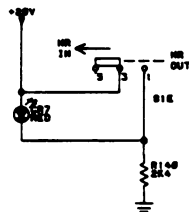
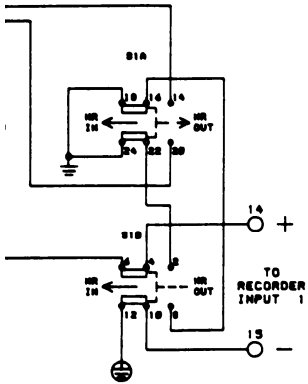
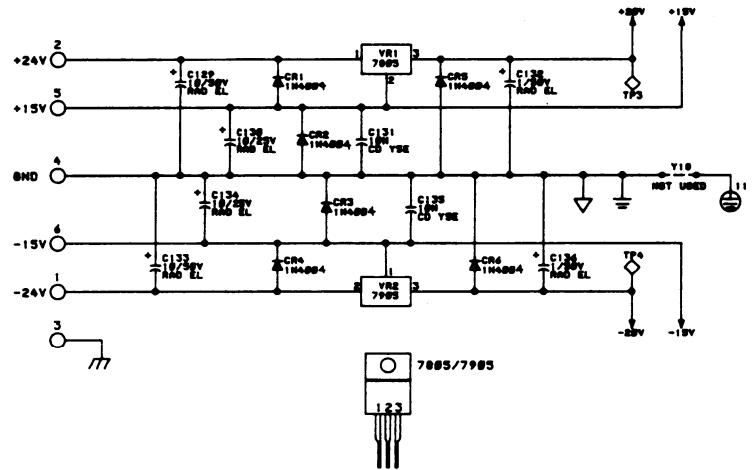
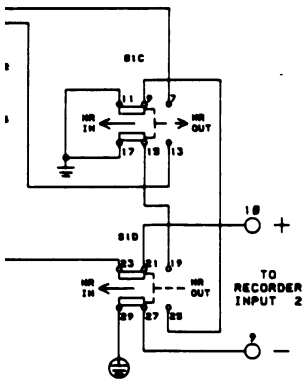


CHANNEL
1



CHANNEL
2



NOTES:

1. ALL RESISTORS ARE EXPRESSED IN OHMS AND ARE 1/4W, 5%.
2. ALL CAPACITORS ARE EXPRESSED IN MICROFARADS.
3. ALL MYLAR CAPACITORS ARE +/-5%.
4. ALL NPO AND S2L CERAMIC DISC CAPACITORS ARE +/-5%.
5. ALL YSE CERAMIC DISC CAPACITORS ARE +/-10%.
6. ALL POLYPROPYLENE CAPACITORS ARE +/-2.5%.
7. ALL RADIAL ELECTROLYTIC CAPACITORS ARE +/-20% AND ARE LOW LEAKAGE.
8. SELECT A 10 MFD ELECTROLYTIC CAPACITOR (C26 AND C126) WITH SELECTION PROCEDURE 10005 GROUP A OR B.
9. SELECT RESISTOR (R30 AND R130) WITH SELECTION PROCEDURE 10002 GROUP A OR B.
10. ▽ DENOTES GROUNDS ARE TIED CLOSELY TOGETHER AND RETURN TO CENTRAL GROUND SEPARATELY.