

DMR12

Schematics

Klark Teknik Building
Walter Nash Road
Kidderminster
Worcestershire
DY11 7HJ

Tel: +44 (0) 1562 741515

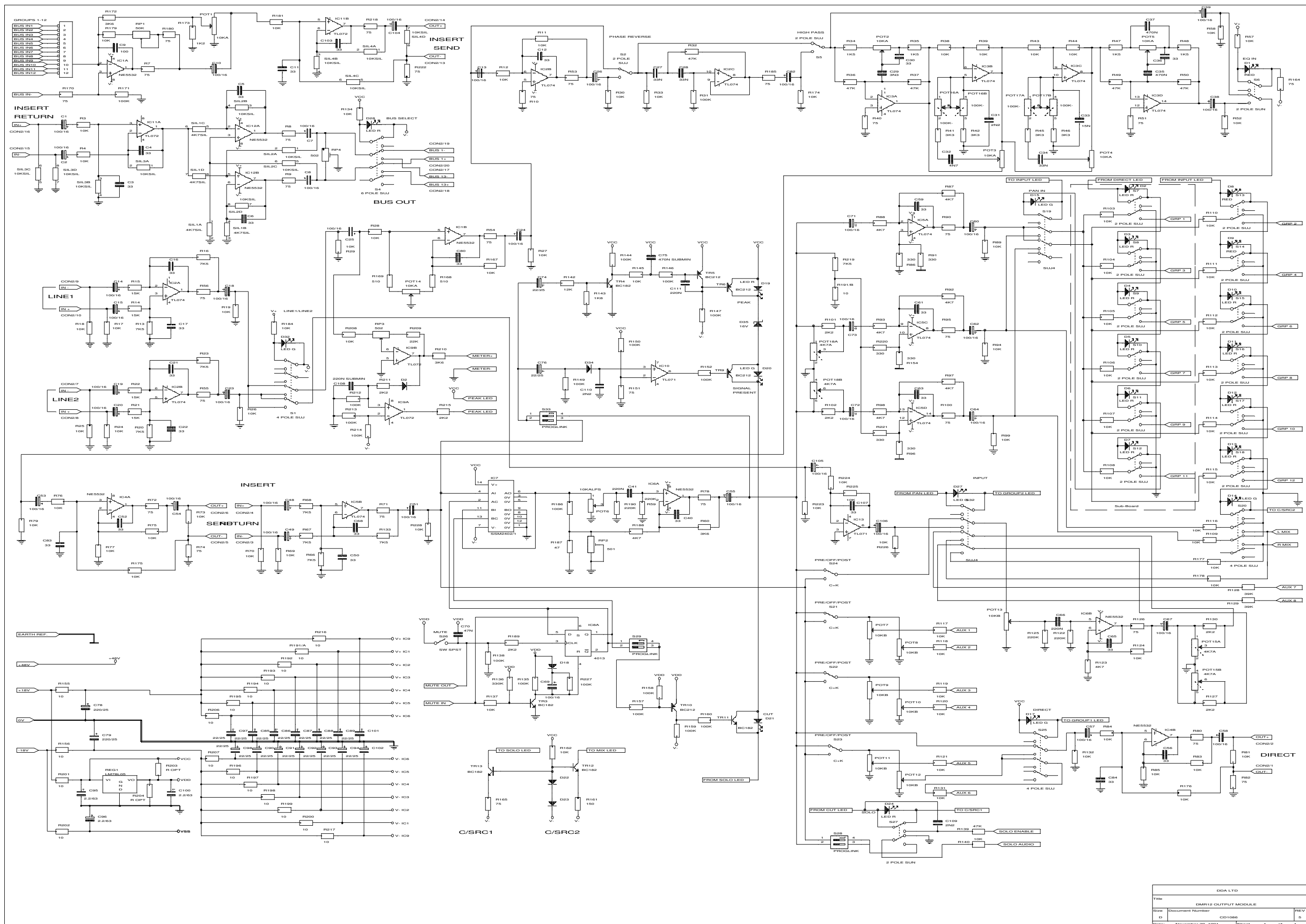
Fax: +44 (0) 1562 745371

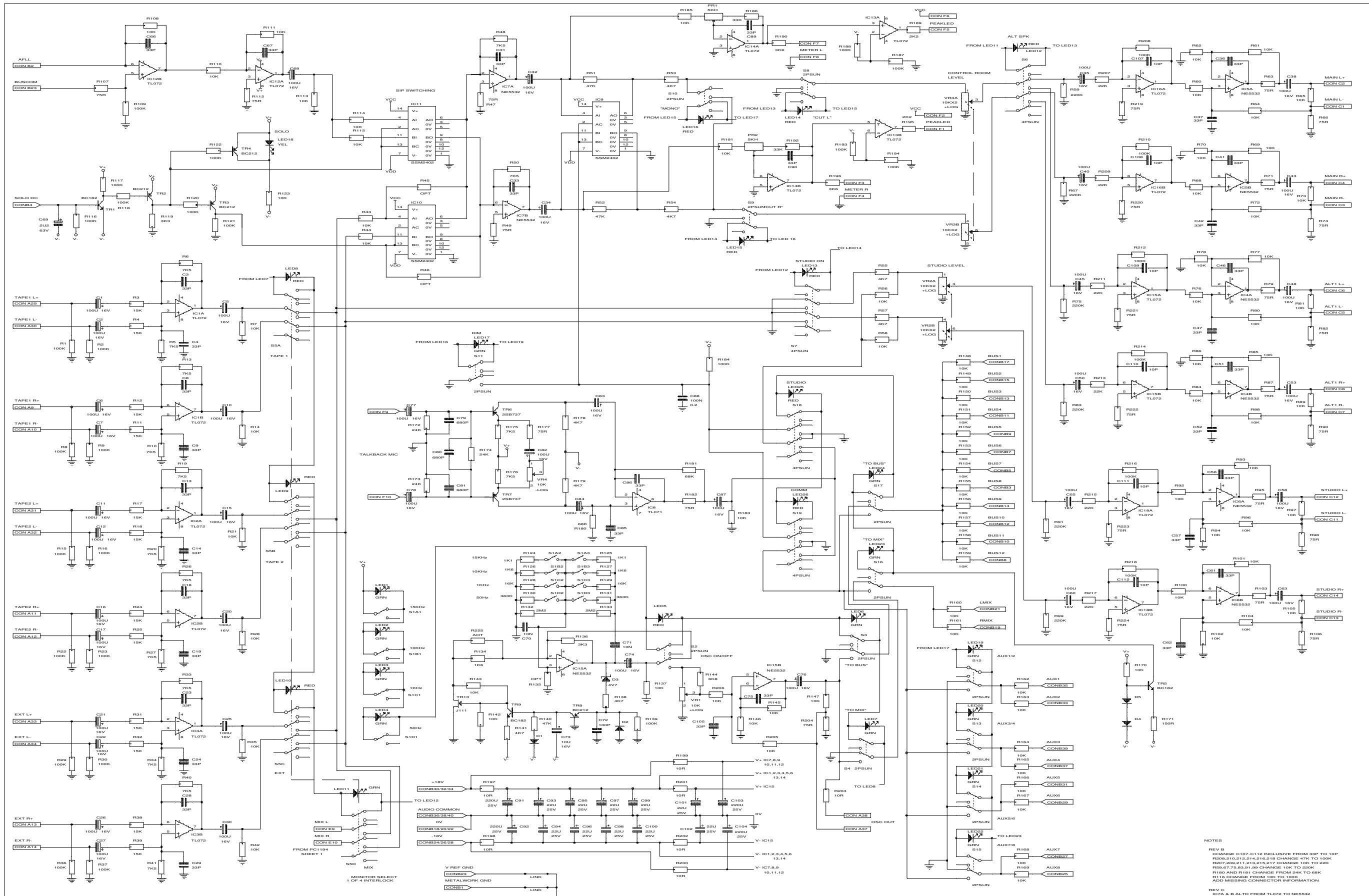
Email: info@uk.telex.com

Website: www.ddaconsole.com

DMR12 Schematics
© Telex Communications (UK) Limited

In line with the company's policy of continual improvement, specifications and function maybe subject to change without notice. This Operator Manual was correct at the time of writing. E&OE.



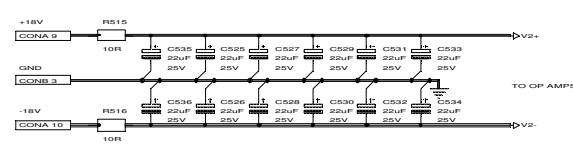
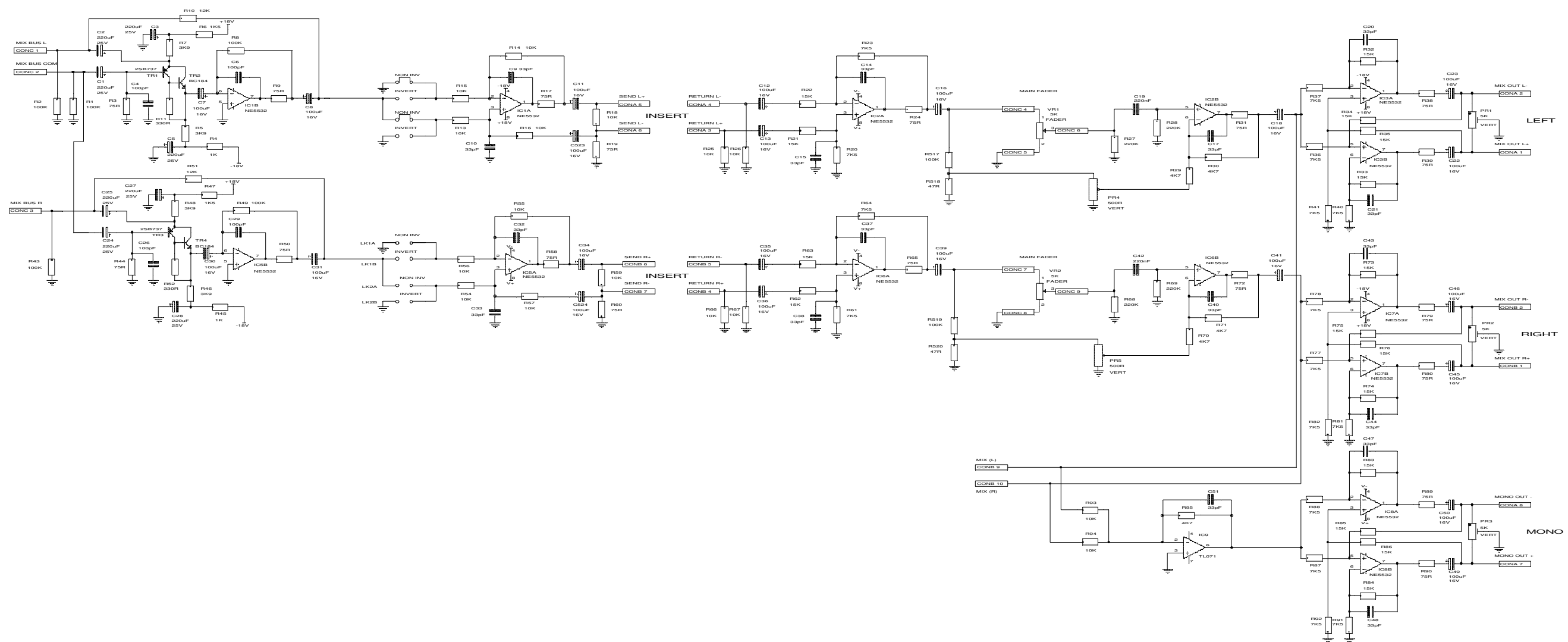


NOTES

REV B
 CHANGE C107-C112 INCLUSIVE FROM 33P TO 10P
 R208, R101, R121, R121, R121 CHANGE 47K TO 100K
 R207, R209, R111, R131, R151, R17 CHANGE 10K TO 22K
 R207, R209, R111, R131, R151, R17 CHANGE 10K TO 22K
 R180 AND R181 CHANGE FROM 24K TO 68K
 R116 CHANGE FROM 10K TO 100K
 ADD MISSING CONNECTOR INFORMATION

REV C
 IC7A & B ALSO FROM TL072 TO NE5532

DDA LTD			
UNIT 1, INWOOD BUSINESS PARK			
WHITTON RD			
HORNBLLOW ROAD			
TOWSEB, ENGLAND			
Title	DDB MONITOR MODULE		
Size	Document Number	REV	
D	CD1087-4	C	
Date	August 4, 1994	Sheet	1 of 1

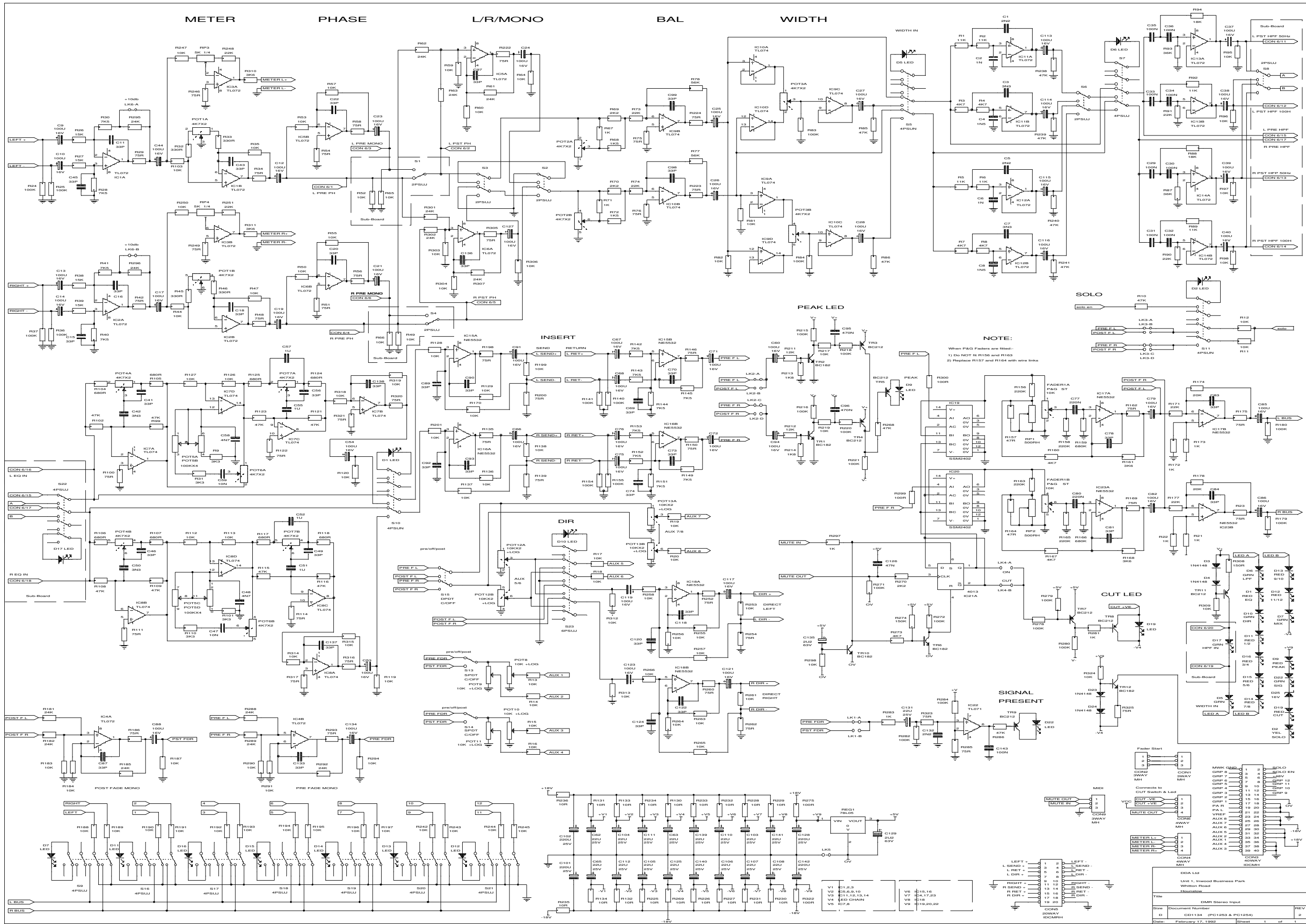


REVISION NOTES:

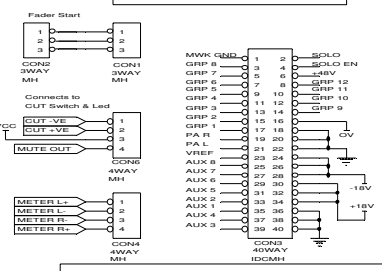
REV 3 R83, R84 WERE 3K4 NOW 10K
 R87, R88 WERE 7K5 NOW 1K
 R63, R84, R85, R86 WERE 15K NOW 33K

REV 4 R517, R519 WERE 220K NOW 100K
 R10, R51 WERE 10K NOW 12K
 C3 AND C4 REFS REVERSED
 R87, R88 WERE 1K NOW 7K5
 R83, R84, R85, R86 WERE 33K NOW 15K
 ADDED IC9

DIDA LTD UNIT 1, IRWOOD BUSINESS PK WHITTON RD HOUNSLOW, MIDDLESEX TW9 3EL, ENGLAND		
Title	PC1104 - DMR MONITOR SUB	REV
Doc Number	CD1091	4
Date	March 24, 1992	Sheet 1 of 1



NOTE:
 When P&G Factors are Used:
 1) Do NOT R1156 and R1163
 2) Replace R1157 and R1164 with wire links

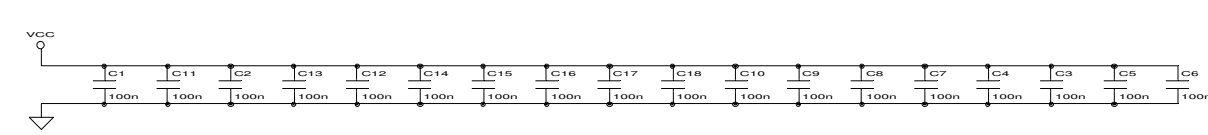
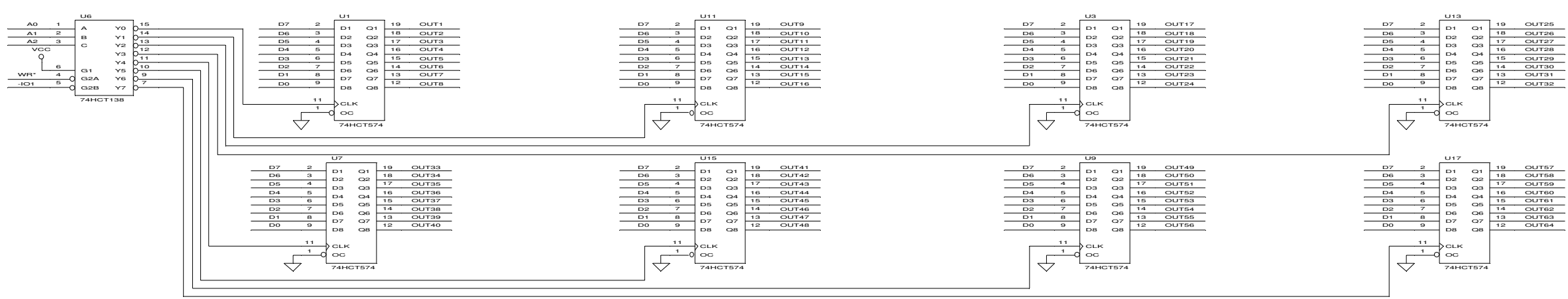
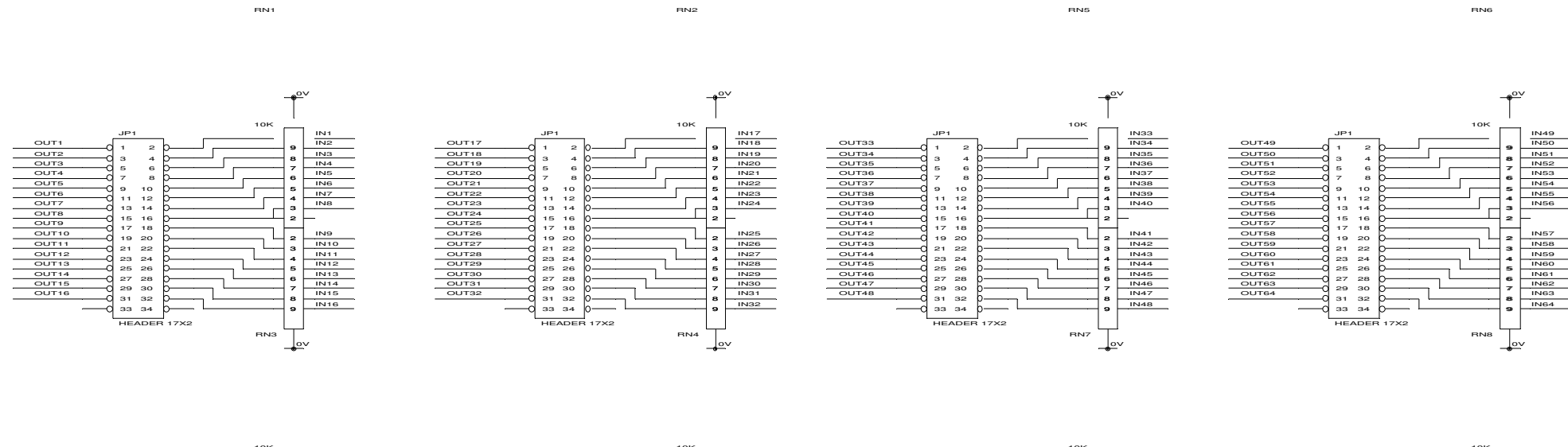
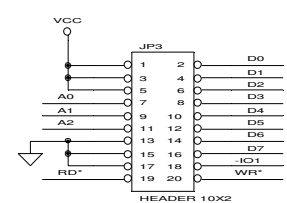
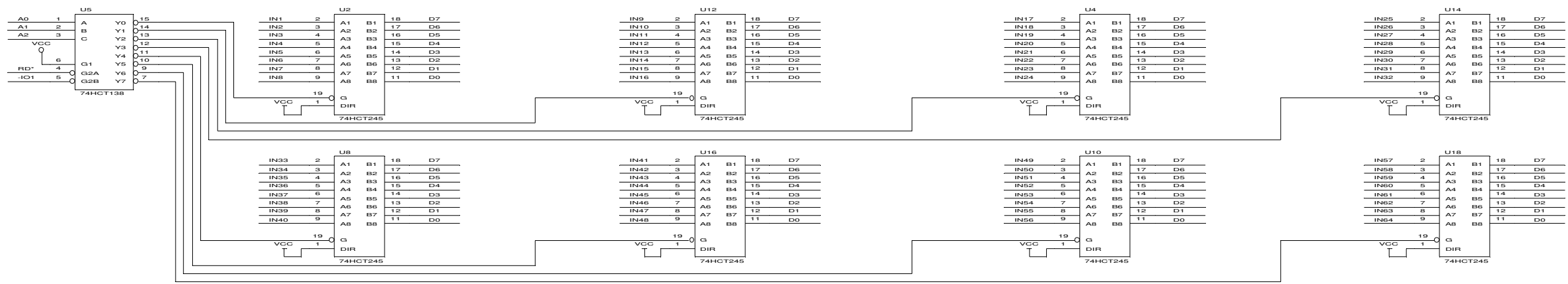


DDA List

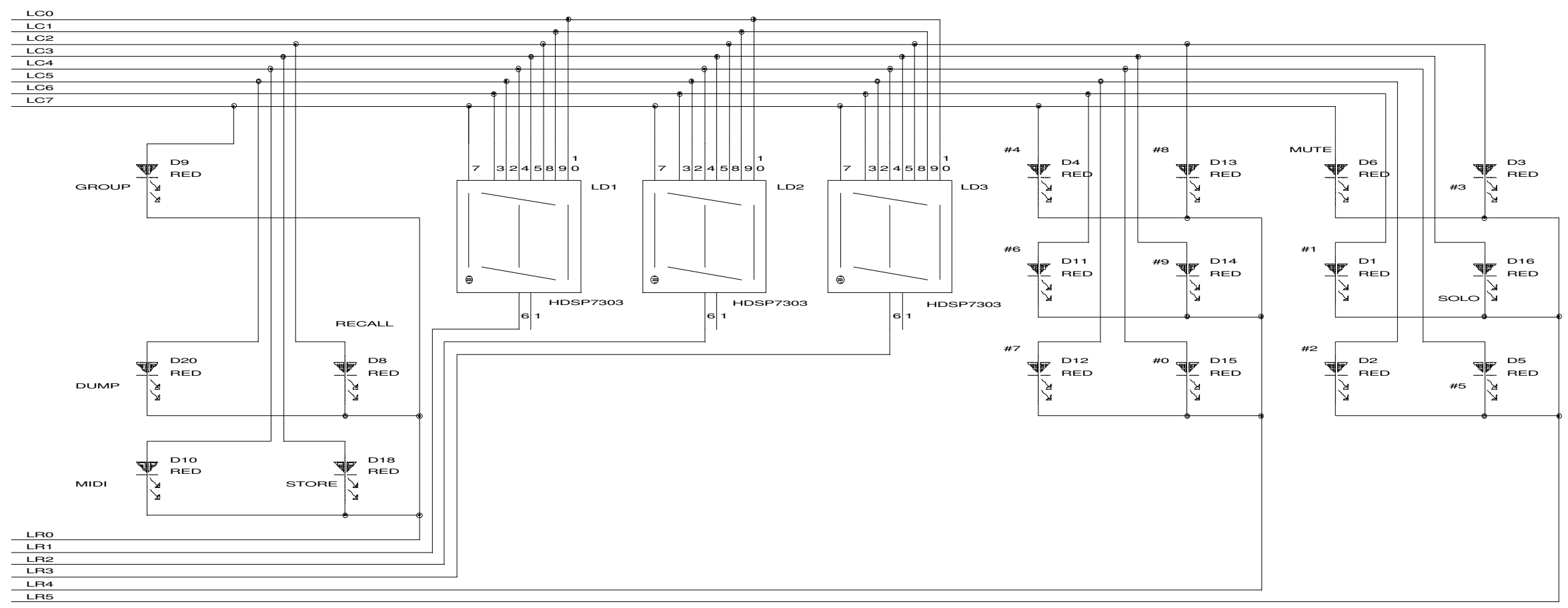
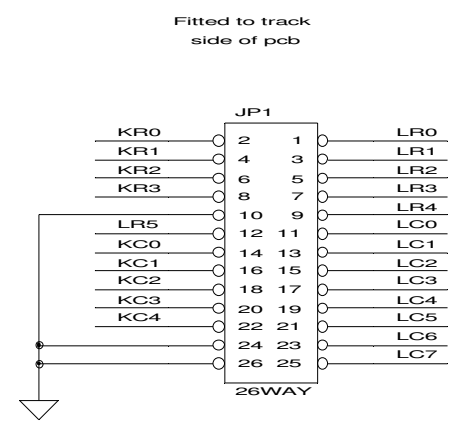
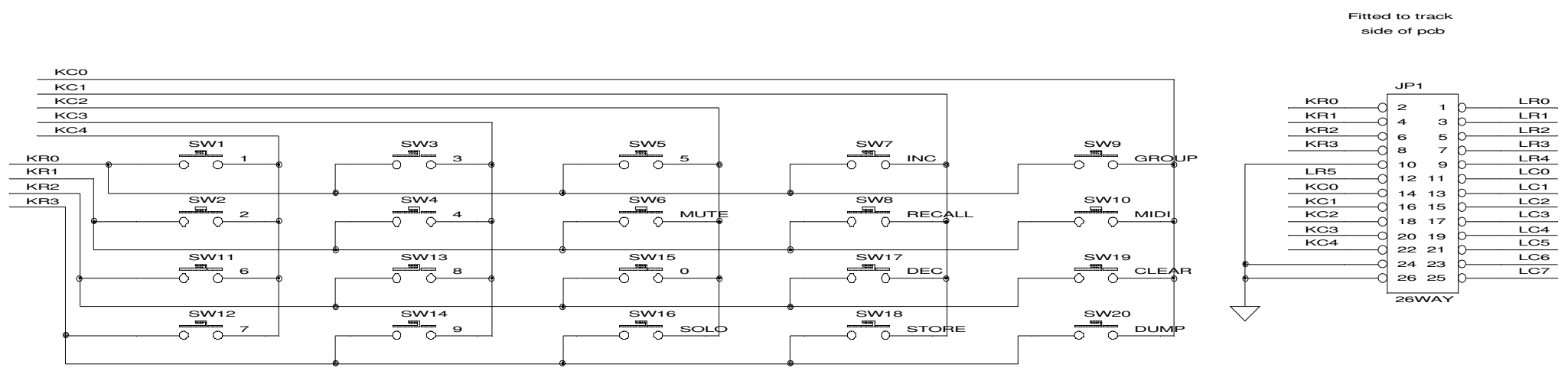
Unit 1, Inwood Business Park
 Whitton, West
 Middlesex

Rev	Description	Date
1	DDA Stereo Input	February 17, 1992
2	CD1134 (PC1253 & PC1254)	

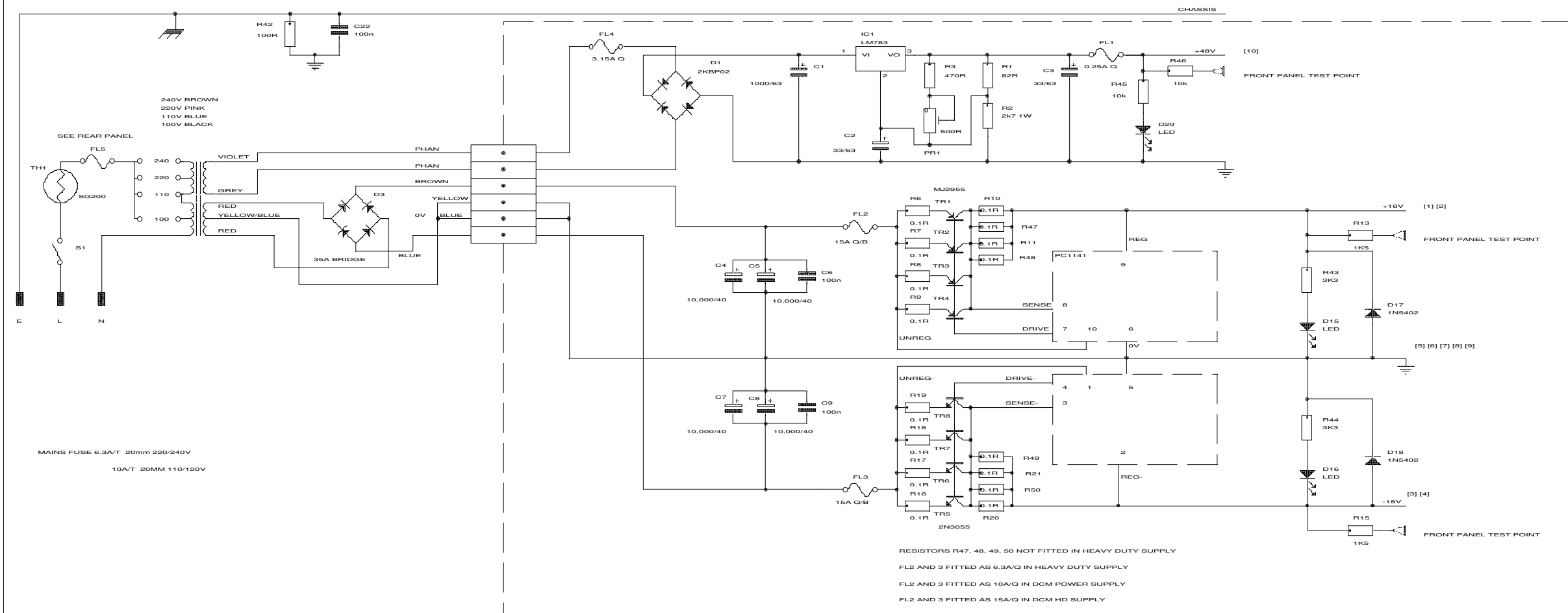
Sheet 1 of 1



DDA LTD	
UNIT 1, INWOOD BUSINESS PARK	
WHITTON ROAD	
HOUNSLOW	
MIDDLESEX TW3 2EB	
Title: MIDI I/O PCB	
Size: C	Document Number: CD1130-2
Date: September 24, 1991	Sheet of 1

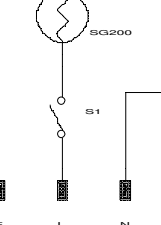


DDA, HOUNSLOW, MIDDX, TW3 2EB ENGLAND.		
Title MIDI DISPLAY AND KEYBOARD		
Size B	Document Number CD1131	REV 2
Date: September 21, 1992	Sheet of	1



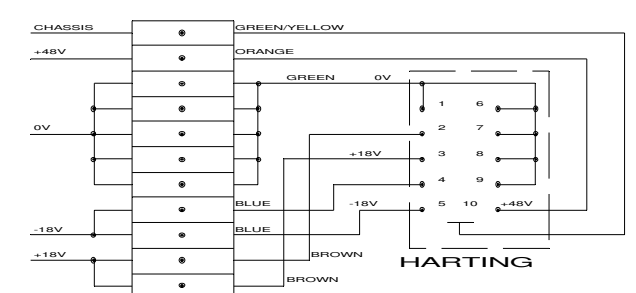
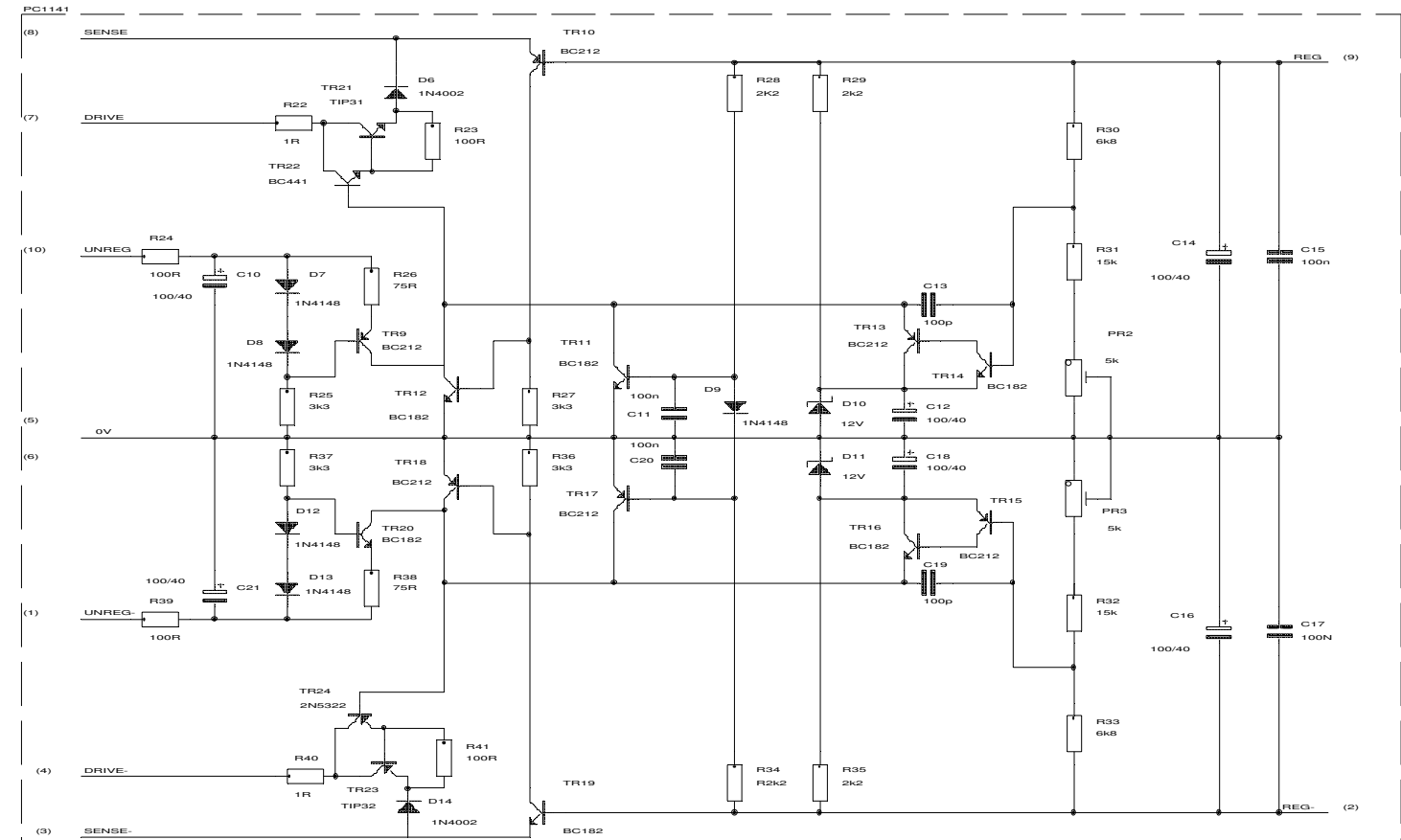
240V BROWN
220V PINK
110V BLUE
100V BLACK

SEE REAR PANEL



MAINS FUSE 6.3A/T 20mm 250/240V
10A/T 20MM 110/120V

RESISTORS R47, 48, 49, 50 NOT FITTED IN HEAVY DUTY SUPPLY
FL2 AND 3 FITTED AS 6.3A/Q IN HEAVY DUTY SUPPLY
FL2 AND 3 FITTED AS 10A/Q IN DCM POWER SUPPLY
FL2 AND 3 FITTED AS 15A/Q IN DCM HD SUPPLY



DDA LTD.			
Title	HD/DCM/DCM HD AUDIO POWER SUPPLY		
Size	Document Number	CD1219-1	REV
C			A
Date:	December 14, 1993	Sheet	1 of 1

