

Forum FOH

Schematics

Klark Teknik Building
Walter Nash Road
Kidderminster
Worcestershire
DY11 7HJ

Tel: +44 (0) 1562 741515

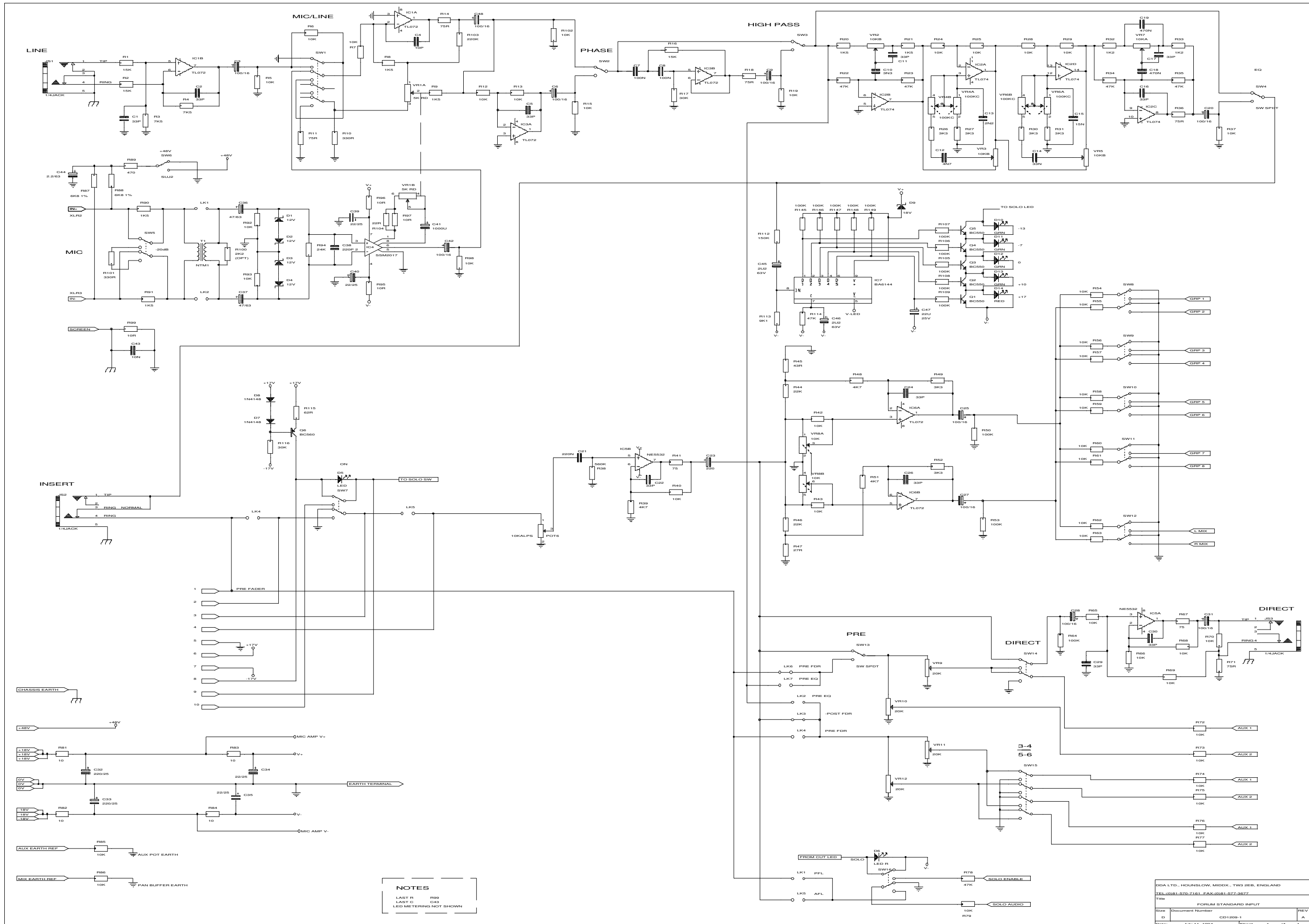
Fax: +44 (0) 1562 745371

Email: info@uk.telex.com

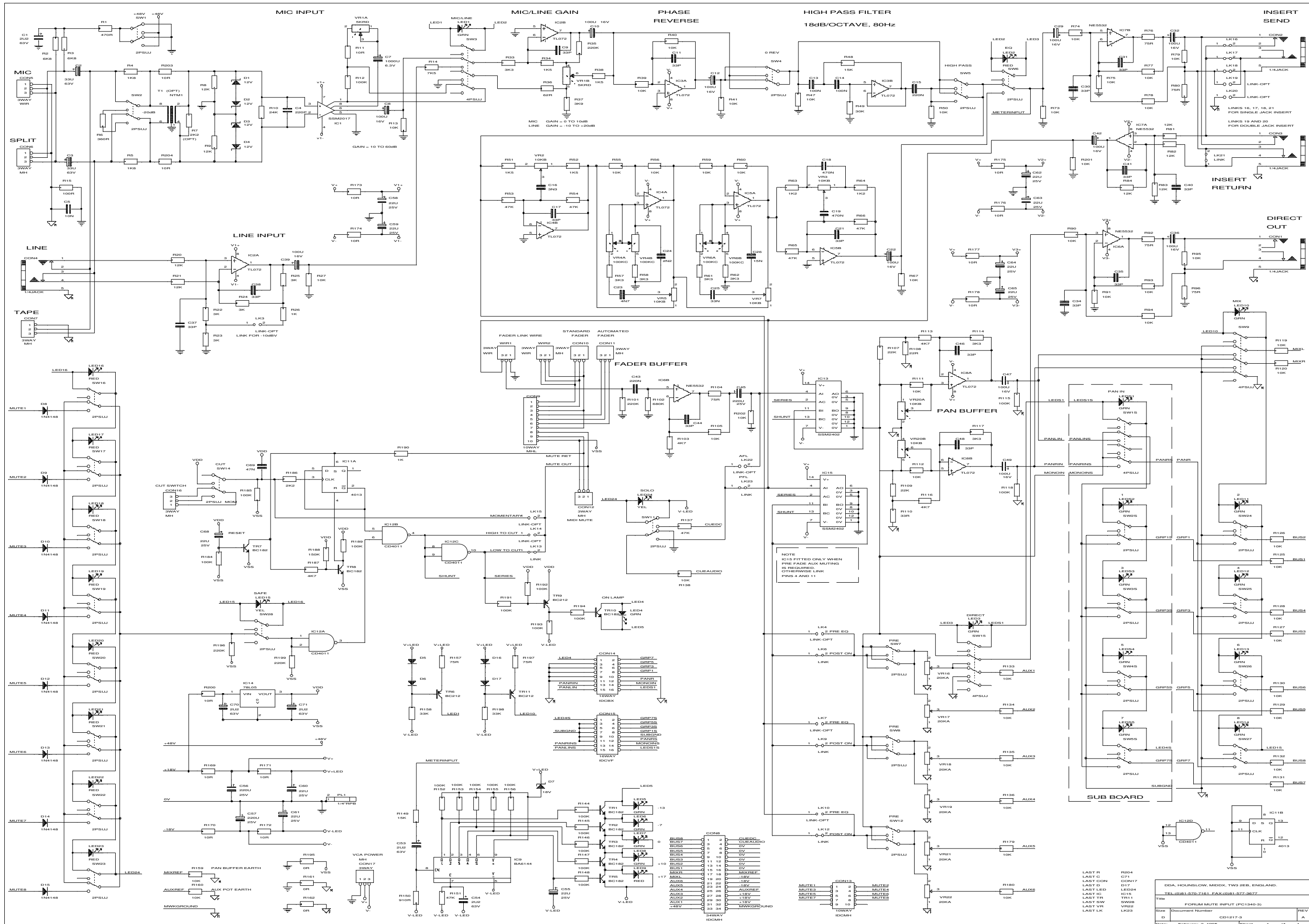
Website: www.ddaconsole.com

Forum FOH Schematics
© Telex Communications (UK) Limited

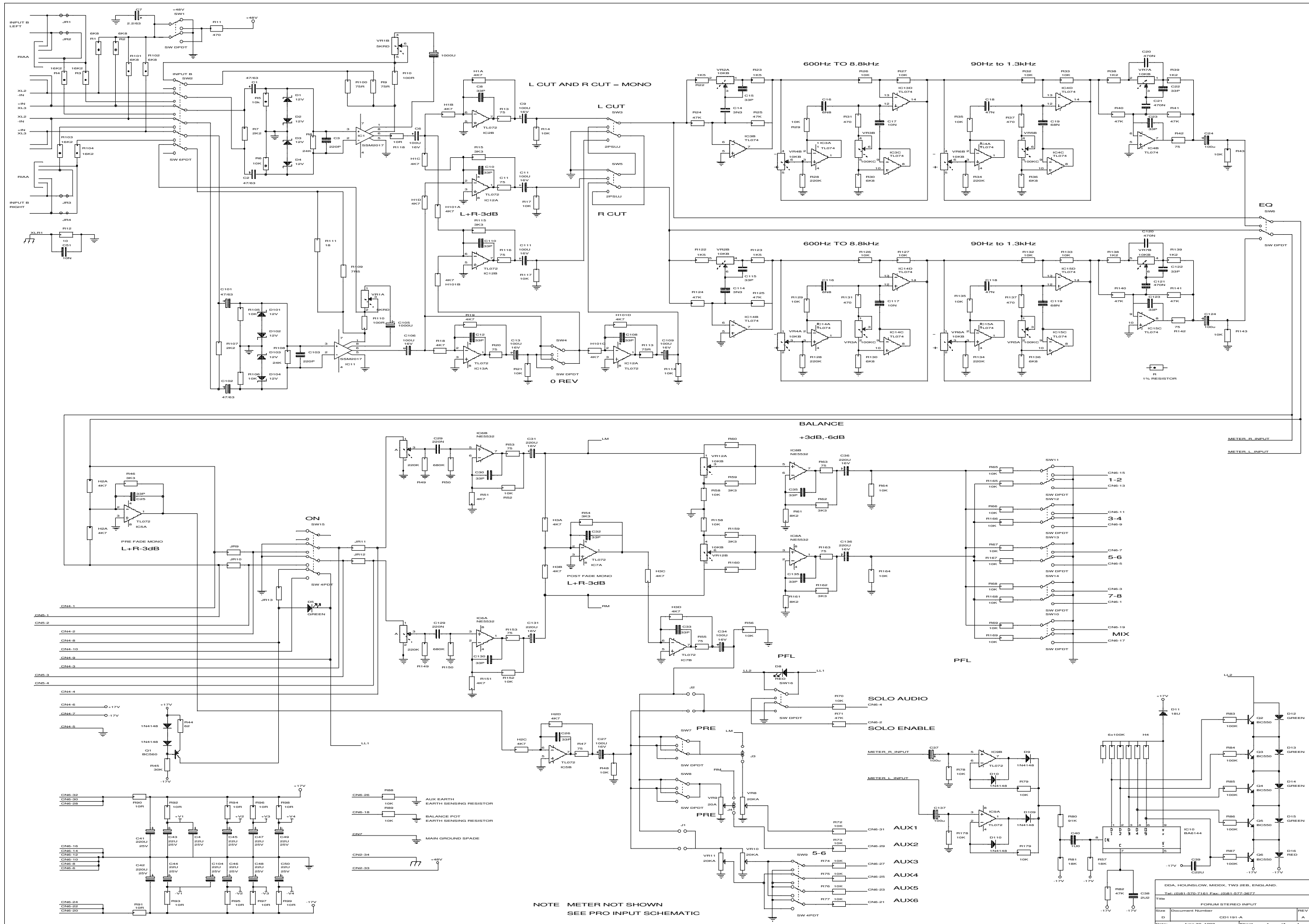
In line with the company's policy of continual improvement, specifications and function maybe subject to change without notice. This Operator Manual was correct at the time of writing. E&OE.



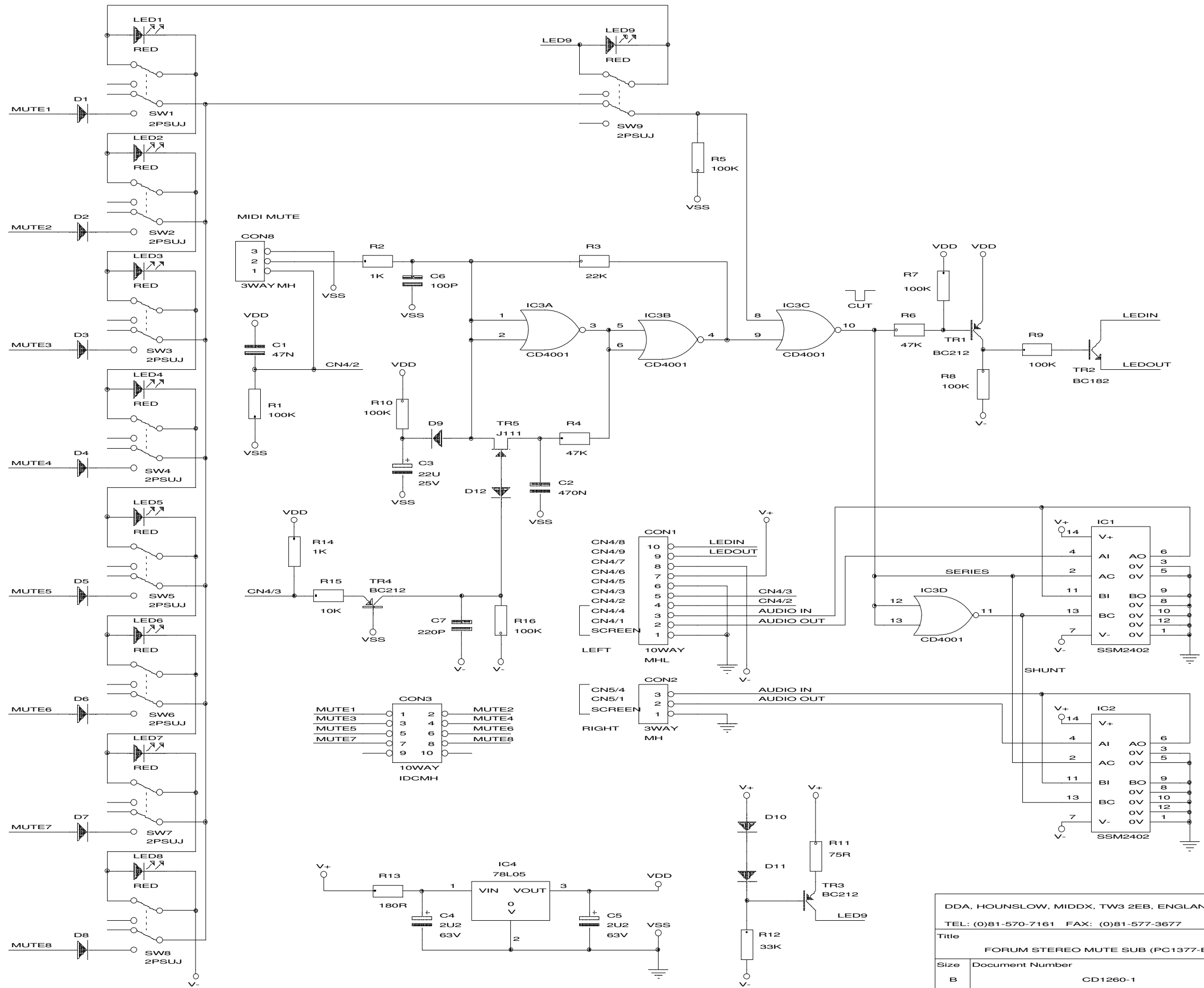
NOTES
 LAST R R99
 LAST C C43
 LED METERING NOT SHOWN



DDA, HOUNSLOW, MDDX, TW5 2EB, ENGLAND.
 TEL: (0181) 570 7161 FAX: (0181) 577 3877
 Title: PCB/LM MUTE INPUT (PC1340-5)
 Size: PCB/LM MUTE INPUT (PC1340-5)
 Doc: Document Number
 D: CD1217-3
 Date: February 2, 1995 Sheet 1 of 1



NOTE METER NOT SHOWN
SEE PRO INPUT SCHEMATIC

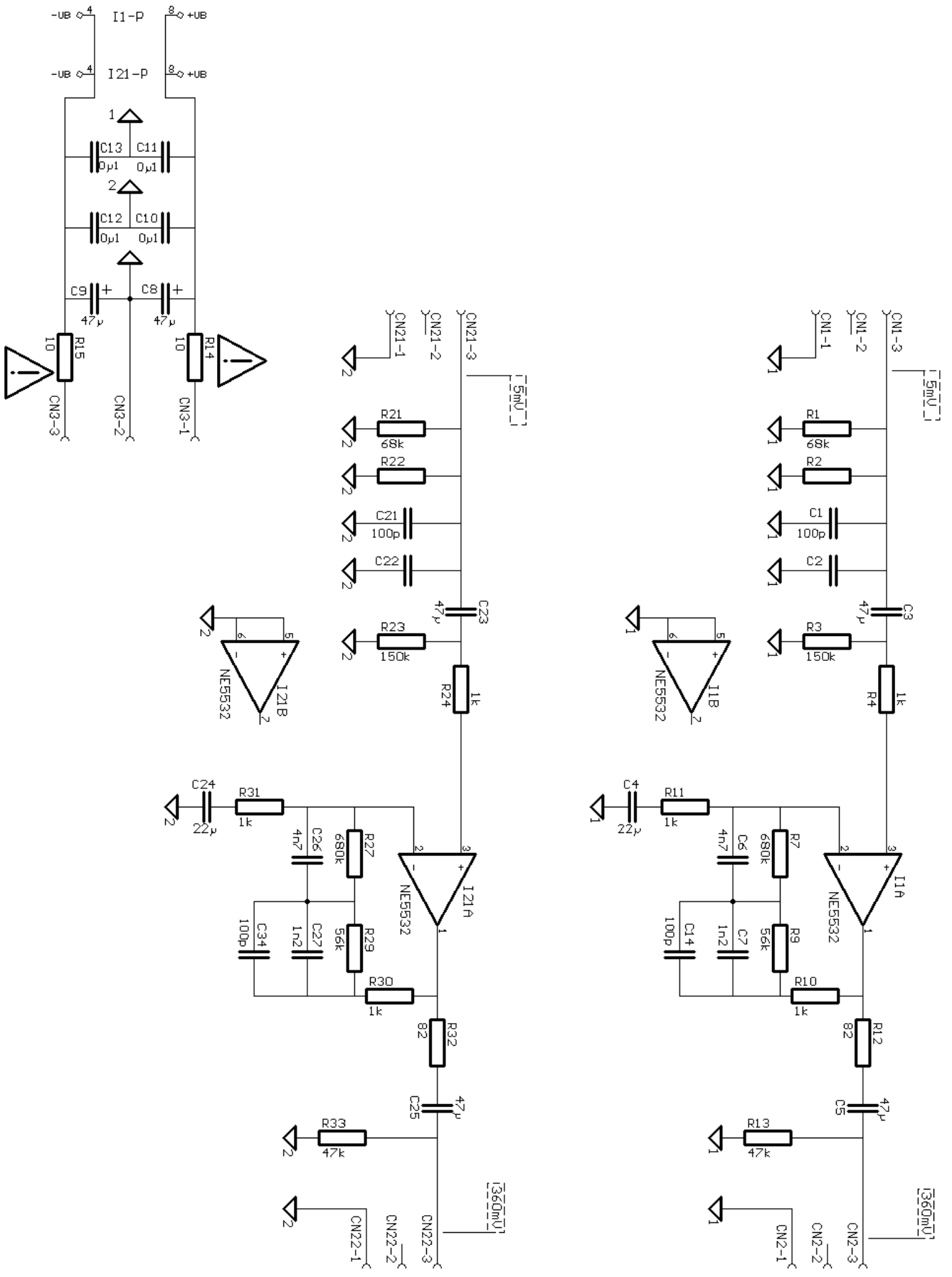


DDA, HOUNSLOW, MIDDX, TW3 2EB, ENGLAND.
 TEL: (0)81-570-7161 FAX: (0)81-577-3677

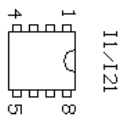
Title
 FORUM STEREO MUTE SUB (PC1377-B)

Size	Document Number	REV
B	CD1260-1	A

Date: January 16, 1995 Sheet 1 of 1



NOTES:
 [] AC VOLTAGE 1000 HZ, MEASURED WITH UTVM
 [!] SAFETY COMPONENT (MUST BE REPLACED BY ORIGINAL PART)



ALTERATIONS RESERVED!

DATE	REVISION	DATE	NAME	APP'D	NAME
11/09/1992		11/09/1992	10:45:58	Last modified	
12/01/1995		11:11:41		Last plotted	
				CHK'D	
				DSG'D	
				APP'D	

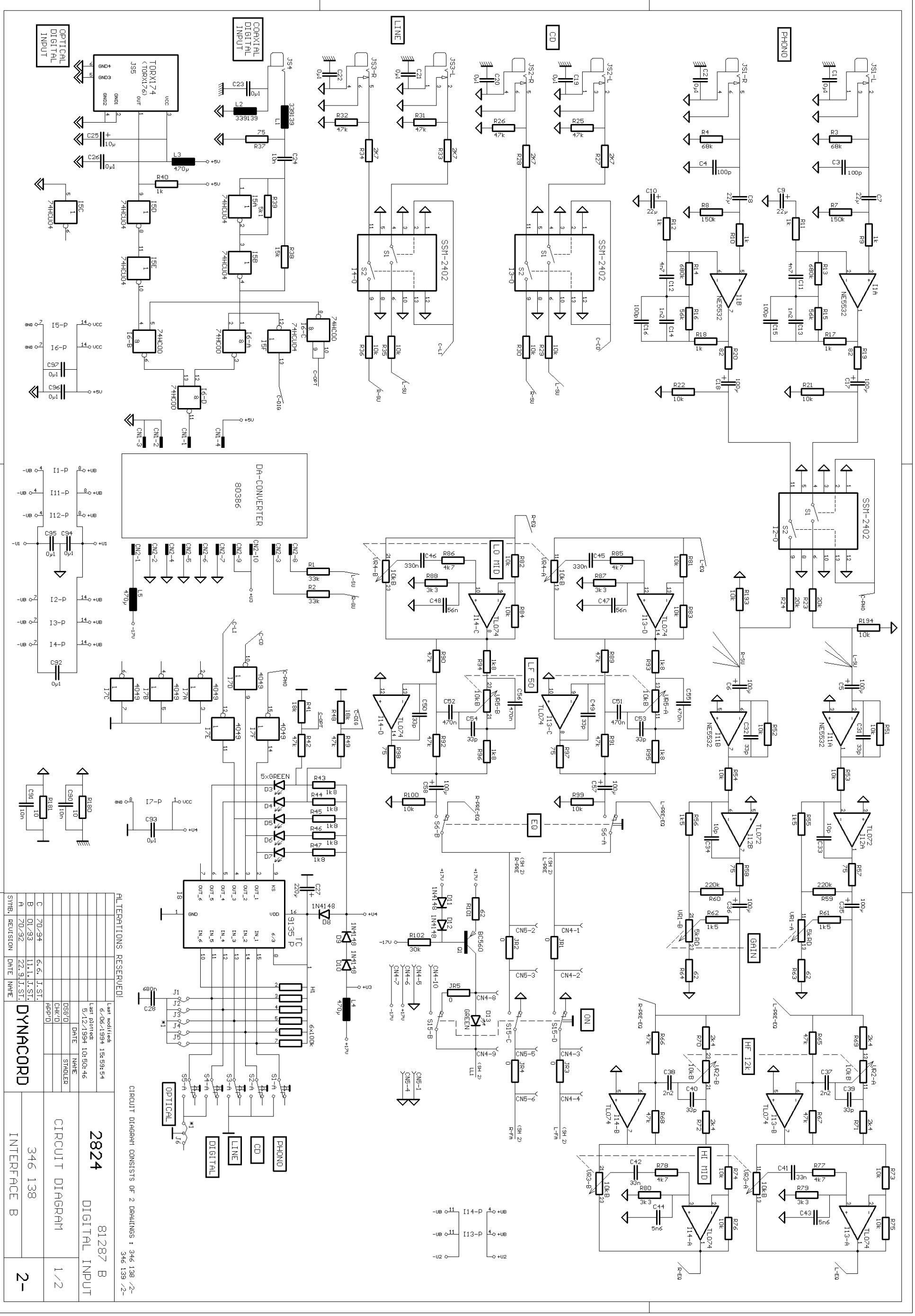
DYNACORD

CIRCUIT DIAGRAM

344 459

INTERFACE

RIAA 81282



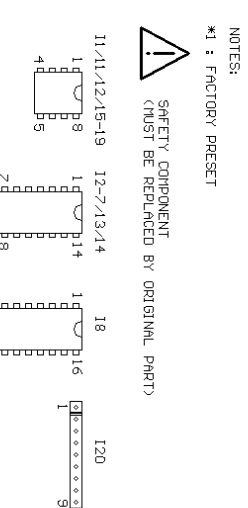
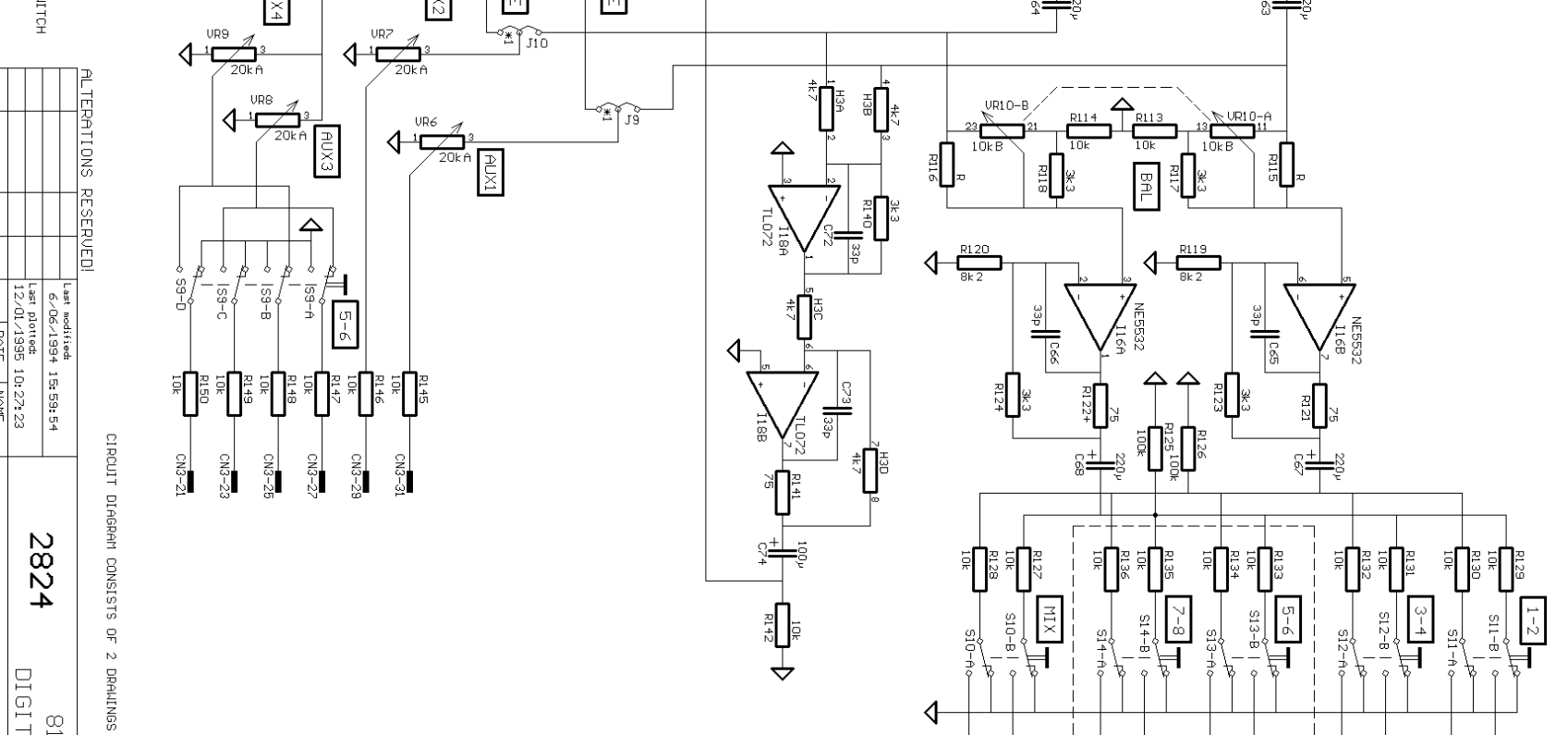
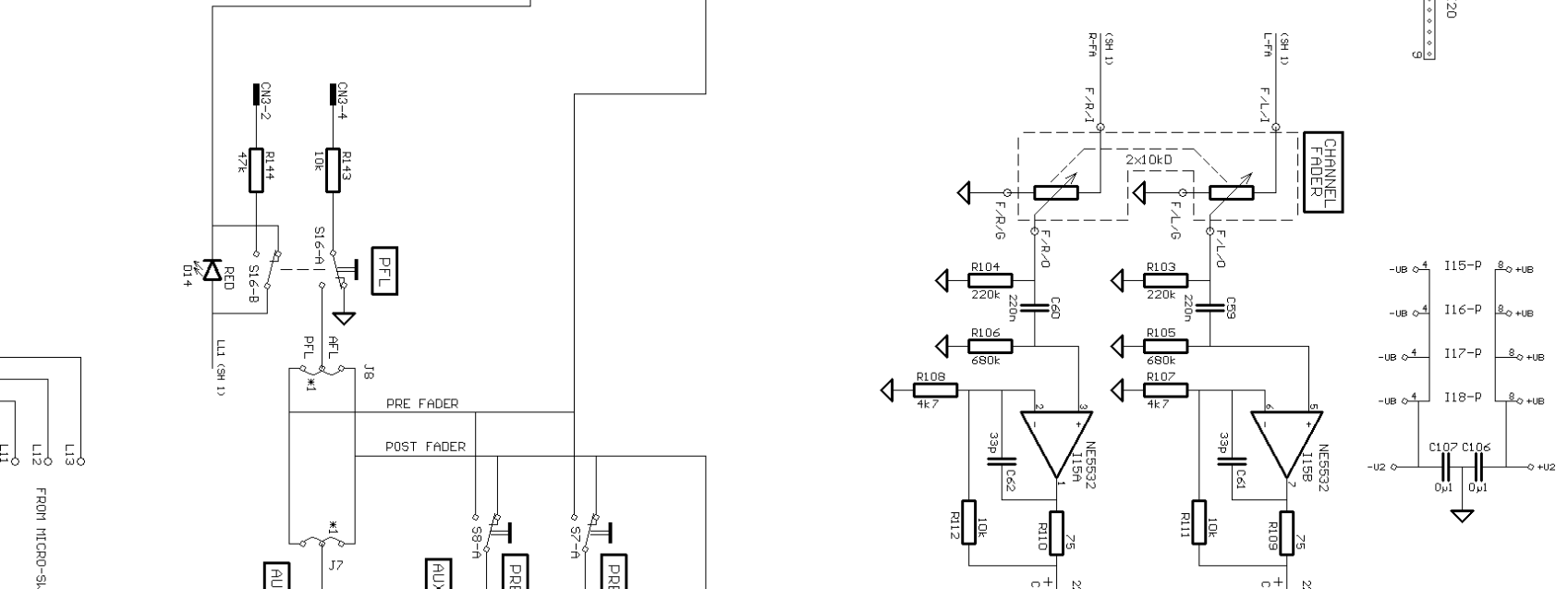
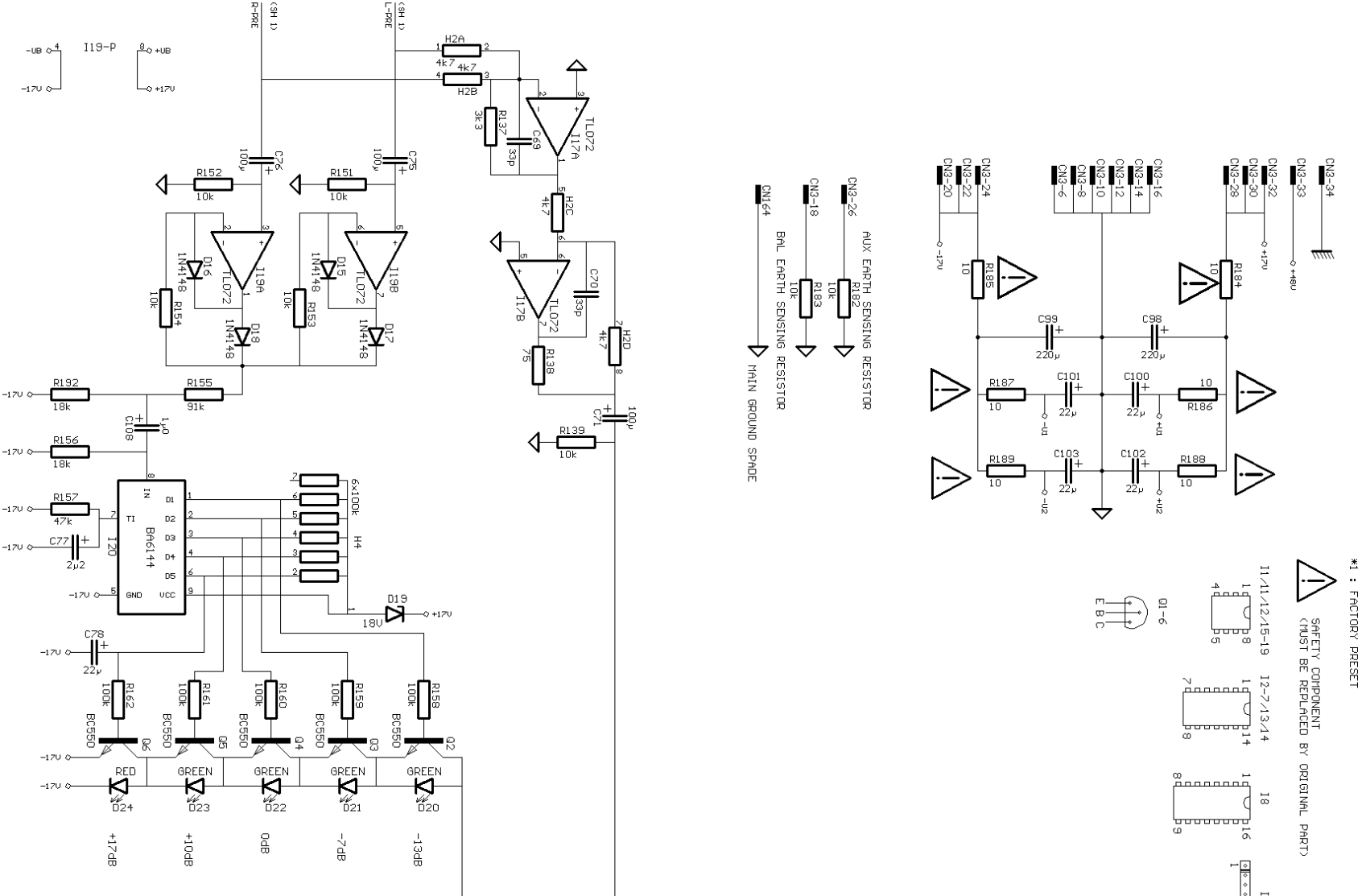
CIRCUIT DIAGRAM CONSISTS OF 2 DRAWINGS + 346 138 / 2-
346 138 / 2-

ALTERATIONS RESERVED!
Last modified 6/06/1994 15:59:54
Last printed 5/12/1994 10:50:46
DATE NAME
OSG/D STRIDER
CHK/D
HP/D

2824 81287 B
DIGITAL INPUT
CIRCUIT DIAGRAM
346 138

DYNACORD
INTERFACE B
1/2
2-

SYMB.	REVISION	DATE	NAME
C	70/94	6/6 J.S.T.	
B	01/93	11/1 J.S.T.	
A	70/92	22/9 J.S.T.	



ALTERATIONS RESERVED!

CIRCUIT DIAGRAM CONSISTS OF 2 DRAWINGS : 346 138 /2-
346 139 /2-

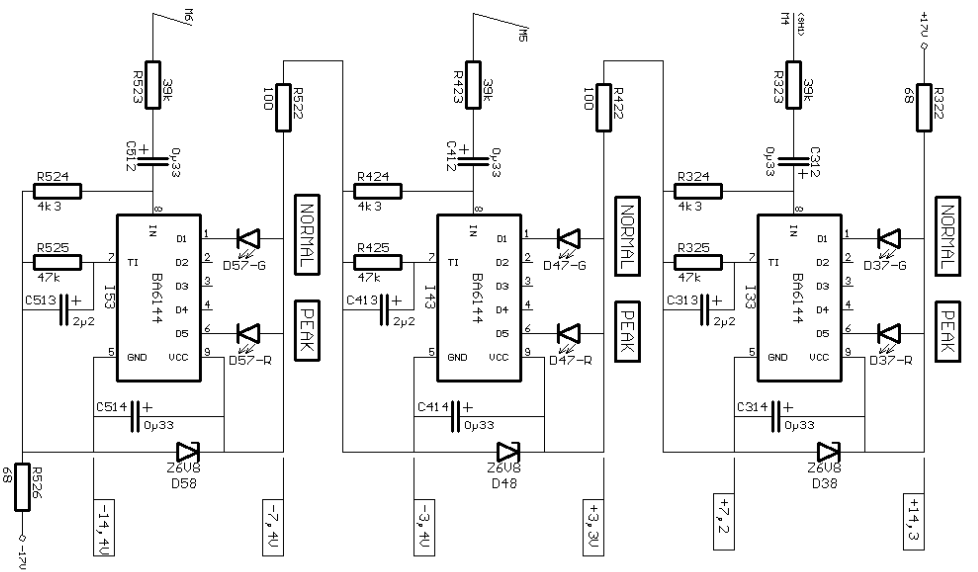
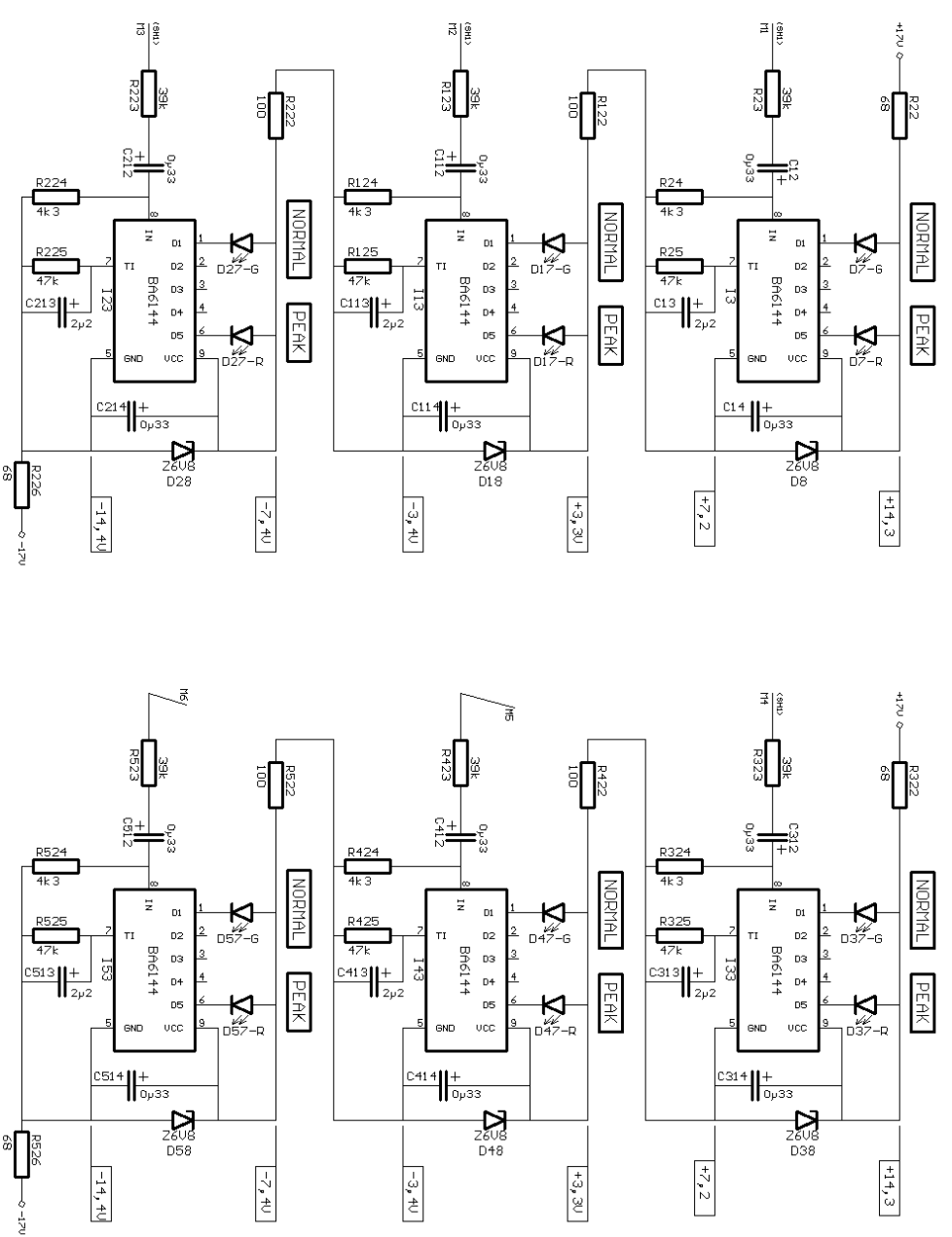
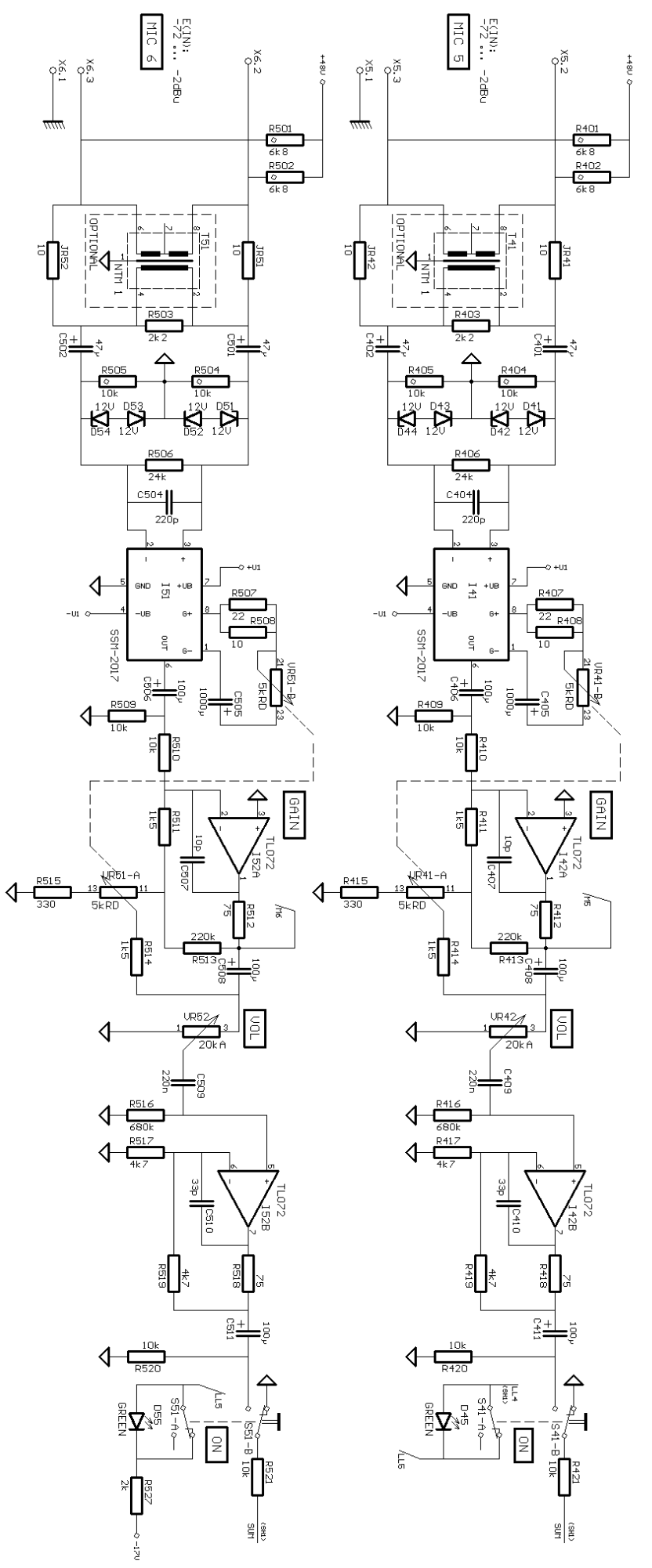
USER	6-06/1994	156 594 54
LAST POINT	12-01/1995	104 274 23
DATE		
NAME		
DWG/ID		
CHK/ID		
APP/D		
SYMBOL		
SYMBOL		
REVISION		
DATE		
NAME		
DYNACORD		
INTERFACE B		

2824 81287
DIGITAL INPUT

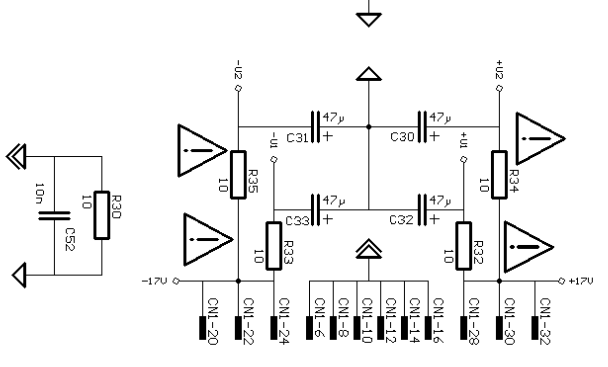
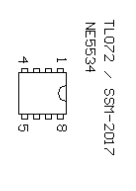
CIRCUIT DIAGRAM

346 139

2/2



NOTES:
 SAFETY COMPONENT (MUST BE REPLACED BY ORIGINAL PART)



CIRCUIT DIAGRAM CONSISTS OF 2 DRAWINGS : 346 174 / 2-
 346 175 / 2-

2816B-L

6 IN 1
 MIC INPUT
 81280

CIRCUIT DIAGRAM

2/2

DYNACORD

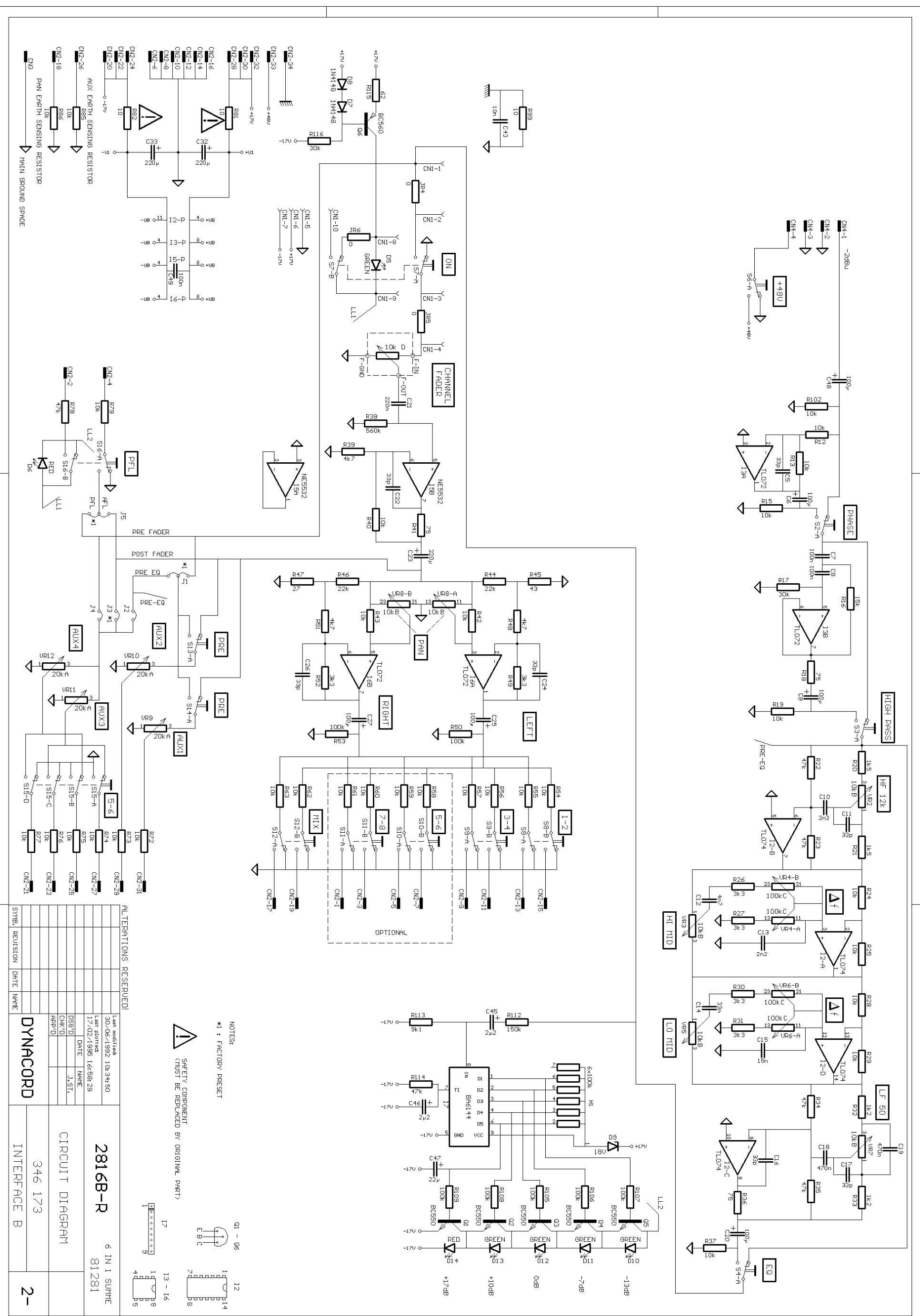
346 175

2-

ALTERATIONS RESERVED!

SYMB.	REVISION	DATE	NAME
A	15/95	13.2. JST	

NAME	DATE	VERSION
Last modified	14/02/1995	8:00:28
Last printed	17/02/1995	15:54:26
DATE	1992	
NAME	DS9012.02	Standard
CHK'D	APP'D	



NOTES:
 *1 : FACTORY PRESET
 SAFETY COMPONENT
 (MUST BE REPLACED BY ORIGINAL PART)

ALTERATIONS RESERVED!

Last modified	30/06/1992	10:34:50
Last printed	17/02/1995	16:58:29
DATE	NAME	
DS6/D	CHK/D	J.S.T.
APP/D		

2816B-R

6 IN 1 SUMME

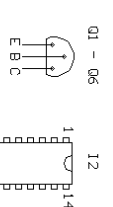
81281

CIRCUIT DIAGRAM

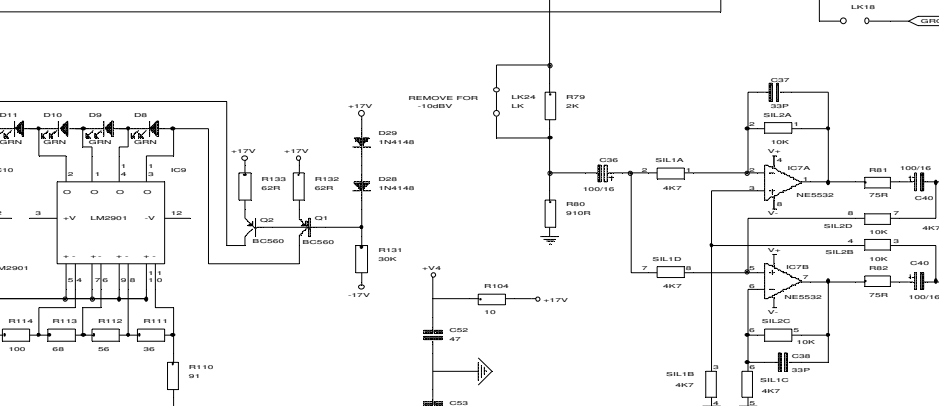
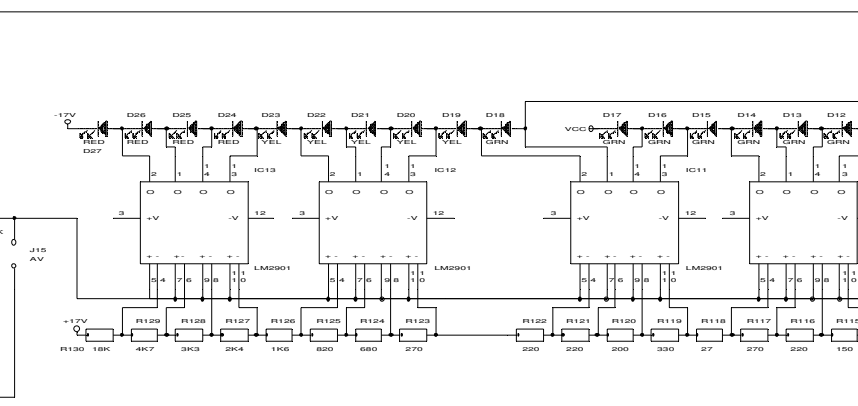
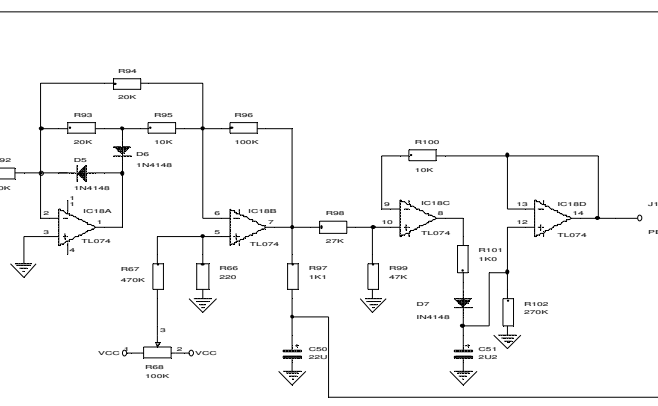
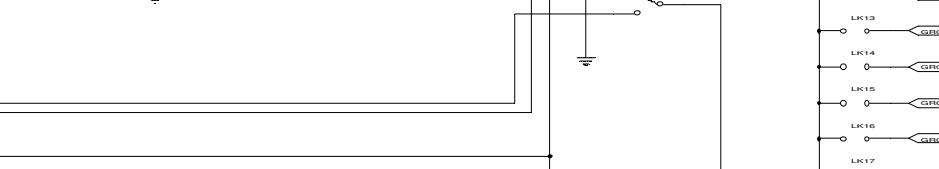
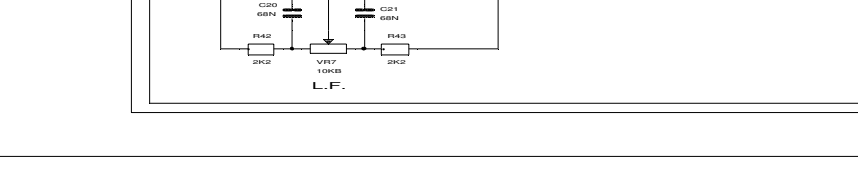
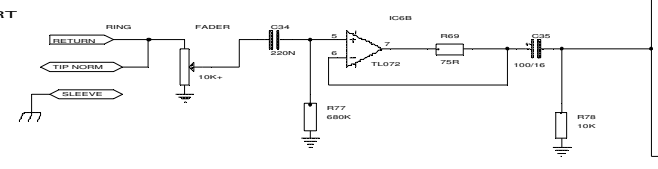
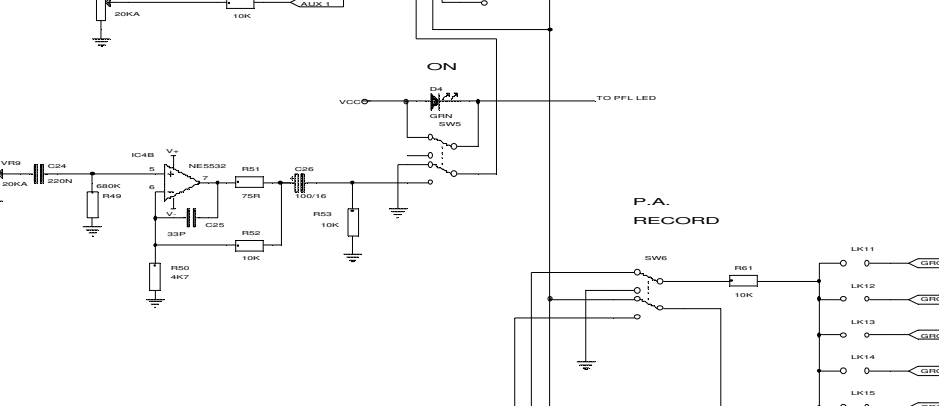
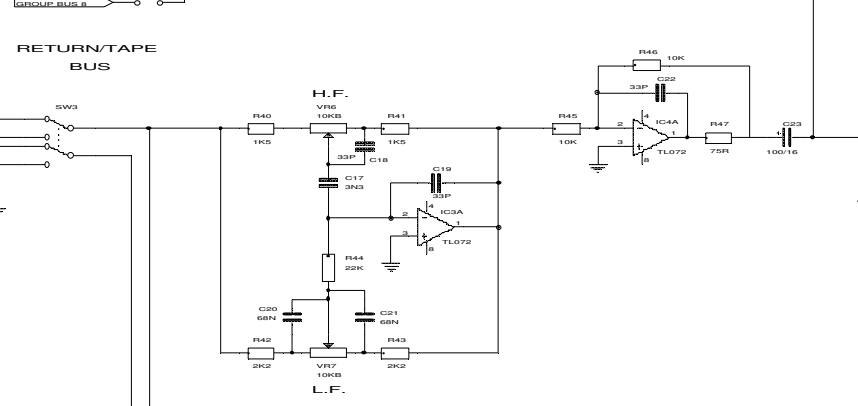
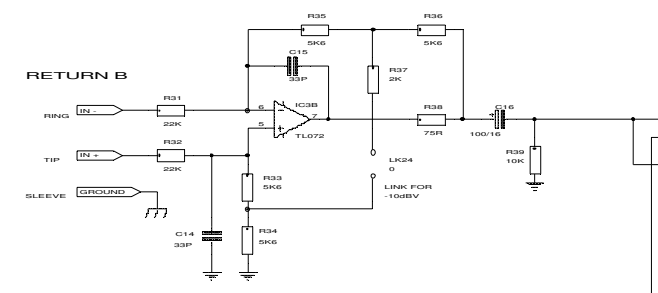
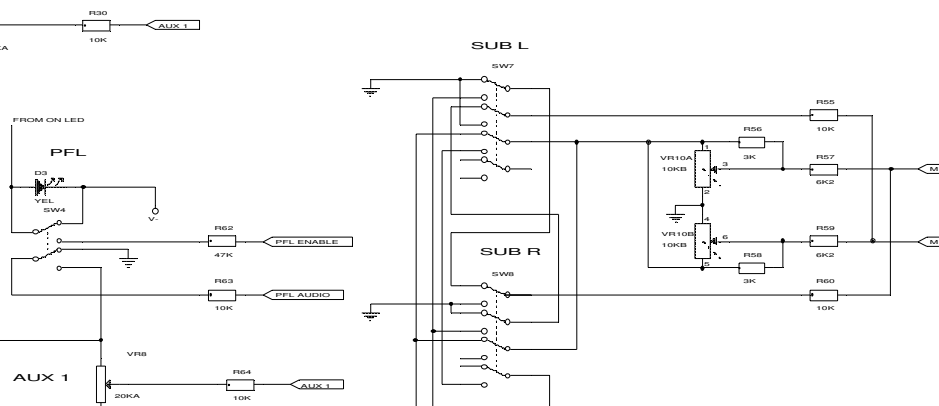
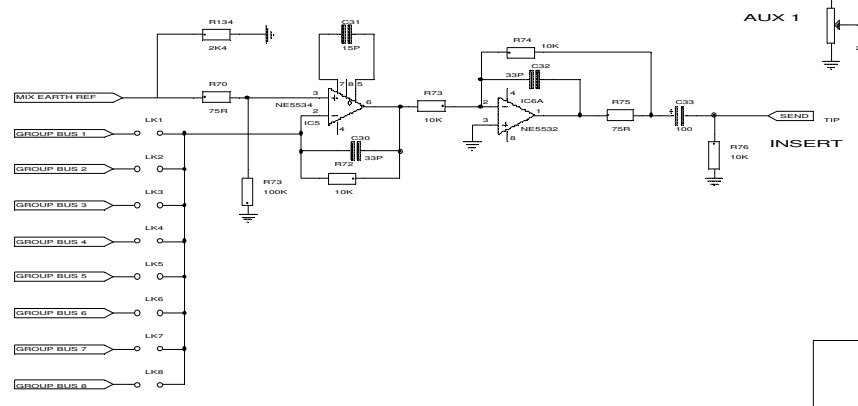
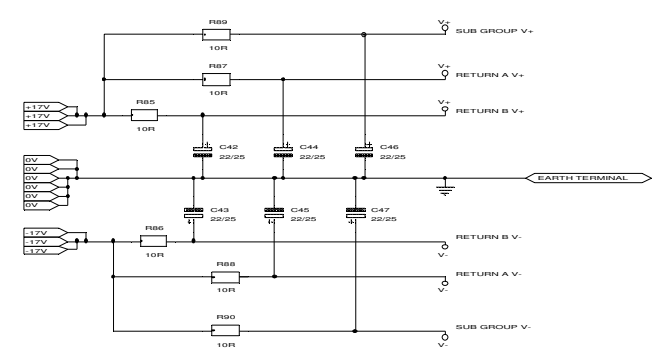
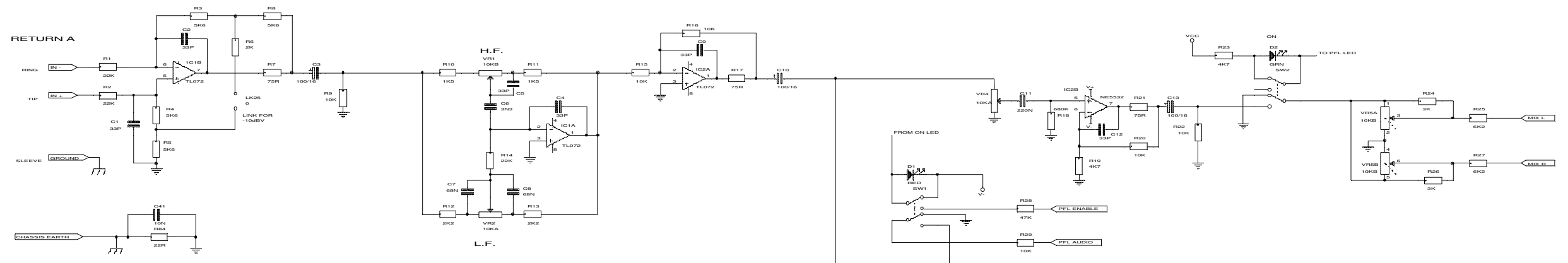
346 173

INTERFACE B

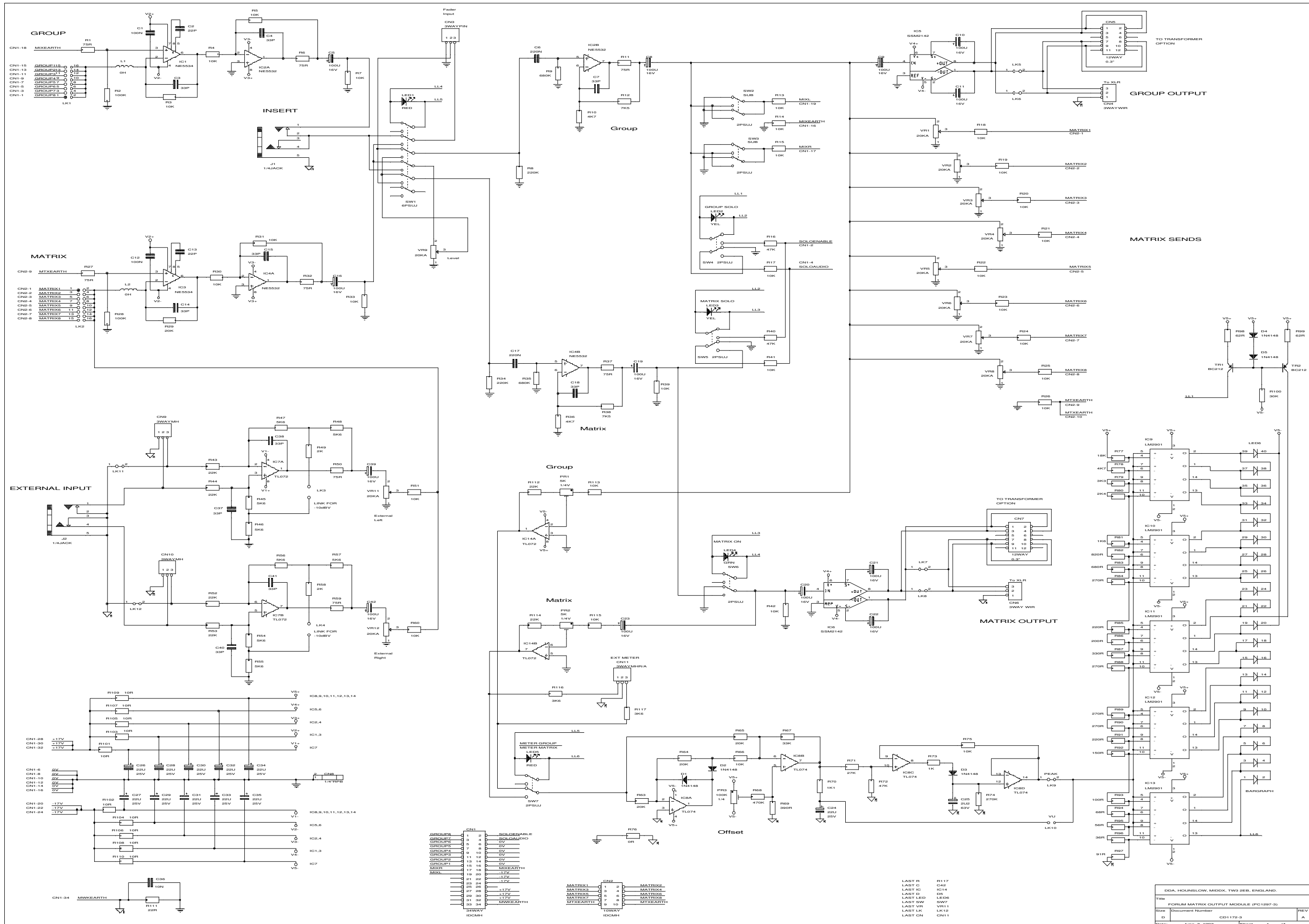
2-



01 - 06
EBC

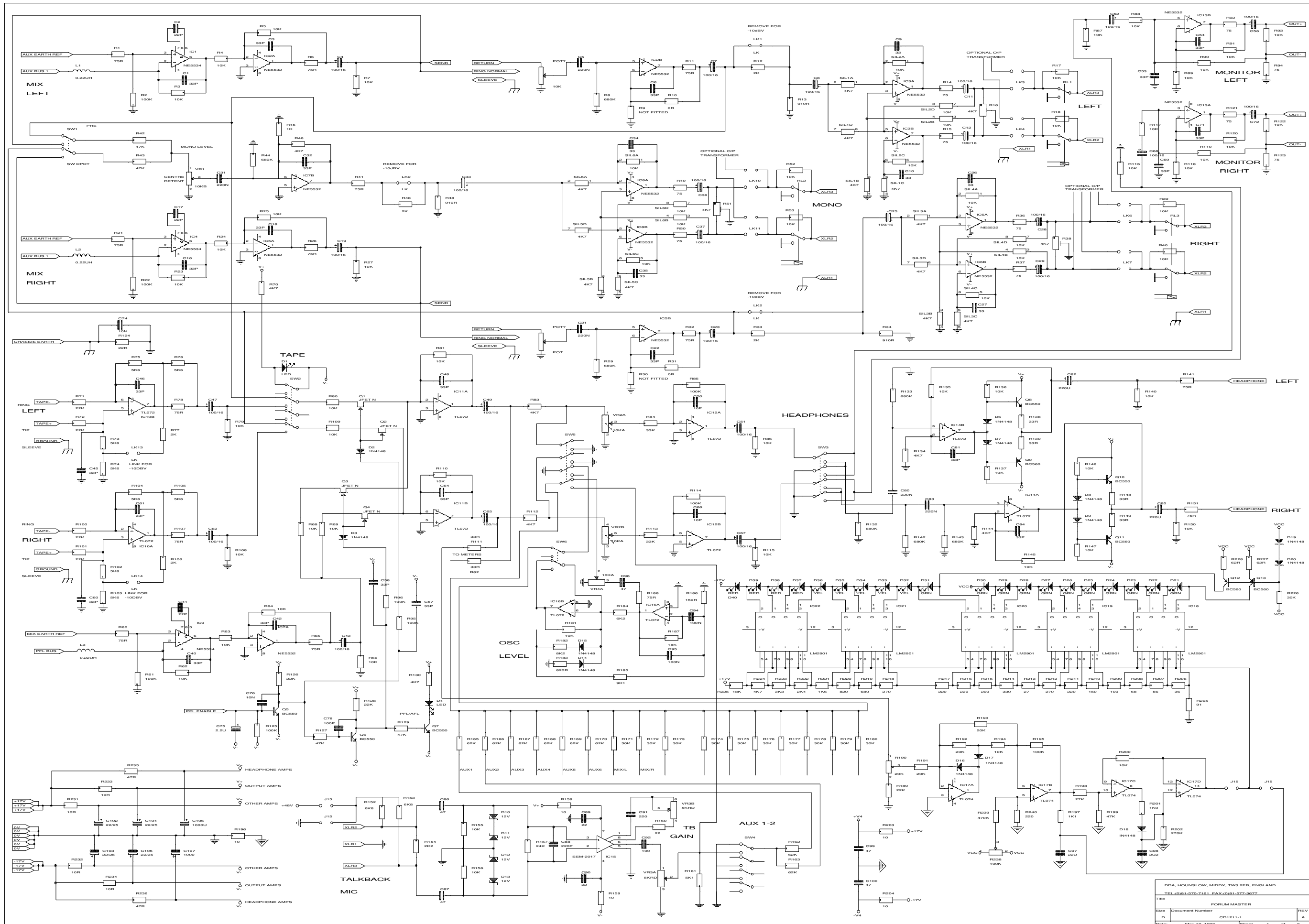


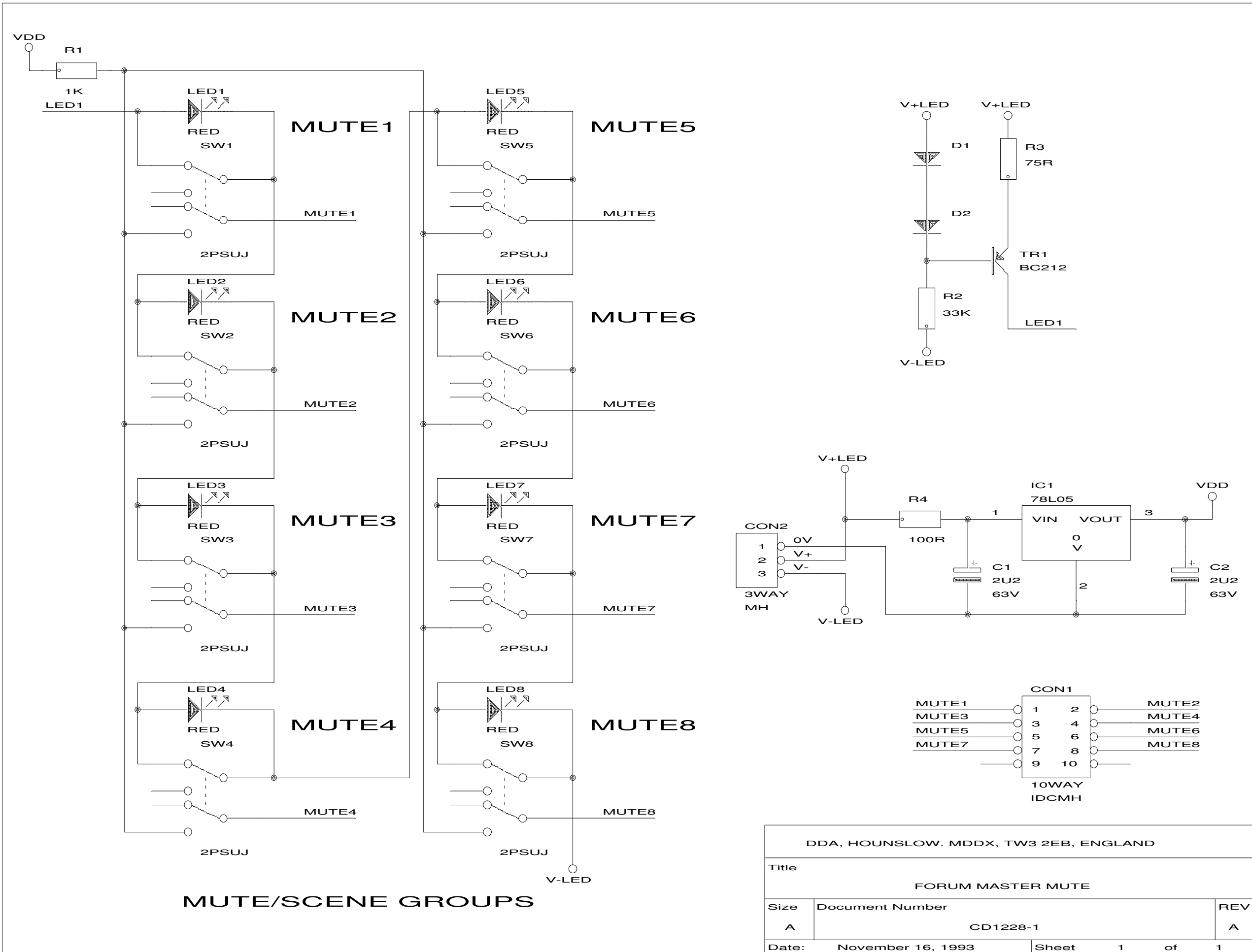
DDA LTD., HOUNSLOW, MIDD., TW3 2EB, ENGLAND
 TEL: 0181 572 7161 FAX: 0181 572 3677
 Title: FORUM STD OUTPUT
 Size: Document Number
 D: CD1210-1
 Date: May 10, 1993 Sheet of



GROUP	MATRIX	EXTERNAL INPUT	OFFSET
GROUP1	MATRIX1	EXT METER	METER GROUP
GROUP2	MATRIX2	EXT METER	METER GROUP
GROUP3	MATRIX3	EXT METER	METER GROUP
GROUP4	MATRIX4	EXT METER	METER GROUP
GROUP5	MATRIX5	EXT METER	METER GROUP
GROUP6	MATRIX6	EXT METER	METER GROUP
GROUP7	MATRIX7	EXT METER	METER GROUP
GROUP8	MATRIX8	EXT METER	METER GROUP
GROUP9	MATRIX9	EXT METER	METER GROUP
GROUP10	MATRIX10	EXT METER	METER GROUP

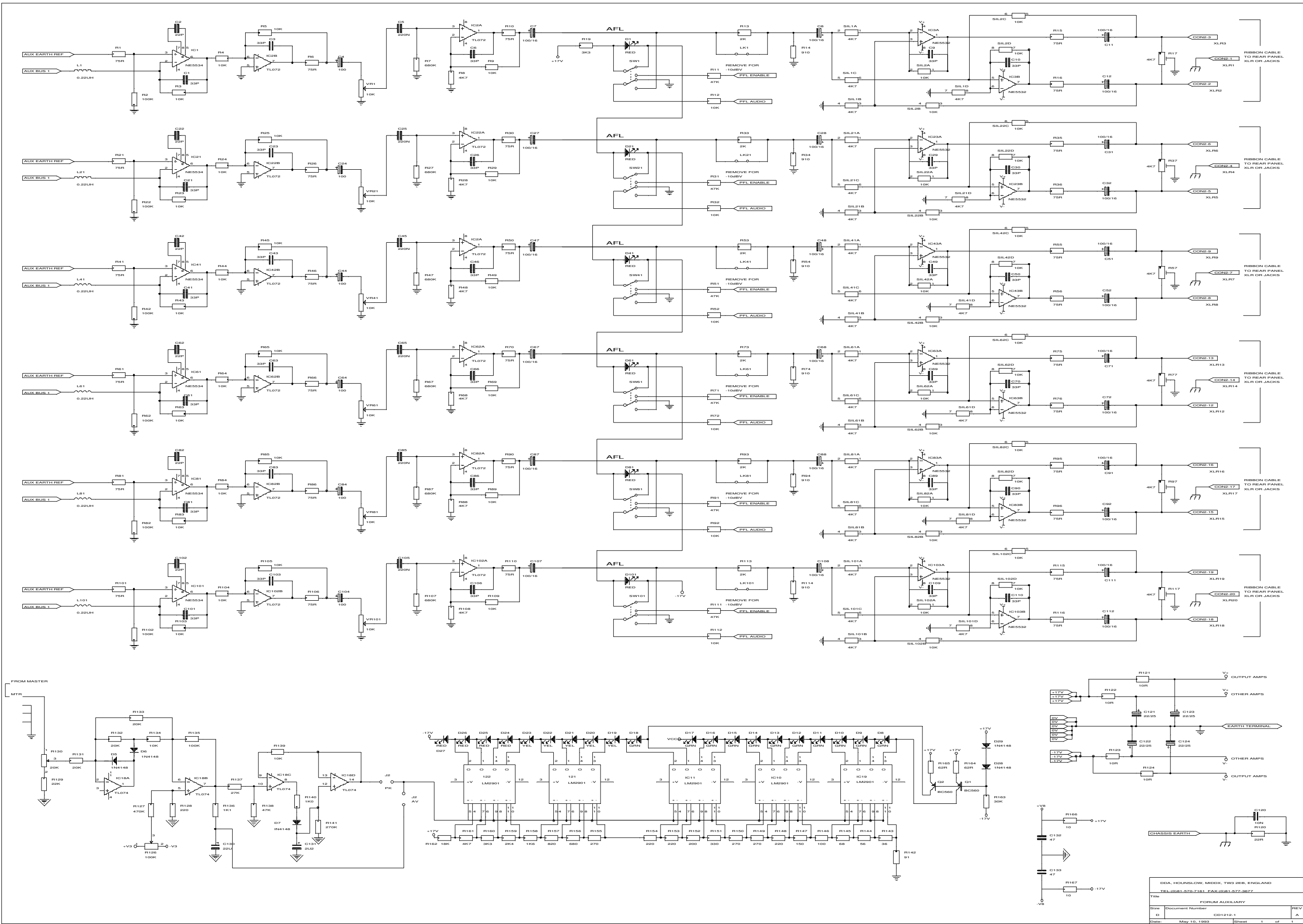
LAST R	LAST IC	LAST D	LAST LED	LAST SW	LAST VR	LAST CN
R117	IC14	D5	LED6	SW7	VR11	CN11





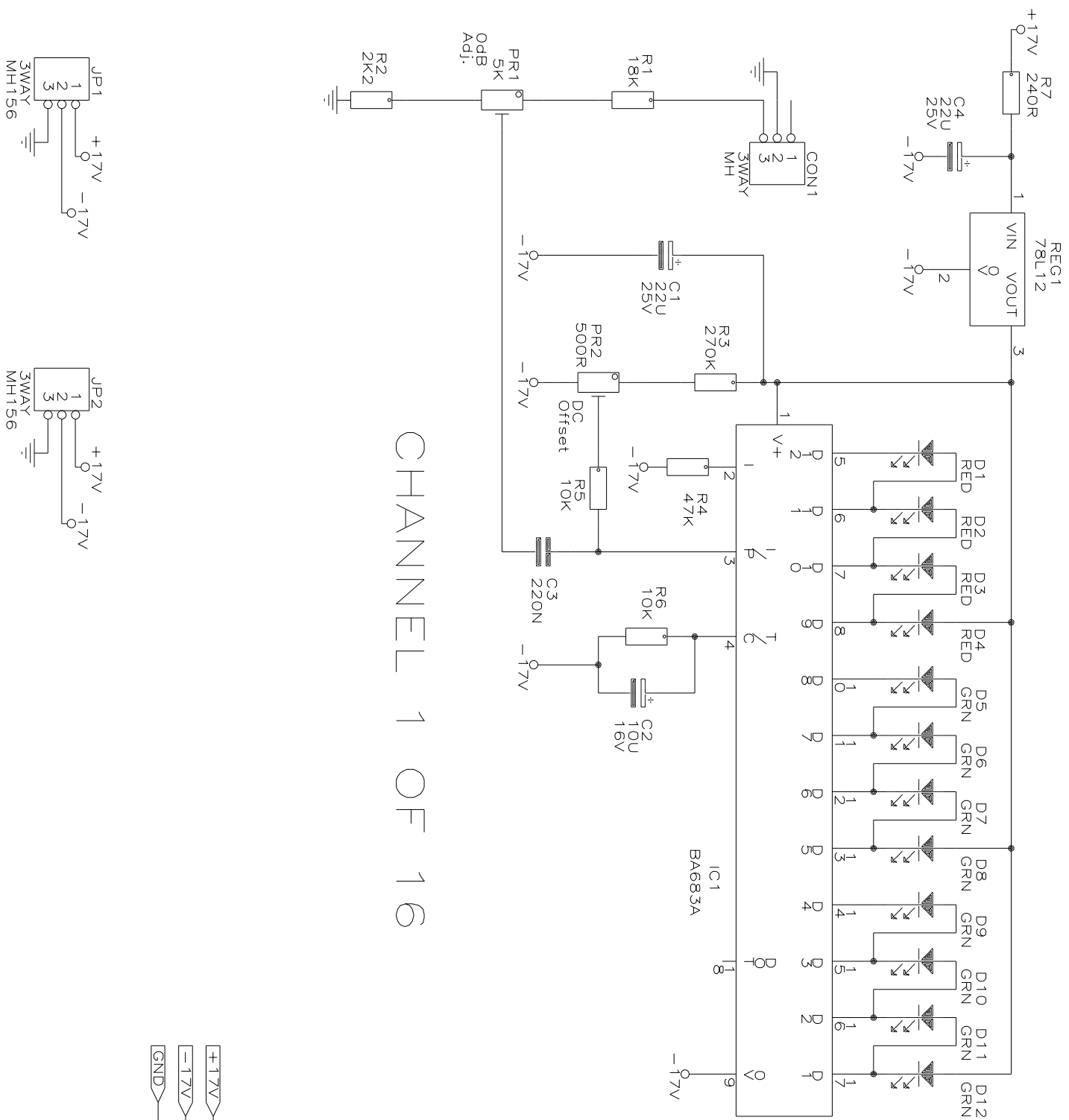
MUTE/SCENE GROUPS

DDA, HOUNSLOW. MDDX, TW3 2EB, ENGLAND		
Title FORUM MASTER MUTE		
Size A	Document Number CD1228-1	REV A
Date:	November 16, 1993	Sheet 1 of 1



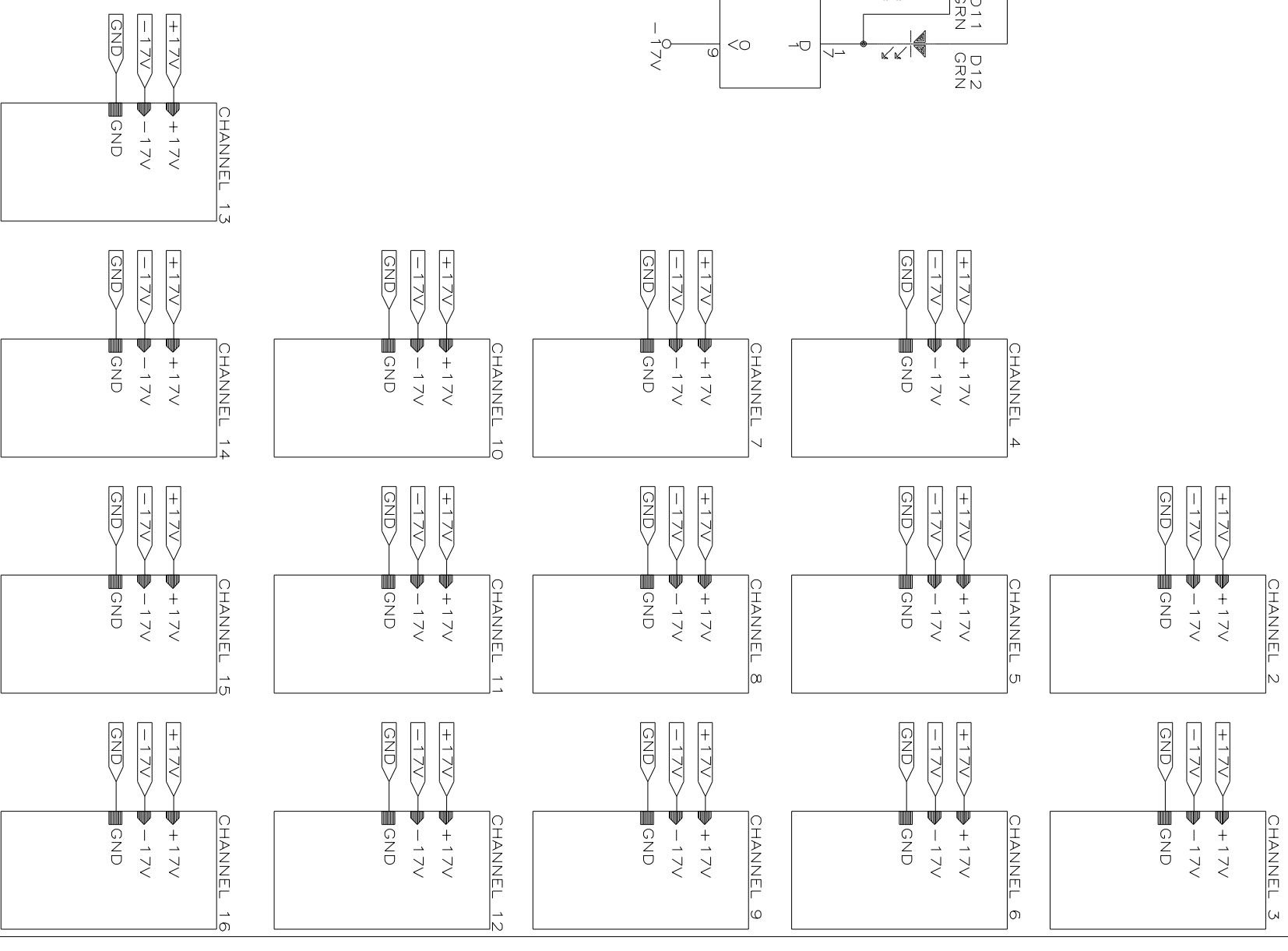
DDA, HOUNSLOW, MIDDX, TW3 2EB, ENGLAND
 TEL: (081) 572 7161 FAX: (081) 572 3677

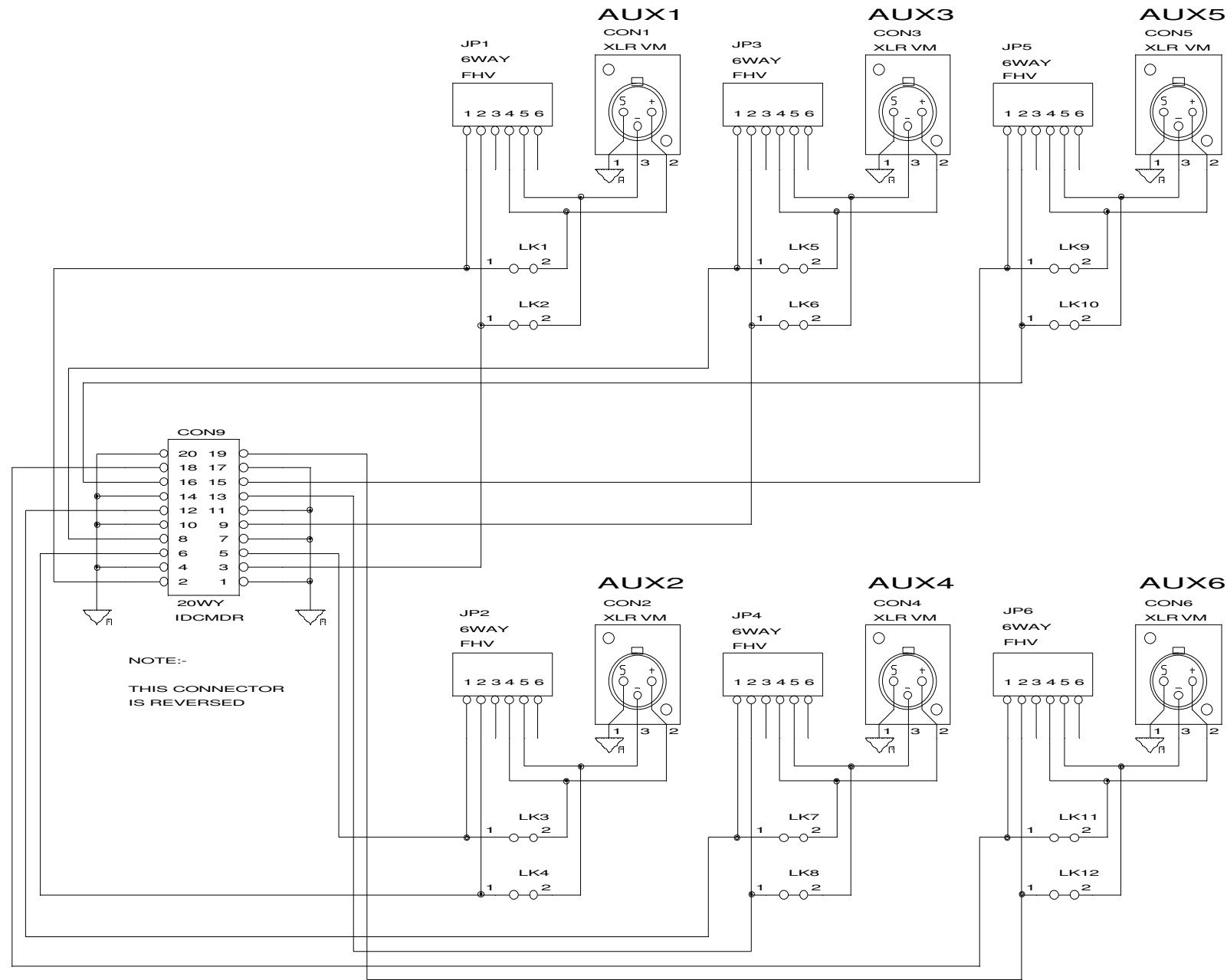
Title: FORUM AUXILIARY
 Size: Document Number: CD1219-1 Rev: A
 Date: May 10, 1993 Sheet: 1 of 1



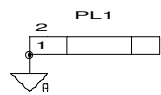
CHANNEL 1 OF 16

Power Input

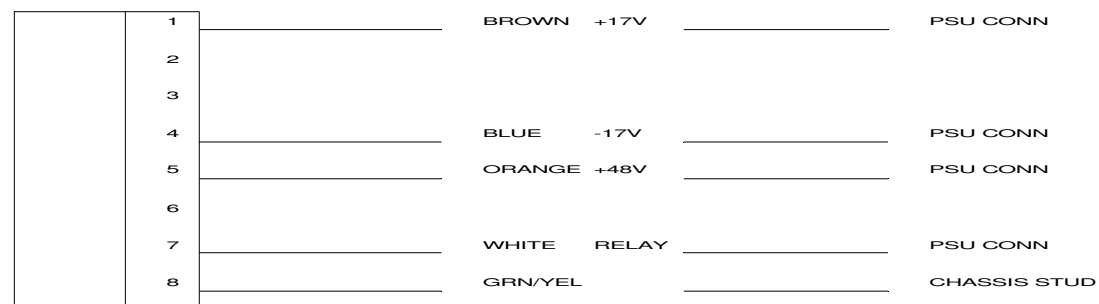
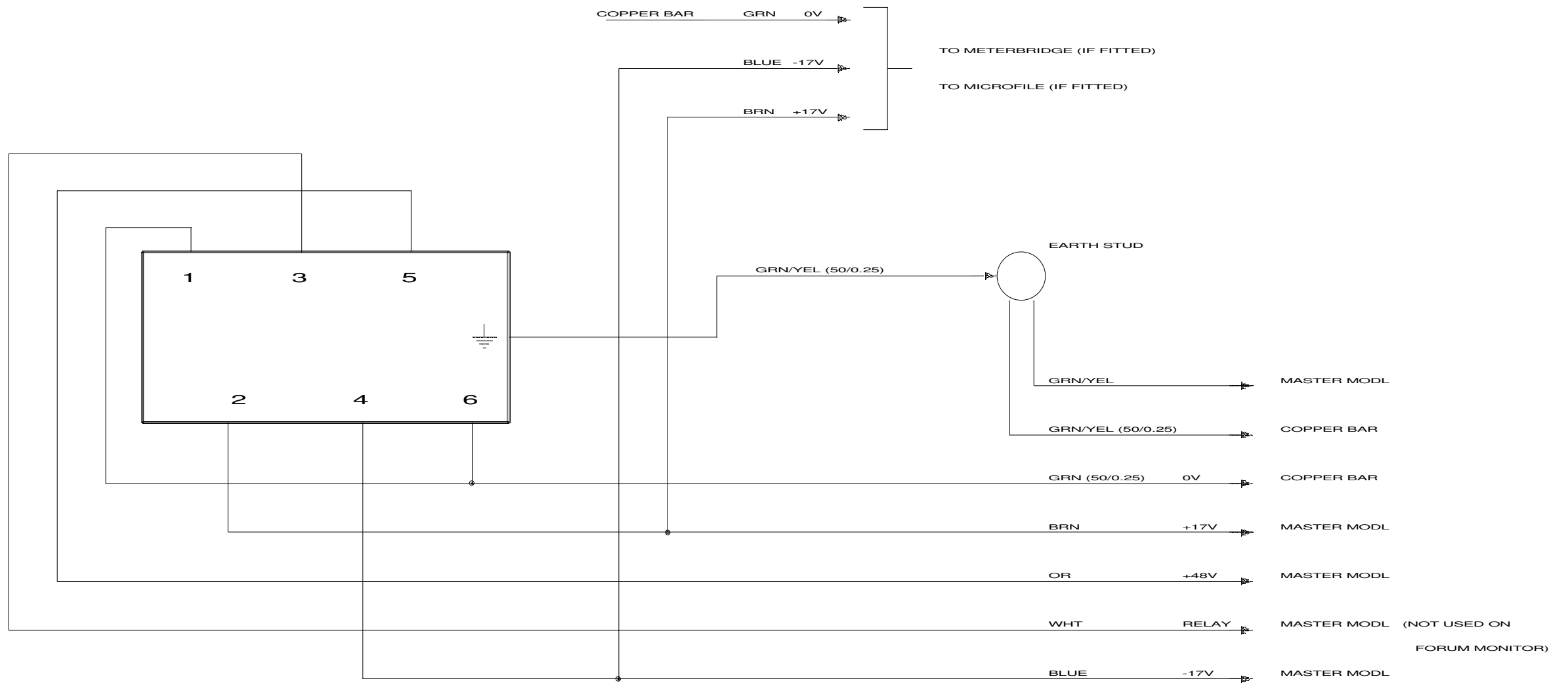




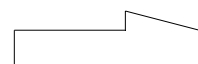
NOTE:-
THIS CONNECTOR
IS REVERSED



DDA, HOUNSLOW, MIDDLESEX, TW3 2EB, ENGLAND		
Title QMR/FORUM AUXILIARY CONNECTOR		
Size B	Document Number CD1193-1 PC1317-1	REV A
Date: August 4, 1993	Sheet 1	of 1

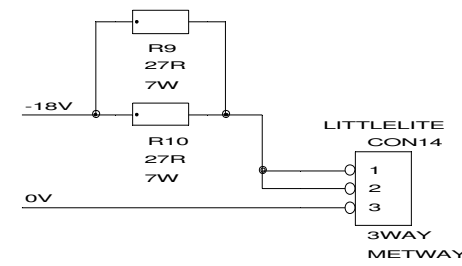
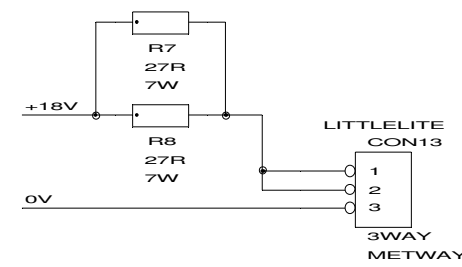
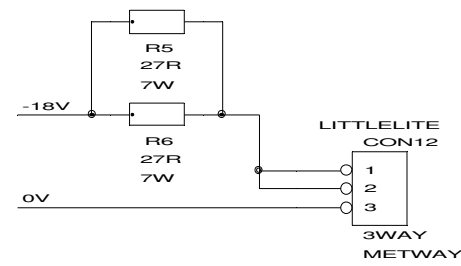
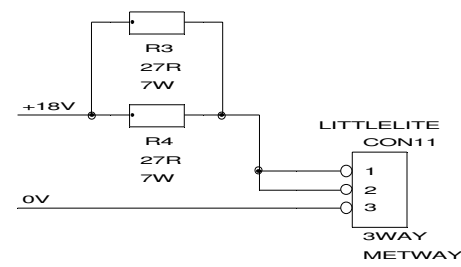
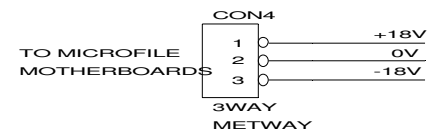
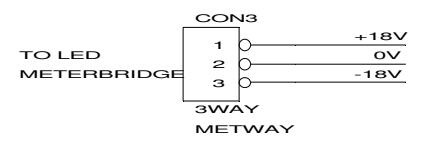
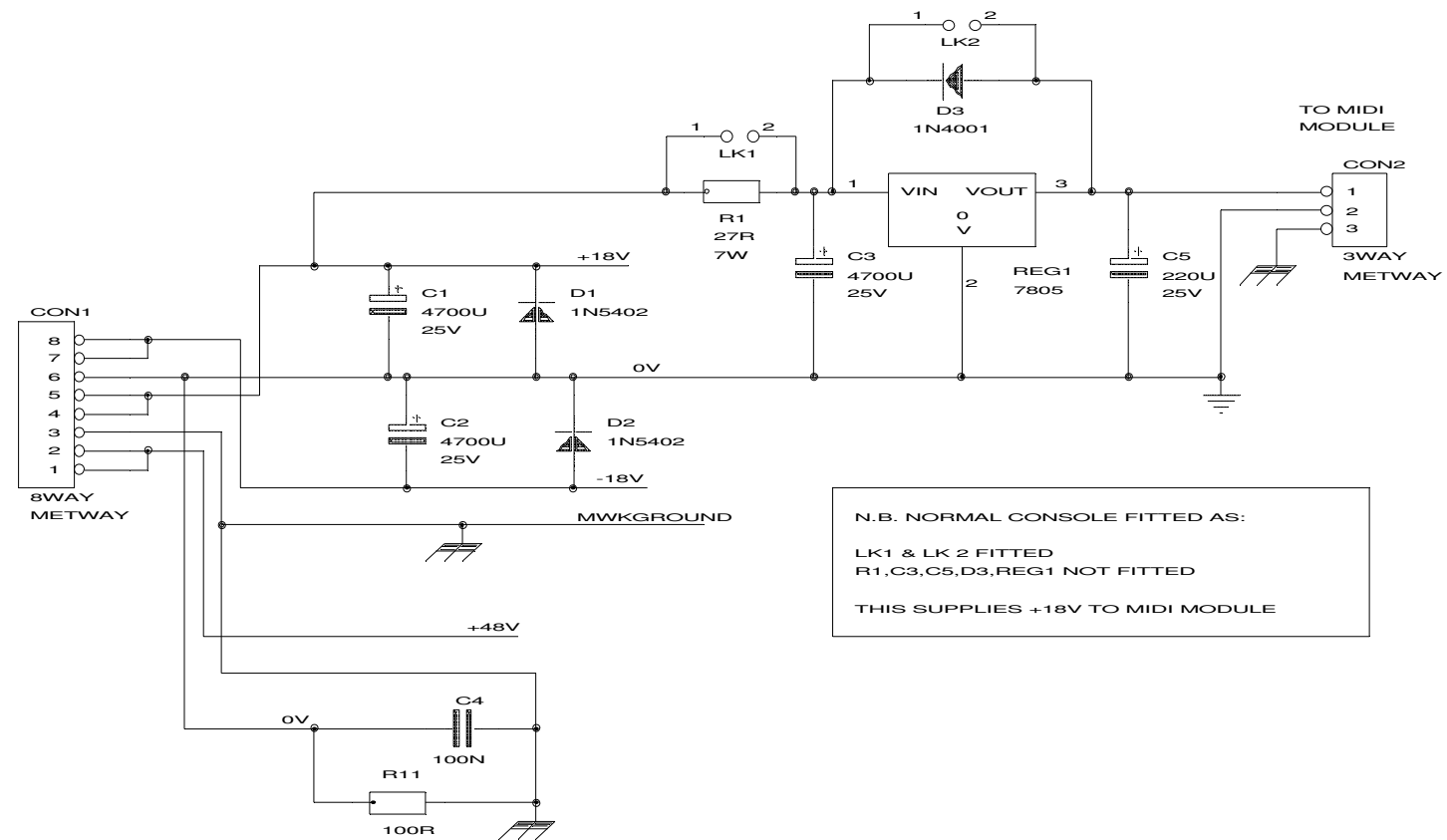


ALL WIRES TRI-RATED 24/0.2 UNLESS STATED

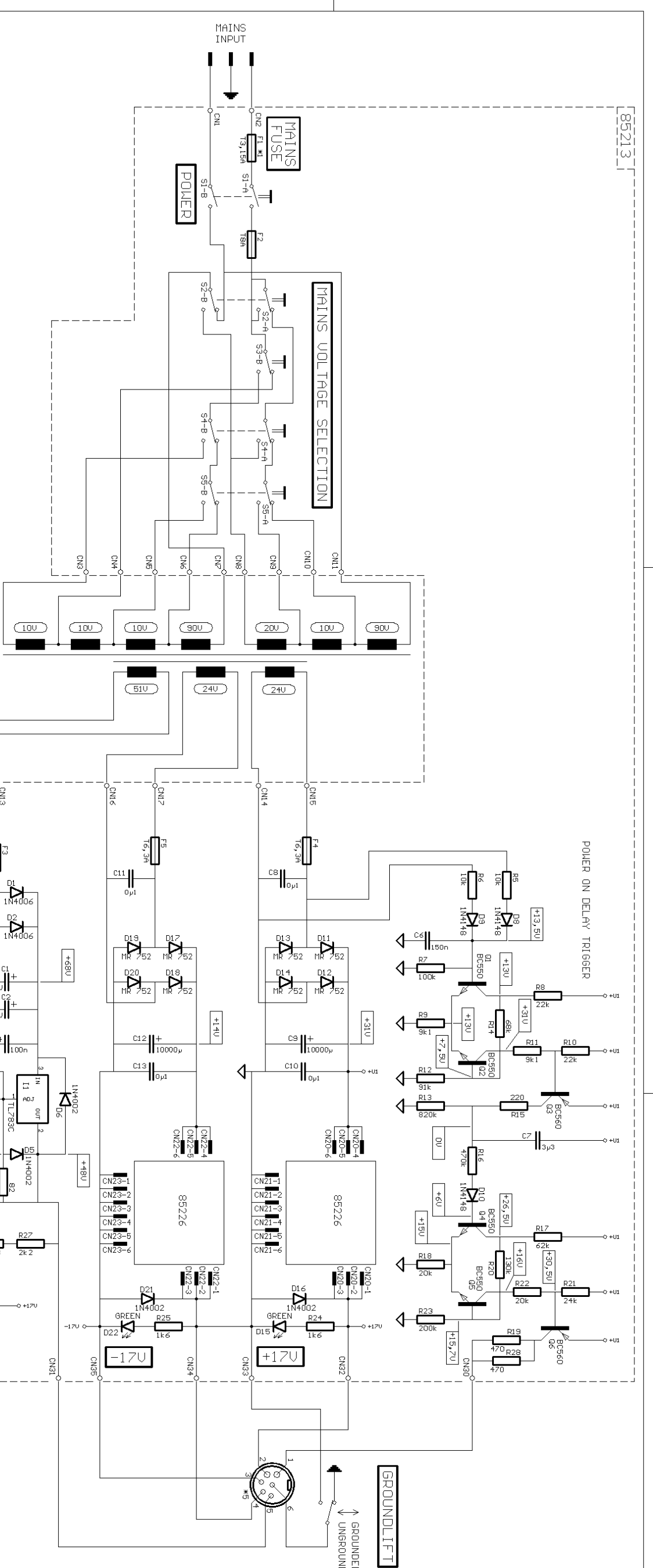
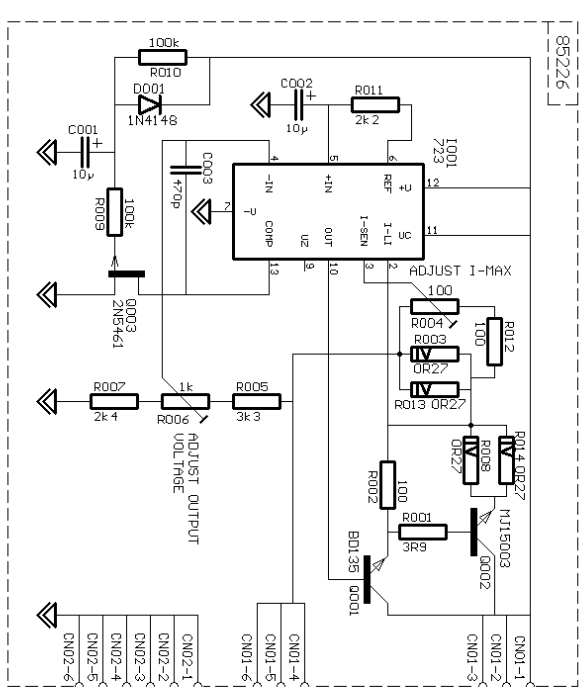


MASTER MODL CONNECTOR

DDA LTD., HOUNSLOW, MIDDX., TW3 2EB, ENGLAND		
TEL: (0)81 570 7161 FAX: (0)81 577 3677		
Title FORUM FRAME POWER WIRING		
Size B	Document Number AS1341-3	REV A
Date: August 22, 1994	Sheet 1	of 1



DDA, HOUNSLOW, MIDDX, TW3 2EB, ENGLAND.		
TEL:(0)81-570-7161 FAX:(0)81-577-3677		
Title POWER DISTRIBUTION (PC1357-1)		
Size B	Document Number CD1239-1	REV A
Date: February 14, 1995	Sheet 1	of 1



NOTES:
 *1 F1 : USE T3,15A FOR 240/230V AC
 USE T6,3A FOR 100/120V AC

- AC VOLTAGE 50/60 HZ MEASURED VOLTMETER 2000 OHMS/V
- DC VOLTAGE MEASURED WITH VOLTMETER 100KOHM/V NO-LOAD
- SAFETY COMPONENT (MUST BE REPLACED BY ORIGINAL PART)
- POWER RESISTOR + 1WTT
- 2N 5461
- HU 15003
- BU 135
- TL 783C
- BC 550/560
- 723
- 1.5A

ALTERATIONS RESERVED!

3/11/1992	81:37:58	Last modified
26/08/1994	12:58:32	Last printed
1981		DATE
		NAME
		DRAWN
		CHECKED
		STADLER
		APP'D

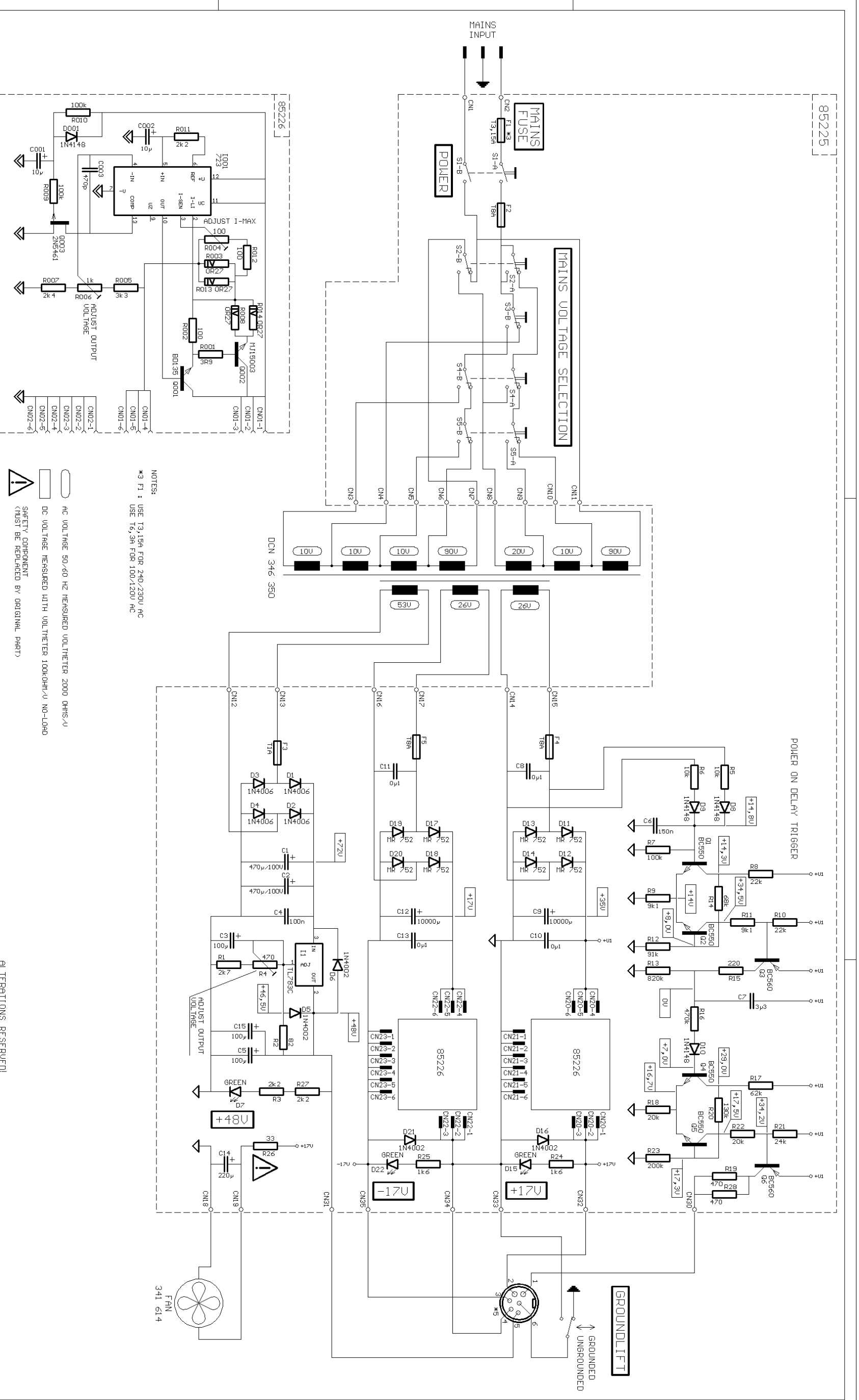
DYNACORD

CIRCUIT DIAGRAM

344 803

INTERFACE

PS12835B 85213
 85226



NOTES:
 *3 F1 : USE T3,15A FOR 240/230V AC
 USE T6,3A FOR 100/120V AC

- AC VOLTAGE 50/60 HZ MEASURED VOLTMETER 2000 OHMS/V
- DC VOLTAGE MEASURED WITH VOLTMETER 100KOHM/V NO-LOAD
- SAFETY COMPONENT (MUST BE REPLACED BY ORIGINAL PART)
- POWER RESISTOR 4 WATT

- 2N 5461
- HJ 15003
- B0 135
- TL 783C
- BC 950/560
- 723
- GDS
- E, B
- E, B, C
- 1 2 3
- 7 14

ALTERATIONS RESERVED!

85225	PSI2860
85226	

8/09/1992	10-32:12	Last modified
5/12/1994	10-45:54	Last printed
1992		DATE
		NAME
		DSS/D
		CHK/D
		APP/D

DYNACORD	CIRCUIT DIAGRAM
346 353	1/1
INTERFACE	2-