

Forum Monitor

Schematics

Klark Teknik Building
Walter Nash Road
Kidderminster
Worcestershire
DY11 7HJ

Tel: +44 (0) 1562 741515

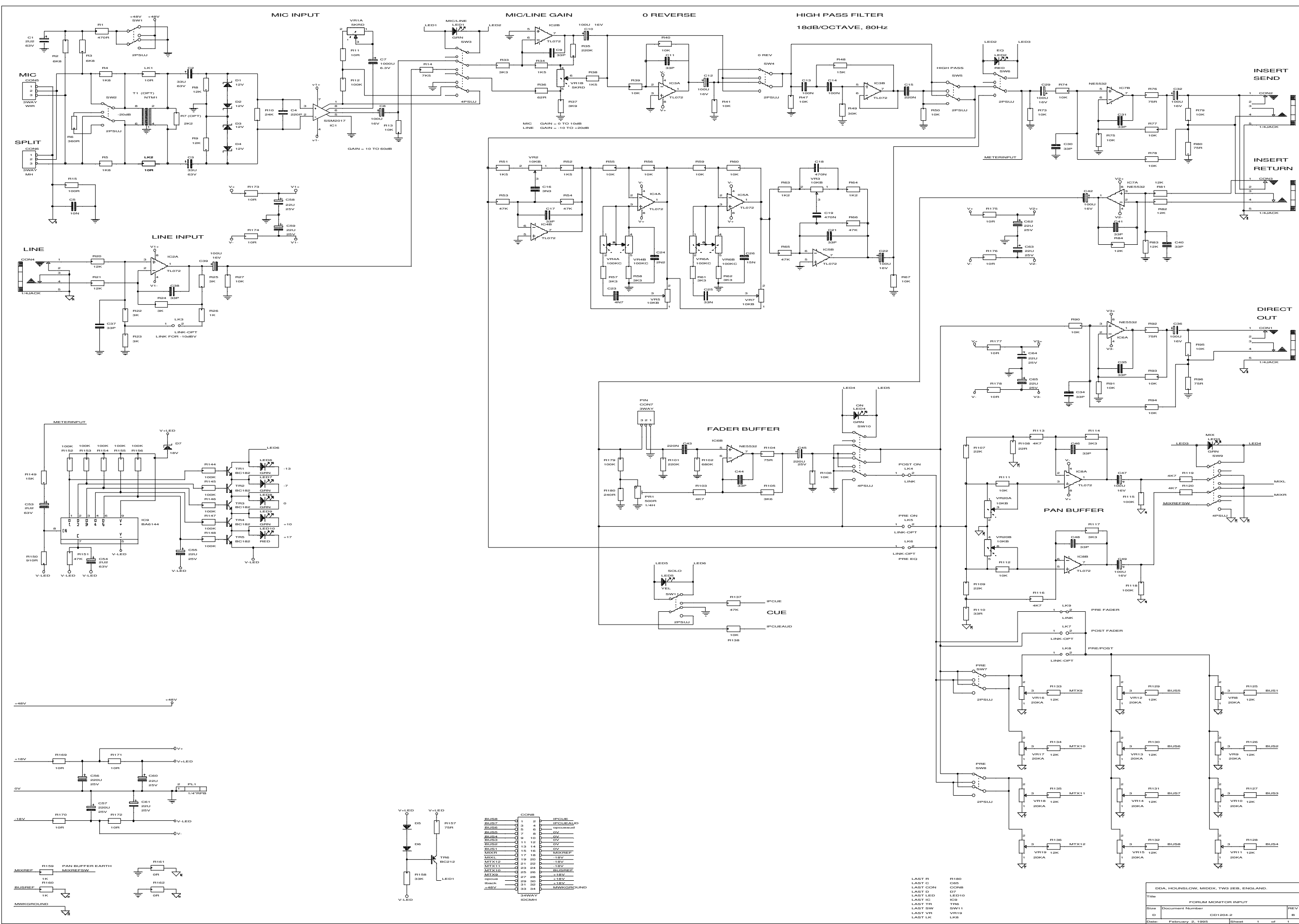
Fax: +44 (0) 1562 745371

Email: info@uk.telex.com

Website: www.ddaconsole.com

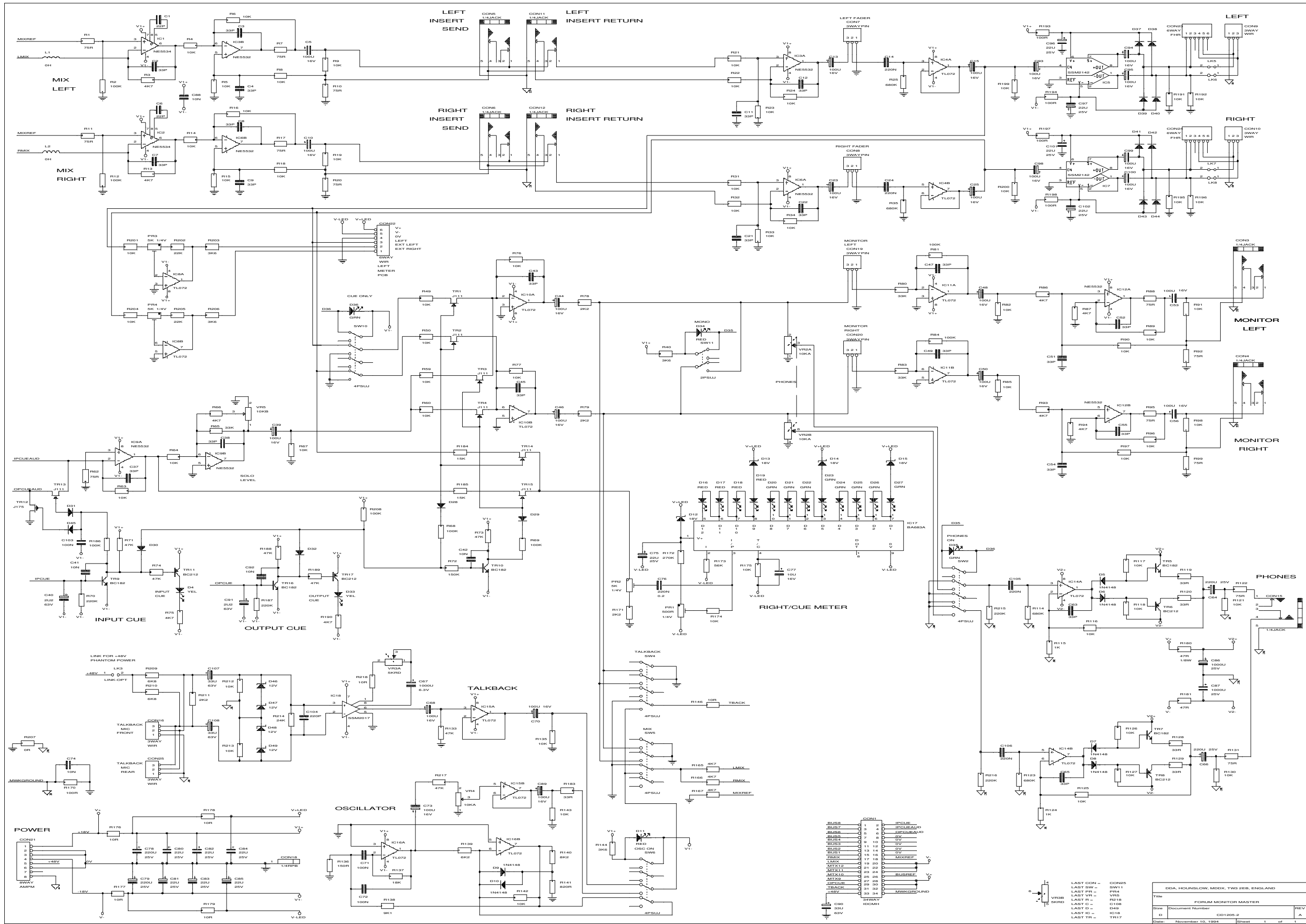
Forum Monitor Schematics
© Telex Communications (UK) Limited

In line with the company's policy of continual improvement, specifications and function maybe subject to change without notice. This Operator Manual was correct at the time of writing. E&OE.



BUS#	CONNS	IPCUE
BUS2	1 2	IPCUEALD
BUS2	3 4	IPCUEALD
BUS2	5 6	IPCUEALD
BUS2	7 8	IPCUEALD
BUS2	9 10	IPCUEALD
BUS2	11 12	IPCUEALD
BUS2	13 14	IPCUEALD
BUS2	15 16	IPCUEALD
BUS2	17 18	IPCUEALD
BUS2	19 20	IPCUEALD
BUS2	21 22	IPCUEALD
BUS2	23 24	IPCUEALD
BUS2	25 26	IPCUEALD
BUS2	27 28	IPCUEALD
BUS2	29 30	IPCUEALD
BUS2	31 32	IPCUEALD
BUS2	33 34	IPCUEALD

LAST R R180
 LAST C C36
 LAST CONN CONNS
 LAST LED LED10
 LAST IC IC2
 LAST TR TR6
 LAST SW SW11
 LAST VR VR19
 LAST LH LK8



CONN1

1	IPIC/LEAD
2	OPIC/LEAD
3	OV
4	OV
5	OV
6	OV
7	OV
8	OV
9	OV
10	OV
11	OV
12	OV
13	OV
14	OV
15	OV
16	OV
17	OV
18	OV
19	OV
20	OV
21	OV
22	OV
23	OV
24	OV
25	OV
26	OV
27	OV
28	OV
29	OV
30	OV
31	OV
32	OV
33	OV
34	OV
35	OV
36	OV
37	OV
38	OV
39	OV
40	OV
41	OV
42	OV
43	OV
44	OV
45	OV
46	OV
47	OV
48	OV
49	OV
50	OV
51	OV
52	OV
53	OV
54	OV
55	OV
56	OV
57	OV
58	OV
59	OV
60	OV
61	OV
62	OV
63	OV
64	OV
65	OV
66	OV
67	OV
68	OV
69	OV
70	OV
71	OV
72	OV
73	OV
74	OV
75	OV
76	OV
77	OV
78	OV
79	OV
80	OV
81	OV
82	OV
83	OV
84	OV
85	OV
86	OV
87	OV
88	OV
89	OV
90	OV
91	OV
92	OV
93	OV
94	OV
95	OV
96	OV
97	OV
98	OV
99	OV
100	OV

LAST CON -	CONN5
LAST SW -	SW11
LAST FR -	FR4
LAST VR -	VR5
LAST R -	RR5
LAST C -	C105
LAST D -	D49
LAST IC -	IC18
LAST TR -	TR17

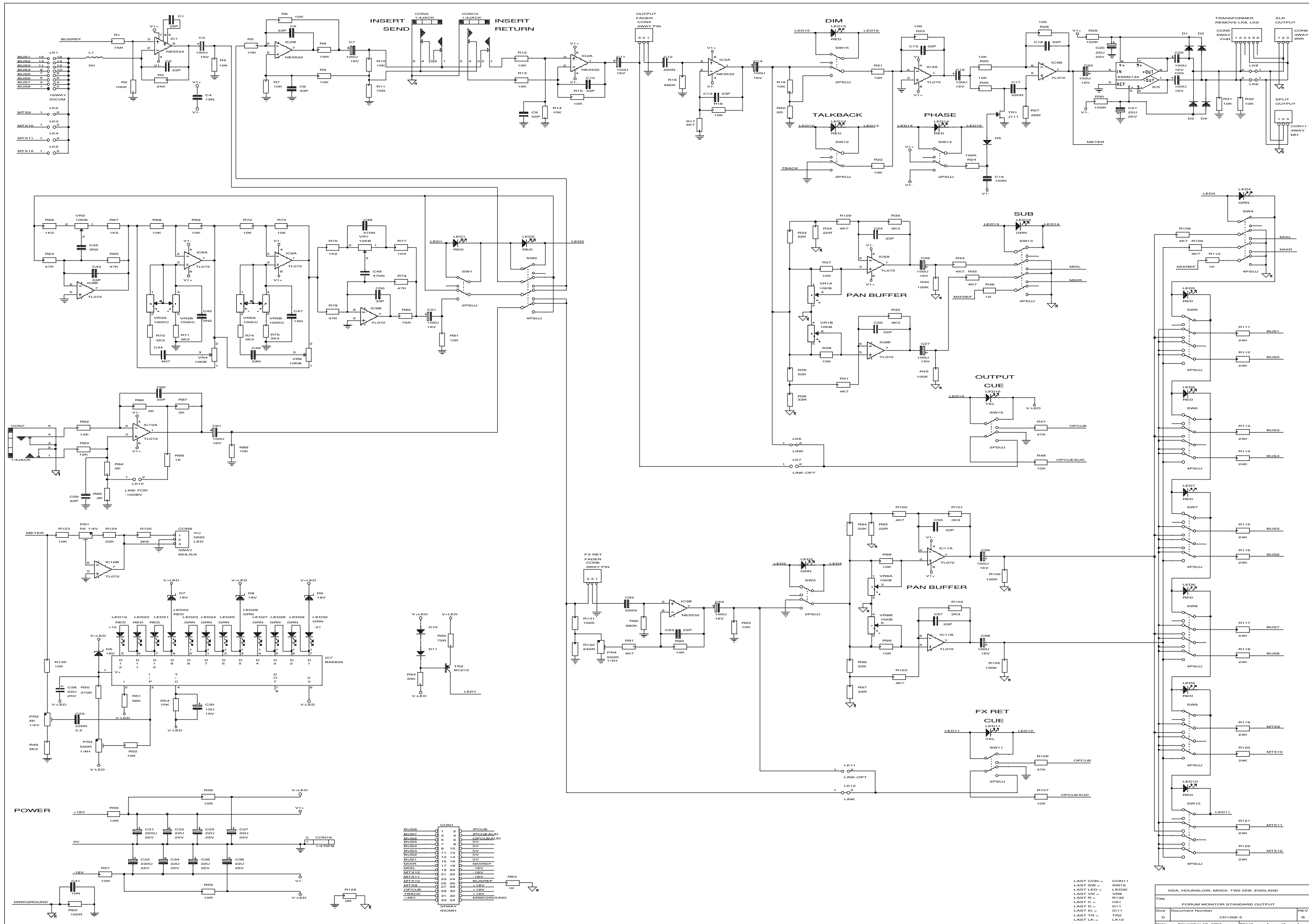
DDA, HOUNSLOW, MDDX, TW3 2EB, ENGLAND

Title: FORUM MONITOR MASTER

Docuement Number: CD105-2

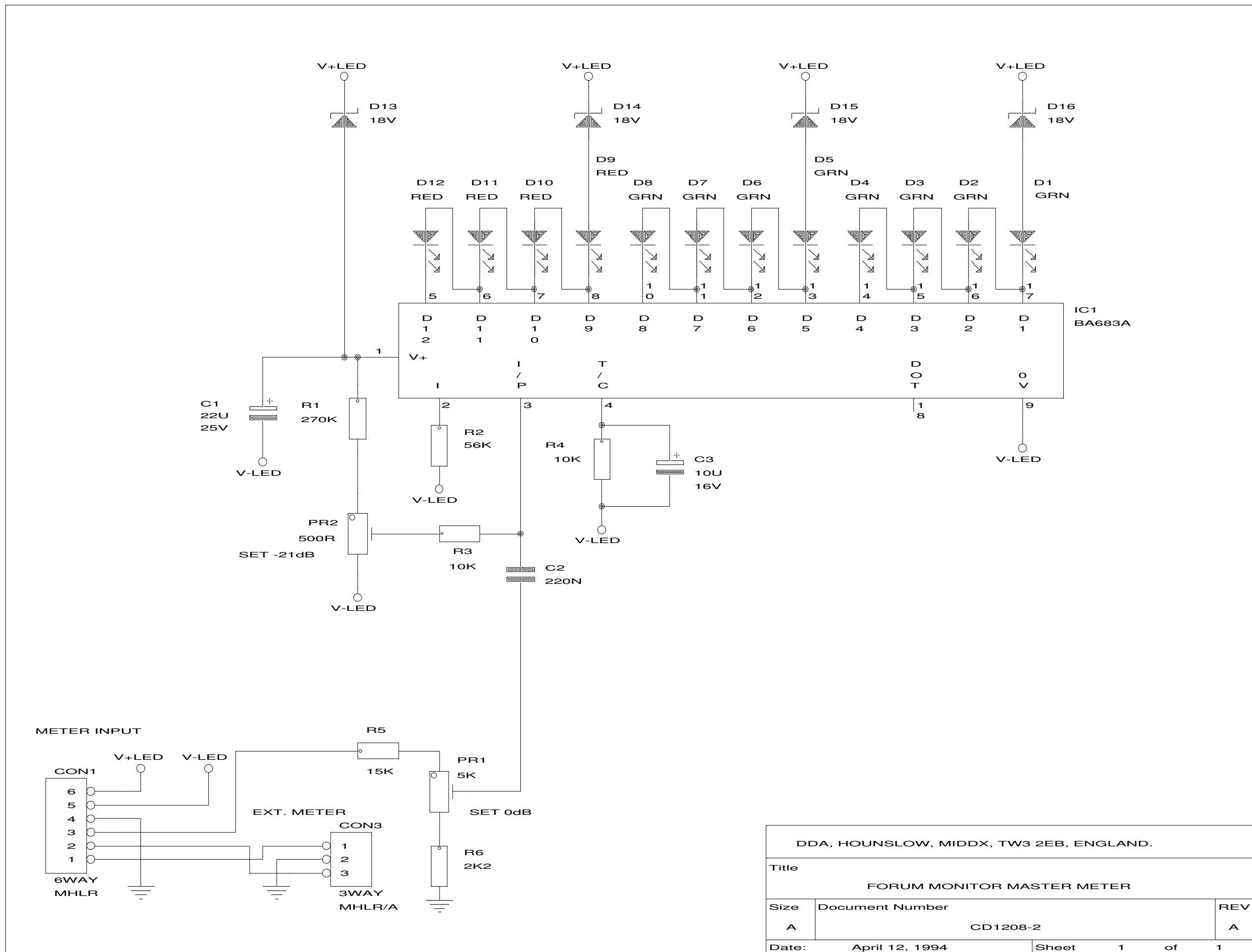
Date: November 10, 1994

Sheet 1 of 1

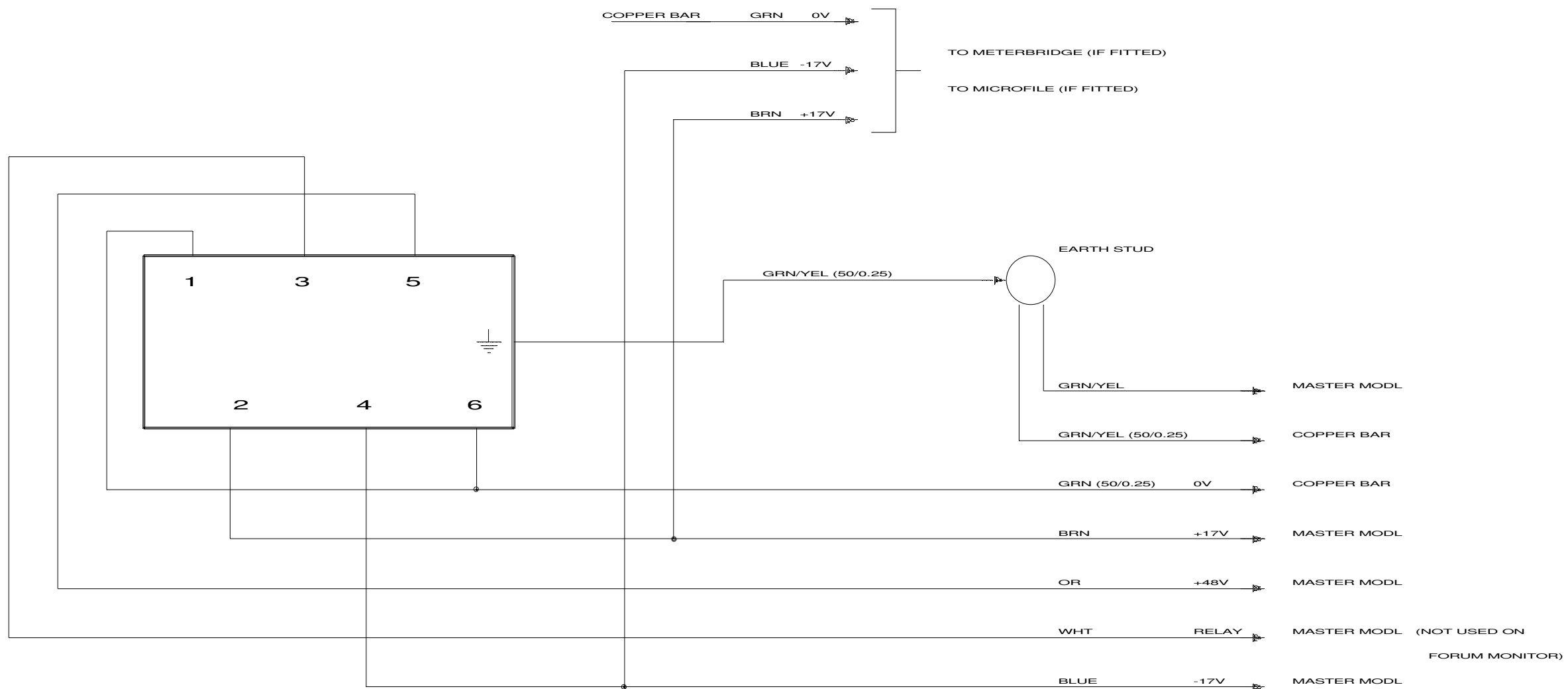


CONN	1	2	3	4
BUS8	1	2	3	4
BUS7	5	6	7	8
BUS6	9	10	11	12
BUS5	13	14	15	16
BUS4	17	18	19	20
BUS3	21	22	23	24
BUS2	25	26	27	28
BUS1	29	30	31	32
MIXR	33	34	35	36
MIXL	37	38	39	40
OPCUE	41	42	43	44
OPCLEAUD	45	46	47	48
MWKGND	49	50	51	52
MWKGND	53	54	55	56
MWKGND	57	58	59	60
MWKGND	61	62	63	64
MWKGND	65	66	67	68
MWKGND	69	70	71	72
MWKGND	73	74	75	76
MWKGND	77	78	79	80
MWKGND	81	82	83	84
MWKGND	85	86	87	88
MWKGND	89	90	91	92
MWKGND	93	94	95	96
MWKGND	97	98	99	100

DDA, HOUNSLOW, MDDX, TW3 2EB, ENGLAND
 Title: 4 CHANNEL MONITOR STANDARD OUTPUT
 Size: Document Number
 D: CD1206-3
 Date: November 10, 1994
 Sheet: 1 of 1

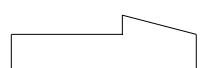


DDA, HOUNSLOW, MIDDX, TW3 2EB, ENGLAND.		
Title FORUM MONITOR MASTER METER		
Size A	Document Number CD1208-2	REV A
Date:	April 12, 1994	Sheet 1 of 1



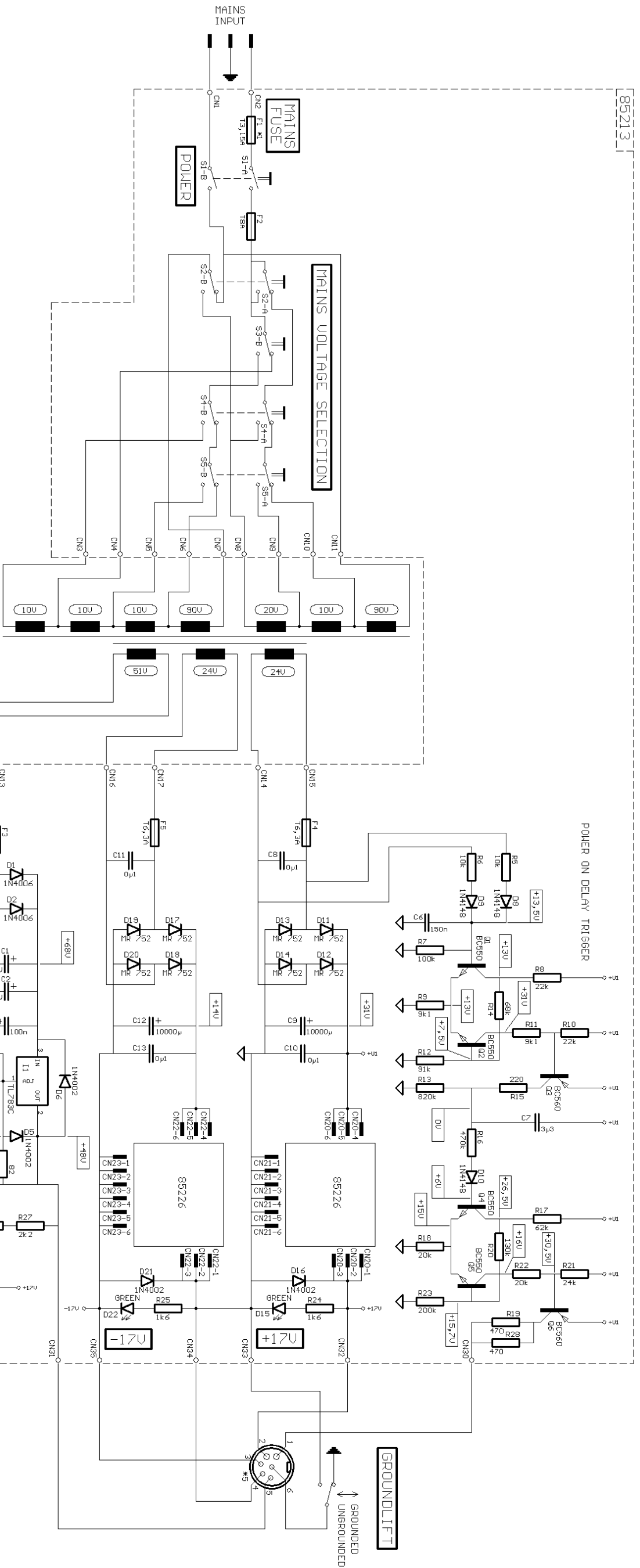
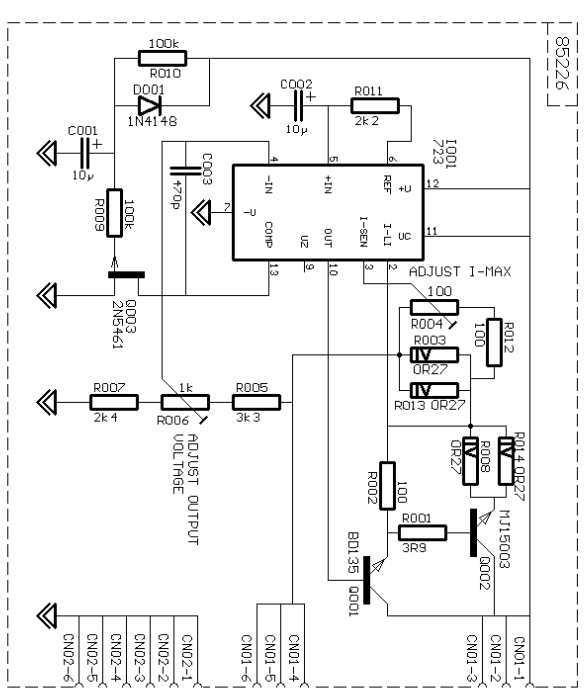
1	BROWN	+17V	PSU CONN
2			
3			
4	BLUE	-17V	PSU CONN
5	ORANGE	+48V	PSU CONN
6			
7	WHITE	RELAY	PSU CONN
8	GRN/YEL		CHASSIS STUD

ALL WIRES TRI-RATED 24/0.2 UNLESS STATED



MASTER MODL CONNECTOR

DDA LTD., HOUNSLOW, MIDDX., TW3 2EB, ENGLAND		
TEL: (0)81 570 7161 FAX: (0)81 577 3677		
Title FORUM FRAME POWER WIRING		
Size B	Document Number AS1341-3	REV A
Date: August 22, 1994	Sheet 1	of 1



NOTES:
 *1 F1 : USE T3,15A FOR 240/230V AC
 USE T6,3A FOR 100/120V AC

- AC VOLTAGE 50/60 HZ MEASURED VOLTMETER 2000 OHMS/V
- DC VOLTAGE MEASURED WITH VOLTMETER 100KOHM/V NO-LOAD
- SAFETY COMPONENT (MUST BE REPLACED BY ORIGINAL PART)
- POWER RESISTOR 4 WATT

- 2N 5461
- HJ 15003
- B0 135
- TL 783C
- BC 550/560
- 723
- 1N4006
- 1N4148

ALTERATIONS RESERVED!

3/11/1992	8/37:58	Last modified
5/07/1995	16/09:47	Last printed
1981		DATE
		NAME
		DRAWN
		CHECKED
		STADLER
		APP'D

DYNACORD

CIRCUIT DIAGRAM

344 803

INTERFACE

PSI2835B 85213
 85226

