

Profile

Schematics

Klark Teknik Building
Walter Nash Road
Kidderminster
Worcestershire
DY11 7HJ

Tel: +44 (0) 1562 741515

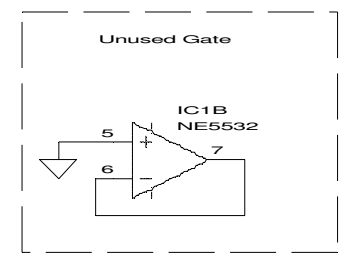
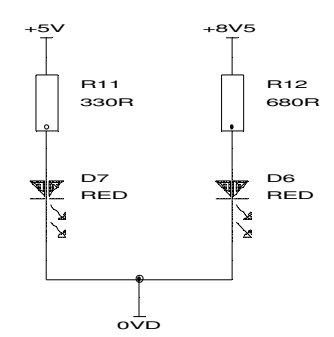
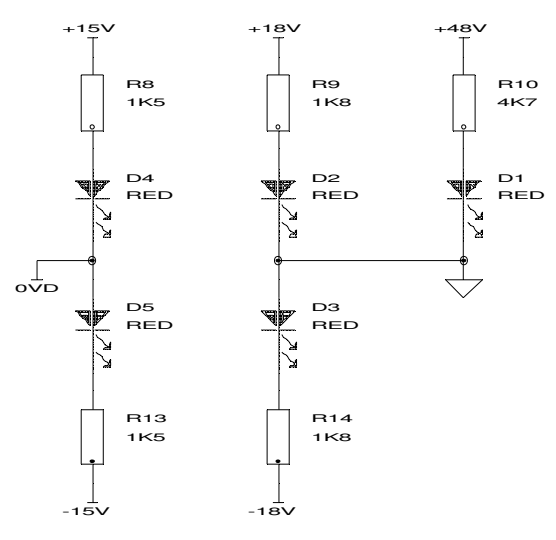
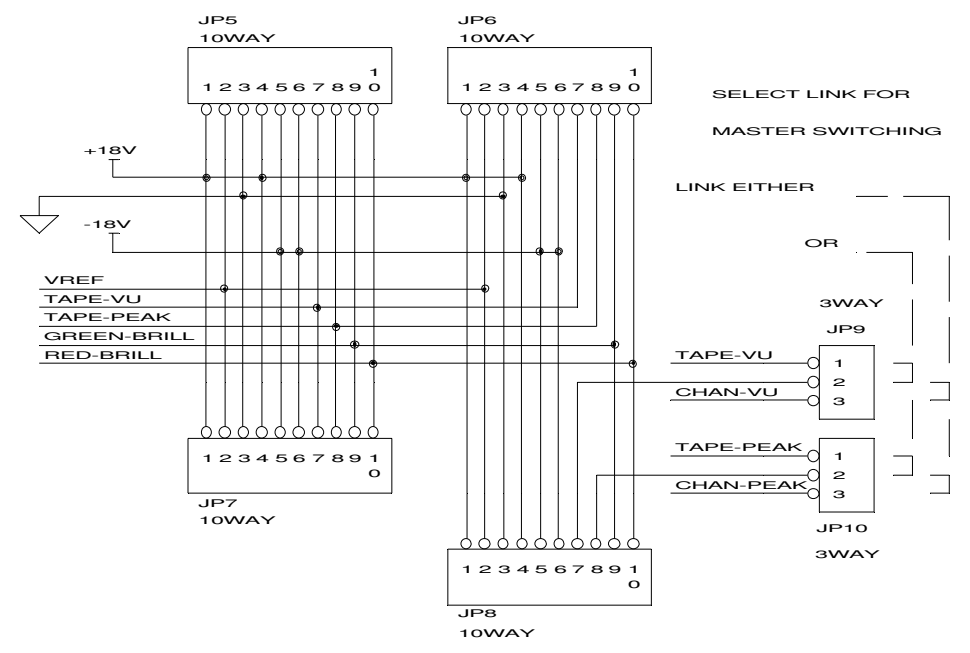
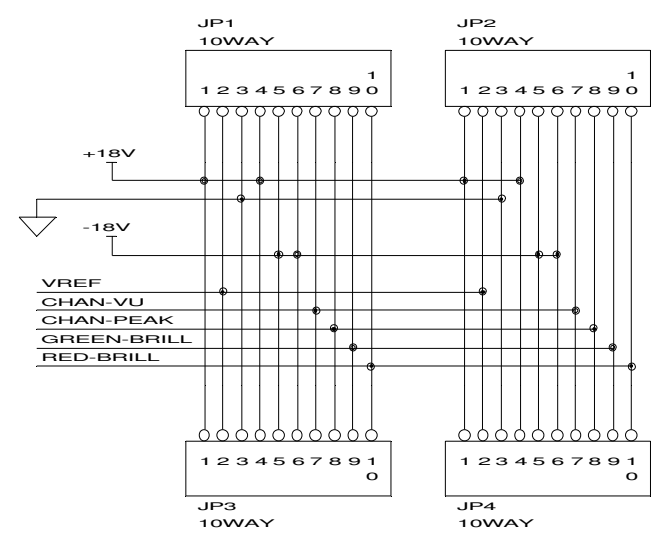
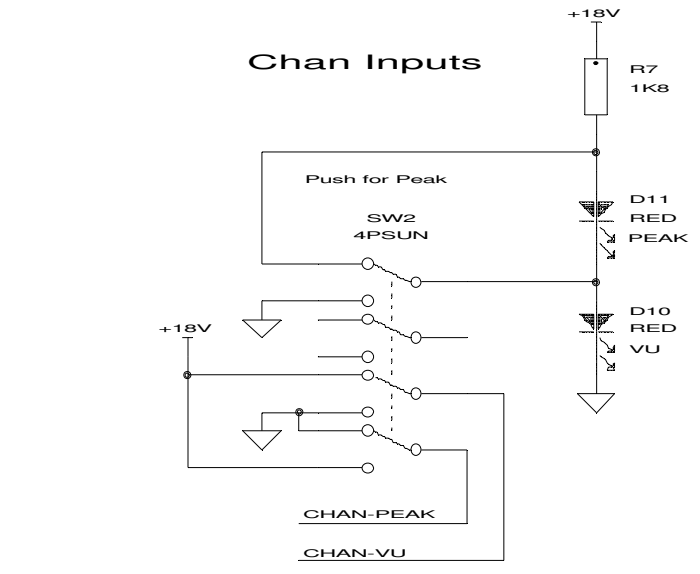
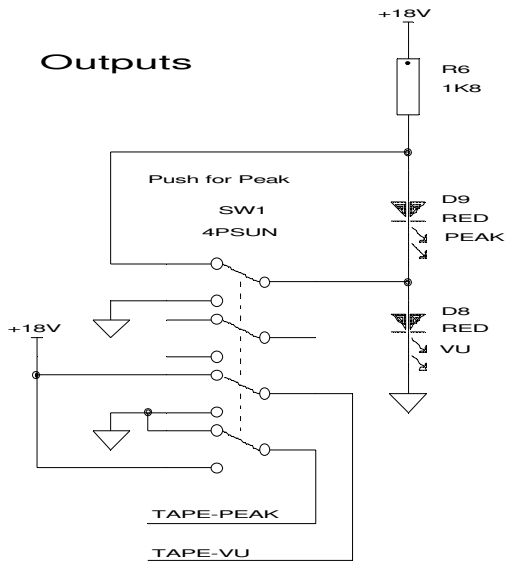
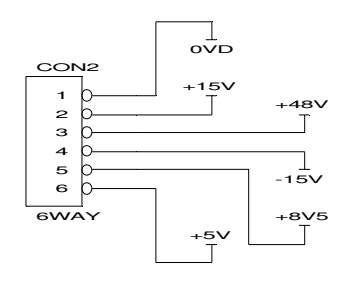
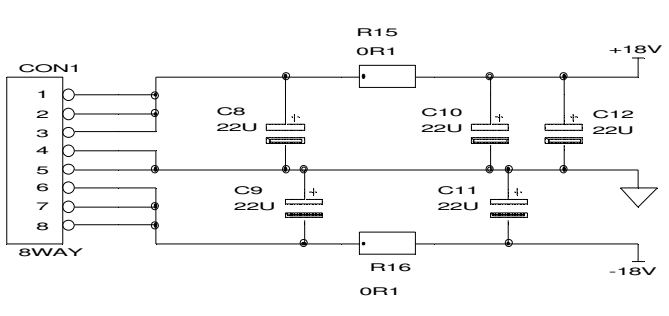
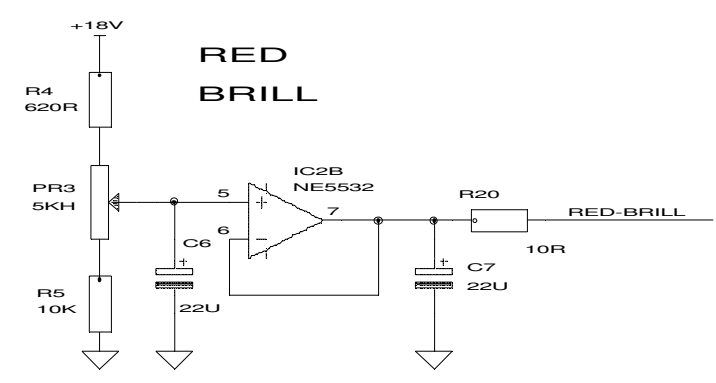
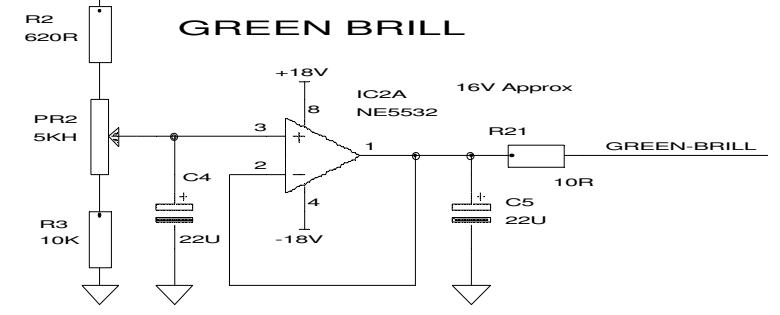
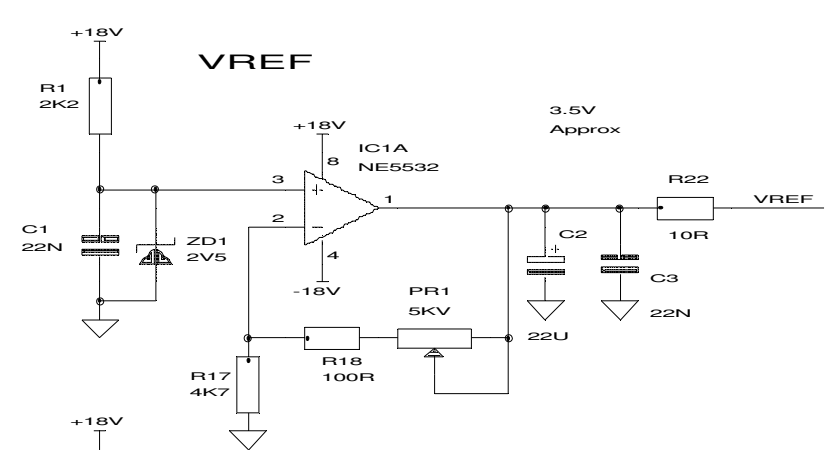
Fax: +44 (0) 1562 745371

Email: info@uk.telex.com

Website: www.ddaconsole.com

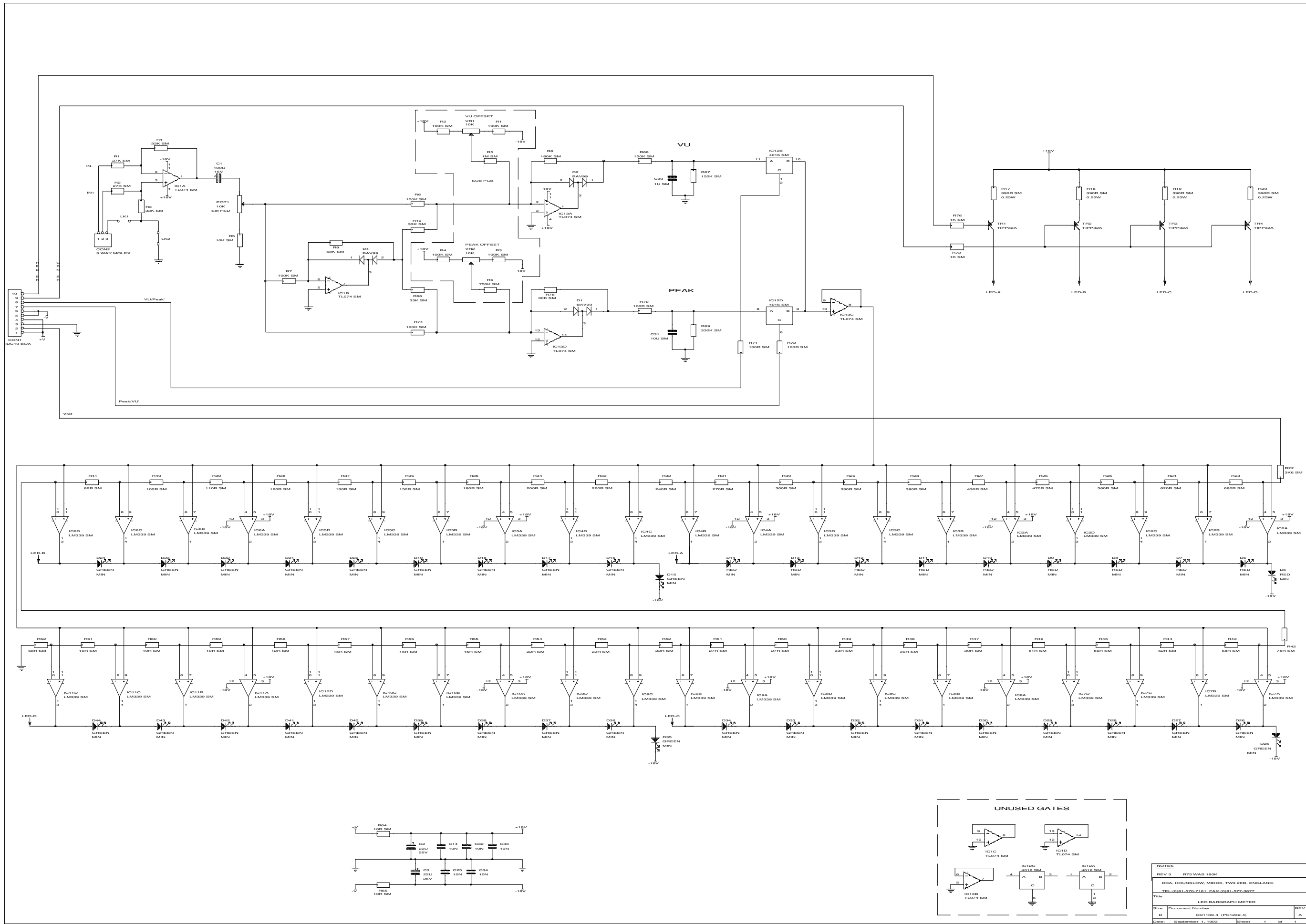
Profile Schematics
© Telex Communications (UK) Limited

In line with the company's policy of continual improvement, specifications and function maybe subject to change without notice. This Operator Manual was correct at the time of writing. E&OE.

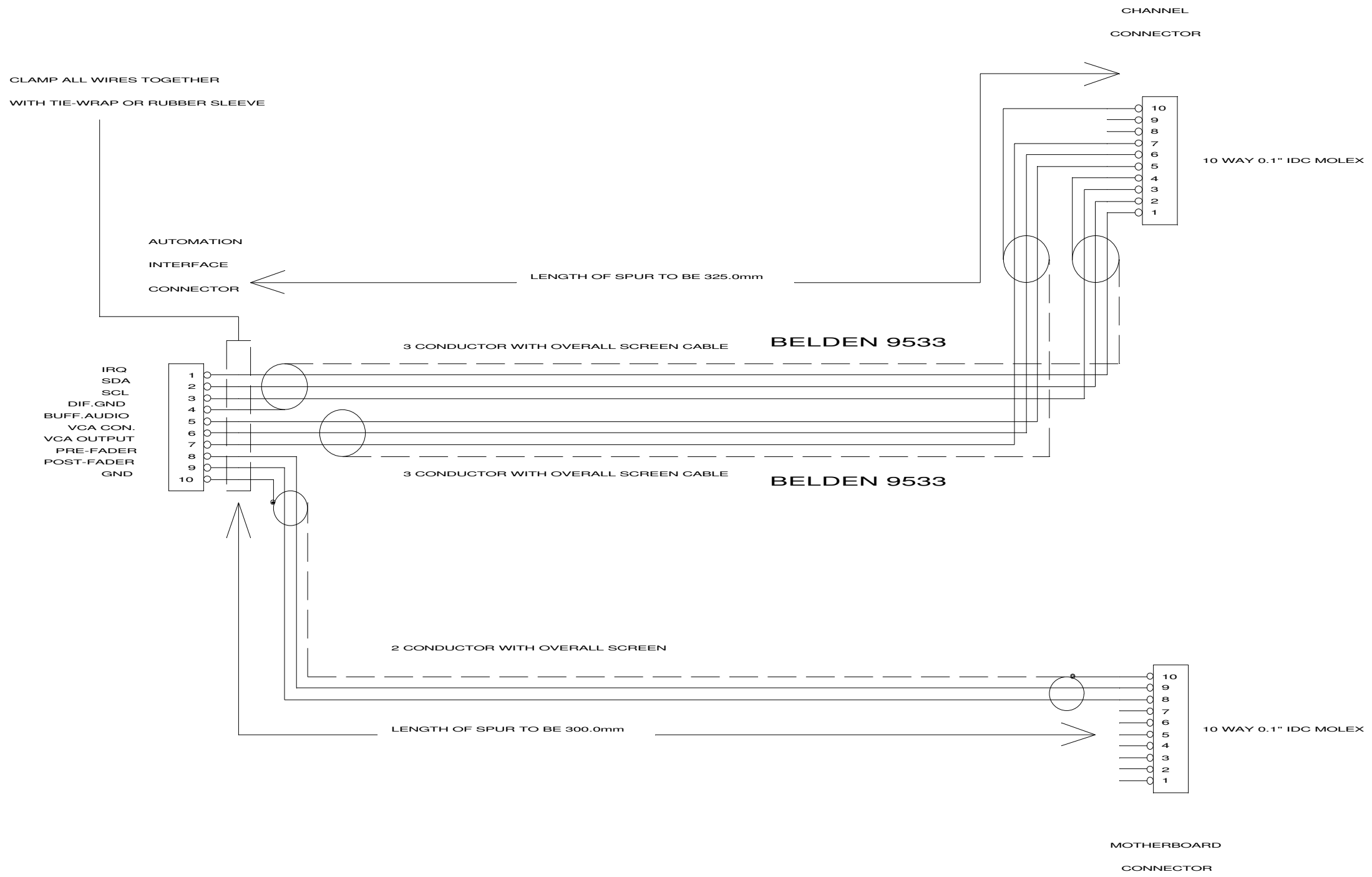


DDA LTD, HOUNSLOW, MIDDX, TW3 2EB, ENGLAND

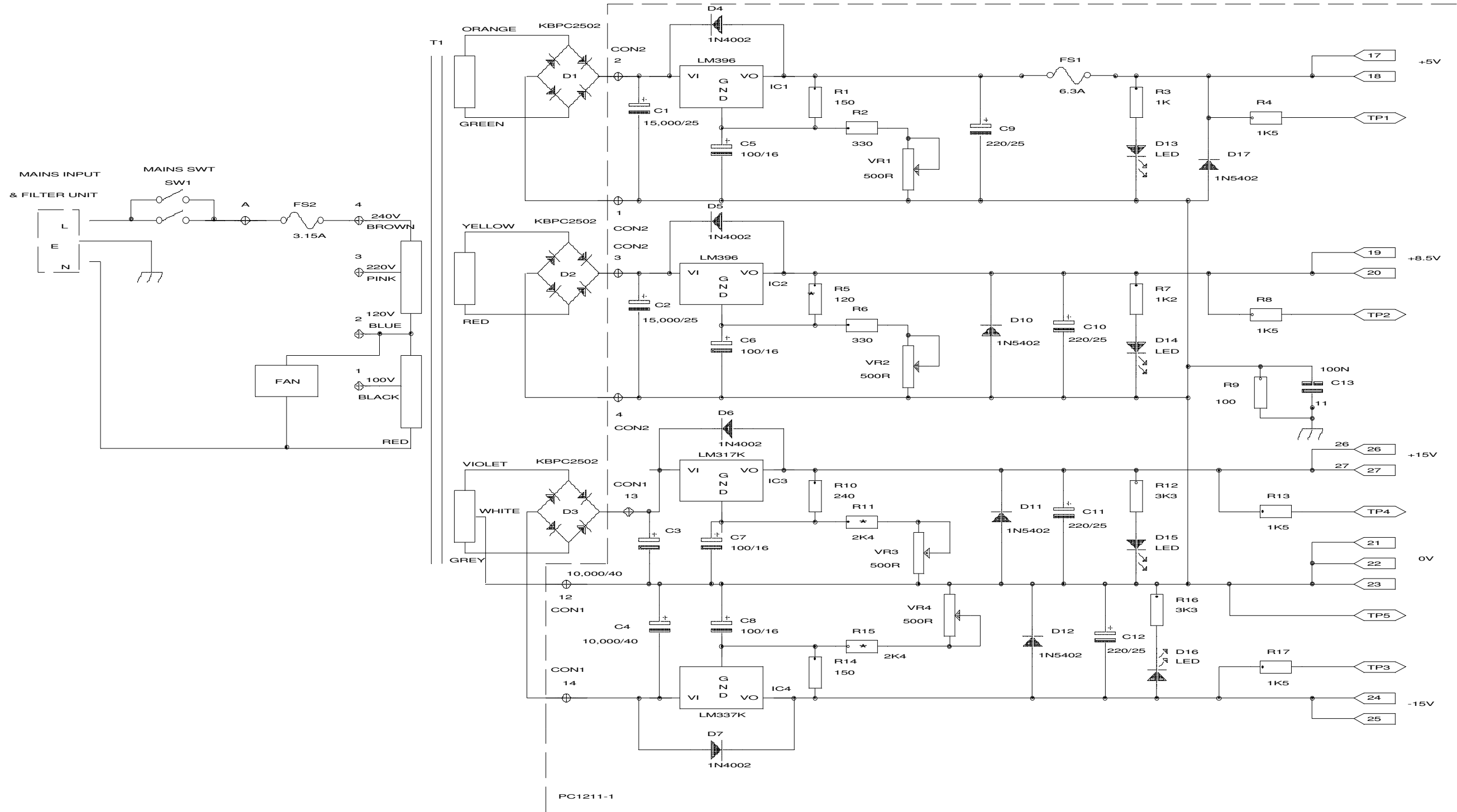
Title		
LED BARGRAPH CONTROL PCB		
Size	Document Number	REV
B	CD1123-3 (PC1252-3)	A
Date:	February 27, 1992	Sheet 1 of 1



NOTES	
REV 3	R75 WAS 180K
DDA, HOUNSLOW, MDDX, TW3 2EB, ENGLAND.	
TEL: (0)81 570 7161 FAX: (0)81 577 3877	
Title: LED BAR GRAPH METER	
Size: D	Document Number: CD1 109-4 (PC1232-4)
Date: September 1, 1993	Sheet: 1 of 1



DDA LTD. UNIT 1, INWOOD BUSINESS PARK WHITTON ROAD HOUNSLOW MDDX TW3 2EB		
Title PROFILE AUTOMATION (DDA) FADER WIRING		
Size B	Document Number CD1136	REV 1
Date: May 30, 1991	Sheet 1	of 1



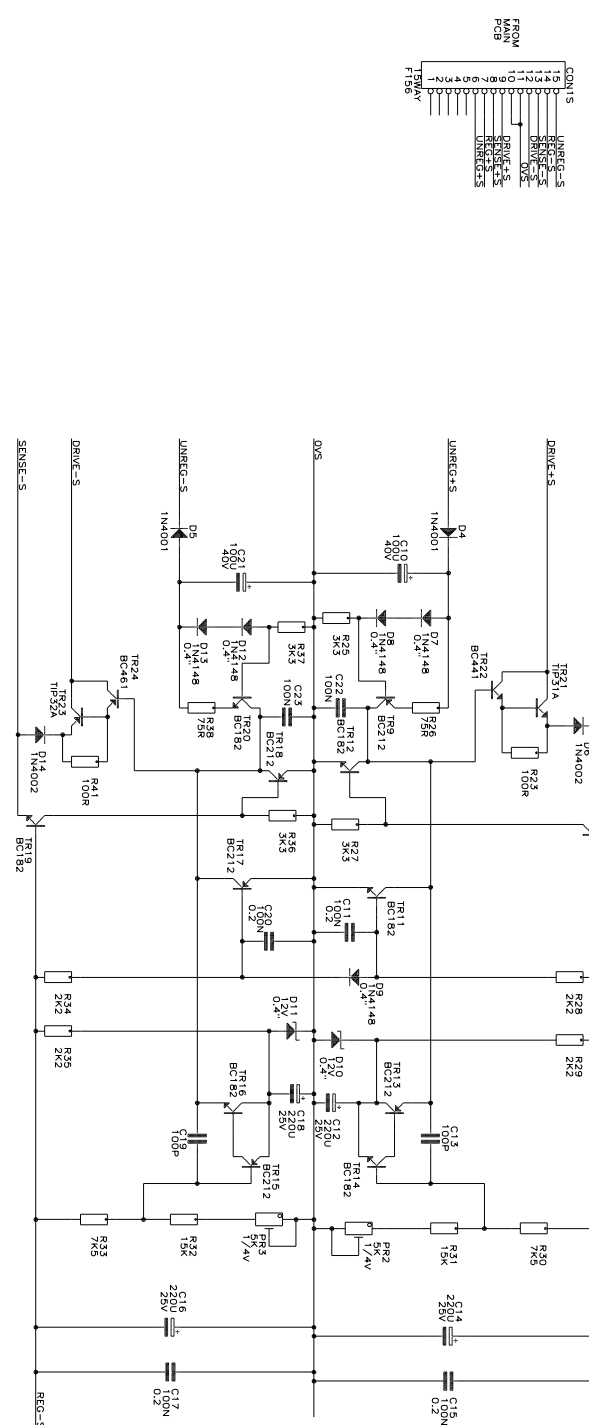
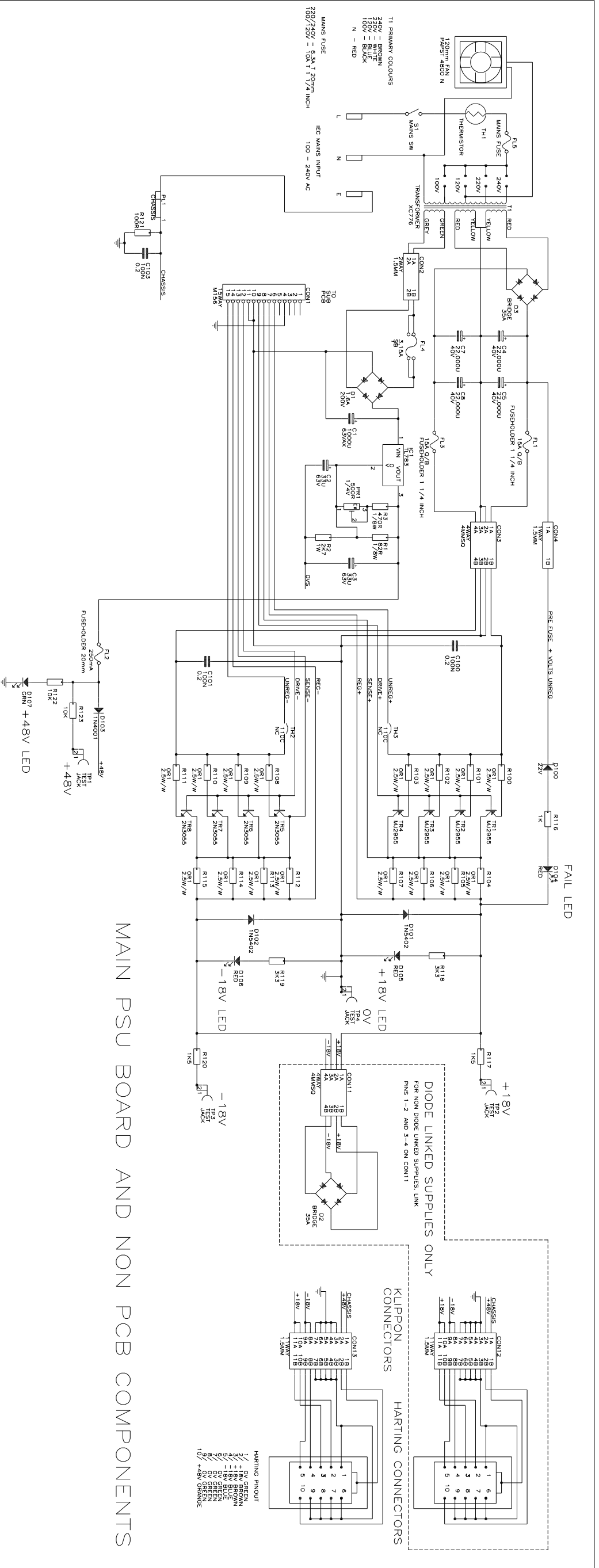
* - FOR OPTIFILE AUTOMATION

'R5' CHANGES TO '150R' TO GIVE '+5V'

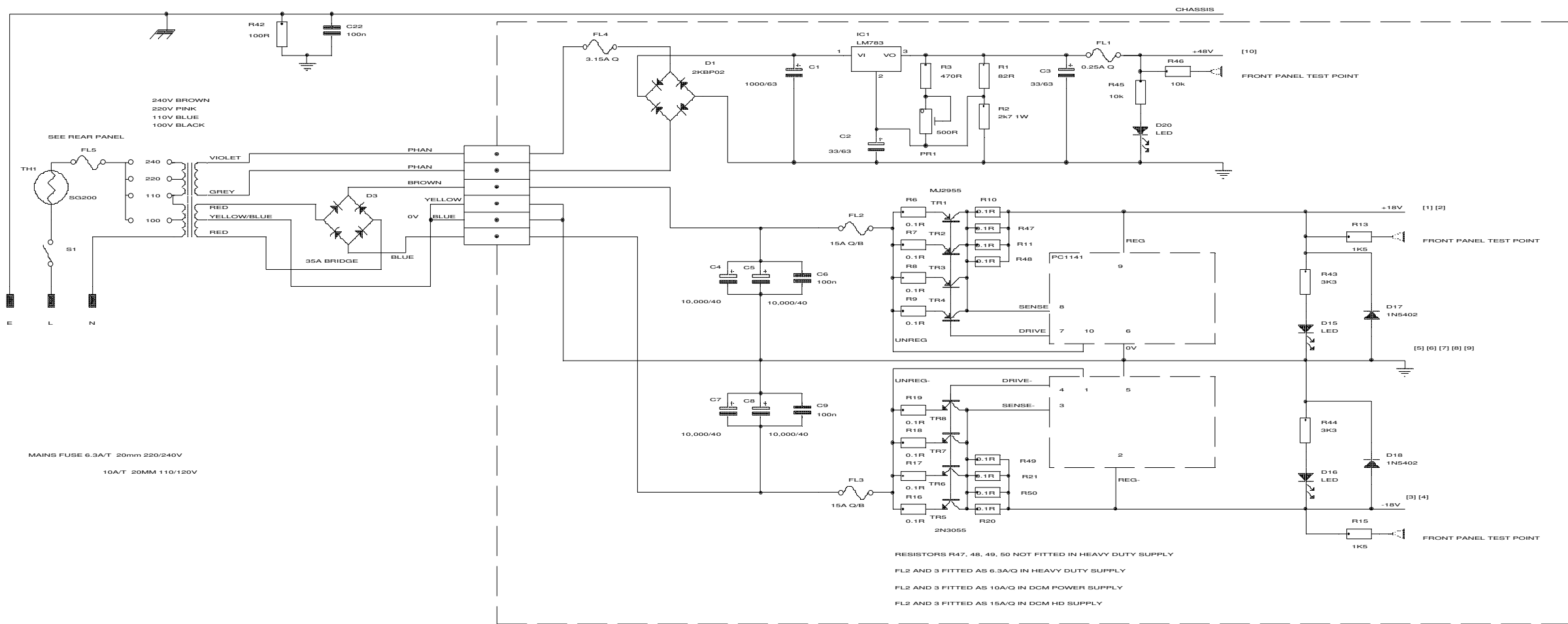
'R11' CHANGES TO '1K8' TO GIVE '+12V'

'R15' CHANGES TO '1K8' TO GIVE '-12V'

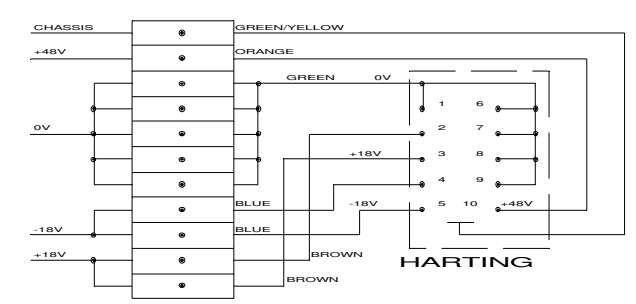
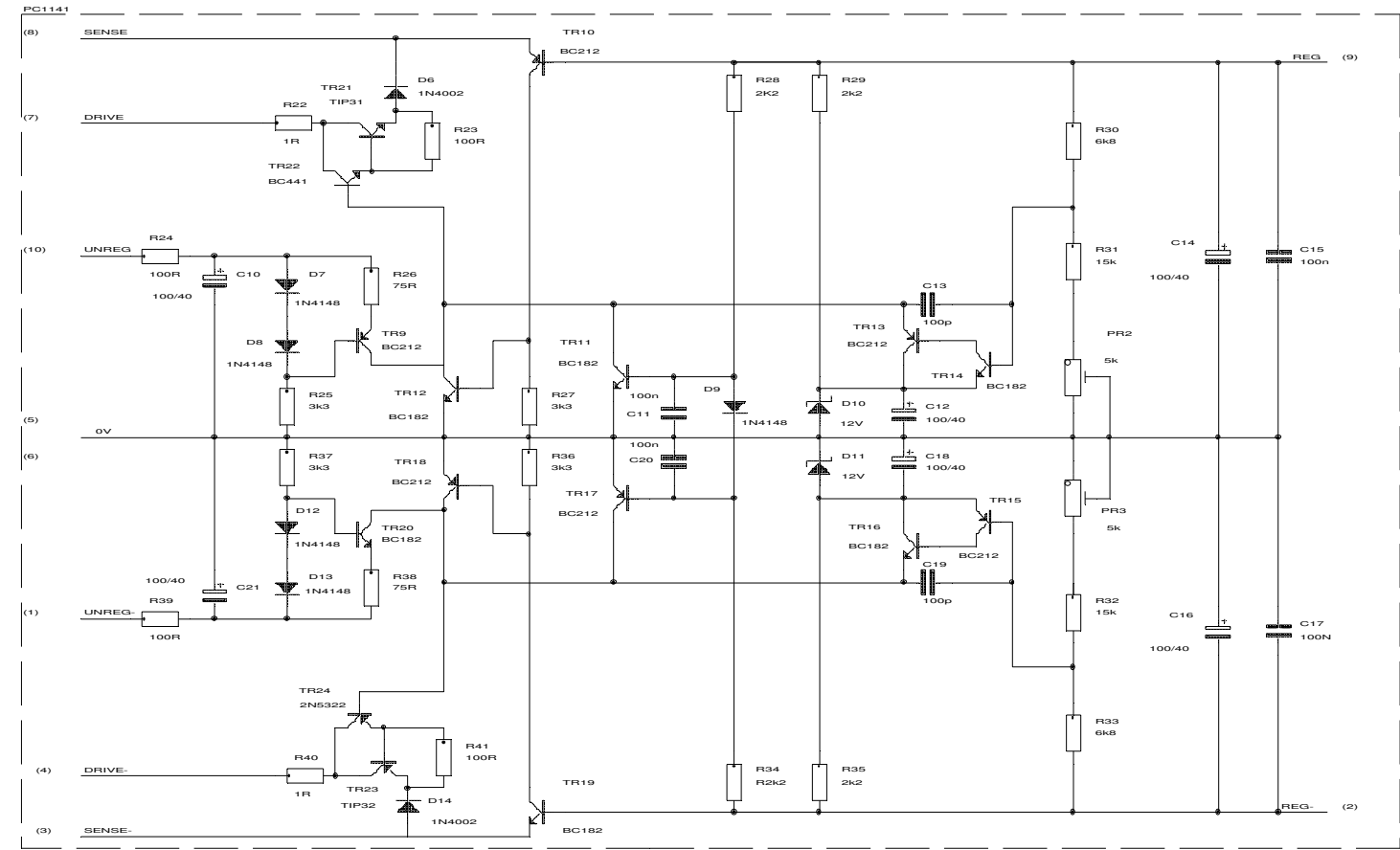
DDA LTD., HOUNSLOW, MIDDX, TW3 2EB, ENGLAND		
TEL: (0)81 570 7161 FAX: (0)81 577 3677		
Title		
PROFILE LOGIC PSU		
Size	Document Number	REV
B	CD1089-2	A
Date:	July 7, 1993	Sheet 1 of 1

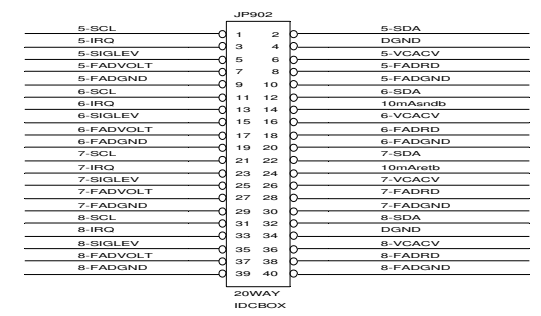
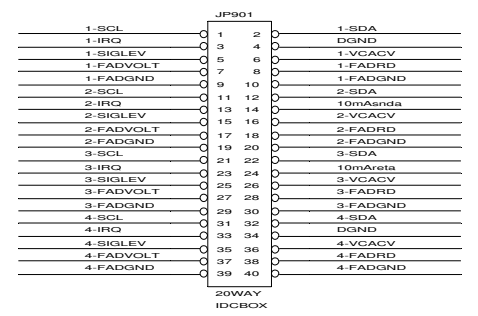
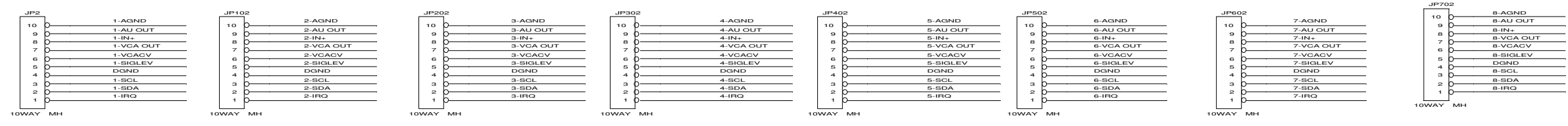
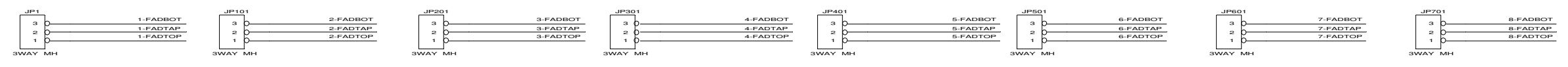
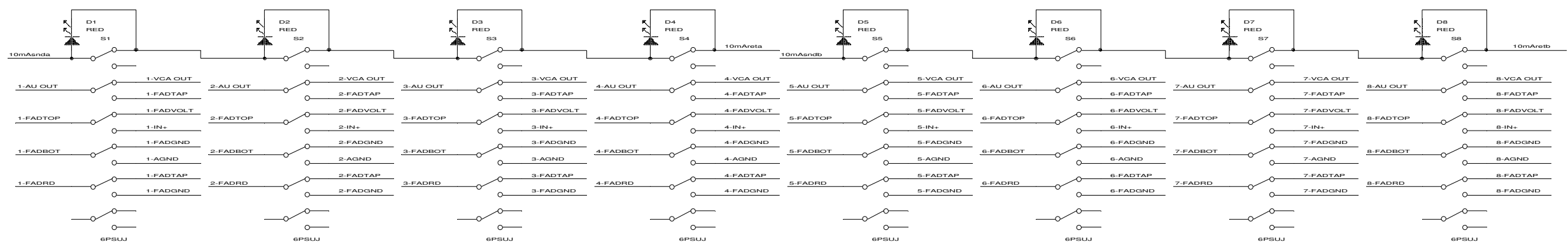


Doc No:	DDA_HOULSLOW_MDDX_TW3_2EB_ENGLAND
Title:	PSU 1500 COMPLETE
Size:	Document Number
REV:	01/26/98 13-13998 1/28



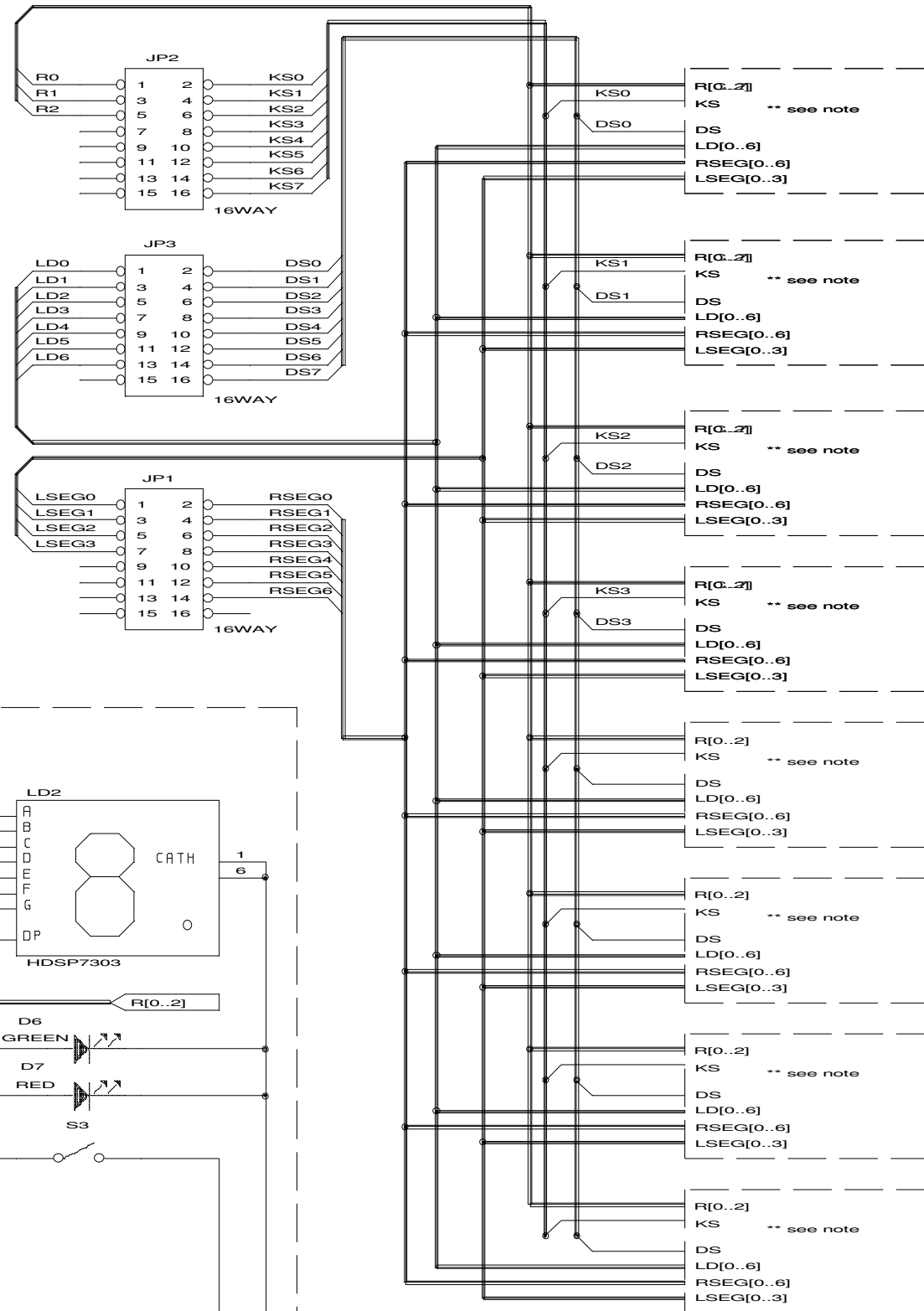
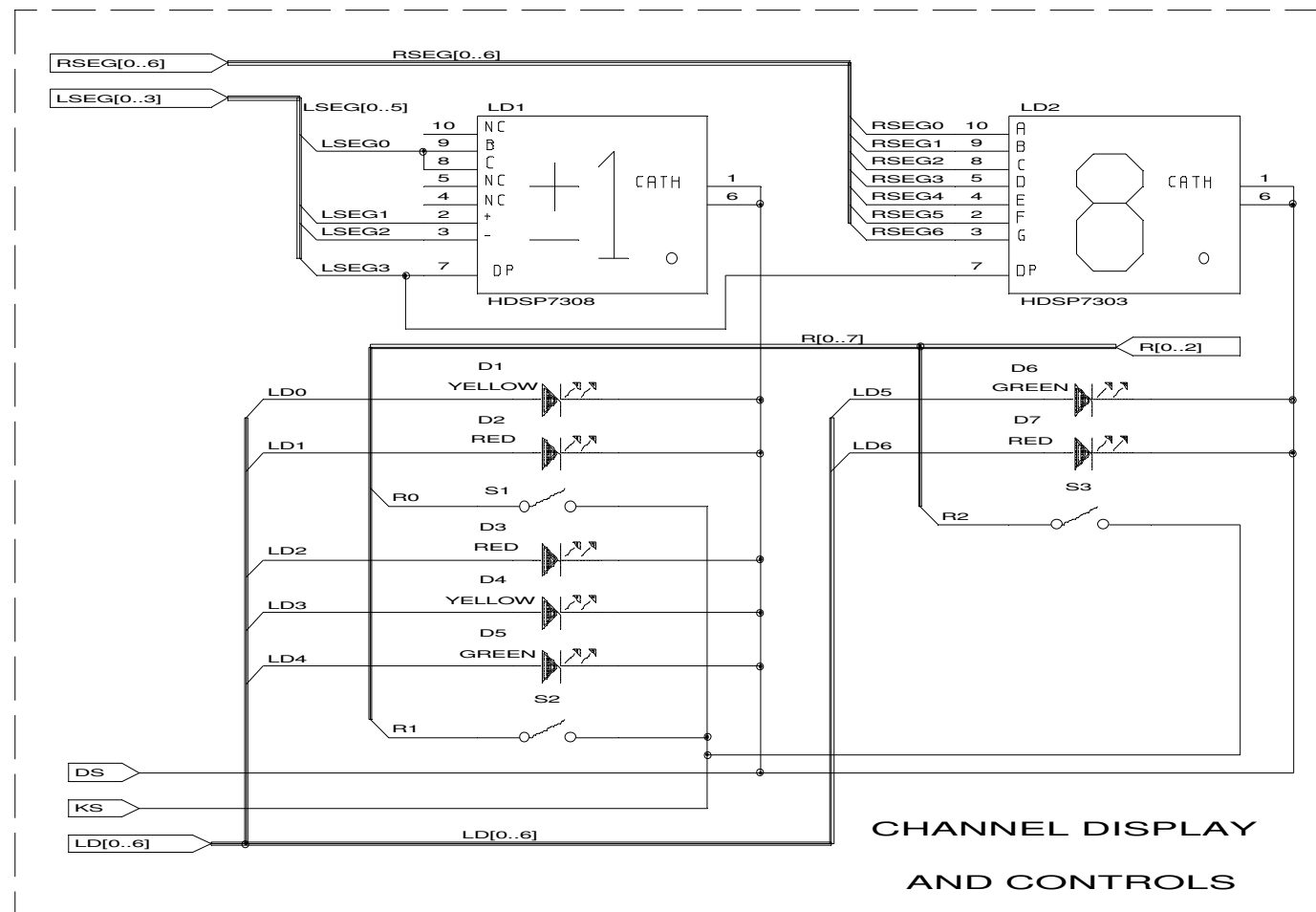
RESISTORS R47, 48, 49, 50 NOT FITTED IN HEAVY DUTY SUPPLY
 FL2 AND 3 FITTED AS 6.3A/Q IN HEAVY DUTY SUPPLY
 FL2 AND 3 FITTED AS 10A/Q IN DCM POWER SUPPLY
 FL2 AND 3 FITTED AS 15A/Q IN DCM HD SUPPLY



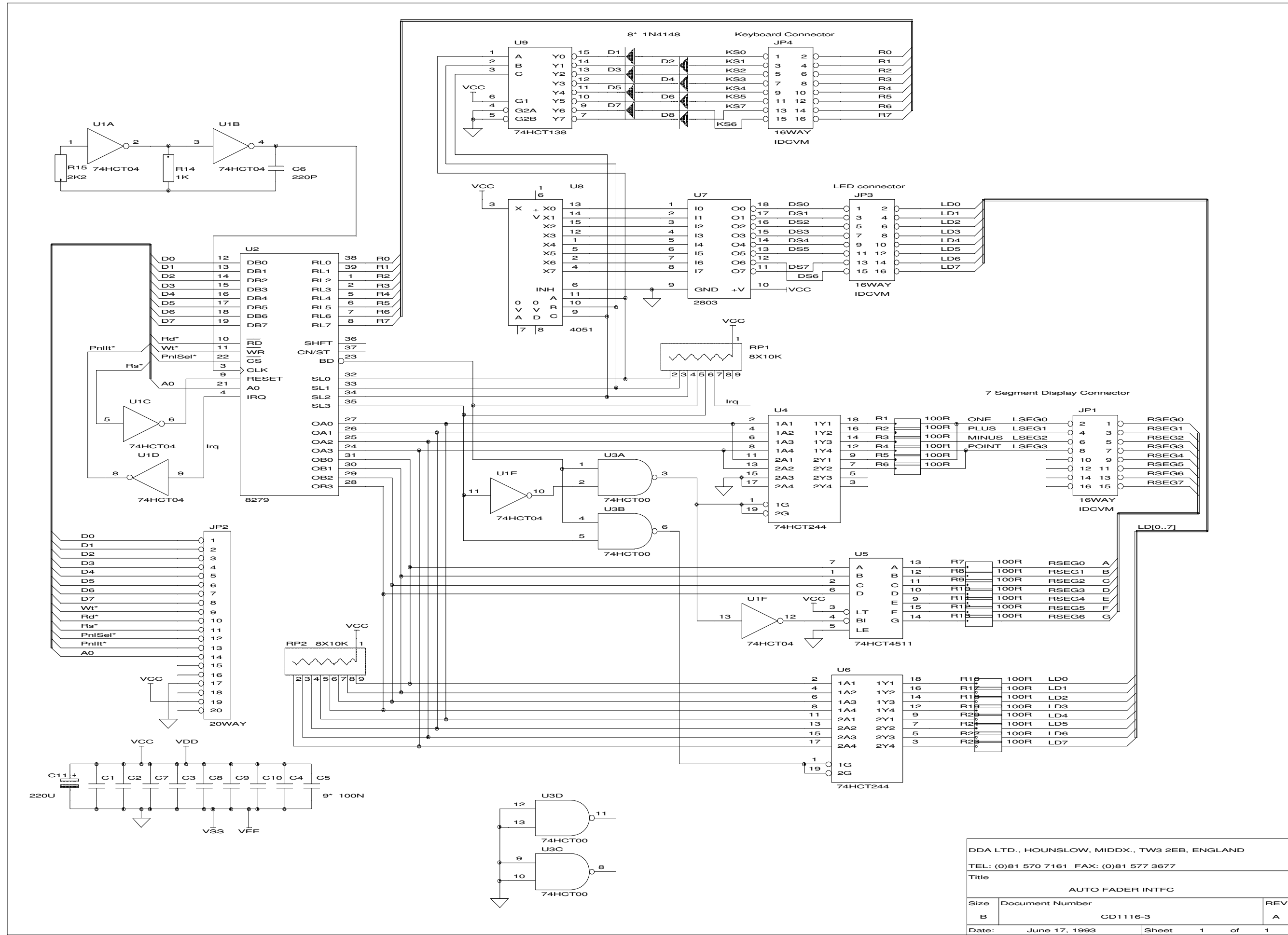


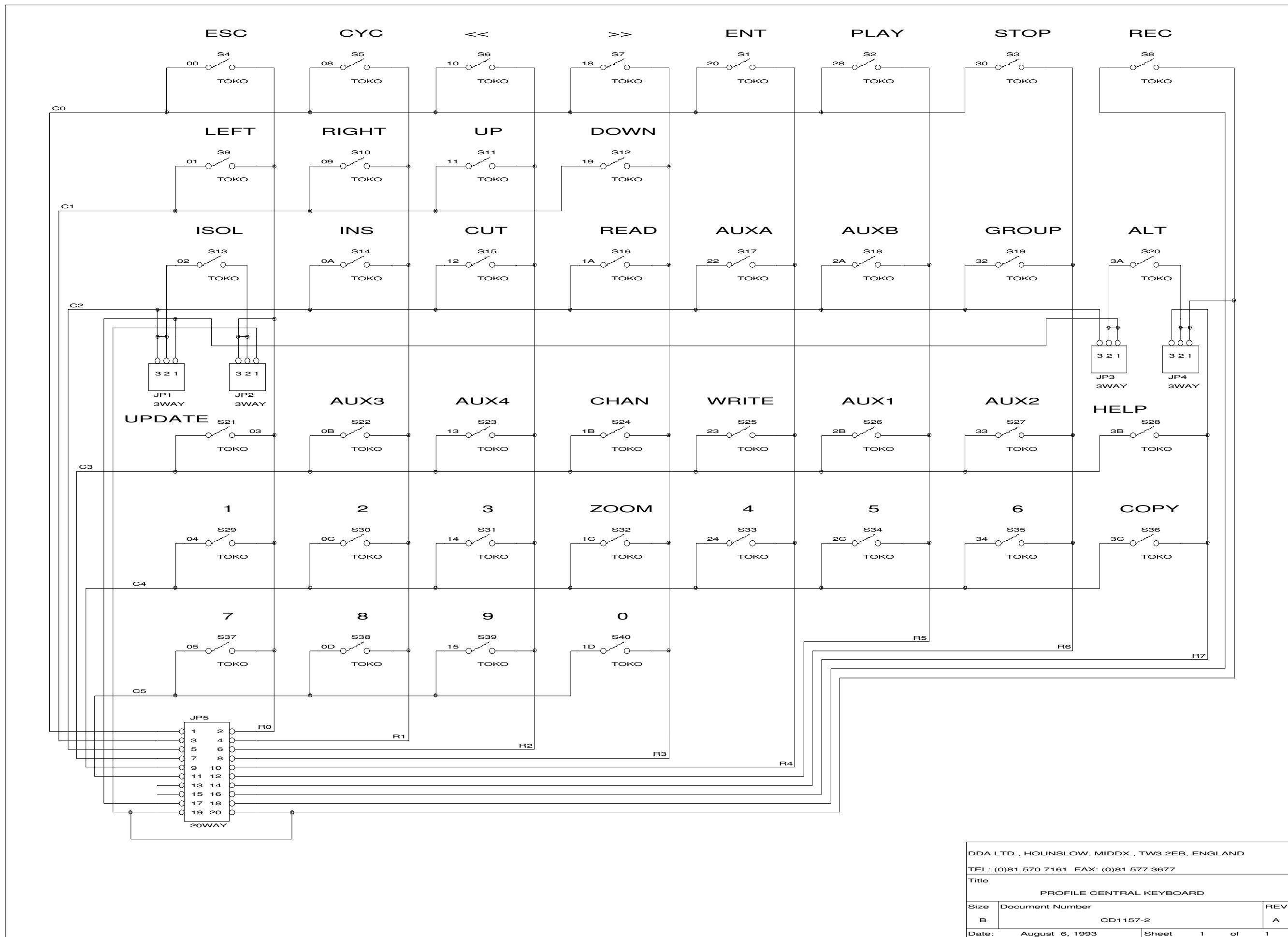
**** Note:**

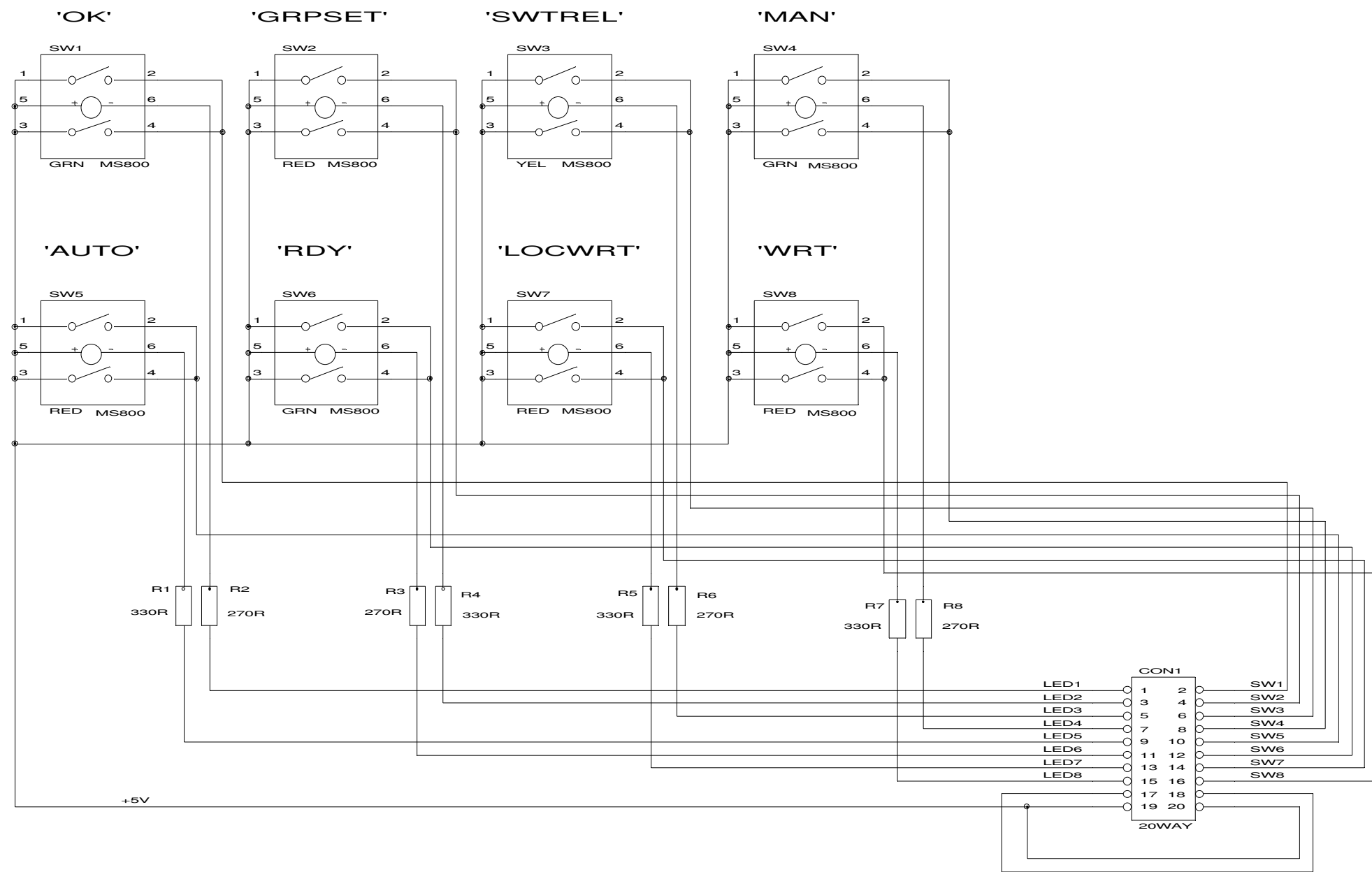
channel display and control block
repeated 8 times and shown below



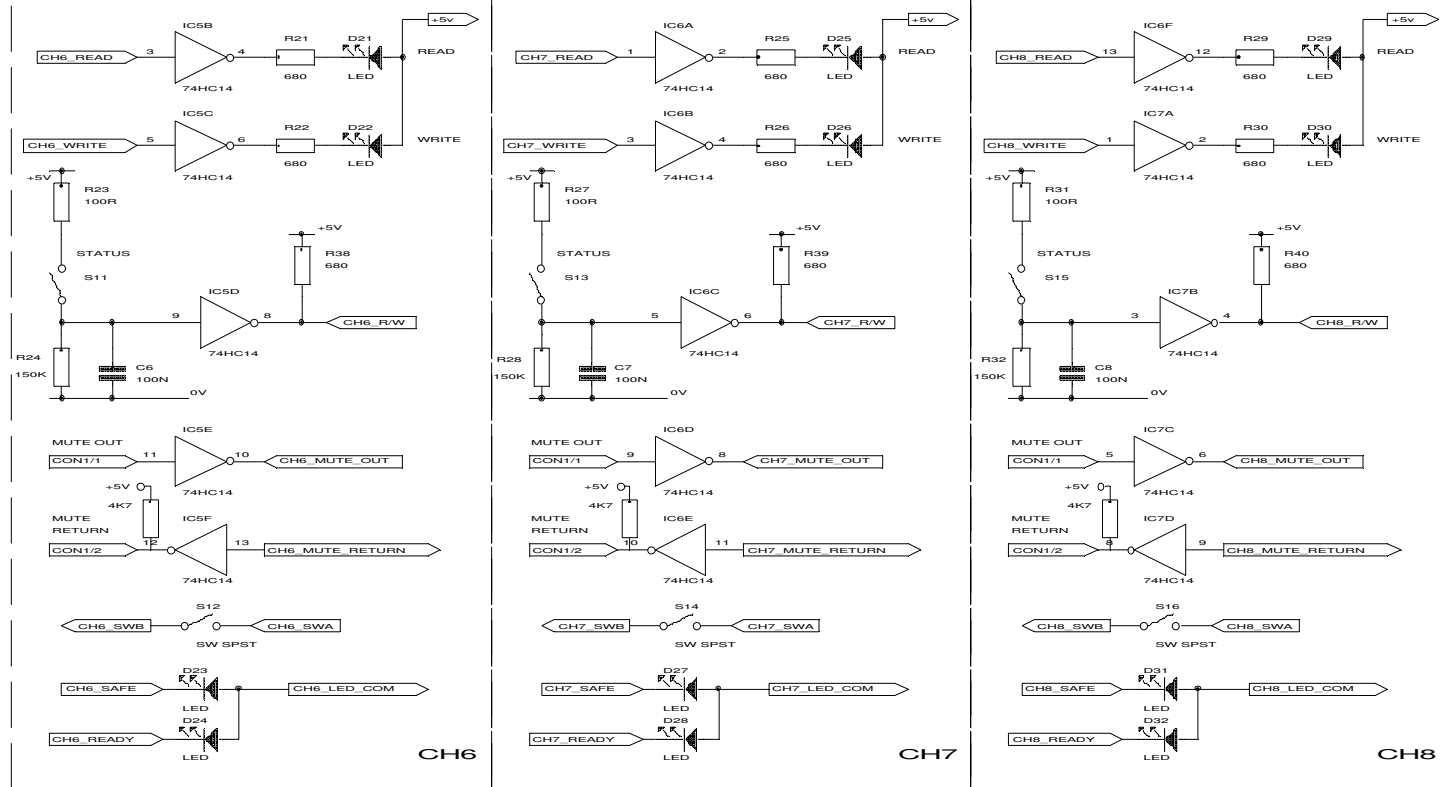
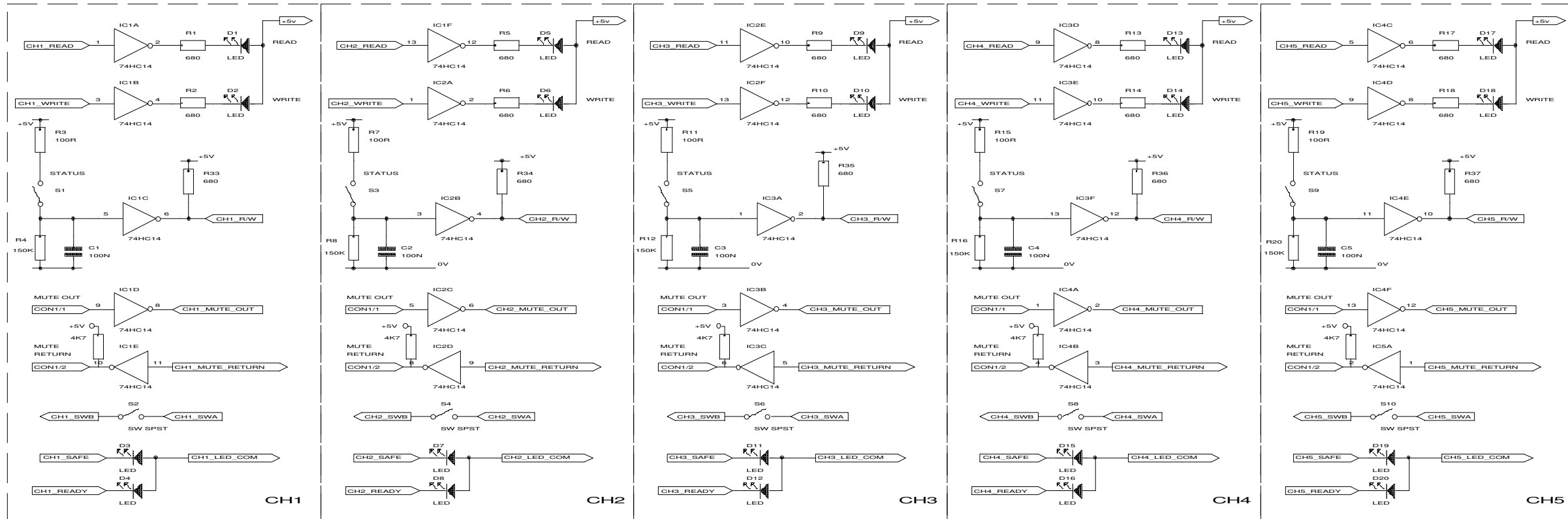
DDA LTD., HOUNSLOW, MIDDX., TW3 2EB, ENGLAND		
TEL: (0)81 570 7161 FAX: (0)81 577 3677		
Title		
AUTOMATION FADER CONTROL PANEL		
Size	Document Number	REV
B	CD1117-1	A
Date:	June 17, 1993	Sheet 1 of 1



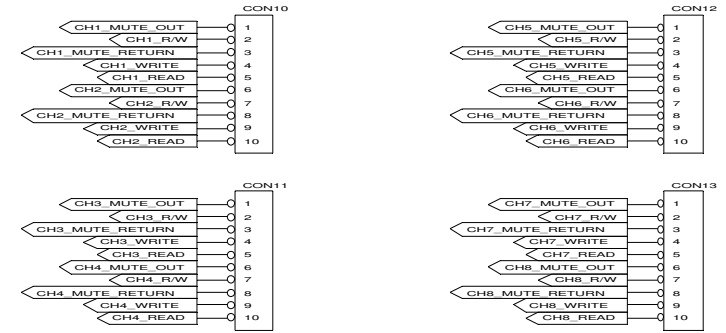




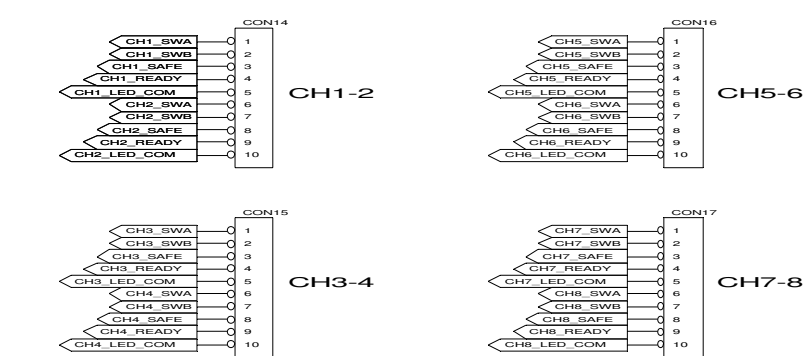
DDA, HOUNSLOW, MIDDX, TW3 2EB, ENGLAND.		
Title		
PROFILE UPTOWN CONTROL BOARD		
Size	Document Number	REV
B	CD1153-1	A
Date:	July 27, 1992	Sheet 1 of 1



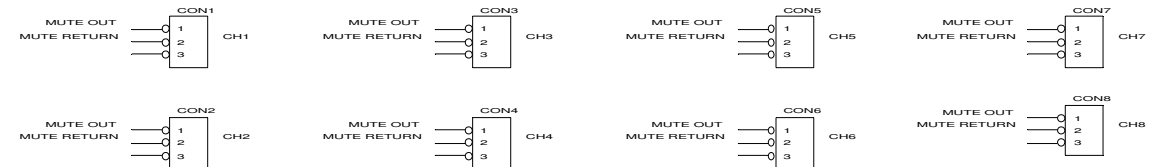
OPTIFILE MUTE INTERFACE



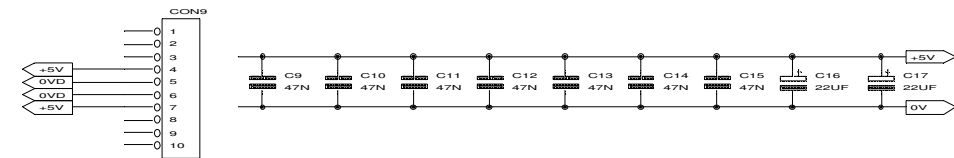
TRACK SELECT INTERFACE

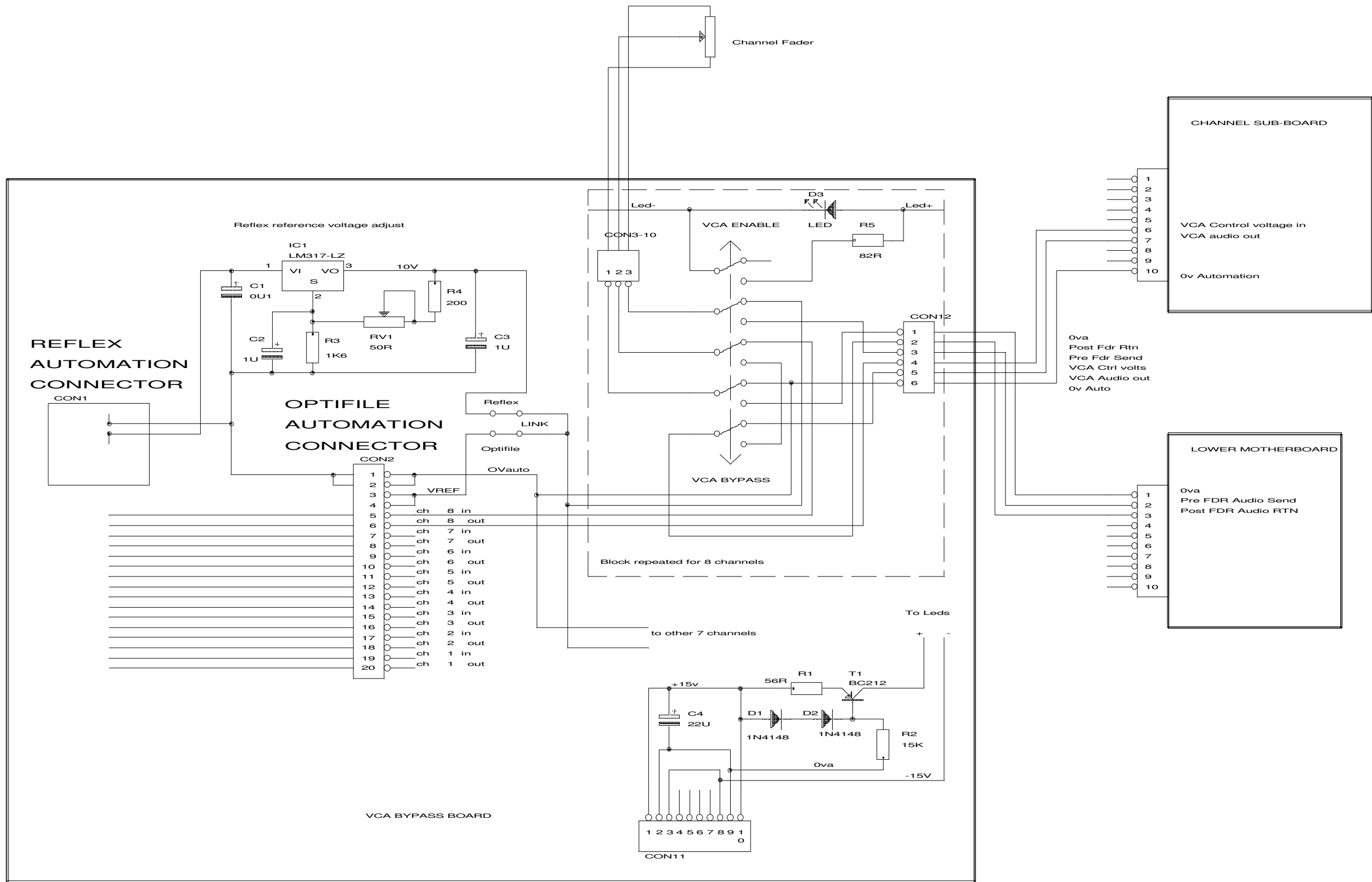


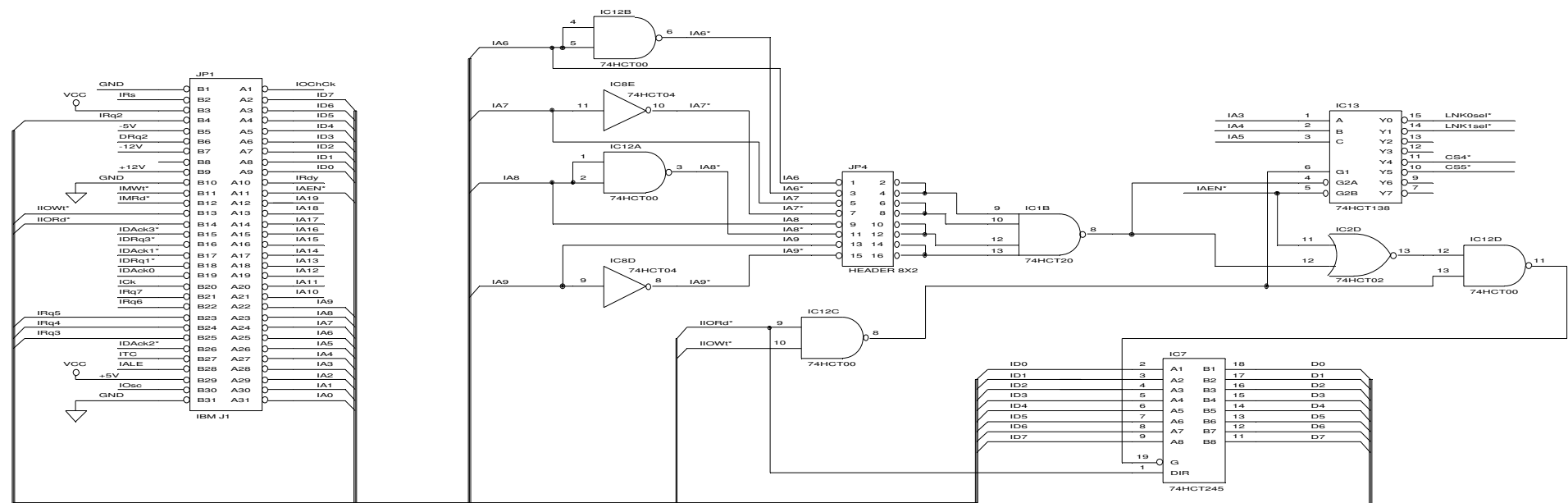
CHANNEL MUTE CONNECTIONS



POWER SUPPLY CONNECTOR

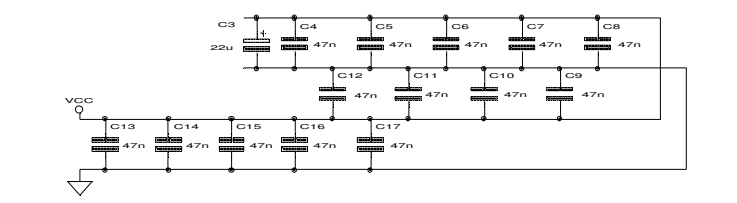




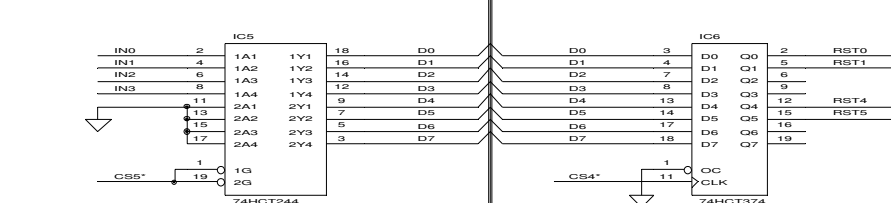
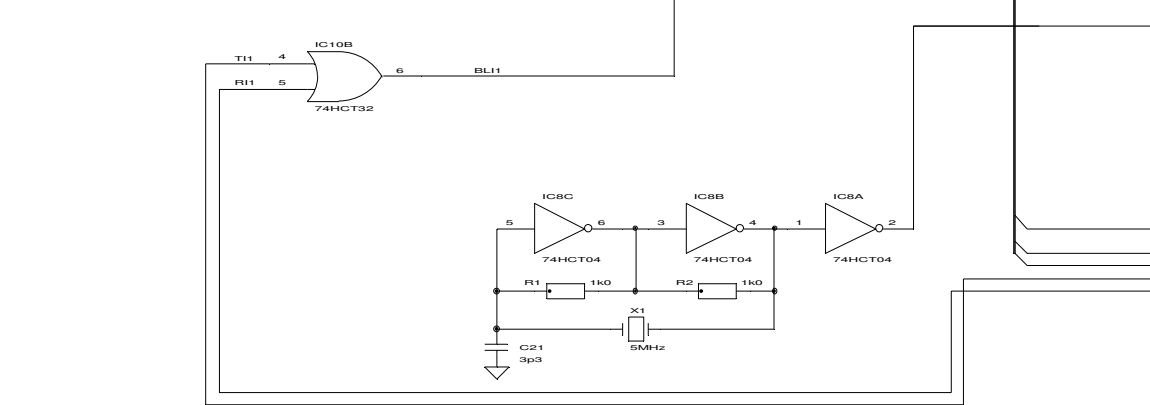
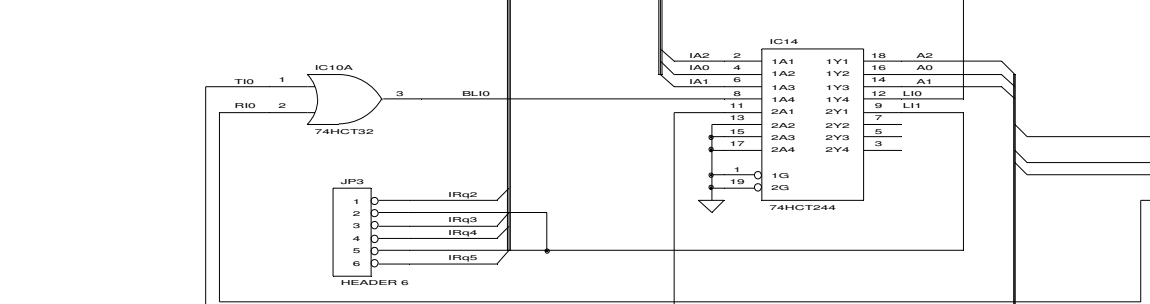


PATCHING LINK

ADDRESS SPACE	A	B	C	D	E	F	G	H
100	-	X	-	X	X	-	-	X
140	X	-	-	X	X	-	-	X
180	-	X	X	-	X	-	-	X
1C0	X	-	X	-	X	-	-	X
200	-	X	-	X	-	X	-	X
240	X	-	-	X	-	X	-	X
280	-	X	X	-	-	X	-	X
2C0	X	-	X	-	-	X	-	X
300	-	X	-	X	X	-	X	-
340	X	-	-	X	X	-	X	-
380	-	X	X	-	X	-	X	-
3C0	X	-	X	-	X	-	X	-



SET LINK BETWEEN PINS 5 & 6 FOR NORMAL OPERATION

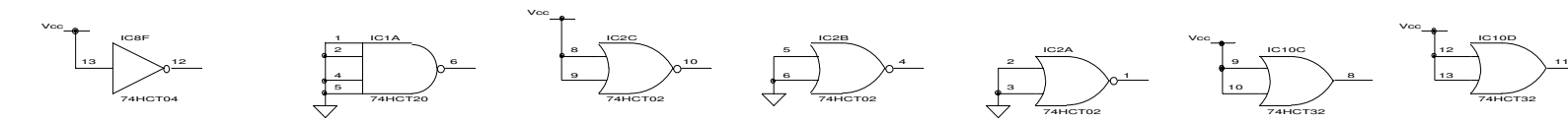
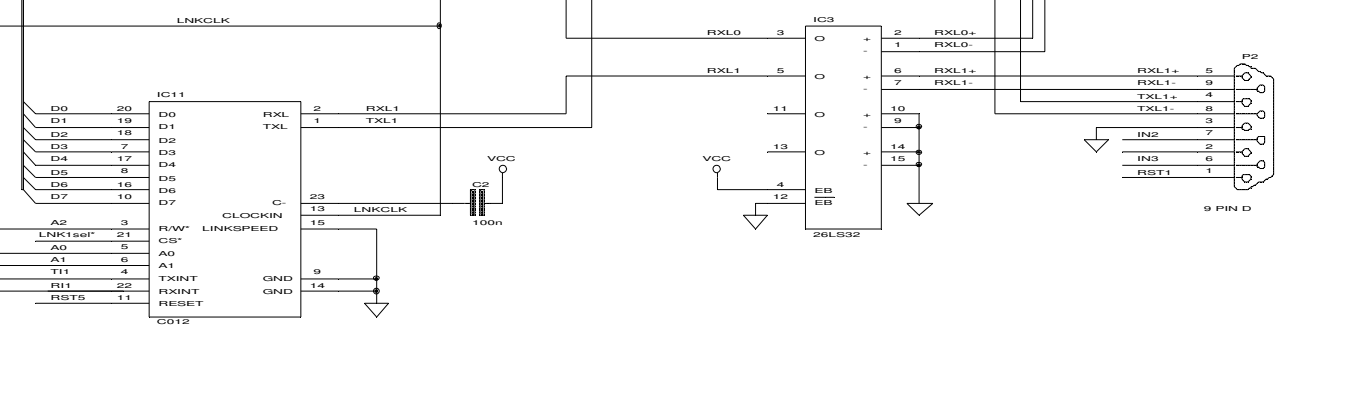
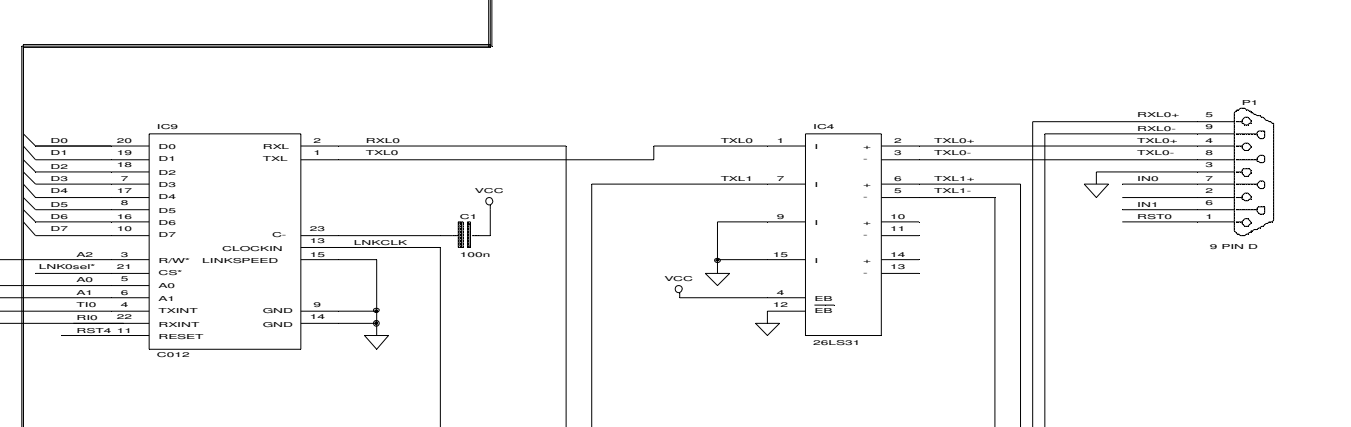


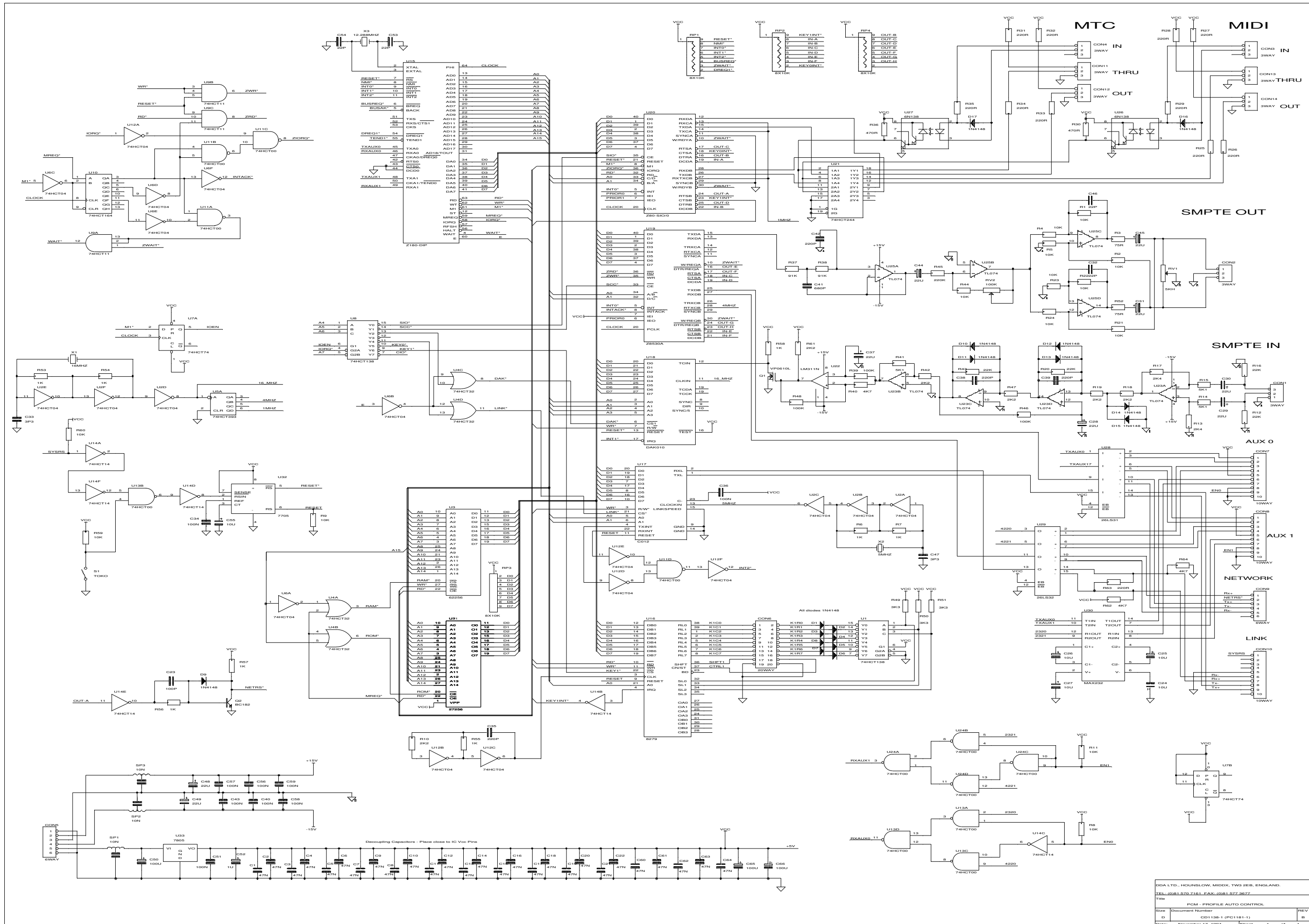
BUS TERMINATION RESISTORS

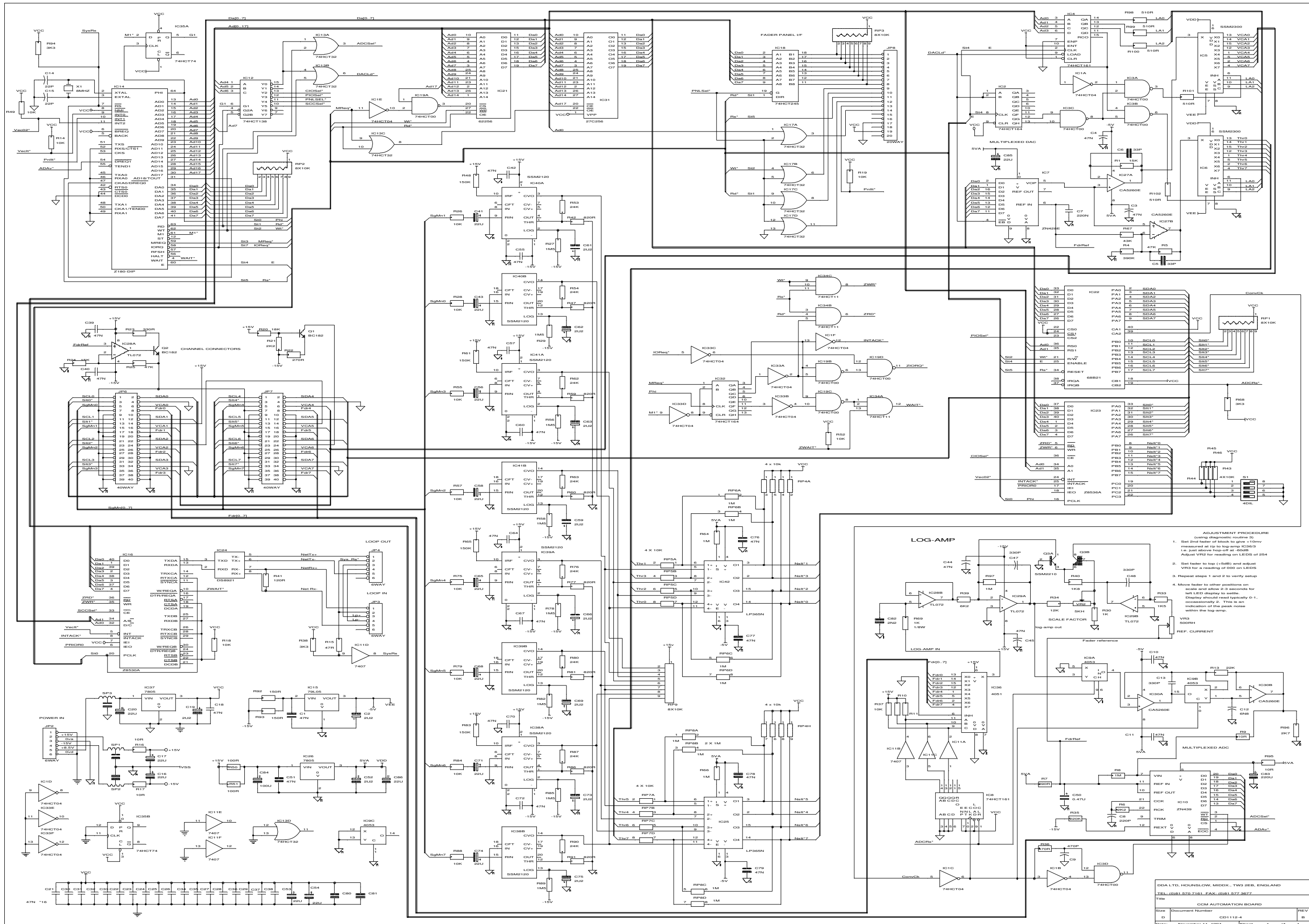
RXL0+ R7 10K RXL0-
RXL1+ R8 10K RXL1-

R7 & R8 FITTED AS STANDARD

FIT R3/4, R5/6 AS REQUIRED



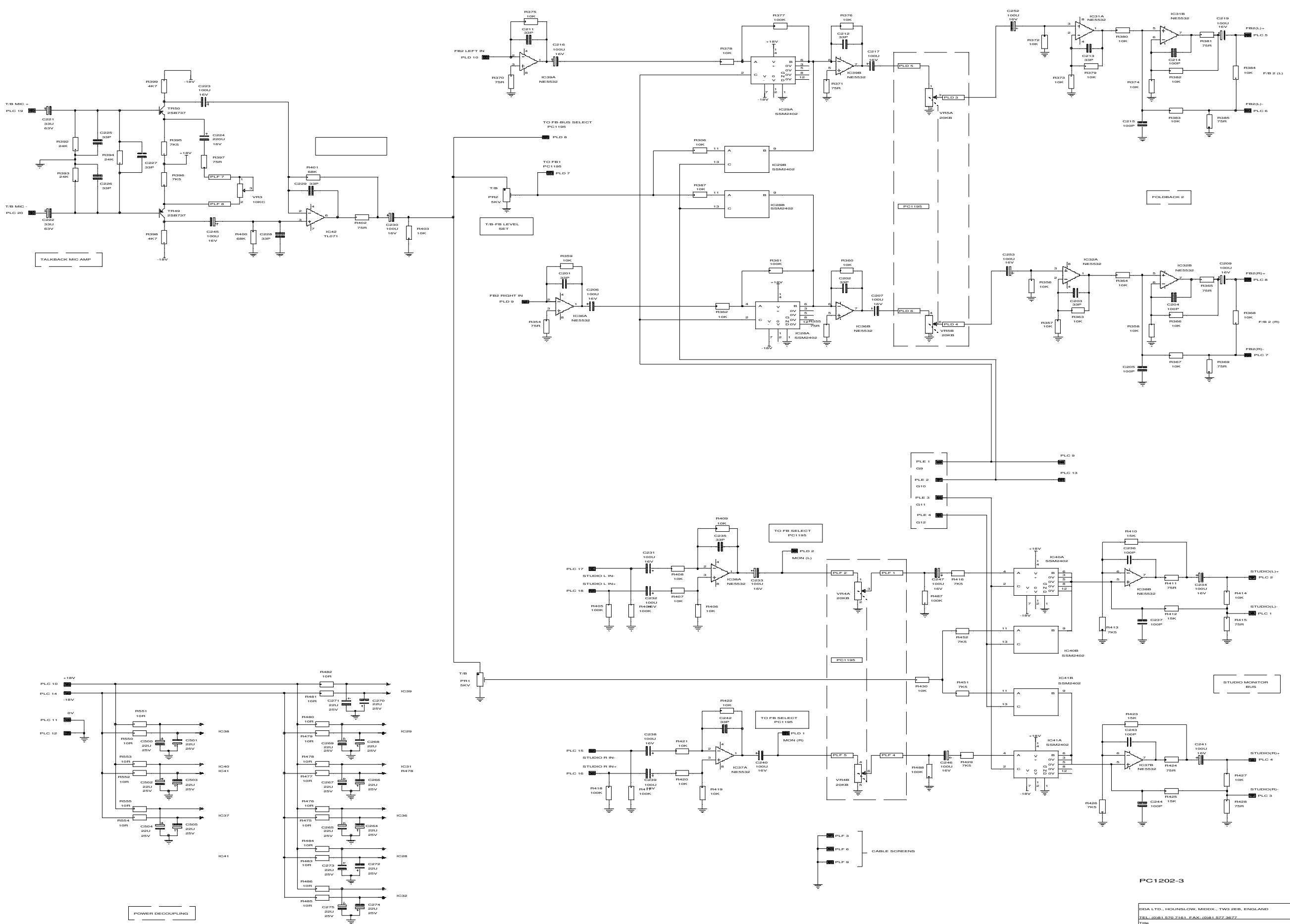


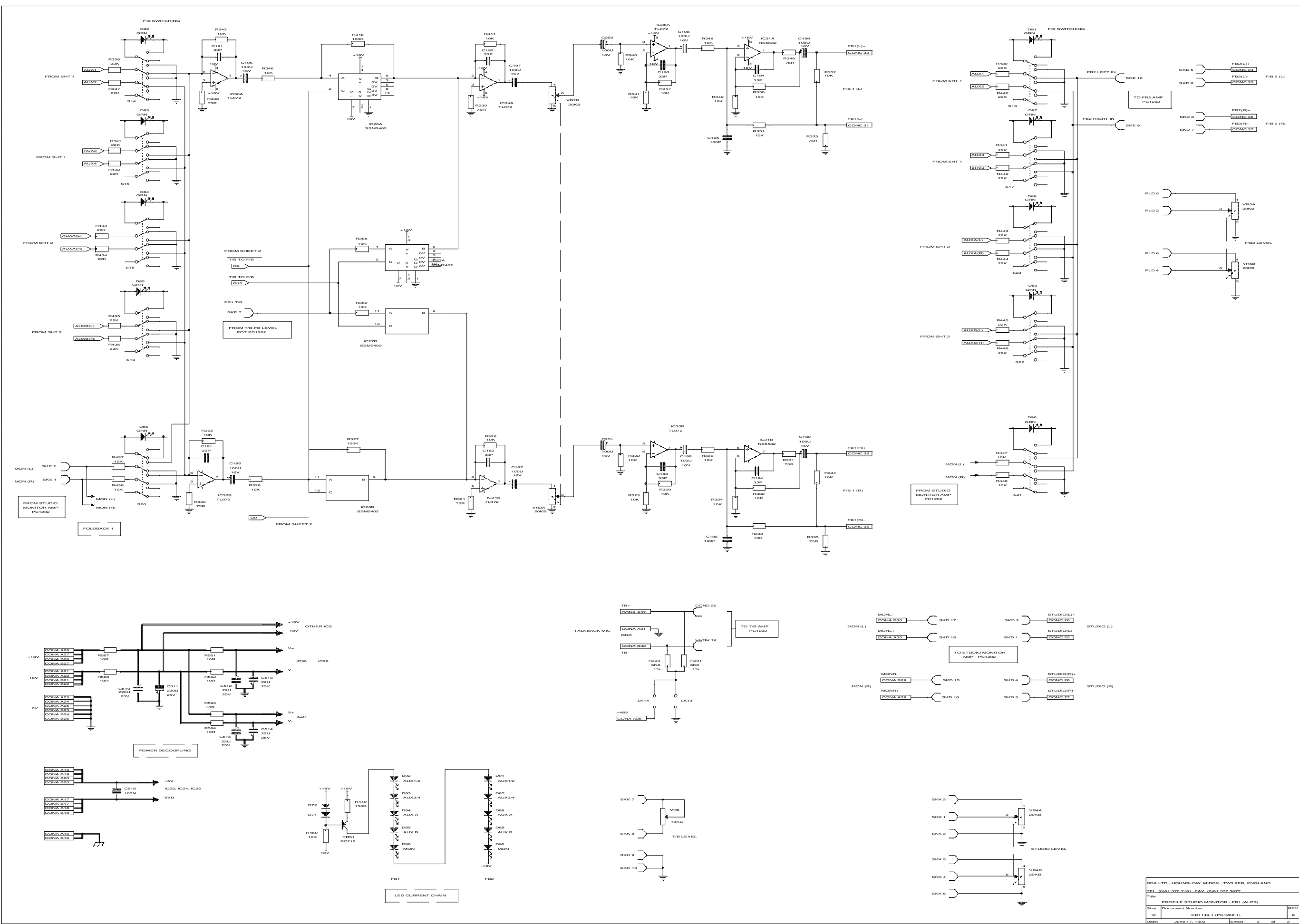


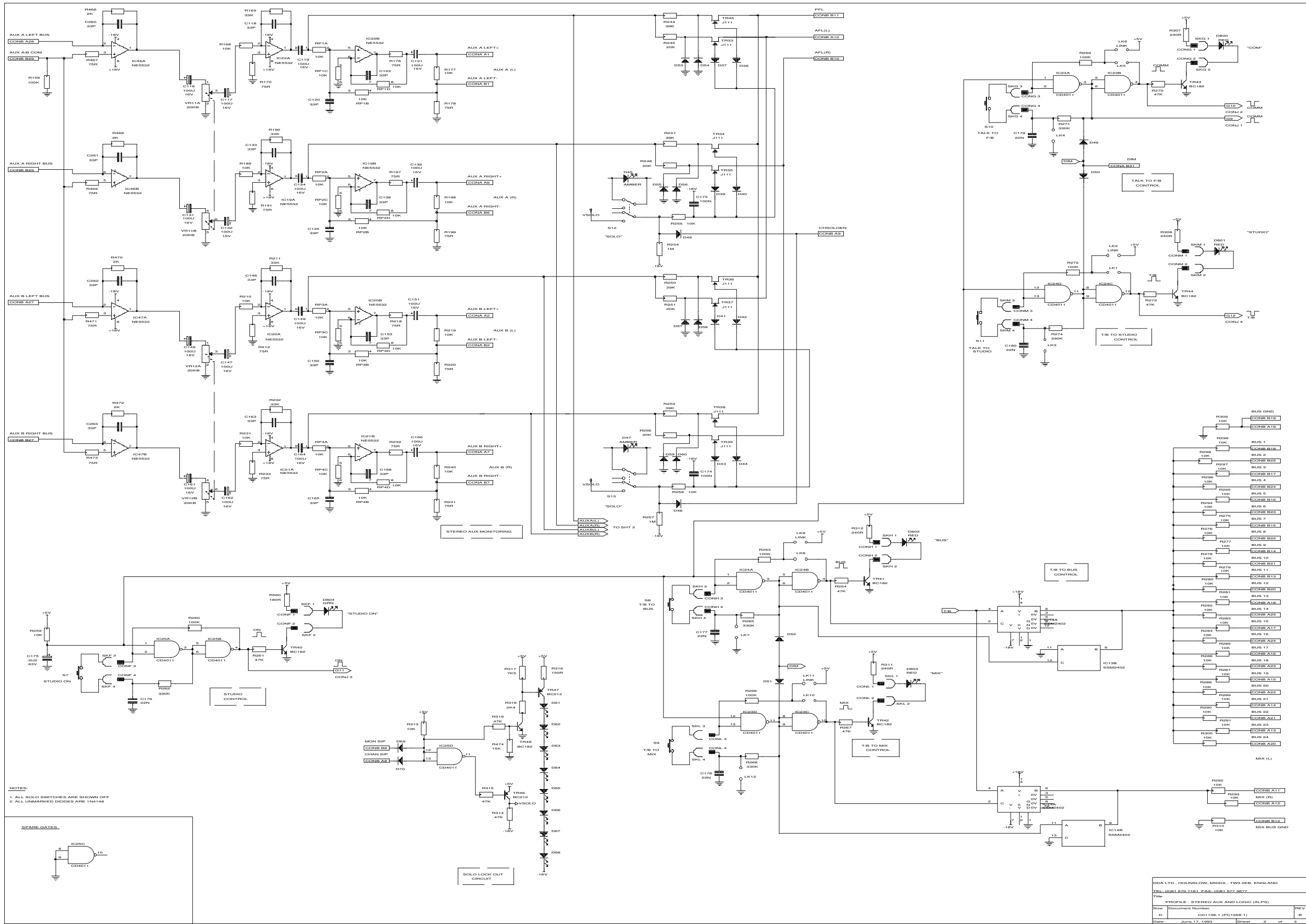
ADJUSTMENT PROCEDURE
(Using diagnostic routine 3)

- Set 2nd fader of block to give +10mv measured at 10 to log amp IC308 (i.e. just above hop-off at 60dB). Adjust VFD for reading on LEDs of 354.
- Set fader to top (+50dB) and adjust VFD for a reading of 000 on LEDs.
- Repeat steps 1 and 2 to verify setup.
- Move fader to other positions on scale and allow 2-3 seconds for hot LED display to settle. Display should read typically 0-1, incoherently 0. This is an indication of the peak noise within the log amp.

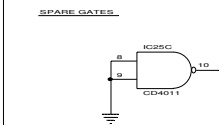
VFD 500RH
REF. CURRENT

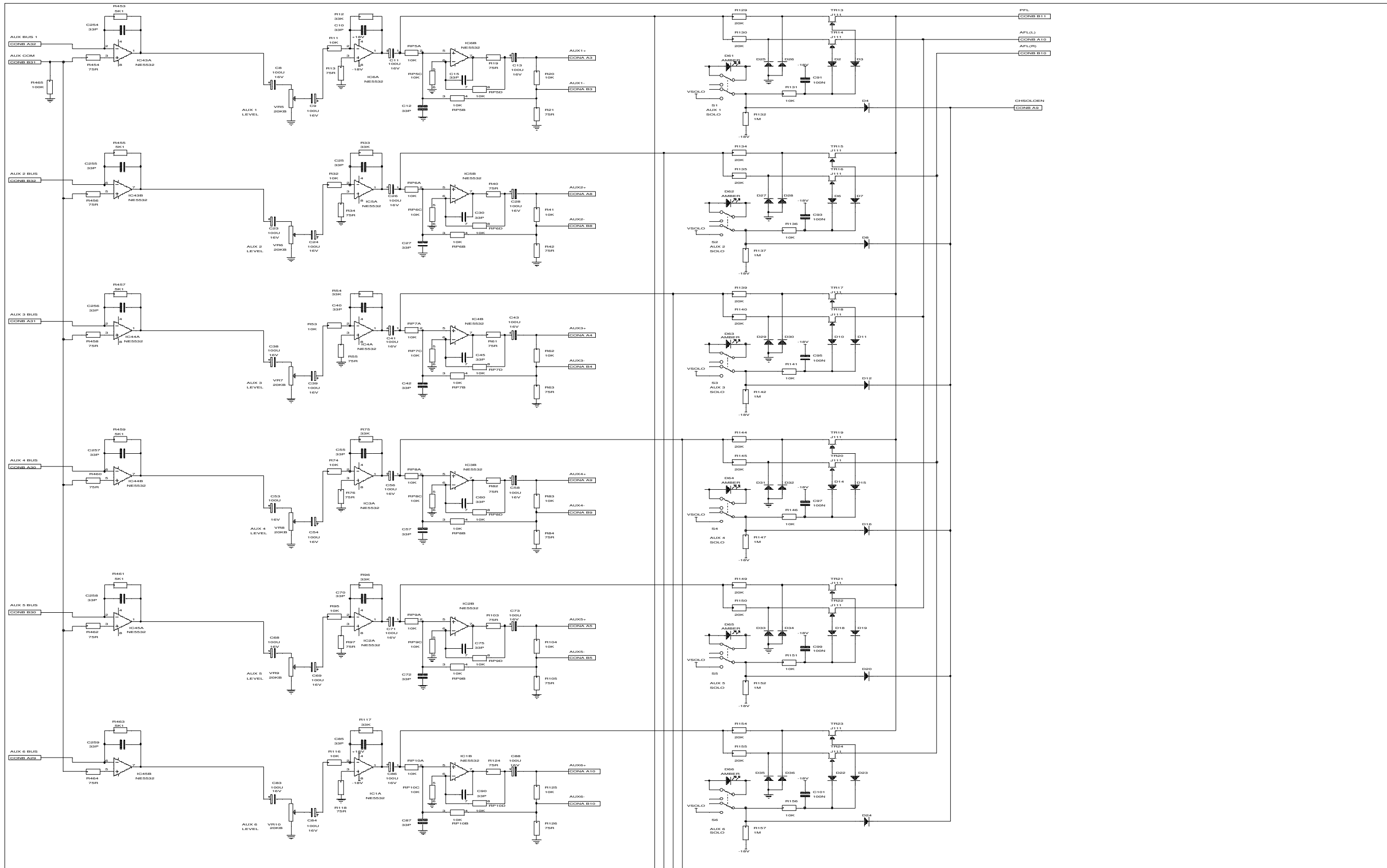




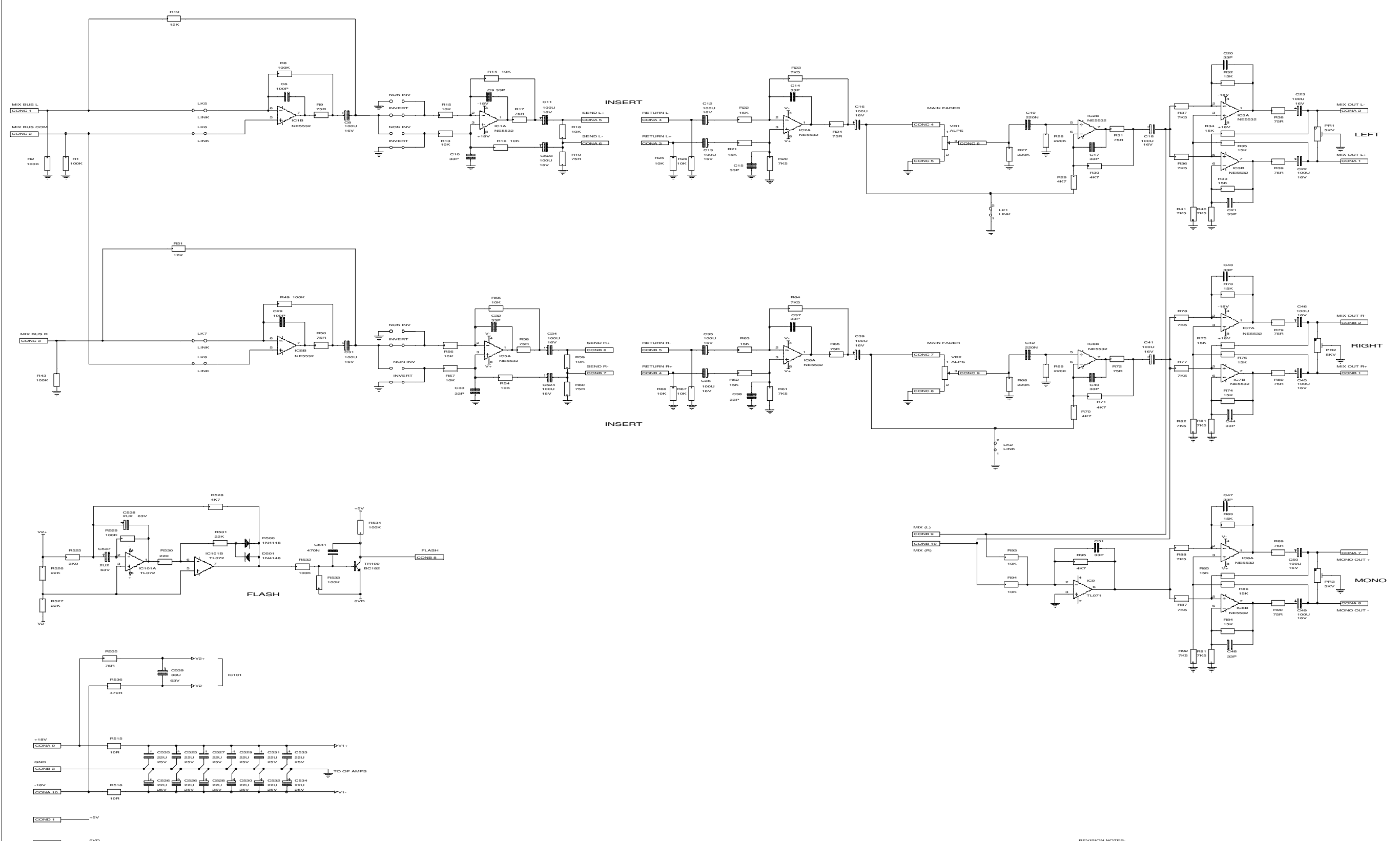


NOTES:
 1. ALL SOLO SWITCHES ARE SHOWN OFF
 2. ALL UNMARKED DIODES ARE 1N4148

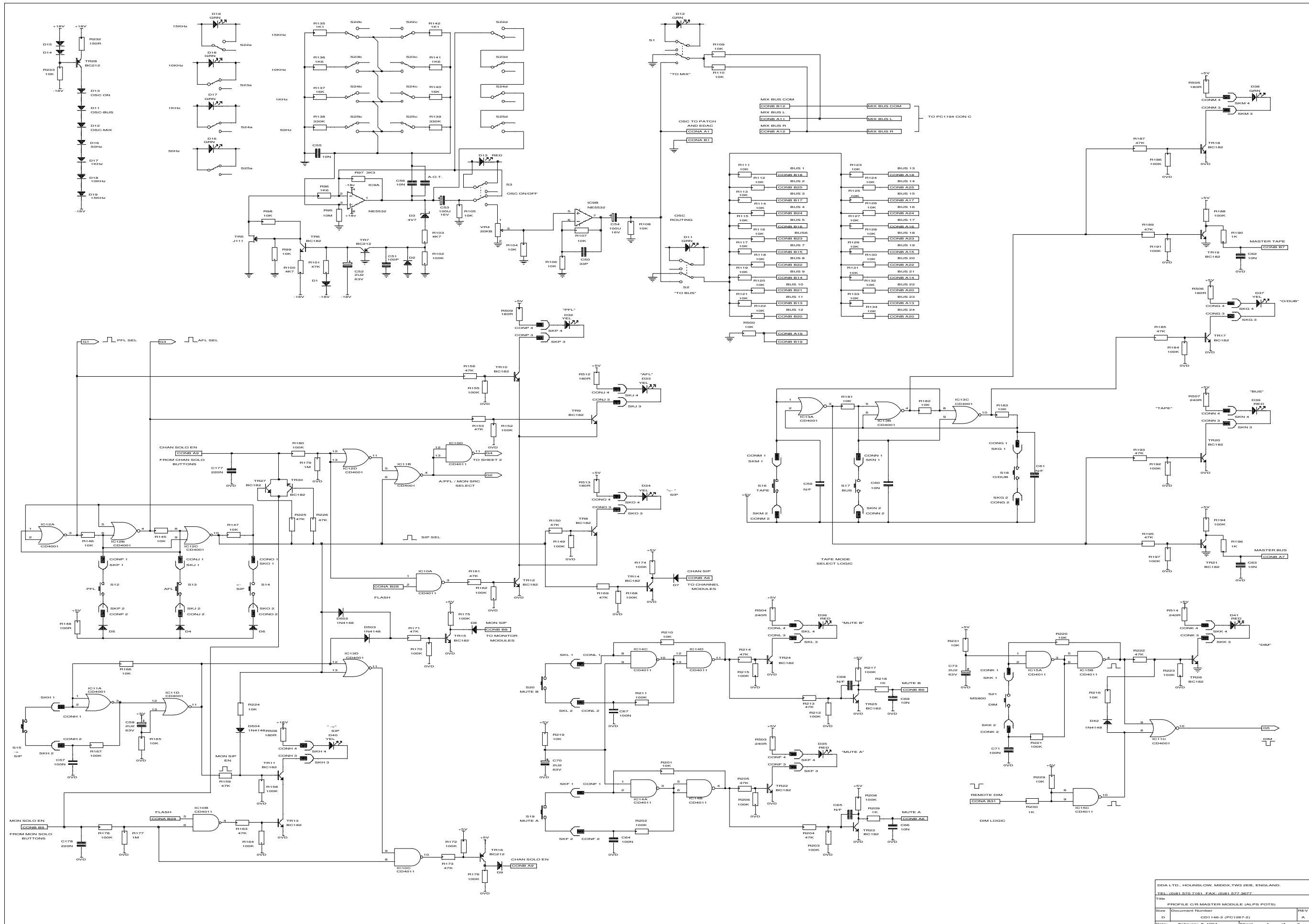


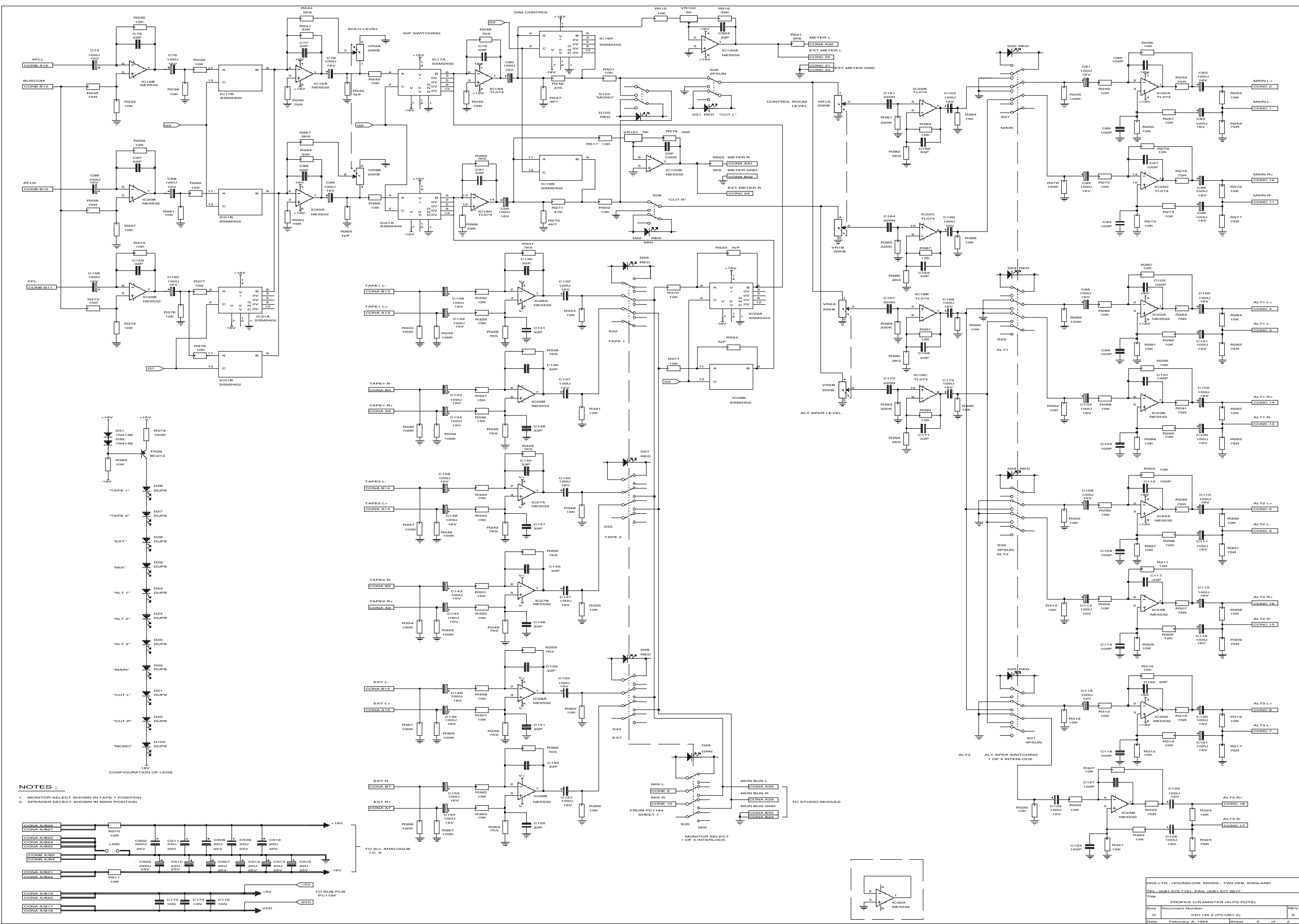


NOTES:
 1. ALL SOLO SWITCHES SHOWN OFF



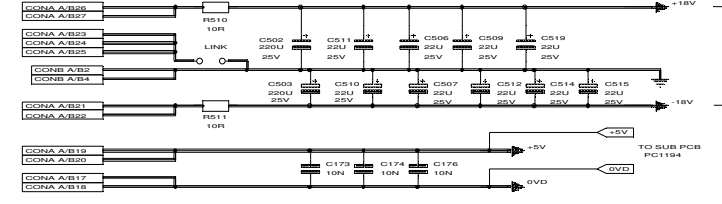
- REVISION NOTES**
- ISS 3 R83,R84 WERE 2K4 NOW 10K
R87,R88 WERE 7K5 NOW 1K
 - ISS 4 R83,R84,R85,R86 WERE 15K NOW 33K
R87,R88 WERE 1K NOW 7K5
- ADDED IC9
IMPROVED FLASH CIRCUIT
ADDED LINKS FOR NORMAL MIX AMP

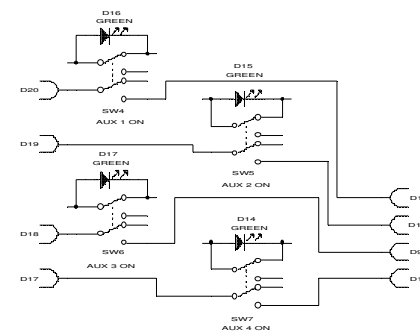
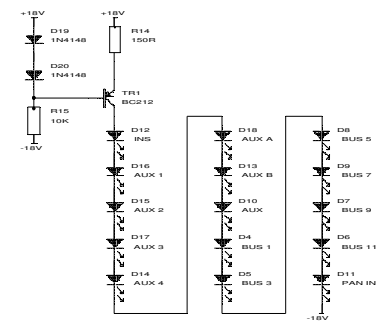
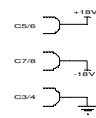
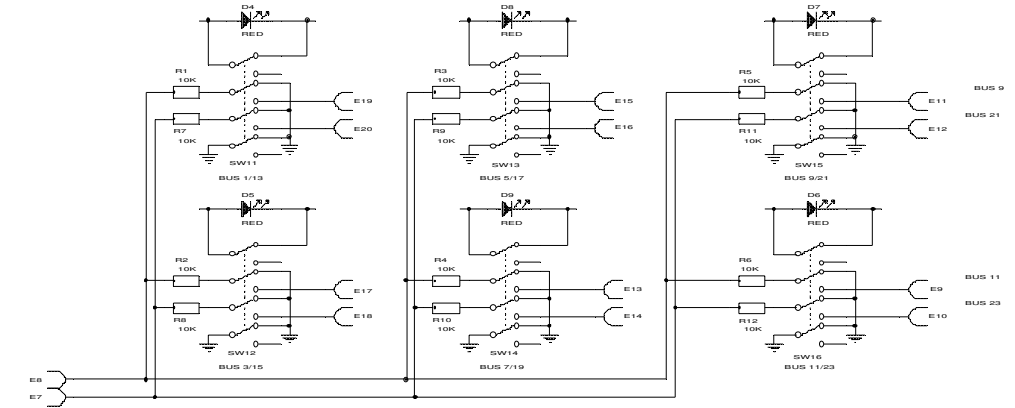
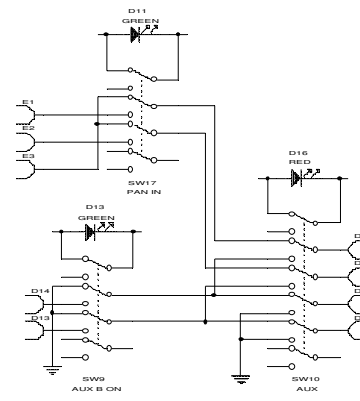
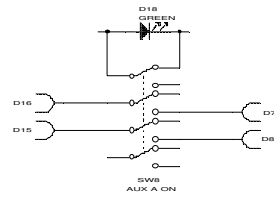
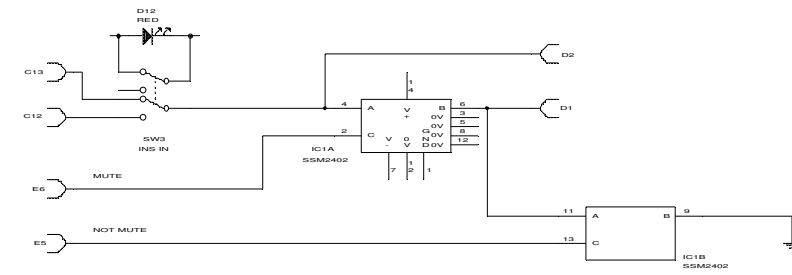
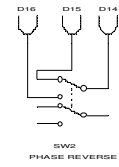
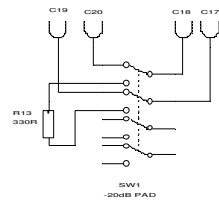


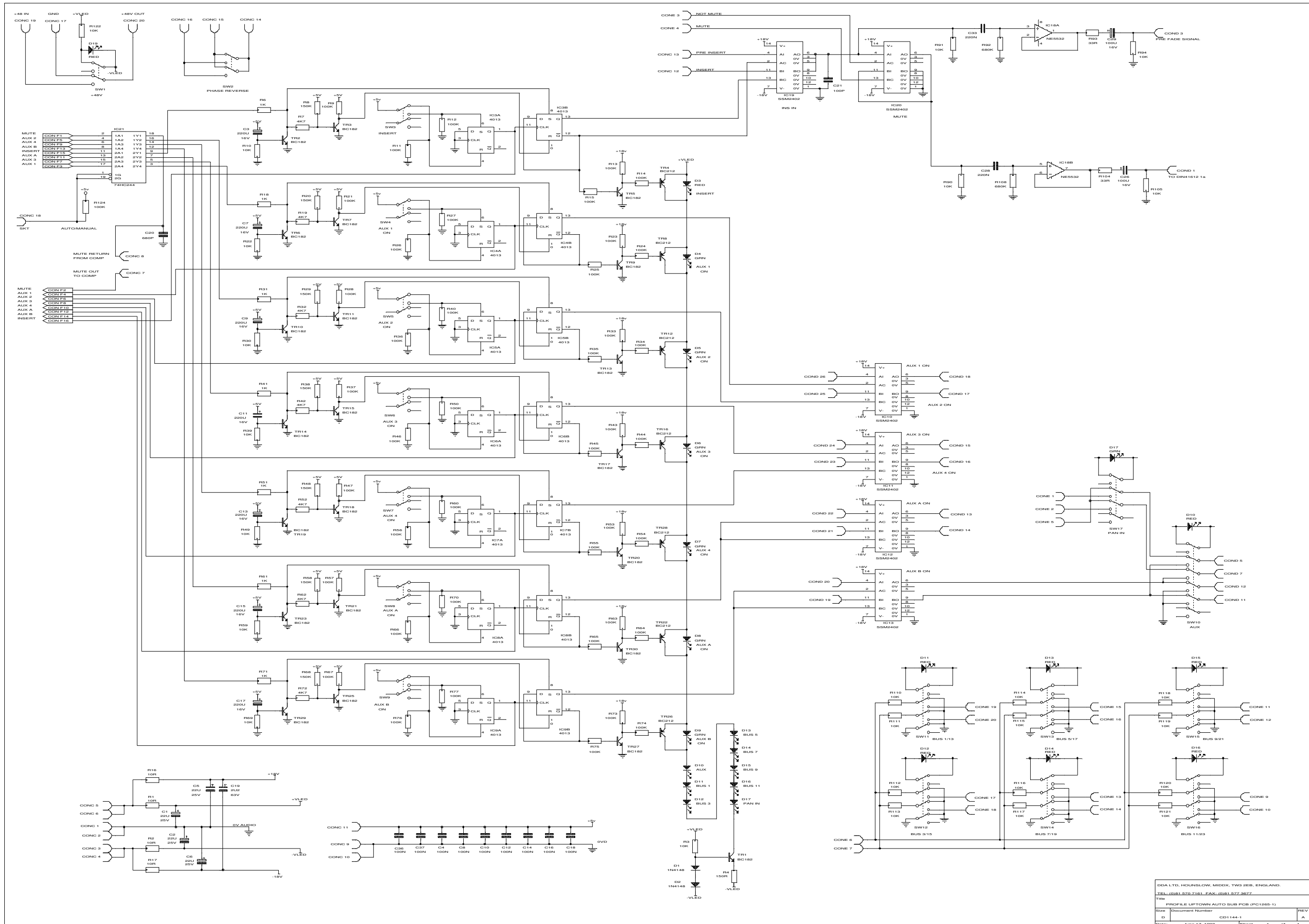


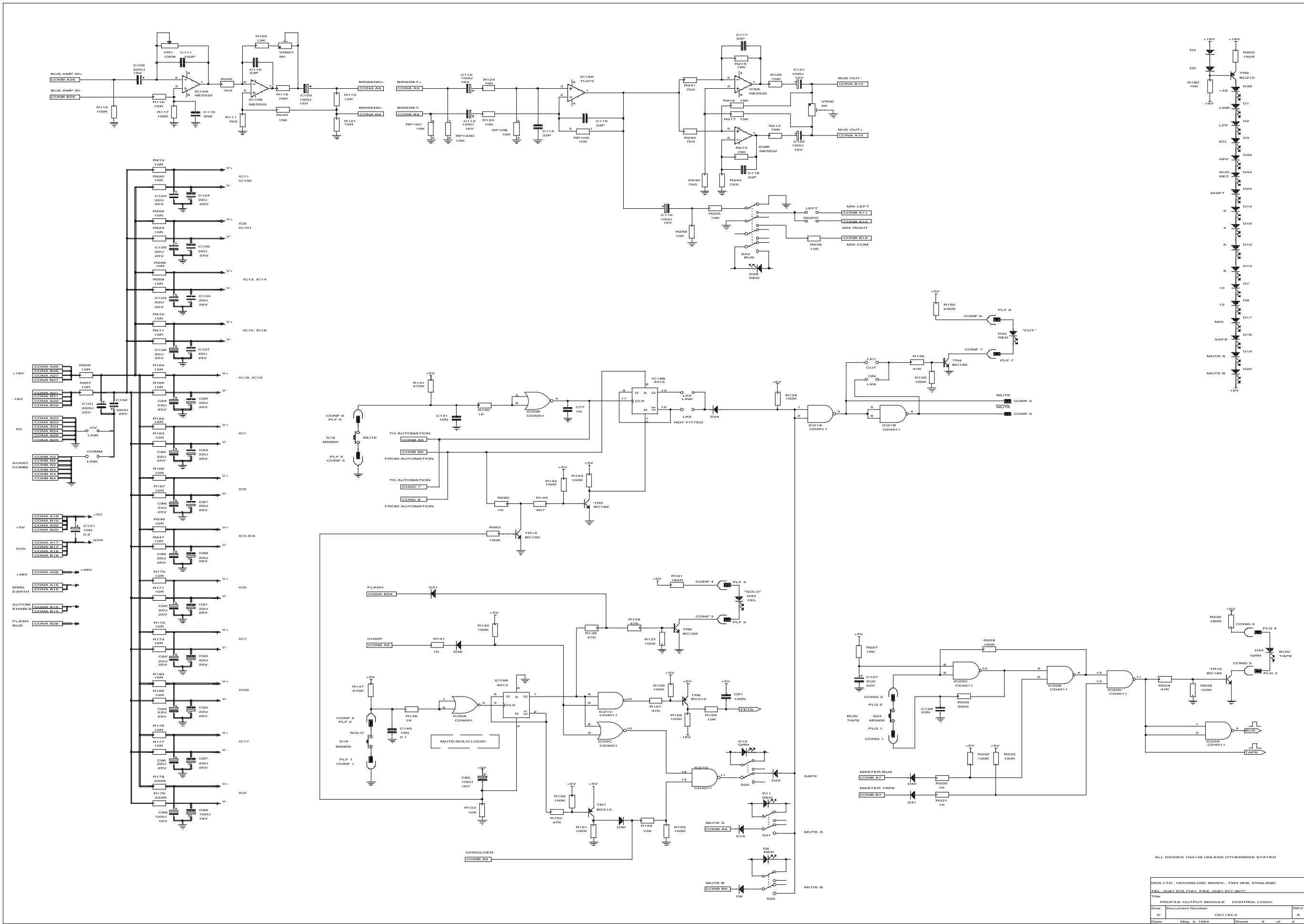
NOTES :

1. MONITOR SELECT SHOWN IN TAPE 1 POSITION
2. SPEAKER SELECT SHOWN IN MAIN POSITION







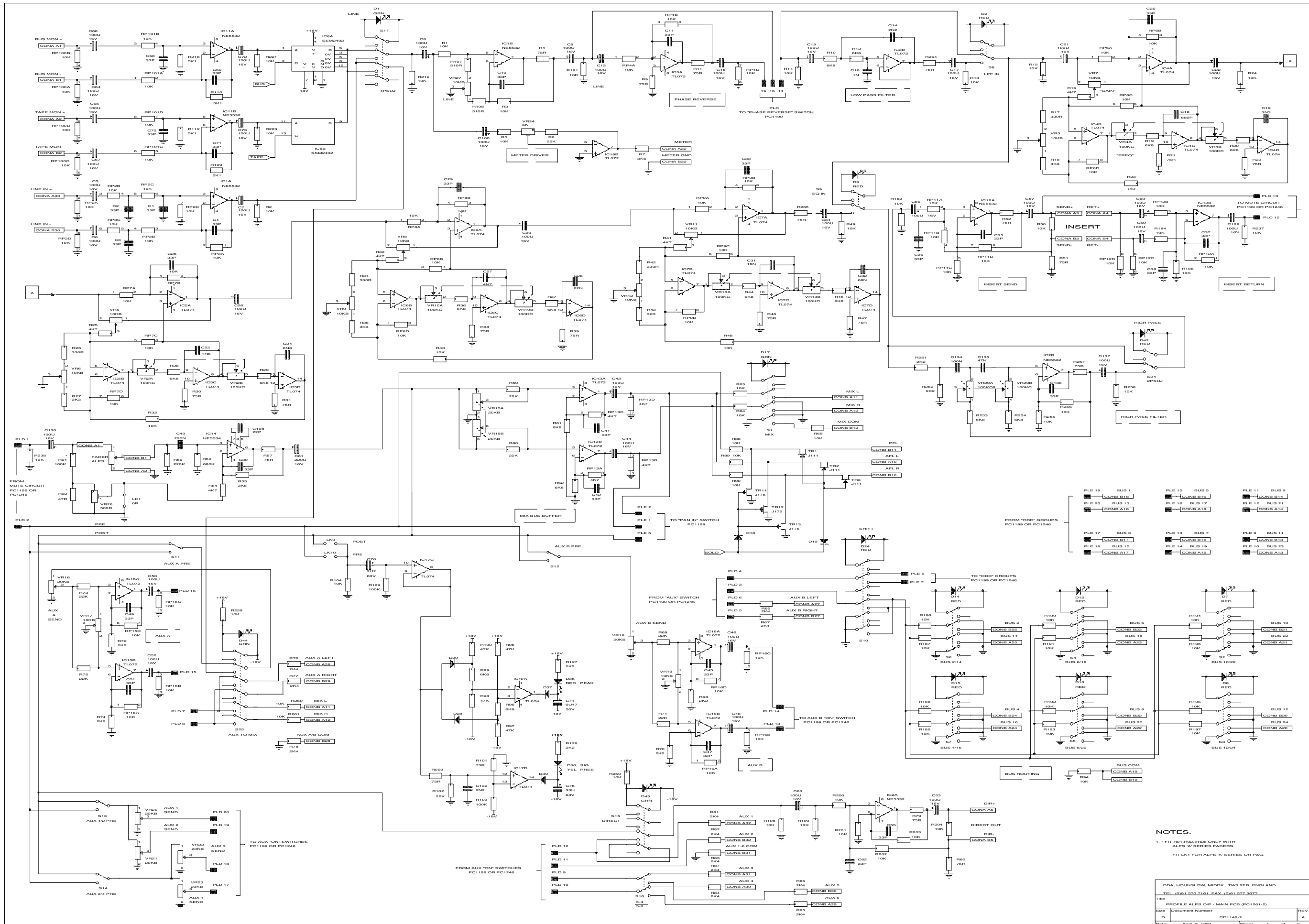


ALL DIODES 1N4148 UNLESS OTHERWISE STATED

DDA LTD., HOUNSLOW, MIDD., TW3 2EB, ENGLAND
 TEL: 081 872 7161 FAX: 081 872 3677

PROFILE OUTPUT MODULE CONTROL LOGIC

Size	Document Number	REV
D	CD1143-2	A
Date:	May 4, 1994	Sheet 2 of 2



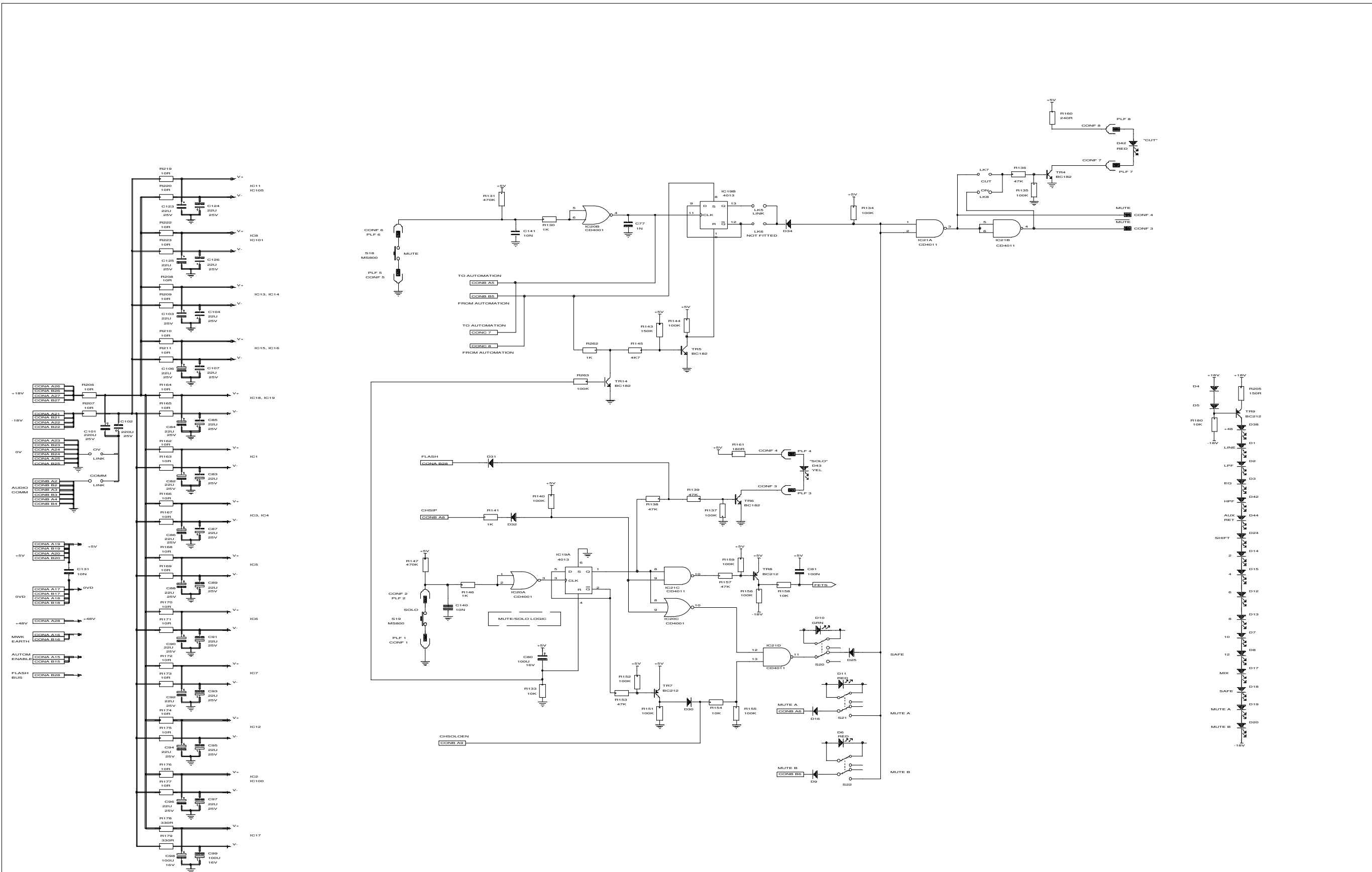
NOTES.

1. * FIT R9, R92, V926 ONLY WITH ALPS 'A' SERIES PAGES.

FIT LK1 FOR ALPS 'C' SERIES OR P&G.

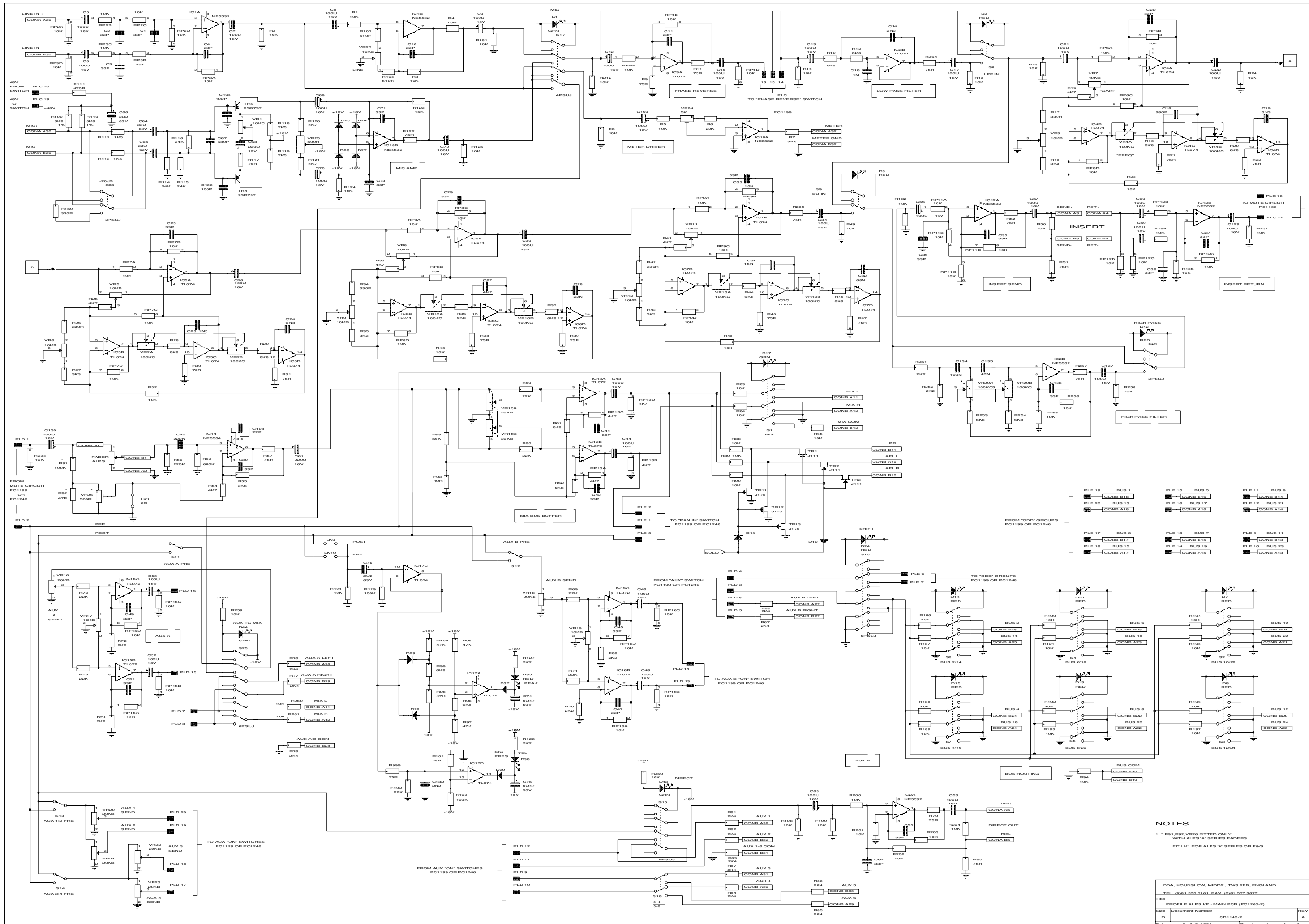
DDA, HOUNSLOW, MDDK., TW3 2EB, ENGLAND
 TEL: 0981 570 7161 FAX: 0981 577 9877

TYPE: PROFILE ALPS C/P - MAIN PCB (PC1261-3)
 Size: D Document Number: CD1142-2 REV: A
 Date: April 6, 1994 Sheet 1 of 2



PC1260-1
 ALL DIODES 1N4148 UNLESS OTHERWISE STATED

DDA LTD., HOUNSLOW, MIDDX., TW3 2EB, ENGLAND			
TEL: 081 679 7161 FAX: 081 679 3677			
Title		PROFILE INPUT MODULE CONTROL LOGIC	
Size		Document Number	
D		CD1141-2	REV A
Date:	June 17, 1993	Sheet	2 of 2

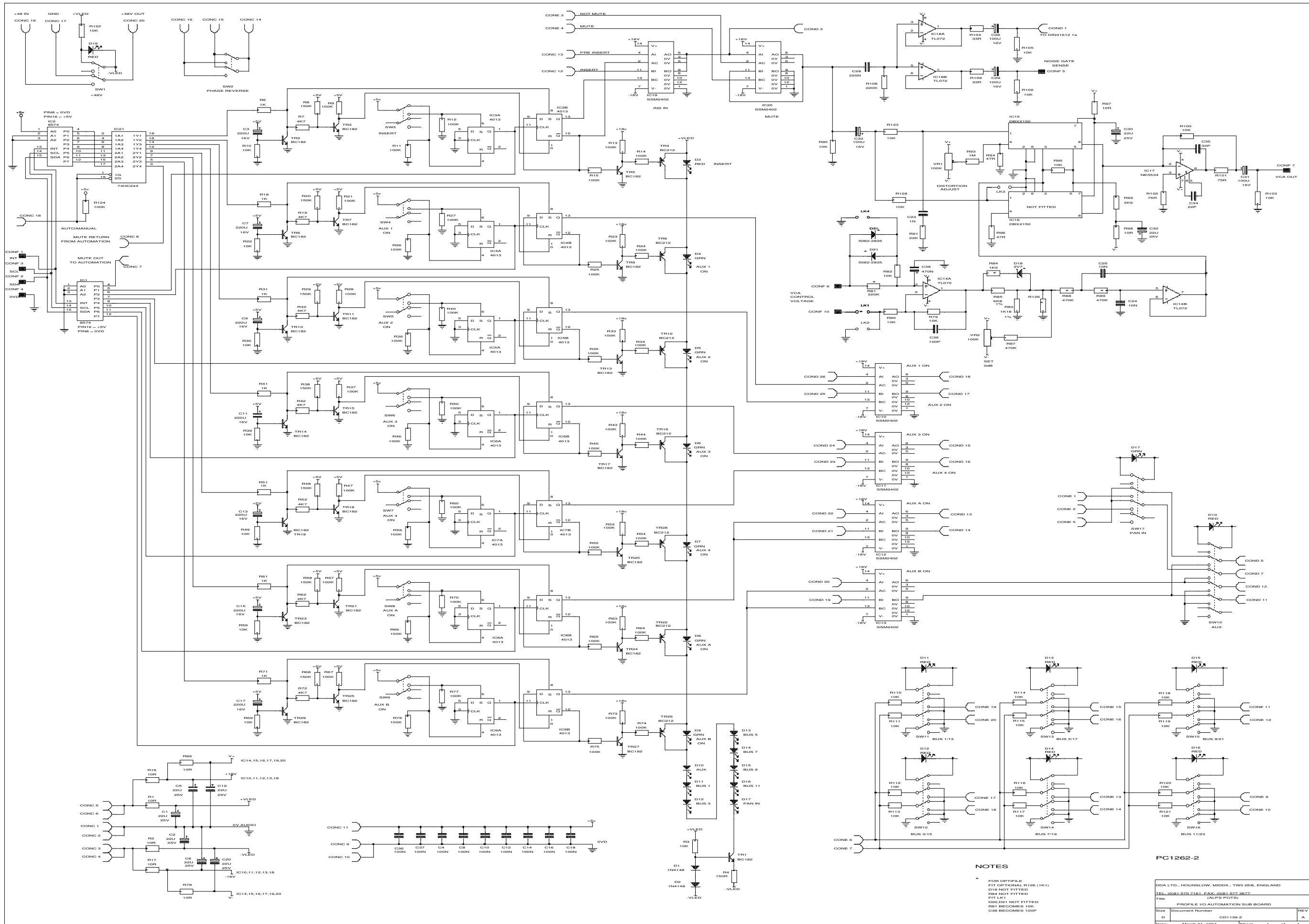


NOTES.

1. * R91, R92, VR26 FITTED ONLY WITH ALPS 'A' SERIES FADERS.
FIT LK1 FOR ALPS 'C' SERIES OR P&G.

DDA, HOUNSLOW, MIDDX., TW9 2EB, ENGLAND
TEL: (081 529 7161 FAX: (081 577 3677

TYPE: PROFILE ALPS LP - MAIN PCB (PC1260-2)
Size: Document Number: CD1140-2 REV: A
Date: April 6, 1994 Sheet 1 of 2



NOTES

- FOR OPTIBLE
- FIT OPTIONAL R126 (1K1)
- D18 NOT FITTED
- R84 NOT FITTED
- FIT LK1
- D26/D51 NOT FITTED
- R81 BECOMES 10K
- C26 BECOMES 100P

PC1262-2	
SQA LTD., HOUNSLOW, MIDDLESEX., TW3 2EB, ENGLAND	
TEL: (081) 579 7161 FAX: (081) 577 3677	
Tels: (081) 579 7161 FAX: (081) 577 3677	
PROFILE 10 AUTOMATION SUB BOARD	
(ALPS POTS)	
DISCONTINUED	
Size	Discipline Number
D	CD1139-2
Date	March 31, 1994
Sheet	1 of 1