

# **Q II - FOH**

Schematics

Klark Teknik Building  
Walter Nash Road  
Kidderminster  
Worcestershire  
DY11 7HJ

Tel: +44 (0) 1562 741515

Fax: +44 (0) 1562 745371

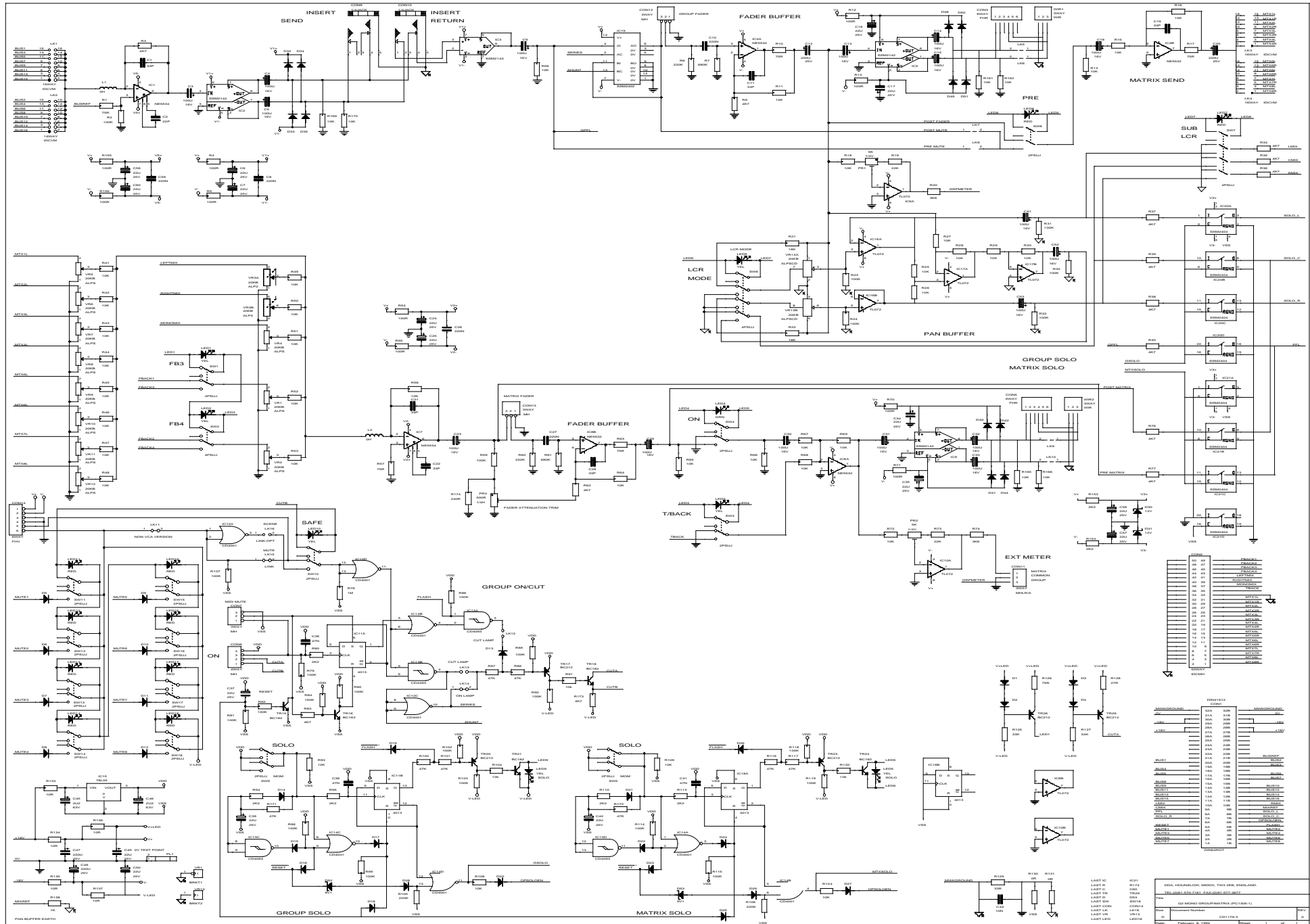
Email: [info@uk.telex.com](mailto:info@uk.telex.com)

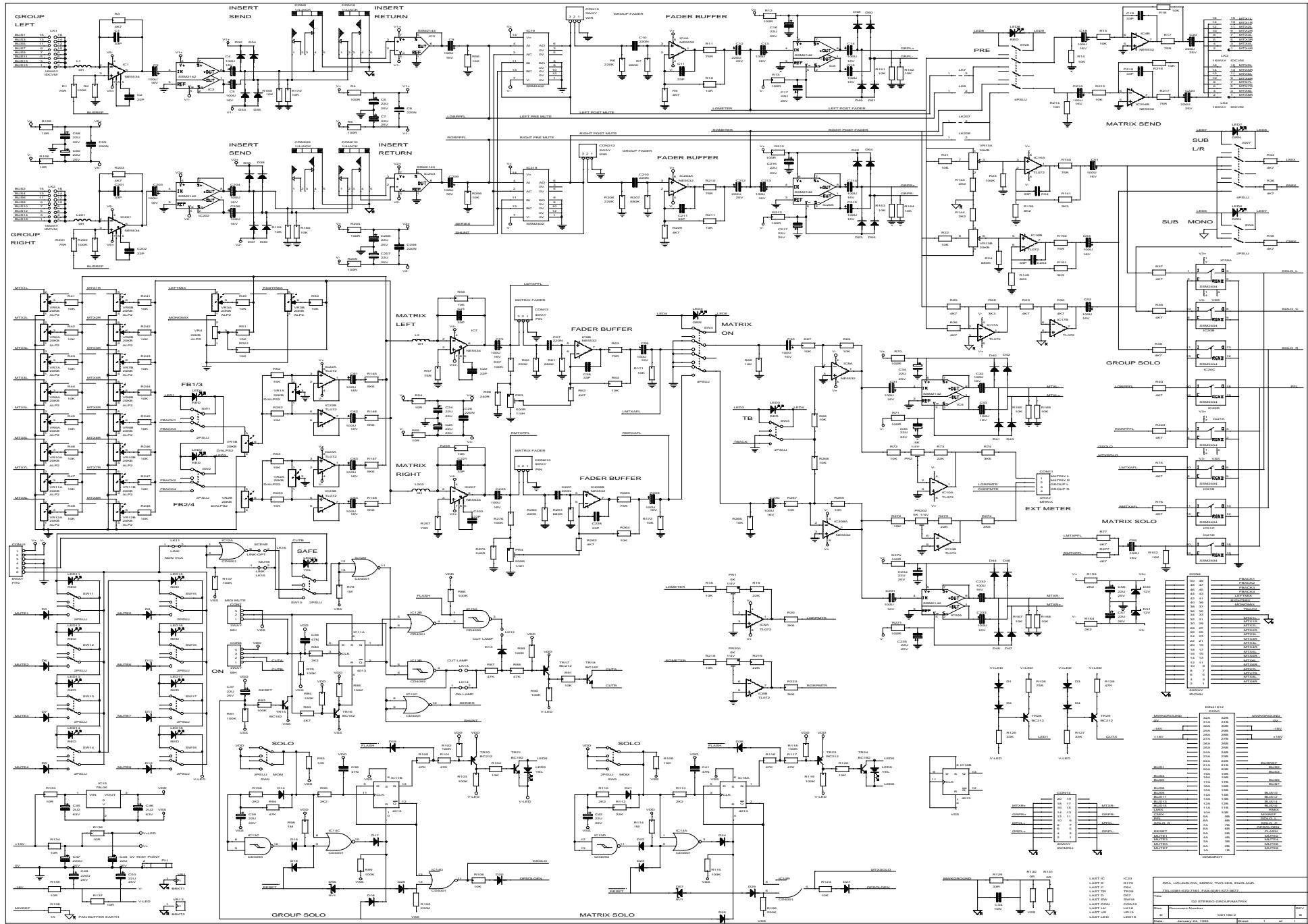
Website: [www.ddaconsole.com](http://www.ddaconsole.com)

Q II - FOH Schematics  
© Telex Communications (UK) Limited

In line with the company's policy of continual improvement, specifications and function maybe subject to change without notice. This Operator Manual was correct at the time of writing. E&OE.

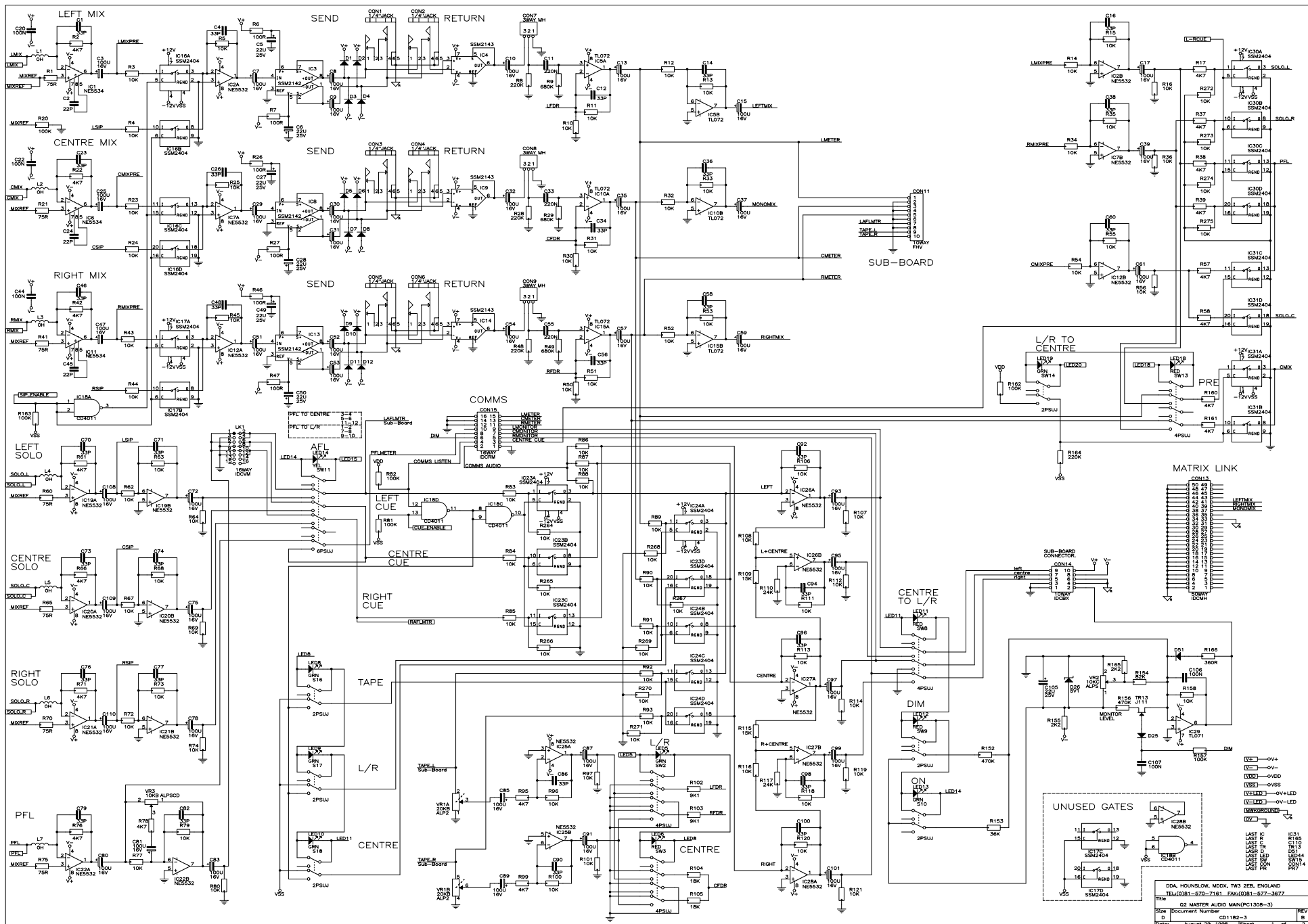


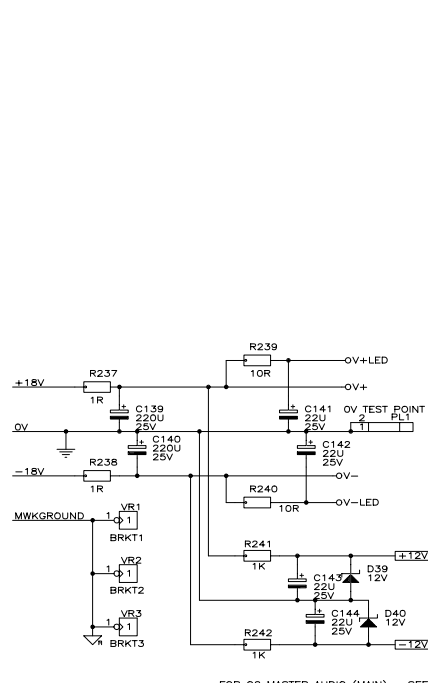
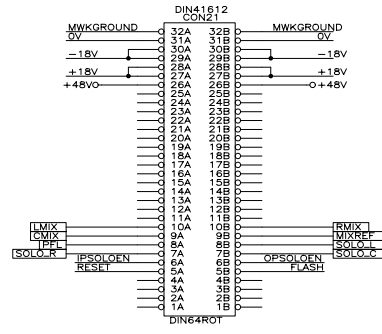
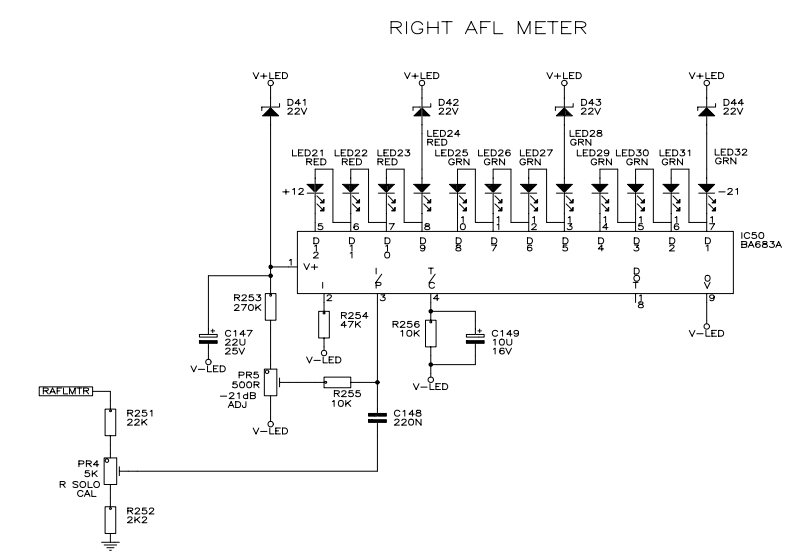
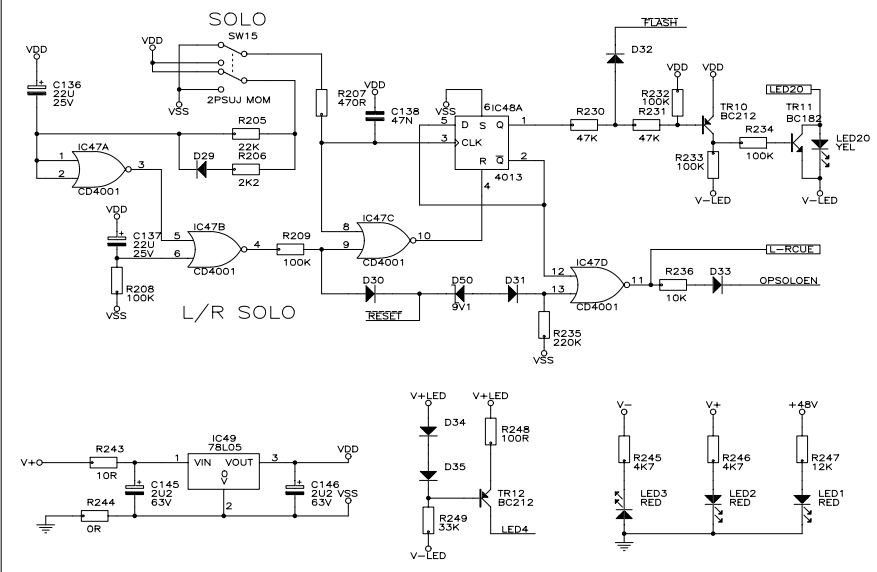
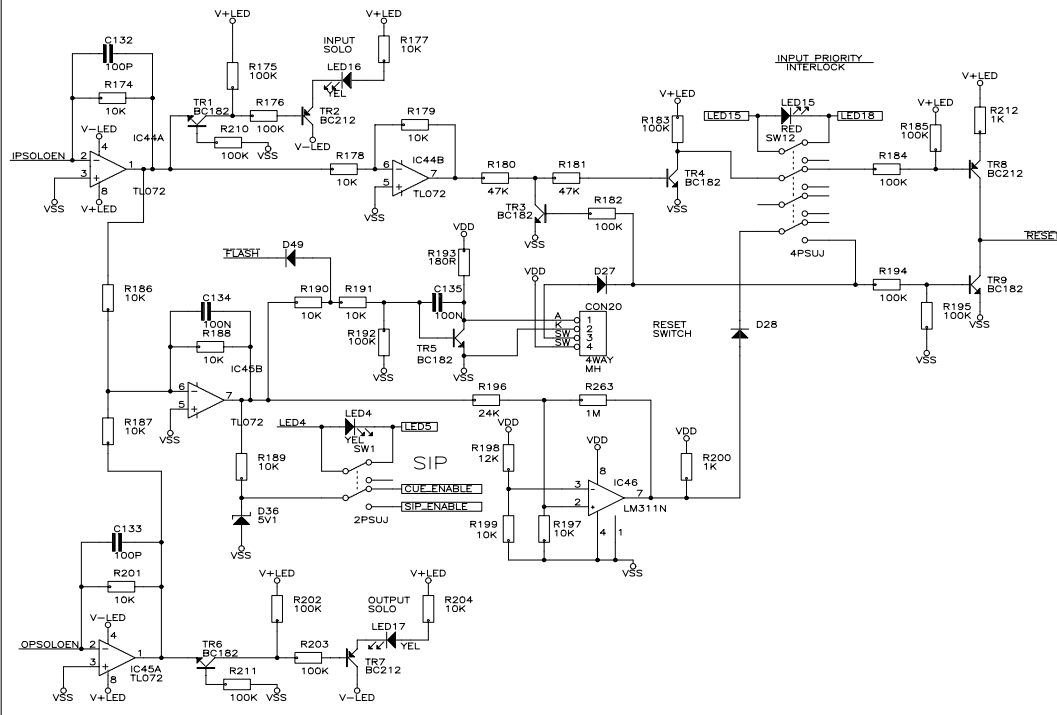




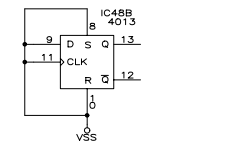
COMPONENT	VALUE	REFERENCE
R1	10K	R101
R2	10K	R102
R3	10K	R103
R4	10K	R104
R5	10K	R105
R6	10K	R106
R7	10K	R107
R8	10K	R108
R9	10K	R109
R10	10K	R110
R11	10K	R111
R12	10K	R112
R13	10K	R113
R14	10K	R114
R15	10K	R115
R16	10K	R116
R17	10K	R117
R18	10K	R118
R19	10K	R119
R20	10K	R120
R21	10K	R121
R22	10K	R122
R23	10K	R123
R24	10K	R124
R25	10K	R125
R26	10K	R126
R27	10K	R127
R28	10K	R128
R29	10K	R129
R30	10K	R130
R31	10K	R131
R32	10K	R132
R33	10K	R133
R34	10K	R134
R35	10K	R135
R36	10K	R136
R37	10K	R137
R38	10K	R138
R39	10K	R139
R40	10K	R140
R41	10K	R141
R42	10K	R142
R43	10K	R143
R44	10K	R144
R45	10K	R145
R46	10K	R146
R47	10K	R147
R48	10K	R148
R49	10K	R149
R50	10K	R150
R51	10K	R151
R52	10K	R152
R53	10K	R153
R54	10K	R154
R55	10K	R155
R56	10K	R156
R57	10K	R157
R58	10K	R158
R59	10K	R159
R60	10K	R160
R61	10K	R161
R62	10K	R162
R63	10K	R163
R64	10K	R164
R65	10K	R165
R66	10K	R166
R67	10K	R167
R68	10K	R168
R69	10K	R169
R70	10K	R170
R71	10K	R171
R72	10K	R172
R73	10K	R173
R74	10K	R174
R75	10K	R175
R76	10K	R176
R77	10K	R177
R78	10K	R178
R79	10K	R179
R80	10K	R180
R81	10K	R181
R82	10K	R182
R83	10K	R183
R84	10K	R184
R85	10K	R185
R86	10K	R186
R87	10K	R187
R88	10K	R188
R89	10K	R189
R90	10K	R190
R91	10K	R191
R92	10K	R192
R93	10K	R193
R94	10K	R194
R95	10K	R195
R96	10K	R196
R97	10K	R197
R98	10K	R198
R99	10K	R199
R100	10K	R200
C1	100P	C101
C2	100P	C102
C3	100P	C103
C4	100P	C104
C5	100P	C105
C6	100P	C106
C7	100P	C107
C8	100P	C108
C9	100P	C109
C10	100P	C110
C11	100P	C111
C12	100P	C112
C13	100P	C113
C14	100P	C114
C15	100P	C115
C16	100P	C116
C17	100P	C117
C18	100P	C118
C19	100P	C119
C20	100P	C120
C21	100P	C121
C22	100P	C122
C23	100P	C123
C24	100P	C124
C25	100P	C125
C26	100P	C126
C27	100P	C127
C28	100P	C128
C29	100P	C129
C30	100P	C130
C31	100P	C131
C32	100P	C132
C33	100P	C133
C34	100P	C134
C35	100P	C135
C36	100P	C136
C37	100P	C137
C38	100P	C138
C39	100P	C139
C40	100P	C140
C41	100P	C141
C42	100P	C142
C43	100P	C143
C44	100P	C144
C45	100P	C145
C46	100P	C146
C47	100P	C147
C48	100P	C148
C49	100P	C149
C50	100P	C150
C51	100P	C151
C52	100P	C152
C53	100P	C153
C54	100P	C154
C55	100P	C155
C56	100P	C156
C57	100P	C157
C58	100P	C158
C59	100P	C159
C60	100P	C160
C61	100P	C161
C62	100P	C162
C63	100P	C163
C64	100P	C164
C65	100P	C165
C66	100P	C166
C67	100P	C167
C68	100P	C168
C69	100P	C169
C70	100P	C170
C71	100P	C171
C72	100P	C172
C73	100P	C173
C74	100P	C174
C75	100P	C175
C76	100P	C176
C77	100P	C177
C78	100P	C178
C79	100P	C179
C80	100P	C180
C81	100P	C181
C82	100P	C182
C83	100P	C183
C84	100P	C184
C85	100P	C185
C86	100P	C186
C87	100P	C187
C88	100P	C188
C89	100P	C189
C90	100P	C190
C91	100P	C191
C92	100P	C192
C93	100P	C193
C94	100P	C194
C95	100P	C195
C96	100P	C196
C97	100P	C197
C98	100P	C198
C99	100P	C199
C100	100P	C200
D1	1N4148	D101
D2	1N4148	D102
D3	1N4148	D103
D4	1N4148	D104
D5	1N4148	D105
D6	1N4148	D106
D7	1N4148	D107
D8	1N4148	D108
D9	1N4148	D109
D10	1N4148	D110
D11	1N4148	D111
D12	1N4148	D112
D13	1N4148	D113
D14	1N4148	D114
D15	1N4148	D115
D16	1N4148	D116
D17	1N4148	D117
D18	1N4148	D118
D19	1N4148	D119
D20	1N4148	D120
D21	1N4148	D121
D22	1N4148	D122
D23	1N4148	D123
D24	1N4148	D124
D25	1N4148	D125
D26	1N4148	D126
D27	1N4148	D127
D28	1N4148	D128
D29	1N4148	D129
D30	1N4148	D130
D31	1N4148	D131
D32	1N4148	D132
D33	1N4148	D133
D34	1N4148	D134
D35	1N4148	D135
D36	1N4148	D136
D37	1N4148	D137
D38	1N4148	D138
D39	1N4148	D139
D40	1N4148	D140
D41	1N4148	D141
D42	1N4148	D142
D43	1N4148	D143
D44	1N4148	D144
D45	1N4148	D145
D46	1N4148	D146
D47	1N4148	D147
D48	1N4148	D148
D49	1N4148	D149
D50	1N4148	D150
D51	1N4148	D151
D52	1N4148	D152
D53	1N4148	D153
D54	1N4148	D154
D55	1N4148	D155
D56	1N4148	D156
D57	1N4148	D157
D58	1N4148	D158
D59	1N4148	D159
D60	1N4148	D160
D61	1N4148	D161
D62	1N4148	D162
D63	1N4148	D163
D64	1N4148	D164
D65	1N4148	D165
D66	1N4148	D166
D67	1N4148	D167
D68	1N4148	D168
D69	1N4148	D169
D70	1N4148	D170
D71	1N4148	D171
D72	1N4148	D172
D73	1N4148	D173
D74	1N4148	D174
D75	1N4148	D175
D76	1N4148	D176
D77	1N4148	D177
D78	1N4148	D178
D79	1N4148	D179
D80	1N4148	D180
D81	1N4148	D181
D82	1N4148	D182
D83	1N4148	D183
D84	1N4148	D184
D85	1N4148	D185
D86	1N4148	D186
D87	1N4148	D187
D88	1N4148	D188
D89	1N4148	D189
D90	1N4148	D190
D91	1N4148	D191
D92	1N4148	D192
D93	1N4148	D193
D94	1N4148	D194
D95	1N4148	D195
D96	1N4148	D196
D97	1N4148	D197
D98	1N4148	D198
D99	1N4148	D199
D100	1N4148	D200
U1	741	U101
U2	741	U102
U3	741	U103
U4	741	U104
U5	741	U105
U6	741	U106
U7	741	U107
U8	741	U108
U9	741	U109
U10	741	U110
U11	741	U111
U12	741	U112
U13	741	U113
U14	741	U114
U15	741	U115
U16	741	U116
U17	741	U117
U18	741	U118
U19	741	U119
U20	741	U120
U21	741	U121
U22	741	U122
U23	741	U123
U24	741	U124
U25	741	U125
U26	741	U126
U27	741	U127
U28	741	U128
U29	741	U129
U30	741	U130
U31	741	U131
U32	741	U132
U33	741	U133
U34	741	U134
U35	741	U135
U36	741	U136
U37	741	U137
U38	741	U138
U39	741	U139
U40	741	U140
U41	741	U141
U42	741	U142
U43	741	U143
U44	741	U144
U45	741	U145
U46	741	U146
U47	741	U147
U48	741	U148
U49	741	U149
U50	741	U150
U51	741	U151
U52	741	U152
U53	741	U153
U54	741	U154
U55	741	U155
U56	741	U156
U57	741	U157
U58	741	U158
U59	741	U159
U60	741	U160
U61	741	U161
U62	741	U162
U63	741	U163
U64	741	U164
U65	741	U165
U66	741	U166
U67	741	U167
U68	741	







UNUSED GATES.



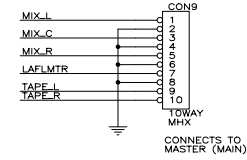
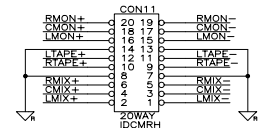
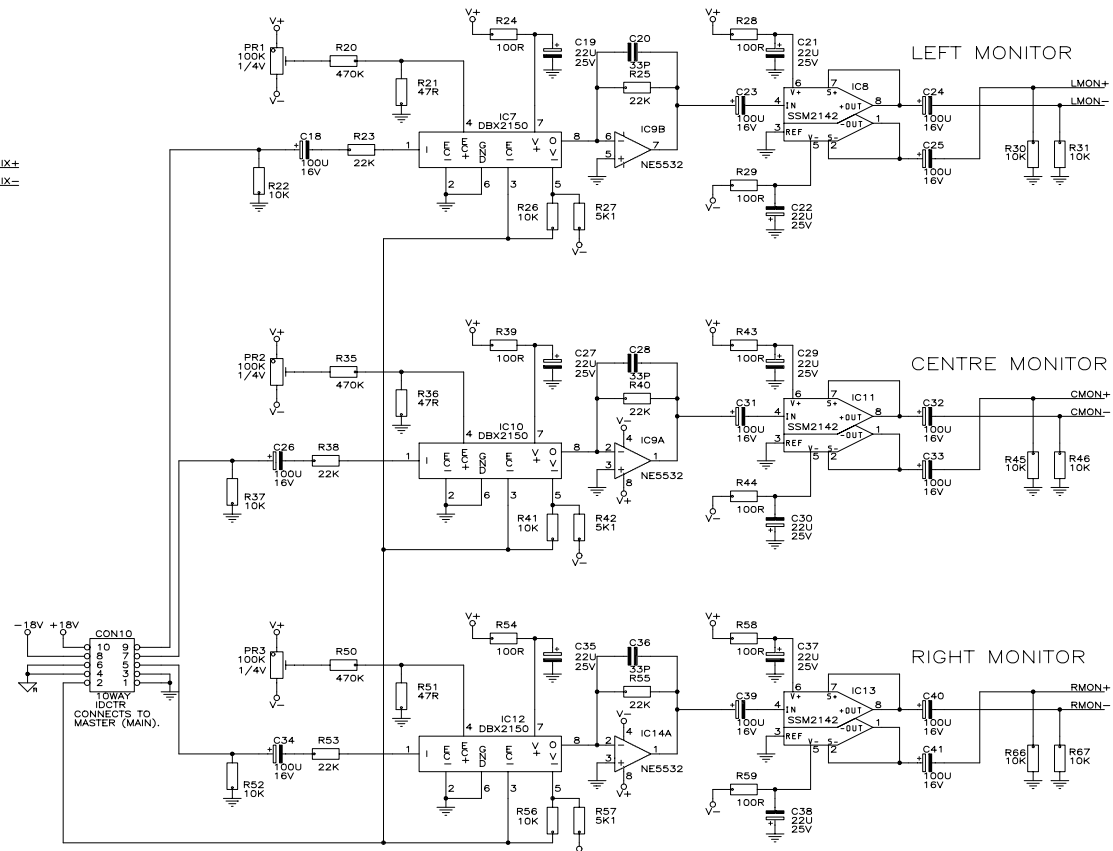
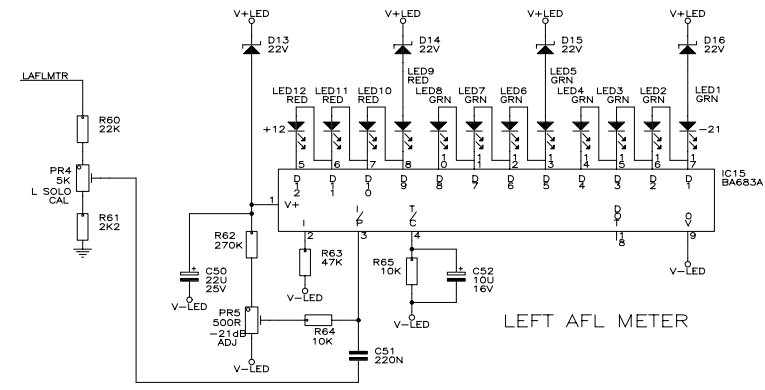
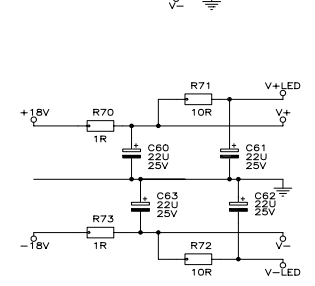
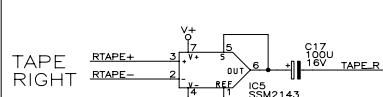
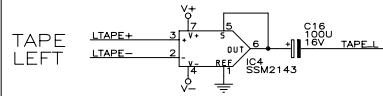
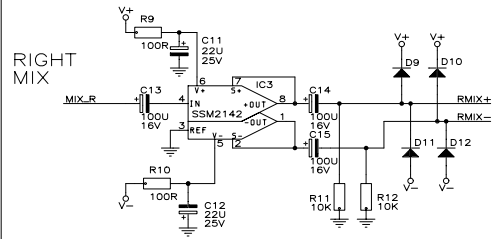
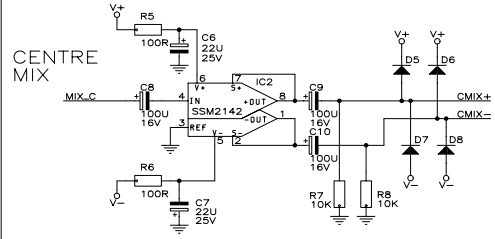
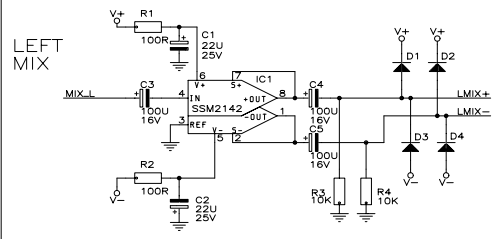
DDA, HOUNSLOW, MDDX, TW3 2EB, ENGLAND.

Title	Q2 MASTER LOGIC	REV
Size	Document Number	CD1183-3 - (PC1308)
C		
Date:	September 14, 1995	Sheet 1 of 1

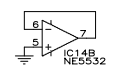
FOR Q2 MASTER AUDIO (MAIN) - SEE CD1182

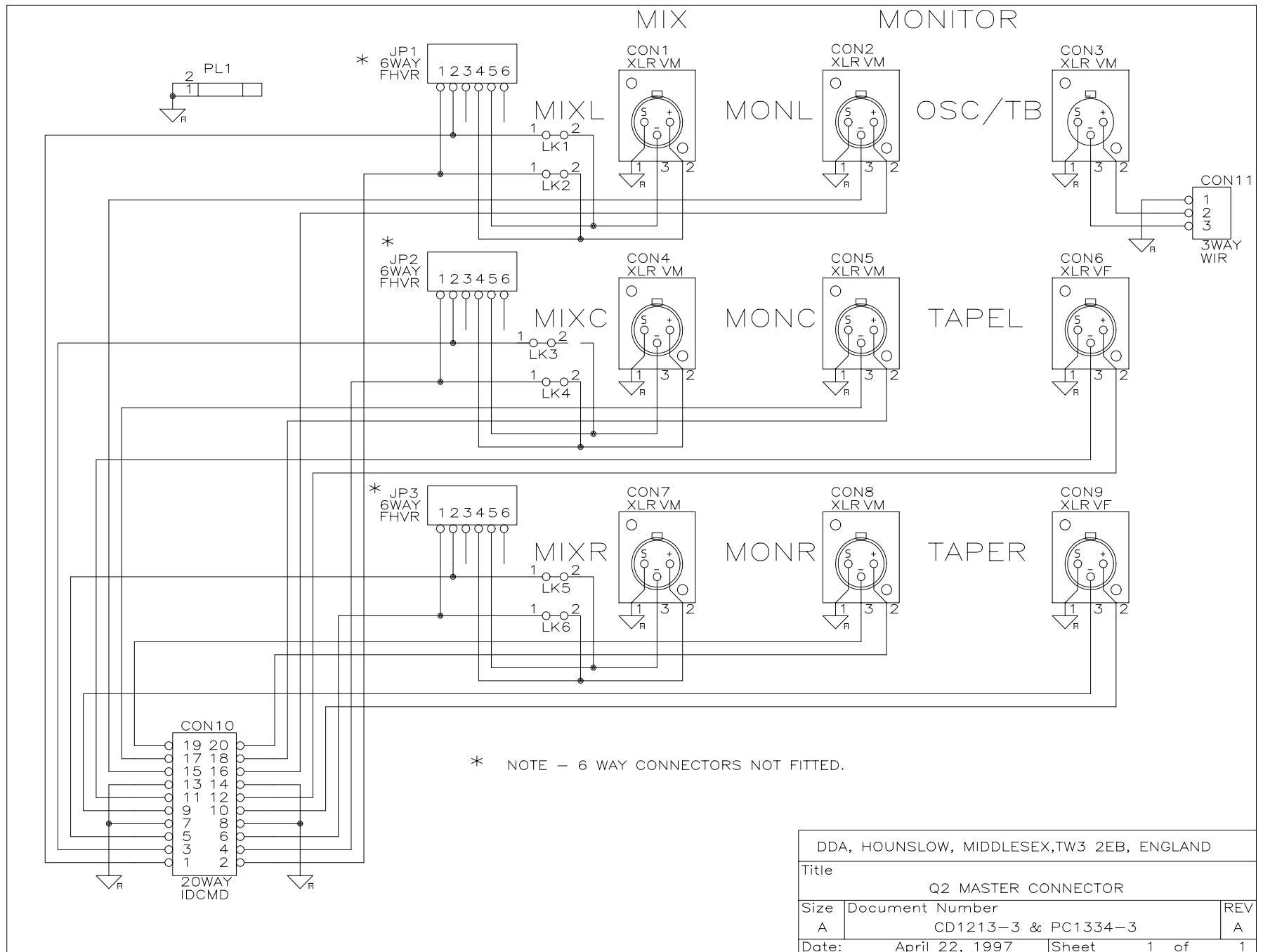




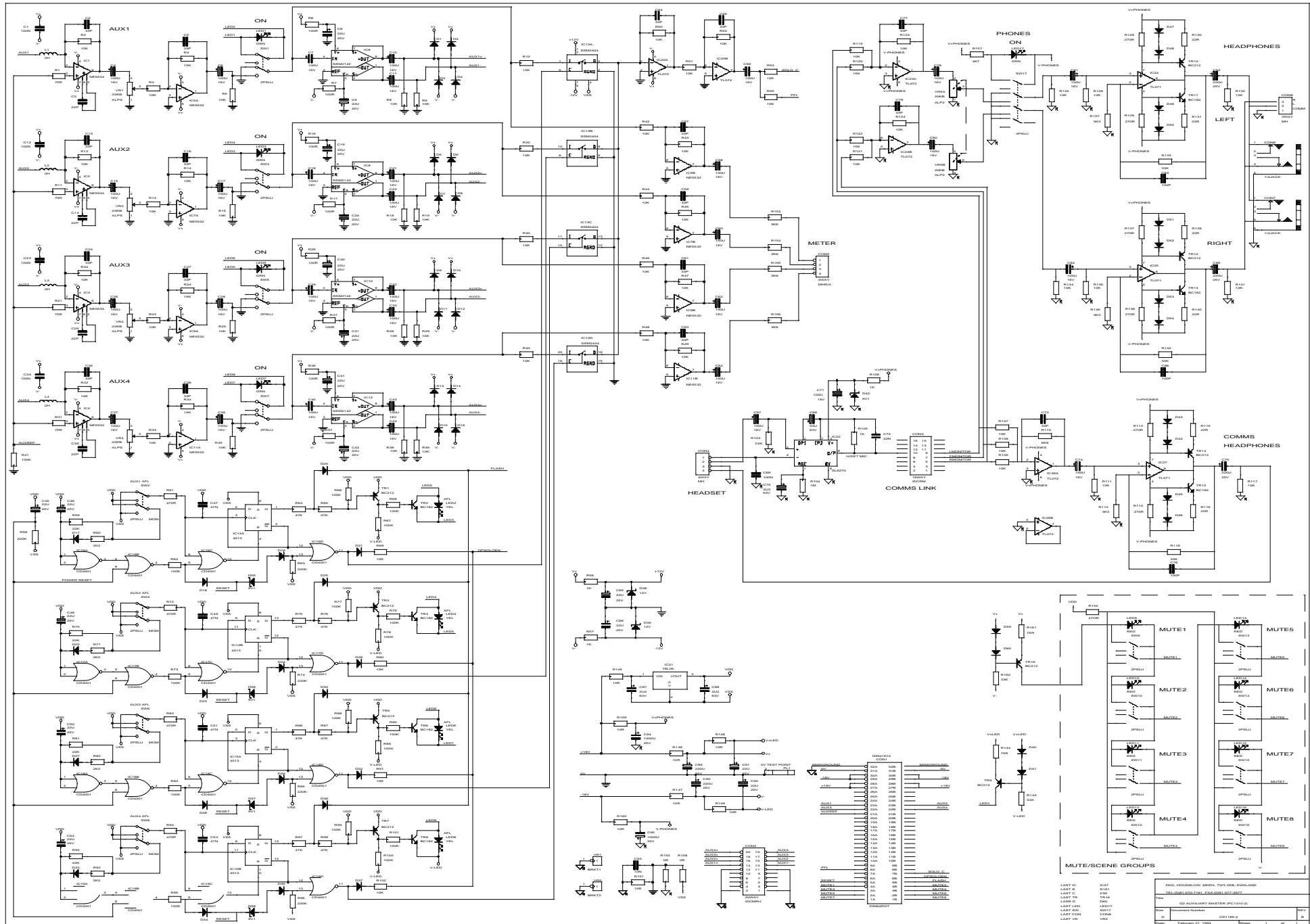


UNUSED GATES





DDA, HOUNSLOW, MIDDLESEX, TW3 2EB, ENGLAND		
Title		
Q2 MASTER CONNECTOR		
Size	Document Number	REV
A	CD1213-3 & PC1334-3	A
Date:	April 22, 1997	Sheet 1 of 1

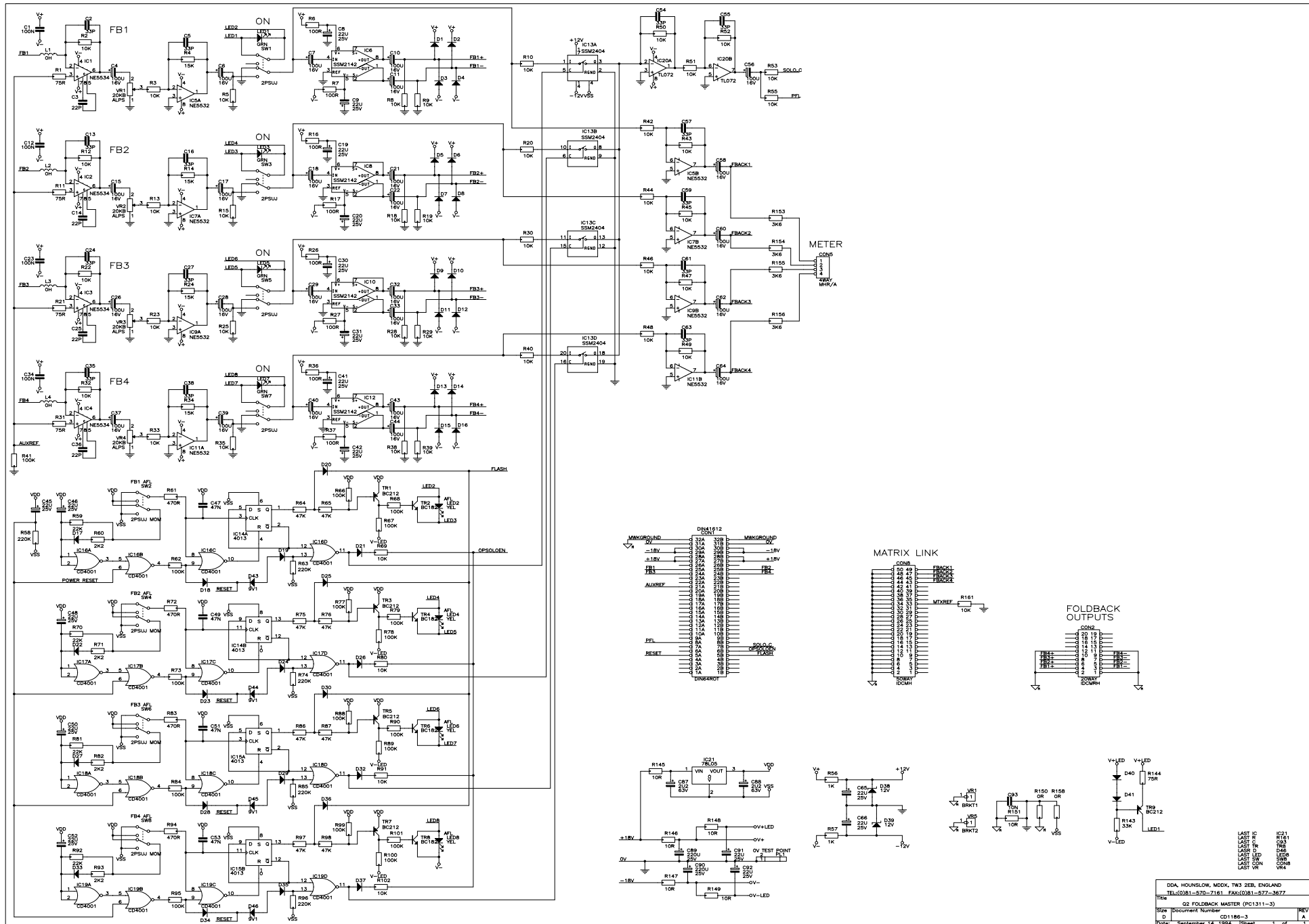


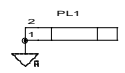
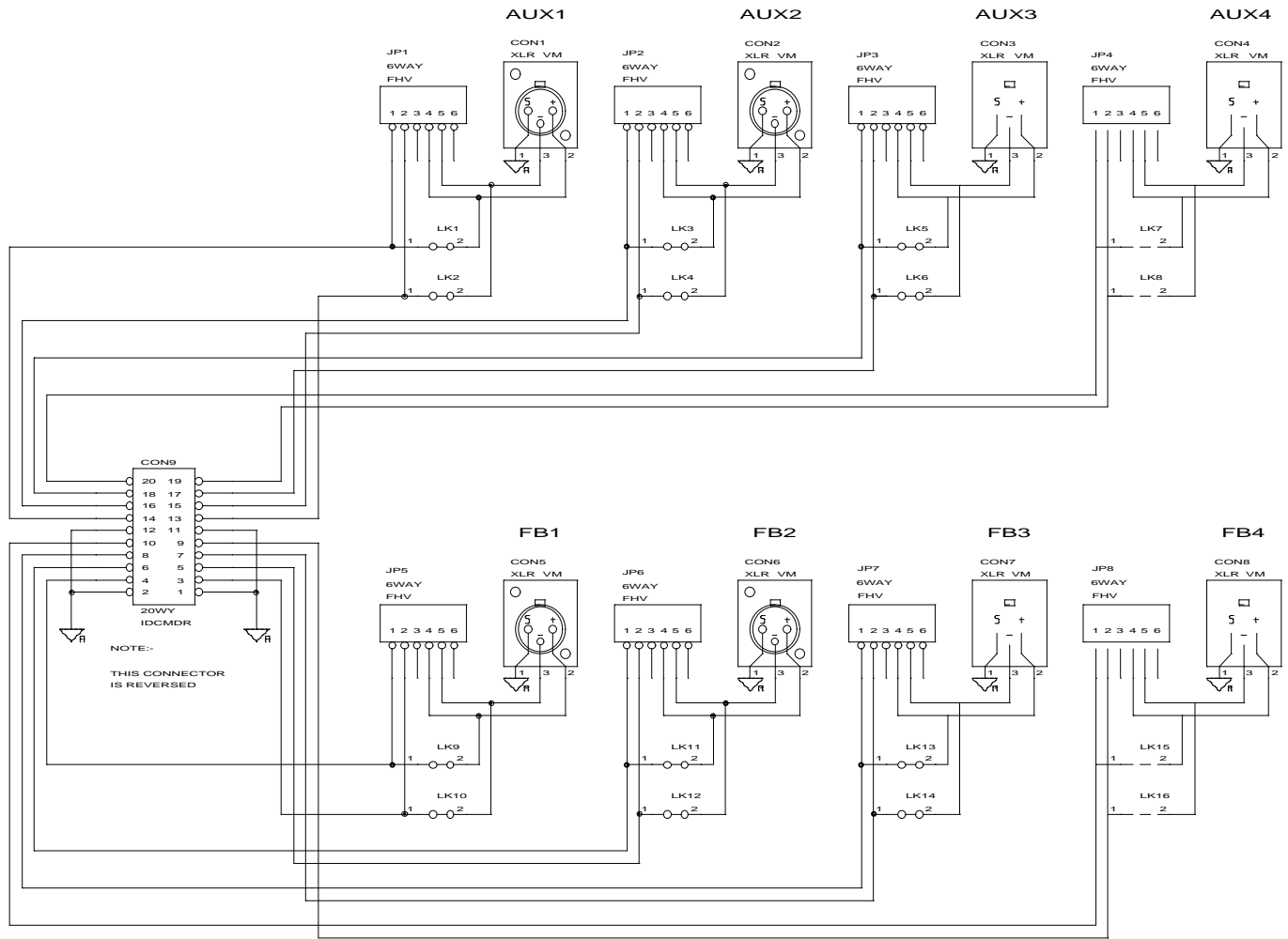
08011012 (CONT.)

11A	10K
11B	10K
11C	10K
11D	10K
11E	10K
11F	10K
11G	10K
11H	10K
11I	10K
11J	10K
11K	10K
11L	10K
11M	10K
11N	10K
11O	10K
11P	10K
11Q	10K
11R	10K
11S	10K
11T	10K
11U	10K
11V	10K
11W	10K
11X	10K
11Y	10K
11Z	10K
12A	10K
12B	10K
12C	10K
12D	10K
12E	10K
12F	10K
12G	10K
12H	10K
12I	10K
12J	10K
12K	10K
12L	10K
12M	10K
12N	10K
12O	10K
12P	10K
12Q	10K
12R	10K
12S	10K
12T	10K
12U	10K
12V	10K
12W	10K
12X	10K
12Y	10K
12Z	10K
13A	10K
13B	10K
13C	10K
13D	10K
13E	10K
13F	10K
13G	10K
13H	10K
13I	10K
13J	10K
13K	10K
13L	10K
13M	10K
13N	10K
13O	10K
13P	10K
13Q	10K
13R	10K
13S	10K
13T	10K
13U	10K
13V	10K
13W	10K
13X	10K
13Y	10K
13Z	10K
14A	10K
14B	10K
14C	10K
14D	10K
14E	10K
14F	10K
14G	10K
14H	10K
14I	10K
14J	10K
14K	10K
14L	10K
14M	10K
14N	10K
14O	10K
14P	10K
14Q	10K
14R	10K
14S	10K
14T	10K
14U	10K
14V	10K
14W	10K
14X	10K
14Y	10K
14Z	10K
15A	10K
15B	10K
15C	10K
15D	10K
15E	10K
15F	10K
15G	10K
15H	10K
15I	10K
15J	10K
15K	10K
15L	10K
15M	10K
15N	10K
15O	10K
15P	10K
15Q	10K
15R	10K
15S	10K
15T	10K
15U	10K
15V	10K
15W	10K
15X	10K
15Y	10K
15Z	10K
16A	10K
16B	10K
16C	10K
16D	10K
16E	10K
16F	10K
16G	10K
16H	10K
16I	10K
16J	10K
16K	10K
16L	10K
16M	10K
16N	10K
16O	10K
16P	10K
16Q	10K
16R	10K
16S	10K
16T	10K
16U	10K
16V	10K
16W	10K
16X	10K
16Y	10K
16Z	10K
17A	10K
17B	10K
17C	10K
17D	10K
17E	10K
17F	10K
17G	10K
17H	10K
17I	10K
17J	10K
17K	10K
17L	10K
17M	10K
17N	10K
17O	10K
17P	10K
17Q	10K
17R	10K
17S	10K
17T	10K
17U	10K
17V	10K
17W	10K
17X	10K
17Y	10K
17Z	10K
18A	10K
18B	10K
18C	10K
18D	10K
18E	10K
18F	10K
18G	10K
18H	10K
18I	10K
18J	10K
18K	10K
18L	10K
18M	10K
18N	10K
18O	10K
18P	10K
18Q	10K
18R	10K
18S	10K
18T	10K
18U	10K
18V	10K
18W	10K
18X	10K
18Y	10K
18Z	10K
19A	10K
19B	10K
19C	10K
19D	10K
19E	10K
19F	10K
19G	10K
19H	10K
19I	10K
19J	10K
19K	10K
19L	10K
19M	10K
19N	10K
19O	10K
19P	10K
19Q	10K
19R	10K
19S	10K
19T	10K
19U	10K
19V	10K
19W	10K
19X	10K
19Y	10K
19Z	10K
20A	10K
20B	10K
20C	10K
20D	10K
20E	10K
20F	10K
20G	10K
20H	10K
20I	10K
20J	10K
20K	10K
20L	10K
20M	10K
20N	10K
20O	10K
20P	10K
20Q	10K
20R	10K
20S	10K
20T	10K
20U	10K
20V	10K
20W	10K
20X	10K
20Y	10K
20Z	10K

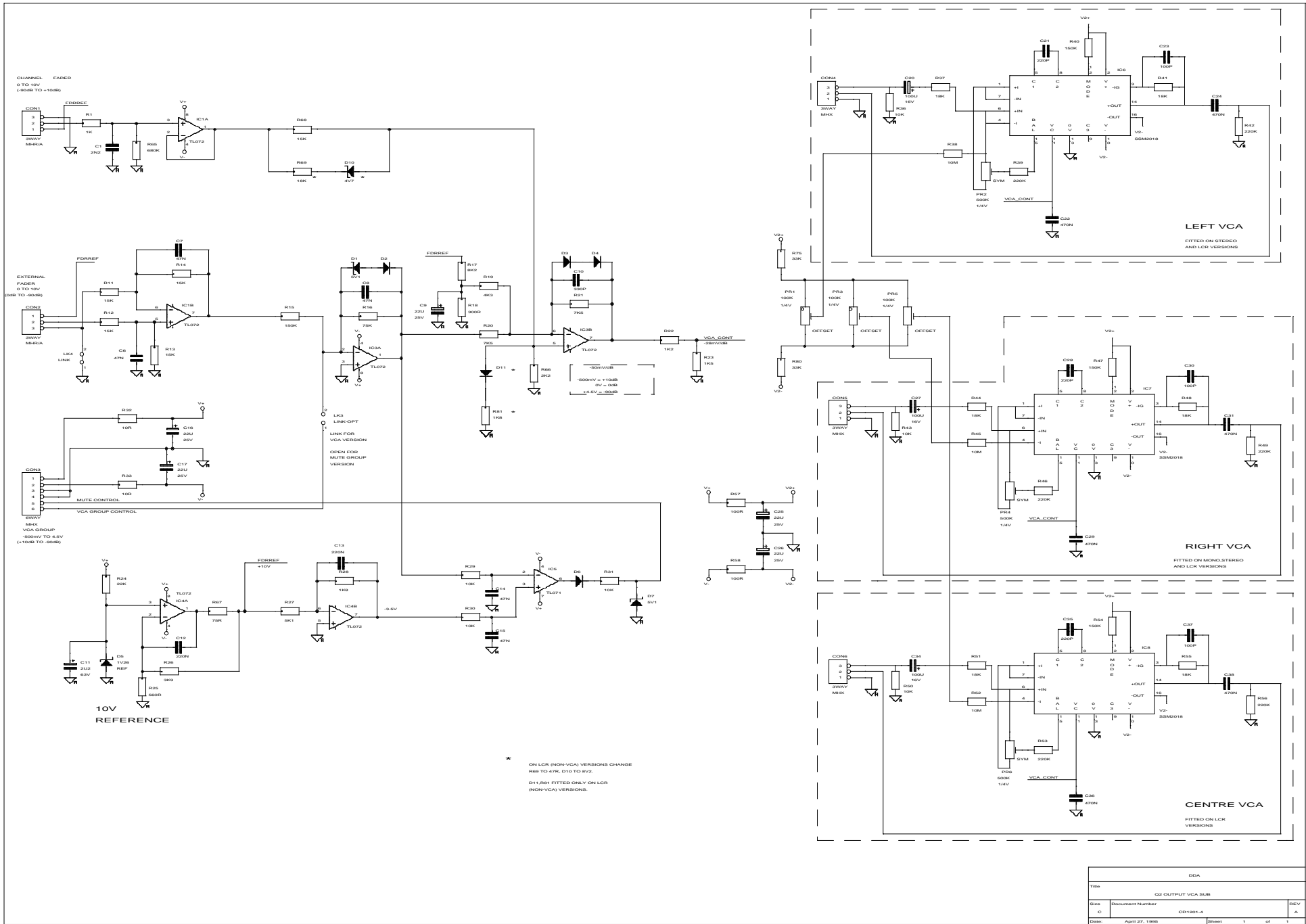
02 AUXILIARY MASTER (CONT.)

1	10K
2	10K
3	10K
4	10K
5	10K
6	10K
7	10K
8	10K
9	10K
10	10K
11	10K
12	10K
13	10K
14	10K
15	10K
16	10K
17	10K
18	10K
19	10K
20	10K
21	10K
22	10K
23	10K
24	10K
25	10K
26	10K
27	10K
28	10K
29	10K
30	10K
31	10K
32	10K
33	10K
34	10K
35	10K
36	10K
37	10K
38	10K
39	10K
40	10K
41	10K
42	10K
43	10K
44	10K
45	10K
46	10K
47	10K
48	10K
49	10K
50	10K
51	10K
52	10K
53	10K
54	10K
55	10K
56	10K
57	10K
58	10K
59	10K
60	10K
61	10K
62	10K
63	10K
64	10K
65	10K
66	10K
67	10K
68	10K
69	10K
70	10K
71	10K
72	10K
73	10K
74	10K
75	10K
76	10K
77	10K
78	10K
79	10K
80	10K
81	10K
82	10K
83	10K
84	10K
85	10K
86	10K
87	10K
88	10K
89	10K
90	10K
91	10K
92	10K
93	10K
94	10K
95	10K
96	10K
97	10K
98	10K
99	10K
100	10K





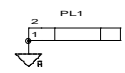
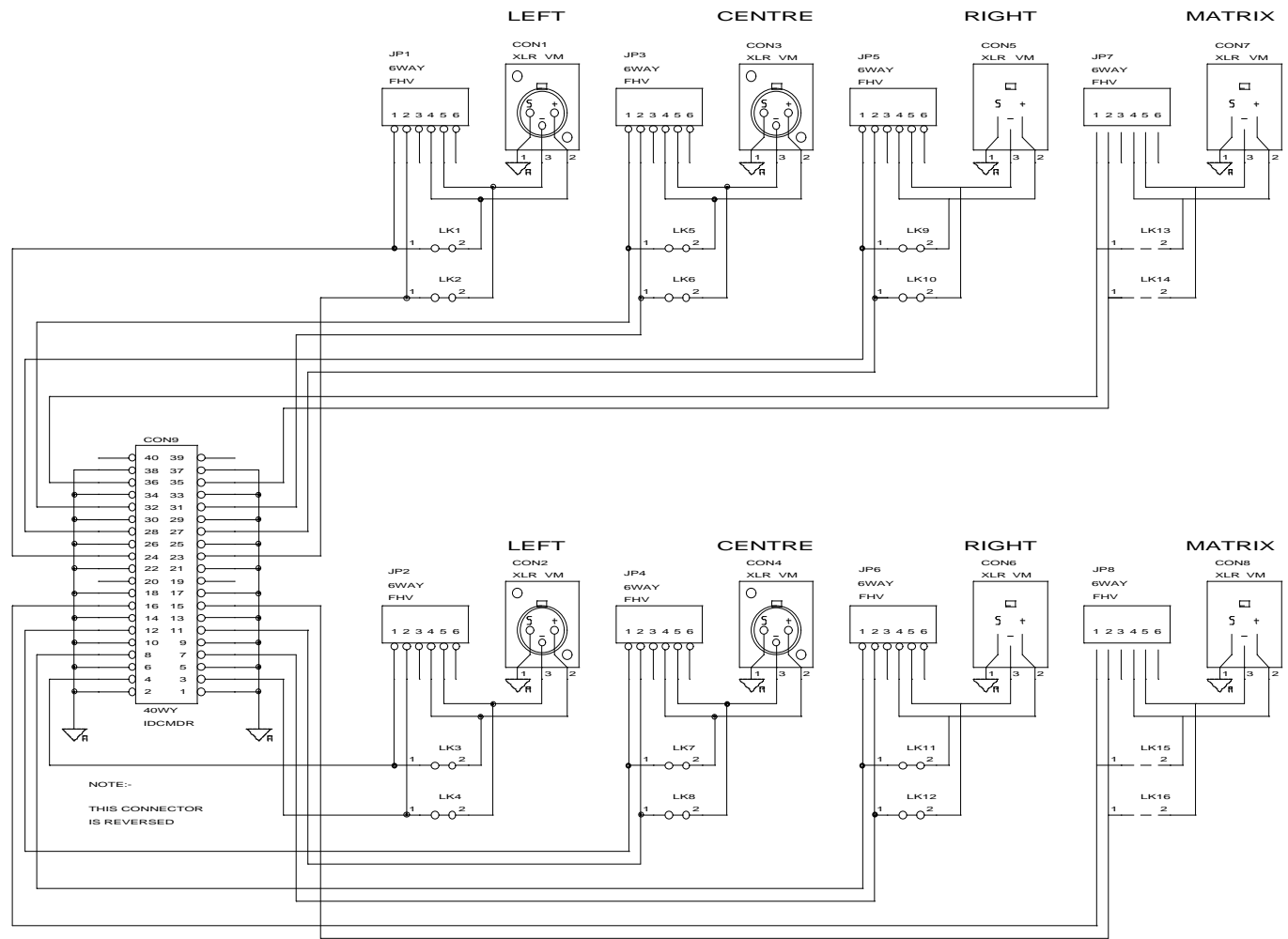
DDA, HOUNSLOW, MIDDLESEX, TW3 2EB, ENGLAND			
Title			
O2 AUXILIARY CONNECTOR			
Size	Document Number		REV
B	CD1192		1
Date:	July 6, 1993	Sheet	1 of 1



\* ON LCR (NON-VCA) VERSIONS CHANGE R88 TO 47K, D10 TO 6V2. D11-R81 FITTED ONLY ON LCR (NON-VCA) VERSIONS.

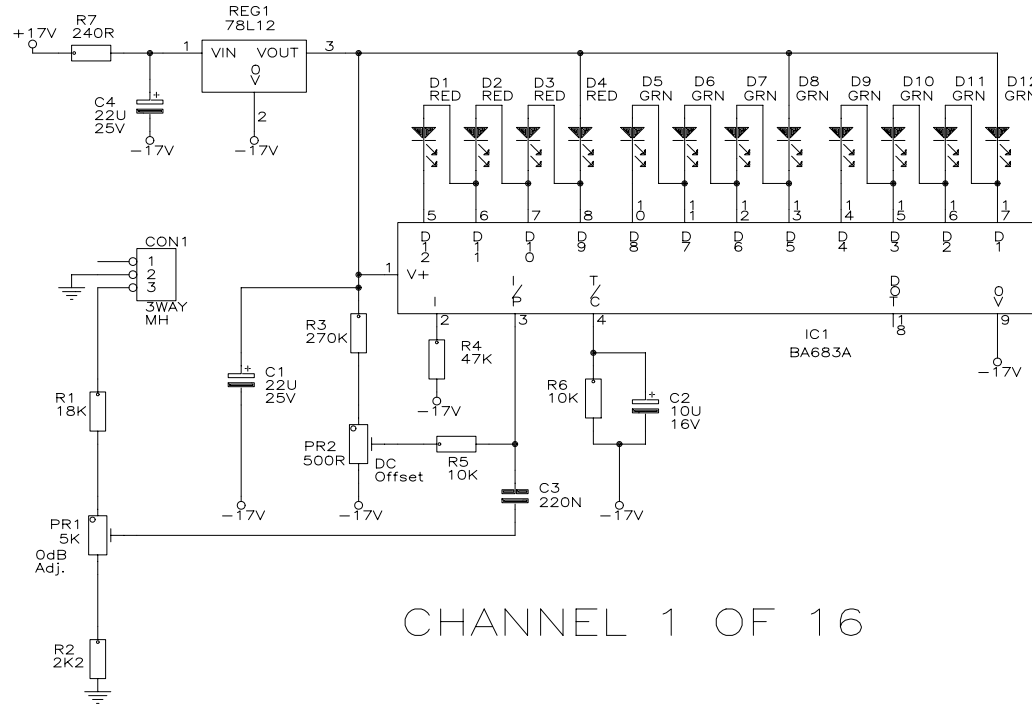
Title			DDA
Doc. Number			02 OUTPUT VCA SUB
Rev	C	CD1201-4	A
Date	April 27, 1986	Sheet	1 of 1



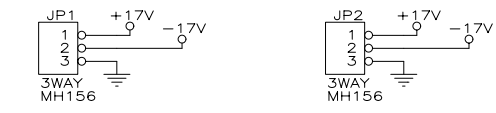


DDA, HOUNSLOW, MIDDLESEX, TW3 2EB, ENGLAND			
Title			
Q2 LCR/MATRIX OUTPUT CONNECTOR			
Size	Document Number		REV
B	CD1203-2 PC1328-2		A
Date:	August 6, 1993	Sheet	1 of 1

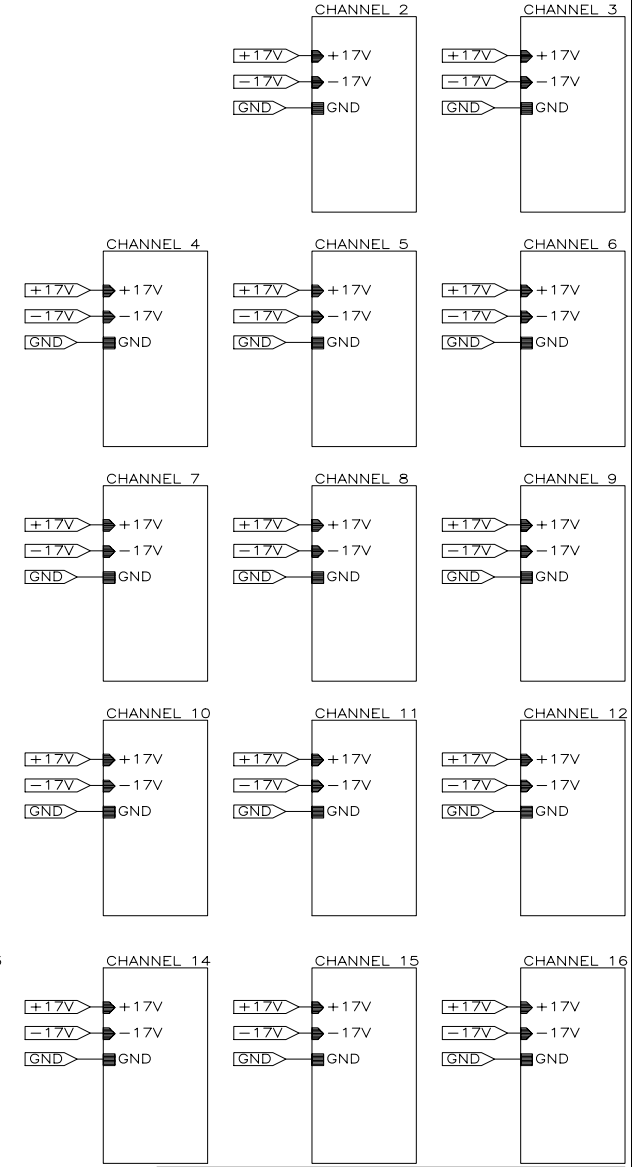




CHANNEL 1 OF 16



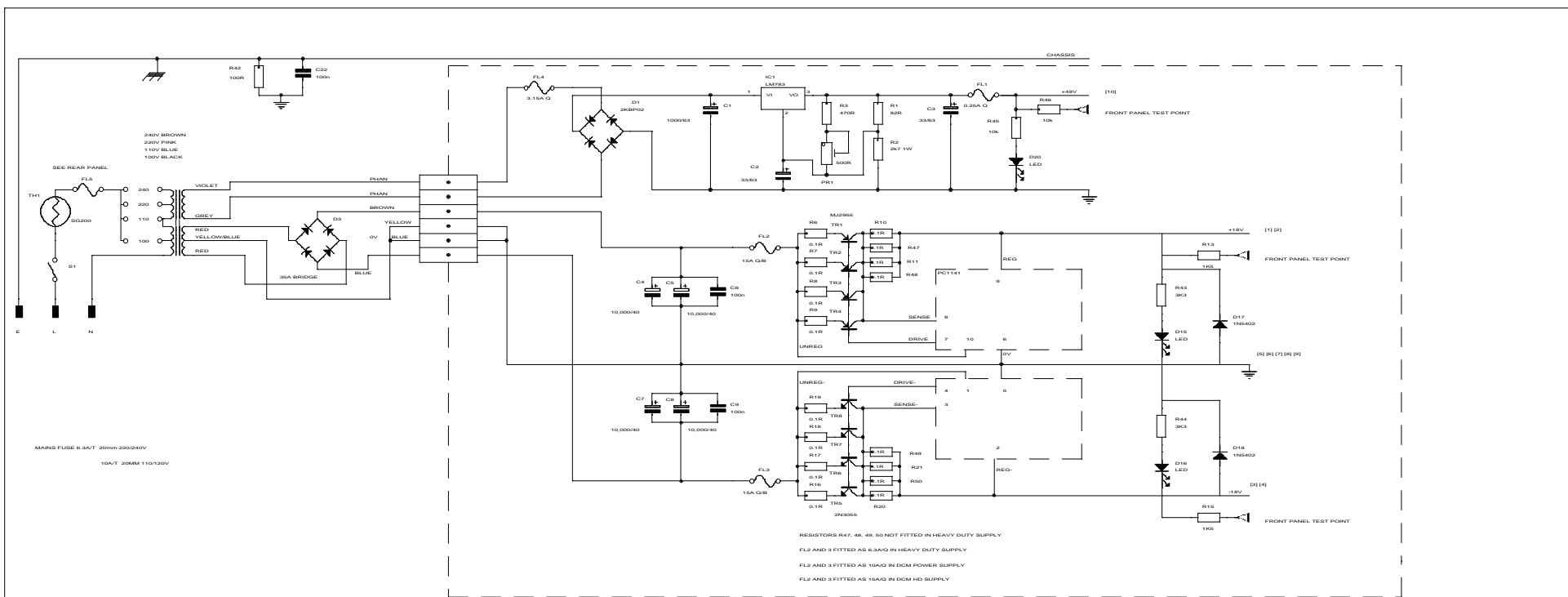
Power Input



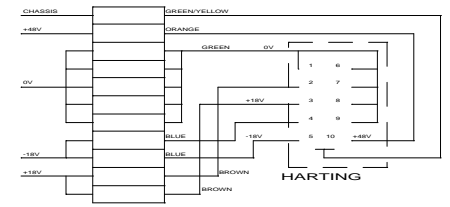
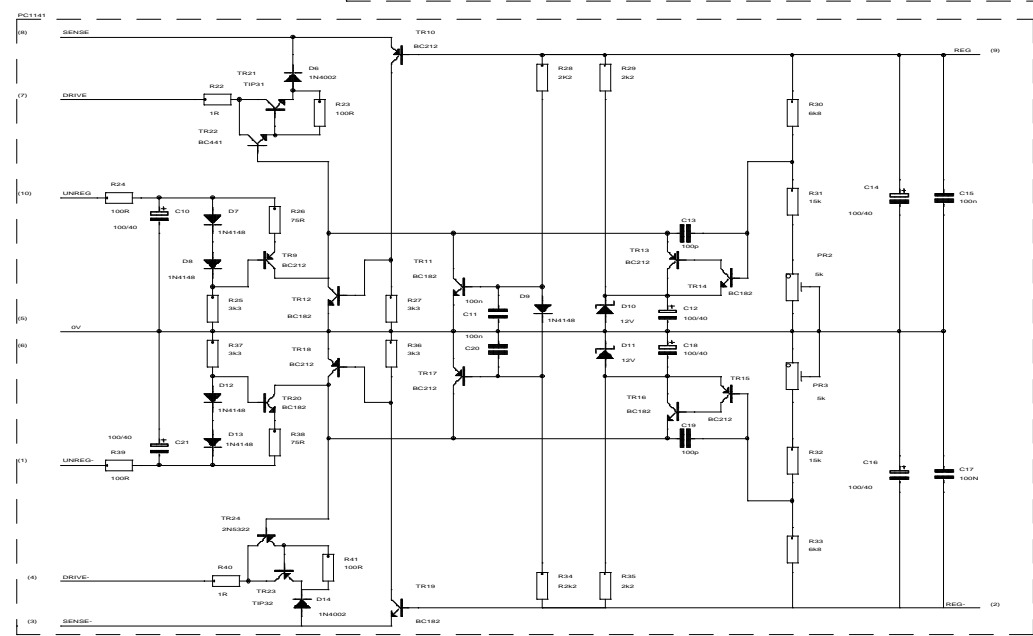
DDA LTD., HOUNSLOW, MIDD., TW3 2EB, ENGLAND  
 TEL: (0)81 570 7161 FAX: (0)81 577 3677

Title  
 QMR 16 CHANNEL BARGRAPH

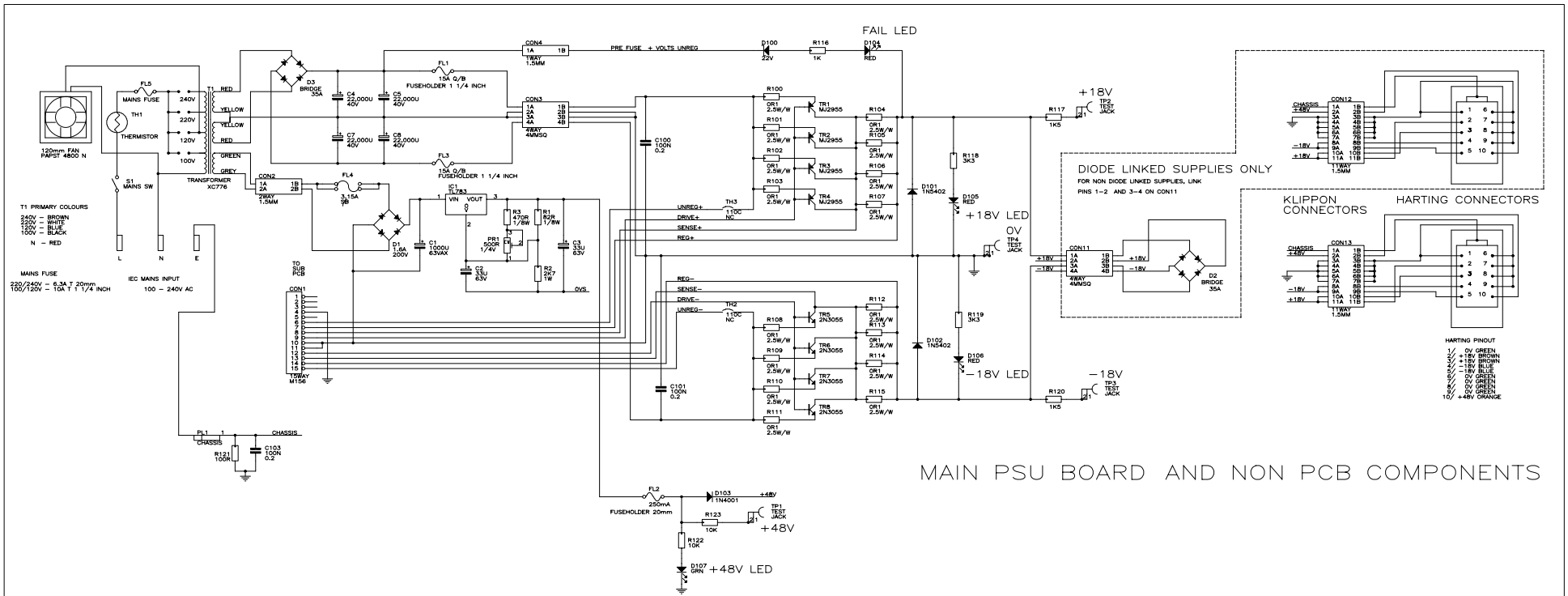
Size	Document Number	REV
B	CD1167-1 PC1289-1	B
Date:	July 7, 1993	Sheet 1 of 1



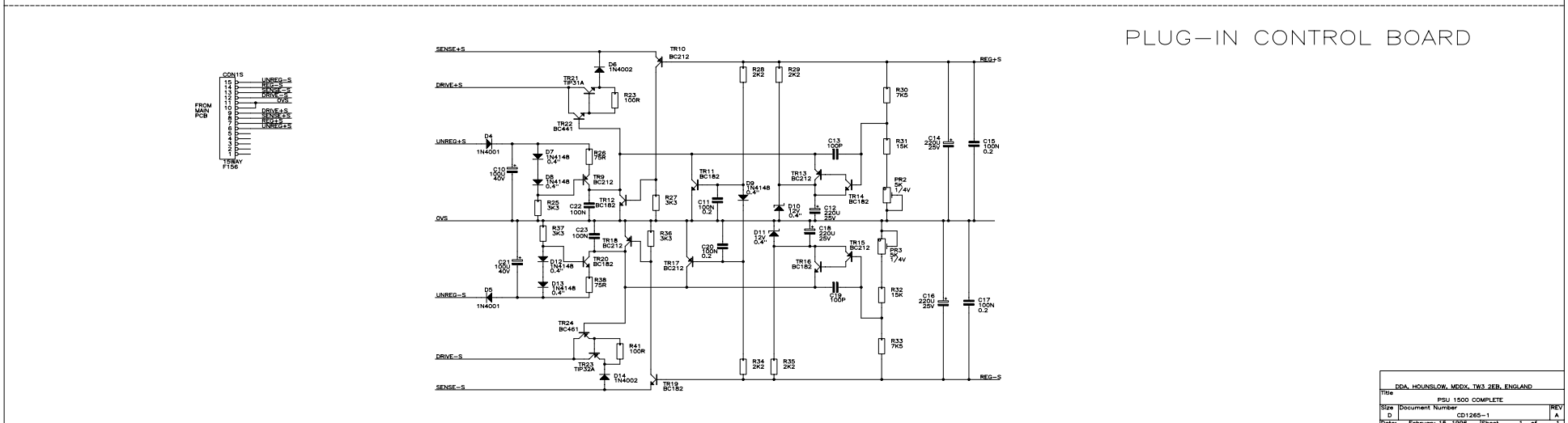
MAINS FUSE 6.3A/T 30mm 250/240V  
 10A/T 20MM 110/120V



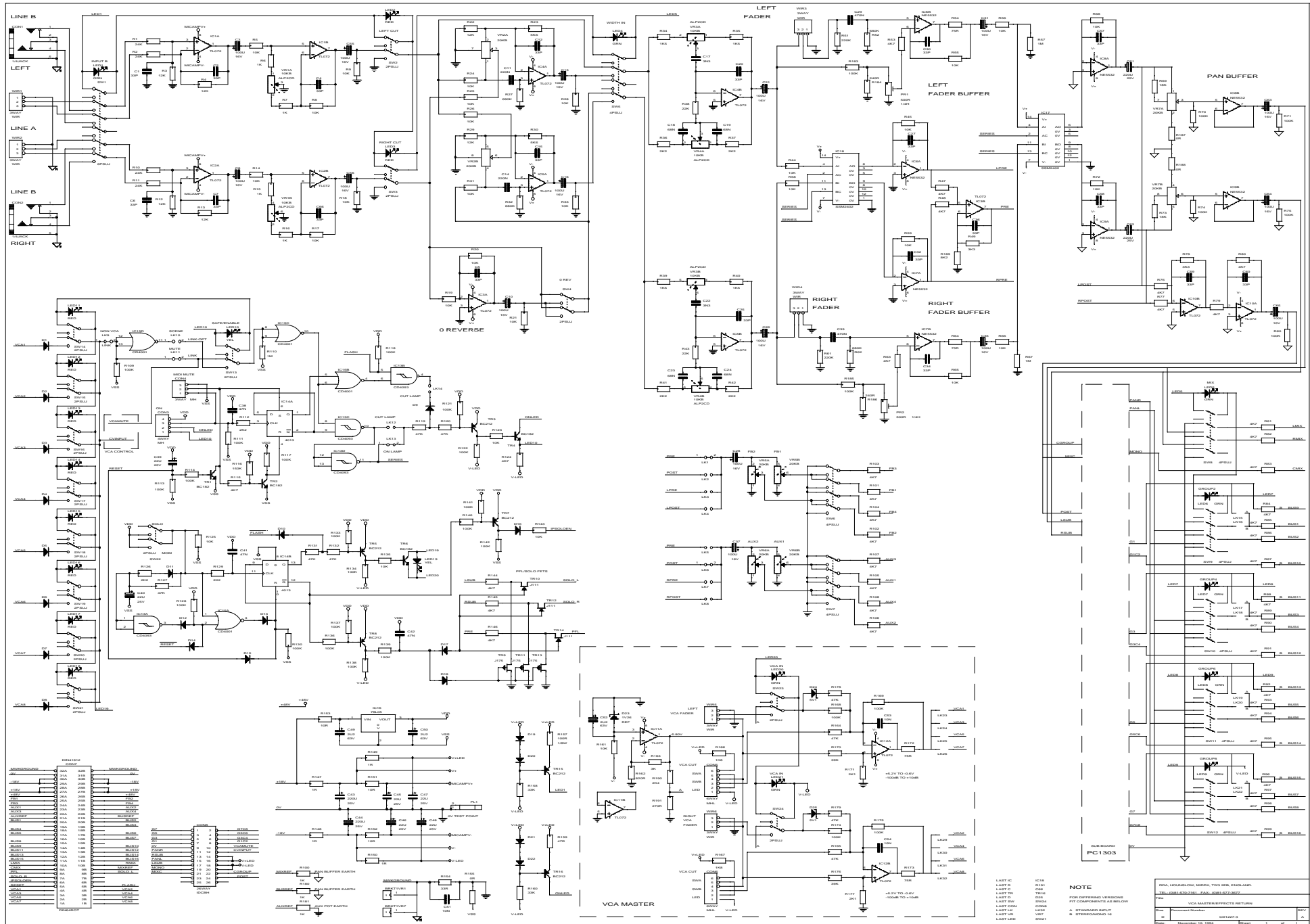
DBA LTD.			
Title	HEXDCM/DCM HD ALIING POWER SUPPLY		
Size	Documents Number		
Q	CD1218-1		
Date	December 14, 1993	Sheet	1 of 1



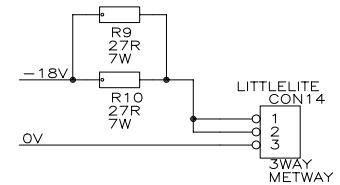
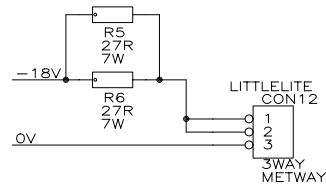
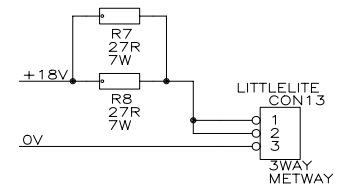
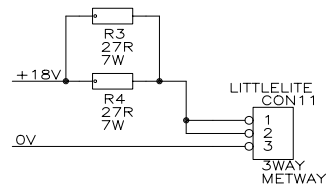
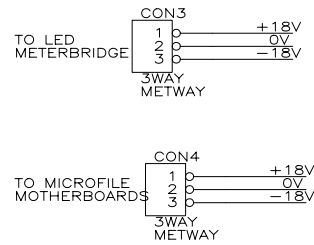
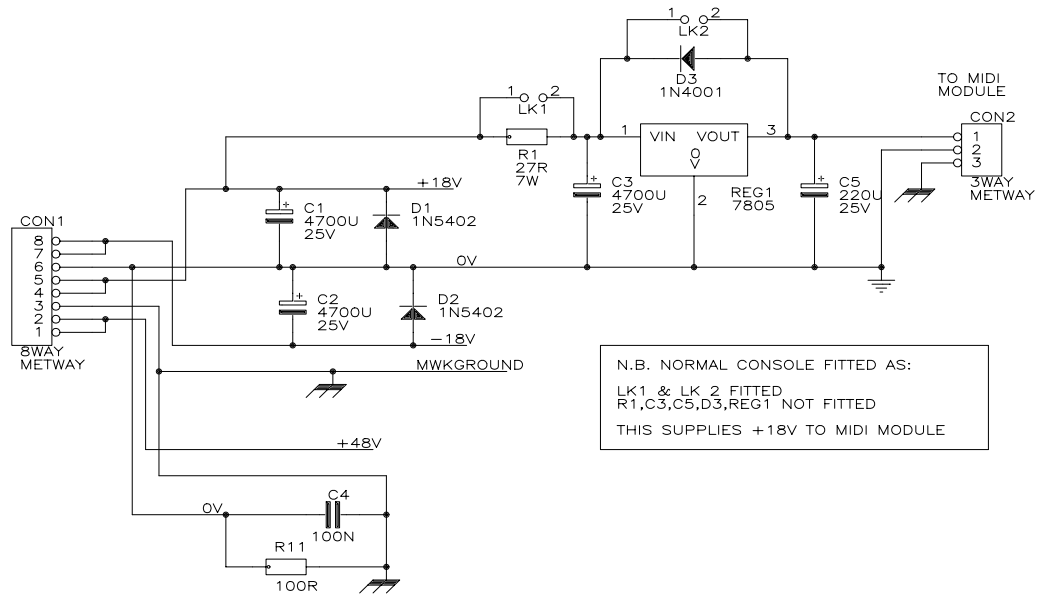
MAIN PSU BOARD AND NON PCB COMPONENTS



PLUG-IN CONTROL BOARD

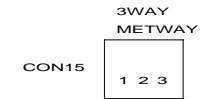
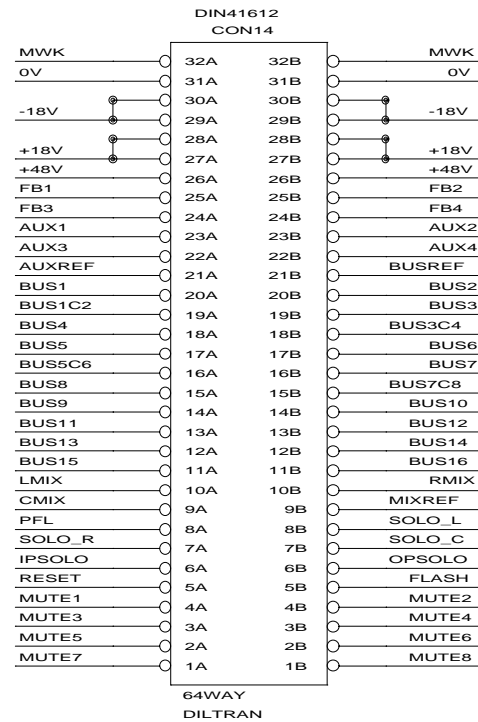
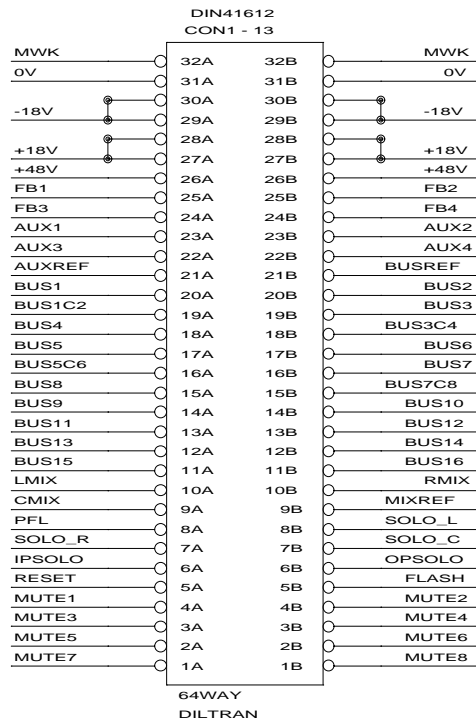




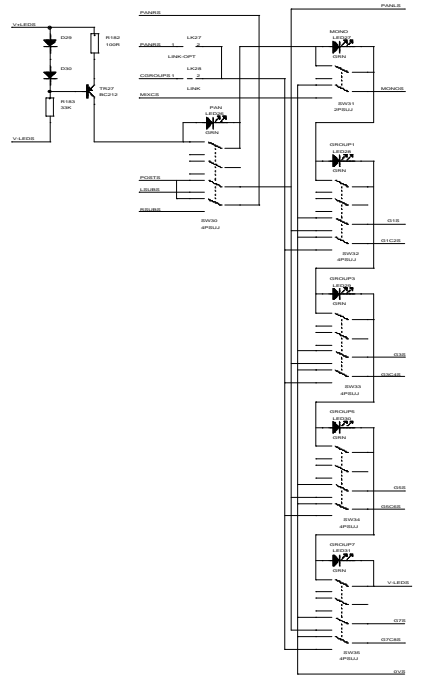
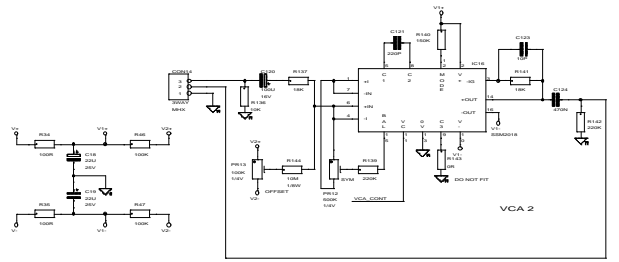
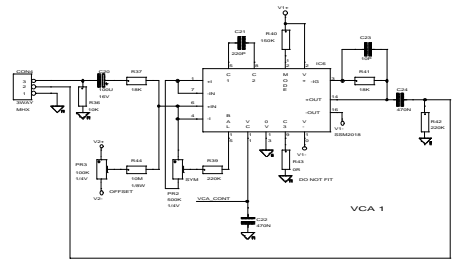
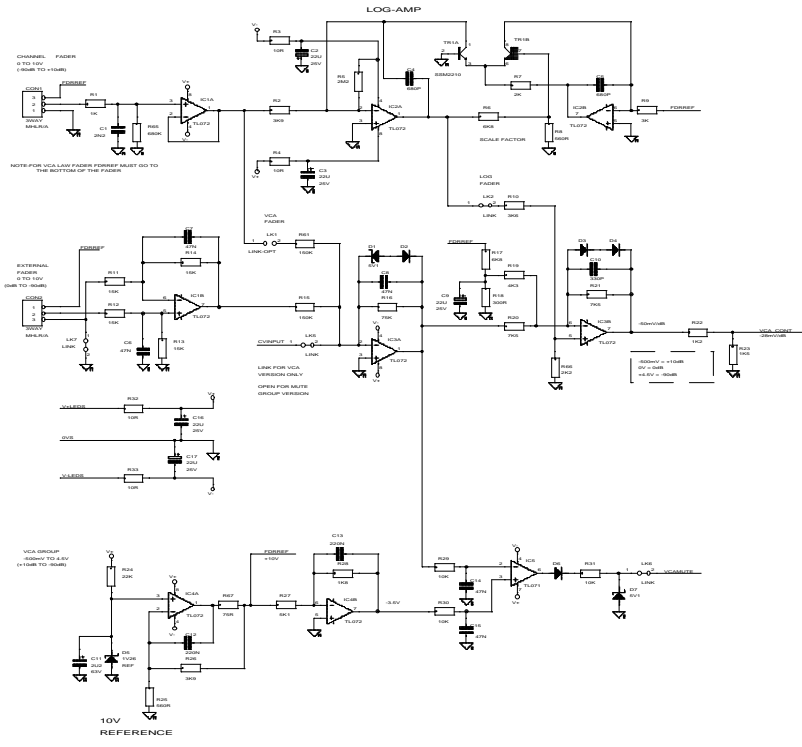


DDA, HOUNSLOW, MIDDX, TW3 2EB, ENGLAND.  
 TEL:(0)81-570-7161 FAX:(0)81-577-3677

Title		
POWER DISTRIBUTION (PC1357-2)		
Size	Document Number	REV
B	CD1239-2	A
Date:	October 27, 1995	Sheet 1 of 1



DDA		
Title		
Q2 MOTHERBOARD (PART ONLY SHOWN)		
Size	Document Number	REV
A	CS0019	1
Date:	June 30, 1993	Sheet of



Pin	Symbol	Description
1	V+	Power
2	V-	Power
3	V+	Power
4	V-	Power
5	V+	Power
6	V-	Power
7	V+	Power
8	V-	Power
9	V+	Power
10	V-	Power
11	V+	Power
12	V-	Power
13	V+	Power
14	V-	Power
15	V+	Power
16	V-	Power
17	V+	Power
18	V-	Power
19	V+	Power
20	V-	Power
21	V+	Power
22	V-	Power
23	V+	Power
24	V-	Power
25	V+	Power
26	V-	Power
27	V+	Power
28	V-	Power
29	V+	Power
30	V-	Power
31	V+	Power
32	V-	Power
33	V+	Power
34	V-	Power
35	V+	Power
36	V-	Power
37	V+	Power
38	V-	Power
39	V+	Power
40	V-	Power
41	V+	Power
42	V-	Power
43	V+	Power
44	V-	Power
45	V+	Power
46	V-	Power
47	V+	Power
48	V-	Power
49	V+	Power
50	V-	Power
51	V+	Power
52	V-	Power
53	V+	Power
54	V-	Power
55	V+	Power
56	V-	Power
57	V+	Power
58	V-	Power
59	V+	Power
60	V-	Power
61	V+	Power
62	V-	Power
63	V+	Power
64	V-	Power
65	V+	Power
66	V-	Power
67	V+	Power
68	V-	Power
69	V+	Power
70	V-	Power
71	V+	Power
72	V-	Power
73	V+	Power
74	V-	Power
75	V+	Power
76	V-	Power
77	V+	Power
78	V-	Power
79	V+	Power
80	V-	Power
81	V+	Power
82	V-	Power
83	V+	Power
84	V-	Power
85	V+	Power
86	V-	Power
87	V+	Power
88	V-	Power
89	V+	Power
90	V-	Power
91	V+	Power
92	V-	Power
93	V+	Power
94	V-	Power
95	V+	Power
96	V-	Power
97	V+	Power
98	V-	Power
99	V+	Power
100	V-	Power