

# **Q II - FOH**

Schematics

Klark Teknik Building  
Walter Nash Road  
Kidderminster  
Worcestershire  
DY11 7HJ

Tel: +44 (0) 1562 741515

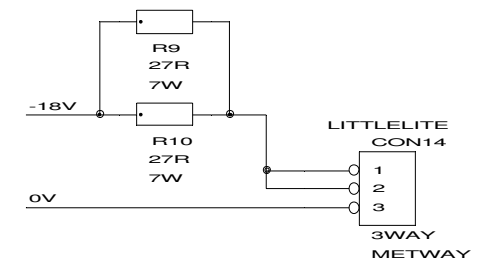
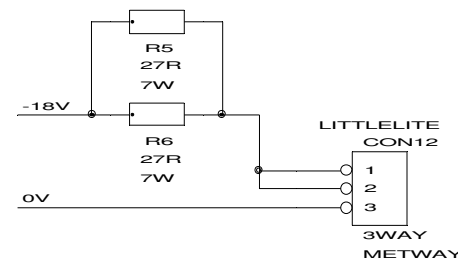
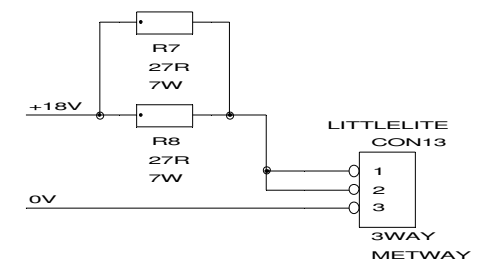
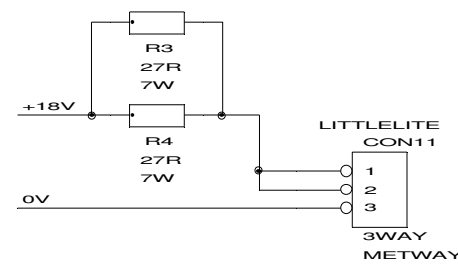
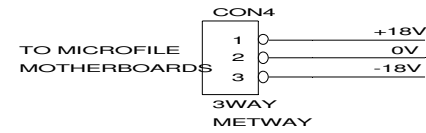
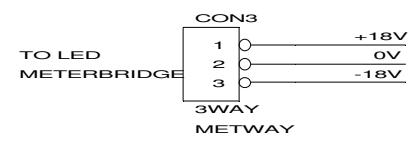
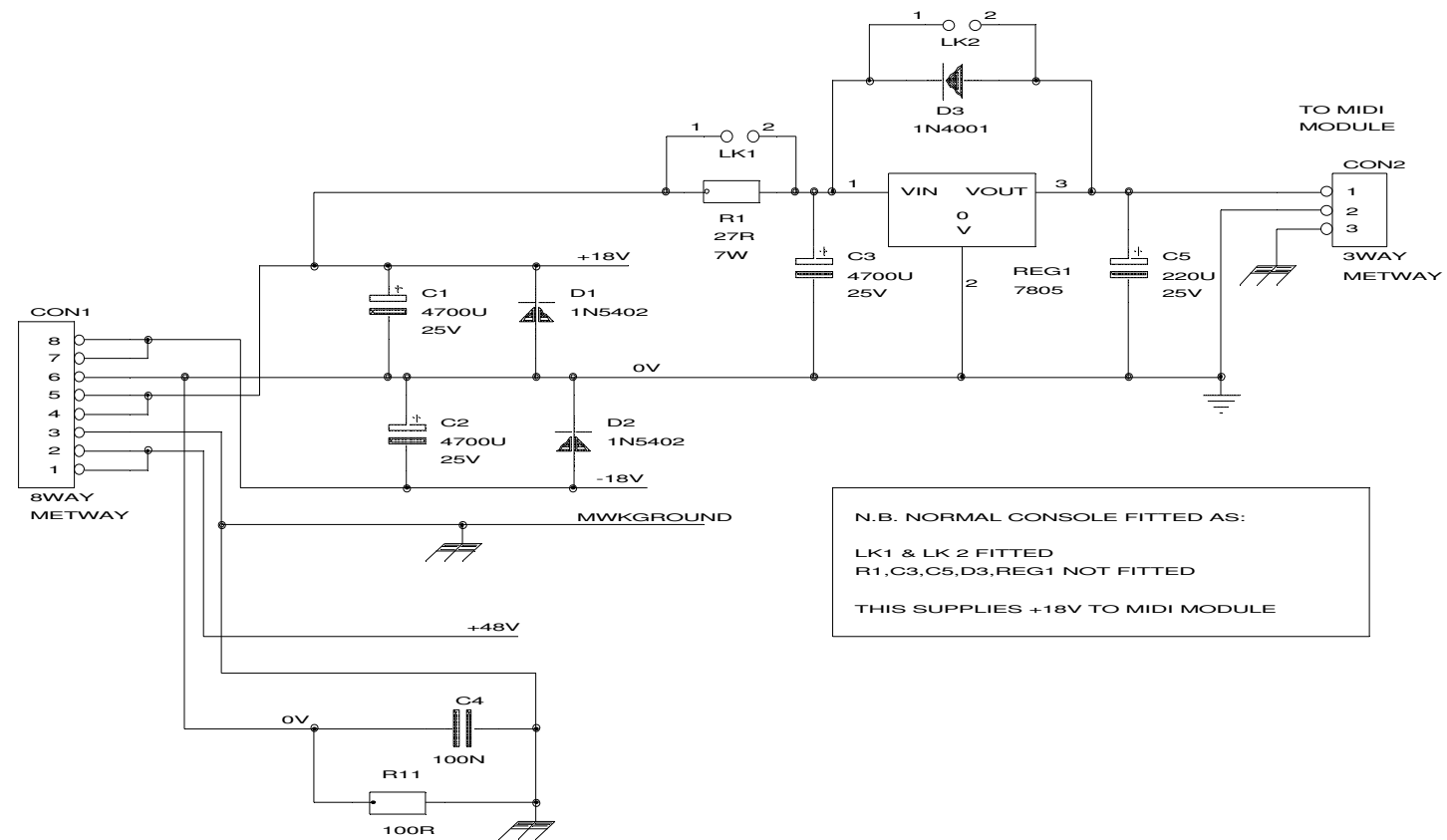
Fax: +44 (0) 1562 745371

Email: [info@uk.telex.com](mailto:info@uk.telex.com)

Website: [www.ddaconsole.com](http://www.ddaconsole.com)

Q II - FOH Schematics  
© Telex Communications (UK) Limited

In line with the company's policy of continual improvement, specifications and function maybe subject to change without notice. This Operator Manual was correct at the time of writing. E&OE.

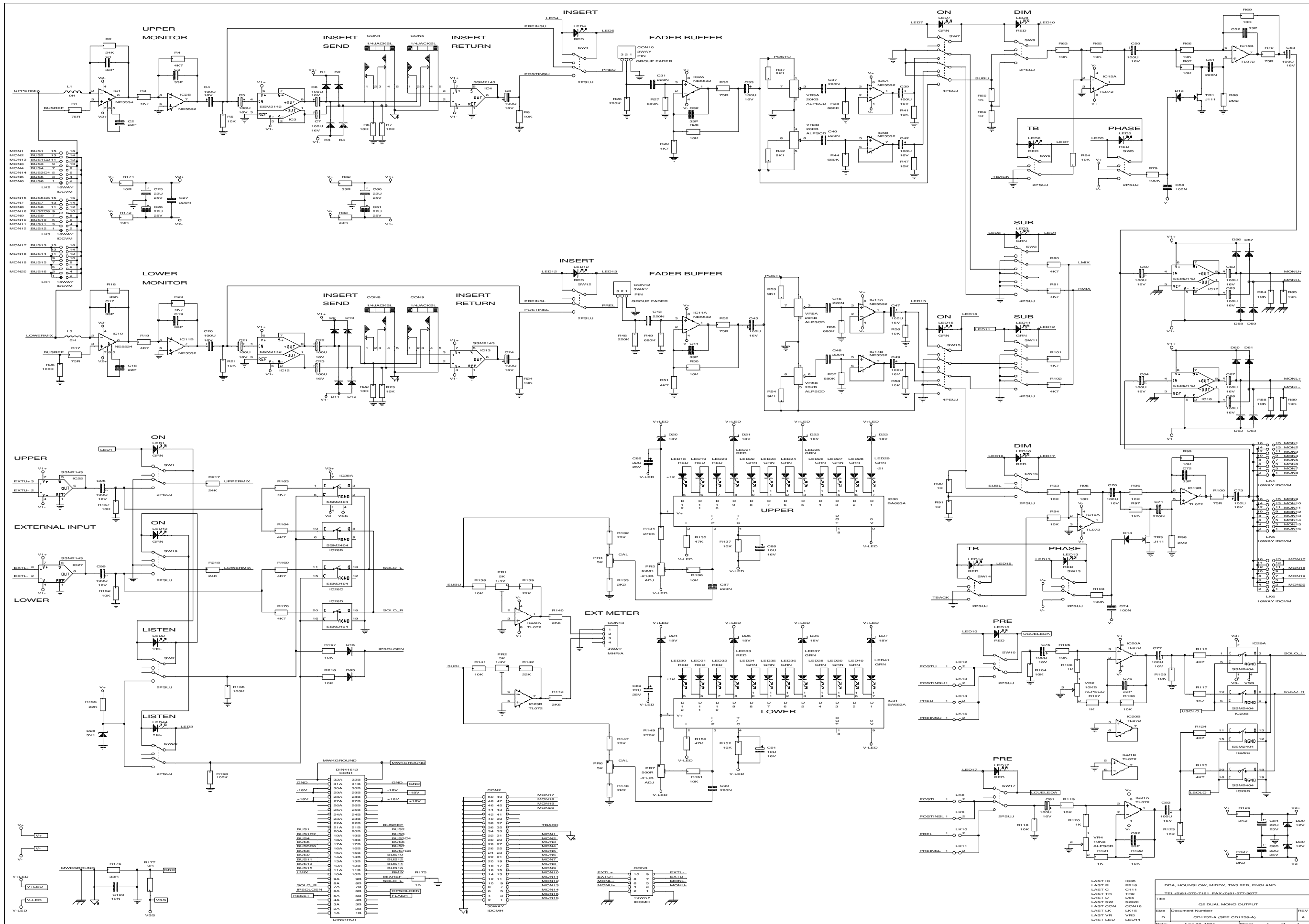


DDA, HOUNSLOW, MIDDX, TW3 2EB, ENGLAND.		
TEL:(0)81-570-7161 FAX:(0)81-577-3677		
Title POWER DISTRIBUTION (PC1357-1)		
Size B	Document Number CD1239-1	REV A
Date: February 14, 1995	Sheet 1	of 1

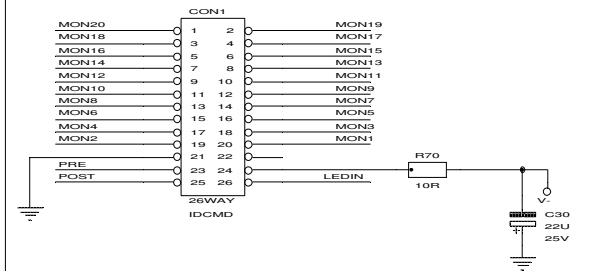
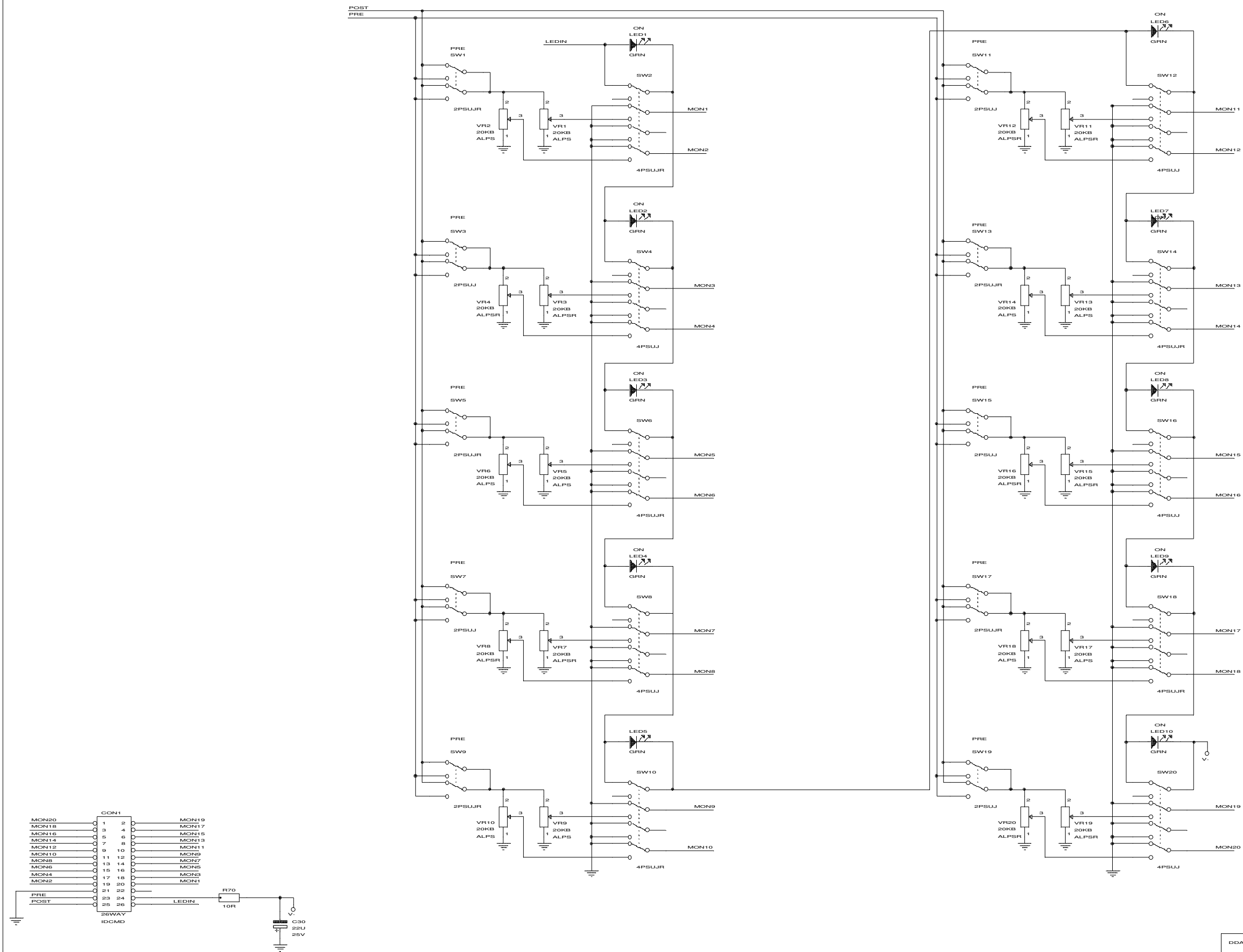


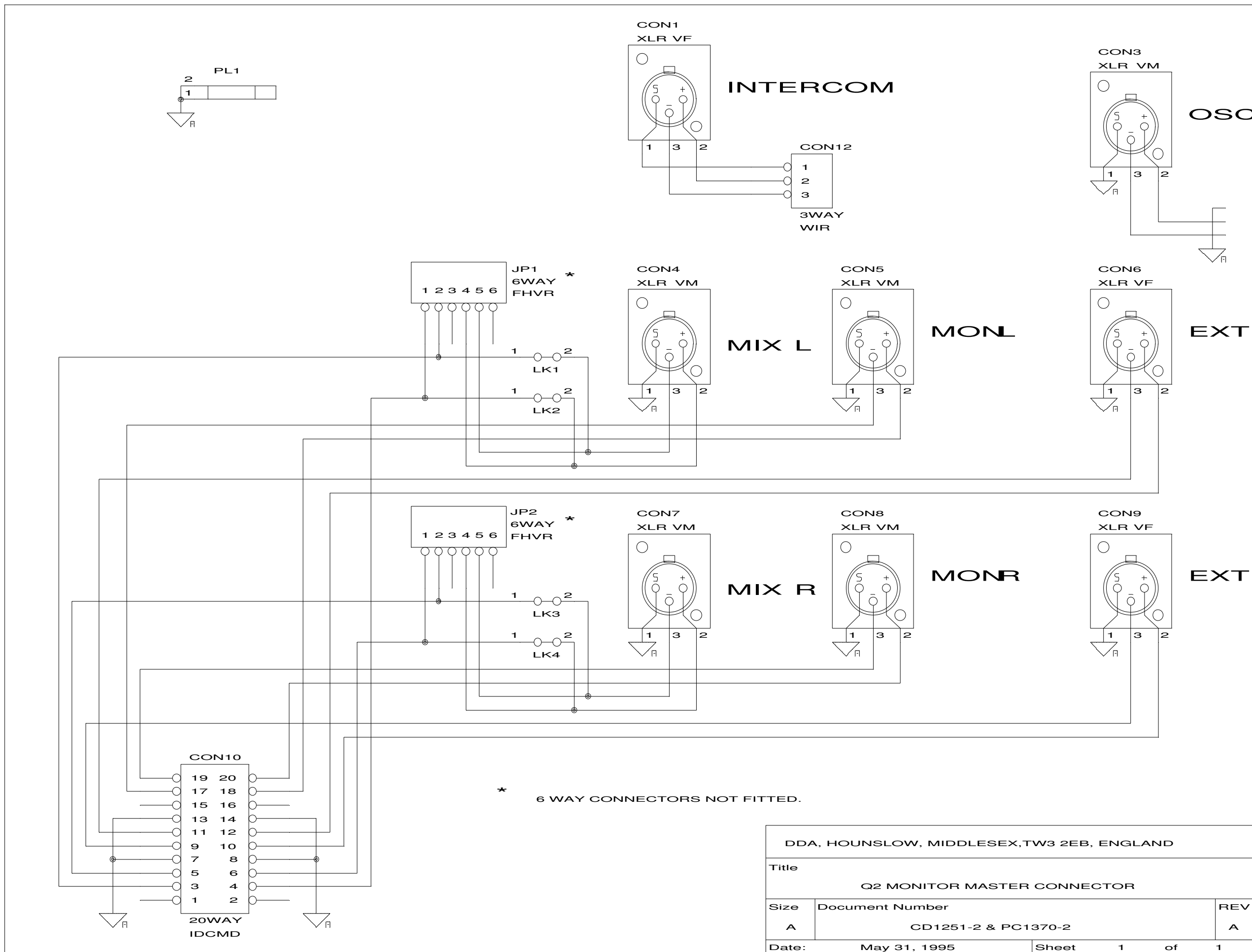






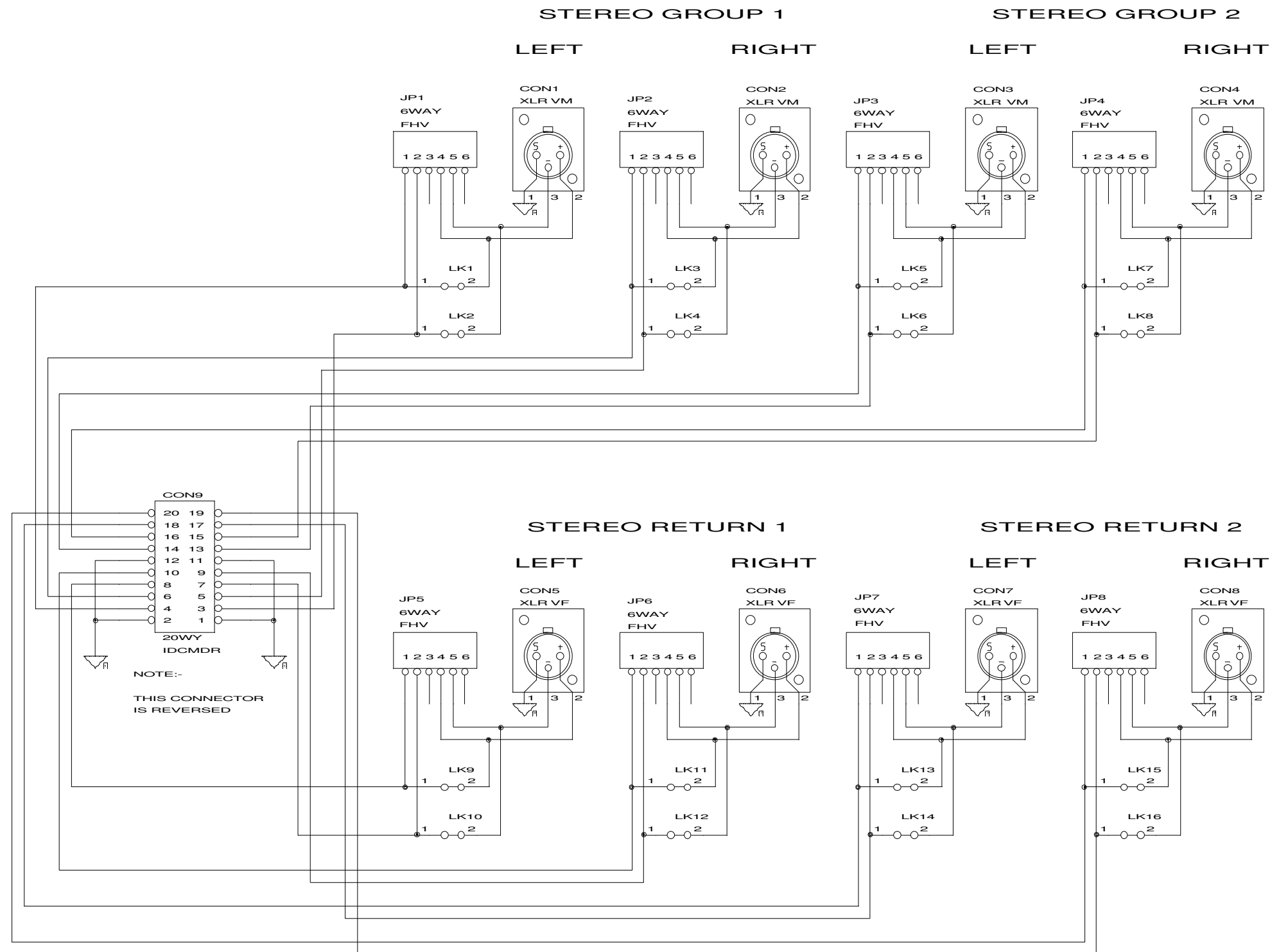
DDA, HOUNSLOW, MDDX, TW3 2EB, ENGLAND.  
 TEL: (081-572) 7161 FAX: (081-572) 3877  
 Size: CD DUAL MONO OUTPUT  
 D: CD1257-A (SEE CD1258-A)  
 Date: June 30, 1994 Sheet 1 of 1



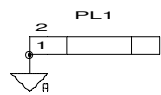


DDA, HOUNSLOW, MIDDLESEX, TW3 2EB, ENGLAND		
Title Q2 MONITOR MASTER CONNECTOR		
Size A	Document Number CD1251-2 & PC1370-2	REV A
Date: May 31, 1995	Sheet 1	of 1



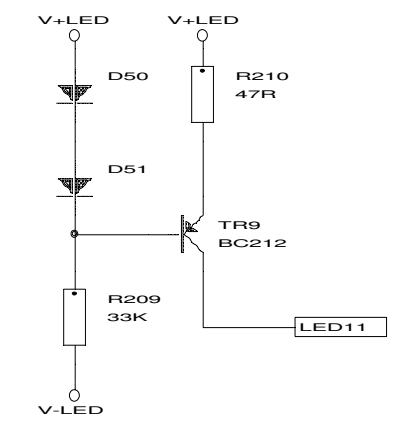
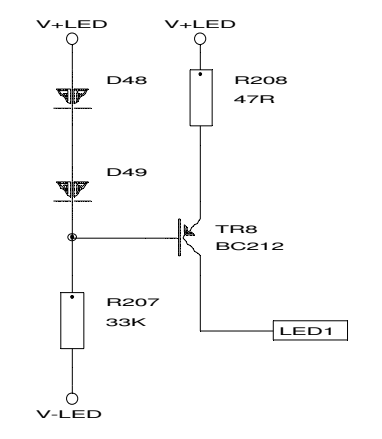
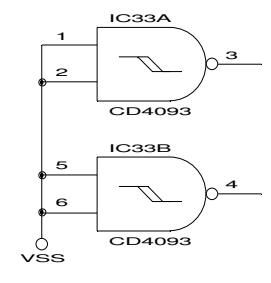
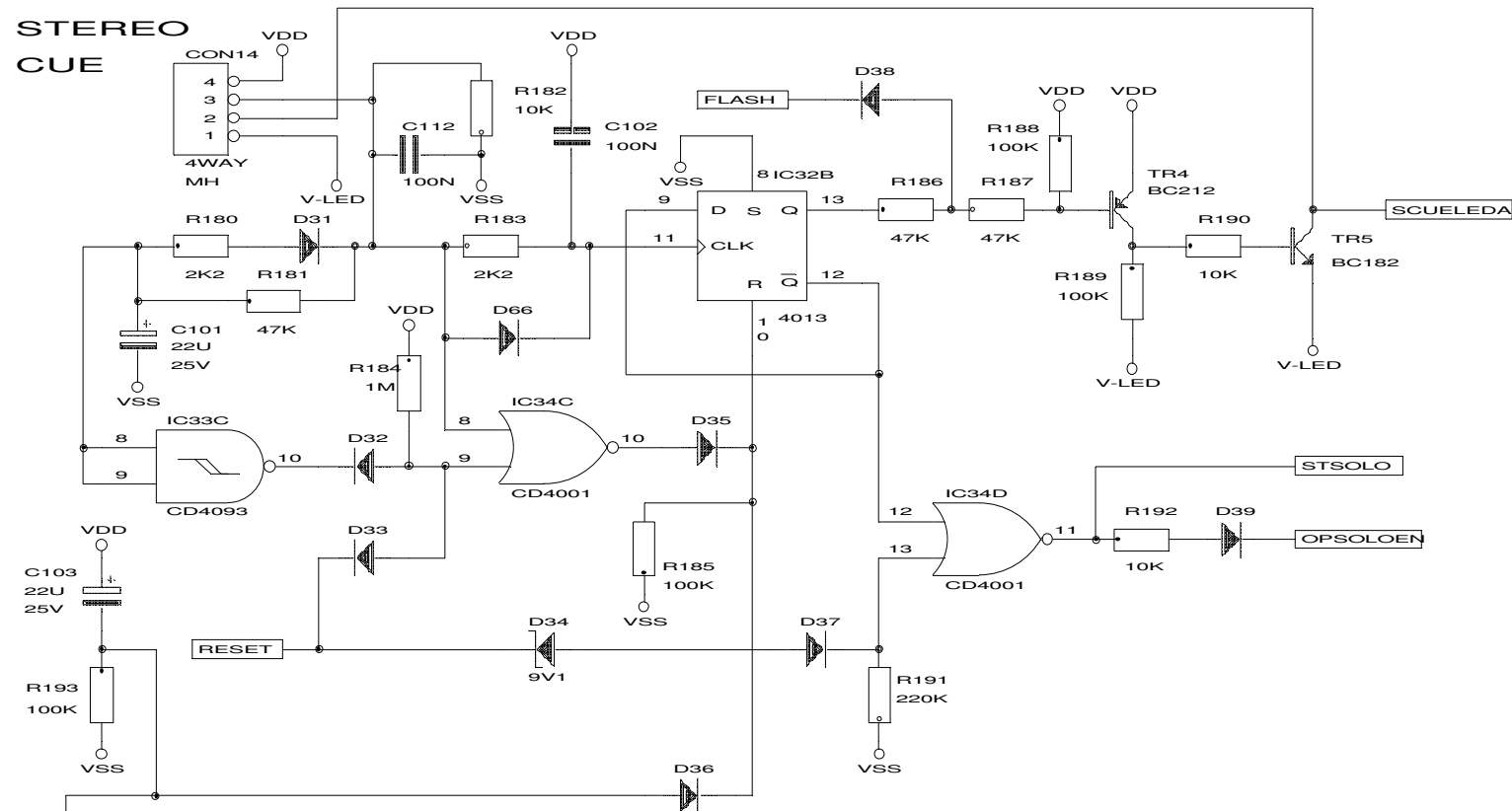


NOTE:-  
THIS CONNECTOR  
IS REVERSED

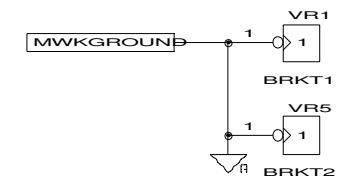
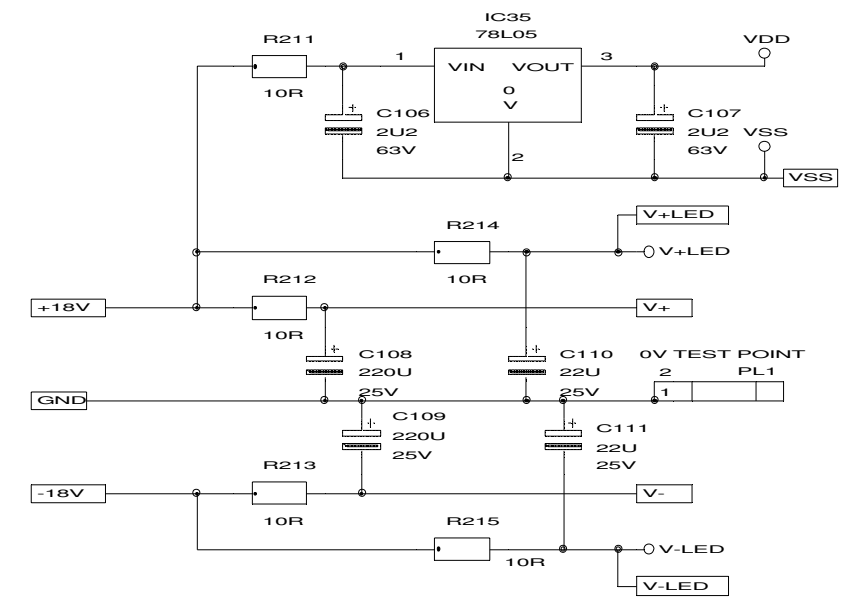
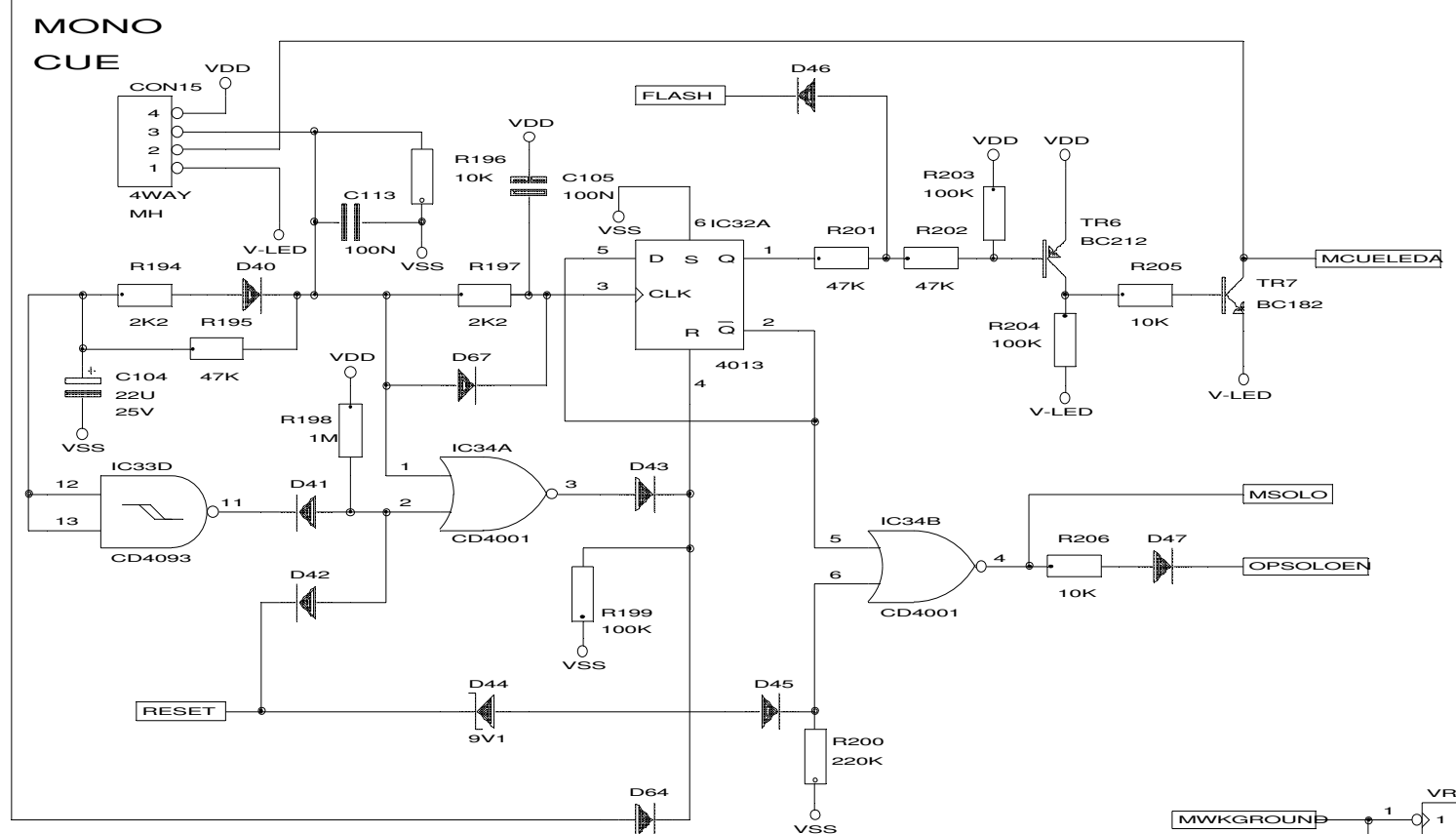


DDA, HOUNSLOW, MIDDLESEX, TW3 2EB, ENGLAND		
Title Q2 MONITOR STEREO OUTPUT CONNECTOR		
Size B	Document Number CD1250-1	REV A
Date: July 8, 1994	Sheet of	1

**STEREO  
CUE**



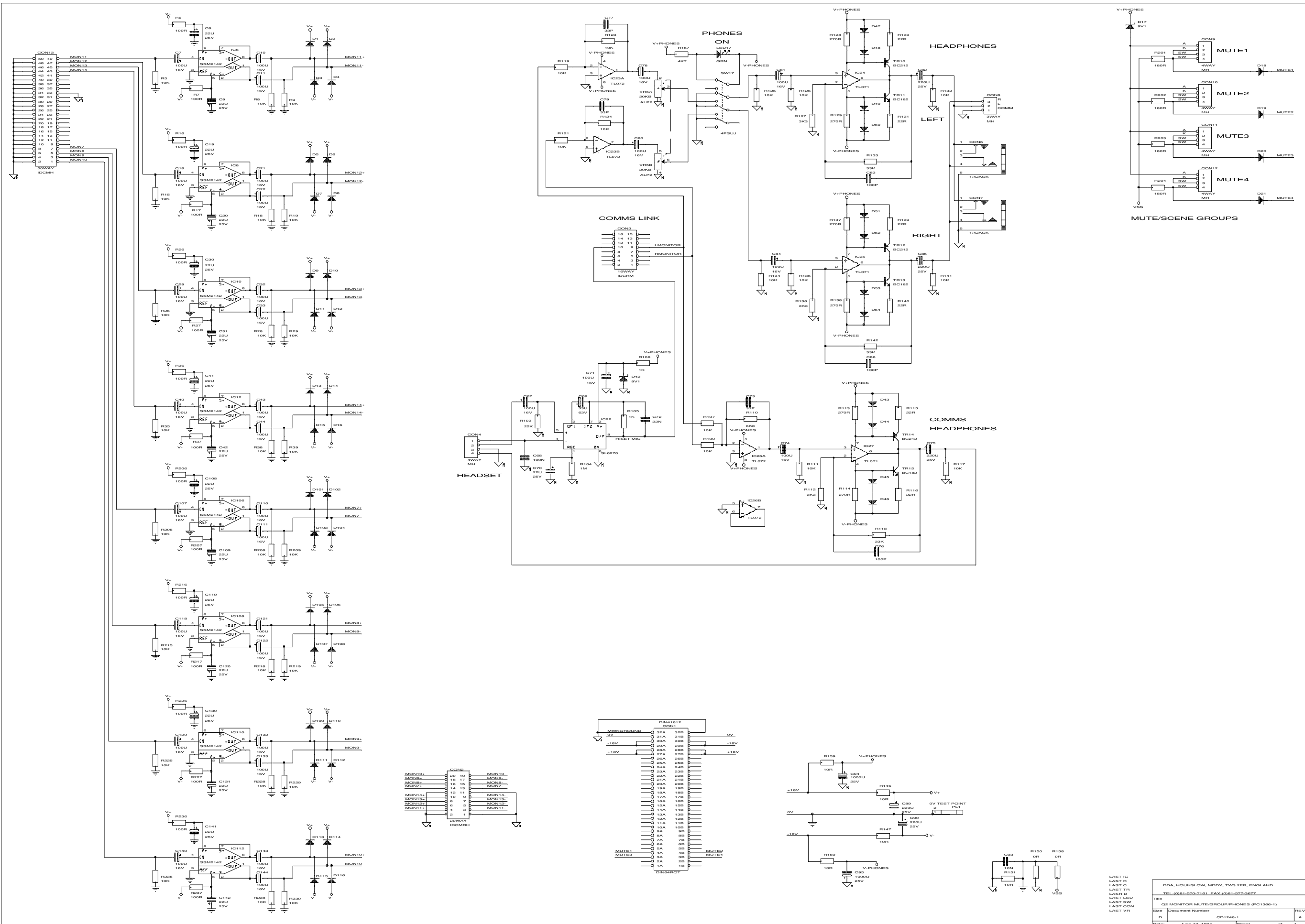
**MONO  
CUE**



- LAST IC IC35
- LAST R R215
- LAST C C113
- LAST TR TR9
- LAST D D67
- LAST SW SW17
- LAST CON CON15
- LAST LK LK11
- LAST VR VR5
- LAST LED LED41

DDA, HOUNSLOW, MIDDX, TW3 2EB, ENGLAND.		
TEL:(0)81-570-7161 FAX:(0)81-577-3677		
Title		
Q2 MONITOR STEREO OUTPUT (LOGIC)		
Size	Document Number	REV
B	CD1248-2 (PC1365-2 & PC1368-1)	A
Date:	March 9, 1995	Sheet 2 of 2

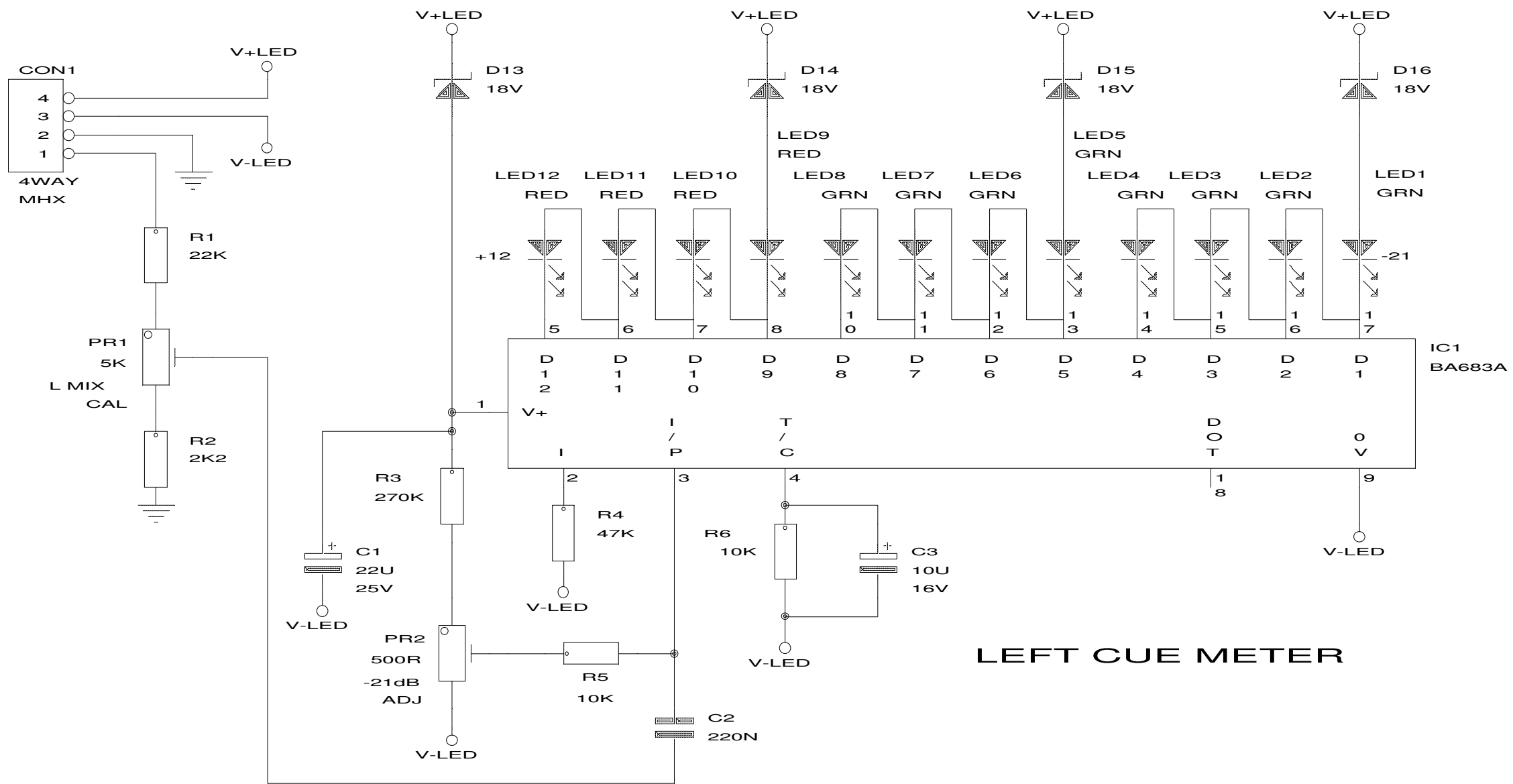




LAST IC  
 LAST R  
 LAST C  
 LAST TR  
 LAST LED  
 LAST SW  
 LAST CON  
 LAST VFI

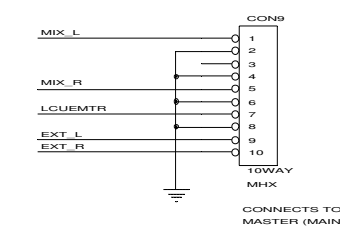
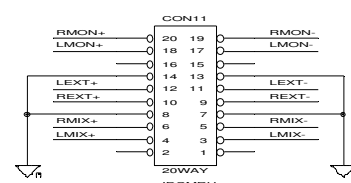
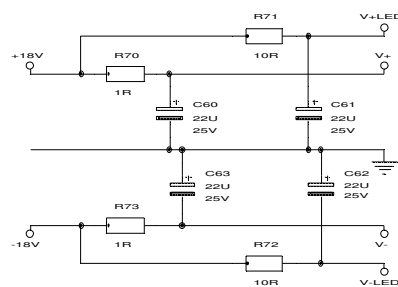
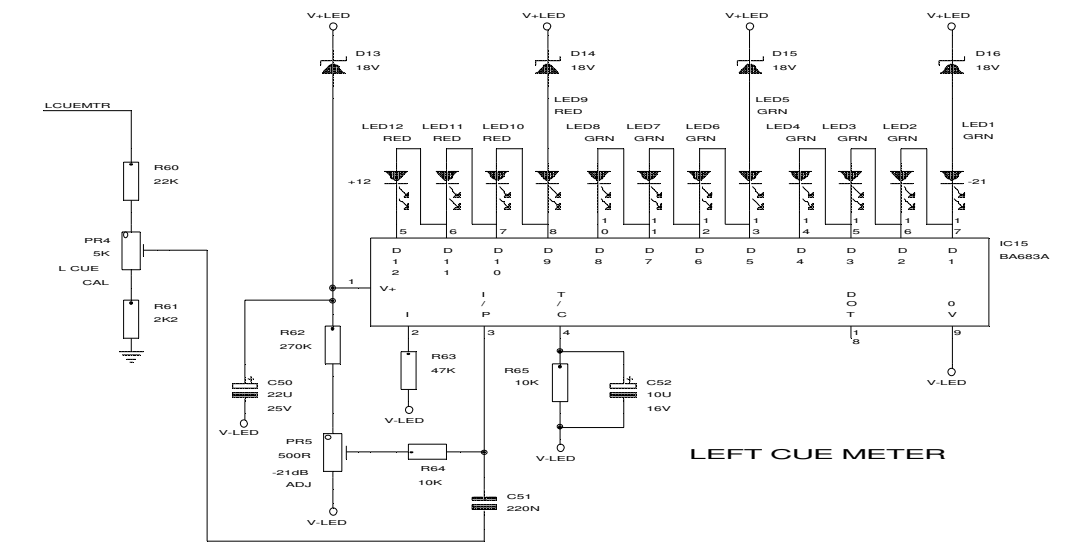
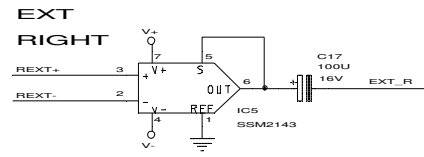
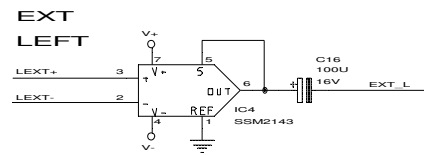
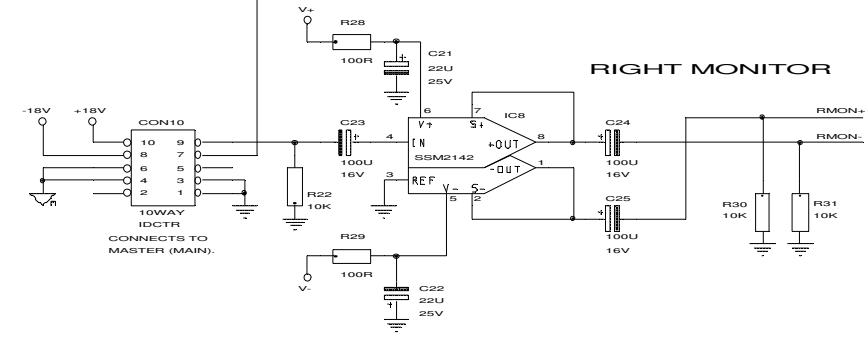
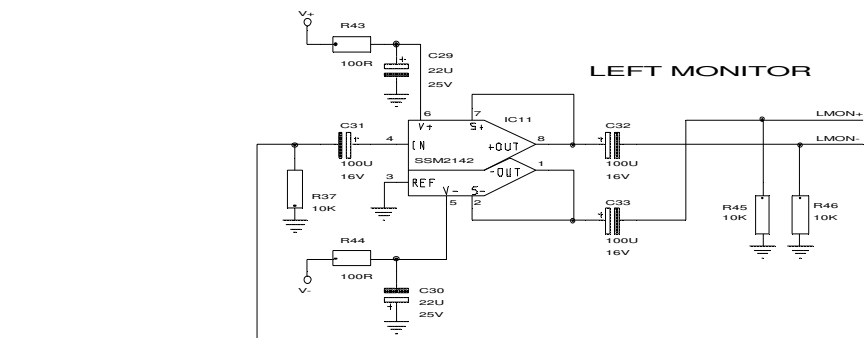
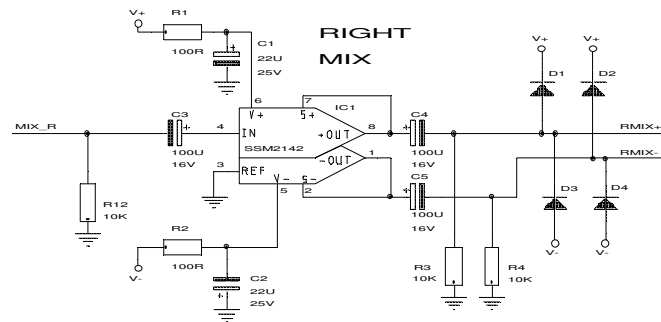
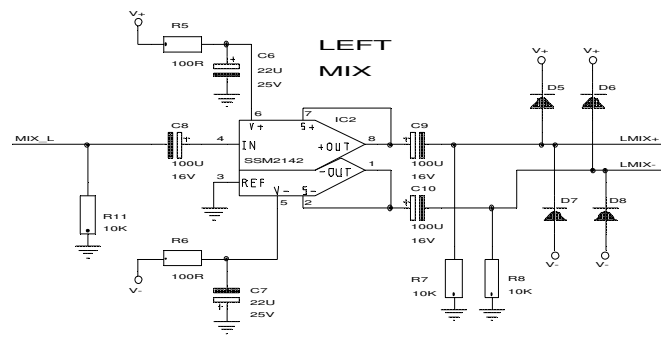
DDA, HOUNSLOW, MDDX, TW3 2EB, ENGLAND	
TEL (0981) 579-7191 FAX (0981) 577-9877	
Title: CD MUX FOR MUTE/GROUP/PHONES (PC1366-1)	
Rev: Document Number	REV
D	CD1246-1
Date: June 17, 1994	Sheet of 1



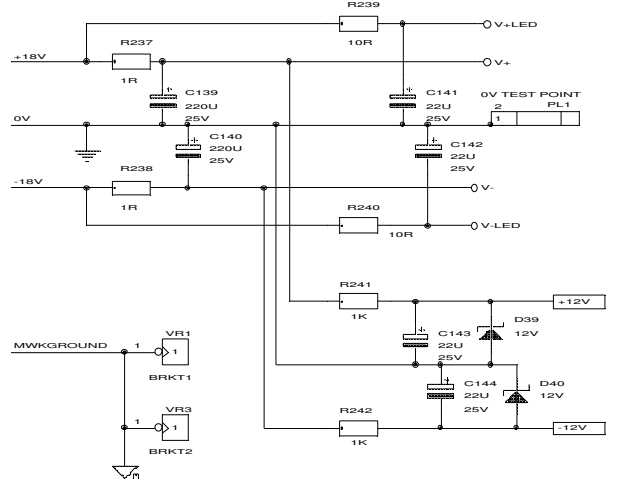
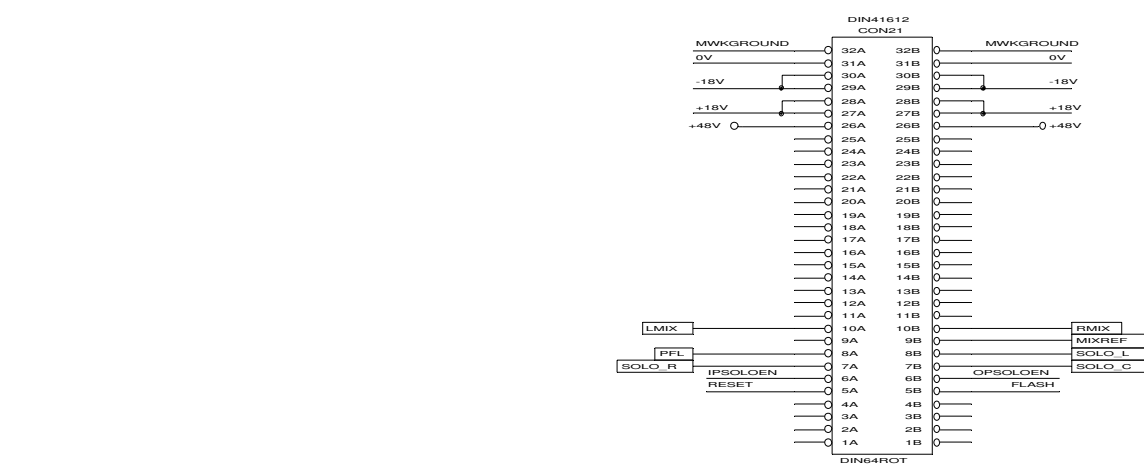
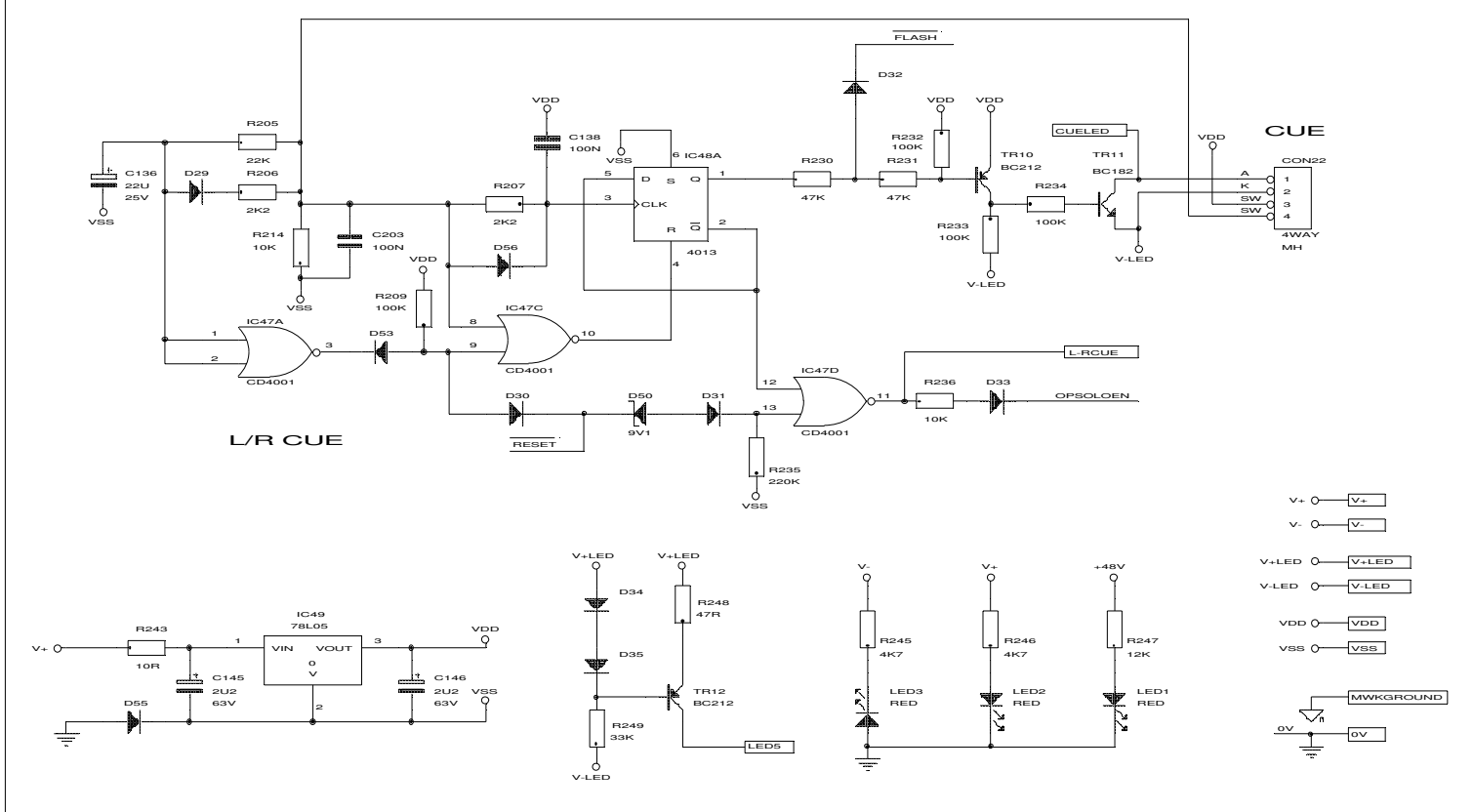
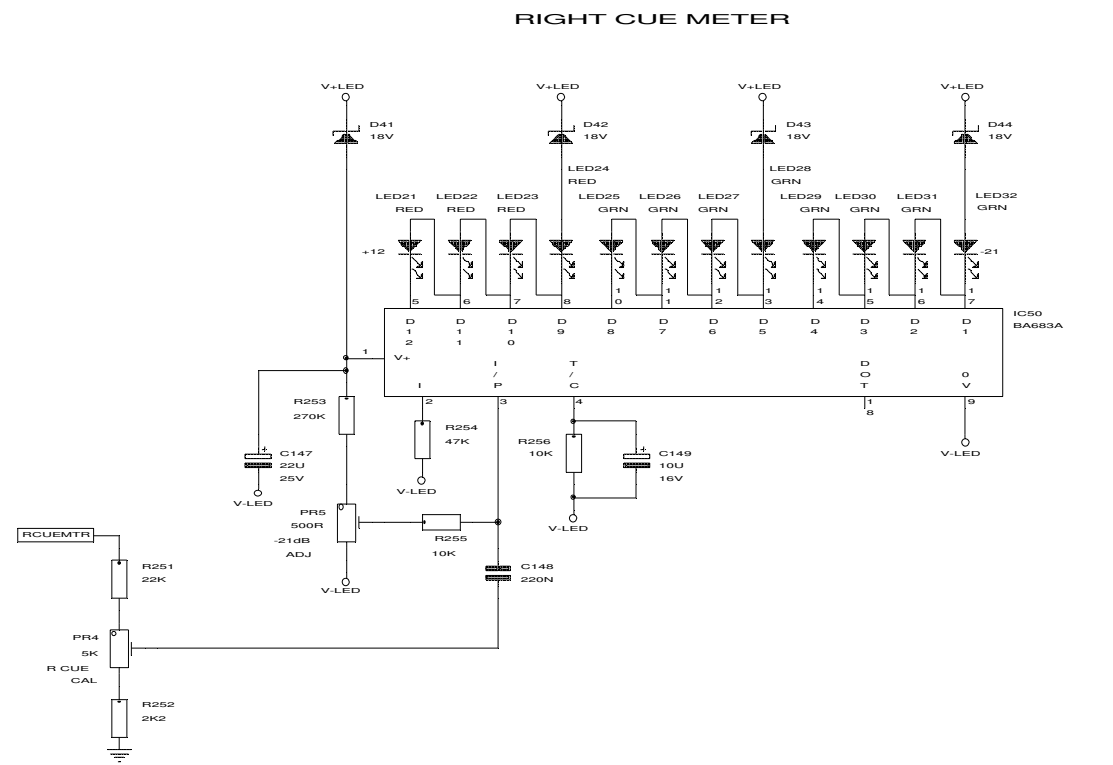
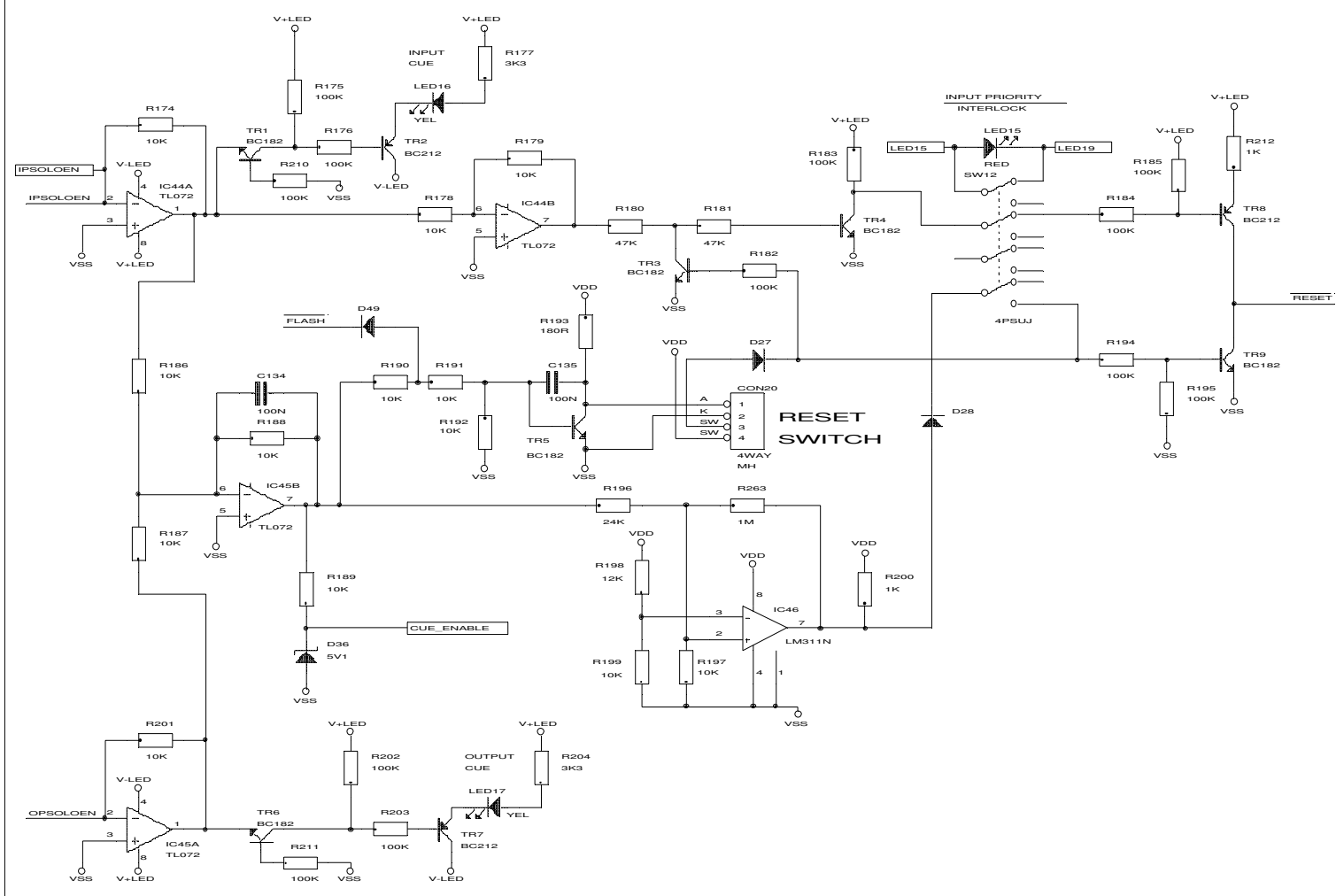


**LEFT CUE METER**

DDA, HOUNSLOW, MIDDX. TW3 2EB. ENGLAND.		
Title Q2 MONITOR COMMS SUB (METER)		
Size A	Document Number CD1244-1 & PC1364-1	REV 1
Date:	July 8, 1994	Sheet 1 of 1



DDA, HOUNSLOW, MIDDX, TW3 2EB, ENGLAND.		
Title: G2 MONITOR MASTER SUB-BOARD		
Size: C	Document Number: CD1241-1 & PC1362-1	REV: 1
Date: July 8, 1994	Sheet: 1	of: 1

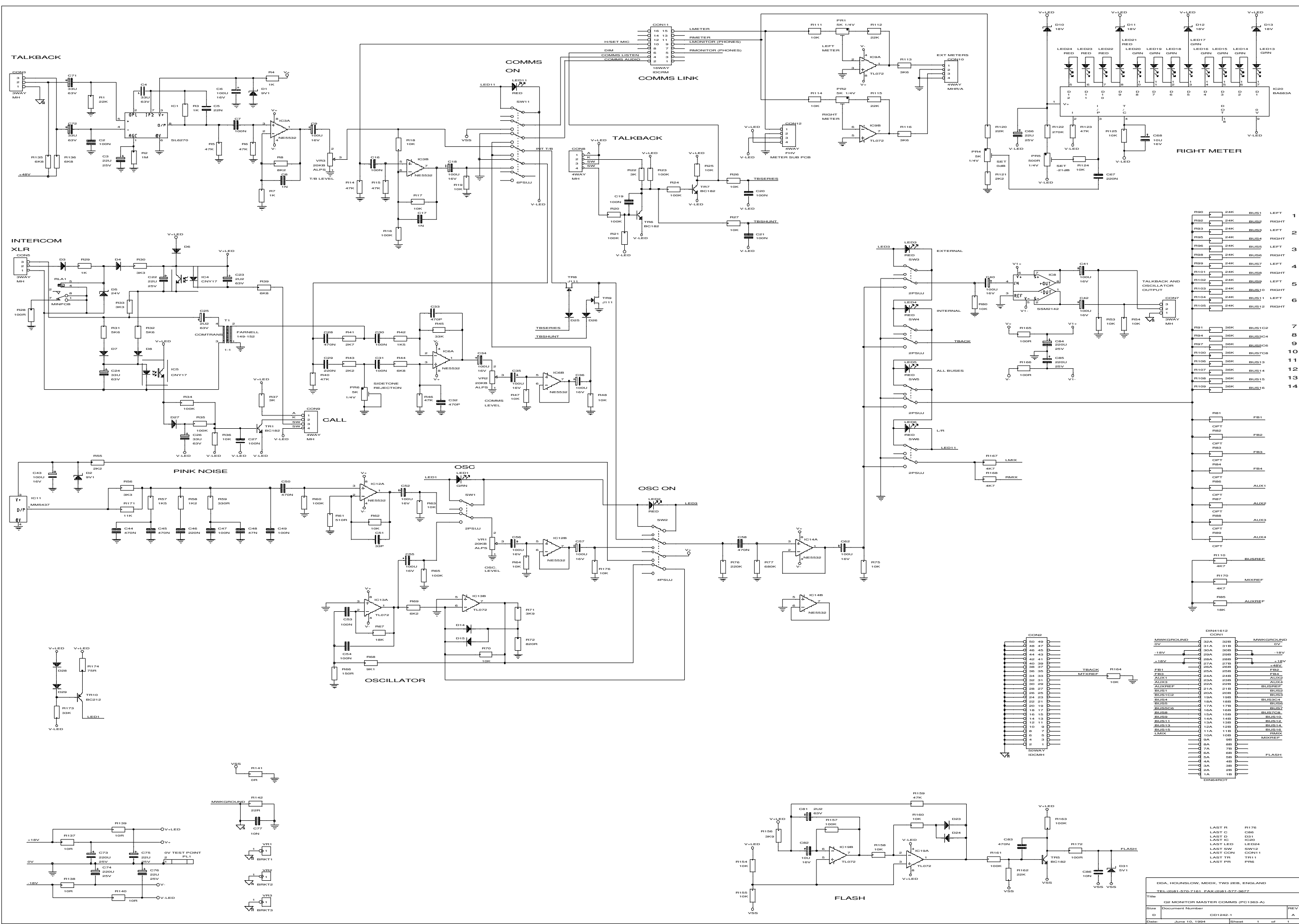


**UNUSED GATES.**

DDA, HOUNSLOW, MDDX, TW3 2EB, ENGLAND.

Title	G2 MONITOR MASTER LOGIC		REV
Size	Document Number	CD1243-2	C
Date:	December 11, 1995	Sheet	2 of 2





- R90 24K BUS1 LEFT 1
- R91 24K BUS2 RIGHT 1
- R92 24K BUS3 RIGHT 2
- R93 24K BUS4 LEFT 2
- R94 24K BUS5 LEFT 3
- R95 24K BUS6 RIGHT 3
- R96 24K BUS7 LEFT 4
- R97 24K BUS8 LEFT 5
- R98 24K BUS9 RIGHT 5
- R99 24K BUS10 LEFT 6
- R100 24K BUS11 LEFT 6
- R101 24K BUS12 RIGHT 6
- R102 30K BUS12 7
- R103 30K BUS24 8
- R104 30K BUS24 9
- R105 30K BUS24 10
- R106 30K BUS24 11
- R107 30K BUS24 12
- R108 30K BUS24 13
- R109 30K BUS24 14
- R110 4K7 BUSREF
- R111 4K7 MIXREF
- R112 4K7 AUXREF

DIN41612		CON1	
MMWGROUND	1A	30A	MMWGROUND
0V	2A	31A	0V
-18V	3A	32A	-18V
-18V	4A	33A	-18V
-18V	5A	34A	-18V
0V	6A	35A	0V
0V	7A	36A	0V
0V	8A	37A	0V
0V	9A	38A	0V
0V	10A	39A	0V
0V	11A	40A	0V
0V	12A	41A	0V
0V	13A	42A	0V
0V	14A	43A	0V
0V	15A	44A	0V
0V	16A	45A	0V
0V	17A	46A	0V
0V	18A	47A	0V
0V	19A	48A	0V
0V	20A	49A	0V
0V	21A	50A	0V
0V	22A		
0V	23A		
0V	24A		
0V	25A		
0V	26A		
0V	27A		
0V	28A		
0V	29A		
0V	30A		
0V	31A		
0V	32A		
0V	33A		
0V	34A		
0V	35A		
0V	36A		
0V	37A		
0V	38A		
0V	39A		
0V	40A		
0V	41A		
0V	42A		
0V	43A		
0V	44A		
0V	45A		
0V	46A		
0V	47A		
0V	48A		
0V	49A		
0V	50A		



