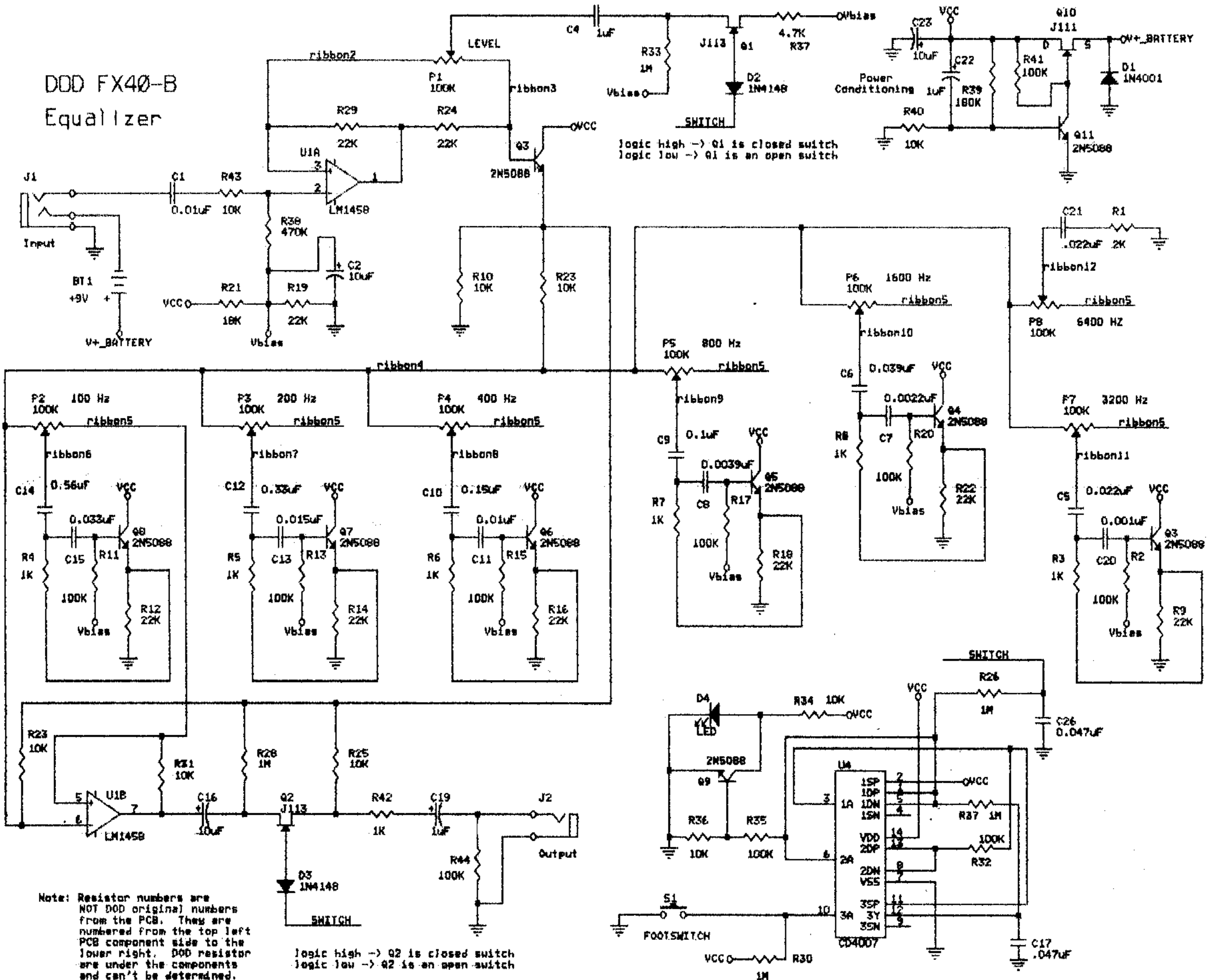


DOD FX40-B Equalizer



Note: Resistor numbers are NOT DOD original numbers from the PCB. They are numbered from the top left PCB component side to the lower right. DOD resistor are under the components and can't be determined.

logic high -> Q2 is closed switch
logic low -> Q2 is an open switch

logic high -> Q1 is closed switch
logic low -> Q1 is an open switch

Effect Bypass Switch