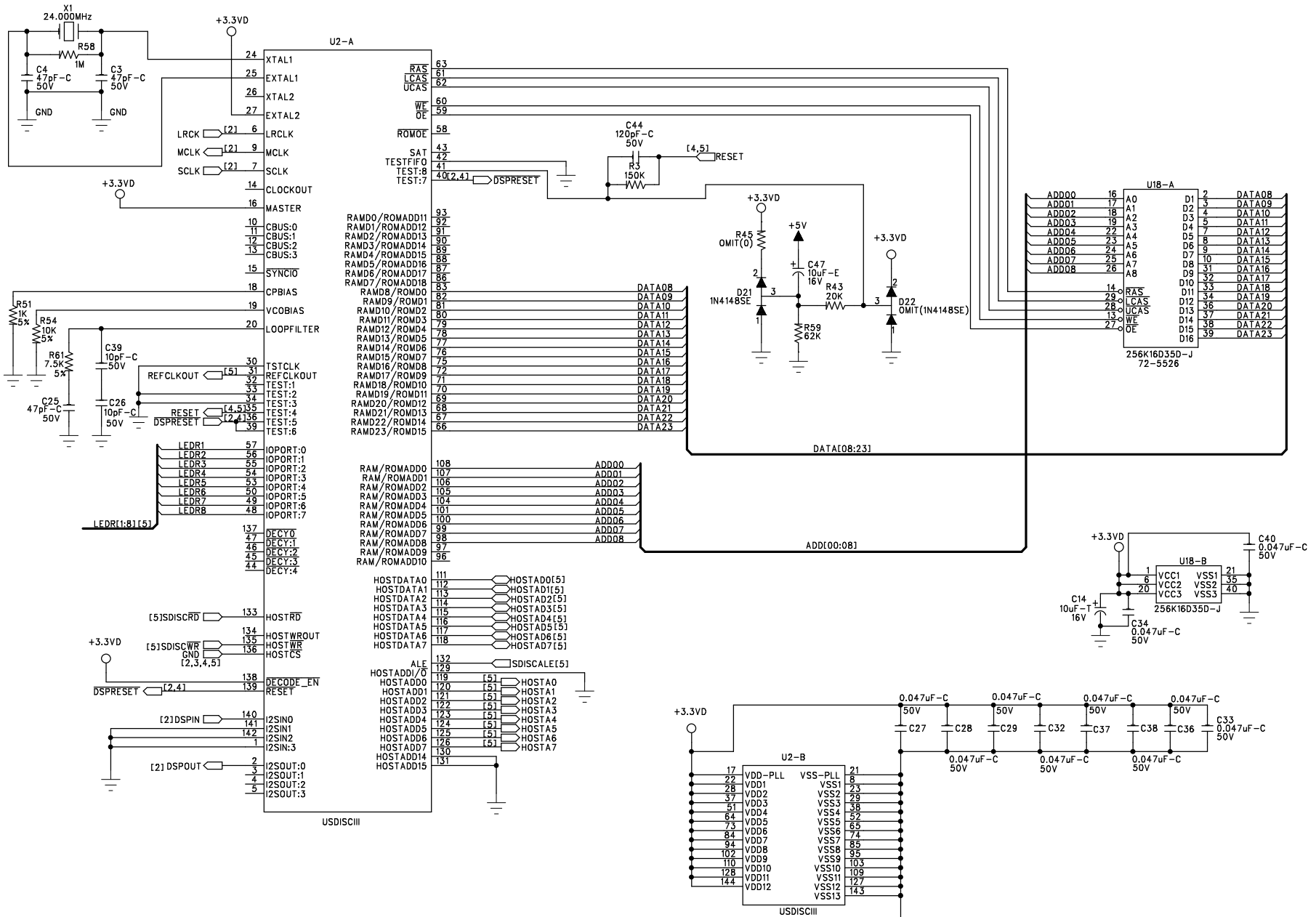
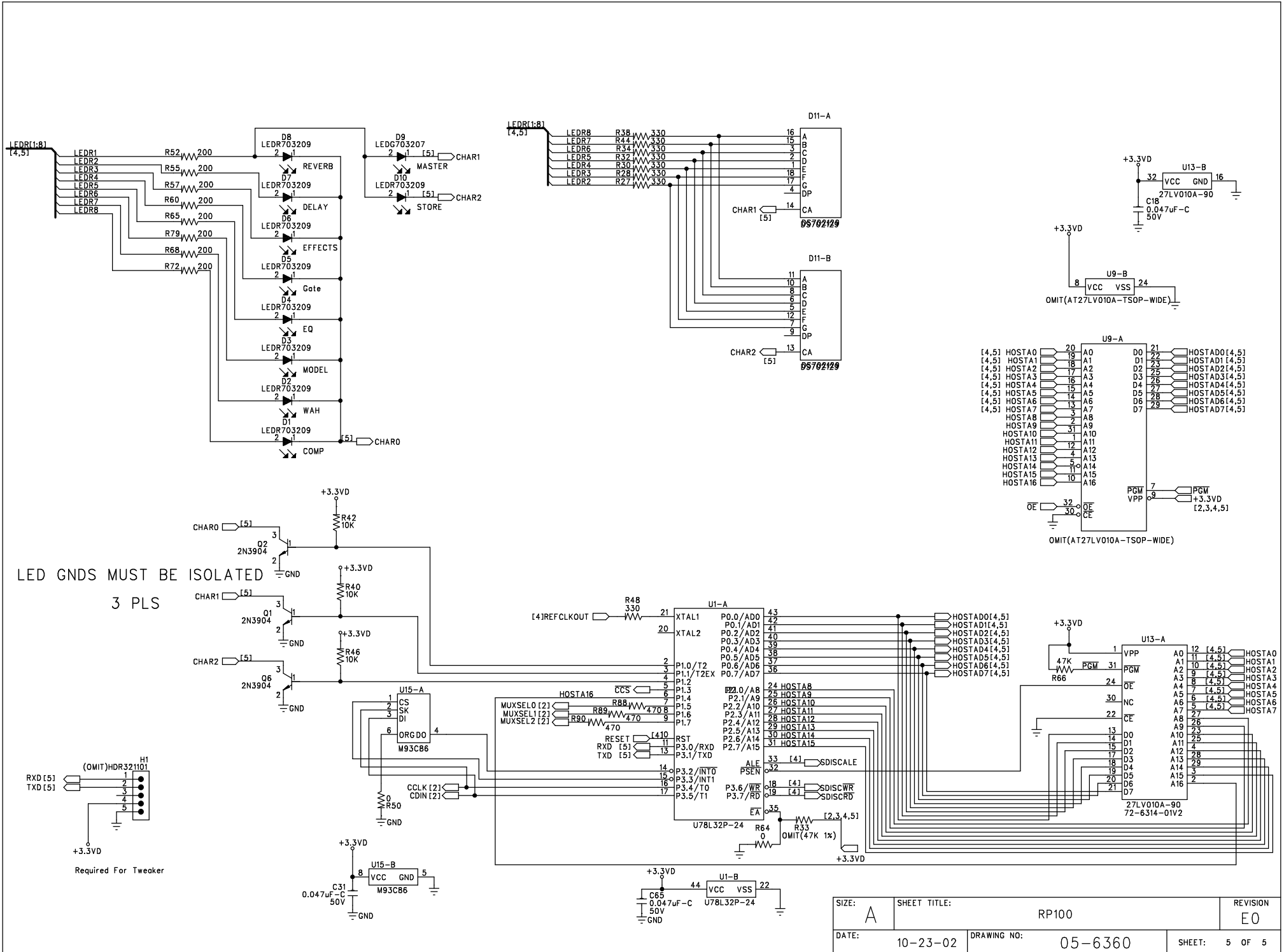


SIZE: A	SHEET TITLE: RP100	REVISION: E0
DATE: 10-23-02	DRAWING NO: 05-6360	SHEET: 3 OF 5





LED GNDS MUST BE ISOLATED
3 PLS

Required For Tweaker

SIZE: A	SHEET TITLE: RP100	REVISION: E0
DATE: 10-23-02	DRAWING NO: 05-6360	SHEET: 5 OF 5

Qty	Reference	HMG#	Description	Audit	Schematic Part	PCB Decal
1	PCB1	80-6360	PCB 80-6360 RP100	PT2044	80XXXXXX	BARCODE
1	BX1	25-6360	Battery Box, 6AA, RP100	JB	BATTBX-1	PCBNUL
4	C46 C48-49 C51	56-0000	CAP 0.001uF FILM PTR 100V 5% AF TA	PT1629	C0.001UF100JR	RFCC200
5	C15-17 C23 C57	56-0002	CAP 0.0022uF FILM PTR 100V 5% RF TA	PT1001	C0.0022UF100JR	RFCC200
23	C1 C5 C18 C27-29 C31-34 C36-38 C40 C42 C45 C50 C58 C60 C65-66 C68-69	62-3129	CAP 0.047uF CER 50V 20% Y5V 0805 TA	PT1202	C0.047UC50M0805	0805
1	C6	62-3136	CAP 1000pF CER 50V 20% X7R 0805 TA	PT1109	C1000PC50M0805	0805
3	C52 C67 C70	60-0064	CAP 1000uF EL 16V 20% GP 10x17R 5LL BK	PT1334	C1000UE16MR	REM200P
1	C22	60-0201	CAP 100uF EL 16V 20% GP 6x8R 5LS TA	PT1378	C100UE16MR	REG200P
2	C26 C39	62-3140	CAP 10pF CER 50V 5% COG 0805 TA	PT1088	C10PC50J0805	0805
1	C47	60-0049-01	CAP 10uF EL 16V 20% GP 5x7R 5LS TA	PT1080	C10UE16MR	RED200P
17	C2 C7-11 C30 C35 C41 C43 C53-56 C59 C61 C64	60-1071	CAP 10uF EL 16V 20% GP 4x5R 2.5LS TA	PT2197	C10UE16MR1	RED100P
1	C14	62-0163	CAP 10uF TANT 16V 20% RT TA	PT1385	C10UT16MR	RTF100P
2	C44 C62	62-3135	CAP 120pF CER 50V 5% NPO 0805 TA	PT1440	C120PC50J0805	0805
1	C63	OMIT	OMIT, CAP, 15pF, CER, 50V, 5%, 0805, T&R, (62-3128)	PT1522	C15PC50J0805O	0805
4	C19-21 C24	62-3138	CAP 220pF CER 50V 10% X7R 0805 TA	PT1286	C220PC50K0805	0805
5	C3-4 C12-13 C25	62-3132	CAP 47pF CER 50V 5% COG 0805 TA	PT1085	C47PC50J0805	0805
2	D19-20	70-0017	DIO 1N4005 600V 1A AMMO TA	PT1455	D1N4005-R	RDB200
7	D12-17 D21	70-0113	DIO MMBD4148SE DUAL 75V 600mA SOT-23 TA	PT1326	D1N4148SE-S	SOT-23
1	D22	OMIT	OMIT, DIO, MMBD4148SE, DUAL DIODE, 75V, 600mA, SOT-23, T&R, (70-0113)	PT1327	D1N4148SE-S-O	SOT-23
1	D11	70-2129	DIS RED DUAL 7-SEG DIP	PT2298	DS702129	DISPLAY18
1	D18	32-3187	Fuse 400mA Poly Switch Resettable	PT2800	F0.400A323187	FUSE2
5	F2 F4 F6-8	NON-PART	NON-PART, FIDUCIAL, TARGET FOR AUTO INSERTION	PT1271	FIDUCIAL	FIDUCIAL
1	H1	OMIT	OMIT, HDR, 5 PN, 0.079" SP, 1 X 5, 0.020" PS LK SD PO VT MA (32-1101)	PT1825	HDR321101-O	HC579LSPM
1	J3	32-0089	JACK POWER BARREL JACK 2.5MM	PT1918	J320089	J320089
1	J5	32-0094	CON JACK 1/8" PHONE INS HZ MT	PT2443	J320094	J320094
3	J1-2 J4	32-0118	CON, JACK, 1/4 PHONO, PLAIN NOSE THREAD, SLIMLINE	PT1792	J320118	J320118
1	LBL1	30-0121	LABEL BARCODE AUTOINSERTABLE RAW	PT2790	LABEL300121	LABEL300121
1	D9	70-3207	LED GREEN D1206 T&R	PT1902	LEDG703207	D1206
9	D1-8 D10	70-3209	LED RED D1206 T&R	PT1901	LEDR703209	D1206
3	L6 L18 L22	26-0217	IND FBD 2.5K OHM @ 70MHz 0805 TA	PT1261	LFB260217	0805
1	L1	26-0219	INDUCTOR, FERRITE BEAD, 600 OHM @ 100MHZ, 0805, T&R	PT1453	LFB260219	0805
4	MH3-4 MH7-8	NON-PART	NON-PART MOUNTING HOLE 0.156" NON-PLATED #6	PT2797	MH156	MH156
3	MH2 MH5-6	NON-PART	ELECTRICAL, 0.156" DIA, MOUNTING HOLE		MH156-E	MH156E
2	MH1 MH10	NON-PART	NON-PART TOOLING PIN HOLE 156MIL HOLE	PT2794	MH156-TOOL	MH156-TOOL
4	Q1-3 Q6	70-1058	XSTR, 2N3904, NPN, SOT-23, T&R	PT1203	Q2N3904-S	SOT-23
5	R41 R50 R64 R81 R87	50-1531	RES 0 5% 1/10W SM 0805 TA	PT1099	R0-C5-0805	0805
2	R45 R100	OMIT	OMIT RES 0 5% 1/10W SM 0805 TA (50-1531)	PT1006	R0-C5-0805O	0805
2	R76 R85	50-1500	RES 10 5% 1/10W SM 0805 TA	PT1309	R10-C5-0805	0805
12	R5 R21 R36 R39-40 R42 R46 R49 R53-54 R56 R80	50-1503	RES 10K 5% 1/10W SM 0805 TA	PT1095	R10KC5-0805	0805
1	R3	50-1526	RES 150K 5% 1/10W SM 0805 TA	PT1026	R150KC5-0805	0805
1	R51	50-1505	RES 1K 5% 1/10W SM 0805 TA	PT1010	R1KC5-0805	0805
1	R84	OMIT	OMIT RES 1K 5% 1/10W SM 0805 TA (50-1505)	PT1393	R1KC5-0805O	0805
3	R11 R13 R58	50-1506	RES 1M 5% 1/10W SM 0805 TA	PT1011	R1MC5-0805	0805
10	R52 R55 R57 R60 R65 R68 R72 R77-79	50-1510	RES 200 5% 1/10W SM 0805 TA	PT1013	R200-C5-0805	0805
12	R1-2 R9 R14 R16-17 R20 R24-25 R31 R43 R83	50-1507	RES 20K 5% 1/10W SM 0805 TA	PT1098	R20KC5-0805	0805
2	R70-71	50-1508	RES 2K 5% 1/10W SM 0805 TA	PT1278	R2KC5-0805	0805
8	R27-28 R30 R32 R34 R38 R44 R48	50-1517	RES 330 5% 1/10W SM 0805 TA	PT1020	R330-C5-0805	0805
1	R86	50-1519	RES 330K 5% 1/10W SM 0805 TA	PT1022	R330KC5-0805	0805
1	R75	50-1509	RES 4.7K 5% 1/10W SM 0805 TA	PT1012	R4.7KC5-0805	0805
7	R82 R88-90 R92 R94-95	50-1518	RES 470 5% 1/10W SM 0805 TA	PT1021	R470-C5-0805	0805
4	R29 R35 R73-74	50-1523	RES 470K 5% 1/10W SM 0805 TA	PT1025	R470KC5-0805	0805
1	R33	OMIT	OMIT RES 47K 1% 1/10W SM 0805 TA (52-3207)	PT2281	R47KC1-0805O	0805
6	R4 R10 R15 R18-19 R66	50-1502	RES 47K 5% 1/10W SM 0805 TA	PT1009	R47KC5-0805	0805
8	R22-23 R26 R37 R67 R69 R91 R93	50-1524	RES 51 5% 1/10W SM 0805 TA	PT1279	R51-C5-0805	0805

056360E0-PPS.txt

1	R59	50-1501	RES 62K 5% 1/10W SM 0805 TA	PT1276	R62KC5-0805	0805
1	R61	50-1521	RES 7.5K 5% 1/10W SM 0805 TA	PT1024	R7.5KC5-0805	0805
4	R6-8 R12	50-1520	RES 75K 5% 1/10W SM 0805 TA	PT1023	R75KC5-0805	0805
5	S1-3 S5-6	44-0077	SWITCH SPST TACT RADIAL	PT1612	SW440077	SW440077
1	U20	70-4014	V-REG, 7805, +5V, 1.5 AMP, TO-220	PT1591	U7805	TO220(IGO)-V
1	U9	OMIT	OMIT, IC, 128K X 8, OTP EPROM, 70ns, TSOP32WIDE	N	U128LV010-PW-O	TSOP32WIDE
1	U18	72-5526	IC DRAM CMOS 256K x 16 35ns SOJ40-400	PT1923	U256K16D35-J	SOJ40-400
1	U19	72-0085	IC 74HC4051 ANALOG MUX/DEMUX SO16	PT1927	U74HC4051-S	SO16
1	U1	72-6316	IC 78L32P-24 8 BIT MICROCONTROLLER 3.3V	PT2316	U78L32P-24	PLCC-44
1	U15	72-6315	IC M93C86 1K X 16 EEPROM	PT2668	U93C86-S	SO8
1	U10	70-4146	V-REG +3.3V Low Dropout 1 AMP TO-220	PT2261	UBA033T/FP	TO220(IGO)-H
1	U3	70-4145	V-REG +5V Low Dropout 1 AMP TO-220	PT2262	UBA50T/FP	TO220(IGO)-V
1	U5	72-6309	IC CS4221 20-BIT STEREO AUDIO CODEC 3-5V SSOP28	PT2003	UCS4221-SS	SSOP28
1	U4	72-1480	IC NJM4580 DUAL OP-AMP SO8	PT1374	UNJM4580-S	SO8
1	U13	72-6314-01V2	IC 27LV010 128KX8 90ns FLASH EPROM 1Meg <Enter Product Name>Vy	PT2330	UP726314	PLCC/R-32
1	U2	72-5433	SDISCIIII DSP ASIC 144pin QFP ATMEL SM	jb	USDISCIIII	QFP144-20X20
1	U6	72-1450	IC TL074 Op Amp Quad JFET Input SM TA	PT1049	UTL074-S	SO14
3	VR7-9	40-0081	POT 100K B 9mm ROT 300Deg 25mm D-SFT-V	PT2411	VR100K400081	VR9-25DV
1	X1	76-0202	XTAL 24.000MHz METAL CAN SURFACE MOUNT T&R	PT1928	Y24.000M760202	XTAL2-V