

PCB1
80-1396
LBI1
30-0121

D0	ADD +3.3V TO U6.30	32382	MTB	7-11-06
C0	PRODUCTION RELEASE	231B	MTB	11-15-02
B0	PRODUCTION RELEASE	2299	MTB	10-25-02
A3	PRE- RELEASE, CHANGED R4, R5 = 49.9K, R75, R76 = 332	2293	DWB	10-21-02
A2	PRE-PRODUCTION RELEASE	2276	MTB	10-16-02
A1	PRE-PRODUCTION RELEASE	2276	MTB	10-16-02
A0	PRE-PRODUCTION RELEASE	2255	MTB	10-7-02
P2	PROTOTYPE	N/A	MTB	10-2-02
P1	PROTOTYPE	N/A	MTB	9-16-02
P0	PROTOTYPE	N/A	MTB	8-21-02

REV	DESCRIPTION	ECN #	INIT	DATE
-----	-------------	-------	------	------

REVISION HISTORY

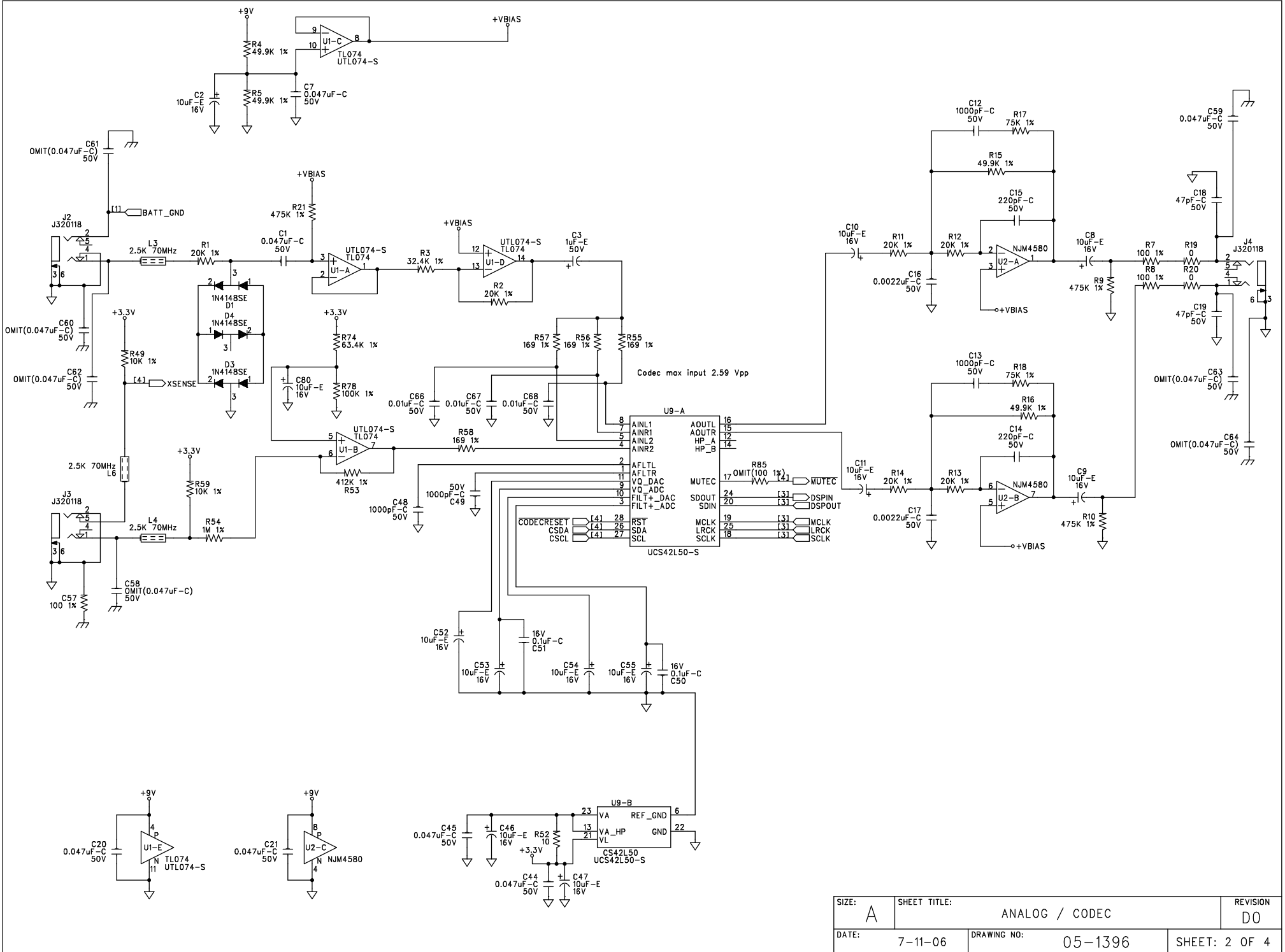
DIGITECH
8760 South Sandy Parkway Sandy Utah 84070

TITLE: DIGITECH RP50

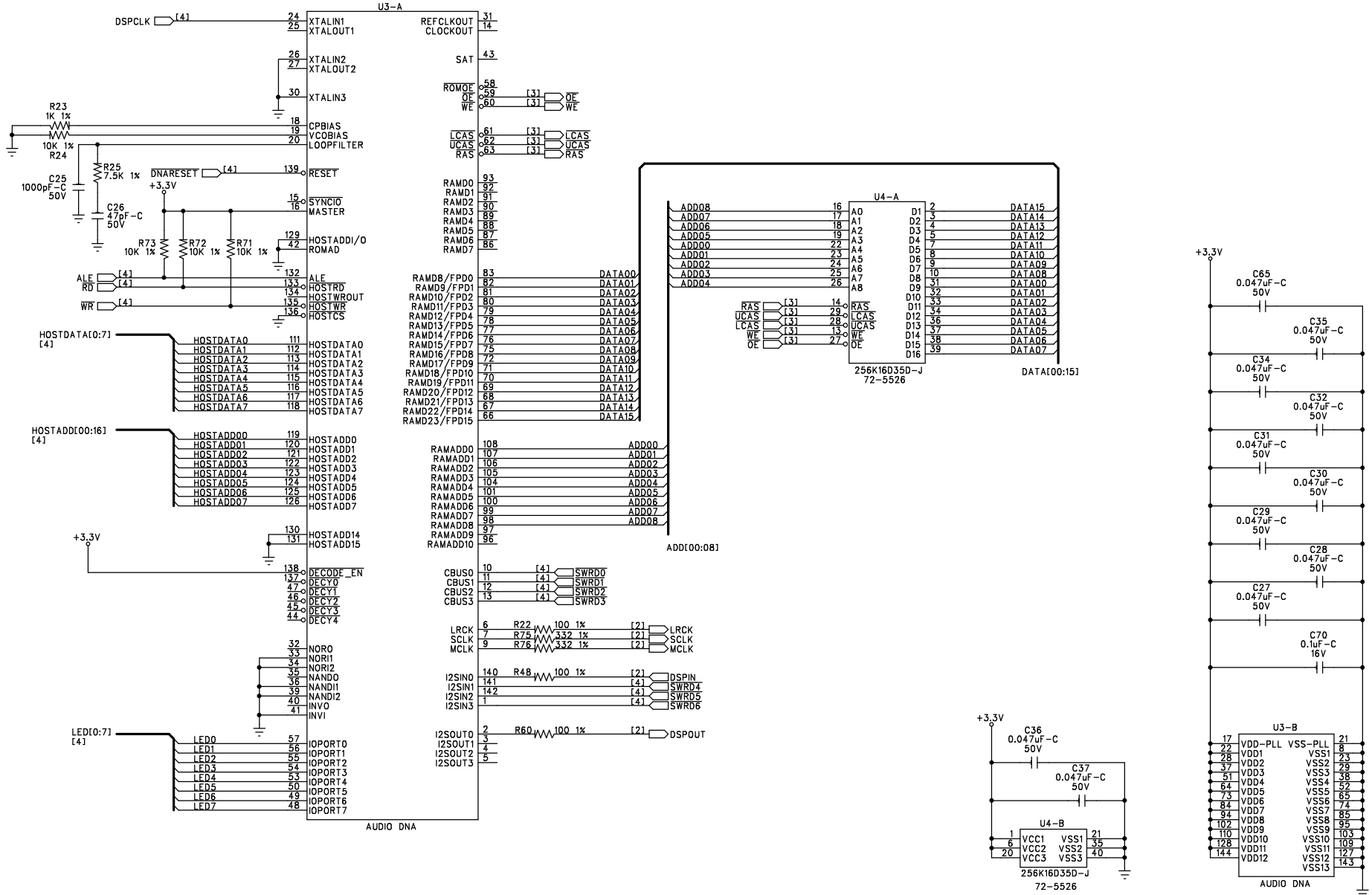
DESIGNER: MARTHA BYBEE ENGINEER: PAUL HOWARD

SIZE: A DRAWING NO: 05-1396 REVISION: D0

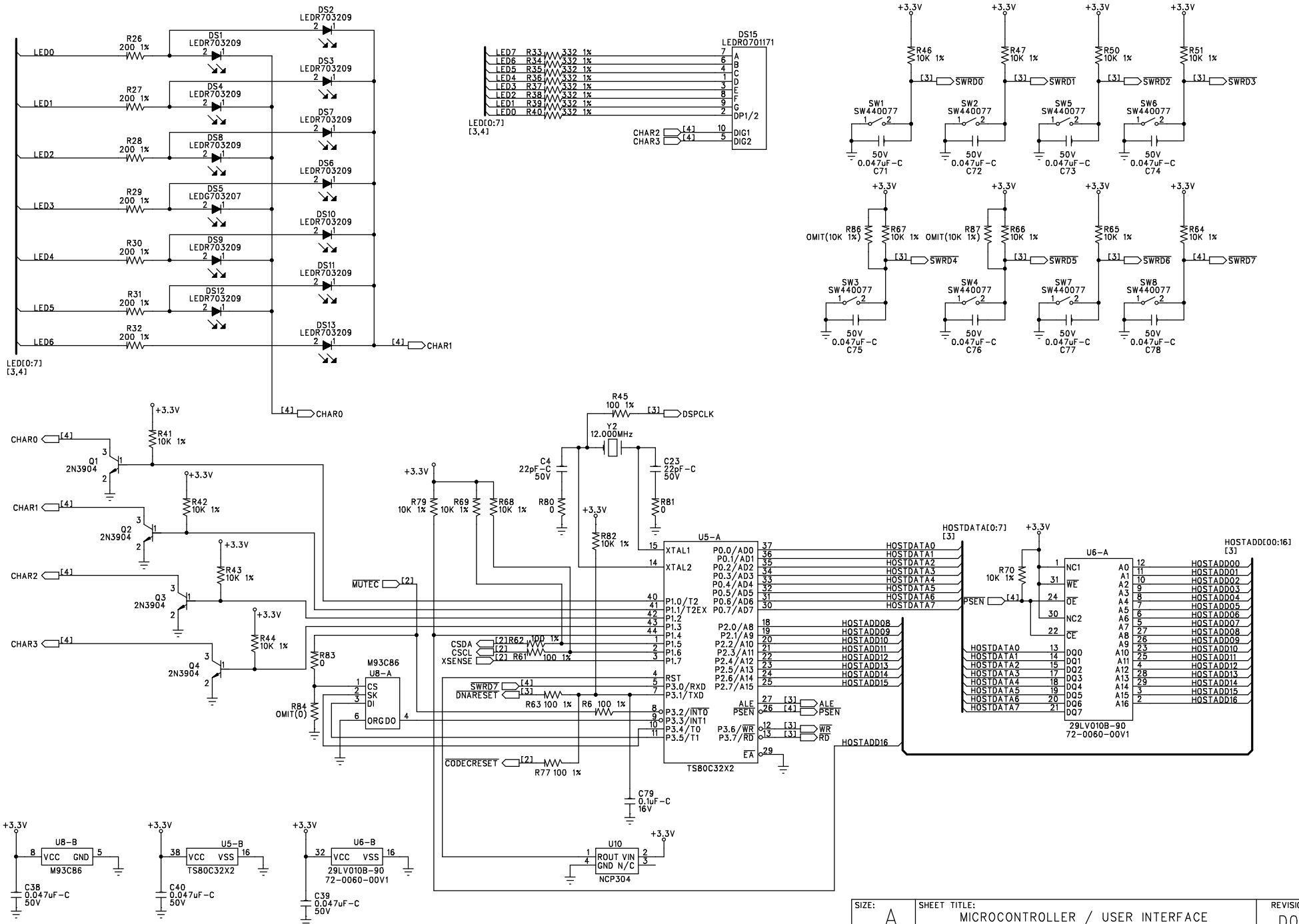
DATE: 7-11-06 FILENAME: 051396D0.SCH SHEET: 1 OF 4



SIZE: A	SHEET TITLE: ANALOG / CODEC	REVISION: D0
DATE: 7-11-06	DRAWING NO: 05-1396	SHEET: 2 OF 4



SIZE: A	SHEET TITLE: DNA / DRAM	REVISION: D0
DATE: 7-11-06	DRAWING NO: 05-1396	SHEET: 3 OF 4



SIZE: A	SHEET TITLE: MICROCONTROLLER / USER INTERFACE	REVISION: D0
DATE: 7-11-06	DRAWING NO: 05-1396	SHEET: 4 OF 4

Bill Of Materials for 051396D0.sch on Tue Jul 11 17:02:00 2006

Qty	Reference	HMG#	Description	Audit	Schematic Part	PCB Decal
1	PCB1	80-1396	PCB 80-1396 RP50	PT2044	80XXXXXX	BARCODE
2	C16-17	62-0101	CAP 0.0022uF CER 50V 10% X7R 0603 TA	PT2861	C0.0022UC50K0603	0603
3	C66-68	62-1311	CAP 0.01uF CER 50V 20% Y5V 0603 TA	PT2665	C0.01UC50M0603	0603
34	C1 C6-7 C20-21 C27-32 C34-45 C59 C65 C69 C71-78	62-1309	CAP 0.047uF CER 50V 20% Y5V 0603 TA	PT2650	C0.047UC50M0603	0603
8	C24 C56 C58 C60-64	OMIT	OMIT CAP 0.047uF CER 50V 20% Y5V 0603 TA (62-1309)	PT2783	C0.047UC50M06030	0603
4	C50-51 C70 C79	62-1310	CAP 0.1uF CER 16V 20% Y5V 0603 TA	PT2696	C0.1UC16M0603	0603
5	C12-13 C25 C48-49	62-1308	CAP 1000pF CER 50V 20% Y5V 0603 TA	PT2651	C1000PC50M0603	0603
12	C2 C8-11 C46-47 C52-55 C80	60-1071	CAP 10uF EL 16V 20% GP 4x5R 2.5LS TA	PT2197	C10UE16MR1	RED100P
1	C3	60-1076	CAP 1uF EL 50V 20% GP 4x5R 2.5LS TA	PT2445	C1UE50MR1	RED100P
2	C14-15	62-1305	CAP 220pF CER 50V 10% X7R 0603 TA	PT2654	C220PC50K0603	0603
2	C4 C23	62-1301	CAP 22pF CER 50V 5% NPO 0603 TA	PT2658	C22PC50J0603	0603
1	C5	60-0010	CAP 22uF EL 35V 20% GP 5x11R 5LS TA	PT2110	C22UE35MR	REE200P
2	C22 C33	60-0000	CAP 330uF EL 16V 20% GP 8x11R 5LS TA	PT2862	C330UE16MR2	REJ200P
3	C18-19 C26	62-1302	CAP 47pF CER 50V 5% NPO 0603 TA	PT2657	C47PC50J0603	0603
3	D1 D3-4	70-0113	DIO MMBD4148SE DUAL 75V 600mA SOT-23 TA	PT1326	D1N4148SE-S	SOT-23
1	D7	70-3203	DIO SIG RECT 400V 1.0A SMA TA	PT2081	DS1G-S	DO-214AC/SMA
1	DS15	70-0071	DIS RED-ORANGE DUAL 7-SEG 0.4"	PT2847	DSR0700071	DS7SEG2-1
1	D2	70-0147	DIO SCHOTTKY 1A SS14 DO-214AC/SMA	PT1877	DSS14S	DO-214AC/SMA
1	F1	32-0181	FUSE 500mA POLY SWITCH RESETABLE	PT2840	F0.500A320181	FUSE6
5	A1-5	NON-PART	NON-PART, FIDUCIAL, TARGET FOR AUTO INSERTION	PT1271	FIDUCIAL	FIDUCIAL
1	J1	32-0101	CON JACK BARREL DC 2.0 X 5.5 X 10mm	PT1849	J320101	J320101
3	J2-4	32-0118	CON, JACK, 1/4 PHONO, PLAIN NOSE THREAD, SLIMLINE	PT1792	J320118	J320118
1	LBL1	30-0121	LABEL BARCODE AUTOINSERTABLE RAW	PT2790	LABEL300121	LABEL300121
1	DS5	70-3207	LED GREEN D1206 T&R	PT1902	LEDG703207	D1206
12	DS1-4 DS6-13	70-3209	LED RED D1206 T&R	PT1901	LEDR703209	D1206
1	L5	26-0000	IND FBD 600 OHM @ 100Hz 200mA 0603 TA	PT2728	LFB260000	0603
3	L3-4 L6	26-0217	IND FBD 2.5K OHM @ 70MHz 0805 TA	PT1261	LFB260217	0805
1	L9	26-0003	IND 220uH +/-20% .29 AMP SMD	PT2770	LI260003	SLF7032
1	GND1	NON-PART	NON-PART MECCA GND/PWR TIE POINT 2 POS	PT2480	MECCA2	MECCA2
2	MH1-2	NON-PART	NON-PART TOOLING PIN HOLE 156MIL HOLE	PT2794	MH156-TOOL	MH156-TOOL
3	MH3-5	NON-PART	NON-PART, MECHANICAL PLATED HOLE, 175 PAD, 130 HOLE, #4	PT1970	MPI175H130	MPI175H130
4	Q1-4	70-1058	XSTR, 2N3904, NPN, SOT-23, T&R	PT1203	Q2N3904-S	SOT-23
5	R19-20 R80-81 R83	50-1300	RES 0 5% 1/16W SM 0603 TA	PT2508	R0-B5-0603	0603
1	R84	OMIT	OMIT RES 0 5% 1/16W SM 0603 TA (50-1300)	PT2509	R0-B5-06030	0603
12	C57 R6-8 R22 R45 R48 R60-63 R77	52-1304	RES 100 1% 1/16W SM 0603 TA	PT2512	R100-B1-0603	0603
1	R85	OMIT	OMIT RES 100 1% 1/16W SM 0603 TA(52-1304)	PT2680	R100-B1-06030	0603
1	R78	52-1360	RES 100K 1% 1/16W SM 0603 TA	PT2613	R100KB1-0603	0603
1	R52	50-1301	RES 10 5% 1/16W SM 0603 TA	PT2516	R10-B5-0603	0603
23	R24 R41-44 R46-47 R49-51 R59 R64-73 R79 R82	52-1338	RES 10K 1% 1/16W SM 0603 TA	PT2584	R10KB1-0603	0603
2	R86-87	OMIT	OMIT RES 10K 1% 1/16W SM 0603 TA (52-1338)	PT2628	R10KB1-06030	0603
4	R55-58	52-1305	RES 169 1% 1/16W SM 0603 TA	PT2513	R169-B1-0603	0603
1	R23	52-1313	RES 1K 1% 1/16W SM 0603 TA	PT2550	R1KB1-0603	0603
1	R54	52-1372	RES 1M 1% 1/16W SM 0603 TA	PT2625	R1MB1-0603	0603
7	R26-32	52-1306	RES 200 1% 1/16W SM 0603 TA	PT2514	R200-B1-0603	0603
6	R1-2 R11-14	52-1346	RES 20K 1% 1/16W SM 0603 TA	PT2598	R20KB1-0603	0603
1	R3	52-1353	RES 32.4K 1% 1/16W SM 0603 TA	PT2605	R32.4KB1-0603	0603
10	R33-40 R75-76	52-1307	RES 332 1% 1/16W SM 0603 TA	PT2543	R332-B1-0603	0603
1	R53	52-1367	RES 412K 1% 1/16W SM 0603 TA	PT2620	R412KB1-0603	0603
3	R9-10 R21	52-1368	RES 475K 1% 1/16W SM 0603 TA	PT2621	R475KB1-0603	0603
4	R4-5 R15-16	52-1356	RES 49.9K 1% 1/16W SM 0603 TA	PT2609	R49.9KB1-0603	0603
1	R74	52-1358	RES 63.4K 1% 1/16W SM 0603 TA	PT2611	R63.4KB1-0603	0603
1	R25	52-1335	RES 7.5K 1% 1/16W SM 0603 TA	PT2581	R7.5KB1-0603	0603
2	R17-18	52-1359	RES 75K 1% 1/16W SM 0603 TA	PT2612	R75KB1-0603	0603

8	SW1-8	44-0077	SWITCH SPST TACT RADIAL	PT1612	SW440077	SW440077
1	U4	72-5526	IC DRAM CMOS 256K x 16 35ns SOJ40-400	PT1923	U256K16D35-J	SOJ40-400
1	U5	72-0064	IC TS80C32X2 8 BIT MICROCONTROLLER 3.3V	PT2845	U80C32X2	QFP44-10X10
1	U8	72-6315	IC M93C86 1K X 16 EEPROM	PT2668	U93C86-S	SO8
1	U3	72-5433	IC AUDIO DNA ATMEL QFP-144	PT2374	UAUDIODNA	QFP144-20X20
1	U9	72-0065	IC CS42L50 24BIT STEREO CODEC	PT2846	UCS42L50-S	UCS42L50-S
1	U7	70-0064	V-REG LM2574S-ADJ SWITCHING REG 1A SO14W	PT2769	ULM2574-S	SO14W
1	U10	72-6308	IC NCP304 VOLTAGE DETECTOR SC-82AB	PT2393	UNCP304	SC-82AB
1	U2	72-1480	IC NJM4580 DUAL OP-AMP SO8	PT1374	UNJM4580-S	SO8
1	U6	72-0060-00V1	IC AM29LV010B 128KX8 90nS FLASH EPROM 1Meg RP50 V1	PT2848	UP720060	PLCC/R-32
1	U1	72-1450	IC TL074 Op Amp Quad JFET Input SM TA	PT1049	UTL074-S	SO14
1	Y2	76-0201	XTAL, 12.000MHz, METAL CAN, SURFACE MOUNT, T&R	PT1538	Y12.000M760201	XTAL2-V