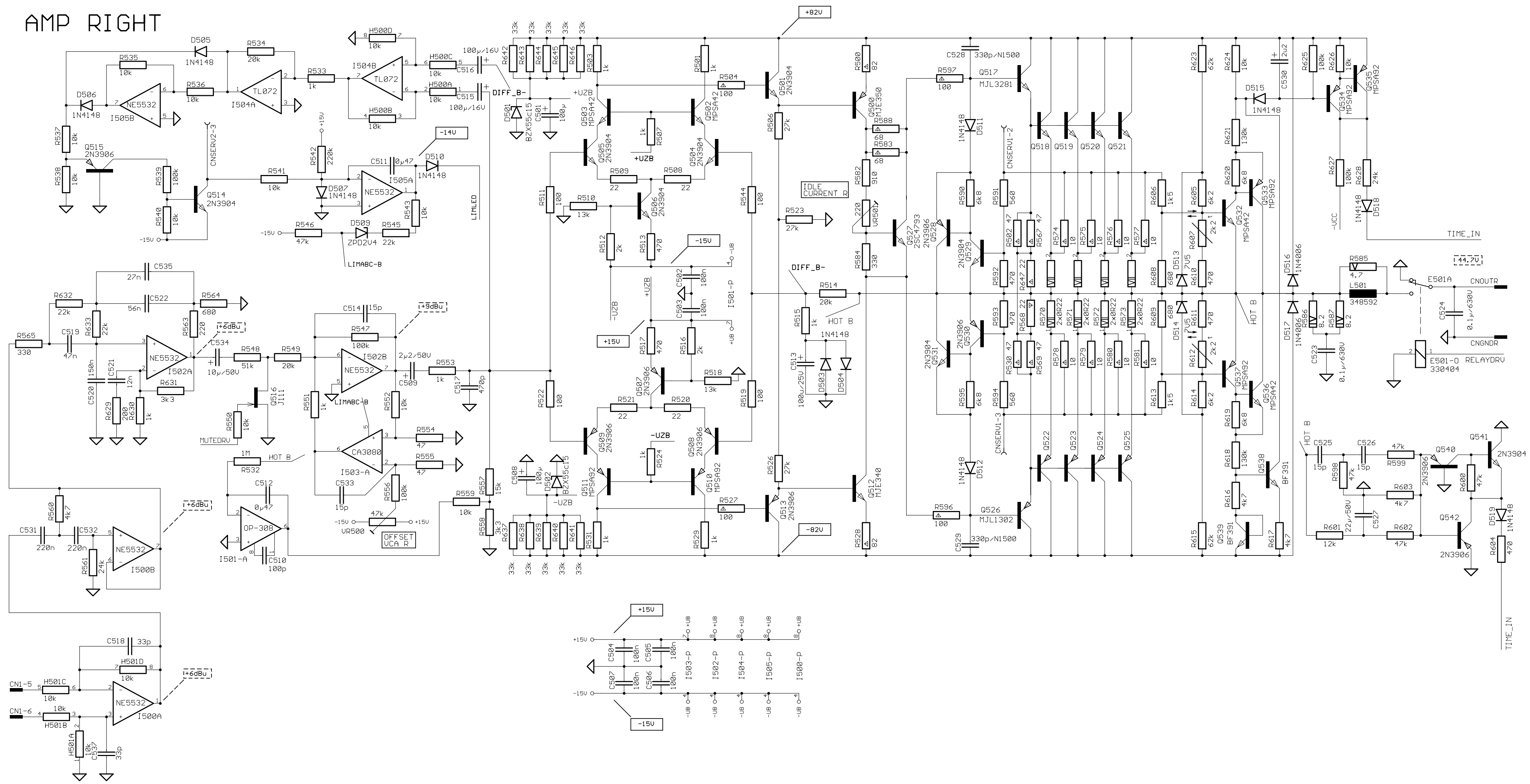
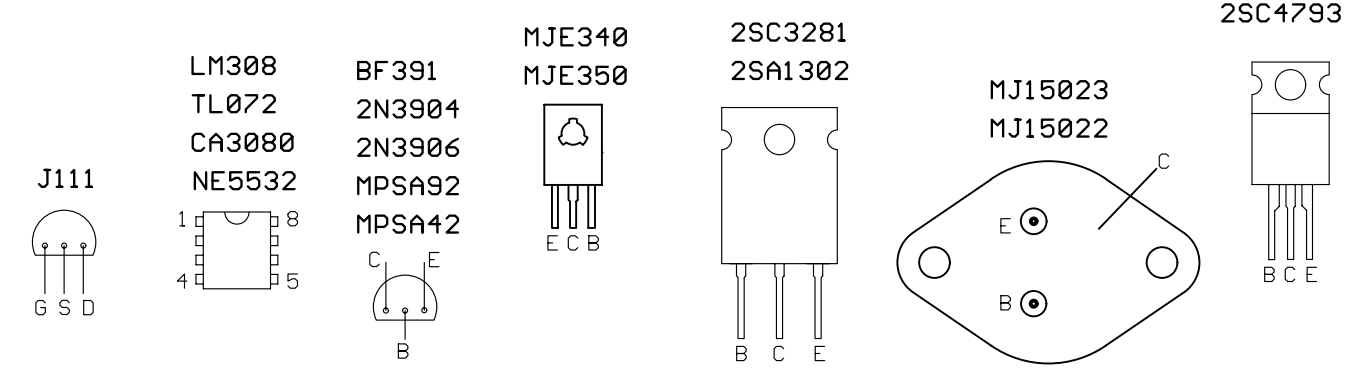


AMP RIGHT



- POWER RESISTOR 5 WATT
- POWER RESISTOR 4 WATT
- DC VOLTAGE MEASURED WITH VOLTMETER 100kOHM/V
- AC VOLTAGE 1000 HZ, MEASURED WITH UTVM
- SAFETY COMPONENT, FLAMEPROOF RESISTOR (MUST BE REPLACED BY ORIGINAL PART)



ALTERATIONS RESERVED!

K	157/99	13.12	Lang	13.12.1999	10:48:34
I	145/99	24.11	Lang	03.07.2000	10:22:10
H	85/99	13.07	Lang		
G	18/99	02.98	csc	DATE	NAME
F	6/99	22.01	Stangl	DSG'D	Taffner
E	72/97	11.97	Lang	CHK'D	
D	62/97	10.97	Taffner	APP'D	
C	57/97	09.97	Lang		
B	47/97	09.97	Lang		
A	NULLSERIE	09.97	Lang		
ISSUE	REVISION	DATE	NAME		

84169H
Power Amplifier Right

CIRCUIT DIAGRAM 2/3

354 011
PM1000/1600/PSX1000/1600

EVI AUDIO