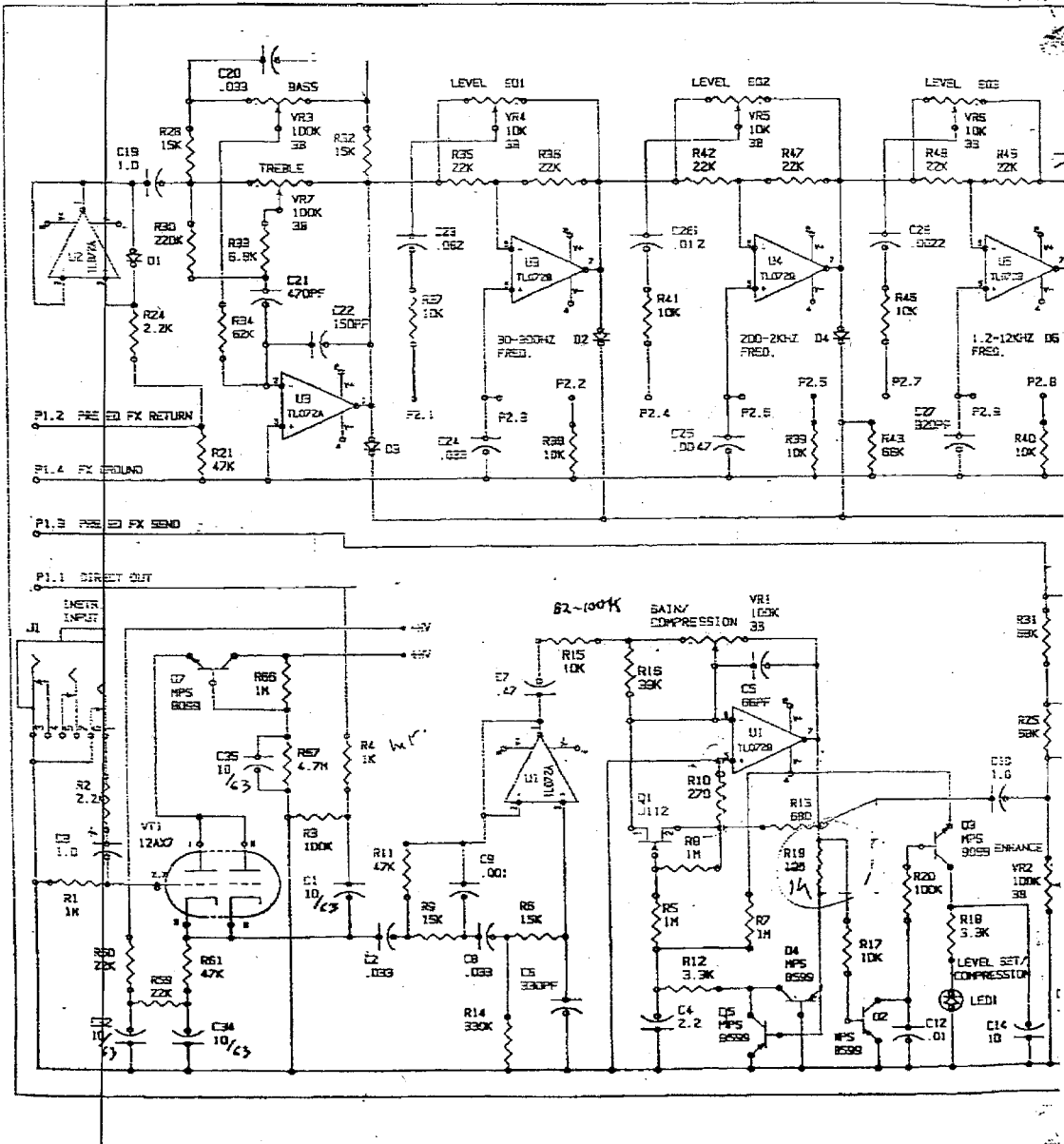
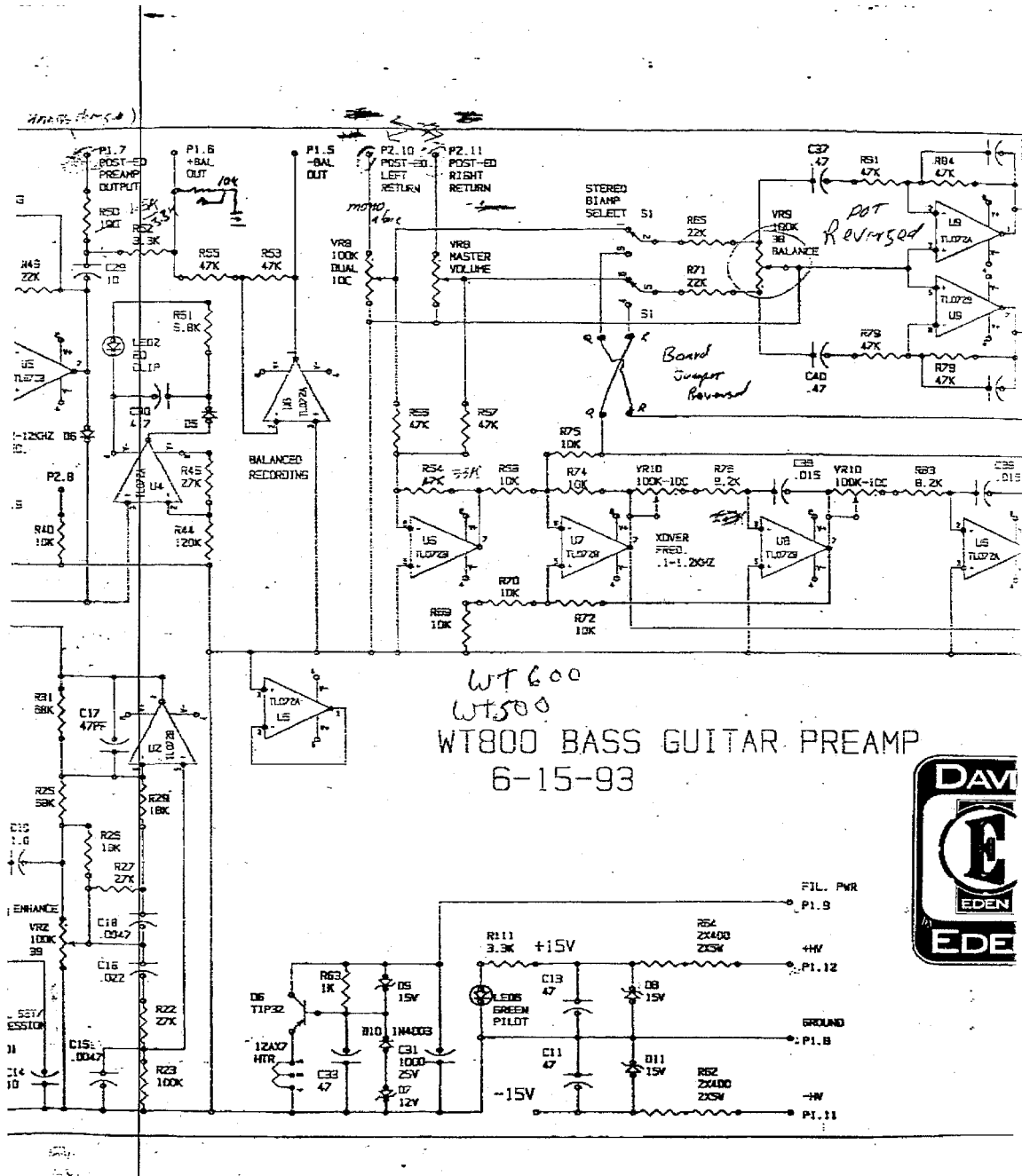
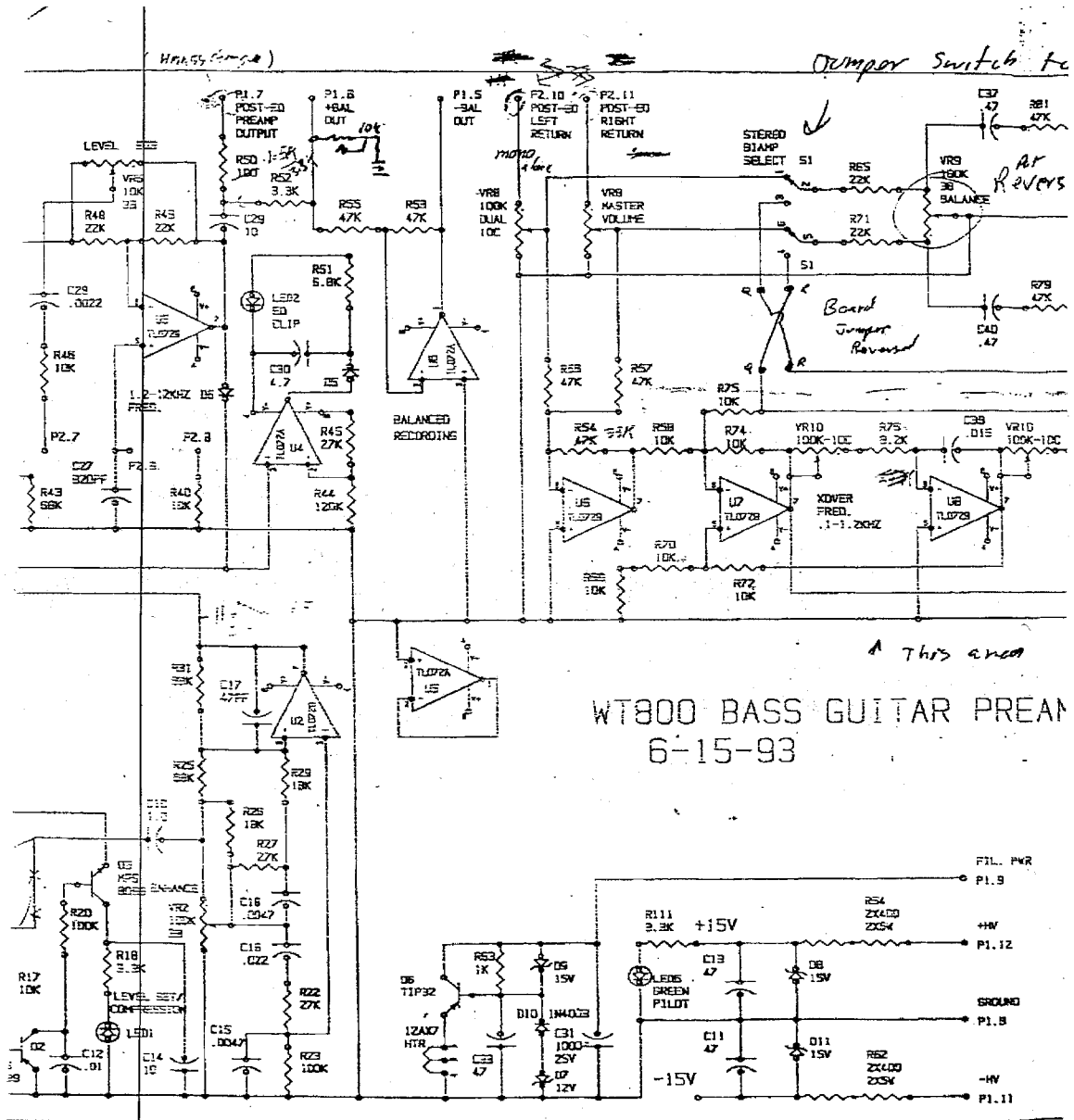


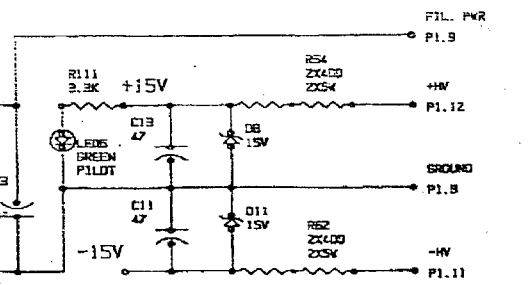
EJen Electronic  
WT 800/500/600





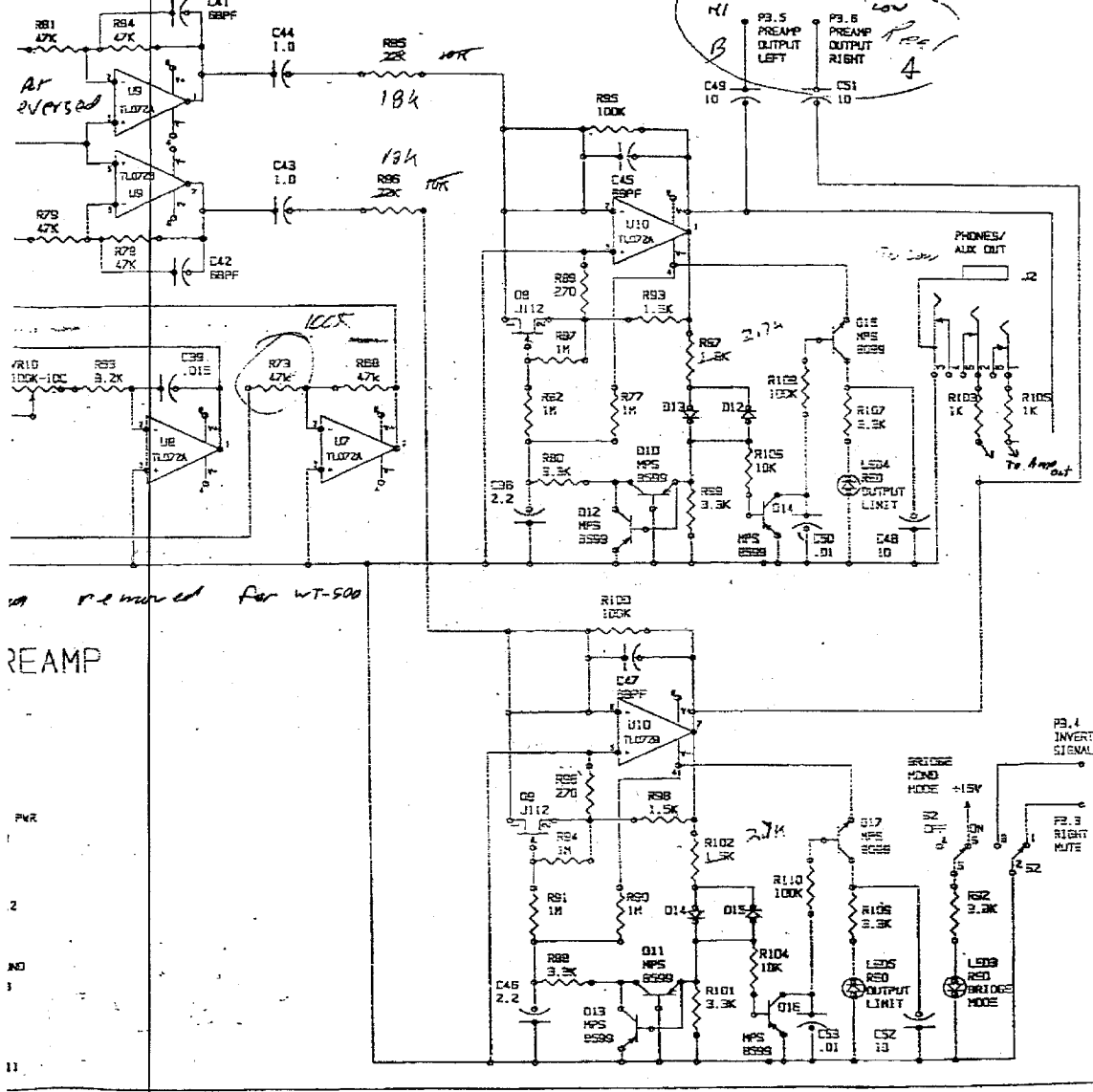


WT800 BASS GUITAR PREAMP  
6-15-93



EJen Electronics

to normal position



removed for WT-500

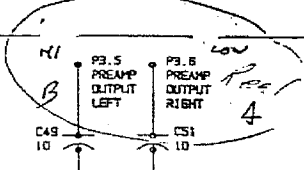
PREAMP

PWR

2

NO

11



PHONES/AUX OUT

LED4 RED OUTPUT LIMIT

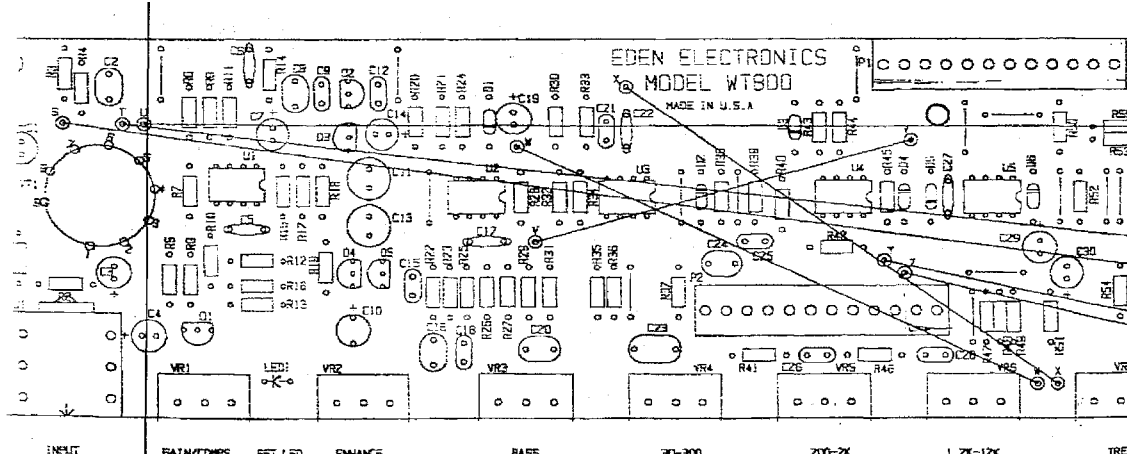
P3.4 INVERT SIGNAL

P3.3 RIGHT MUTE

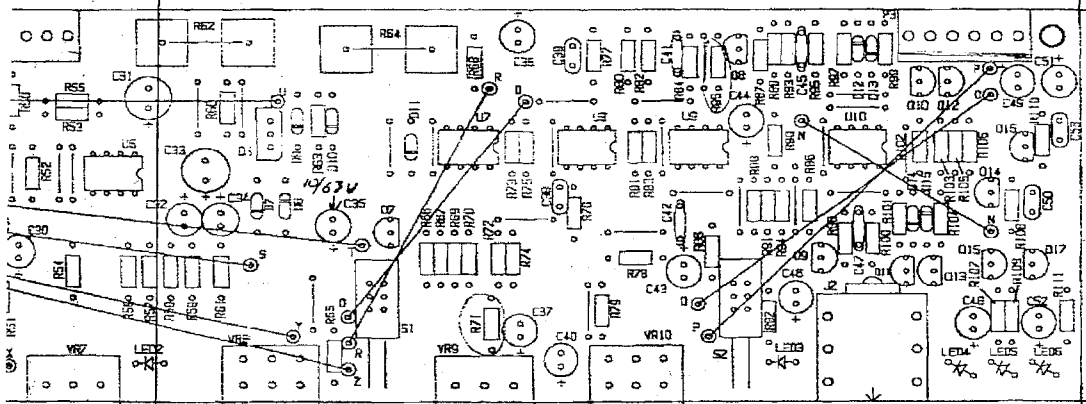
LED5 RED BRIDGE MODE

LED6 RED OUTPUT LIMIT

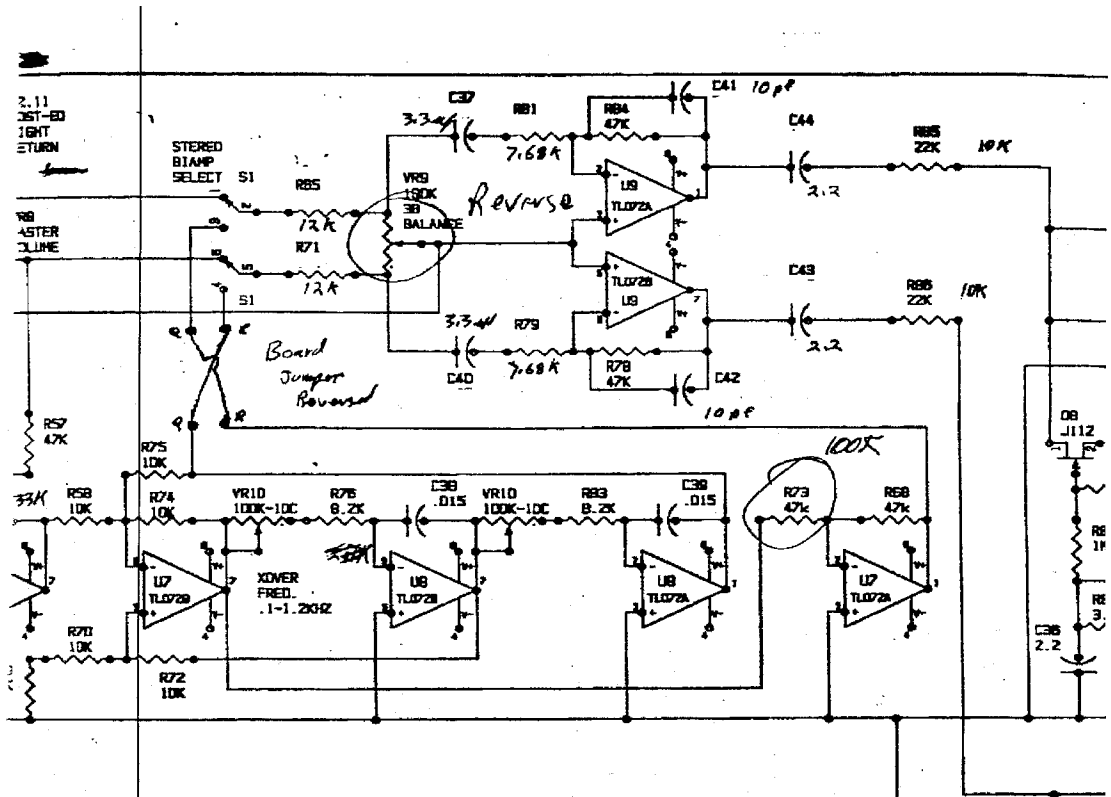
LED7 RED BRIDGE MODE



NOTES: EDEN ELECTRONICS MODEL WT800 6-20-93  
 MATERIAL = GLASS EPOXY G10 FR4 .062 THICK  
 PCB SIZE = 15.60 X 3.00 INCHES  
 USE 2 OZ COPPER TINNED  
 SILK SCREEN LOCATIONS IN WHITE  
 APPLY SOLDER MASK IN GREEN

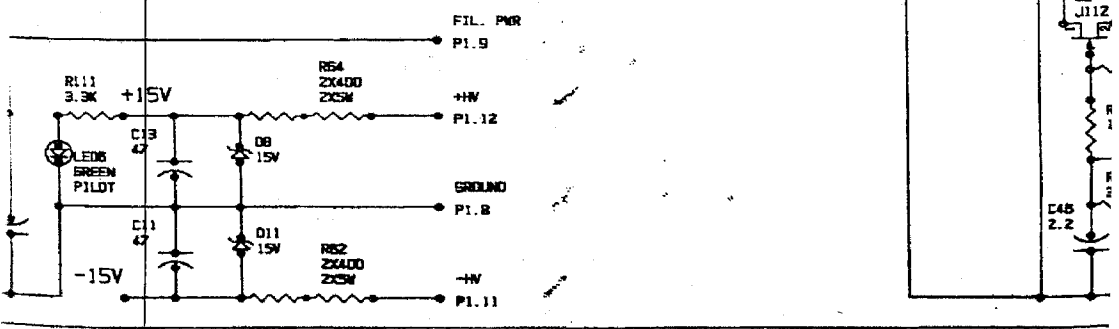


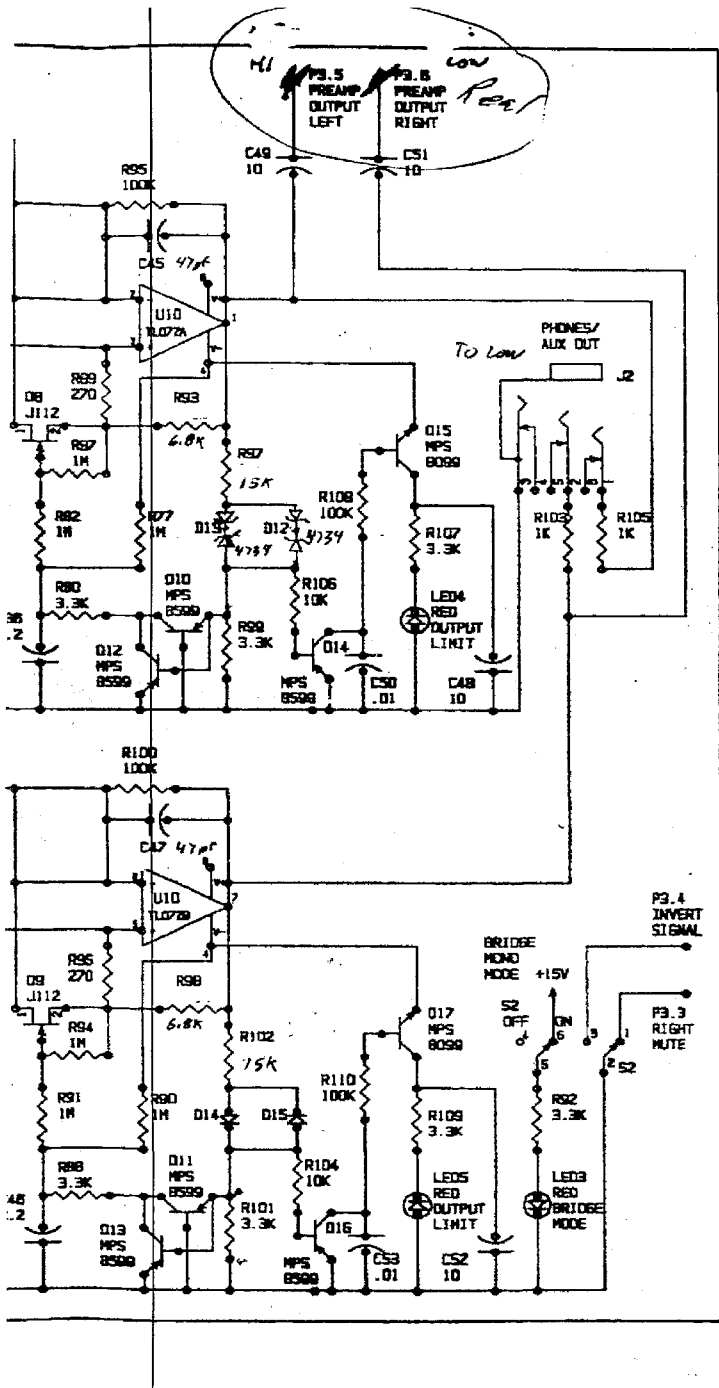
TREBLE EQ CLIP    MASTER    STAMP MODE    BALANCE    CROSSOVER    SOURCE MODE    PHONES/AUX    LIMIT A    LIMIT B PILOT



VT800 BASS GUITAR PREAMP  
6-15-93

*Eden Electronics*





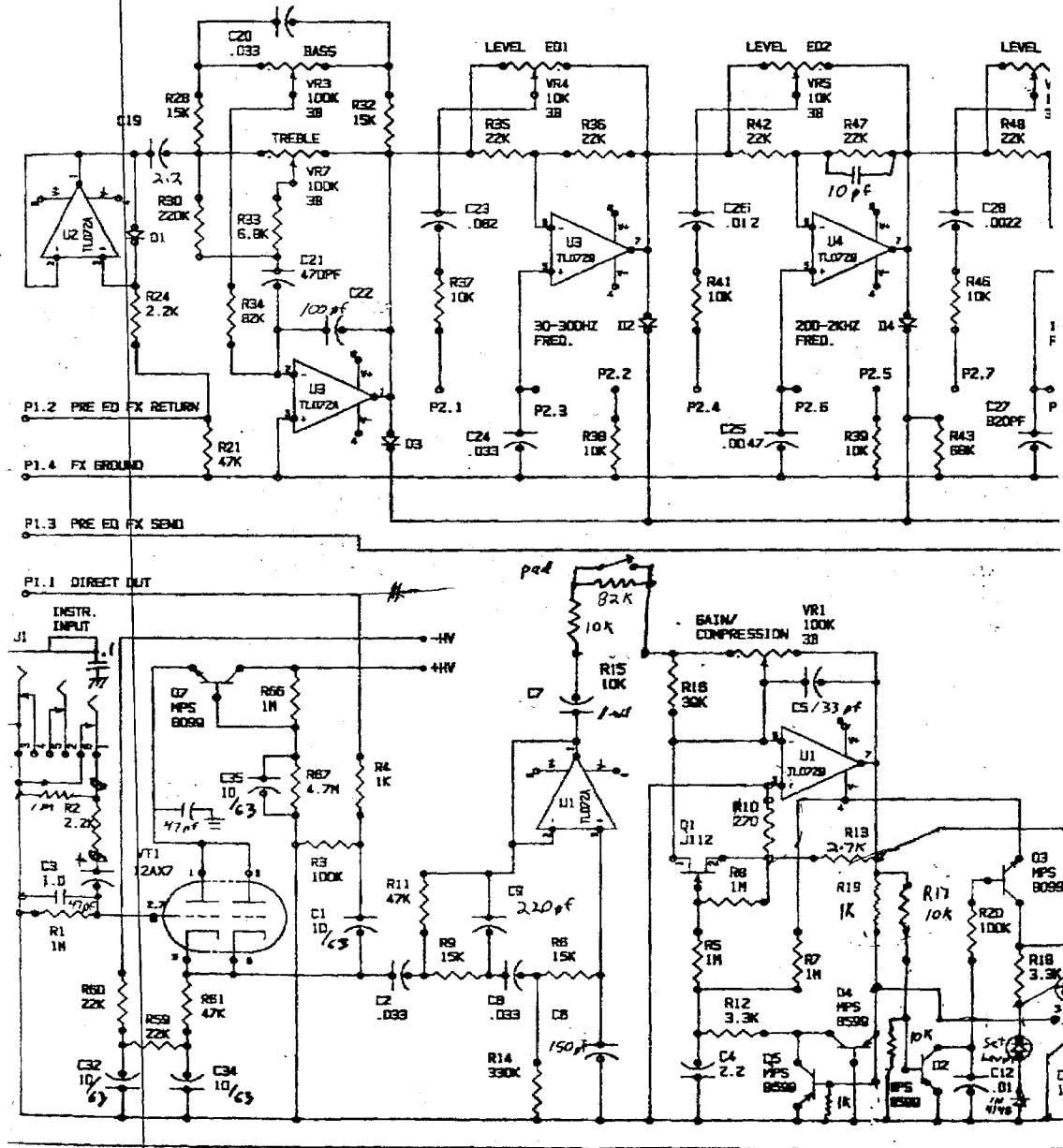
P3.5 PREAMP OUTPUT LEFT  
 P3.6 PREAMP OUTPUT RIGHT  
 low Res

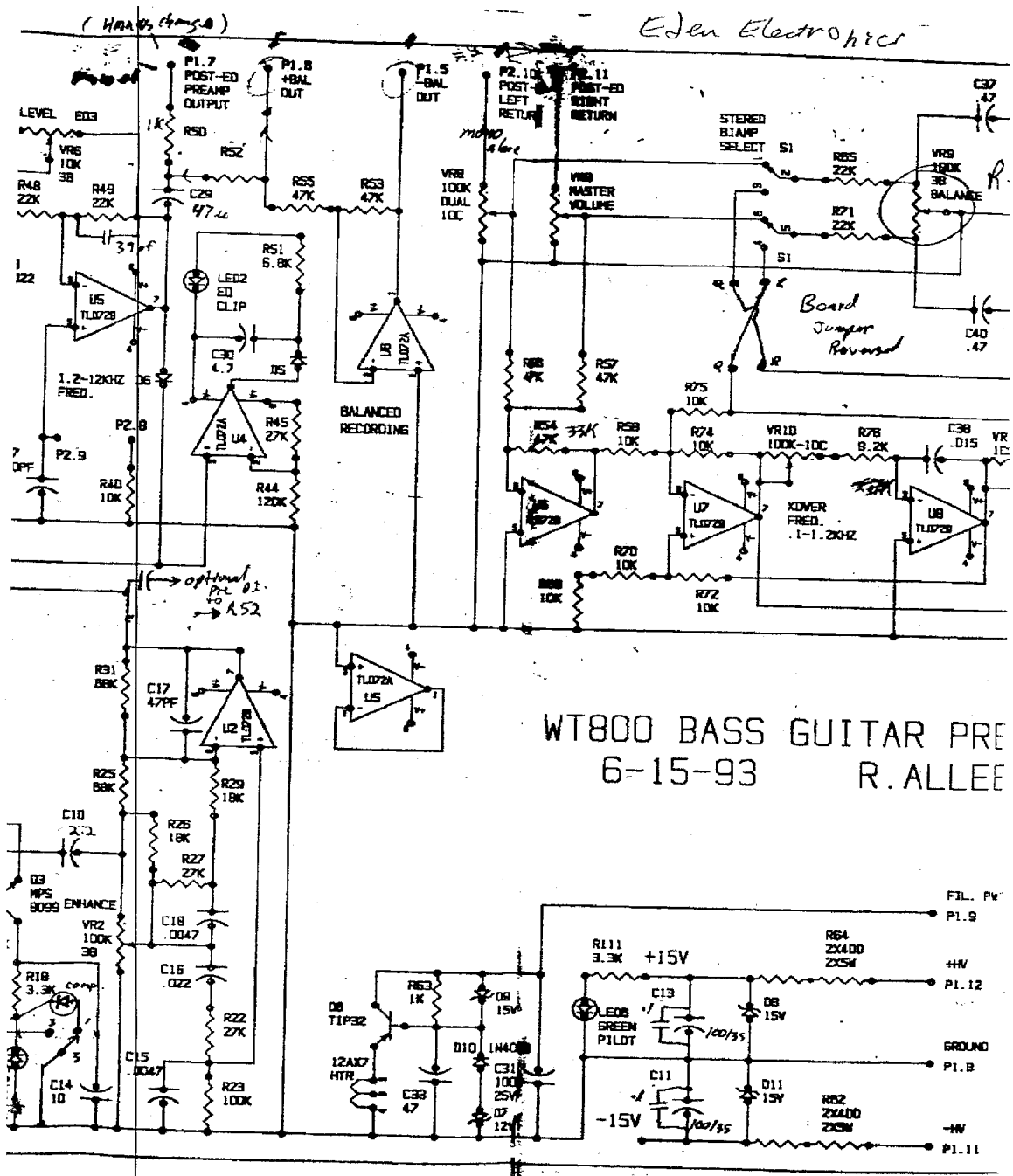
Eden Electronics

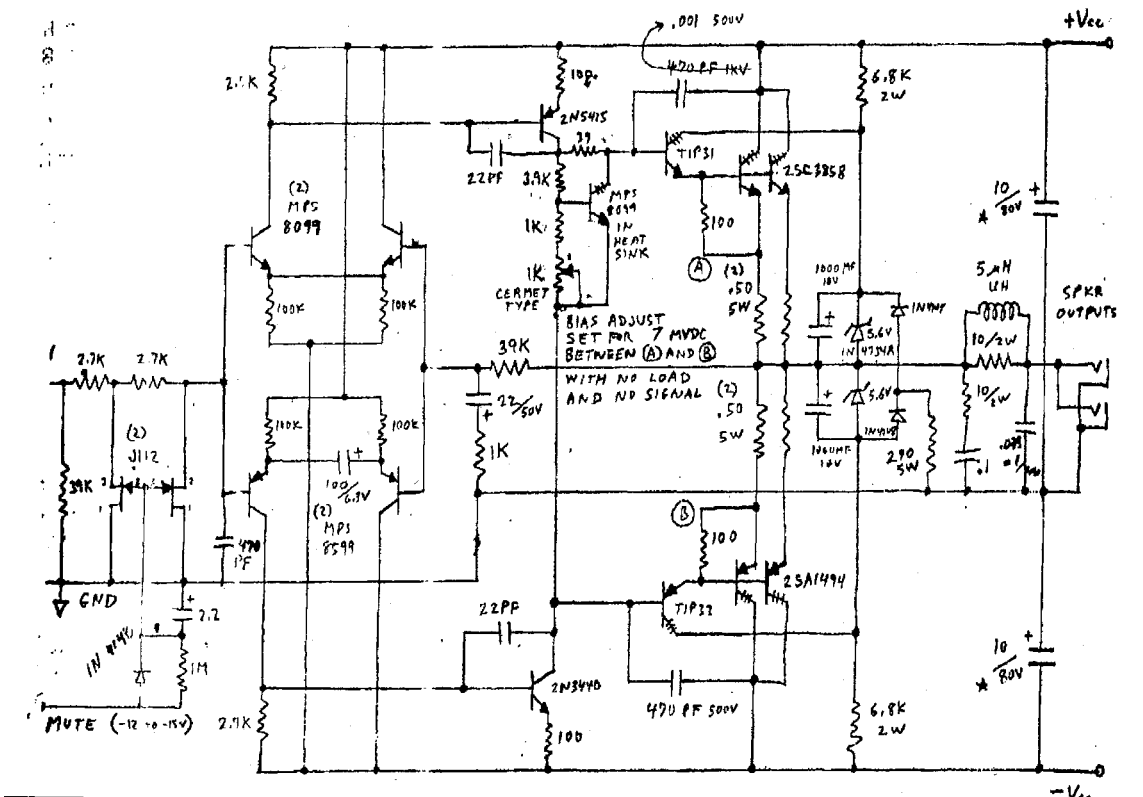
Amp Mod  
 2.7k replace 1/5.  
 near heater  
 add 1.2k to 6.  
 of Board



Eden Electronics







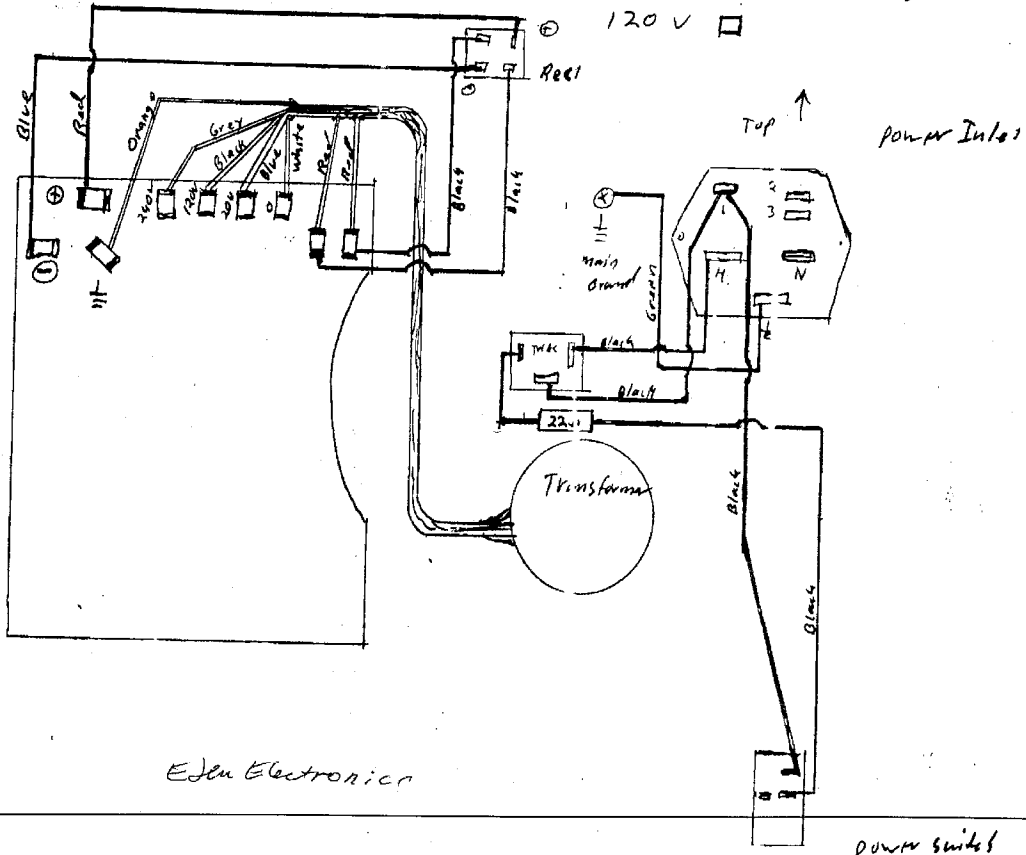
GAIN = X 40

EDEN POWER AMPLIFIER PM-400

Eden Electronics

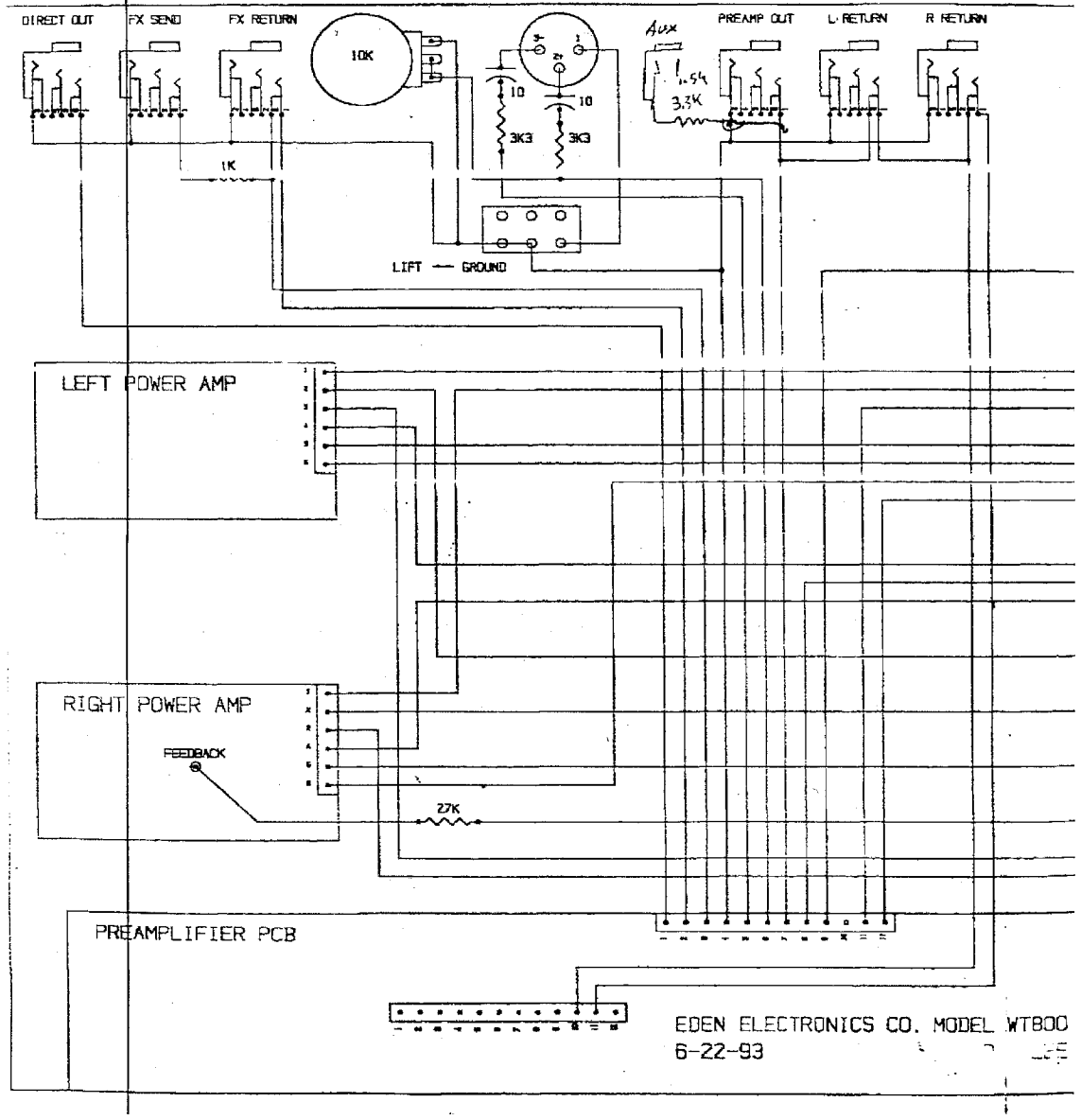
Wiring pictorial WI-800

100 V  240 V   
 120 V

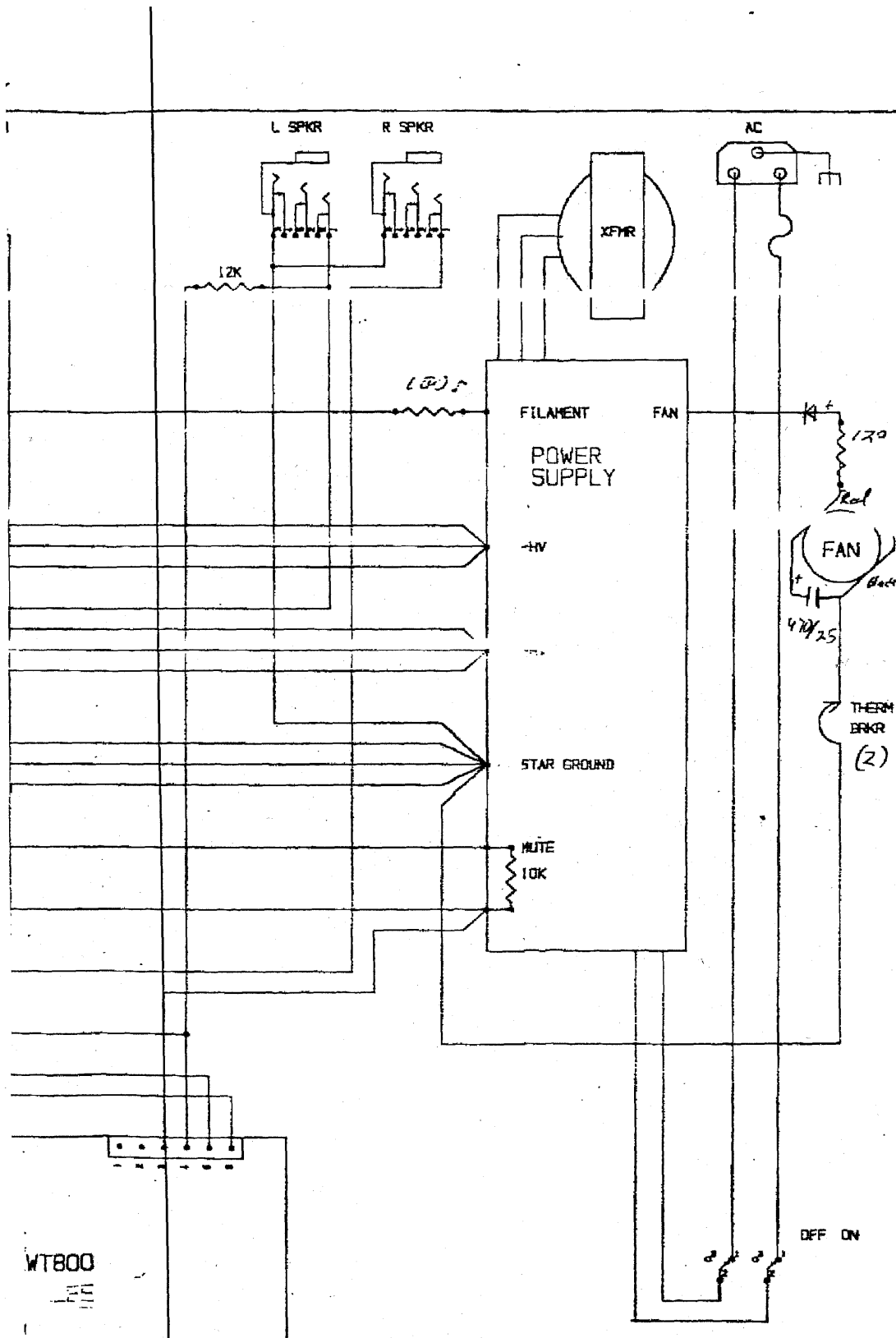


EJlu Electronics

NEW P.C. Board  
DIY on MONO only



EDEN ELECTRONICS CO. MODEL WT800  
6-22-93



WT800

Elen Electronics