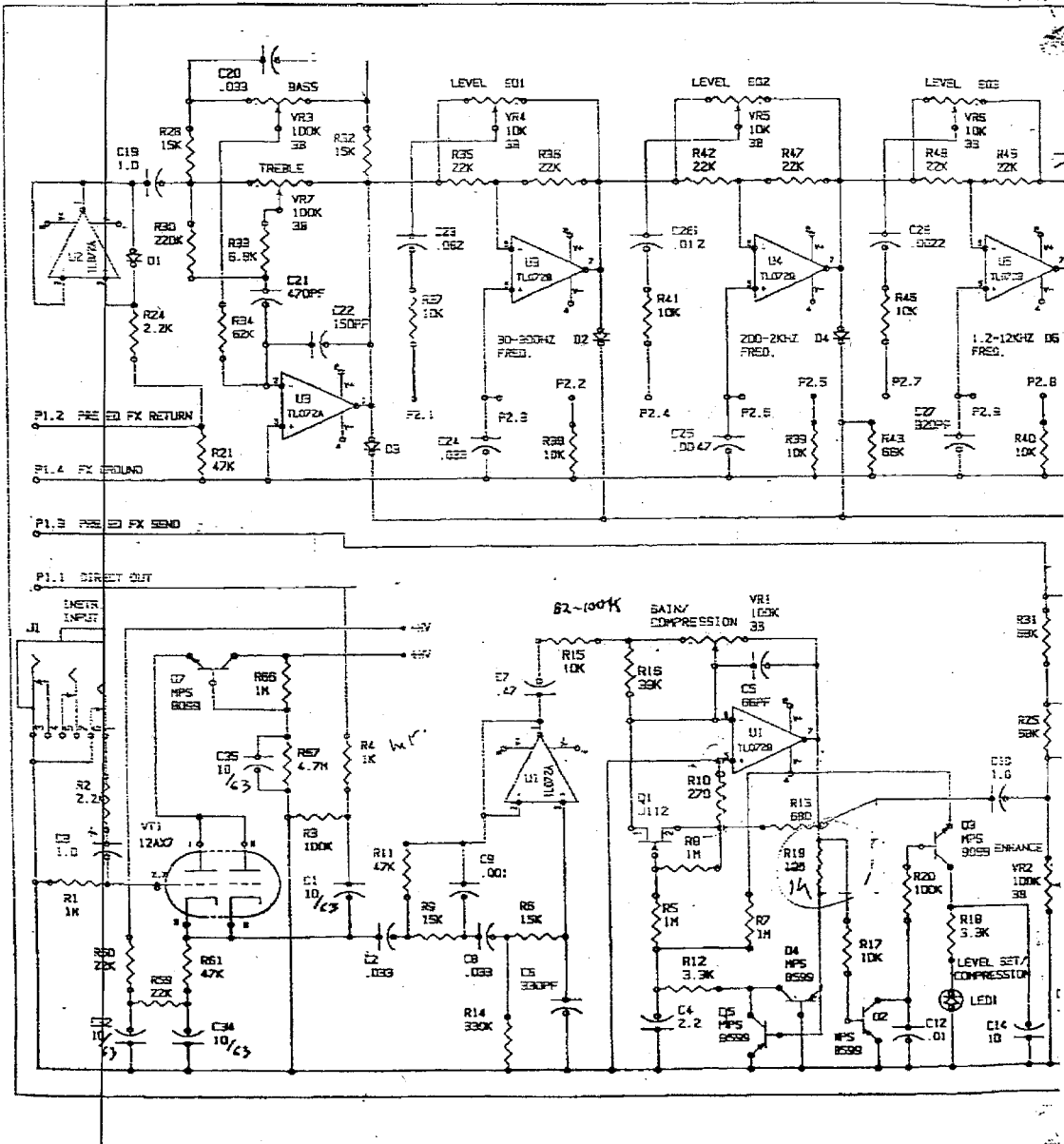
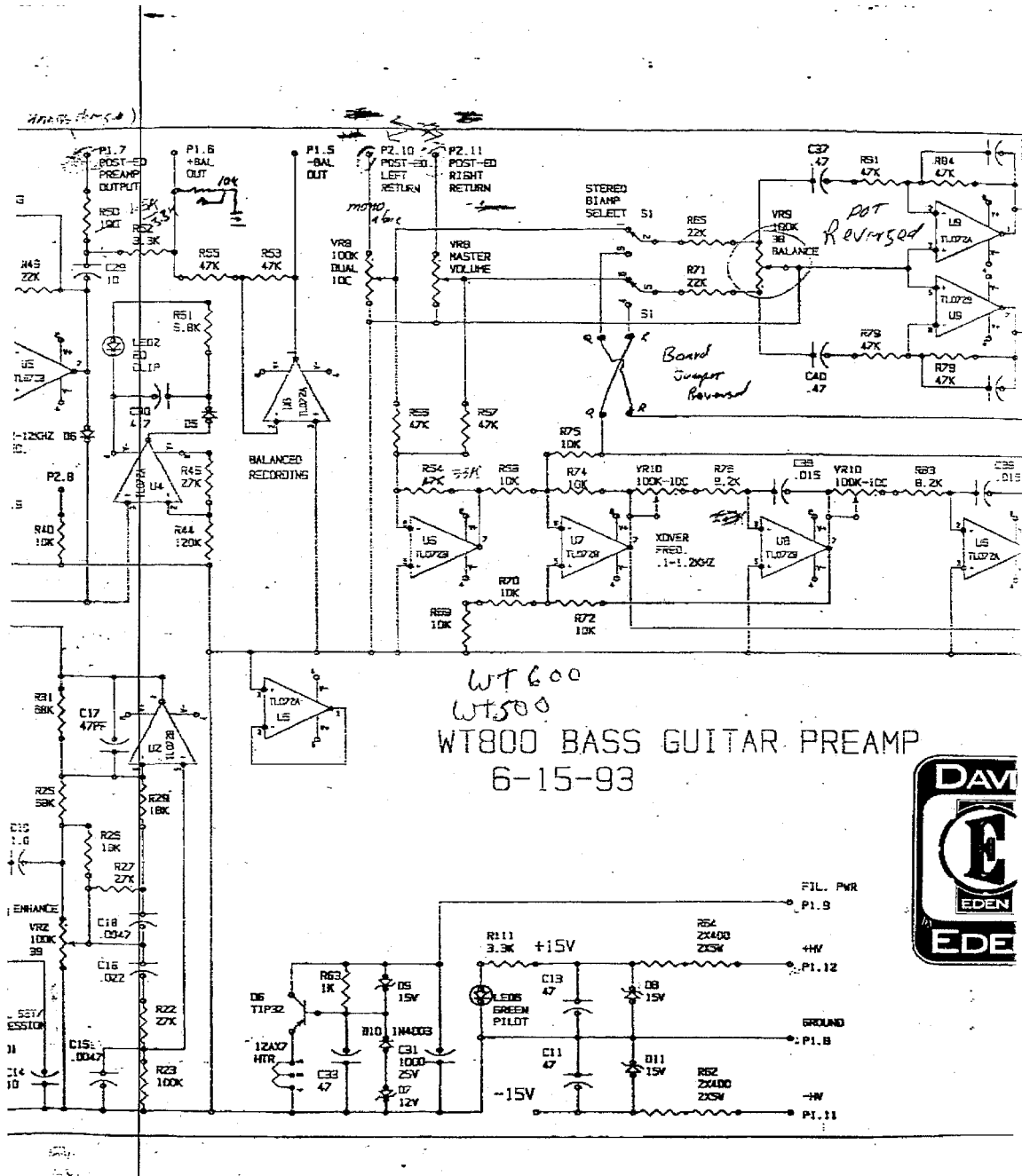
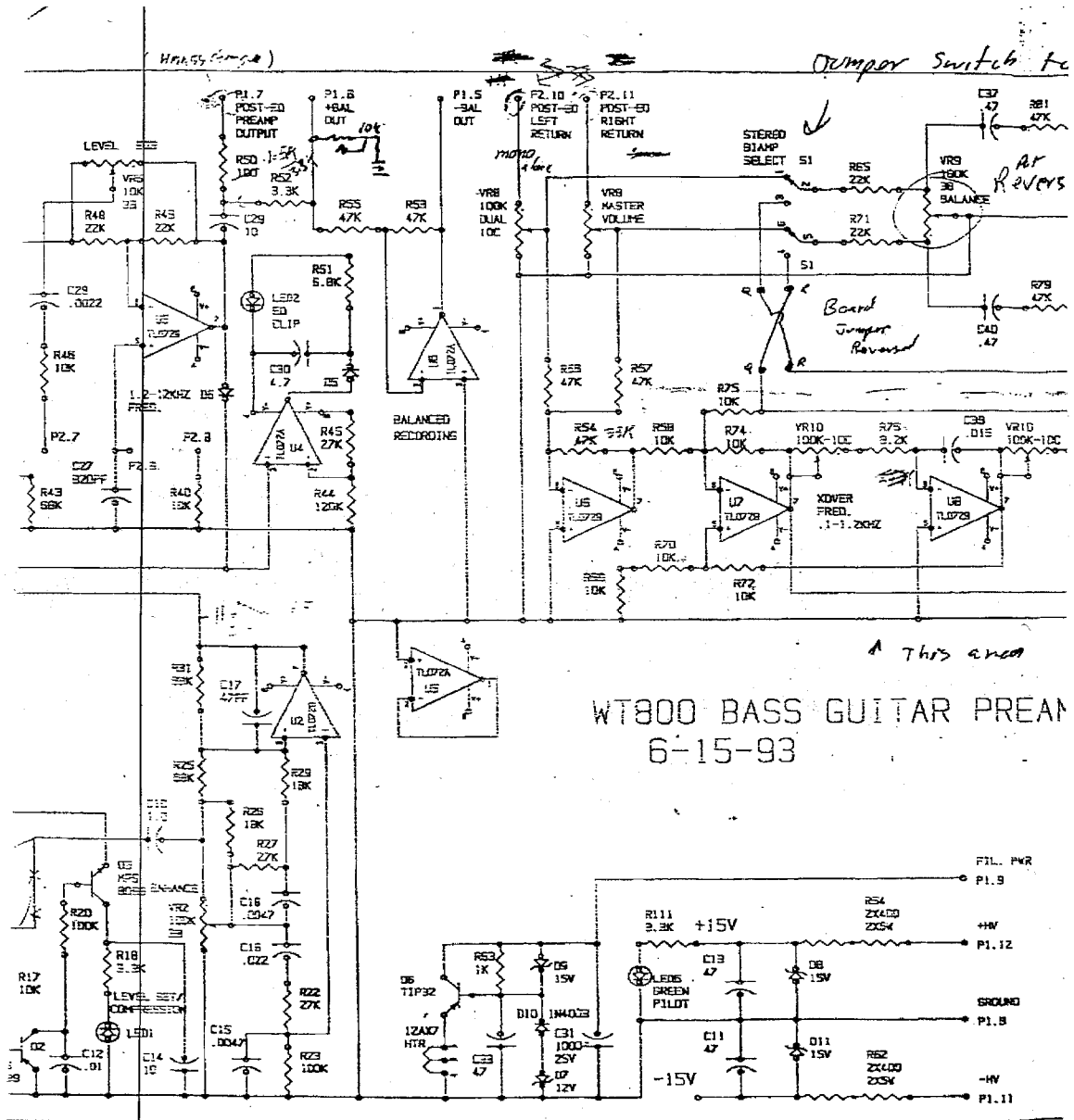


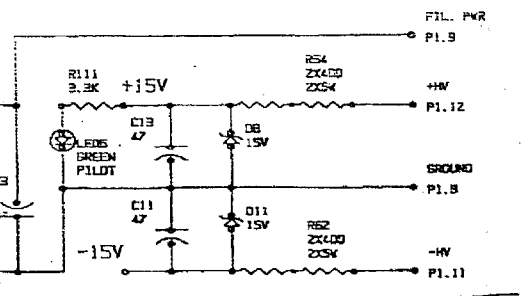
EJen Electronics
WT 800/500/600





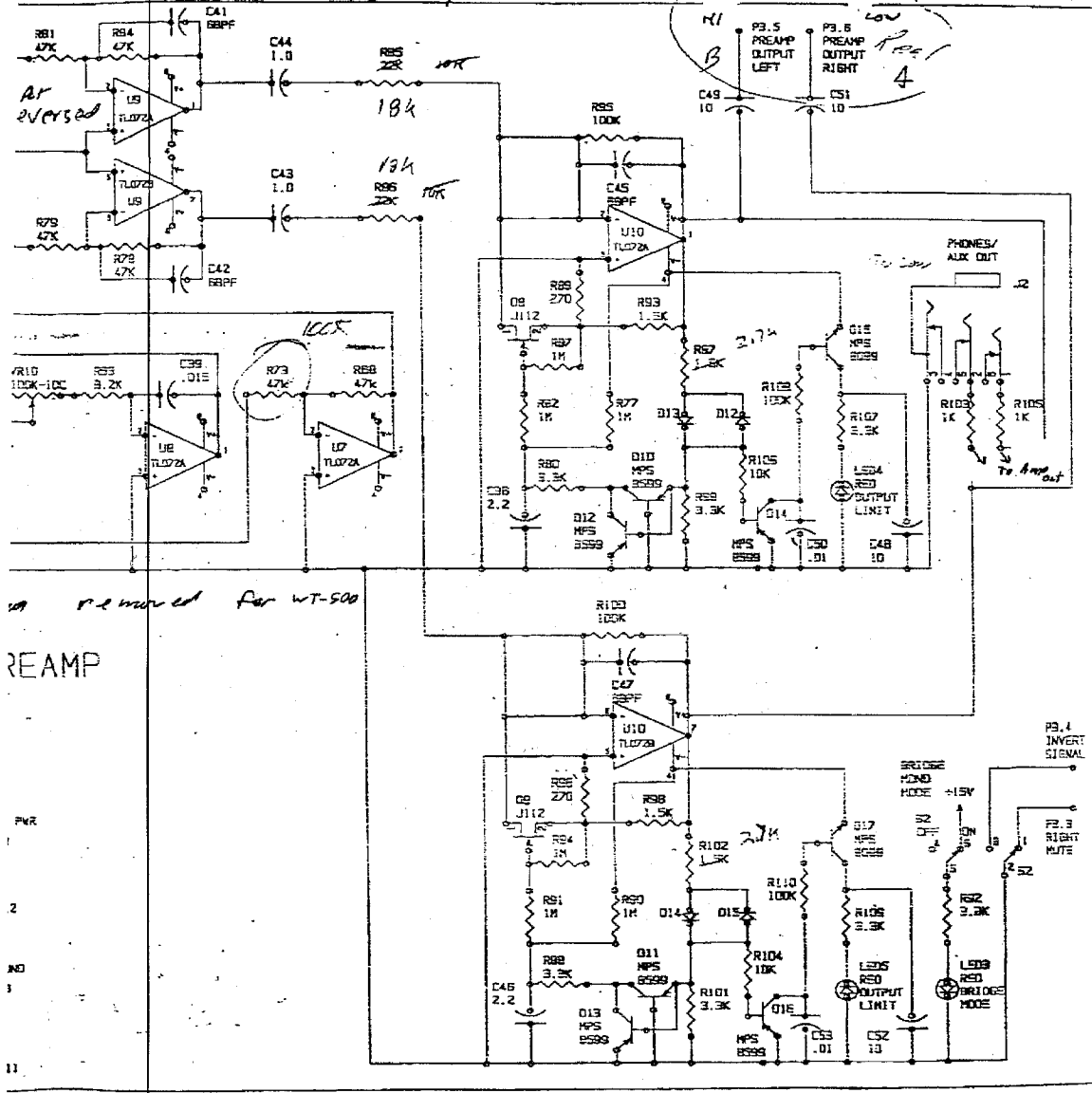


WT800 BASS GUITAR PREAMP
6-15-93



EJen Electronics

to normal position



removed for WT-500

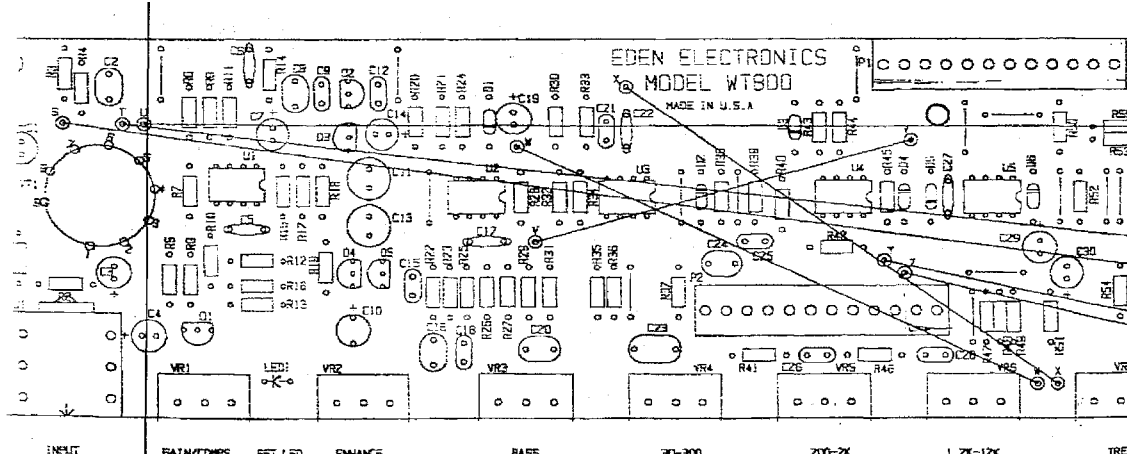
PREAMP

PWR

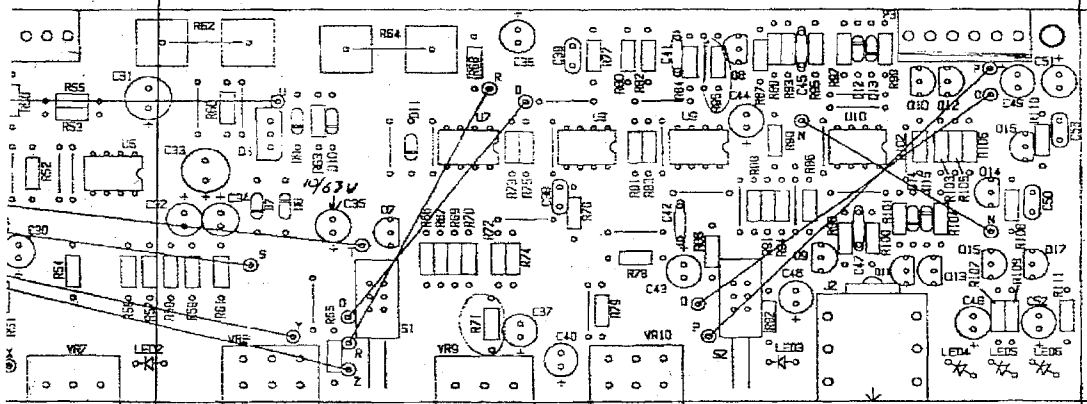
ND

11

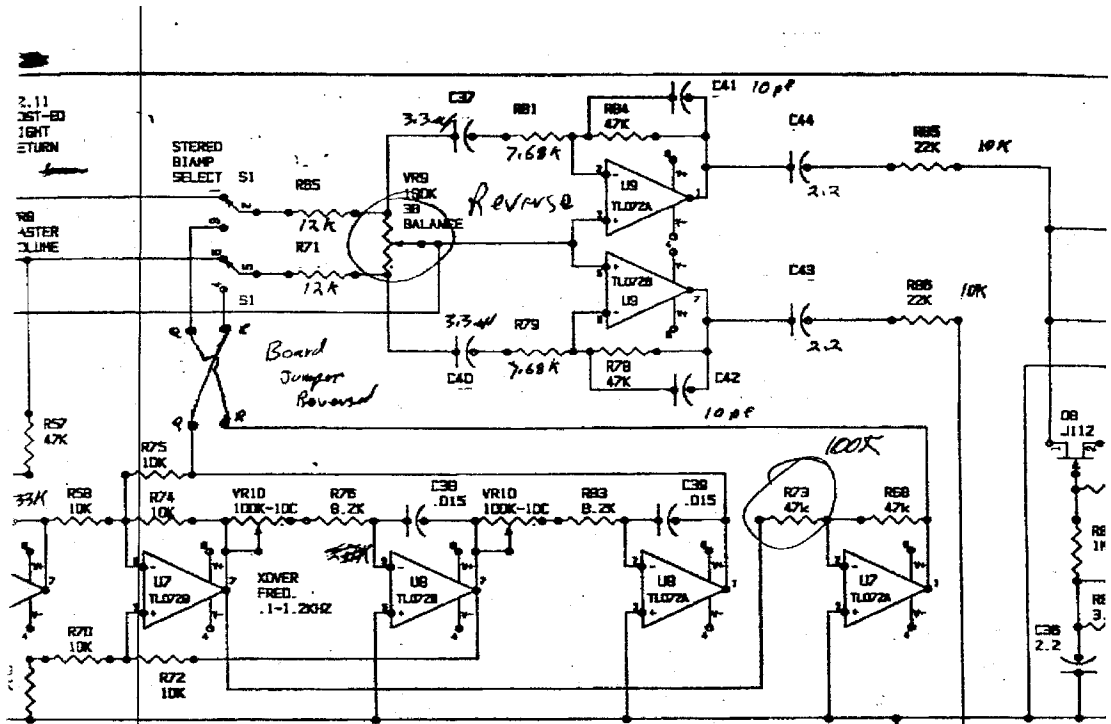
11



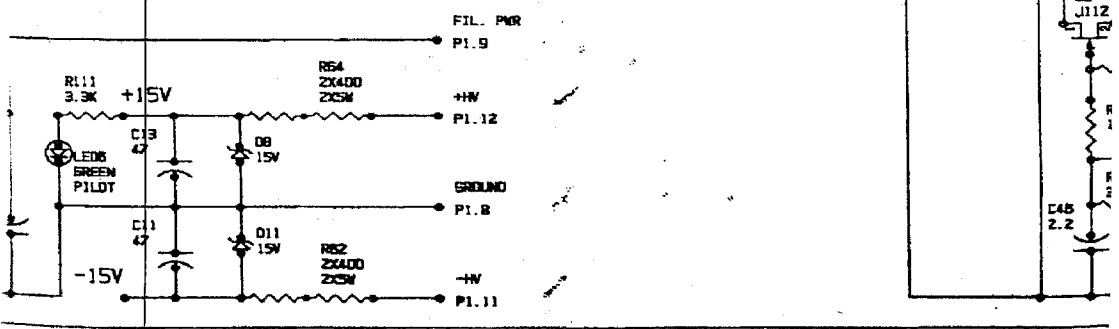
NOTES: EDEN ELECTRONICS MODEL WT800 6-20-93
 MATERIAL = GLASS EPOXY G10 FR4 .062 THICK
 PCB SIZE = 15.60 X 3.00 INCHES
 USE 2 OZ COPPER TINNED
 SILK SCREEN LOCATIONS IN WHITE
 APPLY SOLDER MASK IN GREEN

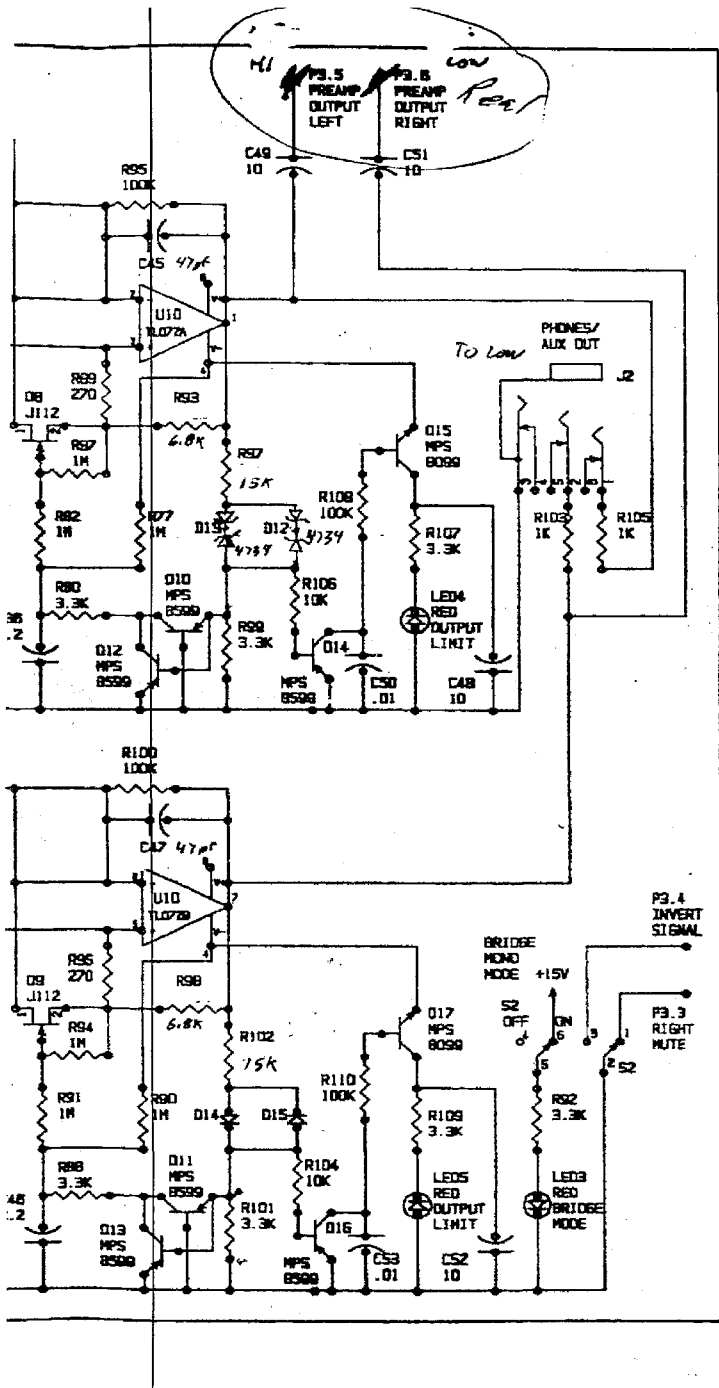


TWEETER EQ CLIP MASTER STAMP MODE BALANCE CROSSOVER SOURCE MODE PHONES/AUX LIMIT A LIMIT B PILOT



VT800 BASS GUITAR PREAMP
 6-15-93
 Eden Electronics

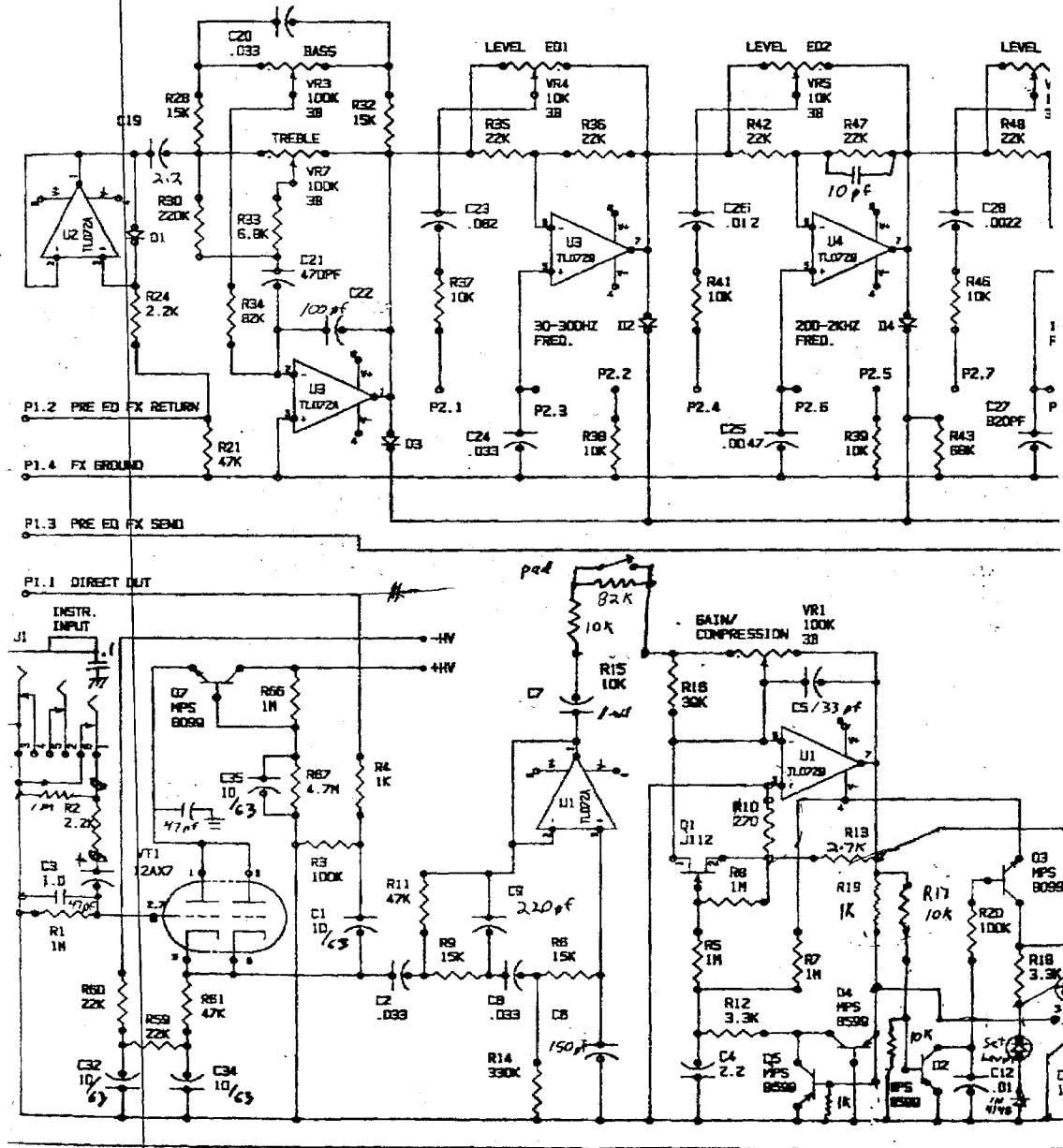


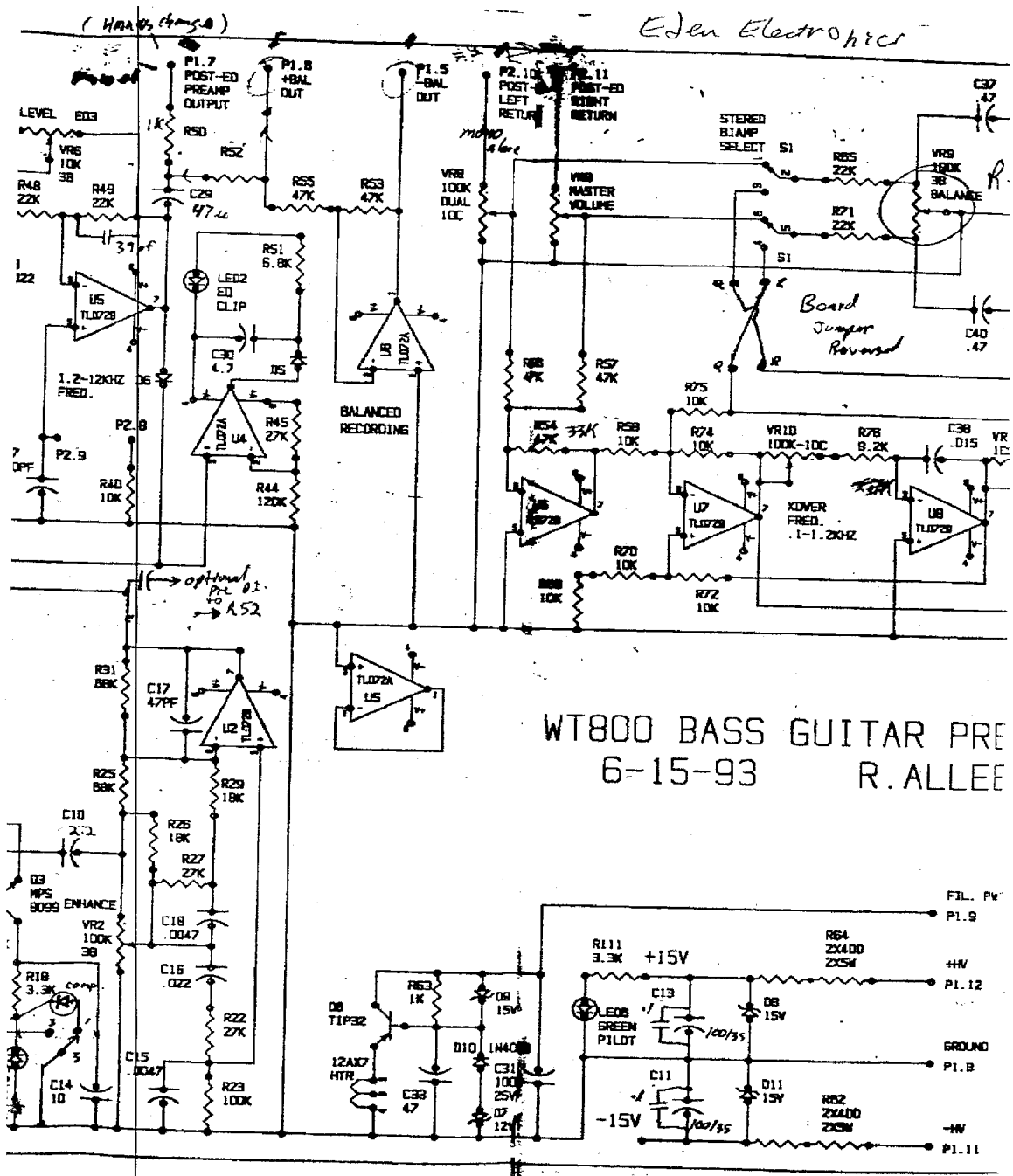


Elen Electronics

*Amp Mod
 2.7k replace 1/5.
 near heater
 add 1.2k to 6.
 of Board*

Eden Electronics





WT800 BASS GUITAR PRE
6-15-93 R. ALLEE

Eden Electronics

(HMA 85 Change)

STEREO BIAMP SELECT

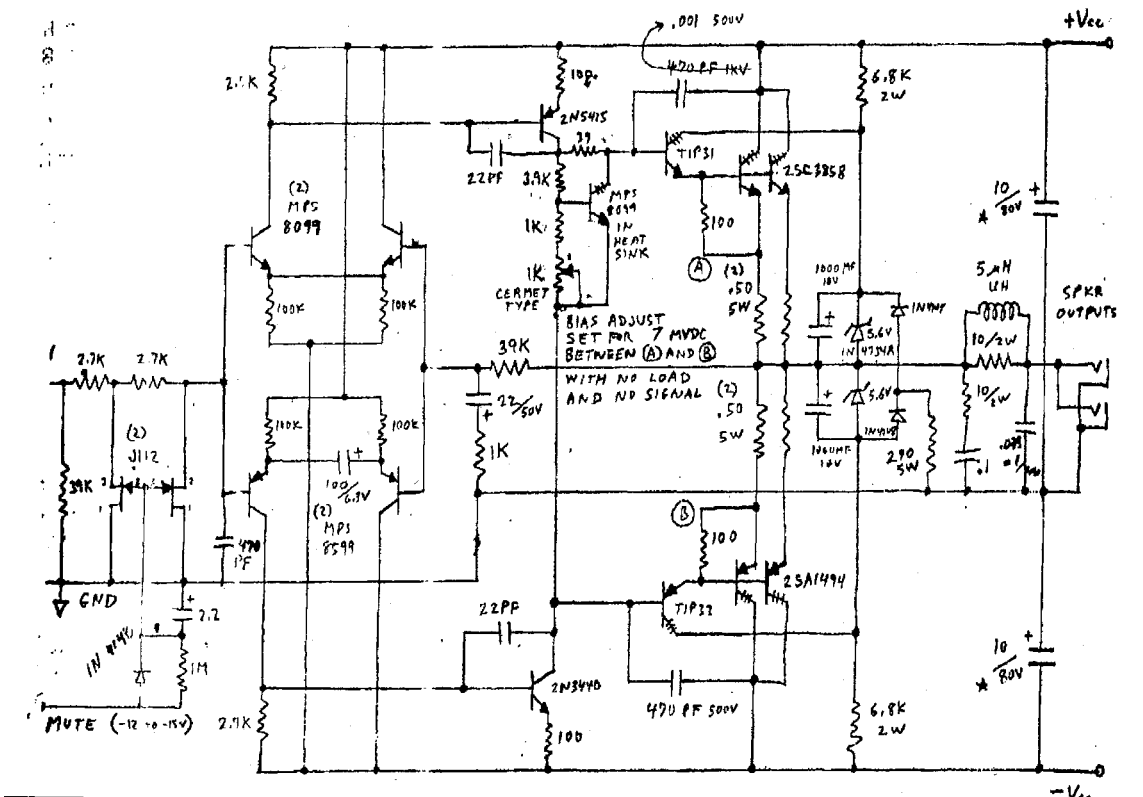
Board Jumper Reversed

BALANCED RECORDING

KOMER FREQ. 1-1.2KHZ

optional P2.02 to A52

- FIL. PW P1.9
- HW P1.12
- GROUND P1.B
- HW P1.11



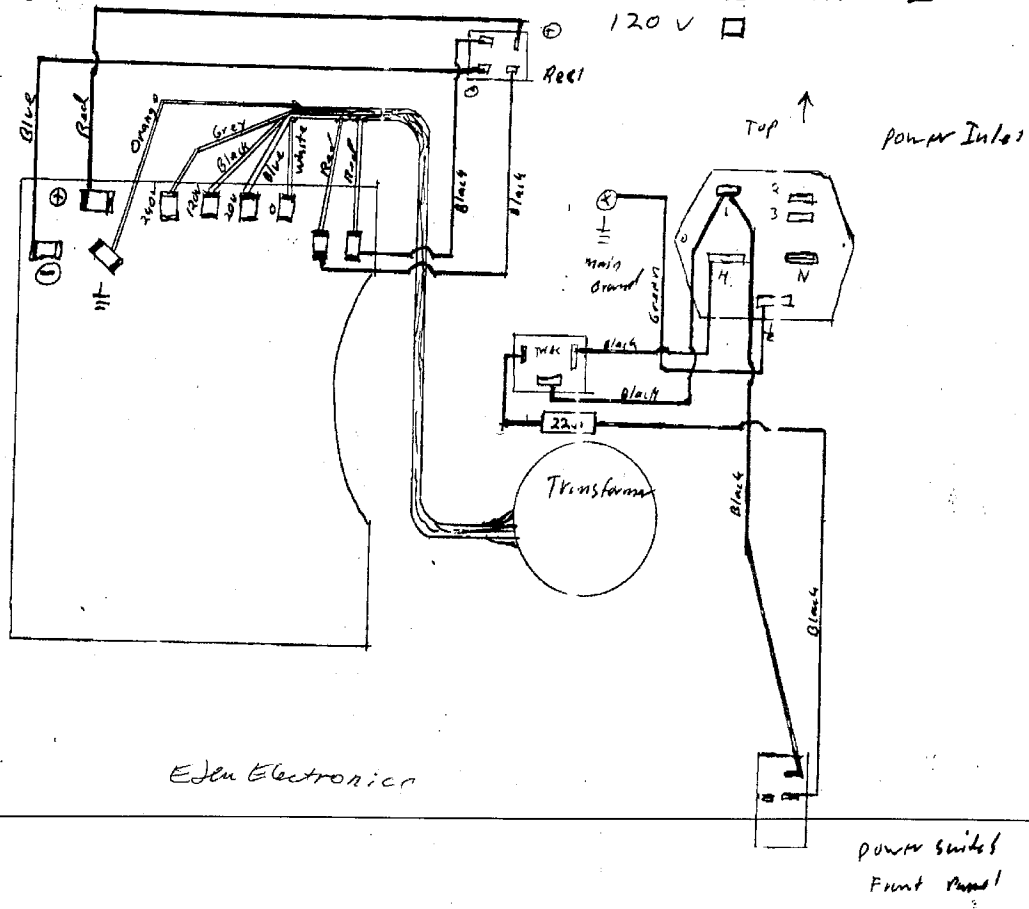
GAIN = X 40

EDEN POWER AMPLIFIER PM-400

Eden Electronics

Wiring pictorial WI-800

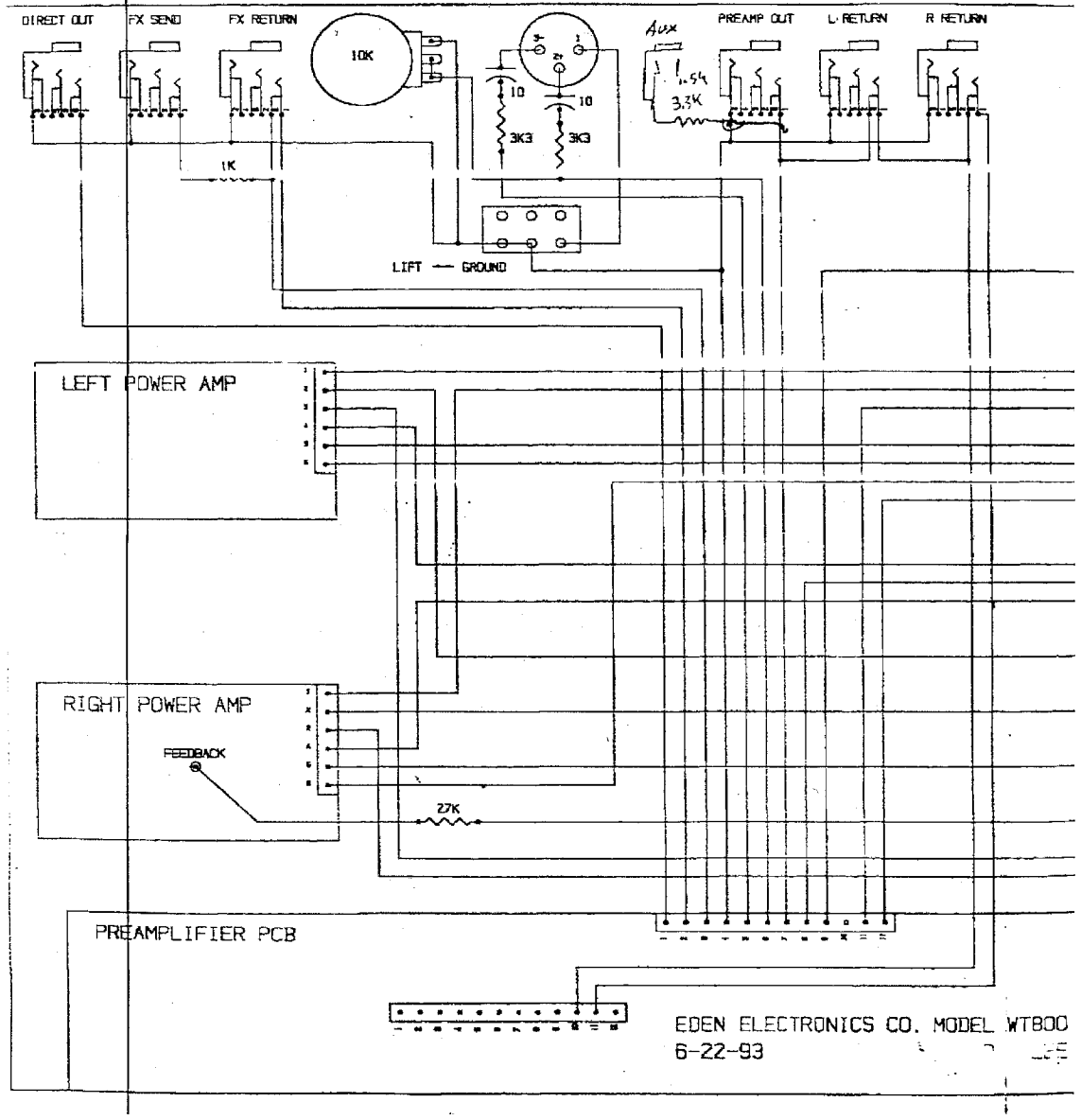
100 V 240 V
120 V



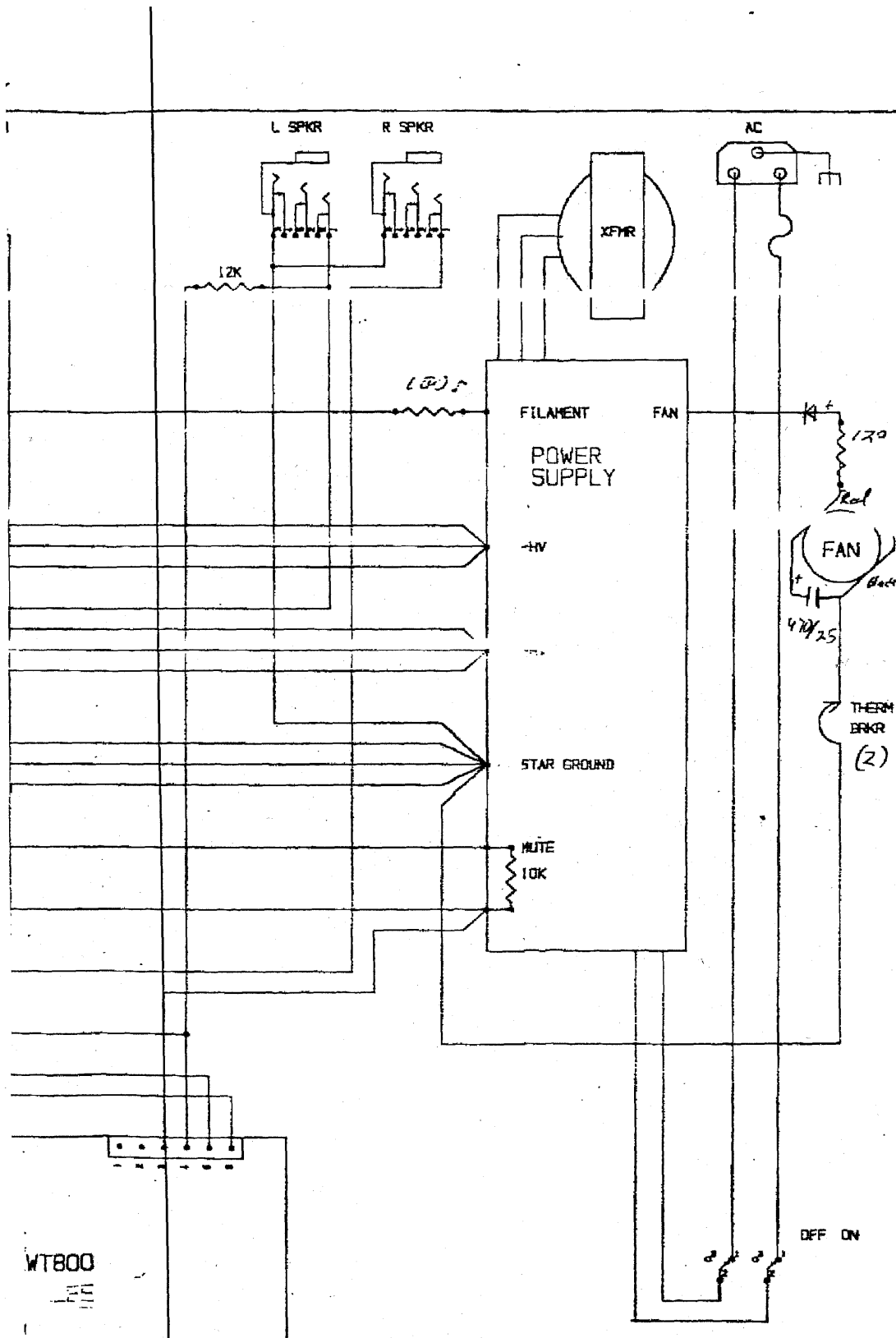
EJlu Electronics

power switch
Front panel

NEW P.C. Board
DIY on MONO only



EDEN ELECTRONICS CO. MODEL WT800
6-22-93



WT800

Elen Electronics