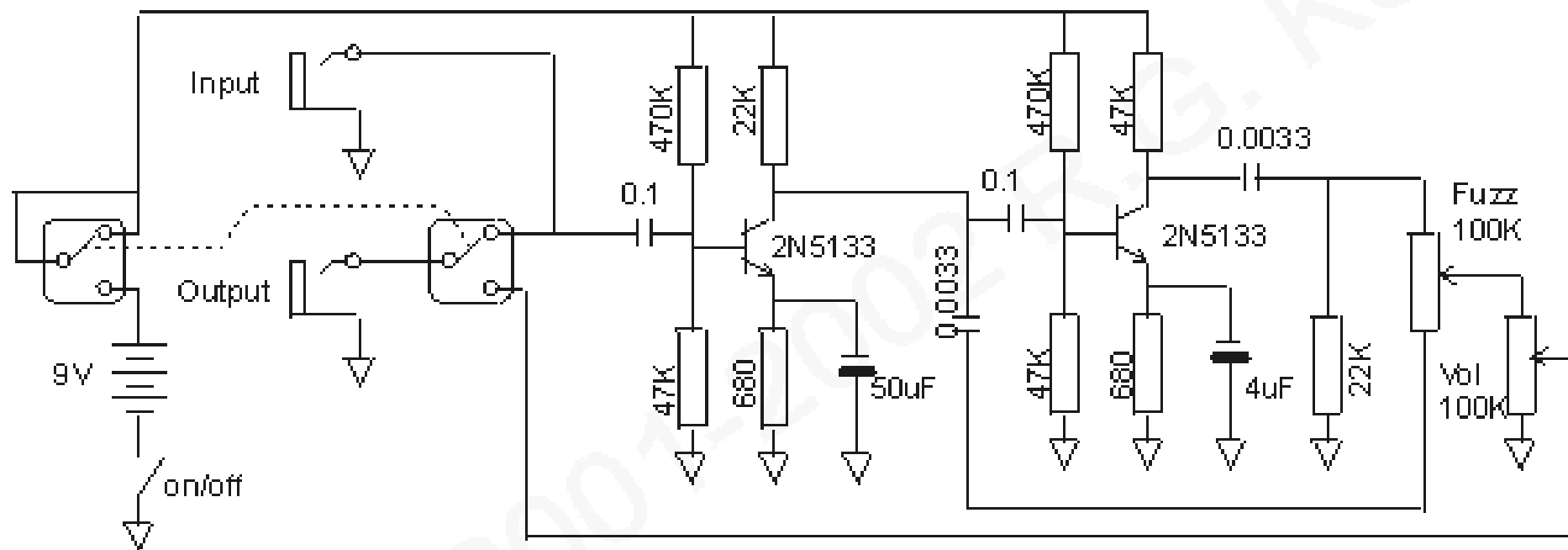


# EH Axis and Guild 2-knob Foxy Lady

Schematic provided by  
Angelo Marruzzi - Thanks!!



"This is the circuit of the rare Electro-Harmonix Axis and the classic two-knob Guild Foxy Lady as made by Electro-Harmonix. Note the unusual switching arrangement. One side of the switch switches the signal, the other side switches the power and has the center and circuit supply pins tied together. When the pedal is in bypass mode, no power is applied to the circuit. The on/off switch, located in the battery ground path, is loaded on the back of the volume pot in the examples used for this schematic. Other 2-knob Foxy Ladys have an on/off switch located on the top between the controls and are not the same as the one illustrated here."  
Ron Neeley II

R.G.'s notes - the original tracing of the schematic was by Ron Neeley II. Also note that both transistors are type 2N5133, not one each of 2N5132 and 2N5133. For those of you who decide to build this, the 2N5133 is an unremarkable NPN signal transistor. Modern 2N3904's could be used, as could many others. If you decide to substitute, be sure you get the pinout correct for the device you actually use.