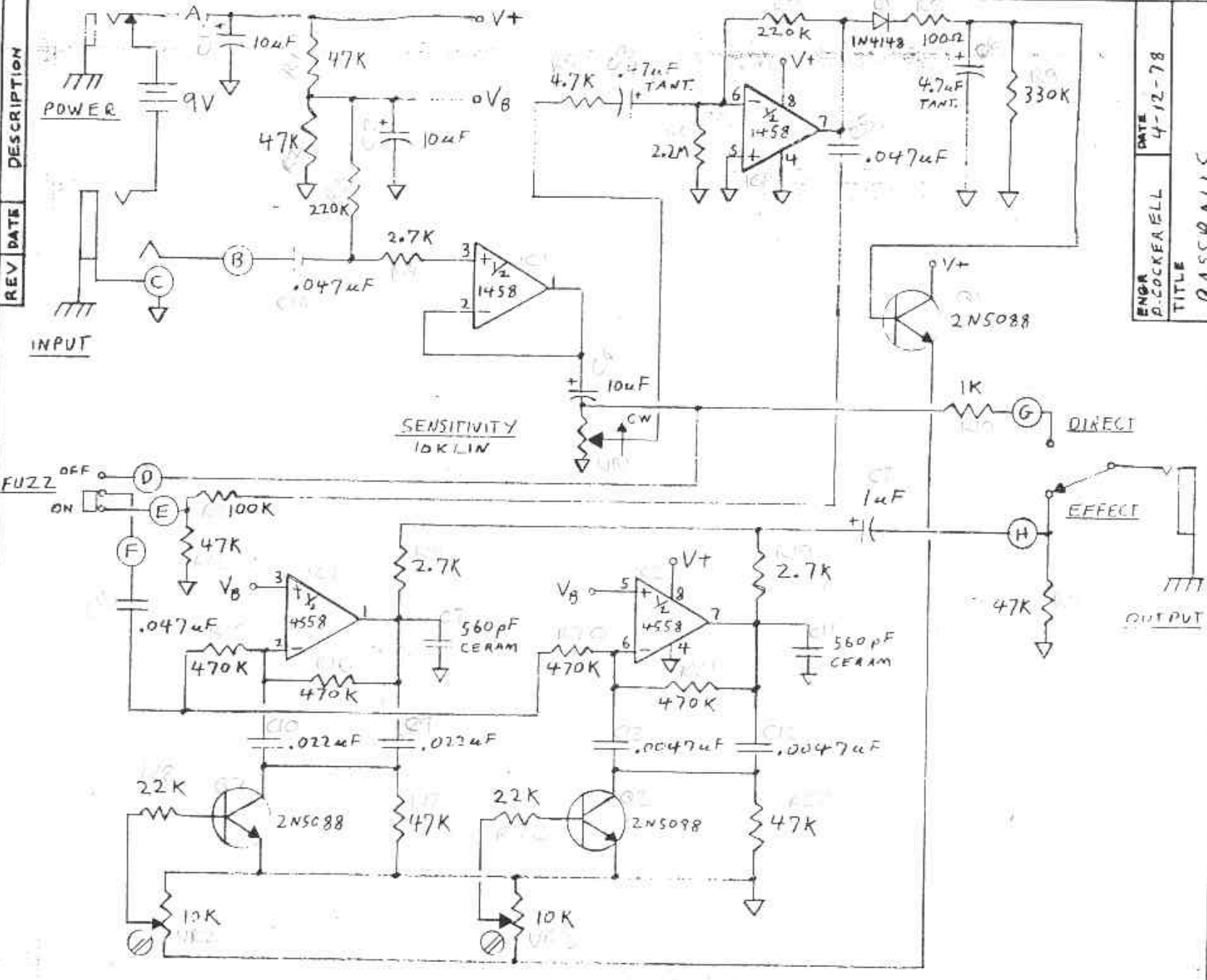


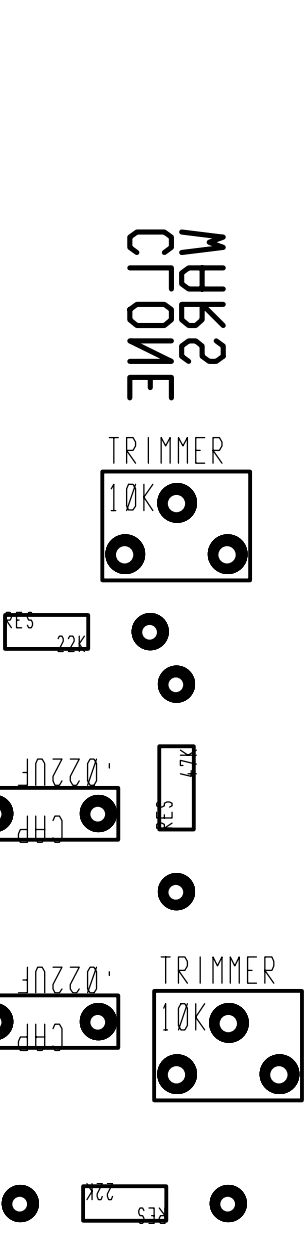
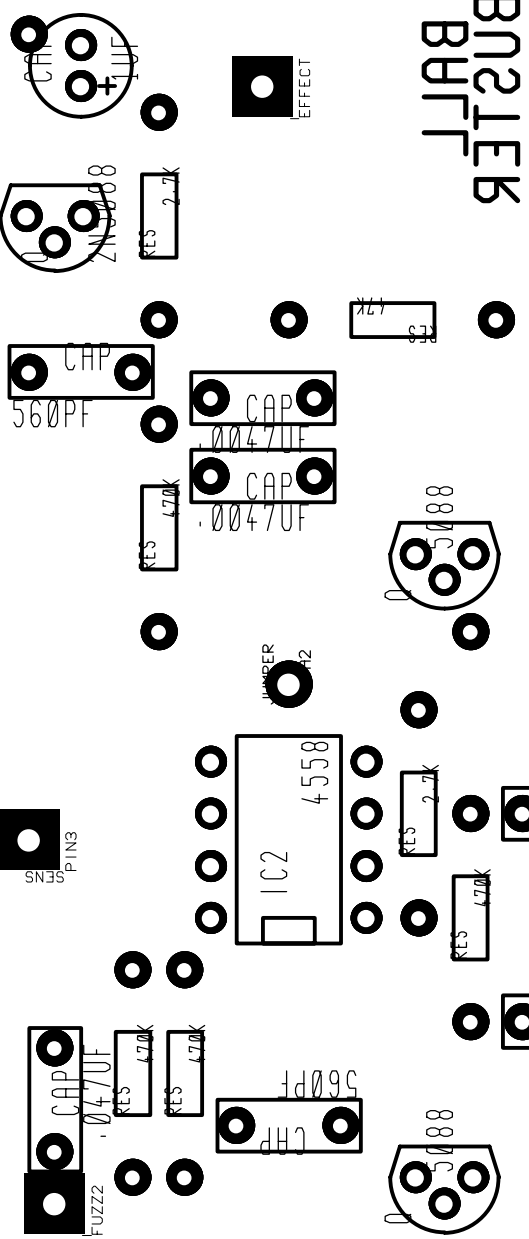
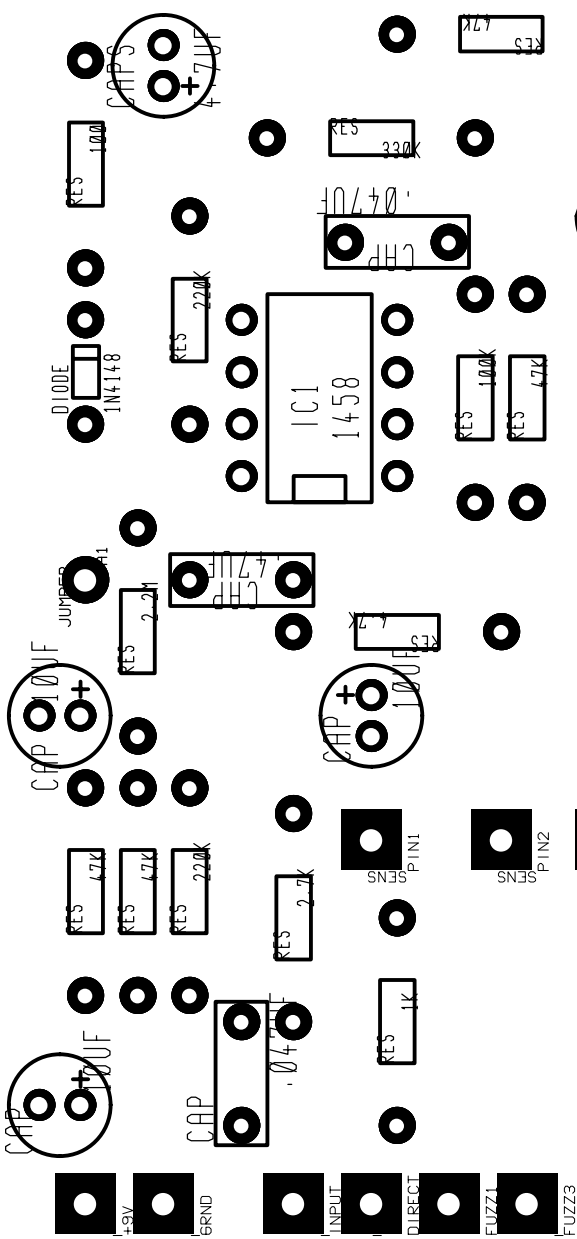
REV DATE DESCRIPTION



ENGR P. COCKE/ELL	DATE 4-12-78
TITLE BASSBALLS	
PART NO. EH-4250	SHEET REVISION 1 OF 1

electro-harmonix

27 WEST 23RD STREET NEW YORK, N.Y. 10010 (212) 741-3770



BU2TER
BUFF

WAR2
CTONE

TRIMMER
10K

TRIMMER
10K

