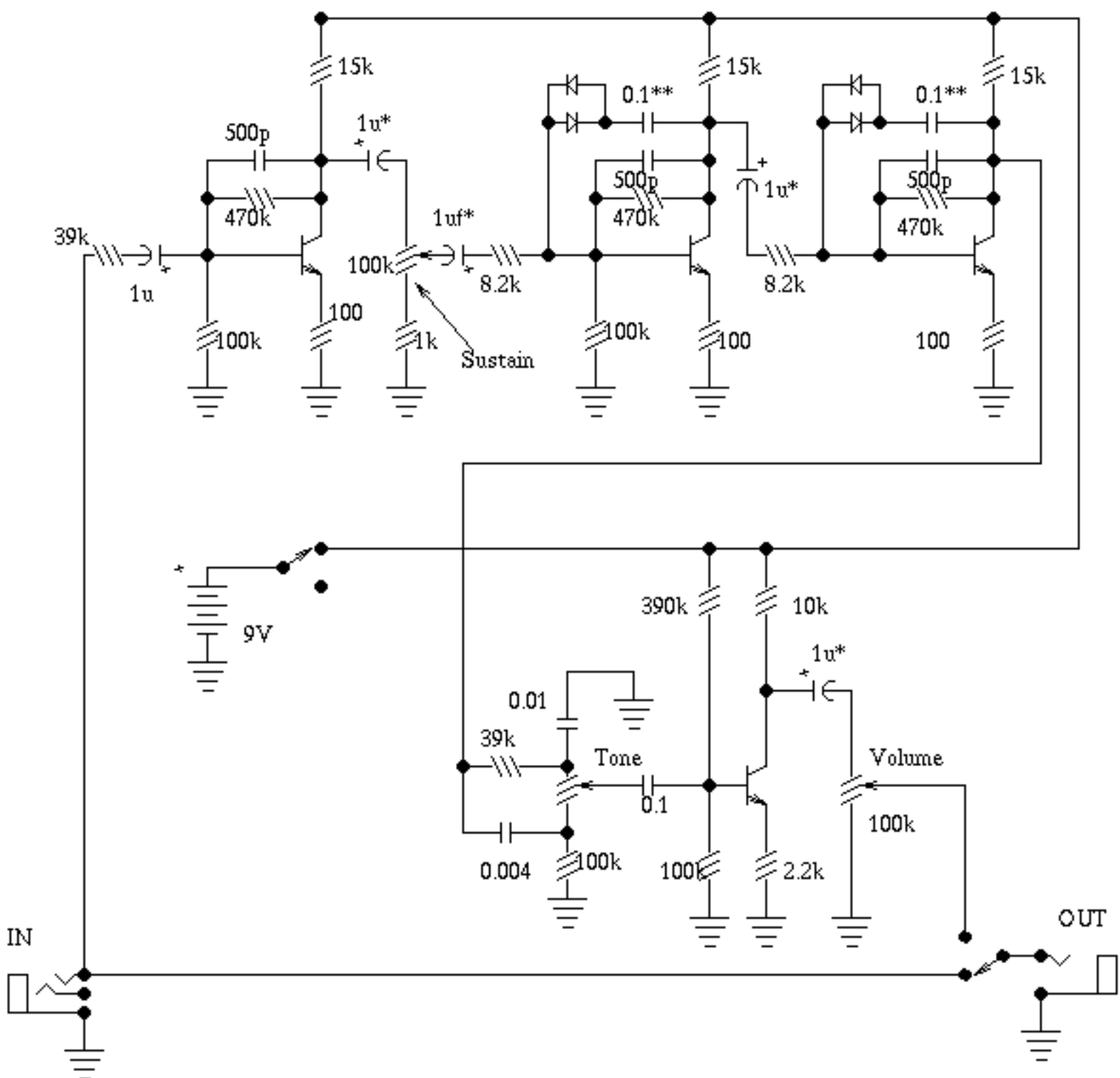


# ELECTRO-HARMONIX BIG MUFF PI



The EH Big Muff Pi would probably be improved by modern input-jack power switching and a DPDT bypass switch. This is the original schematic. The diode and transistor types are unknown. Probably any high gain NPN and 1N914s work. Coupling caps marked by a \* have been reported to sound better if changed to 0.1uf as have the \*\* marked ones if changed to 1.0uf.