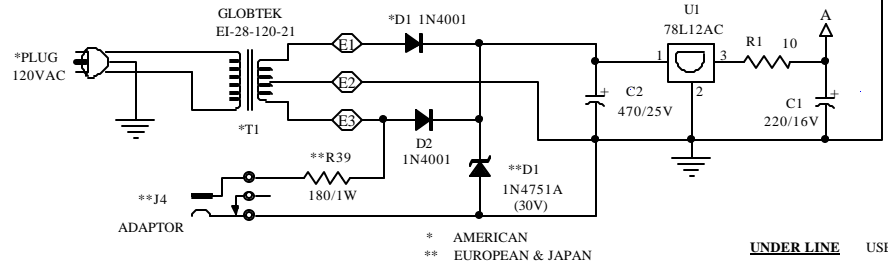
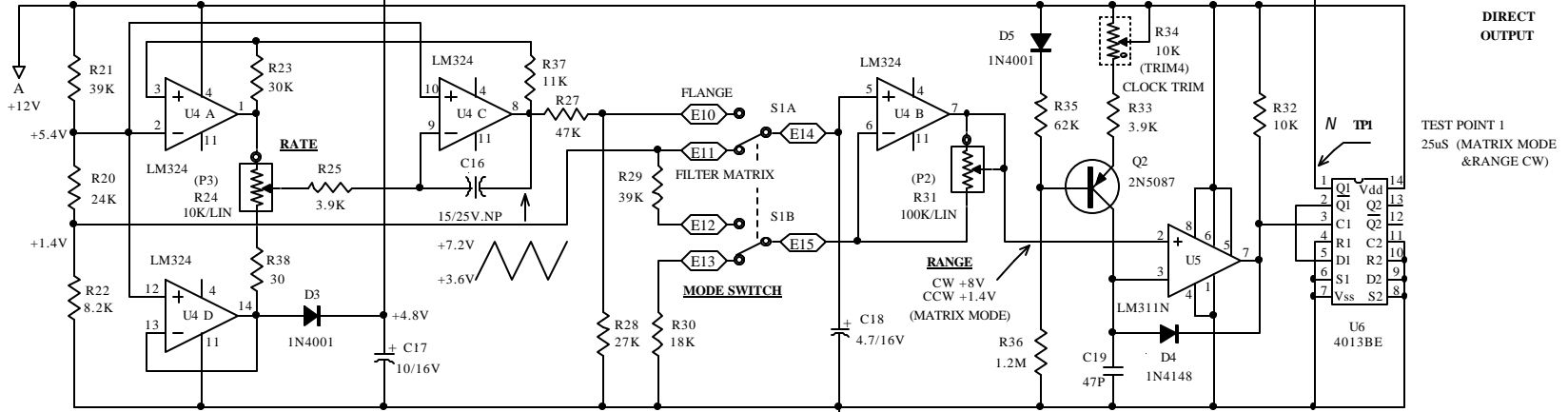
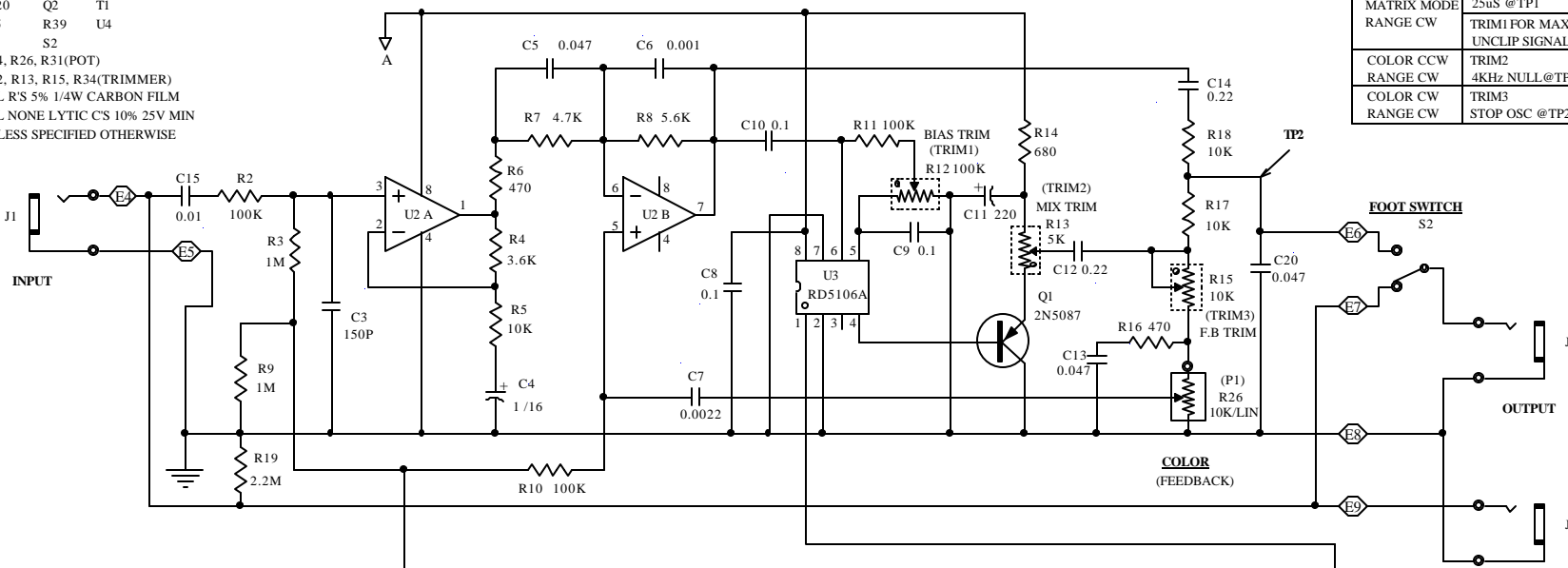


LAST I.D. RANK USED
 C20 Q2 T1
 D5 R39 U4
 J4 S2
 R24, R26, R31(POT)
 R12, R13, R15, R34(TRIMMER)
 ALL R'S 5% 1/4W CARBON FILM
 ALL NONE LYTIC C'S 10% 25V MIN
 UNLESS SPECIFIED OTHERWISE

| SETTING | ADJUST |
|-------------|---|
| MATRIX MODE | TRIM4 25uS @TP1 |
| RANGE CW | TRIM1 FOR MAXIMUM UNCLIP SIGNAL@U3-4 |
| COLOR CCW | TRIM2 |
| RANGE CW | 4KHz NULL@TP2 |
| COLOR CW | TRIM3 |
| RANGE CW | STOP OSC @TP2 |



E15 NUMBER INDICATED PC BOARD WIRING TERMINALS.

ORIGINAL DRAWING DATED 08/23/95/H.D

NEW SENSOR CORPORATION N.Y.C., NEW YORK, U.S.A.

| | | | |
|---|------------------|---|--|
| Title DELUXE ELECTRIC MISTRESS | | Copyright 1995 New Sensor Corp. 32-33 47th Ave Long Island City, NY 11101 | |
| Size A | Number EC1000 | Revision | |
| Date: 3-Dec-2002 | Sheet 1 of 1 | Drawn By: L. DANG 12-02-02 | |
| File: C:\EHX\Schematics\Schematics.ddb | | | |

UNDER LINE USER CONTROLLABLE

* AMERICAN
 ** EUROPEAN & JAPAN