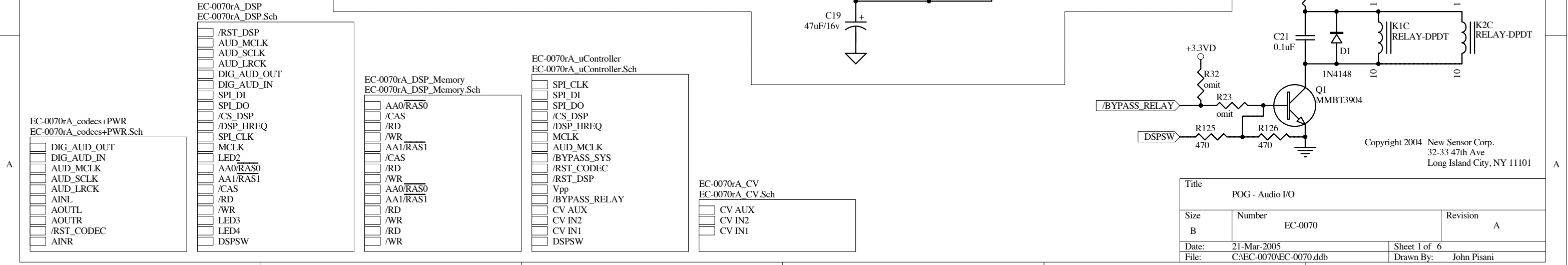
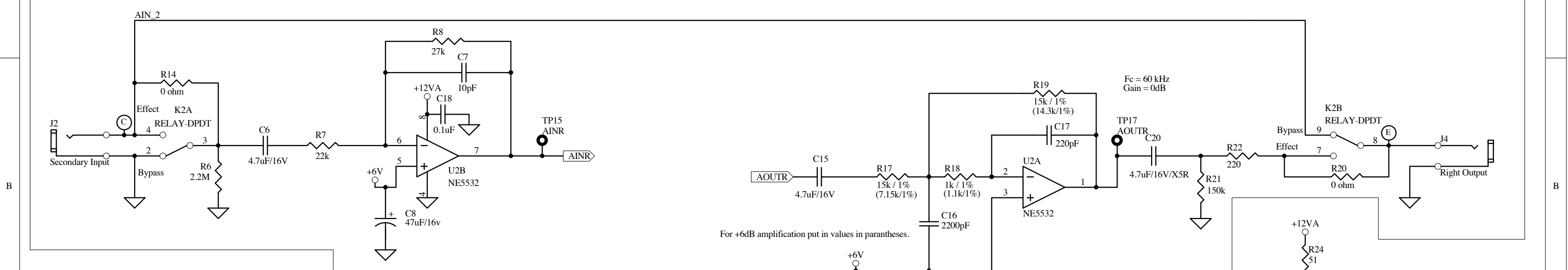


OMIT Secondary Input Section From Production.



- EC-0070rA_codecs+PWR
- EC-0070rA_codecs+PWR.Sch
- DIG_AUD_OUT
- DIG_AUD_IN
- AUD_MCLK
- AUD_SCLK
- AUD_LRCK
- AINL
- AOUTL
- AOUTR
- /RST_CODEC
- AINR

- EC-0070rA_DSP
- EC-0070rA_DSP.Sch
- /RST_DSP
- AUD_MCLK
- AUD_SCLK
- AUD_LRCK
- DIG_AUD_OUT
- DIG_AUD_IN
- SPI_DI
- SPI_DO
- /CS_DSP
- /DSP_HREQ
- SPI_CLK
- MCLK
- LED2
- AA0/RAS0
- AA1/RAS1
- /CAS
- /RD
- /WR
- LED3
- LED4
- DSPSW

- EC-0070rA_DSP_Memory
- EC-0070rA_DSP_Memory.Sch
- AA0/RAS0
- /CAS
- /RD
- /WR
- AA1/RAS1
- /CAS
- /RD
- /WR
- AA0/RAS0
- /RD
- /WR
- AA1/RAS1
- /CAS
- /RD
- /WR

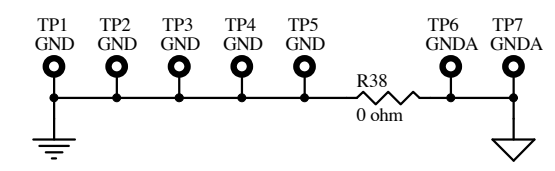
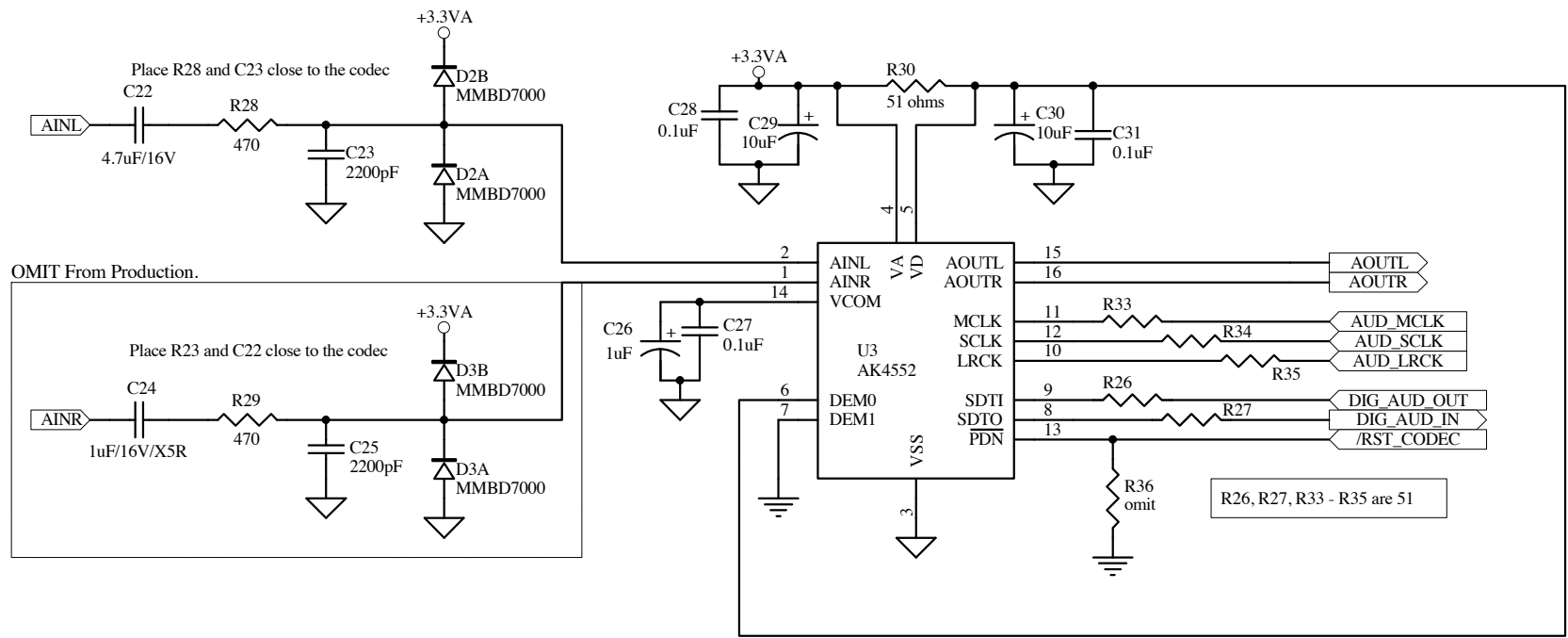
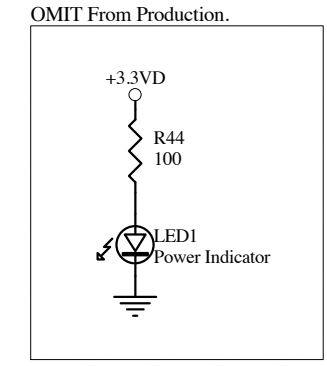
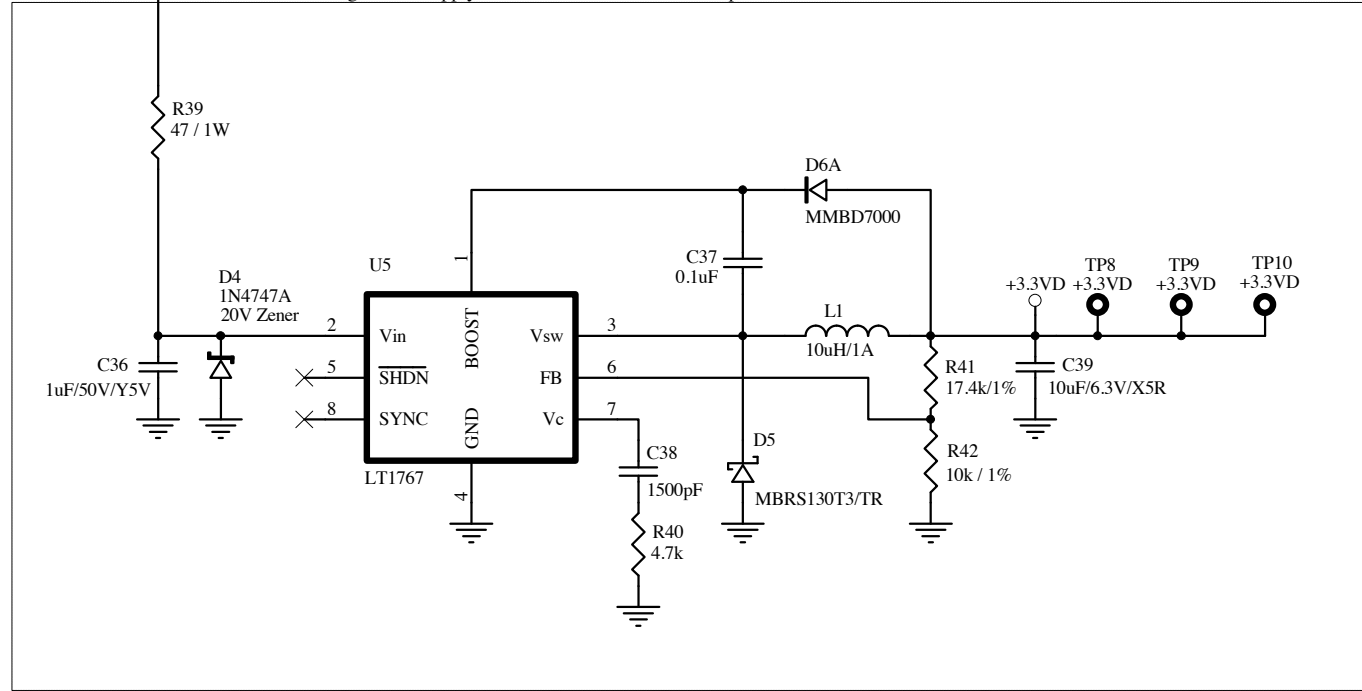
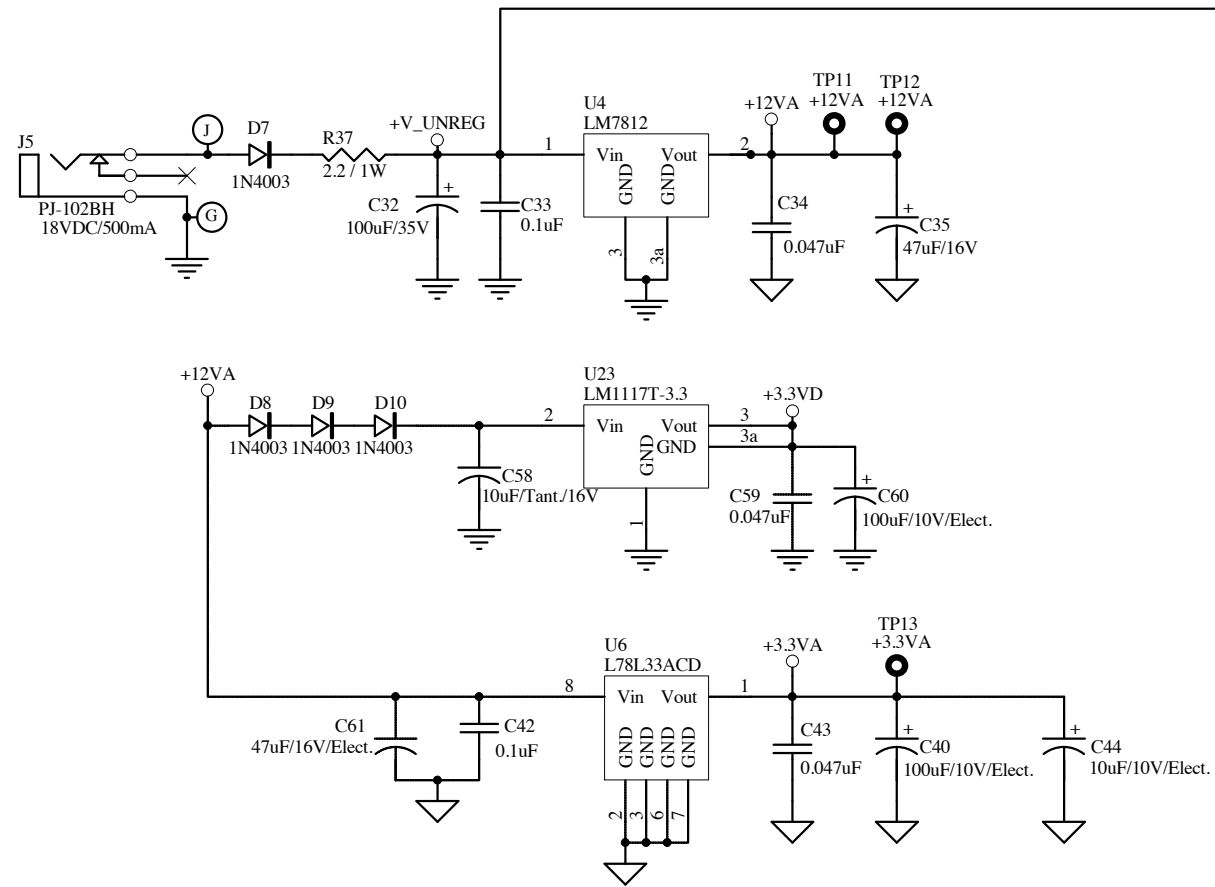
- EC-0070rA_uController
- EC-0070rA_uController.Sch
- SPL_CLK
- SPL_DI
- SPL_DO
- /CS_DSP
- /DSP_HREQ
- MCLK
- AUD_MCLK
- /BYPASS_SYS
- /RST_CODEC
- /RST_DSP
- Vpp
- /BYPASS_RELAY
- CV_AUX
- CV_IN2
- CV_IN1
- DSPSW

- EC-0070rA_CV
- EC-0070rA_CV.Sch
- CV_AUX
- CV_IN2
- CV_IN1

Copyright 2004 New Sensor Corp.
32-33 47th Ave
Long Island City, NY 11101

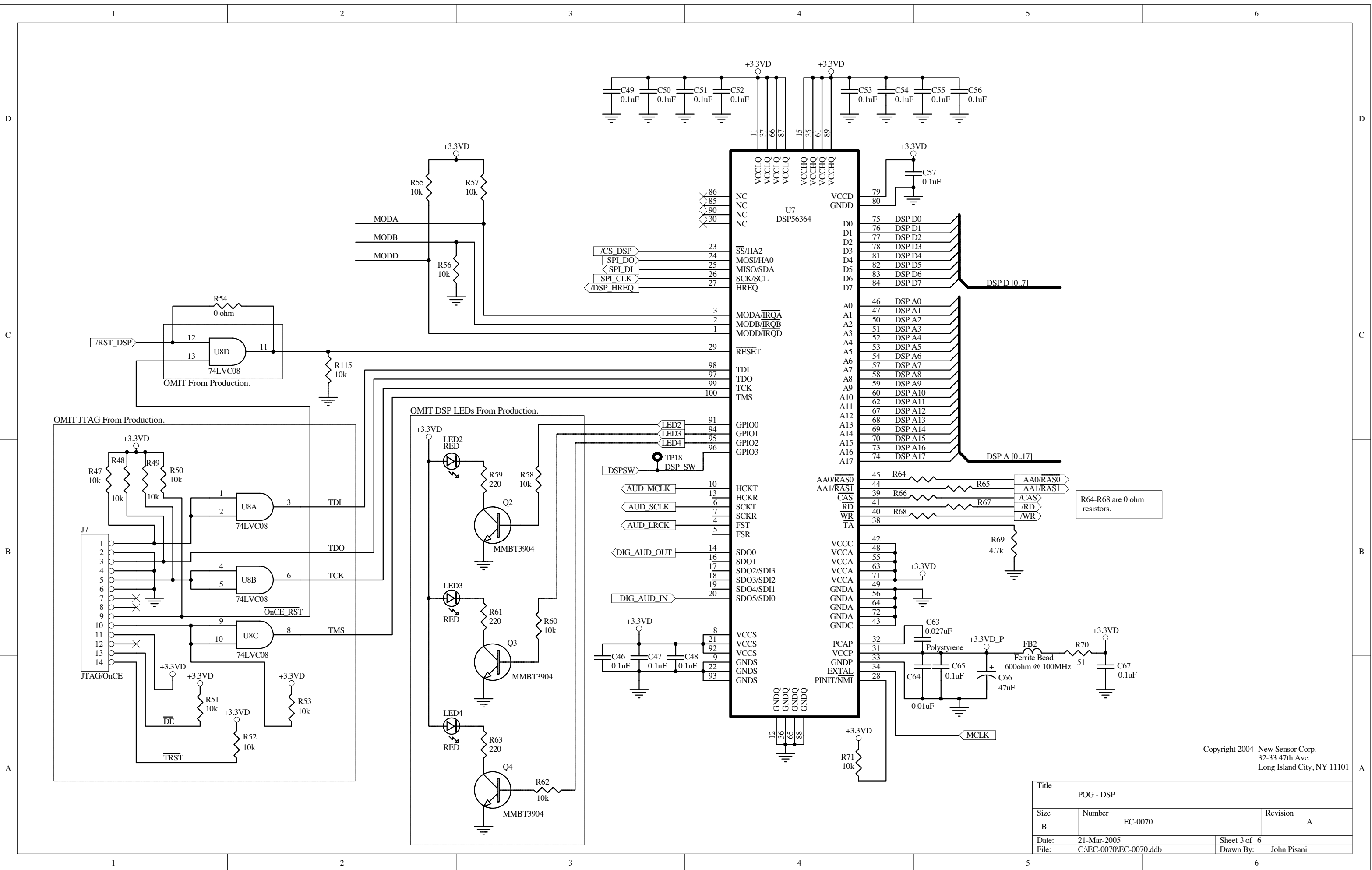
Title		
POG - Audio I/O		
Size	Number	Revision
B	EC-0070	A
Date:	21-Mar-2005	Sheet 1 of 6
File:	C:\EC-0070\EC-0070.ddb	Drawn By: John Pisani

OMIT Switching Power Supply Section From Production.
Install Switching Power Supply when more than one RAM chip is installed on the PCB.



Copyright 2004 New Sensor Corp.
32-33 47th Ave
Long Island City, NY 11101

Title		
POG - Codec and Power Supply		
Size	Number	Revision
B	EC-0070	A
Date:	21-Mar-2005	Sheet 2 of 6
File:	C:\EC-0070\EC-0070.ddb	Drawn By: John Pisani

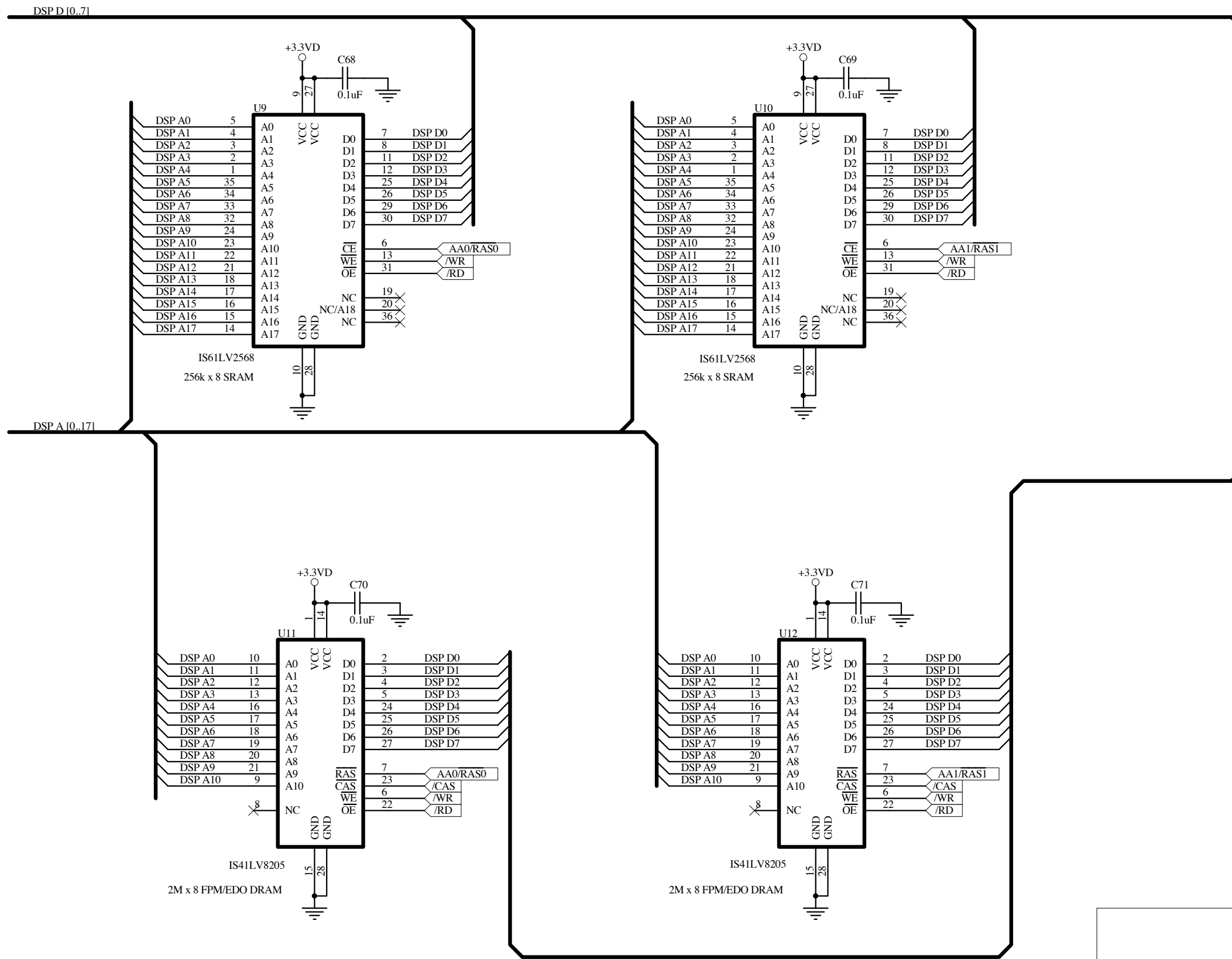


R64-R68 are 0 ohm resistors.

Copyright 2004 New Sensor Corp.
32-33 47th Ave
Long Island City, NY 11101

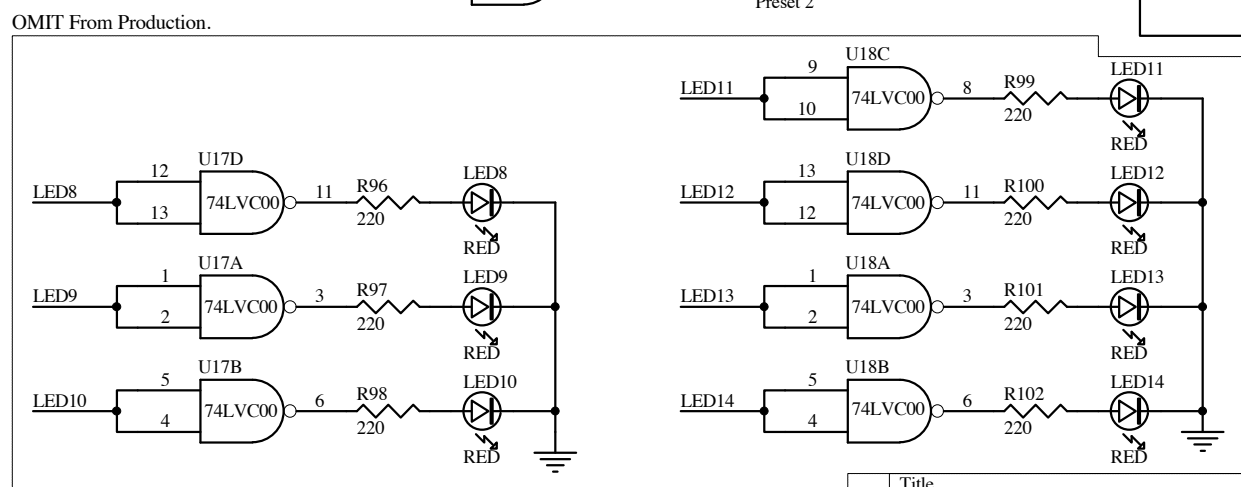
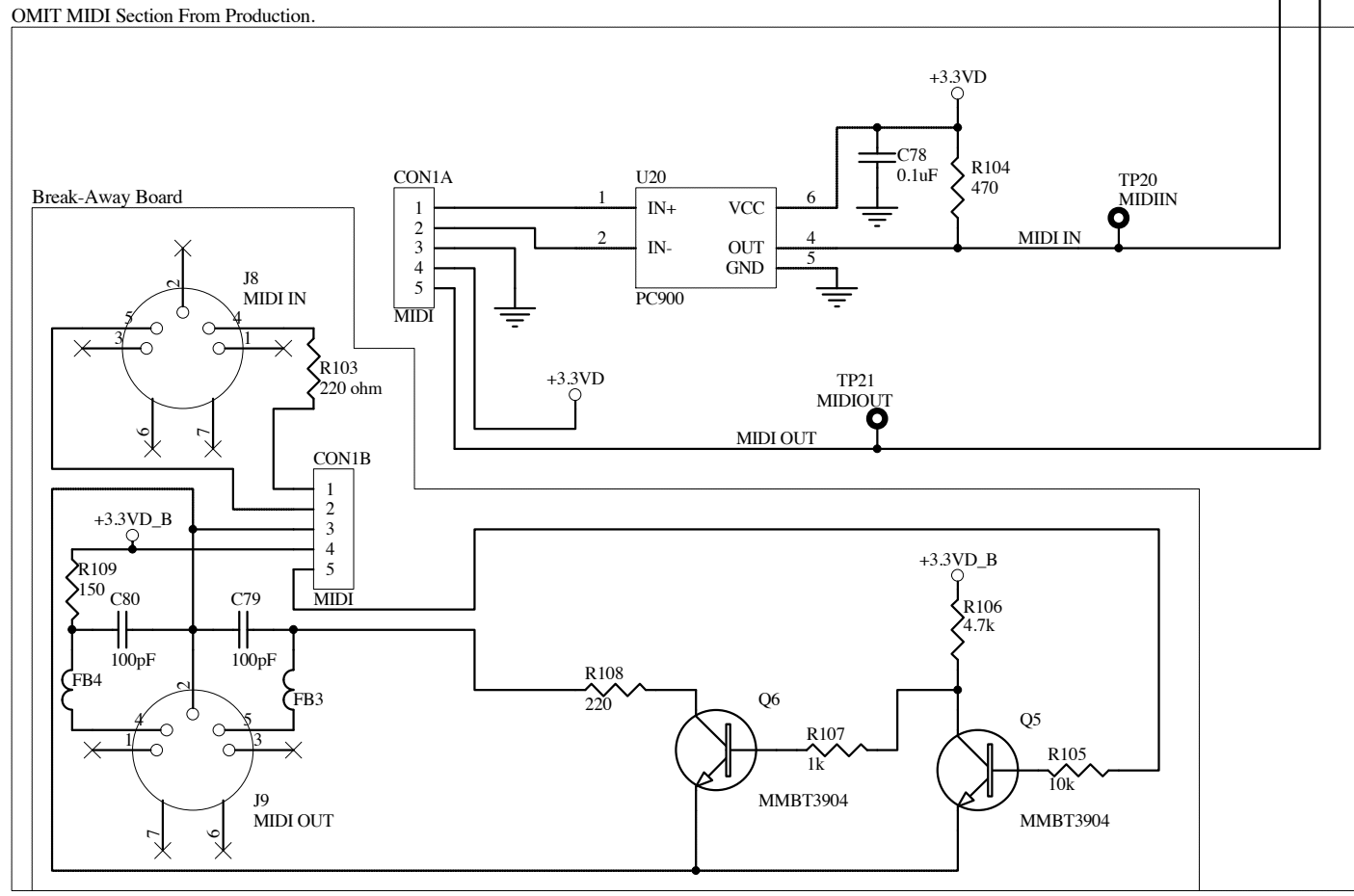
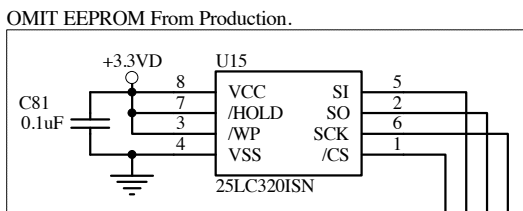
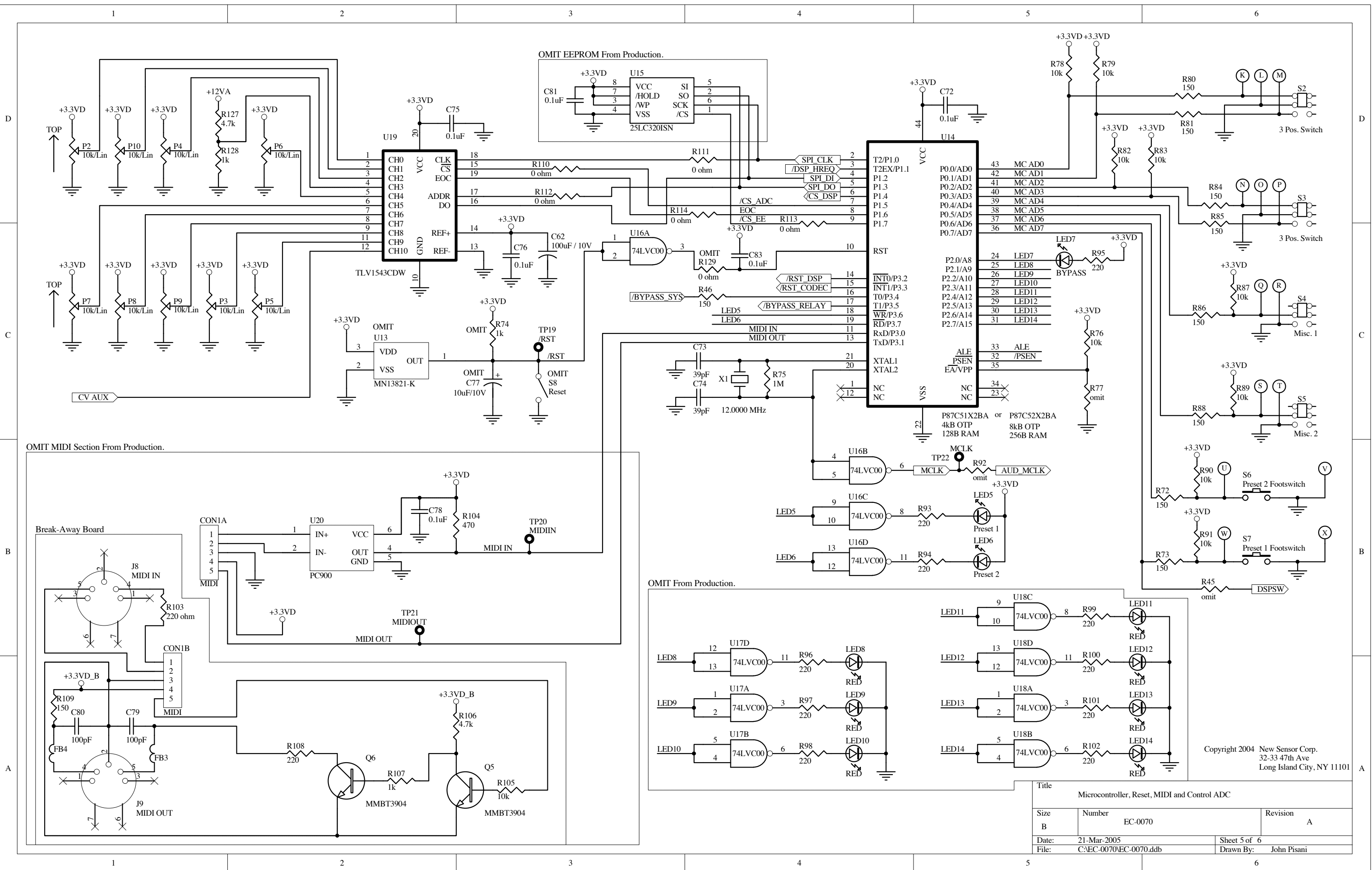
Title		
POG - DSP		
Size	Number	Revision
B	EC-0070	A
Date:	21-Mar-2005	Sheet 3 of 6
File:	C:\EC-0070\EC-0070.ddb	Drawn By: John Pisani

OMIT External Memory Section From Production.



Copyright 2004 New Sensor Corp.
32-33 47th Ave
Long Island City, NY 11101

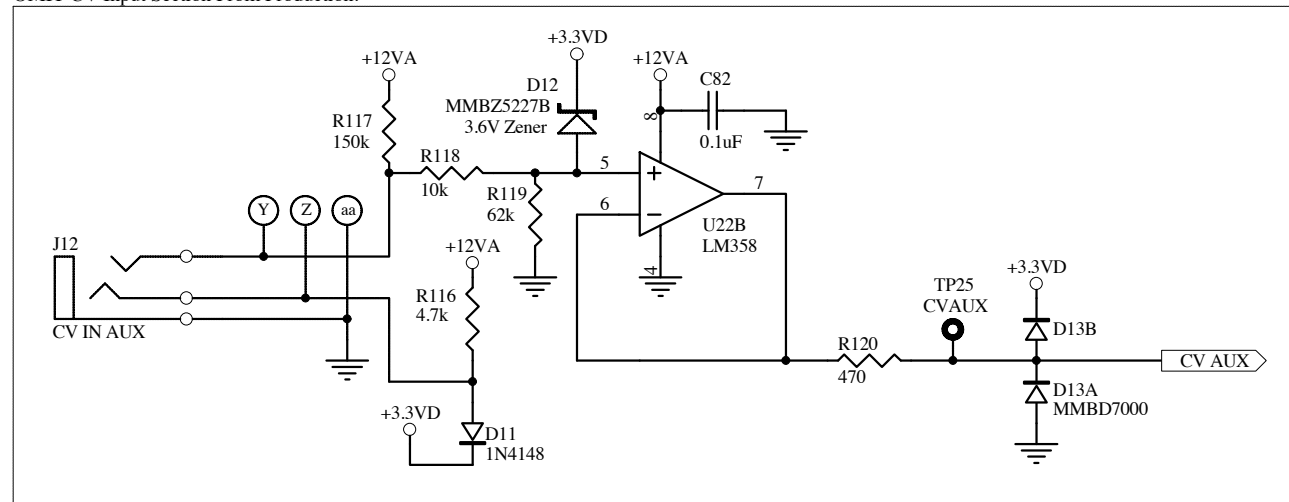
Title		POG - DSP Memory	
Size	Number	Revision	
B	EC-0070	A	
Date:	21-Mar-2005	Sheet 4 of 6	
File:	C:\EC-0070\EC-0070.ddb	Drawn By: John Pisani	



Copyright 2004 New Sensor Corp.
32-33 47th Ave
Long Island City, NY 11101

Title			Microcontroller, Reset, MIDI and Control ADC		
Size	Number	Revision			
B	EC-0070	A			
Date:	21-Mar-2005	Sheet 5 of 6			
File:	C:\EC-0070\EC-0070.ddb	Drawn By:	John Pisani		

OMIT CV Input Section From Production.



Copyright 2004 New Sensor Corp.
32-33 47th Ave
Long Island City, NY 11101

Title		
POG - Control Voltage Inputs		
Size	Number	Revision
B	EC-0070	A
Date:	21-Mar-2005	Sheet 6 of 6
File:	C:\EC-0070\EC-0070.ddb	Drawn By: John Pisani