

*N/D367s*  
N/DYM® Dynamic Cardioid  
Vocal Microphone



## Key Features:

- Classic N/DYM® sound
- Smooth, controlled frequency response
- High N/DYM® sensitivity
- Superior multistage shock mount and “Warm Grip” handle for unmatched low handling noise
- On/Off switch
- Also sounds great when used on a podium

## General Description:

The Electro-Voice N/D367s is a member of a family of microphones that are manufactured with refinements that enhance the sonic smoothness, improve gain-before-feedback and provide more consistent performance with greater durability than earlier generations of N/DYM® microphones.

The controlled response of the N/D367s allows the user to easily work the microphone for optimal performance.

The N/DYM® magnet geometry used in the N/D367s, combined with a reinforced diaphragm design, creates a smooth, extended frequency response with a warm, open and transparent sound quality.

The N/DYM® microphones feature EV's AcoustiDYM™ shock - mount system. This unique vibration isolating system works as a multistage device. At low frequencies, a rear sound wave cancels the diaphragm motion, while, at high frequencies, the specially designed rubber shock mount isolates the transducer from motion. Combining AcoustiDYM™ with the elastomeric Warm-Grip™ handle and the windscreen bumper produces an advanced technology, vibration isolating system which dramatically reduces all forms of handling noise for the most demanding situations.

The N/D367s has a cardioid polar pattern, providing an enhanced front-area sensitivity and acoustic rejection directly behind the microphone, reducing feedback under live performance conditions. This is particularly useful with typical monitor speaker placement and high sound pressure (SPL) requirements. Additionally, the N/D367s's polar patterns are unusually uniform with frequency, ensuring superior gain-before-feedback in live applications and superior isolation when used in the studio.

The N/D367s pop filter's unique design utilizes a specially processed Acoustifoam™ filter to minimize wind noise and vocal P-pops. This design makes the pop filter an integral part of the microphone's removable front grille assembly, allowing easy cleaning for continued top performance.

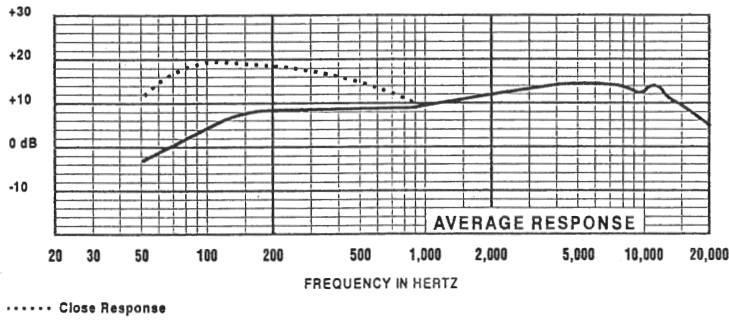


## Technical Specifications:

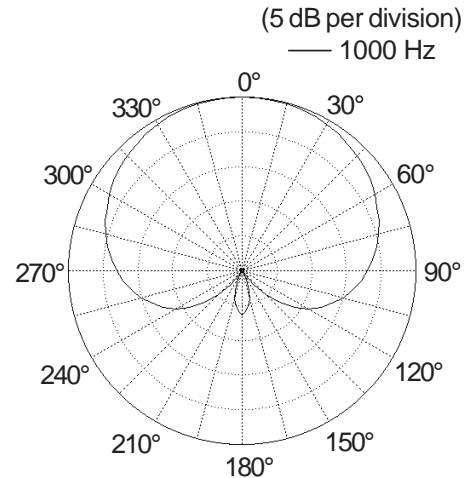
Element:	Dynamic N/DYM magnet structure
Freq. Response, Close:	30 Hz - 22,000 Hz
Freq. Response, Far:	60 Hz - 22,000 Hz
Polar Pattern:	Cardioid
Sensitivity, Open Circuit Voltage @ 1 kHz:	3.0 mV/pascal
Dynamic Range:	144 dB
Equivalent Output Noise:	14 dB A weighted (0 dB = 0.00002 pascal)
Polarity:	Positive pressure on diaphragm causes positive voltage on pin 2 ref. pin 3
Impedance:	350 ohms balanced (low-z)
Microphone Connector:	3 pin XLR type
Finish:	Non-reflecting black
Accessories Included:	Mic Stand Adapter Soft Zippered "Gig" Bag
Dimensions, Length:	7.12" (181 mm)
Diameter:	2.05" (52 mm)
Shank:	0.80" (20 mm)
Net Weight:	9.1 oz (258 g)
Shipping Weight:	18.9 oz (535 g)

The N/D367s also features a noiseless on/off switch, which is useful in giving the speaker/vocalist control of their signal to the mixer.

## Frequency Response:



## Polar Response:



## Microphone Use and Placement

Please note that micing techniques are a matter of personal preference. These are merely guidelines to assist in the placement of the microphone to gain optimal performance.

### Usage

#### Vocals

#### Spoken Word

### Optimal Placement

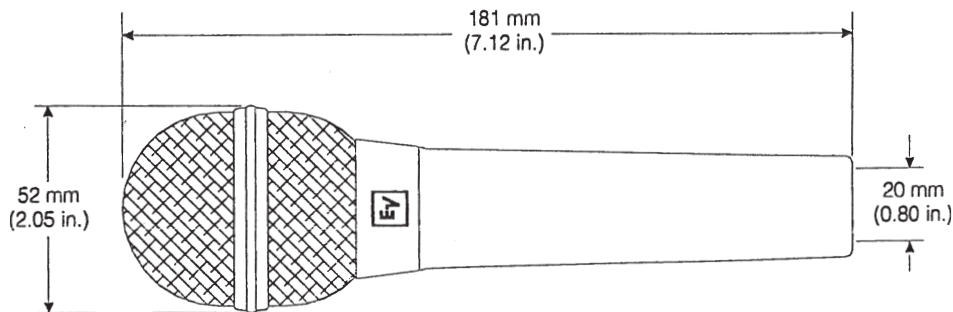
Zero to six inches from the windscreen, and on axis with the microphone.

Five to ten inches from the windscreen, and on axis with the microphone.

## Standard Placement & Use Guidelines

1. Always point the microphone at the desired source of sound, and away from any unwanted sources.
2. The microphone should be located close to the sound source to minimize interference from other potential sound sources.
3. Use the 3-to-1 rule when using multiple microphones. Place each microphone three times farther from other microphones as from the desired sound source.
4. Minimize over-handling of the microphone to reduce unwanted mechanical noise.
5. Working close to the microphone will increase the bass tone and also provide increased gain-before-feedback.

## Dimension Drawing:



**N/D367s Part Number: 301341-000**



12000 Portland Avenue South, Burnsville, MN 55337

Phone: 952/884-4051, Fax: 952/884-0043

[www.electrovoice.com](http://www.electrovoice.com)

© Telex Communications, Inc. 9/2003

Part Number 534569 Rev. D

U.S.A. and Canada only. For customer orders, contact Customer Service at:

**800/392-3497 Fax: 800/955-6831**

Europe, Africa, and Middle East only. For customer orders, contact Customer Service at:

**+ 49 9421-706 0 Fax: + 49 9421-706 265**

Other International locations. For customer orders, contact Customer Service at:

**+ 1 952 884-4051 Fax: + 1 952 736-4212**

For warranty repair or service information, contact the Service Repair department at:

**800/553-5992 or 402/467-5321**

For technical assistance, contact Technical Support at:

**800/392-3497 or 952/736-4656**

Specifications subject to change without notice.