



Electro-Voice®

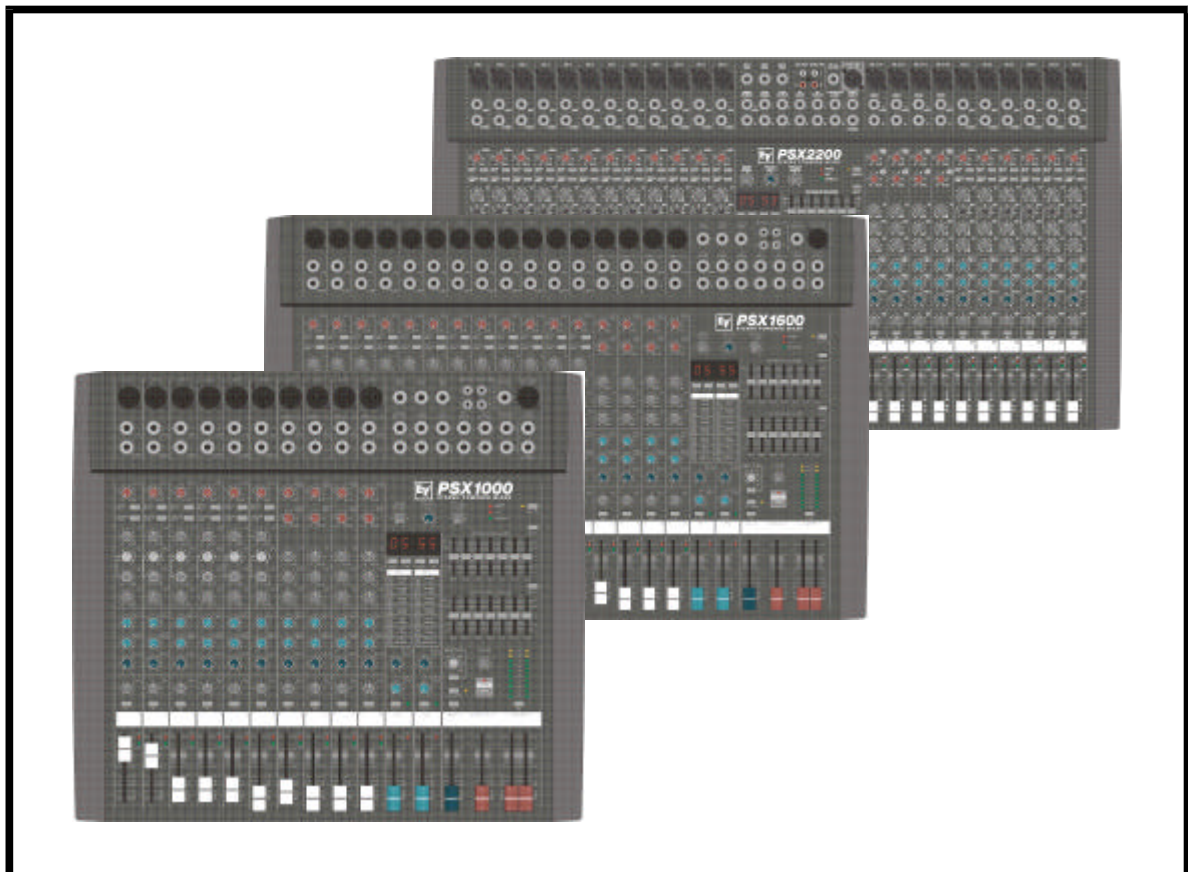
STEREO POWERED MIXER

PSX1000

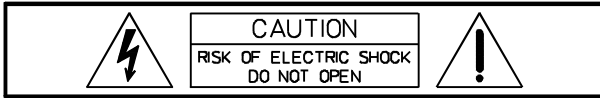
PSX1600

PSX2200

SERVICE MANUAL



IMPORTANT SAFETY INSTRUCTIONS



WARNING: TO REDUCE THE RISK OF FIRE OR ELECTRIC SHOCK,
DO NOT EXPOSE THIS APPLIANCE TO RAIN OR MOISTURE.
AVIS: RISQUÉ DE CHOC ELECTRIQUE. NE PAS OUVRIR.



The lightning flash with arrowhead symbol, within an equilateral triangle is intended to alert the user to the presence of uninsulated "dangerous voltage" within the product's enclosure that may be of sufficient magnitude to constitute a risk of electric shock to persons.



The exclamation point within an equilateral triangle is intended to alert the user to the presence of important operating and maintenance (servicing) instructions in the literature accompanying the appliance.

1. Read these instructions.
2. Keep these instructions.
3. Heed all warnings.
4. Follow all instructions.
5. Do not use this apparatus near water.
6. Clean only with a damp cloth.
7. Do not block any of the ventilation openings.
Install in accordance with the manufactures instructions.
8. Do not install near any heat sources such as radiators, heat registers, stoves, or other apparatus that produce heat.
9. Only use attachments/accessories specified by the manufacturer.
10. Refer all servicing to qualified service personnel. Servicing is required when the apparatus has been damaged in any way, such as power-supply cord or plug is damaged, liquid has been spilled or objects have fallen into the apparatus, the apparatus has been exposed to rain or moisture, does not operate normally, or has been dropped.

For US and CANADA only:

Do not defeat the safety purpose of the grounding-type plug. A grounding type plug has two blades and a third grounding prong. The wide blade or the third prong are provided for your safety. When the provided plug does not fit into your outlet, consult an electrician for replacement of the obsolete outlet.

IMPORTANT SERVICE INSTRUCTIONS

CAUTION: These servicing instructions are for use by qualified personnel only. To reduce the risk of electric shock, do not perform any servicing other than that contained in the Operating Instructions unless you are qualified to do so. Refer all servicing to qualified service personnel.

1. Security regulations as stated in the EN 60065 (VDE 0860 / IEC 65) and the CSA E65 - 94 have to be obeyed when servicing the appliance.
2. Use of a mains separator transformer is mandatory during maintenance while the appliance is opened, needs to be operated and is connected to the mains
3. Switch off the power before retrofitting any extensions, changing the mains voltage or the output voltage.
4. The minimum distance between parts carrying mains voltage and any accessible metal piece (metal enclosure), respectively between the mains poles has to be **3 mm** and needs to be minded at all times.
The minimum distance between parts carrying mains voltage and any switches or breakers that are not connected to the mains (secondary parts) has to be **6 mm** and needs to be minded at all times.
5. Replacing special components that are marked in the circuit diagram using the security symbol (Note) is only permissible when using original parts.
6. Altering the circuitry without prior consent or advice is not legitimate.
7. Any work security regulations that are applicable at the location where the appliance is being serviced have to be strictly obeyed. This applies also to any regulations about the work place itself.
8. All instructions concerning the handling of **MOS** - circuits have to be observed.

Note:  **SAFETY COMPONENT (HAS TO BE REPLACED WITH ORIGINAL PART ONLY)**

WARRANTY (Limited)

Electro-Voice products are guaranteed against malfunction due to defects in materials or workmanship for a specified period, as noted in the individual product-line statement(s) below, or in the individual product data sheet or owner's manual, beginning with the date of original purchase. If such malfunction occurs during the specified period, the product will be repaired or replaced (at our option) without charge. The product will be returned to the customer prepaid.

Exclusions and Limitations: The Limited Warranty does not apply to: (a) exterior finish or appearance; (b) certain specific items described in the individual product-line statement(s) below, or in the individual product data sheet or owner's manual; (c) Malfunction resulting from use or operation of the product other than as specified in the product data sheet or owner's manual; (d): malfunction resulting from misuse or abuse of the product; or (e): malfunction occurring at any time after repairs have been made to the product by anyone other than Electro-Voice or any of its authorized service representatives.

Obtaining Warranty Service: To obtain warranty service, a customer must deliver the product, prepaid, to Electro-Voice or any of its authorized service representatives together with proof of purchase of the product in the form of a bill of sale or receipted invoice. A list of authorized service representatives is available from Electro-Voice at 600 Cecil Street, Buchanan, MI 49107 (616-695-6831) and/or Electro-Voice West at 9130 Glenoaks Boulevard, Sun Valley, CA 91532 (213-875-1900).

Incidental and Consequential Damages Excluded: Product repair or replacement and return to the customer are the only remedies provided to the customer. Electro-Voice shall not be liable for any incidental or consequential damages including, without limitation, injury to persons or property or loss of use. Some states do not allow the exclusion or limitation of incidental or consequential damages so the above limitation or exclusion may not apply to you. **Other Rights:** This warranty gives you specific legal rights, and you may have other rights which vary from state to state.

Electro-Voice Electronics are guaranteed against malfunction due to defects in materials or workmanship for a period of three (3) years from the date of original purchase. Additional details are included in the Uniform Limited Warranty Statement.

Specifications subject to change without notice.

Electro-Voice®

600 Cecil Street, Buchanan, Michigan 49107, Phone 616/695-6831, Fax: 616/695-1304

TELEX/EVI Audio Canada, 705 Progress Ave. Unit 46 Toronto, Ontario, M1H 2x1, Canada, Phone: 800/881-1685, Fax: 877/522-2242

TELEX Communications A.G., Keltenstrasse 11, CH-2563 IPSACH, Switzerland, Phone: 011-41/32-51-6833, Fax: 011-41/32-51-1221

EVI Audio Deutschland GmbH, Hirschberger Ring 45, D-94315, Straubing, Germany, Phone: 011-49/9421-7060, Fax: 011-49/9421-706265

EVI Audio France S.A., Parc de Courcerin-Allee Lech Walesa, Lognes, f-77185 Marne La Vallee, France, Phone: 011-33/1-6480-0090, Fax: 011-33/1-6006-5103

EVI Audio Japan Ltd., 2-5-60 Izumi, Sugunami-ku, Tokyo, Japan 168, Phone: 011-81/3-3325-7900, Fax: 011-81/3-3325-7789

EVI Audio (Aust.) Pty., Unit 24, Block C, Slough Business Park, Slough Ave., Silverwater, N.S.W 2141, Australia, Phone 011-61/2-648-3455,

Fax: 011-61/2-648-5585

EVI Audio (Hong Kong) Limited, Unit E & F, 21 /F., Luk Hop Industrial Bldg., 8 Luk Hop St., San Po Kong, Kowloon, Hong Kong, Phone: 011-852/351-3628,

Fax: 011-852/351-3329

Technical Specifications PM/PSX Mixing desk in rated condition, Unity Gain (MIC Gain 20 dB), all faders position 0 dB, all pots in mid position, Master fader + 6dB, amplifier rated output power into 8 ohms, one channel driven, unless otherwise specified.

	PM/PSX 1000	PM/PSX 1600	PM/PSX 2200
Maximum Midband Output Power , 1 kHz, THD 1% into 4 ohms into 8 ohms	2 x 570 W 2 x 340 W	2 x 570 W 2 x 340 W	2 x 760 W 2 x 430 W
Rated Output Power , 20 Hz ... 20 kHz, THD 0.2% into 4 ohms into 8 ohms	2 x 500 W 2 x 250 W	2 x 500 W 2 x 250 W	2 x 700 W 2 x 350 W
Maximum Output Voltage of power amplifier, no load	58 Vrms	58 Vrms	63 Vrms
THD at 1kHz, MBW=80kHz MIC input to Main L/R output, +16 dBu Power amplifier input to Speaker L/R output	< 0.006% < 0.05%	< 0.006% < 0.05%	< 0.006% < 0.05%
DIM 30 , power amplifier IMD-SMPTE , power amplifier, 60Hz, 7 kHz	< 0.015% < 0.15%	< 0.015% < 0.15%	< 0.015% < 0.15%
Frequency Response , -3dB ref. 1kHz Any input to any Mixer output Any input to Speaker L/R output	15Hz ... 60kHz 30Hz ... 40kHz	15Hz ... 60kHz 30Hz ... 40kHz	15Hz ... 60kHz 30Hz ... 40kHz
Crosstalk , 1kHz Fader and AUX-Send attenuation Channel to channel	> 80 dB > 70 dB	> 80 dB > 70 dB	> 80 dB > 70 dB
CMRR , MIC input, 1kHz	> 80 dB	> 80 dB	> 80 dB
Input Sensitivity , all level controls in max. position MIC Input Line Input (Mono) Line Input (Stereo) Power Amplifier Input	-74 dBu (155 µV) -54 dBu (1.55 mV) -34 dBu (15.5 mV) + 6 dBu (1.55 V)	-74 dBu (155 µV) -54 dBu (1.55 mV) -34 dBu (15.5 mV) + 6 dBu (1.55 V)	-74 dBu (155 µV) -54 dBu (1.55 mV) -34 dBu (15.5 mV) + 6 dBu (1.55 V)
Maximum Level , mixing desk MIC inputs Line inputs All other inputs Record Send output All other outputs	+ 11 dBu + 30 dBu + 20 dBu + 16 dBu + 20 dBu	+ 11 dBu + 30 dBu + 20 dBu + 16 dBu + 20 dBu	+ 11 dBu + 30 dBu + 20 dBu + 16 dBu + 20 dBu
Input Impedances MIC Insert Return EQ Input and 2 Track Return All other inputs	1.8 kohms 2.2 kohms 8 kohms > 15 kohms	1.8 kohms 2.2 kohms 8 kohms > 15 kohms	1.8 kohms 2.2 kohms 8 kohms > 15 kohms
Output Impedances Record Send Phones All other outputs	1 kohms 47 ohms 75 ohms	1 kohms 47 ohms 75 ohms	1 kohms 47 ohms 75 ohms
Equivalent Input Noise , MIC Input, A-weighted 150 ohms Noise , Channel inputs to Main L/R outputs, A-weighted Master fader down Master fader 0 dB, Channel fader down Master fader 0 dB, Channel fader 0 dB, Channel gain unity	-130 dBu -92 dBu -89 dBu -83 dBu	-130 dBu -92dBu -87dBu -81dBu	-130 dBu -92dBu -85dBu -79dBu
Signal/Noise-Ratio , power amplifier, A-weighted	104 dB	104 dB	106 dB
Equalization LO Shelving MID Peaking, mono inputs MID Peaking, stereo inputs HI Shelving Master EQ, 2x7-band		± 15 dB / 60 Hz ± 15 dB / 100 Hz ... 8 kHz ± 12 dB / 2.4 kHz ± 15 dB / 12 kHz ± 10 dB	
Phantom Power	24V DC	24V DC	24V DC
Mains voltage	100V / 120V / 230V / 240V AC / 50-60Hz		
Power Consumption at 1/8 maximum output power, 4 ohms	600 W	670W	1100W
Dimensions , (WxHxD), mm	508.5x210.3x478.7	667.5x210.3x478.7	826.5x210.3x478.7
Weight , including lid	20 kg	24kg	29kg
Optional Goosneck Lamp, 12V/2.4W, 12", XLR	112 700	112 700	112 700
Footswitch FS11	110 693	110 693	110 693
Rack-Mount-Kit(PM/PSX1000) NRS 90220	112 698		

SPECIFICATIONS: PowerMate 1000/1600 and PSX 1000/1600

measuring standards : IEC 268, IHF-A
 level : 0 dBu = 775 mV (RMS) frequency : 1kHz

measuring conditions

- Nominal setting:
 gain controls at UNITY GAIN - 0 dB (20 dB MIC), all faders down (0-position), master fader at +6 dB, all other potentiometer controls at their center position
- Equivalent input noise

input	source impedance	gaincontrol
LINE	50 ohms	unity gain (20dB)
MIC	150 ohms	maximum gain

- Generally, distortion is distinguished as THD+noise. The bandwidth (MBW) is 80 kHz. The mixer is set to nominal output power.

DUT	U(E) at the corresponding input	U(A) at the measured output	frequencies
LINE	+10 dBu	+ 16 dBu	1 kHz, 10 kHz
MIC	- 10 dBu	+ 16 dBu	1 kHz, 10 kHz
Power Amplifier	+ 6 dBu	250 watts / 8 ohms	20 Hz 20 kHz

- Measurement of the frequency response at 20 dB below maximum level.
- Crosstalk and attenuation at nominal setting U (A) - 16 dBu with band pass filter, variable.
- Common mode rejection CMRR (selective with band pass filter, variable).

Input	U(E)	output	gain control
LINE	+ 16 dBu	Main Out	Unity Gain (20dB)
MIC	- 50 dBu	Main Out	Gain max.

POWER SUPPLY

- current: AC
- nominal mains supply: 230 volts (PSX 1000/1600 : 120 volts)
- nominal mains frequency: 50 - 60 Hz
- maximal permissible deviation: -30 % ... +10 %
- power consumption (both channels outputting a 1 kHz sine signal, respectively VDE-noise)

power consumption at RL - 4 ohms	PM/PSX 1000/1600
power consumption, no load	80 ... 120 watts
nominal power consumption	1600 watts
standard power consumption	520 watts
maximum power consumption (THD - 1 %)	1600 watts
power consumption at 1/8 of the maximum output	600 watts
power consumption at 1/3 of the maximum output	850 watts

INPUT CHARACTERISTICS

Mixer at nominal setting, nominal output levels, input sensitivity, gain, channel faders and master faders at maximum.

INPUT	nominal input level (dBu)	input sensitivity	max. input level (dBu)	input impedance	input wiring
MIC	-60 ... -10	-74 dBu (155 µV)	+11	1.8 k ohms	balanced
MONO LINE	-40 ... +10	-44 dBu (4.9 mV)	+30	18 k ohms	balanced
STEREO LINE	-20 ... +10	-34 dBu (15.5 mV)	+30	18 k ohms	balanced
INSERT RET. CHANNEL	0	-	+20	>3.3 k ohms	unbalanced
INSERT RET. MASTER	-6	-	+20	>2.2 k ohms	unbalanced
EQ IN	+6	-	+20	>8 k ohms	balanced
POWER AMP	+6	+6 dBu (1.55 V)	+20	18 k ohms	balanced
2TRACK RET.	+4	-	+14	>8 k ohms	unbalanced
STEREO RET.	0	-	+14	>15 k ohms	balanced

OUTPUT CHARACTERISTICS mixer

OUTPUT	nominal output level (dBu)	max. output level (dBu)	output impedance	output wiring
INSERT SEND CHANNEL	0	+ 20	75 ohms	unbalanced
INSERT SEND MASTER	- 6	+ 20	75 ohms	unbalanced
MAIN OUT	+ 6	+ 20	75 ohms	GND-sense
EQ OUT	+ 6	+ 20	75 ohms	GND-sense
MONO OUT	+ 6	+ 20	75 ohms	GND-sense
AUX ½ SEND	0	+ 20	75 ohms	GND-sense
AUX 3 SEND	0	+ 20	75 ohms	GND-sense
REC. SEND	- 7,8 (-10 dBV)	+ 16	1 k ohm	unbalanced
PHONES	-2 / 200 ohms	+ 18 / 200 ohms	47 ohms	unbalanced
LAMP	12 V DC/2.4 watts	---	---	---

OUTPUT CHARACTERISTICS power amplifier

nominal input voltage at Power Amp In	nominal load impedance	nominal output power, single channel THD < 0.1 %	max. output power, single channel THD = 1 %	max. single channel output power) ¹	nominal output voltage	max. output voltage, no load	max. output voltage THD = 1 %
+ 6 dBu	8 ohms	250 watts	340 watts	360 watts	44.7 V	58 V	53.6 V
+ 6 dBu	4 ohms	500 watts	570 watts	680 watts	44.7 V	58 V	47.7 V

¹ measured with a Dynamic Headroom test signal, according IHF-A: 1 kHz Burst, 20 ms On, 480 ms Off

STABILIZING of the power amplifier

Single channel, standard output voltage

	8 ohms	4 ohms
stabilizing	0.57 %	1 %
stabilizing level	0.05 dB	0.09 dB

FREQUENCY RESPONSE

amplification frequency response (-3 dB dropped below the level of the standard frequency 1kHz):

input	output	f (u) at -3 dB	f (o) at -3 dB
POWER AMP IN	SPEAKER L&R	30 Hz	54 kHz
MIC	MAIN OUT L&R	15 Hz	90 kHz
LINE	SPEAKER L&R	15 Hz	60 kHz
others	all other outputs	15 Hz	80 kHz

distortion-limited transmission range (effective bandwidth) of the power amplifier:

Input	f (u)	f (o)	notes
Power Amp Input	25 Hz	50 kHz	THD -0.4 %, 1/2 nominal output capacity at 4 ohms, MBW - 500 kHz

NON-LINEAR AMPLITUDES (single channel)

power amplifier input = Power Amp In	power amplifier R(L) = 8 ohms	power amplifier R(L) = 4 ohms	notes
nominal overall distortion	< 0.03 % / 0.1 %	< 0.05 % / 0.2 %	MBW=80 kHz, f=1kHz / 10 kHz
standard overall distortion	< 0.03 % / < 0.03 %	< 0.05% / < 0.05 %	MBW=80 kHz, f=1kHz / 10 kHz
IMD-SMPTE	< 0.01 %	< 0.015 %	60 Hz, 7 kHz
DIM 30	< 0.01 %	< 0.015 %	3.15 kHz, 15 kHz
DIM 100	< 0.01 %	< 0.015 %	3.15 kHz, 15 kHz

mixer section	distortion f = 1 kHz	distortion f = 10 kHz	notes
LINE Input -> MAIN OUT	< 0.006 %	< 0.02 %	
LINE Input -> MONO OUT	< 0.006 %	< 0.02 %	
LINE Input -> AUX SEND	< 0.01 %	< 0.02 %	
LINE Input -> EQ OUT	< 0.006 %	< 0.02 %	
MIC Input - INSERT SEND	< 0.002 %	< 0.002 %	
MIC Input - MAIN OUT	< 0.006 %	< 0.02 %	
2TRACK -> MAIN OUT	< 0.006 %	< 0.015 %	
STEREO RET. -> MAIN OUT	< 0.006 %	< 0.015 %	

CROSSTALK AND ATTENUATION

	f = 1kHz	f = 10 kHz	notes
fader attenuation			
MONO CHANNEL	> 80 dB	> 80 dB	
STEREO CHANNEL	> 80 dB	> 80 dB	
MASTER	> 80 dB	> 80 dB	
MONO	> 80 dB	> 80 dB	
AUX/FX	> 80 dB	> 80 dB	
rotary control attenuation			
AUX	> 80 dB	> 65 dB	
PAN (BAL)	> 60 dB	> 60 dB	
2 TRACK RETURN	> 90 dB	> 90 dB	
STEREO RETURN	> 90 dB	> 80 dB	
power-off attenuation			
STANDBY	> 90 dB	> 80 dB	
PFL	> 80 dB	> 70 dB	
crosstalk			
Endstufe L/R	> 100 dB	> 80 dB	Power Amp In
Kanal - Kanal	> 70 dB	> 70 dB	
common mode rejection			
CMRR MIC	> 80 dB	> 60 dB	
CMRR LINE	> 40 dB	> 40 dB	
CMRR STEREO LINE	> 40 dB	> 40 dB	
CMRR MASTER Inputs	> 40 dB	> 40 dB	

NOISE

- U (F) = extraneous voltage, unweighted with B = 22 Hz ... 22 kHz, eff. value (IEC 268-1)
- U (G) = noise voltage, frequency weighting filter according to CCIR-468-3, quasi-peak-rated (IEC 268-1)
- U (A) = interfering voltage A-weighted, dB (A), eff. value (IEC 268-1)
- S/N ratio in relation to maximum output at 4 ohms – 47.7 volts (+35.8 dBu) and interfering voltage A-weighted

measurement	U(F)	U(A)	U(G)	EIN (A)	S/N-Ratio (A)	output	notes
power amplifier	-67 dBu	-69 dBu	-56 dBu	-----	104 dB	SPEAKER OUT	Power Amp In, R(Q) = 50 Ω
residual noise	-90 dBu	-92 dBu	-79 dBu	-----	100 dB	MAIN OUT	MASTER at minimum
total noise							
MASTER PM 1000	-87 dBu	-88 dBu	-75 dBu	-----	-----		MASTER at 0 dB, channel at minimum
PM 1600	-85 dBu	-86 dBu	-73 dBu	-----	-----		
typical mixer noise							
PM	-81 dBu	-83 dBu	-68 dBu	-----	-----		all faders at 0 dB, Unity Gain

1000 PM 1600	-79 dBu	-81 dBu	-67 dBu	-----	-----		
MIC (150 ohms)	-67.5 dBu	-69.5 dBu	-56.5 dBu	130 dBu		INSERT	Gain max.
LINE (50 ohms)	-57 dBu	- 59 dBu	- 46 dBu	100 dBu			Gain max.

power amp **ATTENUATION FACTOR** >200

power amp **SLEW RATE** >20 V/ μ s

INDICATORS

PEAK (channel)	: 6 dB below maximum level
SIGNAL (channel)	: 25 dB below PEAK-indication
MAIN 10-segment	: 27 dB ... +6 dB (measured in dB at the MAIN OUT)
PEAK (FX 1/2)	: 6 dB below maximum level

PHANTOM POWER : 24 volts, commonly switched

SOUND CONTROLS

	LO (shelving)	MID (peaking)	HI (shelving)
MONO (MIC) INPUT	± 15 dB / 60 Hz	± 15 dB 100 Hz ... 8 kHz Q = 1	± 15 dB / 12 kHz
STEREO INPUT	± 15 dB / 60 Hz	± 12 dB / 2.4 kHz Q = 0.7	± 15 dB / 12 kHz

GRAPHIC EQUALIZER (master section)

2 x 7 band: 80 Hz, 250 Hz, 630 Hz, 2.5 kHz, 4 kHz, 8 kHz, 16 kHz; ± 10 dB, Q = 1.4

FILTER

LO-CUT; f = 80 Hz; 18 dB/oct. (monaural inputs)
 VOICING FILTER (monaural inputs)
 FEEDBACK FILTER (AUX3) controllable 80 Hz ... 7.7 kHz / notch / -9 dB

FX-SECTION 2 separately controllable stereo FX-units, 18 bit, UP/DOWN-keys, each with 99 program presets (delay, reverb, modulation, and mixed programs)

DIMENSIONS AND WEIGHT

	PM/PSX 1000 desktop model	PM/PSX 1000 rack mount model	PM/PSX 1600 desktop model
Width	508.5 mm	483 mm	667.5 mm
Height	210.3 mm	443.7 mm (10 H.E.)	210.3 mm
Depth	478.7 mm	195.2 mm	478.7 mm
Weight	20 kg	21.5 kg	24 kg

EXTENSION KITS

NRS 90 220	19" rack-mount-ears for the PM 1000 No. 112 698
DCN 112700	gooseneck lit-light, 12 volts/2.4 watts, 12", XLR-connector
DCN 110693	foot switch FS11

NOTE when mounting the PM 1000 / PSX 1000 in a rack shelf system
 To protect the appliance against thermal overload, a space of at least 2 HU has to be left directly below and above the PM 1000 which can be covered using dummy plates. In case the rack shelf is equipped with front and rear covers, these have to be detached.

MEASUREMENT DATA PM/PSX 1000/1600, complete

measuring conditions:

measurement tolerance:	$\Delta X = \pm 1.5 \text{ dB}$
test frequency:	$f = 1 \text{ kHz}$
reference level:	$U = 775 \text{ mV (0dB)}$
source impedance LINE:	$R(Q) = 50 \Omega$
source impedance MIC:	$R(Q) = 150 \Omega$
load impedance mixer outputs:	$R(L) = 100 \text{ k}\Omega$
load impedance headphones:	$R(L) = 2 \times 200\Omega$
load impedance power amplifier:	$R(L) = 4\Omega, 8\Omega,$
EQ, PAN, BAL controls:	center position
FADER:	0 dB-position
gain controls:	Unity Gain = 0 dB (MIC 20 dB)
AUX, LEVEL controls:	center position
measurement standards:	IEC 268, IHF-A
protection class:	I
test voltage IEC65:	3000 Vrms
U (F) = extraneous voltage	unweighted with B = 22 Hz ... 22 kHz, eff. value (IEC 268)
U (G) = noise voltage	frequency weighting filter according to CCIR-468-3, quasi-peak-rated (IEC 268)
U (A) = interfering voltage	A-weighted, dB (A), eff. value (IEC 268)

• The printed board assembly is provided with service terminals. The assignment of these terminals complies to the following table:

CNSERV 1	Belegung	CNSERV 2	Belegung
1	-Vcc	1	LIM L
2	BIAS + R	2	-15V
3	BIAS - R	3	LIM R
4	FAN-Voltage	4	+5V
5	+Vcc	5	+24V
6	BIAS + L	6	+15V
7	BIAS - L	7	TEMP -Heatsink
8	Temp +Heatsink	8	GND

1. operating voltage:

$U(B) = 230V / 50\text{Hz} \dots 60 \text{ Hz}$

2. critical tolerance (operating voltage):

- 30% +10%

3. power consumption (both channels driven):

	power consumption	current
no load	80....120W	-----
nominal operation (RL = 4 ohms) @ 2 x 470 watts	1600 W	8 A

4. adjustments:

4.1 IDLE-CIRCUIT CURRENT ADJUSTMENT:

A DC-voltammeter has to be connected to the BIAS test points to adjust the idle-circuit current via the trimmer on the printed board assembly 84169. Adjustment of both power amplifier channels L&R.

Adjustment	test point 1	test point 2	U (DC)	BIAS-trimmer
BIAS L	CNSERV1.6	CNSERV1.7	4 mV	VR301
BIAS R	CNSERV1.2	CNSERV1.3	4 mV	VR501

Adjustment of the idle-circuit current has to be performed under normal room temperature conditions. If the power amplifier had been operated before, the appliance has to rest for several hours to cool off.

4.2 VCA - OFFSET:

You have to rhythmically open and short-circuit the CNSERV2.1 and CNSERV2.2 for the left channel respectively the CNSERV2.3 and CNSERV2.2 for the right channel, that are located on the printed board assembly 84169, and adjust the power amplifier output signals for minimal offset, using VR300 respectively VR500 (using an oscillograph it has to be set for minimal peak or for audibly minimal loudness of the interference pulse).

5. function test:

5.1 OUTPUT - offset voltage

DC-voltage measurement at the speaker outputs CHANNEL L/R with $U(\text{DC}) < \pm 10 \text{ mV}$.

5.2 LIMITER:

5.2.1. attenuation test

Drive each channel with a 1 kHz signal until $U(\text{A}) = 50 \text{ volts}$ (no load). Increase the input voltage by 10 dB. The LIMITER LED will light and the output voltage is increased by about 1 dB to 57 volts. The signal is slightly driven into clipping with a distortion rate of the limited signal: $\text{THD} = 1.0 \% \dots 1.5 \%$. Further increasing the input signal up to +20 dBu should not result in excessive higher clipping.

5.2.2. Attack and release

• test the amplifier channels separately: testing should be performed without load resistors.

1.) Drive the power amplifier inputs with a burst signal ($f = 1 \text{ kHz}$, 10 cycles, rate: $_ 0.5 \text{ sec.}$) and $U(\text{E}) = +16 \text{ dBu}$.

2.) Observe the outputted signal via an oscilloscope. After 3 - 4 signal periods, the limiter attenuated the "heavy" distortion in the beginning to a minor rest distortion (THD of $1.0 \% \dots 1.5 \%$).

attack time: 3 - 4 ms

release time: 30 - 40 ms

5.3 CUT-IN DELAY:

After turning on the appliance using the power-on switch, it takes about 2 seconds until the input signal is present on the power amplifier's outputs. The relay E2 on the printed board assembly 85266 bridges the NTC-resistor for limiting the inrush current.

5.4 FAN CONTROL:

When switching the power amplifier on, the internal fan coolers will run for approximately 2 seconds.

Afterwards, they stop, provided that the power amplifier is "cold". During the power amplifier is operated with no load (power on, no input signal), the ventilators switch back and forth between SLOW-mode and OFF-mode, depending on the heat sinks' temperature. When unplugging the CN14 connector, the fans will run on FAST speed. Ventilator-voltage -27 volts DC , measured between CNSERV1.4 and CNSERV2.8.

5.5 SOAR PROTECTION CIRCUIT TEST:

Drive each channel up to 45 volts with a load of $4 _$. Connect a $1 _$ resistor parallel. The protection circuit responds and tries to re-activate continuously! The protect-LED lights. Repeat the test with a load of $2 _$. The power amplifier has to stay in operation.

5.6 SHORT-CIRCUIT CURRENT-LIMITING TEST:

Test the power amplifier channels separately, without load:

- drive the power amplifier inputs with a burst signal ($f = 1 \text{ kHz}$, 10 cycles, rate: $_ 0.5 \text{ sec.}$) and $U(\text{E}) = +6 \text{ dBu}$.

- include an $1 _$ load resistor.

- the short-circuit current-limiting circuitry attenuates the output voltage at the load resistor symmetrically (observe on the oscilloscope) to a peak voltage of $25 \text{ V} - 27 \text{ V}$ (approx. $25 \text{ A} - 27 \text{ A}$ maximum peak current).

5.7 DC-VOLTAGE PROTECTION CIRCUIT TEST:

This test can only be performed when measuring single printed board assemblies.

Test the power amplifier channels separately:

- drive each channel of the power amplifier with a test signal ($f = 4 \text{ Hz}$) applied to the FET Q316 respectively Q516 Drain, without load.

- when reaching an input voltage of approximately 10 dBu, the protection circuit responds and tries to re-activate

continuously! The protect-LED lights.

- Repeat the test using a test signal of $f = 14 \text{ Hz}$. The power amplifier has to stay in operation.

5.8 HIGH FREQUENCY PROTECTION CIRCUIT TEST:

Caution: Operate the power amplifier under all circumstances without load resistors connected. Apply to one power amplifier channel at the time a sine burst of $f = 80 \text{ kHz}$ (40 ms ON, 960 ms OFF) with +20 dBu. The protection circuit has to respond and the power amplifier tries to re-activate continuously. The PROTECT-LED blinks rhythmically. Repeat the test with $f = 50 \text{ kHz}$. The power amplifier has to stay in operation.

6. Level

All level controls within the signal path fully open.

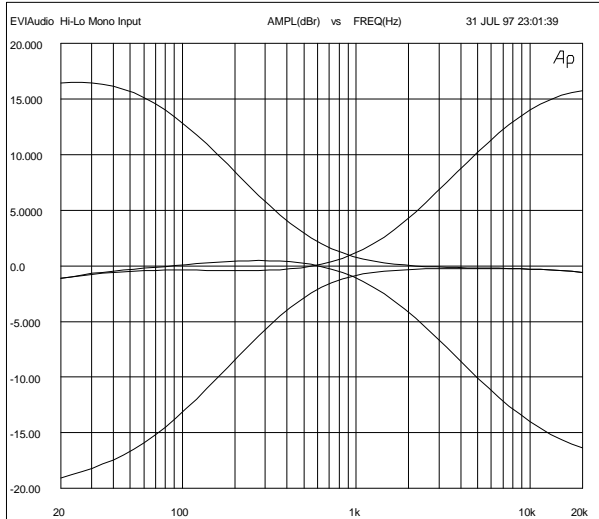
Input	U(E)	Output	U(A)	remarks
MIC Mono	-60 dBu	INSERT Mono	0 dBu	Gain max.
LINE Mono	-54 dBu	SPEAKER L&R	44.7 V	EQ Bypass
INSERT RETURN Mono	-14 dBu	SPEAKER L&R	44.7 V	
MIC Stereo	-60 dBu	MAIN INSERTS	+4 dBu	
LINE Stereo L/Mono	-34 dBu	MAIN OUTPUT L&R	+6 dBu	
LINE Stereo R	-34 dBu	MAIN OUTPUT R	+6 dBu	
STEREO RET. L/Mono	-24 dBu	EQ OUTPUT L&R	+2 dBu	EQ ON
STEREO RET. R	-24 dBu	EQ OUTPUT R	+2 dBu	EQ ON
2 TRACK RET.	-24 dBu	MONO OUTPUT	0 dBu	
LINE Mono	-44 dBu	REC. SEND	0 dBu	
2 TRACK RET.	-20 dBu	AUX3 SEND	-12 dBu	
LINE Mono	-60 dBu	AUX1 SEND	+20 dBu	
LINE Mono	-60 dBu	AUX2 SEND	+20 dBu	
LINE Mono	-60 dBu	AUX3 SEND	+5 dBu	AUX3 PRE
LINE Mono	-60 dBu	AUX3 SEND	+15 dBu	AUX3 POST
LINE Stereo L/Mono	-44 dBu	AUX3 SEND	+0 dBu	AUX3 PRE
LINE Stereo L/Mono	-44 dBu	AUX3 SEND	+8 dBu	AUX3 POST
LINE Stereo L/Mono	-44 dBu	AUX1 SEND	+13 dBu	FX1 off
LINE Stereo L/Mono	-44 dBu	AUX2 SEND	+13 dBu	FX2 off
LINE Mono	-44 dBu	PHONES L&R	+8 dBu	PFL CHANNEL engaged
LINE Stereo L/Mono	-24 dBu	PHONES L&R	+8 dBu	PFL CHANNEL engaged
LINE Stereo L/Mono	-24 dBu	PHONES L&R	+18 dBu	PFL MASTER engaged
LINE Stereo L/Mono	-34 dBu	PHONES L&R	+11 dBu	PFL AUX3 engaged /AUX3 PRE
POWER AMP INPUT L&R	+ 6 dBu	SPEAKER L&R	44.7 V	no distortion

7. Amplitudes and non-linearity

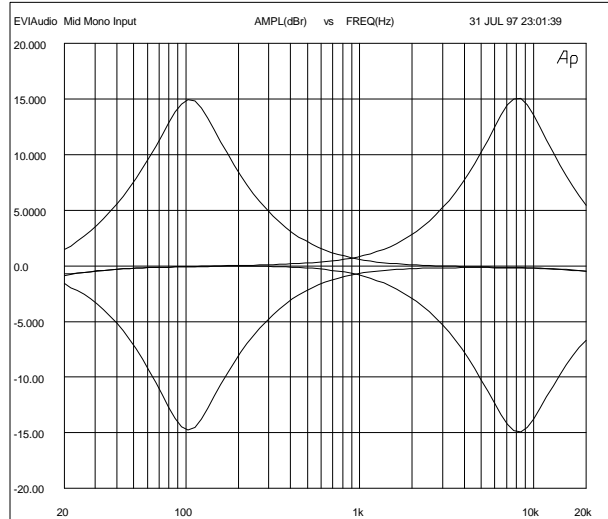
- measurement of the power amplifier with an 8 Ω load resistor, one channel driven.
- MBW = 80 kHz,
- DIM 30: 3.15 kHz, 15 kHz
- SMPTE: 60 Hz, 7 kHz, 4:1

input	output	THD+N @ 1 kHz	THD+N @ 10 kHz	DIM 30	SMPTE	remarks
MIC Mono/Stereo	EQ OUTPUT L&R	<0.005 %	<0.02 %	<0.01 %	<0.01 %	U(A) = 16dBu
LINE Mono	EQ OUTPUT L&R	<0.005 %	< 0.02 %	< 0.01 %	< 0.01 %	U(A) = 10 dBu
LINE STEREO	EQ OUTPUT L&R	<0.005 %	< 0.02 %	< 0.01 %	< 0.01 %	U(A) = 10 dBu
POWER AMP IN	SPEAKER OUT L&R	< 0.03 %	< 0.1 %	< 0.01 %	< 0.01 %	Pab = 250W

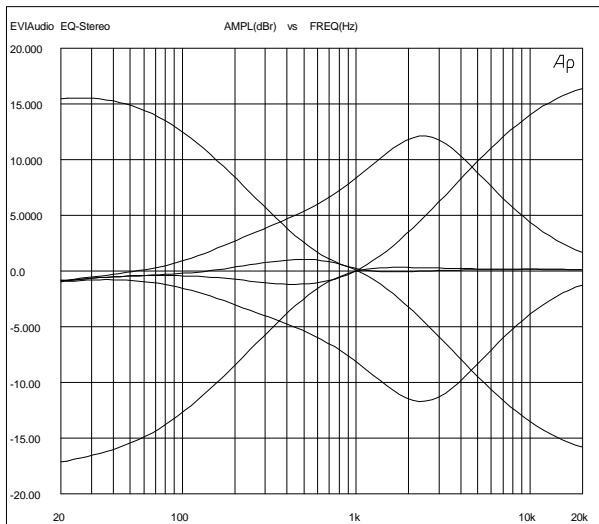
8. Frequency response



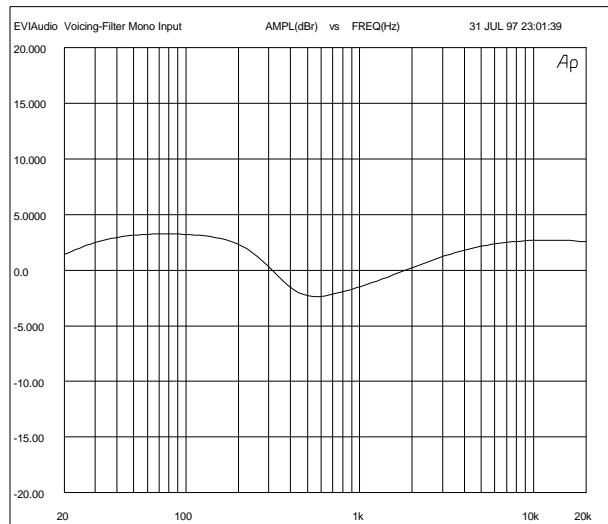
EQ Mono Input HI/LO



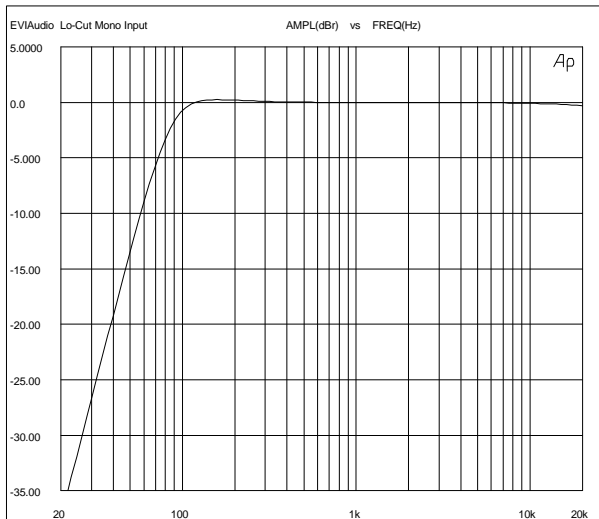
EQ Mono Input MID



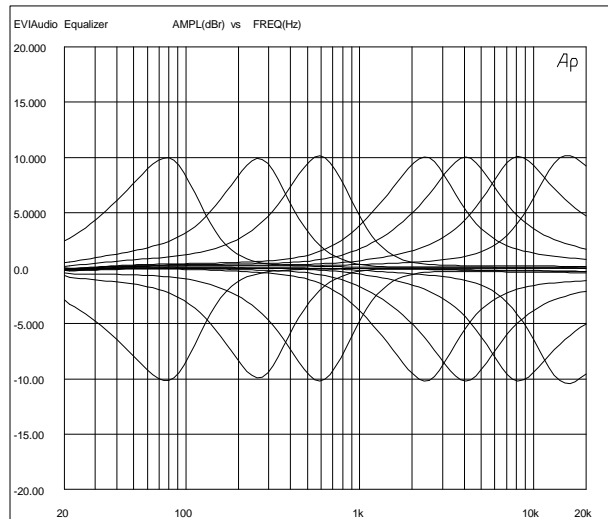
EQ Stereo Input



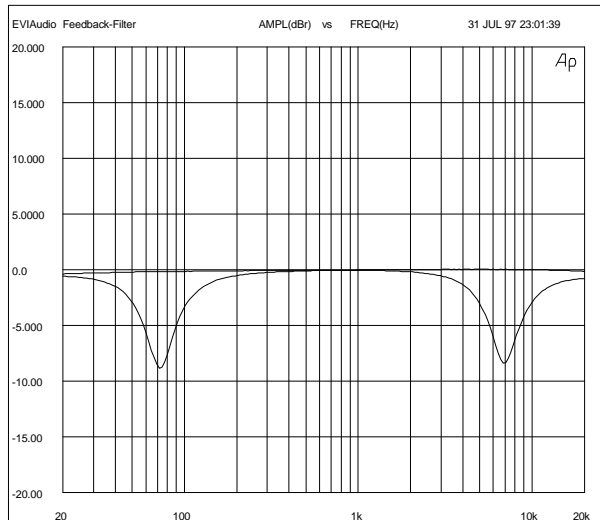
VOICING FILTER Mono Input



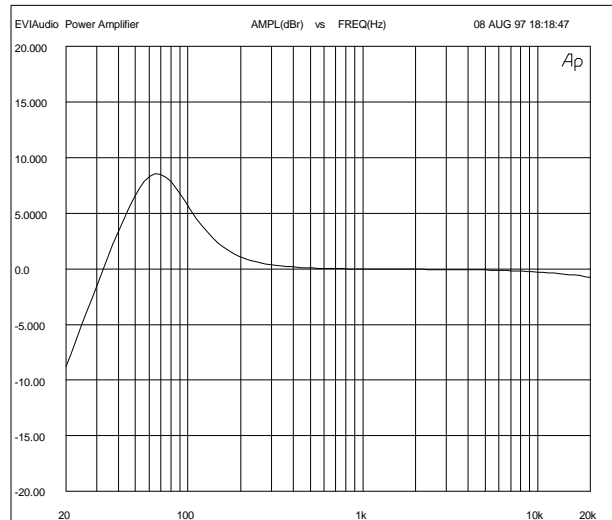
LO-CUT Mono Input



7-BAND EQUALIZER MASTER



FEEDBACK FILTER AUX3



Power Amplifier

8.2 Limit frequencies –3 dB @ 1 kHz

All level controls within the signal path fully open.

Input	Output	f(u)	f(o)
MIC Mono	SPEAKER L&R	40 Hz	45 kHz
MIC Stereo	SPEAKER L&R	40 Hz	45 kHz
LINE Mono	SPEAKER L&R	40 Hz	40 kHz
LINE Stereo	SPEAKER L&R	30 Hz	28 kHz
Power Amp In	SPEAKER L&R	30 Hz	50 kHz
LINE Stereo	AUX3	10 Hz	33 kHz
LINE Stereo	AUX2	12 Hz	33 kHz
LINE Stereo	AUX1	12 Hz	33 kHz
LINE Stereo	MONO OUT	8 Hz	33 kHz
LINE Stereo	REC.SEND	8 Hz	30 kHz
MIC Mono	INSERT SEND	50 Hz	100 kHz

9. Interference noise

- U (F) = extraneous voltage, unweighted with B = 22 Hz ... 22 kHz, eff. value (IEC 268-1)
- U (G) = noise voltage, frequency weighting filter according to CCIR-468-3, quasi-peak-rated (IEC 268-1)
- U (A) = interfering voltage A-weighted, dB (A), eff. value (IEC 268-1)
- S/N ratio in relation to maximum output at 4 ohms – 47.7 volts (+35.8 dBu) and interfering voltage A-weighted

Input	Output	U(F) dBu	U(G) dBu	U(A) dBu	GAIN dB	EIN(A) dBu	S/N- R. dB	Remarks
Power Amp In	SPEAKER L&R	-67	-56	-69	29.2	---	104	Power Amp In R(Q) = 50 Ω
----	EQ OUT	-78	-67	-80	---	---	---	master up, EQ by-pass, channel down
----	EQ OUT	-90	-79	-92	---	---	---	master down, EQ by-pass, channel down
----	EQ OUT	-88	-77	-90	---	---	---	master down, EQ on, channel down
MIC Mono	MAIN	-47	-36	-49	81	130	---	MASTER, CHANNEL and GAIN up, R (Q) = 150 Ω

MIC Mono	MAIN	-74	-63	-75	30	105	---	MASTER, CHANNEL and GAIN down, R (Q) = 150 Ω
MIC Stereo	MAIN	-46	-35	-48	82	130	---	MASTER, CHANNEL and GAIN up
MIC Stereo	MAIN	-71	-60	-73	31	104	---	MASTER and CHANNEL up, GAIN down
LINE Stereo	MAIN	-45	-34	-47	41	88	---	MASTER, CHANNEL and GAIN up
LINE Stereo	MAIN	-71	-60	-73	11	84	---	MASTER and CHANNEL up, GAIN down
LINE Mono	MONO	-62	-51	-64	24	88	---	MONO, MASTER and CHANNEL up, GAIN down
PM1000 PM1600	AUX1	-64 -58	-53 -52	-66 -63	---	---	---	AUX 1, CHANNEL down
PM1000 PM1600	AUX2	-64 -58	-53 -52	-66 -63	---	---	---	AUX 2, CHANNEL down
PM1000 PM1600	AUX3	-71 -67	-60 -56	-73 -69	---	---	---	AUX 3, CHANNEL down, PRE / POST
---	2 TRACK	-94	-84	-96	---	---	---	CHANNEL down

10. operation voltages and service test points

voltage measured at the corresponding pin referred to GND CNSERV2.8

84169	Power Amp	measured in idle condition	interfering voltage and ripple-voltage U (F) rms
CNSERV 1	assignment		
1	-Vcc	-82Vdc	70 mVrms
2-3	BIAS R	4 mV	-----
4	FAN-Voltage	stage 0: 0 volts stage I: 11 volts stage II: 27 volts	-----
5	+Vcc	+82Vdc	70 mVrms
6-7	BIAS L	4 mV	-----
8	Temp +heatsink	variable *1	-----
CNSERV 2			
1	LIM L	-----	-----
2	-15V	-15.5Vdc	250 μVrms
3	LIM R	-----	-----
4	+5V	+5Vdc	40 μVrms
5	+24V	+25Vdc	120 μVrms
6	+15V	+15.5Vdc	250 μVrms
7	TEMP -heatsink	variable *1	-----
8	GND	GND	-----
CN2			
20	LAMP	12.5Vdc	1.5 mVrms

* see also paragraph 11

11. Temperature and heat sink

DC-voltage measured at the corresponding pin referred to GND (CNSERV2.8)

heat sink temperature	25 °C	40°C	60°C	80°C	100°C	120°C	140°C
Udc CNSERV1.8 (+) respectively CNSERV2.7 (-)	2.5 V	4.5 V	7 V	9.5V	11 V	13 V	14V

The critical shut-off point is reached at approx. 130°C; the power amplifier enters the protection mode.

12. Phantom power

When the +24 volts-button is engaged, the measured DC-voltage on pin 2 referred to pin 1, respectively on pin 3 referred to pin 1 of the corresponding XLR-type input connector has to be between +24 ... +26 volts.

13. FX unit

13.1 Level

- AUX1/FX1 respectively AUX2/FX2, AUX3, channel fader, AUX1/FX1 Send respectively AUX2/FX2 Send, FX1 to AUX3 respectively FX2 to AUX3, AUX3 fader, master L&R-fader fully up.
- FX1 ON-switch respectively FX2 ON-switch set to ON. Selected FX-preset 0/0.

Input	U(E)	Output	U(A)	Remarks
MIC MONO	-40 dBu	MAIN OUTPUT L&R	+18 dBu	Gain min.
MIC MONO	-40 dBu	AUX 3 SEND	+15.5 dBu	Gain min. AUX3 PRE.
MIC STEREO	-40 dBu	MAIN OUTPUT L&R	+15 dBu	Gain Mic min.
MIC STEREO	-40 dBu	AUX 3 SEND	+12.5 dBu	Gain Mic min. AUX3 PRE.
Line STEREO L / MONO	-20 dBu	MAIN OUTPUT L&R	+15 dBu	Line Trim min.
Line STEREO L / MONO	-20 dBu	AUX 3 SEND	+12.5 dBu	Line Trim min. AUX3 PRE.
Line STEREO R	-20 dBu	AUX 3 SEND	+6.5 dBu	Line Trim min. AUX3 PRE.
Line STEREO R	-20 dBu	AUX 3 SEND	+6.5 dBu	Line Trim min. AUX3 POST

13.2 Interference noise

- U (F) = extraneous voltage, unweighted with B = 22 Hz ... 22 kHz, eff. value (IEC 268-1)
- U (G) = noise voltage, frequency weighting filter according to CCIR-468-3, quasi-peak-rated (IEC 268-1)
- U (A) = interfering voltage A-weighted, dB (A), eff. value (IEC 268-1)

Output	U(F)	U(G)	U(A)	Remarks
MAIN OUTPUT L&R	-58 dBu	-49 dBu	-60 dBu	MASTER + FX1 respectively FX2 faders max. Prog. 0
AUX 3 SEND	-60 dBu	-52 dBu	-64 dBu	AUX3-fader, FX1 respectively FX2 to AUX3 max. Prog. 0
MAIN OUTPUT L&R	-59 dBu	-49 dBu	-60 dBu	MASTER + FX1 faders max. Prog. 5
MAIN OUTPUT L&R	-58 dBu	-49 dBu	-60 dBu	MASTER + FX2 faders max. Prog.55

13.3 Functioning test

Drive the FX 1 and the FX 2 units. Listen to the signal while switching the presets.

7-segment LED-Display: All bars have to light at the same intensity.

The FX-unit should not introduce extreme digital interference or extensive noise to the audio signal.

During the (ON/OFF) switching of the FX1/2 units, no switching noise should occur.

Switch the FX unit via foot switch.

14. Lit-light connector

Connect a 40 ohms / 10 watts resistor to the pins 2 and 3 of the LAMP-connector. The measured voltage should indicate 12 volts DC.

15. Displays

At the mentioned input-voltage the LED starts lighting. Gain and AUX1/2 controls set to their maximum with a tolerance of ± 2 dB.

Display	Input	U(E) / dBu
SIGNAL of a monaural channel	LINE Mono	- 52
PEAK of a monaural channel	LINE Mono	- 26
SIGNAL of a stereo channel	LINE Stereo L/Mono	- 32
PEAK of a stereo channel	LINE Stereo L/Mono	- 6
PEAK FX1 / FX2	LINE Mono	- 65

The display within the master section indicates the corresponding output level at the MAIN OUT; in dBu. Check the indicated display-value of the MAIN OUT for every LED.

Measured Data

PM2200 / PSX2200

Specifications

Measuring Standards : IEC 268, IHF-A
Level : 0 dBu = 775 mV (RMS)

Measured Frequency: 1kHz

Measuring Conditions

1. Nominal Setting:

Gain control set to UNITY GAIN = 0 dB (20 dB MIC), all faders set to their "0"-position, master fader at + 6 dB, and all potentiometers at their center position.

2. Equivalent Input Noise

Input	Source Impedance	Gain Control
LINE	50 ohms	Unity Gain (20dB)
MIC	150 ohms	Gain max.

3. Distortion is generally measured via THD+Noise. The bandwidth (MBW) is 80 kHz. Mixing Console under nominal condition.

OUT	U(E) at corresponding input	U(A) at measured output	frequencies
LINE	+10 dBu	+ 16 dBu	1 kHz, 10 kHz
MIC	- 10 dBu	+ 16 dBu	1 kHz, 10 kHz
Power Amplifier	+ 6 dBu	350 W / 8 ohms	20 Hz 20 kHz

4. Frequency response measurement at 20 dB below full modulation.

5. Crosstalk and damping at nominal setting U(A) = 16 dBu with variable band-pass filter.

6. Common mode rejection CMRR (selective with band-pass variable)

Input	U(E)	Ausgang	Gain Control
LINE	+ 16 dBu	Main Out	Unity Gain (20dB)
MIC	- 50 dBu	Main Out	Gain max.

POWER SUPPLY

1. Supply Voltage: AC
2. Nominal Supply Voltage PM 2200 112 778 : **230 V**
3. Nominal Supply Voltage PSX 2200 170 104 : **120 V**
4. Nominal Frequency of the Power Supply: 50 - 60 Hz
5. Deviation in Supply Voltage: - 30 % + 10 %
6. Power Consumption (both channels driven with 1 kHz sine signal)

Power Consumption with RL = 4 ohms	PM2200 / PSX2200	Output Power
Idling Power Consumption	130 - 150 W	
Nominal Power Consumption	2060 W	2 x 600 W
Standard Power Consumption	765 W	2 x 60 W
Maximum Power Consumption (THD=1%)	2160 W	2 x 675 W
Power Consumption at 1/3 of the Maximum Output Power	1320 W	2 x 220 W
Power Consumption at 1/8 of the Maximum Output Power	890 W	2 x 85 W
Power Consumption at 1/8 of the Maximum Output Power (at +10% mains)	1100 W	2 x 100 W

INPUT CHARACTERISTICS

Mixer under nominal condition with nominal output level at the mixer outputs and with input sensitivity, gain, channel faders, and master fader set to their maximum position.

INPUT	Nominal Input Level (dBu)	Input Sensitivity	Max. Input Level (dBu)	Input Impedance	Input Balancing
MIC	- 60 ... - 10	-74dBu(155µV)	+ 11	1.8 k ohms	balanced
MONO LINE	- 40 ... + 10	-54dBu(1.55mV)	+ 30	18 k ohms	balanced
STEREO LINE	- 20 ... + 10	-34dBu(15.5mV)	+ 30	18 k ohms	balanced
INSERT RET. CHANNEL	0	-	+ 20	> 3.3 k ohms	unbalanced
INSERT RET. MASTER	- 6	-	+ 20	> 2.2 k ohms	unbalanced
EQ IN	+ 6	-	+ 20	> 8 k ohms	balanced
POWER AMP	+ 6	+6dBu(1.55V)	+ 20	18 k ohms	balanced
2TRACK RET.	+ 4	-9dBu(275mV)	+ 14	> 8 k ohms	unbalanced
STEREO RET.	0	-	+ 14	> 15 k ohms	balanced

OUTPUT CHARACTERISTICS Mixer

OUTPUT	Nominal Output Level (dBu)	Max. Output Level (dBu)	Output Impedance	Output Balancing
INSERT SEND CHANNEL	0	+ 20	75 ohms	unbalanced
INSERT SEND MASTER	- 6	+ 20	75 ohms	unbalanced
MAIN OUT	+ 6	+ 20	75 ohms	GND-Sense
EQ OUT	+ 6	+ 20	75 ohms	GND-Sense
MONO OUT	+ 6	+ 20	75 ohms	GND-Sense
AUX ½ SEND	0	+ 20	75 ohms	GND-Sense
AUX3 SEND	0	+ 20	75 ohms	GND-Sense
REC. SEND	- 7.8 (- 10 dBV)	+ 16	1 k ohms	unbalanced
PHONES	- 2 / 200 ohms	+ 18 / 200 ohms	47 ohms	unbalanced
LAMP	12 V DC/ 2.4 W	---	---	---

OUTPUT CHARACTERISTICS Power Amplifier

Nominal Input Voltage at the Power Amp In	Nominal Load Impedance	Nominal Output Power, Single Channel THD < 0.2%	Maximum Output Power, Single Channel, THD=1%	Maximum Single Channel Output Power)1	Nominal Output Voltage	Maximum Idling Output Voltage	Maximum Output Voltage Dual Channel THD=1%
+ 6 dBu	8 Ω	350 W	430 W	480 W	52.9 V	63 V	2 x 390 W
+ 6 dBu	4 Ω	700 W	760 W	880 W	52.9 V	63 V	2 x 660 W

)1 measured with a **Dynamic Headroom-Test Signal** in compliance to IHF-A: 1 kHz Burst, 20ms On, 480 ms

STABILIZING of the Power Amplifier

Single Channel, Standard Output Voltage

	8 ohms	4 ohms
Stabilizing	0.56 %	1 %
Stabilizing Level	0.05 dB	0.09 dB

FREQUENCY RESPONSES

Amplification Frequency Response (-3 dB drop compared to the level at the standard frequency of 1kHz) :

Input	Output	f (u) b - 3 dB	f (o) - 3 dB
POWER AMP IN	SPEAKER L&R	30 Hz	50 kHz
MIC	MAIN OUT L&R	15 Hz	90 kHz
LINE	SPEAKER L&R	15 Hz	60 kHz
others	all other outputs	15 Hz	60 kHz

Distortion-Limited Transmission Range (Power Bandwidth) Power Amplifier:

Input	f (u)	f (o)	Comments
Power Amp Input	< 15 Hz	> 50 kHz	THD = 1%, 1/2 Nominal Power at 4 ohms, MBW = 500 kHz

AMPLITUDE NON-LINEARITIES (Single Channel)

Power Amplifier Input = Power Amp In	Power Amplifier R(L) = 8 ohms	Power Amplifier R(L) = 4 ohms	Comments
Nominal THD	< 0.03 % / 0.1 %	< 0.05 % / 0.2 %	MBW=80 kHz, f=1kHz / 10 kHz
Standard THD	< 0.03 % / < 0.03 %	< 0.05% / < 0.05 %	MBW=80 kHz, f=1kHz / 10 kHz
IMD-SMPTE	< 0.1 %	< 0.15 %	60 Hz, 7 kHz
DIM 30	< 0.01 %	< 0.015 %	3.15 kHz, 15 kHz
DIM 100	< 0.01 %	< 0.015 %	3.15 kHz, 15 kHz

Mixer Section	Distortion f = 1 kHz	Distortion f = 10 kHz	Comments
LINE Input -> MAIN OUT	< 0.006 %	< 0.02 %	
LINE Input -> MONO OUT	< 0.006 %	< 0.02 %	
LINE Input -> AUX SEND	< 0.01 %	< 0.02 %	
LINE Input -> EQ OUT	< 0.006 %	< 0.02 %	
MIC Input - INSERT SEND	< 0.002 %	< 0.002 %	
MIC Input - MAIN OUT	< 0.006 %	< 0.02 %	
2TRACK -> MAIN OUT	< 0.006 %	< 0.015 %	
STEREO RET. -> MAIN OUT	< 0.006 %	< 0.015 %	

CROSSTALK AND DAMPING VALUES

	f = 1kHz	f = 10 kHz	Comments
Fader Attenuation			
MONO CHANNEL	> 80 dB	> 80 dB	
STEREO CHANNEL	> 80 dB	> 80 dB	
MASTER	> 80 dB	> 80 dB	
MONO	> 80 dB	> 80 dB	
AUX/FX	> 80 dB	> 80 dB	
Control Attenuation			
AUX	> 80 dB	> 65 dB	
PAN (BAL)	> 60 dB	> 60 dB	
2 TRACK RETURN	> 90 dB	> 90 dB	
STEREO RETURN	> 90 dB	> 80 dB	
Switch-Off Attenuation			
STANDBY	> 90 dB	> 80 dB	
PFL	> 80 dB	> 70 dB	
Crosstalk			
Power Amp L/R	> 60dB	> 60 dB	Power Amp In
Channel - Channel	> 70 dB	> 70 dB	
Common Mode Rejection			
CMRR MIC	> 80 dB	> 60 dB	
CMRR LINE	> 40 dB	> 40 dB	
CMRR STEREO LINE	> 40 dB	> 40 dB	
CMRR MASTER Inputs	> 40 dB	> 40 dB	

NOISE INTERFERENCE

- U(F) = extraneous voltage non-weighted with B = 22 Hz ... 22 kHz, effective value (IEC 268-1)
- U(G) = noise voltage, frequency-weighting filter according to CCIR-468-3, quasi peak-weighted (IEC 268-1)
- U(A) = interference voltage A-weighted, dB(A), effective value (IEC 268-1)
- S/N ratio ref. to max. output voltage at 4 ohms = 55.1 V (+37 dBu) and interference voltage A-weighted.

Measured	U(F)	U(A)	U(G)	IN (A)	S/N-Ratio (A)	Output	Comments
Power Amplifier	-66 dBu	-69 dBu	-56 dBu	-----	106 dB	SPEAKER OUT	Power Amp In, R(Q) = 50 Ω
Residual Noise Master	-89 dBu	-92 dBu	-78 dBu	-----	98 dB	MAIN OUT	MASTER down Ref. to +6 dBu
Summed Noise Master	-83 dBu	-85 dBu	-73 dBu	-----	-----	MAIN OUT	MASTER at 0dB, Channel down
Typical Mixer Noise	-77 dBu	-79 dBu	-66 dBu	-----	-----	MAIN OUT	All faders at 0 dB, Unity Gain
MIC (150 ohms)	-67 dBu	-69 dBu	-56 dBu	-130 dBu	-----	INSERT	Gain max. (60dB)
LINE (50 ohms)	-57 dBu	-59 dBu	-46 dBu	-99 dBu	-----	INSERT	Gain max. (40dB)

Power Amplifier **ATTENUATION** > 200

Power Amplifier **SLEW RATE** > 25 V/μs

INDICATORS

PEAK / Channel	: 6 dB below full modulation
SIGNAL / Channel	: 25 dB below PEAK indication
MAIN 10-segment	: 27 dB ... + 6 dB (measured in dBu at the MAIN OUT)
PEAK / FX1/2	: 6 dB below full modulation

PHANTOM POWER : can be switched centrally, 24V

SOUND SHAPING

	LO (shelving)	MID (peaking)	HI (shelving)
MONO (MIC) INPUT	±15 dB / 60 Hz	±15 dB 100 Hz ... 8 kHz Q = 1	±15 dB / 12 kHz
STEREO INPUT	±15 dB / 60 Hz	±12 dB / 2.4 kHz Q = 0.7	±15 dB / 12 kHz

EQUALIZER in the Master Section

2 x 7 Band : 80 Hz, 250 Hz, 630 Hz, 2.5 kHz, 4 kHz, 8 kHz, 16 kHz; ±10 dB, Q = 1.4

FILTER

- LO-CUT; f = 80 Hz; 18dB/oct in monaural input channels
- VOICING FILTER in monaural input channels
- FEEDBACK FILTER in AUX3 controllable 80 Hz ... 7.7 kHz / Notch / - 9 dB

EFFECT UNIT 2 separately controllable stereo effect units, 18-Bit, with UP/DOWN keys, each providing 99 preset programs (delay, reverb, modulation and mixed programs)

DIMENSIONS AND WEIGHT

	PM2200 / PSX2200
Width	826.5 mm
Height	210.3 mm
Depth	478.7 mm
Weight	29 kg

EXTENSIONS

DCN 112700 Gooseneck-Lamp, 12V/2.4W, 12“, XLR
DCN 110693 Footswitch FS11

Measured Data:**Measuring Conditions :**

Measuring Tolerance : $\Delta X = \pm 1.5 \text{ dB}$
 Measuring Frequency : $f = 1 \text{ kHz}$
 All stated levels refer to : $U = 775 \text{ mV (0 dBu)}$
 Source Impedance Line : $R(Q) = 50 \Omega$
 Source Impedance MIC : $R(Q) = 150 \Omega$
 Load Impedance mixer outputs: $R(L) = 100 \text{ k}\Omega$
 Load Impedance headphones: $R(L) = 2 \times 200 \Omega$
 Load Impedance power amplifier: $R(L) = 4 \Omega, 8 \Omega$
 EQ-, PAN-, BAL - controls center position
 FADER 0 dB-position
 Gain Control Unity Gain = 0 dB (MIC 20 dB)
 AUX-, LEVEL – control center position
 Measuring Standards: IEC 268, IHF-A
 Safety Class: I
 Test Voltage IEC65: 3000 Vrms
 U(F) = Extraneous Voltage Non-weighted with B = 22Hz ... 22 kHz, effective value (IEC 268)
 U(G) = Noise Voltage Weighting filter according to CCIR-468-3, quasi peak-weighted (IEC 268)
 U(A) = Interference Voltage A-weighted, dB(A), effective value (IEC 268)

- The printed board assembly 84198 provides service connectors with the following pin-assignment:

CNSERV 1	Pin-Assignment	CNSERV 2	Pin-Assignment
1	-Vcc	1	LIM L
2	BIAS + R	2	-15V
3	BIAS - R	3	LIM R
4	FAN-Voltage	4	+5V
5	+Vcc	5	+24V
6	BIAS + L	6	+15V
7	BIAS - L	7	TEMP – heat sink
8	+ 12V (Lamp)	8	GND

1. Operating Voltages:

PM2200	Europe	U(B) = 230V / 50Hz ... 60 Hz
PM2200	USA	U(B) = 120V / 50Hz ... 60 Hz
PM2200	Japan	U(B) = 100V / 50Hz ... 60 Hz
PM2200	Australia	U(B) = 240V / 50Hz ... 60 Hz
PSX2200	only U.S.A.	U(B) = 120V / 50Hz ... 60 Hz

2. Operating Voltage Deviation Range: - 30% +10%

3. Power and Current Consumption (both channels driven):

	PM2200	PSX2200
	Power Consumption	Current Consumption
Idling	130...150 W	-----
Nominal Operation (RL=40hm) @ 2 x 660 W	2160 W	9.4 A / 230 V
		18 A / 120 V

4. Settings /Adjustments :

4.1. IDLING CURRENT ADJUSTMENT :

Connect the DC-volt meter at the BIAS measuring points (refer to table) and adjust the idling current via the trim potentiometer (on the printed board assembly 84198). Adjust both power amplifier channels L&R.

Adjustment	Measuring Point 1	Measuring Point 2	U (DC)	BIAS Trimmer
BIAS L	CNSERV1.6	CNSERV1.7	7.5 mV	VR301
BIAS R	CNSERV1.2	CNSERV1.3	7.5 mV	VR501

Adjusting the idling current has to be performed at normal room temperature. If the power amplifier had previously been operated, it has to be given several hours to regain normal temperature.

4.3. VCA - OFFSET:

Rhythmically open and short-circuit CNSERV2.1 and CNSERV2.2 for the left channel and CNSERV2.3 and CNSERV2.2 for the right channel. The CNSERVs are located on the printed board assemblies 84198. Use VR300 respectively VR500 to adjust the power amplifier outputs to their minimum offset (with oscilloscope to minimal peak value or to the audible minimum volume of the interfering pulse).

5. Function test :

5.1. OUTPUT – Offset Voltage

DC-measurement at the loudspeaker outputs L / R with $U(\text{DC}) \leq \pm 10\text{mV}$.

5.2. LIMITER

5.2.1. Attenuation test

Both channels separately driven with a 1 kHz signal and up to $U(A) = 56 \text{ V}$ (without load). Increase the input voltage by 10 dB. The LIMITER LED lights and the output voltage ascends by approximately 1 dB to approximately 63 V; slightly clipping. The distortion rate of the limited signal is at $\text{THD} = 1.0 \dots 1.5 \%$. Further increasing the input signal up to a value of + 20 dBu should not result in remarkably higher clipping.

5.2.2. Attack and Release Times

- Tests have to be performed individually for both channels of the power amplifier: testing has to be performed without load resistors connected.

1.) Drive the power amplifier with a burst signal ($f = 1\text{kHz}$, 10 cycles, rate : $\approx 0.5 \text{ sec.}$) and $U(E) = +16\text{dBu}$ at the Power Amp Input.

2.) Monitor the output signal via oscilloscope. After 3 to 4 signal periods, the limiter has controlled the major distortion down to a minor residual distortion ($\text{THD} = 1\% \dots 1.5 \%$).

Attack Time : 3 - 4 ms

Release Time: 30 - 40 ms

5.3 POWER-ON DELAY :

Make sure that the signal is present at the power amplifier input. Switch the power amplifier via the Power-On switch on. Approximately 2 seconds after switching the power on, the signal will be present at the output.

The relay E2 that is located on the Mains-PCB bridges the NTC-resistor controlling the initial inrush current limiter.

5.4 FAN CONTROL :

Upon switching on the power amplifier, the fans will run for approximately 2 seconds and stop when the power amplifier has regained its "normal" temperature. In idling condition (power-on, no signal present) the fans are switched between SLOW and OFF mode, depending on the heat sink's temperature. Removing the connector CN14 lets the fans run in FAST mode. Measuring the fan voltage of approximately 30 VDC has to be performed between CNSERV1.4 and CNSERV2.6.

5.5. SOAR-PROTECTION TEST :

Channels separately driven up to 53V at 4 Ω . Parallel-connect an 1 Ω resistor. The protection circuit reacts and tries continuously to re-start! The protect-LED lights. Repeat the test with a 2 ohms resistor. The power amplifier should not switch off.

5.6. SHORT-CIRCUIT CURRENT-LIMITING TEST :

Testing has to be performed for both channels of the power amplifier individually and without load:

- drive each channel with a burst signal ($f = 1\text{kHz}$, 1-3 cycles, rate: $\approx 1 \text{ sec.}$), with $U(E) = +10\text{dBu}$
- connect a load resistor of 1 ohm.

- the short-circuit current-limiter limits the output voltage at the load resistor symmetrically (monitor via oscilloscope) to a peak voltage value of 32 V (approximately 32 A max. Peak Output Current).

5.7. DC-VOLTAGE PROTECTION TEST :

Only possible when testing a single printed board assembly

Test both power amplifier channels individually:

- Feed the power amplifier with a test signal ($f = 4 \text{ Hz}$) at FET Q 316, respectively Q 516 Drain and drive the corresponding channel without load resistor connected.
- Starting at an input voltage of approximately +10 dBu, the protection circuit reacts and tries continuously to re-start! The Protect-LED lights.
- Repeat the test with $f = 14 \text{ Hz}$. The power amplifier should not switch off.

5.8. HF-PROTECTION TEST :

Caution: Perform this test only without load resistors connected to the power amplifier. Feed a +20 dBu sine burst signal $f = 80 \text{ kHz}$ (40ms ON, 960 ms OFF) to each channel of the power amplifier. The protection circuit has to react. The power amplifier tries to re-start continuously. The PROTECT-LED blinks in the same pulse. Repeat the test with $f = 50 \text{ kHz}$. The power amplifier should not switch off.

6. Level

All level controls within the signal path set to fully open.

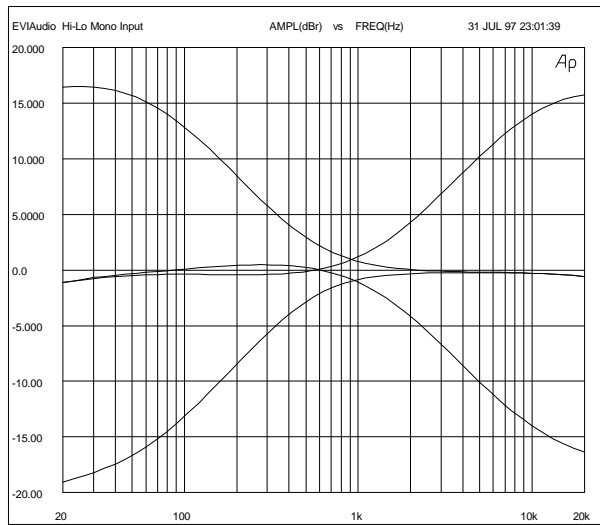
Input	U(E)	Output	U(A)	Comments
MIC Mono	-60 dBu	INSERT Mono	0 dBu	Gain max. (60 dB)
LINE Mono	-54 dBu	SPEAKER L&R	52.9 V	EQ Bypass
INSERT RETURN Mono	-14 dBu	SPEAKER L&R	52.9 V	
MIC Stereo	-60 dBu	MAIN INSERTS	+4 dBu	
LINE Stereo L/Mono	-34 dBu	MAIN OUTPUT L&R	+6 dBu	
LINE Stereo R	-34 dBu	MAIN OUTPUT R	+6 dBu	
STEREO RET. L/Mono	-24 dBu	EQ OUTPUT L&R	+2 dBu	EQ ON
STEREO RET. R	-24 dBu	EQ OUTPUT R	+2 dBu	EQ ON
2 TRACK RET.	-24 dBu	MONO OUTPUT	1 dBu	
LINE Mono	-44 dBu	REC. SEND	-1 dBu	
2 TRACK RET.	-20 dBu	AUX3 SEND	-12 dBu	
LINE Mono	-60 dBu	AUX1 SEND	+20 dBu	
LINE Mono	-60 dBu	AUX2 SEND	+20 dBu	
LINE Mono	-60 dBu	AUX3 SEND	+5 dBu	AUX3 PRE
LINE Mono	-60 dBu	AUX3 SEND	+15 dBu	AUX3 POST
LINE Stereo L/Mono	-44 dBu	AUX3 SEND	+0 dBu	AUX3 PRE
LINE Stereo L/Mono	-44 dBu	AUX3 SEND	+8 dBu	AUX3 POST
LINE Stereo L/Mono	-44 dBu	AUX1 SEND	+13 dBu	FX1 off
LINE Stereo L/Mono	-44 dBu	AUX2 SEND	+13 dBu	FX2 off
LINE Mono	-44 dBu	PHONES L&R	+8 dBu	PFL CHANNEL pressed
LINE Stereo L/Mono	-24 dBu	PHONES L&R	+8 dBu	PFL CHANNEL pressed
LINE Stereo L/Mono	-24 dBu	PHONES L&R	+17 dBu	PFL MASTER pressed
LINE Stereo L/Mono	-34 dBu	PHONES L&R	+11 dBu	PFL AUX3 pressed / AUX3 PRE
POWER AMP INPUT L&R	+ 6 dBu	SPEAKER L&R	52.9 V	Signal without distortion

7. Amplitude – Non-Linearity

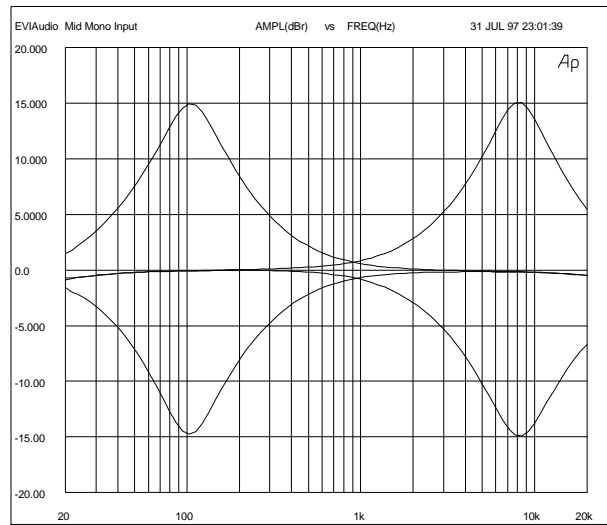
- Measuring the power amplifier with 8 ohms load resistor connected and driving a single channel
- MBW = 80 kHz,
- DIM 30: 3.15 kHz, 15 kHz
- SMPTE: 60 Hz, 7 kHz, 4:1

Input	Output	THD+N at 1kHz	THD+N at 10kHz	DIM 30	SMPTE	Comments
MIC Mono/Stereo	EQ OUTPUT L&R	<0.005 %	<0.02 %	<0.01 %	<0.01 %	U(A) = 16dBu
LINE Mono	EQ OUTPUT L&R	<0.005 %	< 0.02 %	< 0.01 %	< 0.01 %	U(A) = 10 dBu
LINE STEREO	EQ OUTPUT L&R	<0.005 %	< 0.02 %	< 0.01 %	< 0.01 %	U(A) = 10 dBu
POWER AMP IN	SPEAKER OUT L&R	< 0.03 %	< 0.1 %	< 0.01 %	< 0.1 %	Pab = 350W

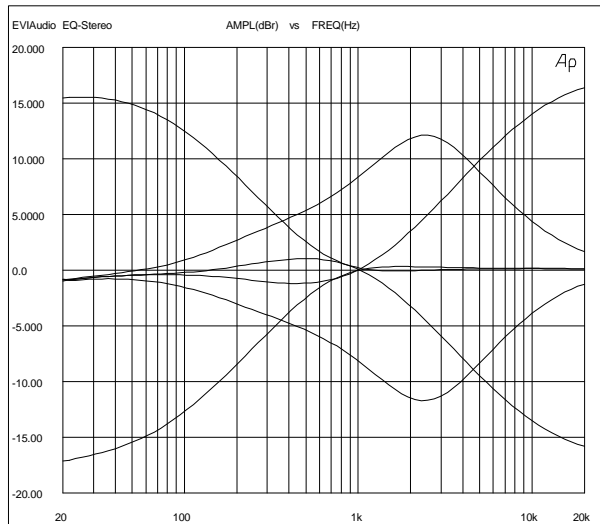
8. Frequency Response



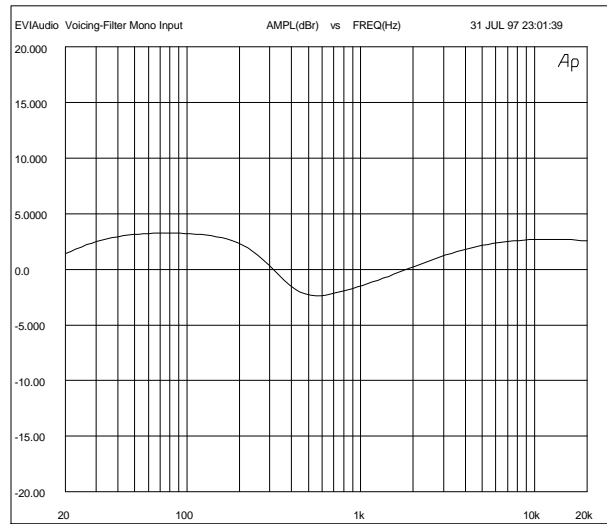
EQ Mono Input HI/LO



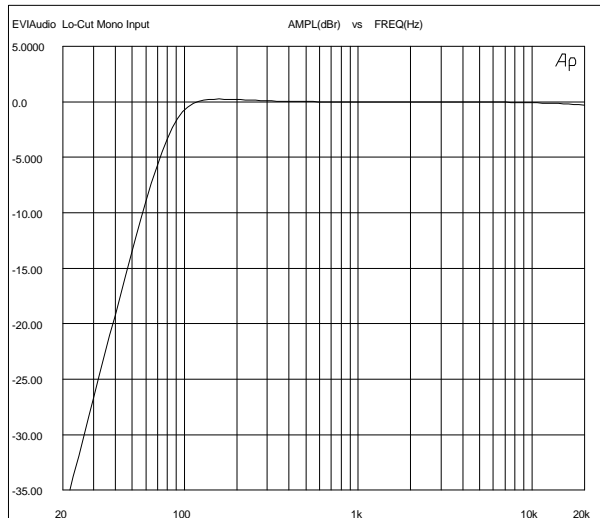
EQ Mono Input MID



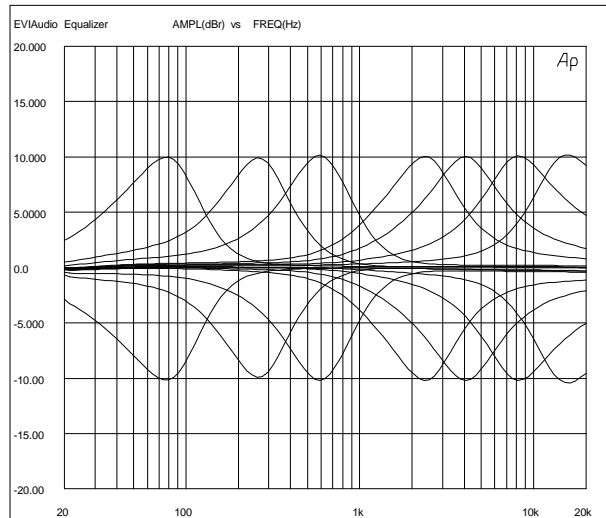
EQ Stereo Input



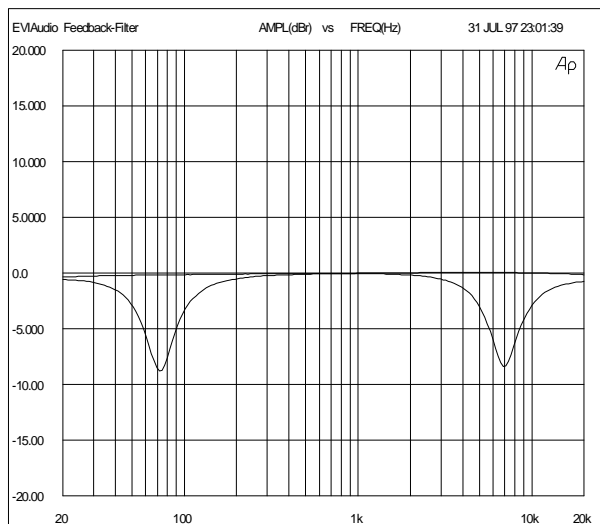
VOICING FILTER Mono Input



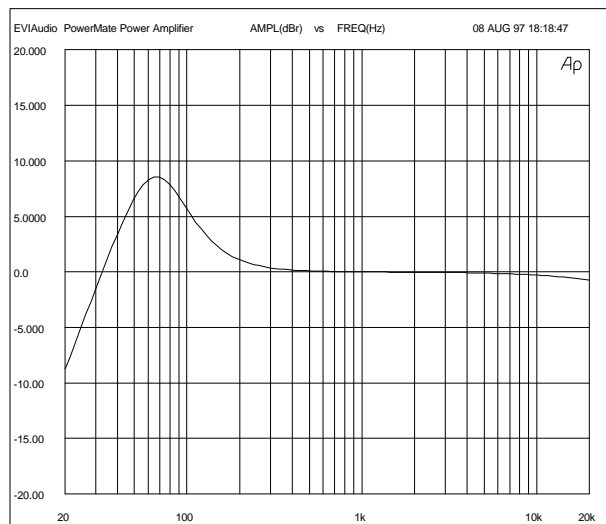
LO-CUT Mono Input



7-BAND EQUALIZER MASTER



FEEDBACK FILTER AUX3



Power Amplifier

8.2. Frequency Response Margins - 3 dB @ 1 kHz

All level controls within the signal path set to fully open

Input	Output	f(u)	f(o)
MIC Mono	SPEAKER L&R	40 Hz	45 kHz
MIC Stereo	SPEAKER L&R	40 Hz	45 kHz
LINE Mono	SPEAKER L&R	40 Hz	40 kHz
LINE Stereo	SPEAKER L&R	30 Hz	28 kHz
Power Amp In	SPEAKER L&R	30 Hz	50 kHz
LINE Stereo	AUX3	10 Hz	33 kHz
LINE Stereo	AUX2	12 Hz	33 kHz
LINE Stereo	AUX1	12 Hz	33 kHz
LINE Stereo	MONO OUT	8 Hz	33 kHz
LINE Stereo	REC.SEND	8 Hz	30 kHz
MIC Mono	INSERT SEND	50 Hz	100 kHz

9. Noise Interference

- U(F) = extraneous voltage non-weighted with B = 22 Hz ... 22 kHz, effective value (IEC 268-1)
- U(G) = noise voltage, frequency-weighting filter according to CCIR-468-3, quasi peak-weighted (IEC 268-1)
- U(A) = interference voltage A-weighted, dB(A), effective value (IEC 268-1)
- S/N ratio ref. to max. output voltage at 4 ohms = 55.1 V (+37 dBu) and interference voltage A-weighted.

Input	Output	U(F) dBu	U(G) dBu	U(A) dBu	GAIN dB	EIN(A)) dBu	S/N-R. dB	Comments
Power Amp In	SPEAKER L&R	-66	-56	-69	30.2	---	106	Power Amp In R(Q) = 50 Ω
----	EQ OUT	-75	-64	-77	---	---	---	Master open, EQ Bypass, Channel down
----	EQ OUT	-90	-79	-92	---	---	---	Master, EQ Bypass, Channel down
----	EQ OUT	-88	-77	-90	---	---	---	Master down, EQ On, Channel down
MIC Mono	MAIN OUT	-47	-36	-49	81	-130	---	MASTER, CHANNEL and Gain open R(Q) = 150 Ω
MIC Mono	MAIN OUT	-72	-61	-74	30	-104	---	MASTER, CHANNEL open and Gain down R(Q) = 150 Ω
MIC Stereo	MAIN OUT	-45	-34	-48	82	-130	---	MASTER, CHANNEL and Gain open R(Q) = 150 Ω
MIC Stereo	MAIN OUT	-70	-59	-72	31	-103	---	MASTER, CHANNEL open and Gain down R(Q) = 150 Ω
LINE Stereo	MAIN OUT	-45	-34	-47	41	-88	---	MASTER, CHANNEL and Gain open
LINE Stereo	MAIN OUT	-71	-60	-73	11	-84	---	MASTER, CHANNEL open and Gain down
LINE Mono	MONO OUT	-61	-50	-63	24	-87	---	MONO, MASTER, CHANNEL open and Gain down
	AUX1	-59	-49	-62	---	---	---	AUX1, CHANNEL down
	AUX2	-59	-49	-62	---	---	---	AUX2, CHANNEL down
	AUX3	-66	-54	-68	---	---	---	AUX3, CHANNEL down, PRE / POST
	2 TRACK	-92	-81	-95	---	---	---	CHANNEL down

10. Operating Voltages and Service Measuring Points

Voltages measured at the corresponding pin to GND CNSERV2.8

84198	Power Amp	Measured in Idling Condition	Interference and Ripple Voltage U(F)rms	
CNSERV 1	Assignment		without mixer section	including mixer section
1	-Vcc	-90 Vdc	55 mVrms	70 mVrms
2-3	BIAS R	7.5 mV		
4	FAN-Voltage	Stage 0: +15 V Stage I: -2.5 V Stage II: -15 V		
5	+Vcc	+90 Vdc	55 mVrms	70 mVrms
6-7	BIAS L	7.5 mV		
8	+ 12V (Lamp)	11.5 - 12.5 Vdc	300 μV	10 mVrms (60)
CNSERV 2				
1	LIM L			
2	-15V	-15.5Vdc	50 μVrms	150 μVrms
3	LIM R			
4	+5V	+5Vdc	50 μVrms	1.5 mVrms
5	+24V	+25Vdc	550 μVrms	
6	+15V	+15.5Vdc	50 μVrms	150 μVrms
7	TEMP – heat sink	variable *1		
8	GND	GND		

*1 refer to 11.

11. Heat Sink Temperature

DC- Voltages measured at the corresponding pin to GND (CNSERV2.8)

Heat Sink Temperature	25 °C	40°C	60°C	80°C	100°C	120°C	140°C
CNSERV2.7	1.5 V	2.8 V	5.2 V	8.2 V	10.5 V	12.5 V	13.5V

The switch-off point is at approx. 130 °C. The power amplifier enters Protect-Mode.

12. Phantom Power

When the “+24 V”-key is pressed, DC-voltages of + 24 ... + 26 Volt should be present at the corresponding XLR-type input connector between Pin 2 and Pin 1, respectively between Pin 3 and Pin 1.

13. Effect Unit

13.1 Level

- AUX1/FX1 respectively AUX2/FX2, AUX3, channel fader, AUX1/FX1 Send respectively AUX2/FX2 Send, FX1 to AUX3 respectively FX2 to AUX3, AUX3 fader, Master L&R fader fully open.
- FX1 ON switch respectively FX2 ON switch set to ON and effect program 0 / 0 selected.

Input	U(E)	Output	U(A)	Comments
MIC MONO	-40 dBu	MAIN OUTPUT L&R	+18 dBu	Gain min.
MIC MONO	-40 dBu	AUX 3 SEND	+15 dBu	Gain min. AUX3 PRE.
MIC STEREO	-40 dBu	MAIN OUTPUT L&R	+15 dBu	Gain Mic min.
MIC STEREO	-40 dBu	AUX 3 SEND	+12 dBu	Gain Mic min. AUX3 PRE.
Line STEREO L / MONO	-20 dBu	MAIN OUTPUT L&R	+15 dBu	Line Trim min.
Line STEREO L / MONO	-20 dBu	AUX 3 SEND	+12 dBu	Line Trim min. AUX3 PRE.
Line STEREO R	-20 dBu	AUX 3 SEND	+6 dBu	Line Trim min. AUX3 PRE.
Line STEREO R	-20 dBu	AUX 3 SEND	+6 dBu	Line Trim min. AUX3 POST

13.2 Noise Interference

- U(F) = extraneous voltage non-weighted with B = 22 Hz ... 22 kHz, effective value (IEC 268-1)
- U(G) = noise voltage, frequency-weighting filter according to CCIR-468-3, quasi peak-weighted (IEC 268-1)
- U(A) = interference voltage A-weighted, dB(A), effective value (IEC 268-1)

Output	U(F)	U(G)	U(A)	Comments
MAIN OUTPUT L&R	-58 dBu	-49 dBu	-60 dBu	MASTER and FX1 respectively FX2 fader max. Program 0
AUX 3 SEND	-60 dBu	-52 dBu	-64 dBu	AUX3 fader, FX1 respectively FX2 to AUX3 max. Program 0
MAIN OUTPUT L&R	-59 dBu	-49 dBu	-60 dBu	MASTER and FX1 fader max. Prog. 5
MAIN OUTPUT L&R	-58 dBu	-49 dBu	-60 dBu	MASTER and FX2 fader max. Prog.55

13.3 Function Test:

Modulate effect units FX1 and FX2 and monitor the signal while changing the programs.
 7-segment LED-display: All graphs have to be displayed with equal brightness.
 The effect unit should not generate digital noise or excessive analog noise in the audio band.
 Switching the effects on and off via FX1/2 ON/OFF should not result in switching noise.
 Switch the effect on and off via footswitch.

14. Lamp Output

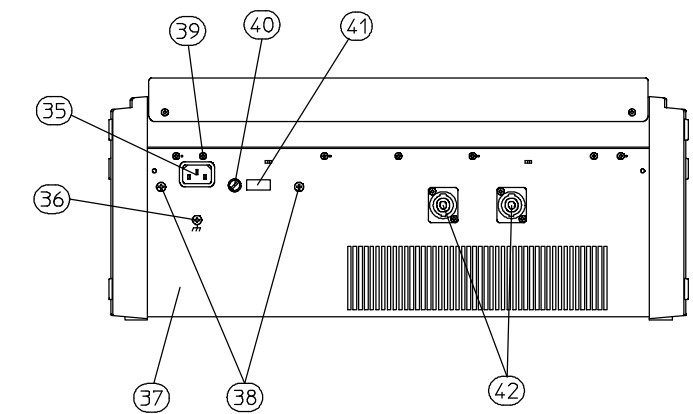
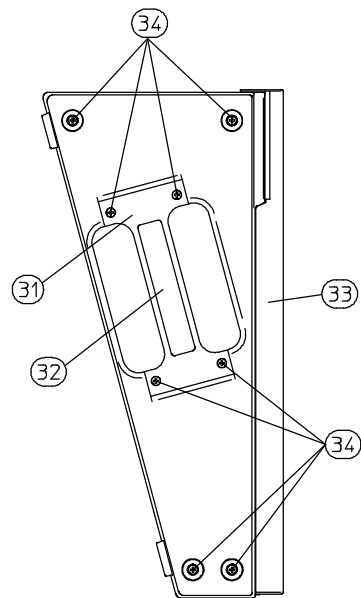
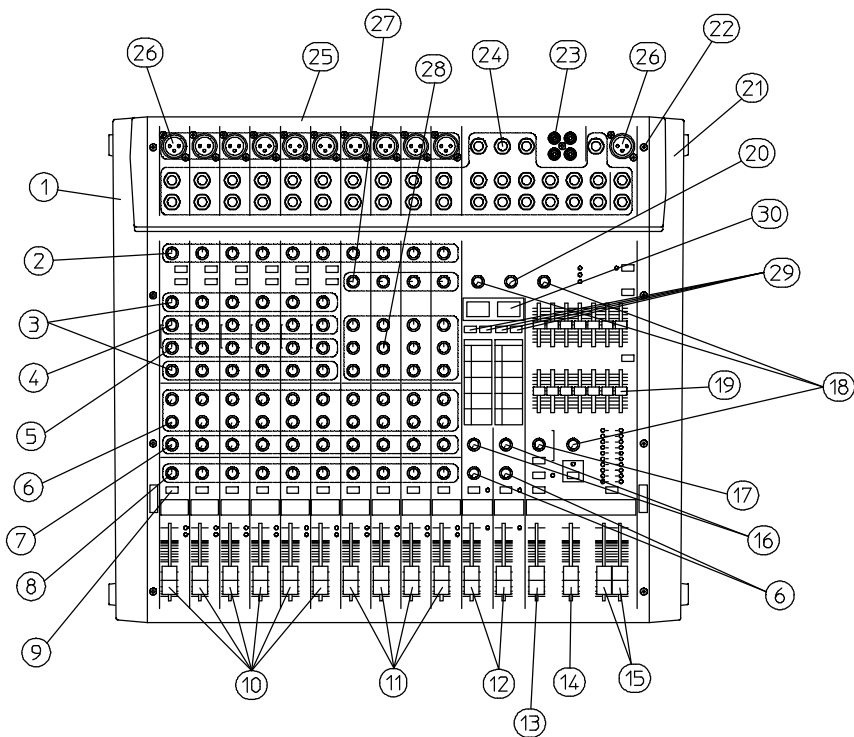
Connect a load of 60 ohms / 10 watts between Pin 2 and Pin 3 of the XLR-type connector “LAMP”.
 A voltage of approximately 12VDC should be measured.

15. Indicators

With the mentioned input voltage applied, the LED begins to light. Gain and AUX1/2 controls set to their maximum position with a tolerance of ± 2 dB.

Indicator	Input	U(E) / dBu
SIGNAL in the Mono channel	LINE Mono	- 52
PEAK in the Mono channel	LINE Mono	- 26
SIGNAL in the Stereo channels	LINE Stereo L/Mono	- 32
PEAK in the Stereo channels	LINE Stereo L/Mono	- 6
PEAK FX1/FX2	LINE Mono	- 65

The display in the master section directly indicates the corresponding output level of the MAIN OUT in dBu. Check the indicated display value of the MAIN OUT for each LED.

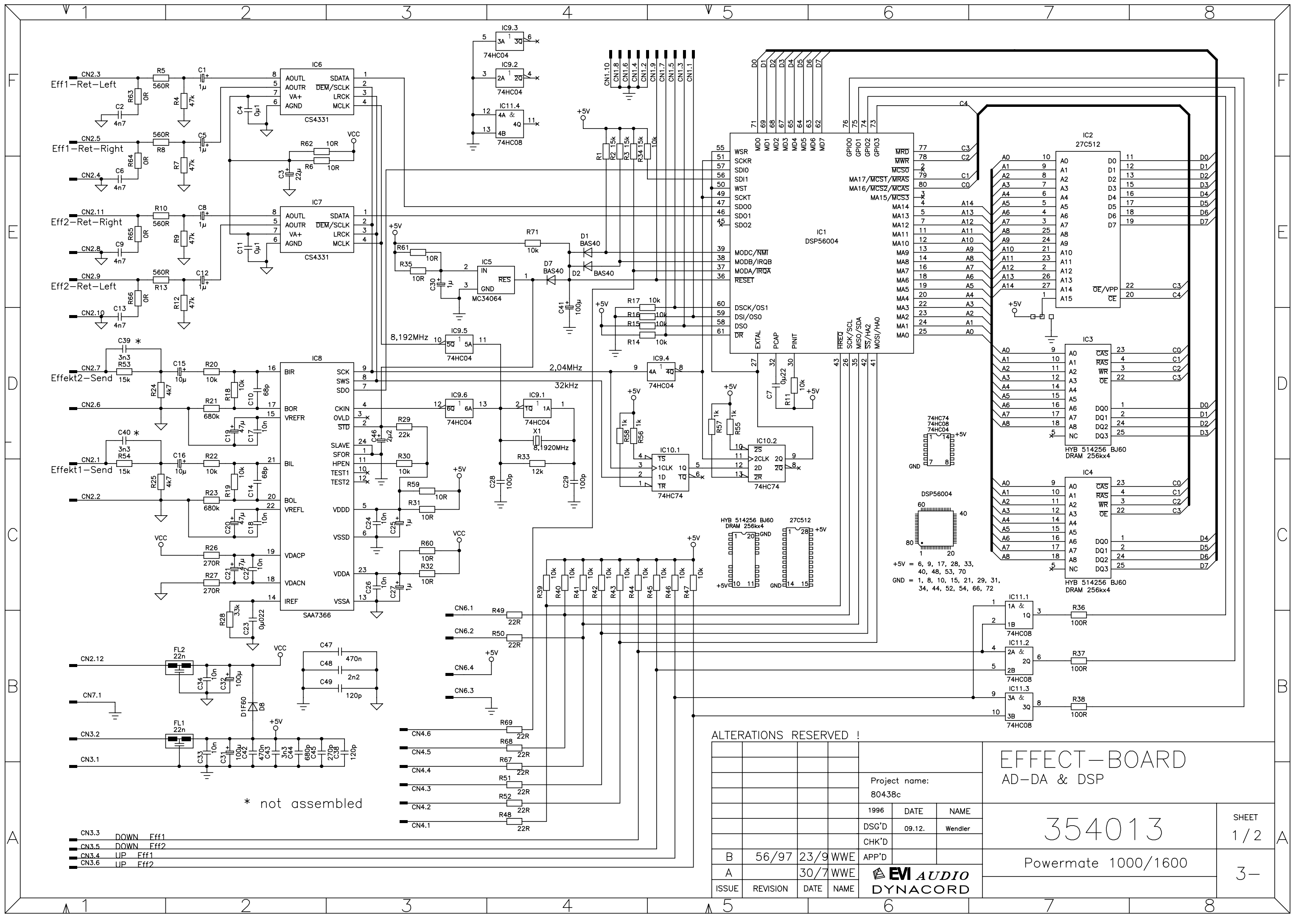


POS.	DESCRIPTION	PART NO.
1	SIDE PANEL LEFT	355 463
2	KNOB	353 905
	POTENTIOMETER	352 323
3	KNOB	353 909
	POTENTIOMETER	352 324
4	KNOB	353 910
	POTENTIOMETER	352 326
5	KNOB	353 909
	POTENTIOMETER	352 325
6	KNOB	353 907
	POTENTIOMETER	352 328
7	KNOB	353 906
	POTENTIOMETER	352 329
8	KNOB	353 909
	POTENTIOMETER	352 327
9	KNOB	353 879
	SWITCH	354 006
10	KNOB	355 153
	FADER	354 262
11	KNOB	355 153
	FADER	354 263
12	KNOB	355 155
	FADER	354 263
13	KNOB	355 154
	FADER	354 262
14	KNOB	355 156
	FADER	354 262
15	KNOB	355 156
	FADER	354 414
16	KNOB	353 906
	POTENTIOMETER	352 328
17	KNOB	353 910
	POTENTIOMETER	354 288
18	KNOB	353 909
	POTENTIOMETER	352 329
19	KNOB	353 648
	FADER	354 264
20	KNOB	353 906
	POTENTIOMETER	352 328
21	SIDE PANEL RIGHT	355 464
22	SCREW M3x6	352 822
23	CINCH CONNECTOR	354 002
	SCREW 3x8	344 229
24	PHONE JACK	354 001
25	FRONT PANEL PSX 1000	358 113
	FRONT PANEL PSX 1600	358 116
	FRONT PANEL PSX 2200	358 119
26	XLR CONNECTOR	354 000
	SCREW 3x8	344 229

POS.	DESCRIPTION	PART NO.
27	KNOB	353 905
	POTENTIOMETER	352 330
28	KNOB	353 909
	POTENTIOMETER	352 331
29	KNOB	353 879
	KEY	354 008
30	ACRYL WINDOW	353 911
31	HANDLE	355 513
32	LABEL	358 216
33	COVER COMPLETE PSX 1000	359 764
	COVER COMPLETE PSX 1600	359 765
	COVER COMPLETE PSX 2200	359 766
	COVER PANEL PSX 1000	358 115
	COVER PANEL PSX 1600	358 118
	COVER PANEL PSX 2200	358 157
	LATCH	355 151
	PLASTIC NIPPLE	355 152
	SCREW M3x6	352 822
34	SCREW M4x40	355 027
35	MAINS CONNECTOR	338 835
36	SCREW 3.9x9.5	304 251
37	CHASSIS PSX 1000	358 114
	CHASSIS PSX 1600	358 117
	CHASSIS PSX 2200	358 156
38	SCREW M4x10	329 557
39	SCREW M3x6	334 989
40	FUSE-HOLDER	328 390
	FUSE-CARRIER	328 391
	FUSE T6A (PSX 1000/1600)	351 850
	FUSE T20A (PSX 2200)	348 853
41	KNOB	341 362
	MAINS SWITCH	349 114
42	SPEAKER CONNECTOR	341 343
	SCREW M3x8	353 396
	ACCESSORIES	
	GOOSENECK LAMP	112 700
	REPLACEMENT BULB	350 319

Ohne unsere Genehmigung darf diese Zeichnung weder vervielfältigt, noch dritten Personen oder anderen Firmen zugänglich gemacht werden (siehe einschlägige Gesetze)

				Freiantworteranz	Werkstoff	
				2000	Tag	Name
				Bearb.	28.07.	E. Flexeder
				Gepr.	287.00	J. Stadler
				Stand	287.00	E. Flexeder
				EM AUDIO DYNACORD		359 763 PSX 1000/1600/2200
				Ausgabe		Maßstab
				Änderung		1:4
				Tag		3-
				Name		

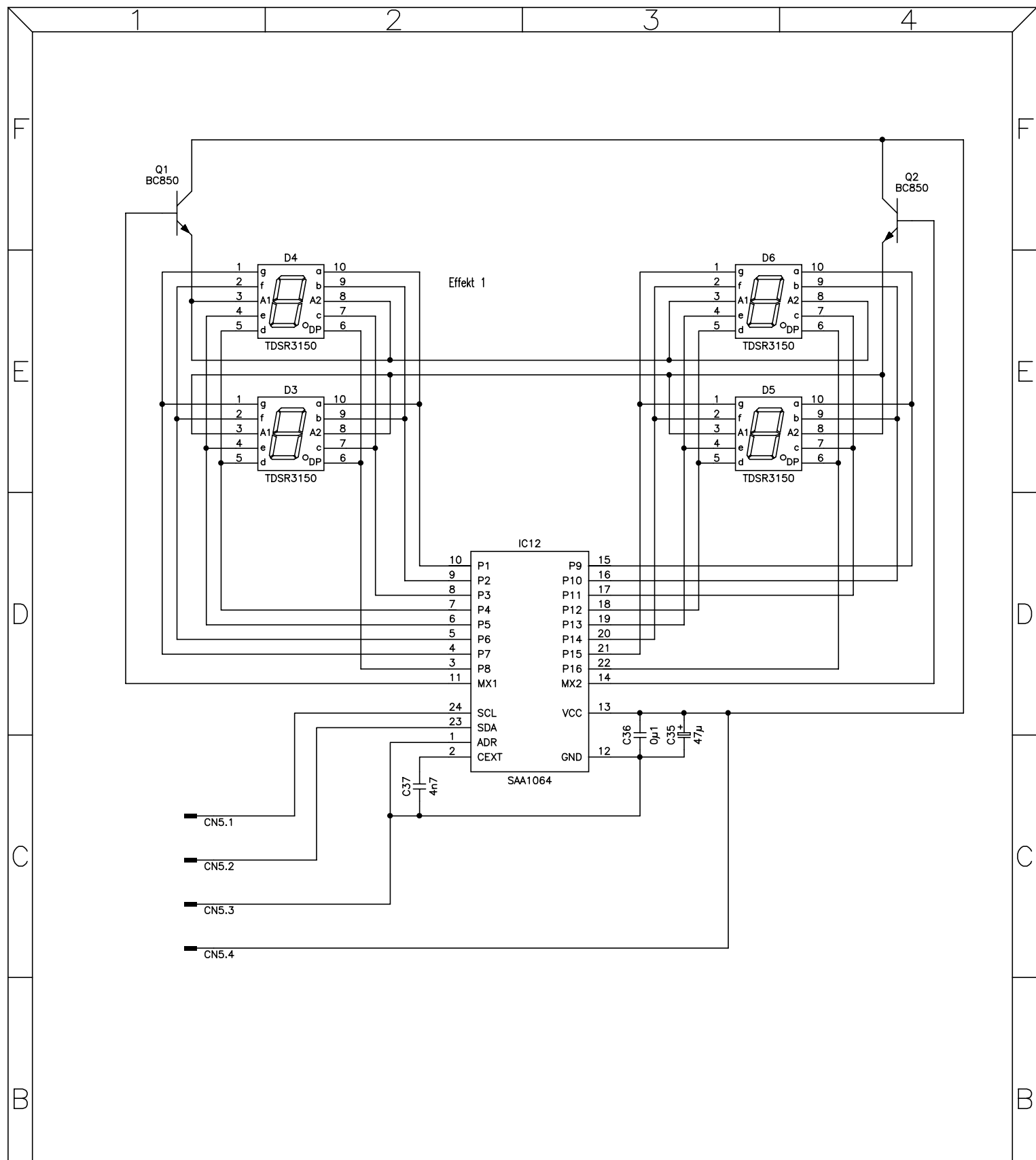


* not assembled

ALTERATIONS RESERVED !

				Project name: 80438c		EFFECT-BOARD AD-DA & DSP		354013		SHEET 1/2	
				1996	DATE					NAME	Powermate 1000/1600
				DSG'D	09.12.	Wendler					
				CHK'D							
B	56/97	23/9	WWE	APP'D							
A		30/7	WWE								
ISSUE	REVISION	DATE	NAME								

EVI AUDIO
DYNACORD

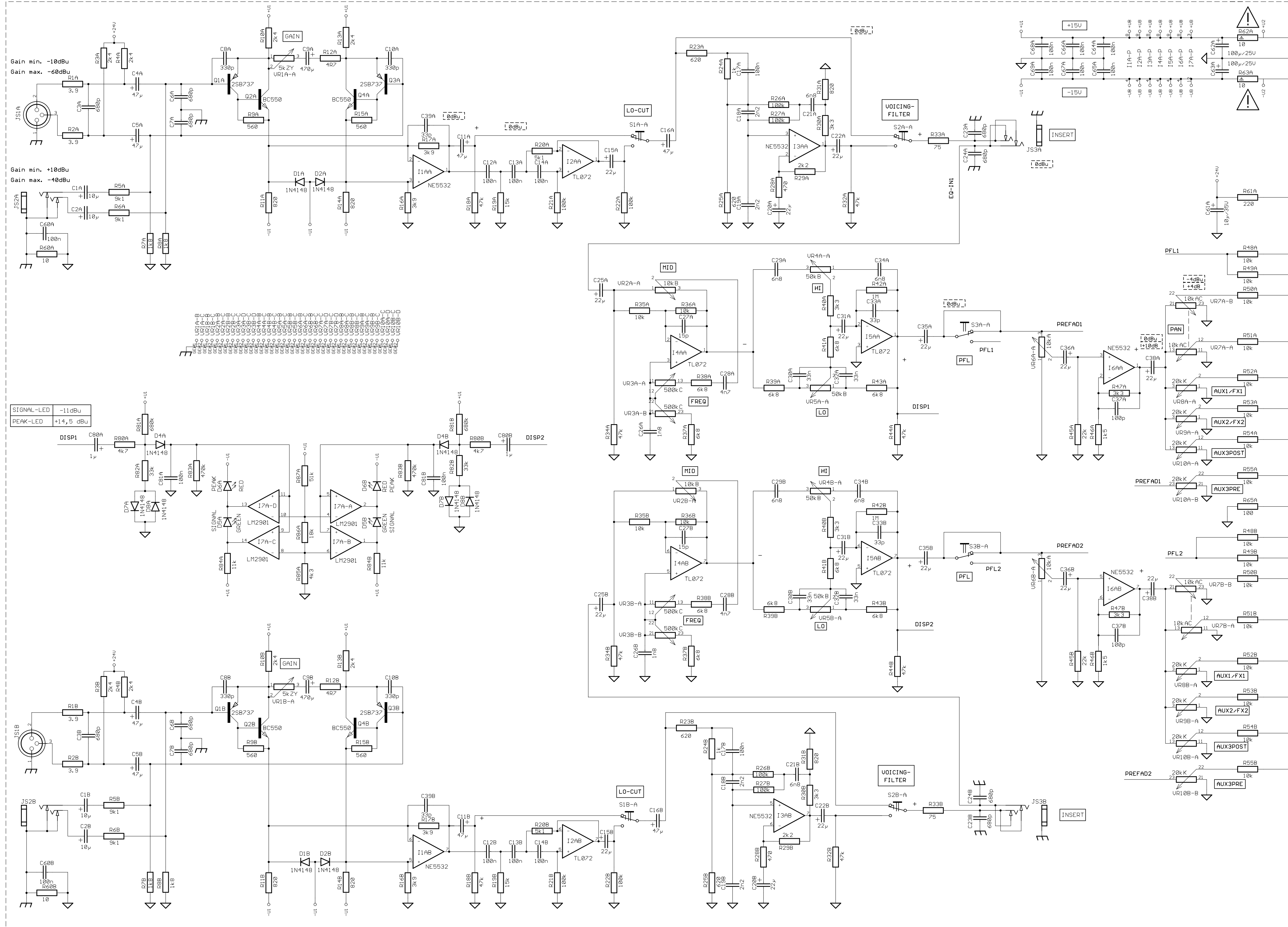


ALTERATIONS RESERVED !

				Project name: 80438c		EFFECT-BOARD Display				
				1997	DATE	NAME	354015		SHEET 2/2	
				DSG'D	02.04.	Wendler				
				CHK'D						
				APP'D						
				Powermate 1000/1600				4-		
ISSUE	REVISION	DATE	NAME							
1										

CHANNEL A/B

CHANNEL E/F CHANNEL C/D

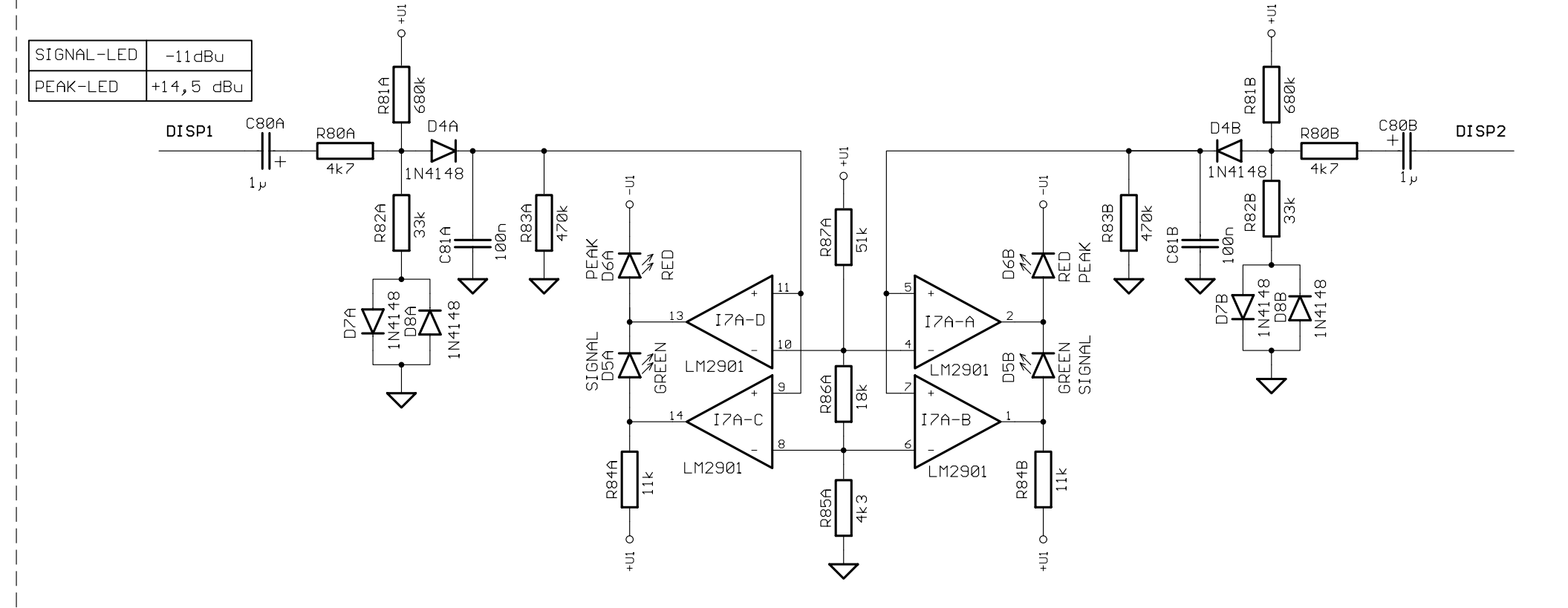
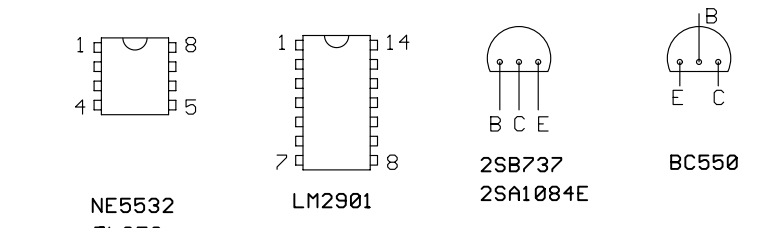


NOTES:

- *1 : PART CAN BE REPLACED WITH 25A1084 E
- AC VOLTAGE 1800 HZ, MEASURED WITH UTUM
- DC VOLTAGE MEASURED WITH VOLTMETER 100k OHM/V
- FADER IN RATED POSITION (0dB)
- ADDITIONAL GAIN WITH FADER IN MAX. POSITION
- SAFETY COMPONENT (MUST BE REPLACED BY ORIGINAL PART)

RATED CONDITIONS:

- GAIN POTS MIN. OR MAX.
- ALL POTS IN CENTER-POSITION
- ALL FADERS AT 0dB
- MASTER-FADER-L/R AT +6dB



SAME AS CHANNEL A/B

SAME AS CHANNEL A/B

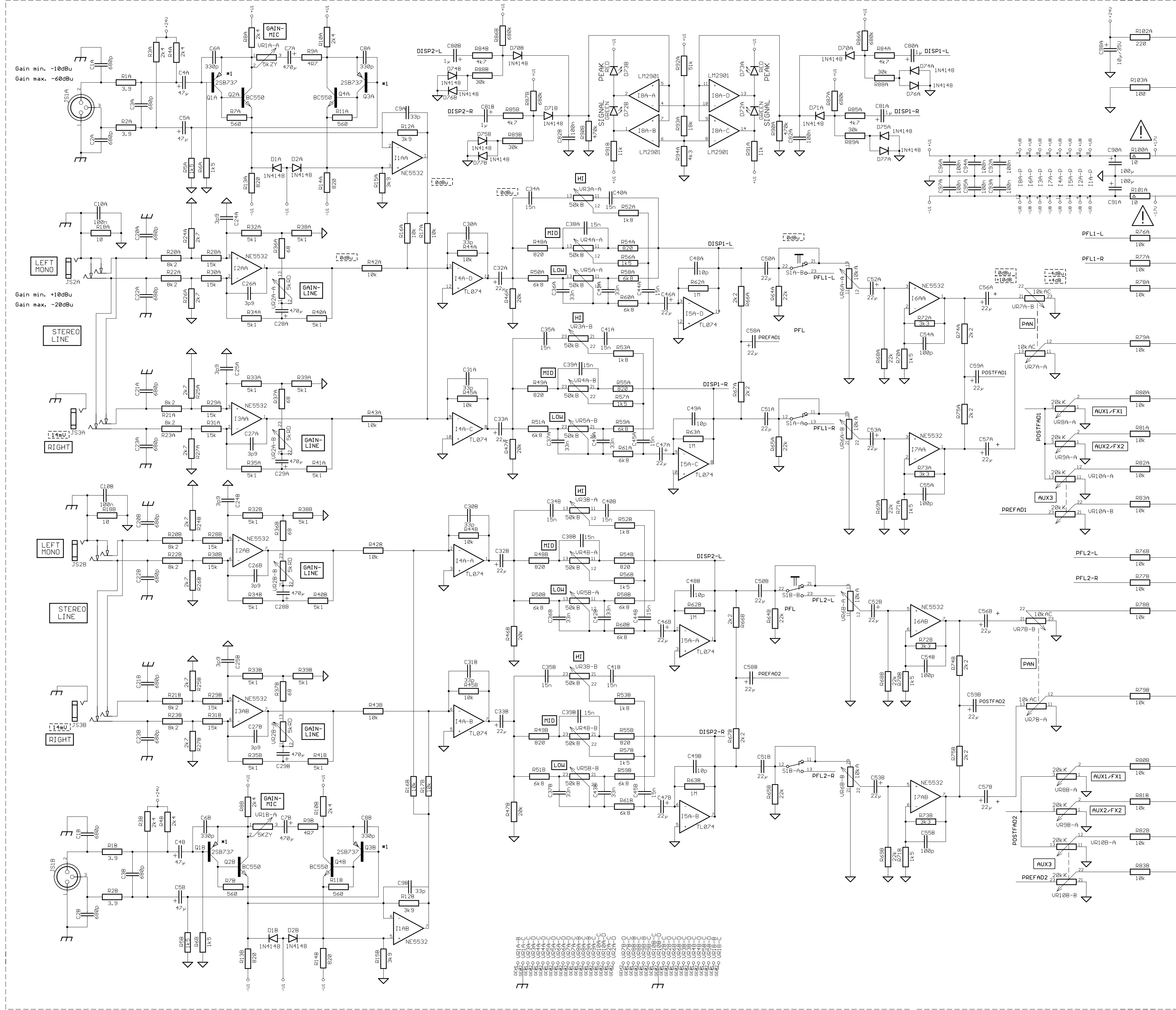
- BUS-REF
- PFL-L
- PFL-R
- MASL
- MASR
- FX1/AUX1
- FX2/AUX2
- AUX3POST
- AUX3PRE
- +17V
- 17V
- GND4
- NS181

- BUS-REF
- PFL-L
- PFL-R
- MASL
- MASR
- FX1/AUX1
- FX2/AUX2
- AUX3POST
- AUX3PRE
- +17V
- 17V
- GND4
- NS181

ALTERATIONS RESERVED!		Last modified: 24.11.1999 18:32:24		PMMIC-UF-a 81334	
		Last plotted: 08.05.2001 11:53:15		CIRCUIT DIAGRAM	
		DATE	NAME	354 009	
		DISG'D	CHK'D	EVI AUDIO	
		APP'D	LANG F.	PHI 000/1600/2200/PSX1000/1600/2000/2200	
a	145/99	11.99	Lang	1-	
ISSUE	REVISION	DATE	NAME		

CHANNEL A/B

CHANNEL C/D



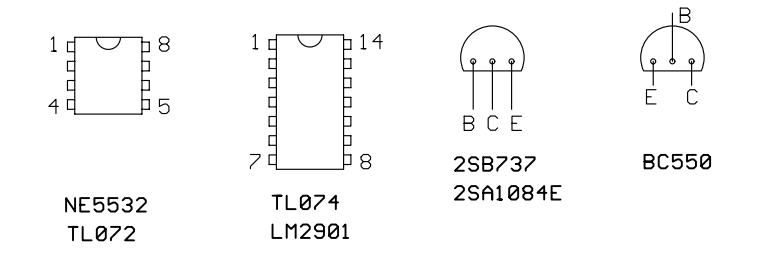
SAME AS CHANNEL A/B

NOTES:

- *1 : PART CAN BE REPLACED WITH 2SA1084 E
- AC VOLTAGE 1000 HZ, MEASURED WITH VTVM
- DC VOLTAGE MEASURED WITH VOLTMETER 100kOHM-V
- FADER IN RATED POSITION ($0dB$)
ADDITIONAL GAIN WITH FADER IN MAX. POSITION
- SAFETY COMPONENT
(MUST BE REPLACED BY ORIGINAL PART)

RATED CONDITIONS:

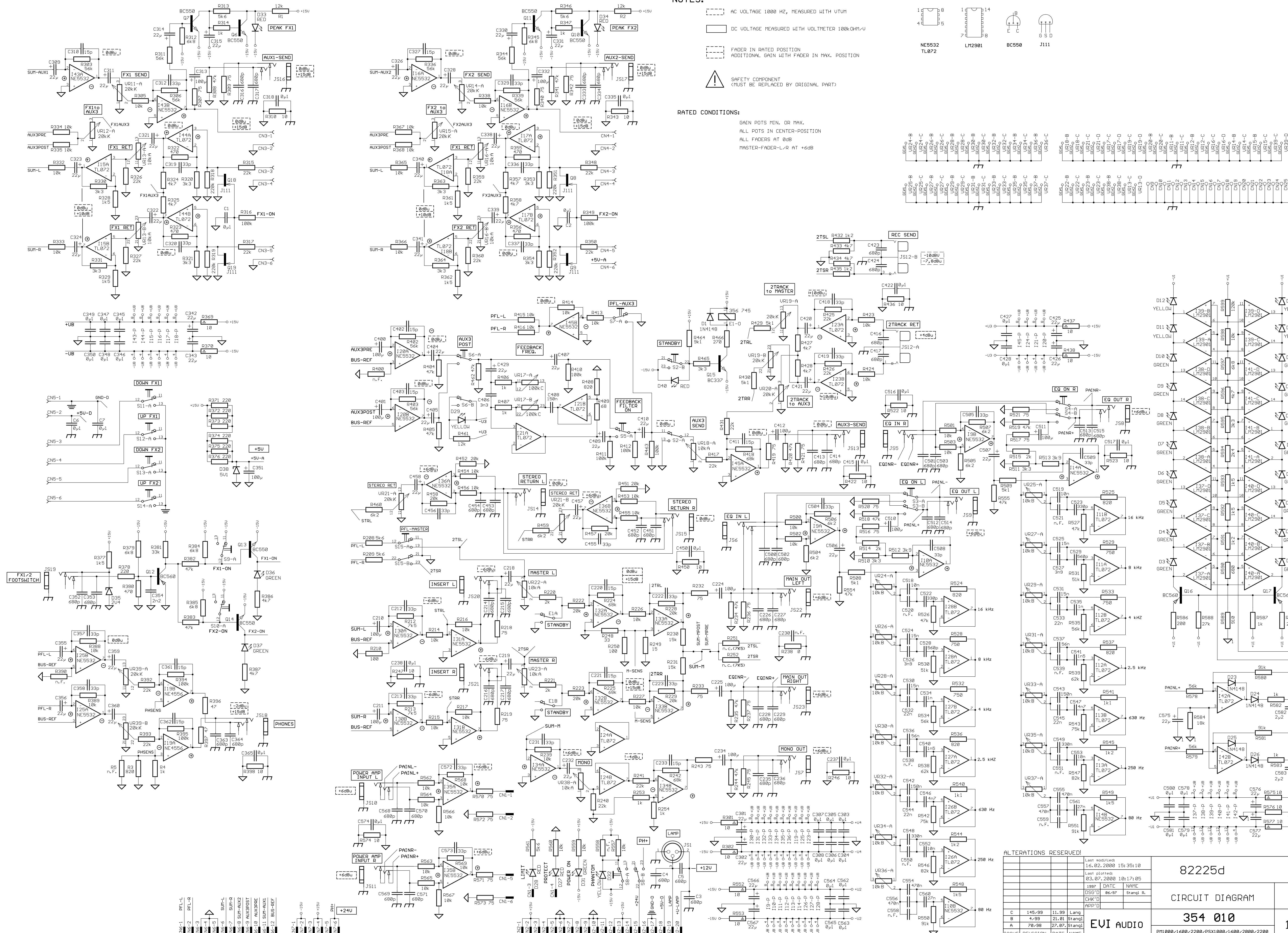
- GAIN DOTS MIN. OR MAX.
- ALL DOTS IN CENTER-POSITION
- ALL FADERS AT 0dB
- MASTER-FADER-L/R AT +6dB



BUS-REF

- +17V
- GND
- 17V
- PFL-L
- PFL-R
- MASL
- MASR
- FX1/AUX1
- FX2/AUX2
- AUX3POST
- AUX3PRE

ALTERATIONS RESERVED!				PM-STEUF-e 81336	
				Last modified	24.11.1999 10:27:58
				Last plotted	08.05.2001 11:52:03
				DATE	NAME
				DSG'D	86.06.97 Lang F.
				CHK'D	
				APP'D	
E	145/99	11.99	Lang	EVI AUDIO	
A	67/98	07.98	Lang		
ISSUE	REVISION	DATE	NAME	CIRCUIT DIAGRAM	
				354 348	
				PH1000/1600/2200/PSX1000/1600/2000/2200	

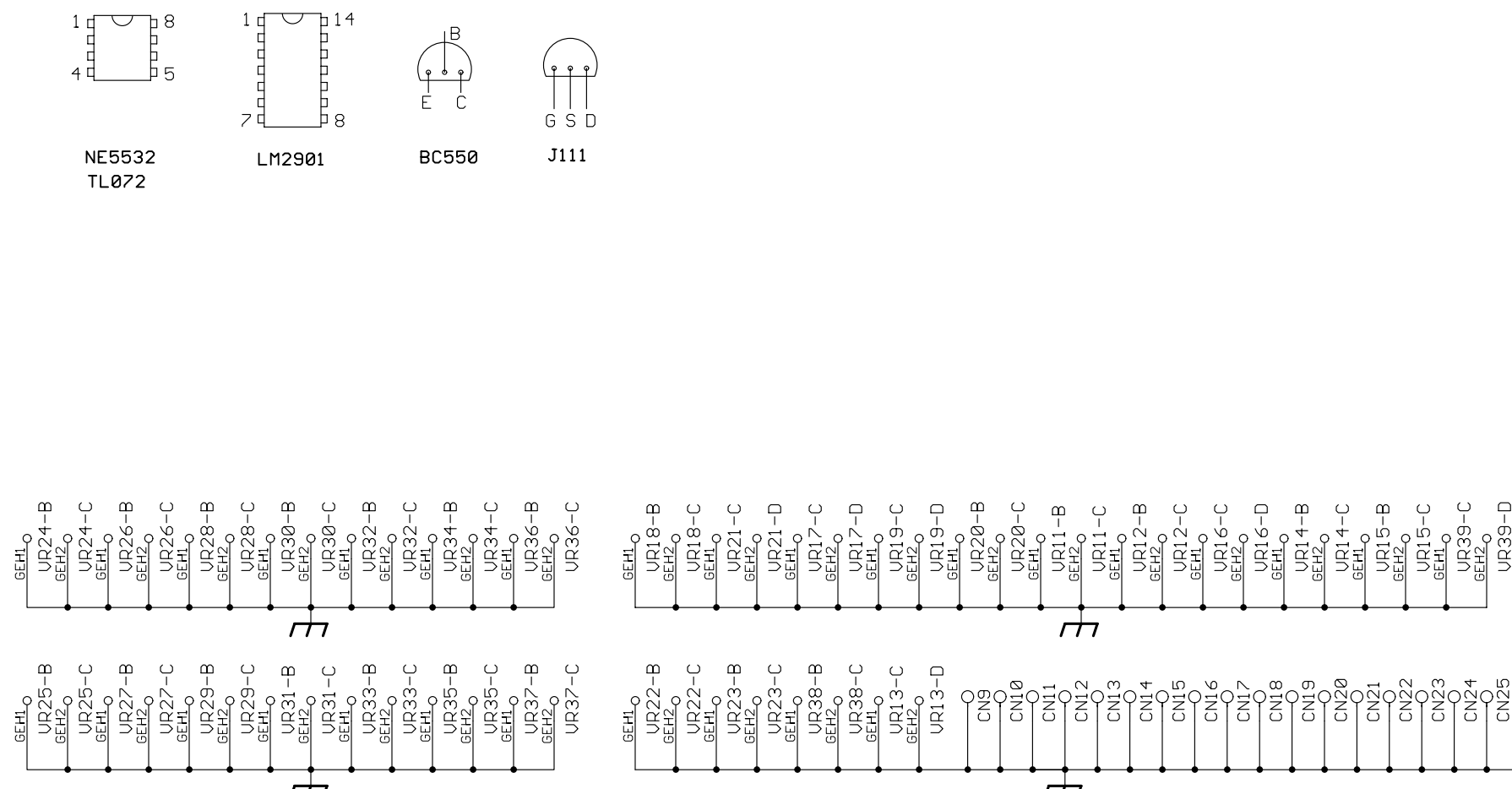


NOTES:

- AC VOLTAGE 1000 HZ, MEASURED WITH UTUM
- DC VOLTAGE MEASURED WITH VOLTMETER 100k OHM/V
- FADER IN RATED POSITION
ADDITIONAL GAIN WITH FADER IN MAX. POSITION
- SAFETY COMPONENT
(MUST BE REPLACED BY ORIGINAL PART)

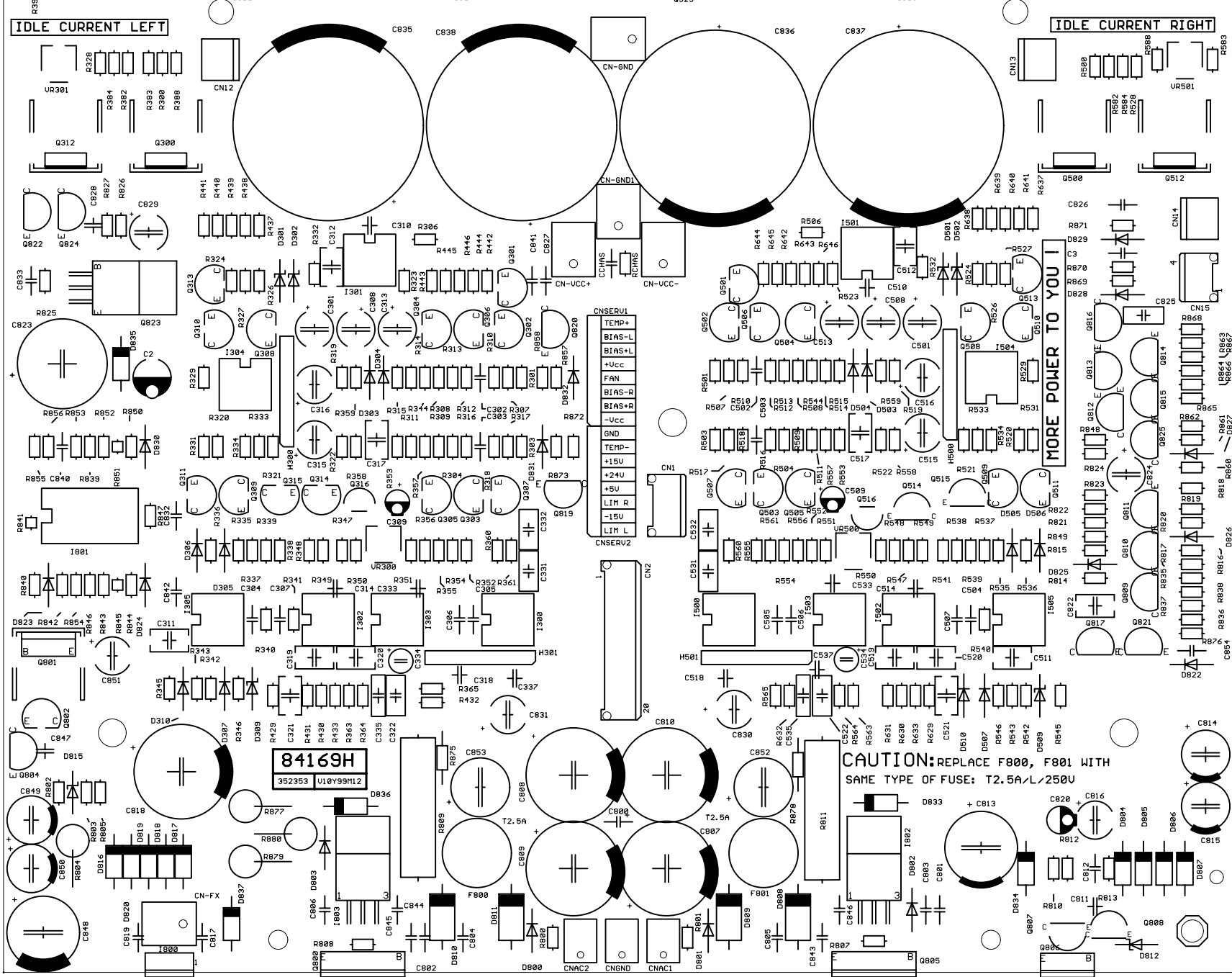
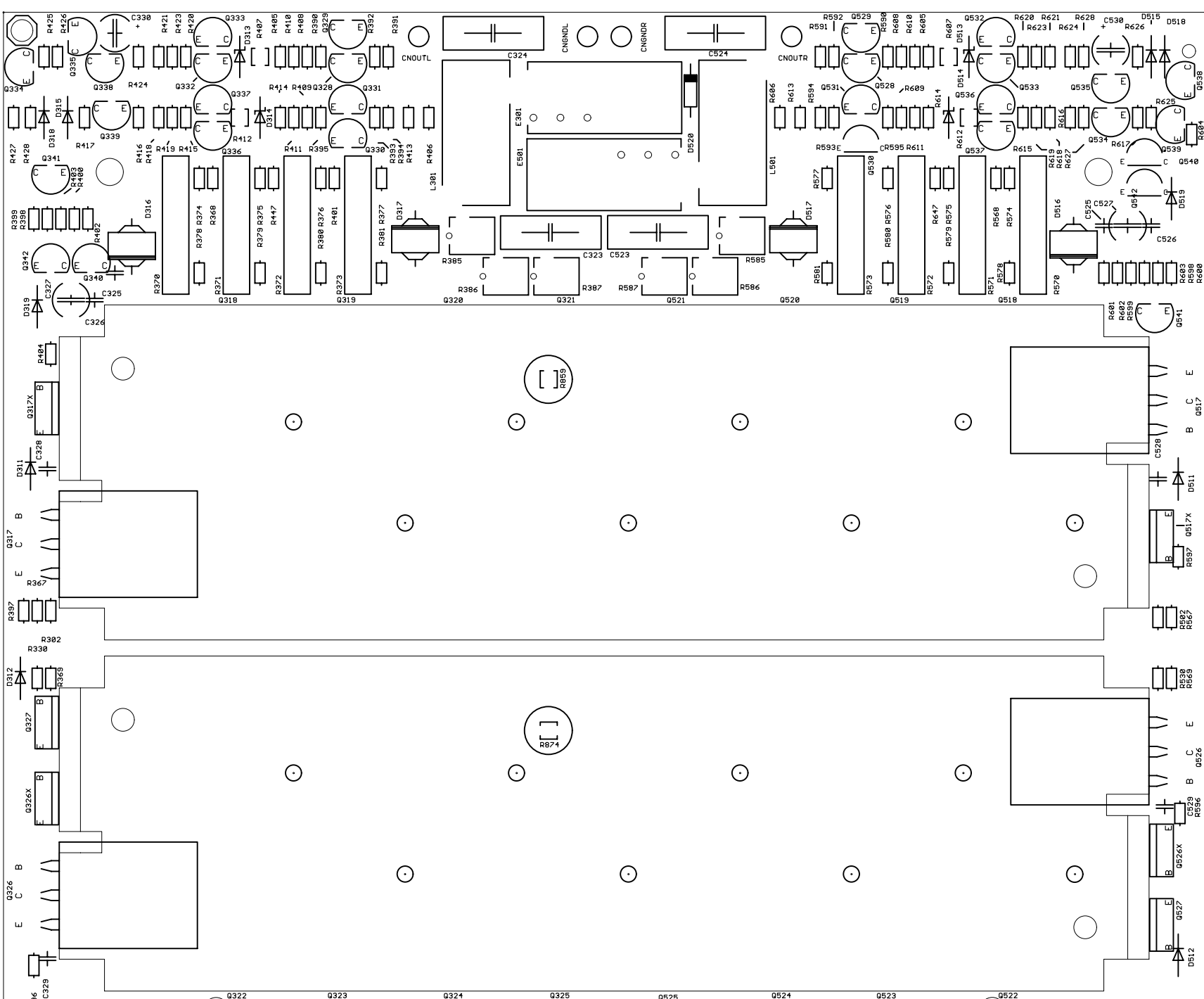
RATED CONDITIONS:

- GAIN POTS MIN. OR MAX.
- ALL POTS IN CENTER-POSITION
- ALL FADERS AT 0dB
- MASTER-FADER-L/R AT +6dB



ALTERATIONS RESERVED!

Last modified: 16.02.2008 15:35:10		82225d	
Last plotted: 03.07.2008 10:17:05		CIRCUIT DIAGRAM	
C	14/99	11/99	Lang
B	4/98	21.81	Stangl
A	7/98	27.07.	Stangl
EVI AUDIO		354 010	
ISSUE	REVISION	DATE	NAME
PH1000-1600-2200-PSX1000-1600-2000-2200		1-	



IDLE CURRENT LEFT

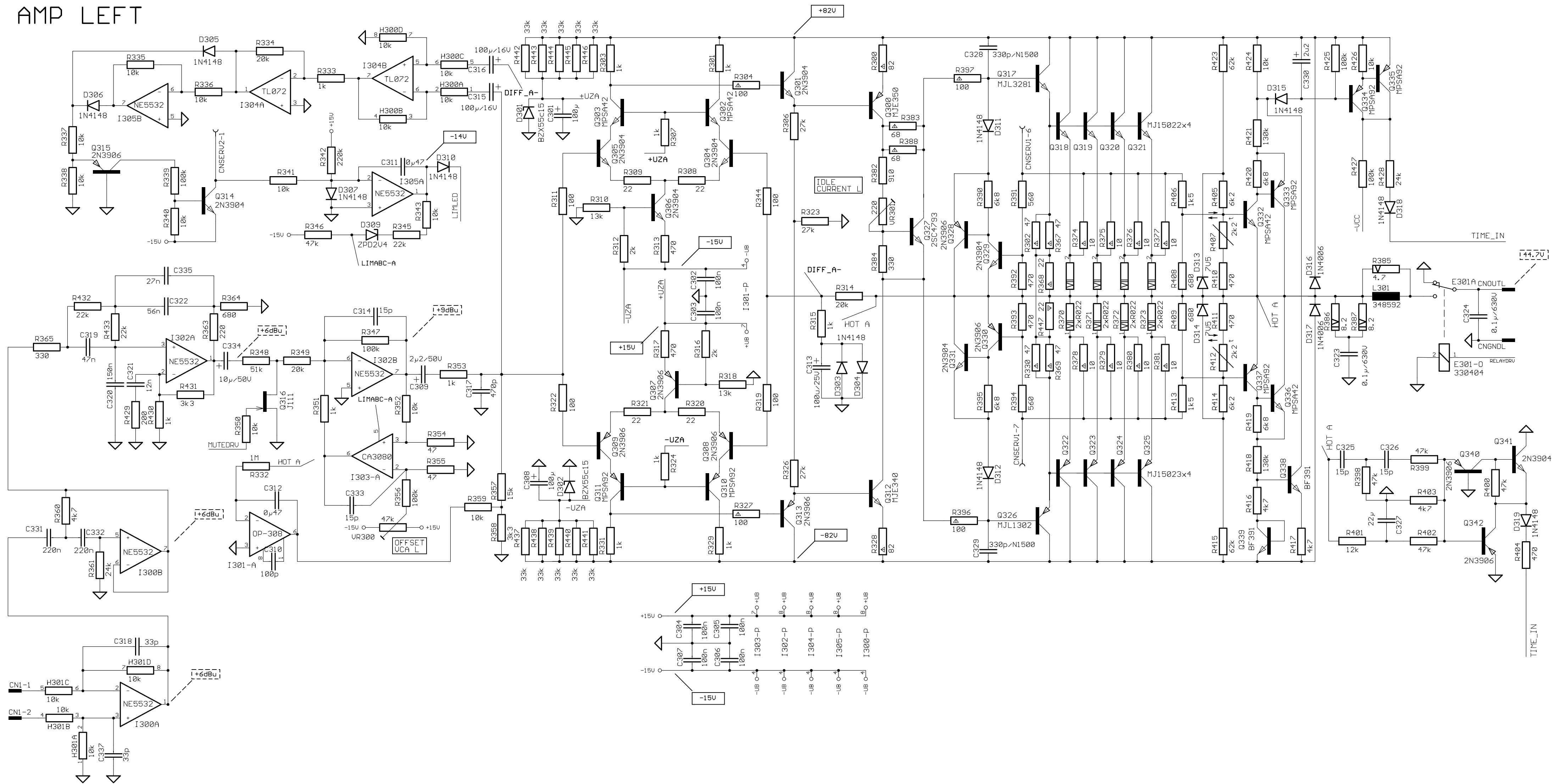
IDLE CURRENT RIGHT

MORE POWER TO YOU!

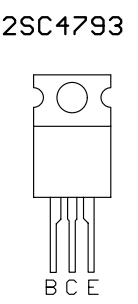
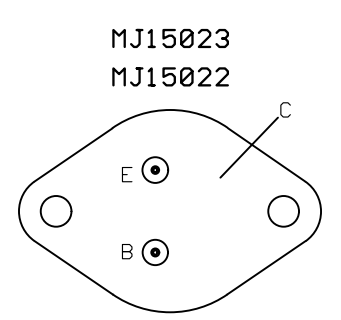
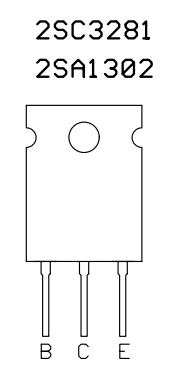
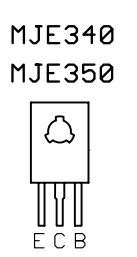
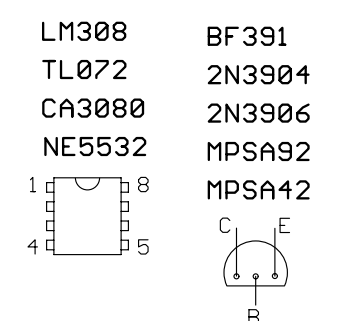
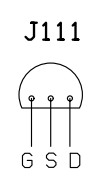
CAUTION: REPLACE F800, F801 WITH SAME TYPE OF FUSE: T.2.5A/L/250U

84169H
352253 U10Y99M12

AMP LEFT



- POWER RESISTOR 5 WATT
- POWER RESISTOR 4 WATT
- DC VOLTAGE MEASURED WITH VOLTMETER 100kOHM/V
- AC VOLTAGE 1000 HZ, MEASURED WITH UTVM
- SAFETY COMPONENT, FLAMEPROOF RESISTOR (MUST BE REPLACED BY ORIGINAL PART)



ALTERATIONS RESERVED!

ISSUE	REVISION	DATE	NAME
K	157/99	13.12	Lang
I	145/99	24.11	Lang
H	85/99	13.07	Lang
G	18/99	02.99	csc
F	6/99	22.01	Stangl
E	72/97	11.97	Lang
D	62/97	10.97	Taffner
C	57/97	09.97	Lang
B	47/97	09.97	Lang
A	NULLSERIE	09.97	Lang

Last modified: 13.12.1999 10:48:34
 Last plotted: 08.05.2001 10:42:08
 DATE: 06.97
 NAME: Taffner
 APP'D

84169H Power Amplifier Left

CIRCUIT DIAGRAM 1/3

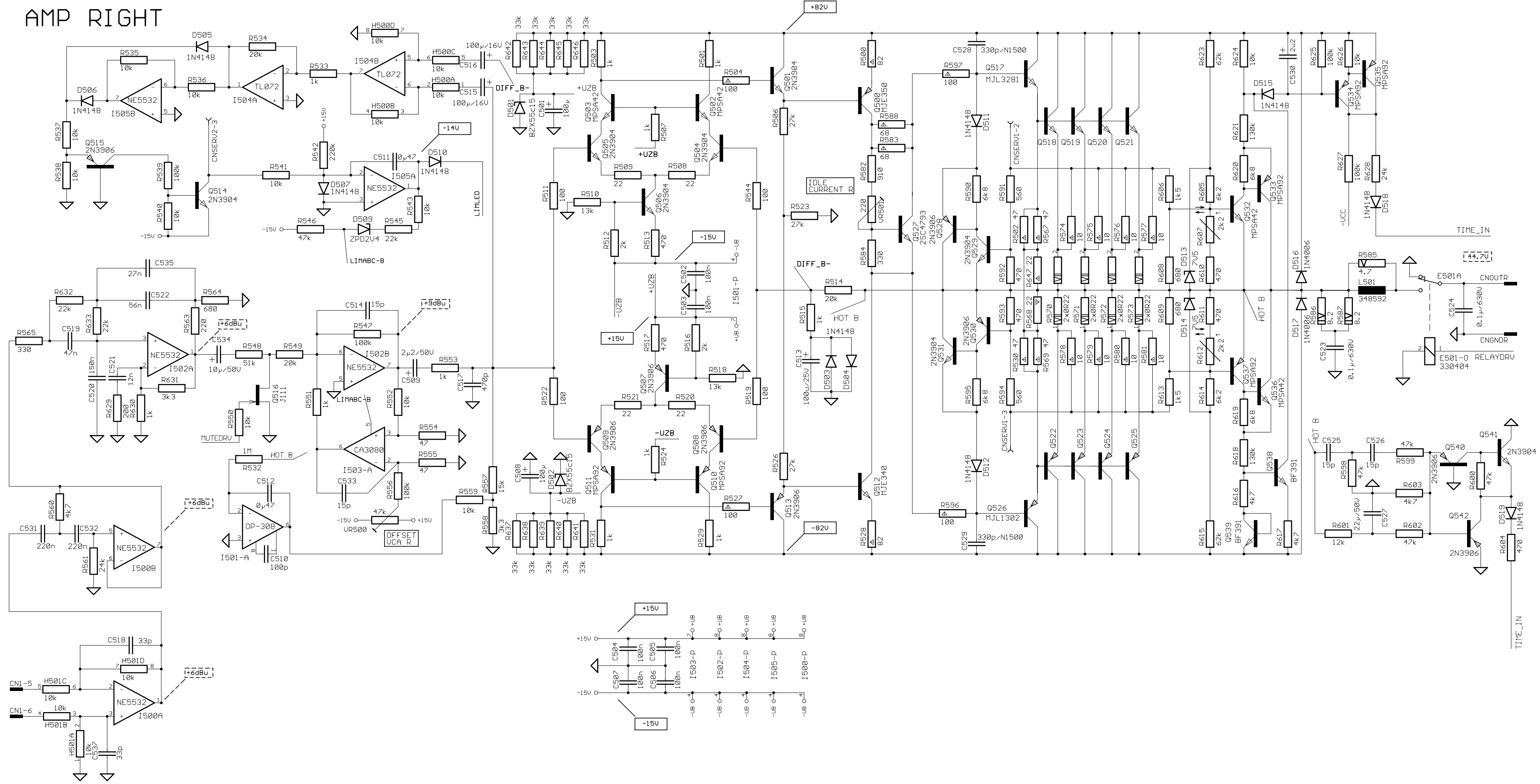
354 011

PM1000/1600/PSX1000/1600

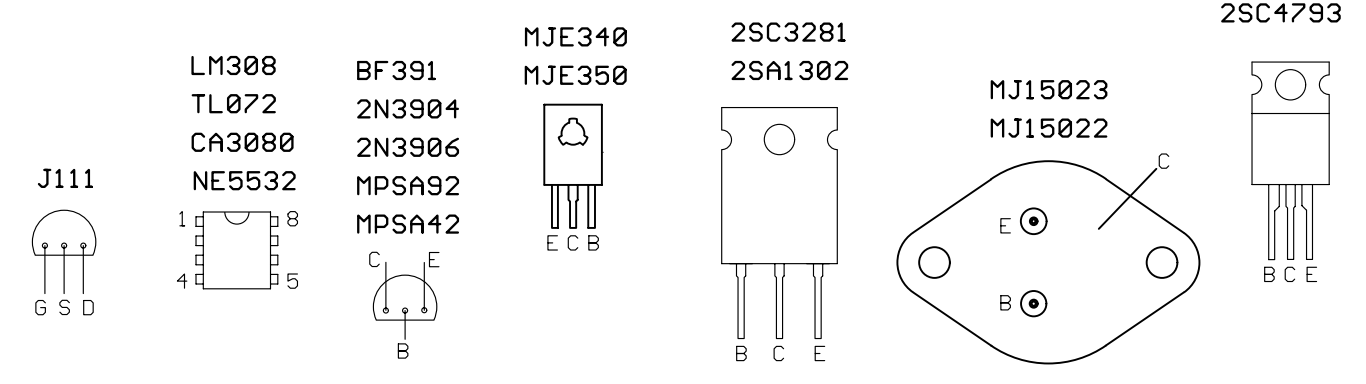
EVI AUDIO

2-

AMP RIGHT



- POWER RESISTOR 5 WATT
- POWER RESISTOR 4 WATT
- DC VOLTAGE MEASURED WITH VOLTMETER 100kOHM/V
- AC VOLTAGE 1000 HZ, MEASURED WITH UTM
- SAFETY COMPONENT, FLAMEPROOF RESISTOR (MUST BE REPLACED BY ORIGINAL PART)



ALTERATIONS RESERVED!

K	157/99	13.12	Lang	13.12.1999 10:48:34
I	145/99	24.11	Lang	Last modified: 08.05.2001 10:42:25
H	85/99	13.07	Lang	Last plotted: 08.05.2001 10:42:25
G	18/99	02.98	csc	DATE
F	6/99	22.01	Stangl	DSG'D
E	72/97	11.97	Lang	CHK'D
D	62/97	10.97	Taffner	APP'D
C	57/97	09.97	Lang	
B	47/97	09.97	Lang	
A	NULLSERIE	09.97	Lang	
ISSUE	REVISION	DATE	NAME	

84169H
Power Amplifier Right

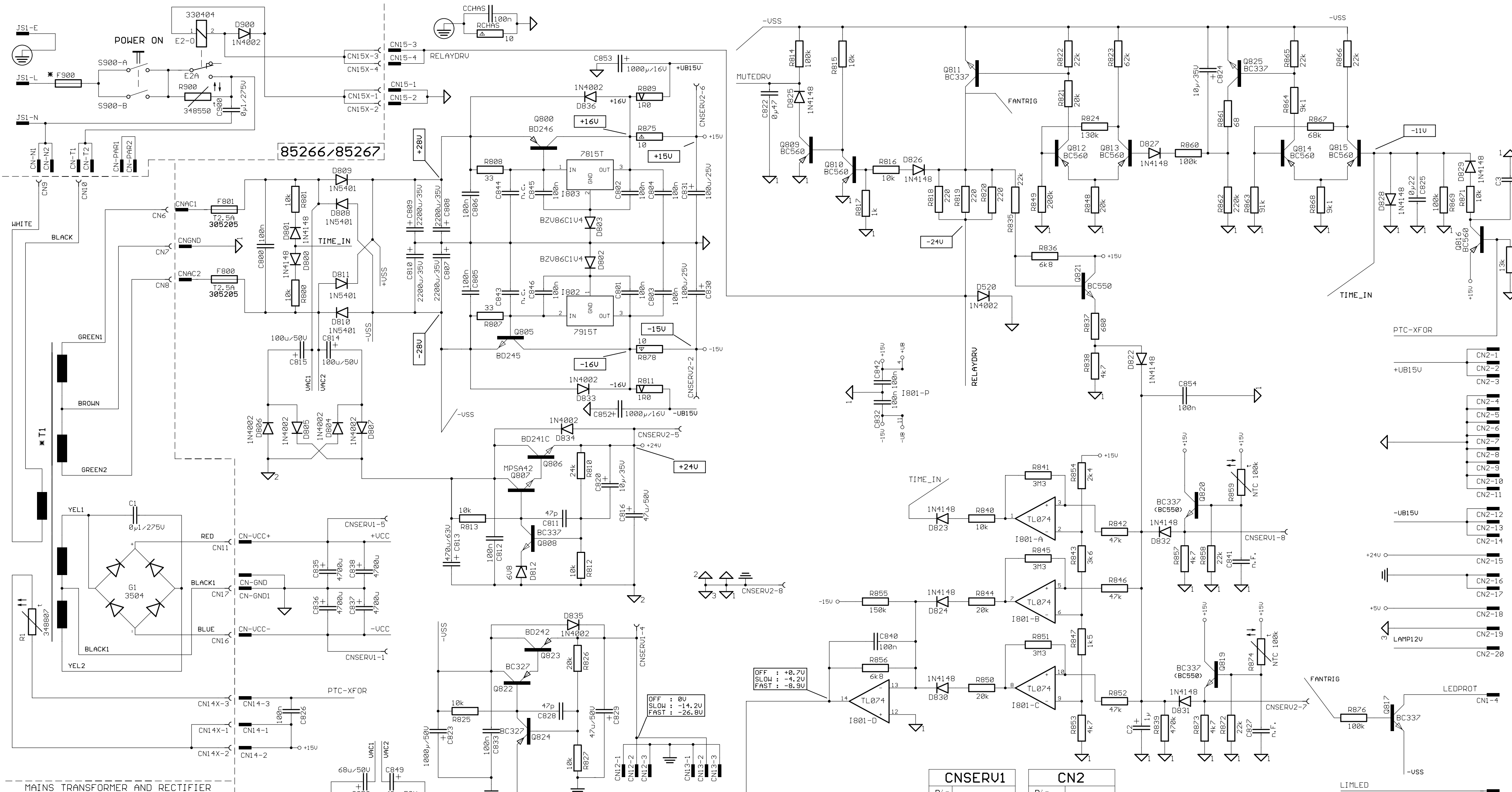
CIRCUIT DIAGRAM 2/3

354 011

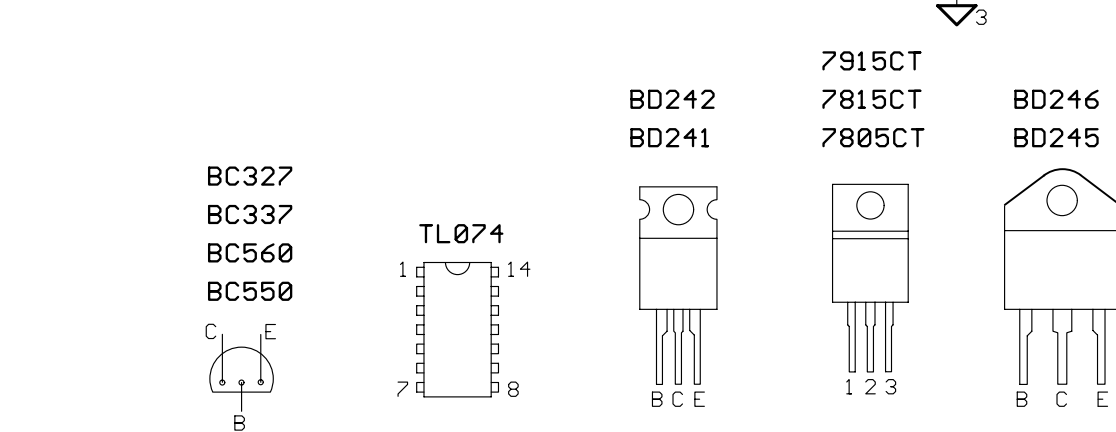
PM1000/1600/PSX1000/1600

EVI AUDIO

2-



	100V	120V	230V	240V
T1	354 587	354 412	354 260	354 597
F900	15A 351 850	15A 351 850	8A 351 947	8A 351 947



Pin	Signal
1	-UCC
2	Bias+ R
3	Bias- R
4	FAN
5	+UCC
6	Bias+ L
7	Bias- L
8	Temp+

Pin	Signal
1-3	+UB15V
4-11	GND-A
12-14	-UB15V
15	+24V
16-17	GND-D
18	+5V
19	GND-LAMP
20	LAMP12V

Pin	Signal
1	Signal L
2	GND-Sense L
3	LED-LIMIT
4	LED-PROTECT
5	Signal R
6	GND-Sense R

Pin	Signal
1	AC 15V
2	GND A1
3	AC 15V

Pin	Signal
1	PTC1/Trafo
2	n.c.
3	PTC2/Trafo

Pin	Signal
1	GND-D FAN
2	FAN +
3	GND-D FAN

Pin	Signal
1	LIM L
2	-15V
3	LIM R
4	+5V
5	+24V
6	+15V
7	TEMP-
8	GND

ALTERATIONS RESERVED!	Pin	Signal		
K	157/99	13.12	Lang	Last modified:
J	145/99	24.11	Lang	13.12.1999 10:48:34
I	95/99	27.07	Stangl	Last plotted:
H	85/99	13.07	Lang	08.05.2001 10:42:40
G	18/99	02.99	csc	DATE
F	6/99	22.01	Stangl	DSG'D
E	72/97	11.97	Lang	CHK'D
D	62/97	10.97	Taffner	APP'D
C	57/97	09.97	Taffner	
B	47/97	09.97	Lang	
A	NULLSERIE	09.97	Lang	
ISSUE	REVISION	DATE	NAME	

84169H / 85266 / 85267

CIRCUIT DIAGRAM 3/3

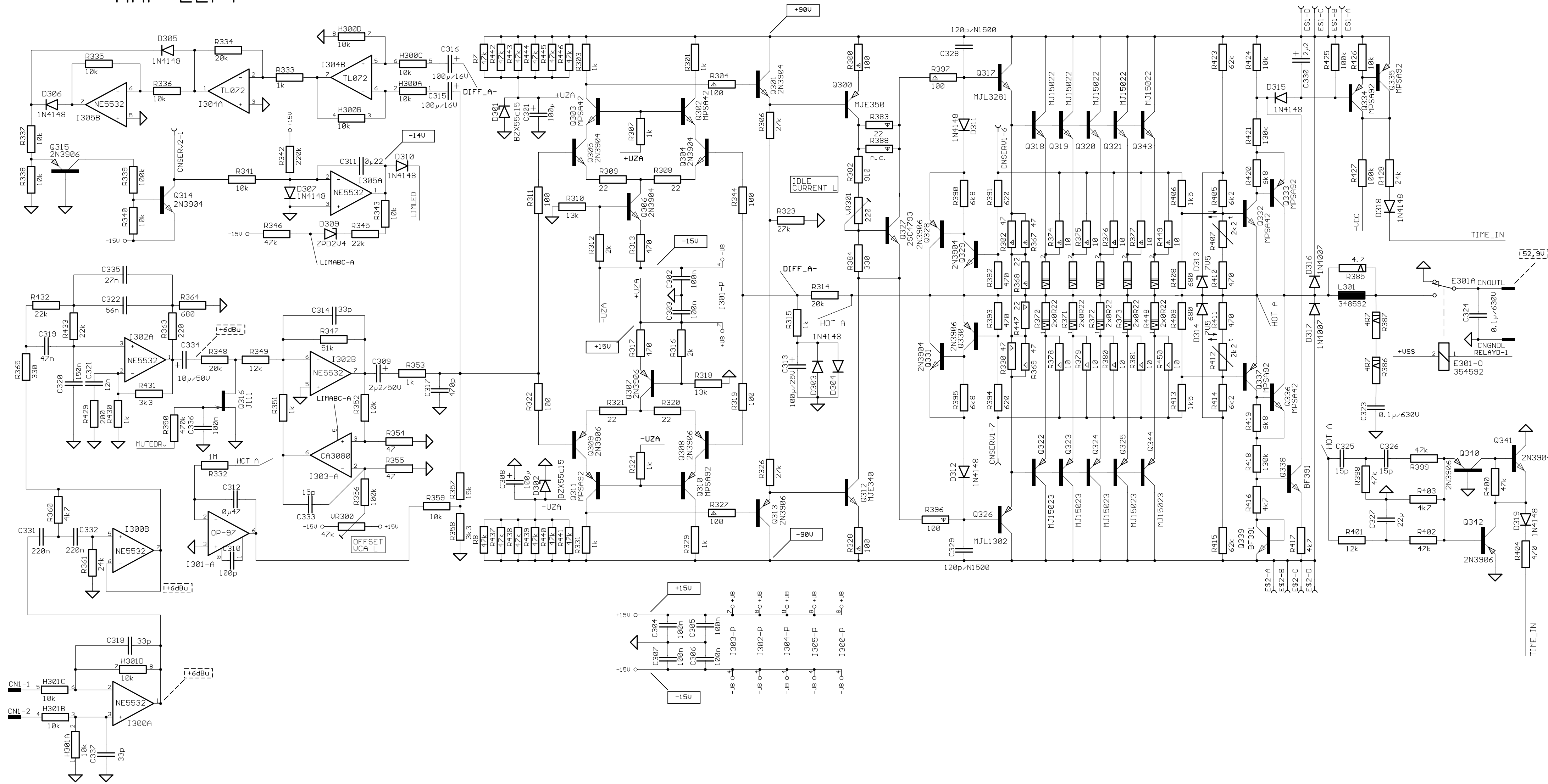
354 011

PM1000/1600/PSX1000/1600

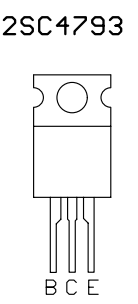
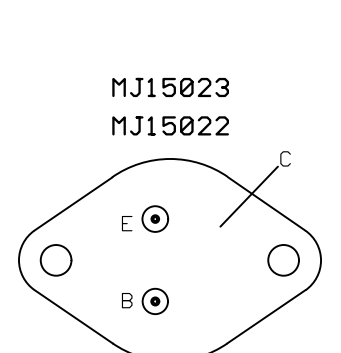
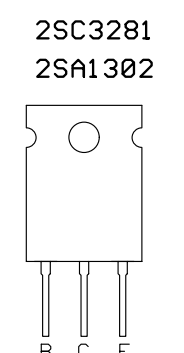
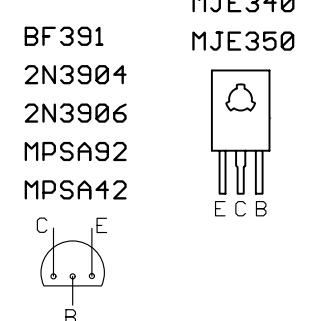
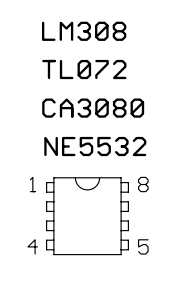
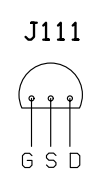
2-

EVI AUDIO

AMP LEFT



- POWER RESISTOR 5 WATT
- POWER RESISTOR 4 WATT
- DC VOLTAGE MEASURED WITH VOLTMETER 100kOHM/V
- AC VOLTAGE 1000 HZ, MEASURED WITH VTVM
- SAFETY COMPONENT, FLAMEPROOF RESISTOR (MUST BE REPLACED BY ORIGINAL PART)



ALTERATIONS RESERVED!

ISSUE	REVISION	DATE	NAME

Last modified:	09.06.2000 11:26:54
Last plotted:	08.05.2001 11:01:57
DATE	NAME
08.99	Lang
DSG'D	
CHK'D	
APP'D	

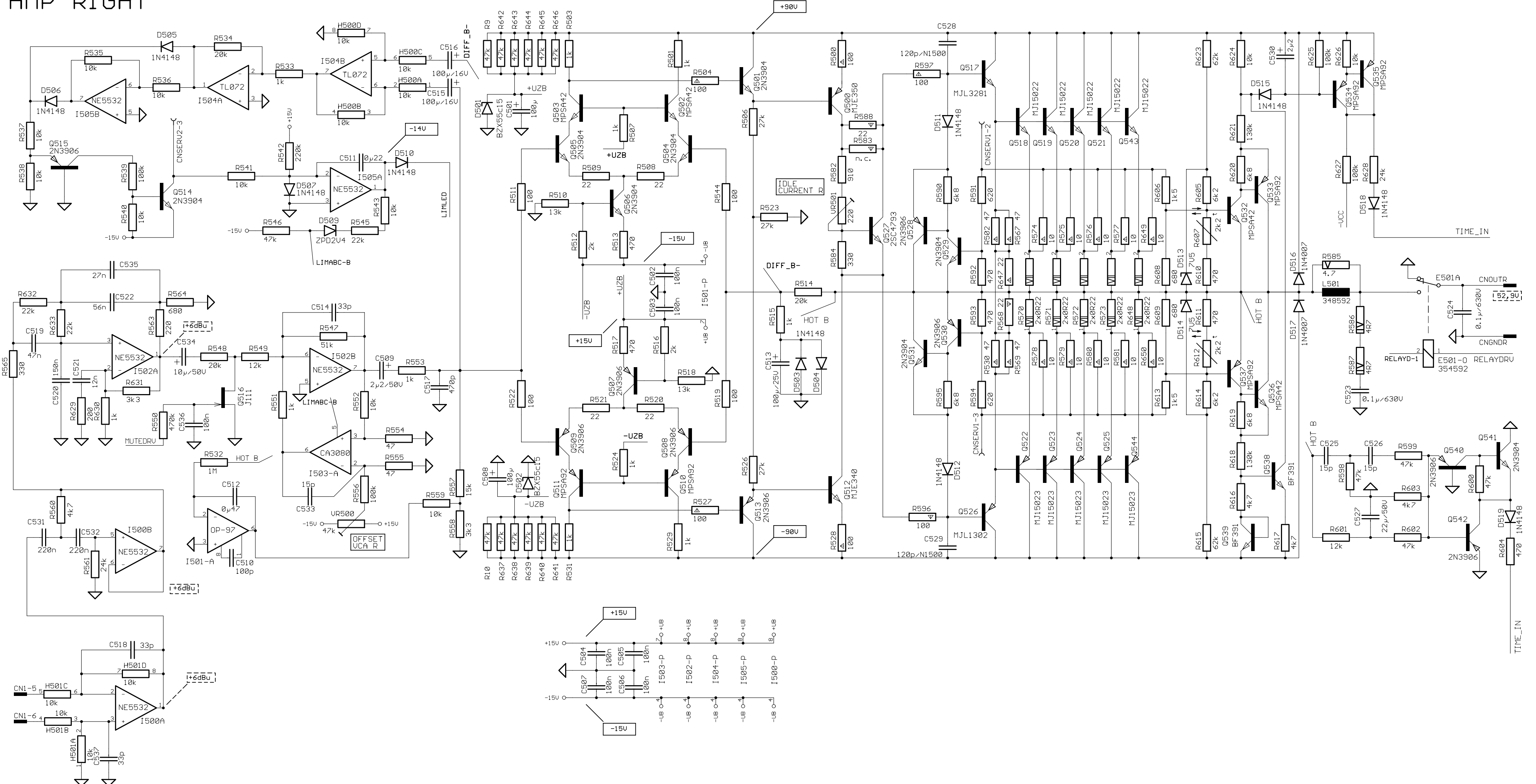
EVI AUDIO

84198B
Power Amplifier Left

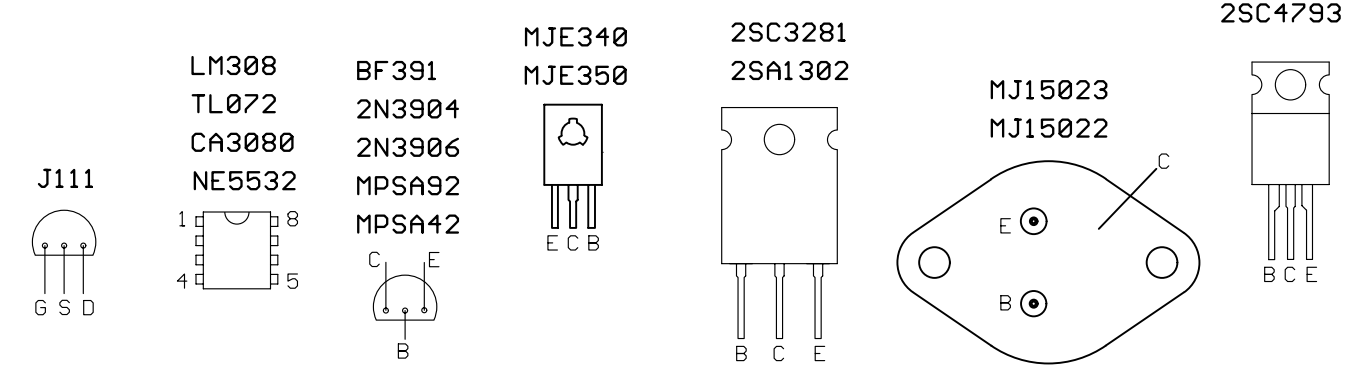
CIRCUIT DIAGRAM 1/3

357 045
PowerMate 2200 2-

AMP RIGHT

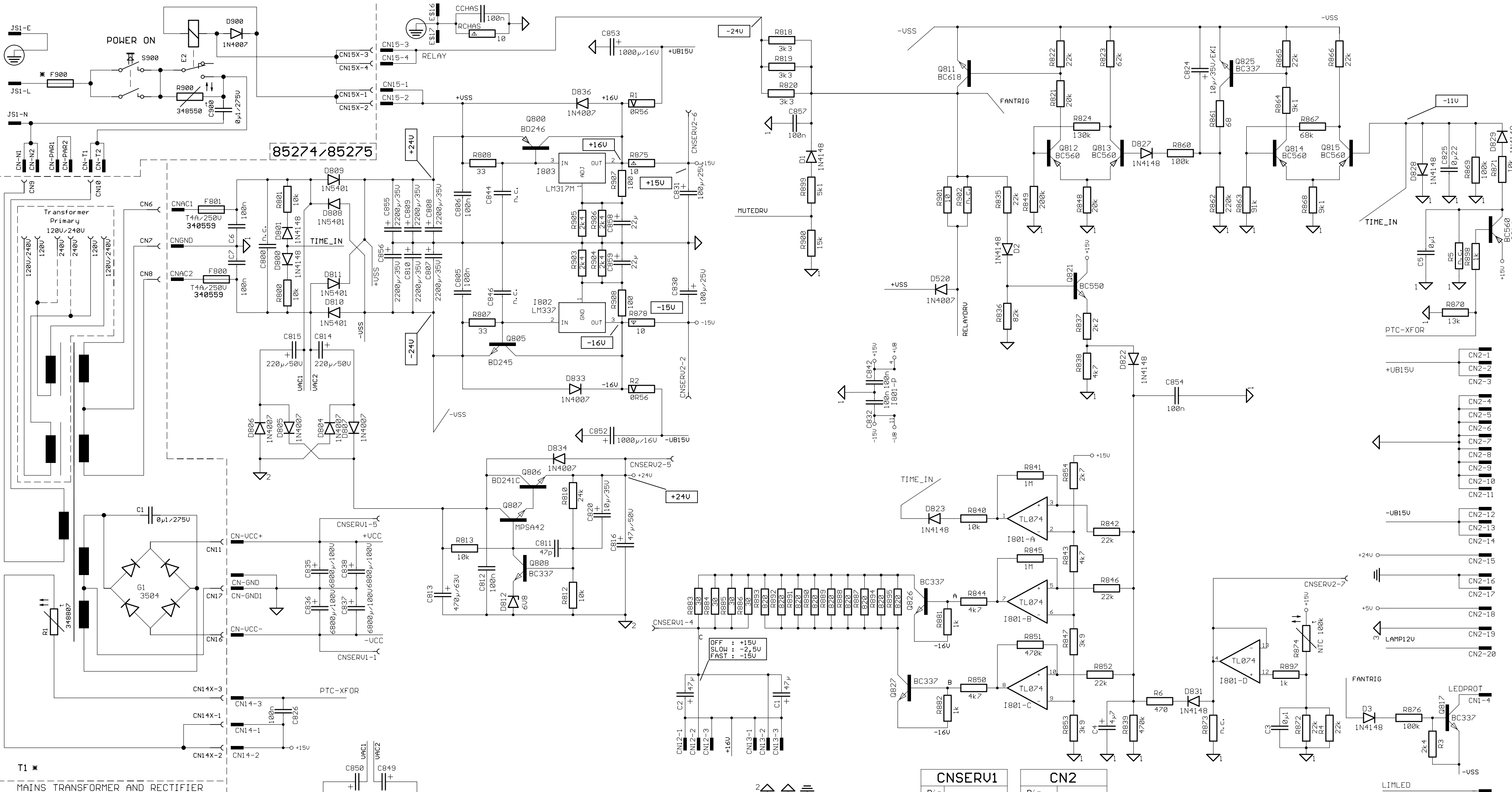


- POWER RESISTOR 5 WATT
- POWER RESISTOR 4 WATT
- DC VOLTAGE MEASURED WITH VOLTMETER 100kOHM-V
- AC VOLTAGE 1000 HZ, MEASURED WITH UTVM
- SAFETY COMPONENT, FLAMEPROOF RESISTOR (MUST BE REPLACED BY ORIGINAL PART)

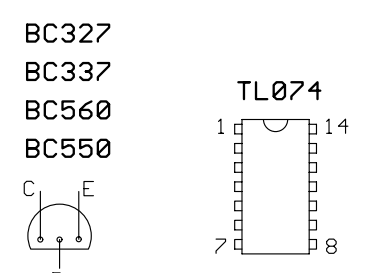


ALTERATIONS RESERVED!

Last modified: 09.06.2000 11:26:54		84198B Power Amplifier Right	
Last plotted: 08.05.2001 11:02:13			
DATE	NAME	CIRCUIT DIAGRAM	2/3
DSG'D	08.99 Lang		
CHK'D			
APP'D		EVI AUDIO	
ISSUE	REVISION		
DATE		357 045	
NAME		PowerMate 2200	
		2-	



	100V	120V	230V	240V
T1		357 128	357 126	354 128
F900	20A 348 853	20A 348 853	10A 302 565	10A 302 565



CNSERU1	
Pin	
1	-UCC
2	Bias+ R
3	Bias- R
4	FAN
5	+UCC
6	Bias+ L
7	Bias- L
8	+12V (Lamp)

CN2	
Pin	
1-3	+UB15V
4-11	GND-A
12-14	-UB15V
15	+24V
16-17	GND-D
18	+5V
19	GND-LAMP
20	LAMP12U

CN1	
Pin	
1	Signal L
2	GND-Sense L
3	LED-LIMIT
4	LED-PROTECT
5	Signal R
6	GND-Sense R

CN14	
Pin	
1	PTC1/Trafo
2	n.c.
3	PTC2/Trafo

CN12/13	
Pin	
1	GND-D FAN
2	FAN +
3	GND-D FAN

CNSERU2	
Pin	
1	LIM L
2	-15V
3	LIM R
4	+5V
5	+24V
6	+15V
7	TEMP-
8	GND

ALTERATIONS RESERVED!

ISSUE	REVISION	DATE	NAME
A	54/00	05.06	Stangl
B	38/00	18.04	Stangl

Last modified:
09.06.2000 11:26:54
Last plotted:
08.05.2001 11:02:26
DATE NAME
08.99 Lang
CHK'D
APP'D

EVI AUDIO

84198B

CIRCUIT DIAGRAM

357 045
PowerMate 2200

3/3

2-

Ersatzteilliste - Bill of Materials

170102 PSX 1000 120V			
Pos. Nr.	Best. Nr.		
Ref. No.	Part No.	Bezeichnung	Description
		Zubehör	Accessories & packing material
	358173	OWNER'S MANUAL PSX-SERIES	owner's manual psx-series
	358187	QUICK START PSX-SERIES	quick start psx-series
	346832	KABEL-NETZ UL/CSA 10A/125V	power cable US
	358176	KRT. PSX 1000 572X528X262	carton
	355472	STYROPOR-EINL. LI. POWERM.	foam left
	355473	STYROPOR-EINL. RE. POWERM.	foam right
	337053	SCHUTZHÜLLE 650X800X0,08	poly bag
	358177	KRT. PSX 1000 AUSSEN	carton outer
		Mechanische Teile	Cabinet material
B0010	341343	BUCHSE-SPEAKON-VIERECK 4POL	speaker socket 4-pole
C0001	333014	KO-SO 0.10MF 275V 20% L	safety cap 100nF/275V
G0010	343270	GLRI GBPC 3504	rectifier GBPC-P 3504
	353911	EINLEGEFOLIE POWERM.1000	mylar window
	355153	SK 25X13 WS/SW 4X1,2	knob fader wh/bl
	355155	SK 25X13 BL/GR 4X1,2	knob fader bl/gr
	355154	SK 25X13 BL/GR 4X1,2	knob fader bl/gr
	355156	SK 25X13 RT/GR 4X1,2	knob fader rd/gr
	353648	SK 7X10 GR 4X1,2	knob fader gr
	353879	TK 10X5 GR 3,3	push button
	353905	DK 11 GR/GR/RT B 6FL	knob rotary gr/rd
	353909	DK 11 GR/GR/GR B 6FL	knob rotary gr/gre
	353907	DK 11 GR/GR/BL B 6FL	knob rotary gr/blu
	353906	DK 11 GR/GR/BL B 6FL	knob rotary gr/blu
	353910	DK 11 GR/GR/SW B 6FL	knob rotary gr/bla
	341382	KNOPF-TASTE 20X8 SW 3.3	push button black
	337044	VERSCHL-KAPPE 2633 DP-437	plug, hole
	348415	LÜFTER TYP FBA08A24H DC	fan dc 24V
	355463	SEITENTEIL LINKS LACKIERT	side panel left
	355464	SEITENTEIL RECHTS LACKIERT	side panel right
	355513	GRIFF POWERMATE 1000	handle
	358216	BEZ. SCHILD PSX 1000-GRIFF	label, handle
	349627	KABEL-KONFEKT 4POL 0.320M	ribbon cable assy 4-way
	346151	KABEL-KONFEKT 4POL 0.065M	ribbon cable assy 4-way
	355272	KABEL-KONFEKT-BUS 6POL 3X	ribbon cable assy 6-way
	355273	KABEL-KONFEKT-BUS 12POL 3X	ribbon cable assy 12-way
	355270	KABEL-KONFEKT 20POL 0.800M	ribbon cable assy 20-way
	355271	KABEL-KONFEKT 6POL 0.800M	ribbon cable assy 6-way
	355152	NIPPEL POWERMATE 1000	plastic nipple
	355151	SCHNAPPVERSCHLUSS SER.102	latch top cover
	358113	FB.PSX 1000 BED	front panel psx1000
	358114	BOD.PSX 1000 120V BED	base chassis psx1000
	358115	DEC.PSX 1000 BED	top cover psx1000
	354412	NT-RG.PSX1000 120V	mains transformer 120V
	348805	WI-SO PTC K155 100GRAD	safety component PTC
	348341	FEDERLEISTE 3POL CE100-	connector female 3-pole

170102 PSX 1000 120V				
Pos. Nr.	Best. Nr.			
Ref. No.	Part No.	Bezeichnung		Description
	348341	FEDERLEISTE	3POL	CE100- connector female 3-pole
813348 PCBAR#PM 1000				
				pcb assy "mic-channel"
CN01	348802	MESSERLST. 12POL		connector male 12-pin
CN02	345489	MESSERLST. 6POL		connector male 6-pin
C1A	340522	KO-EL	10.000MF 35V	cap electrolytic 10uF/35
C1B	340522	KO-EL	10.000MF 35V	cap electrolytic 10uF/35
C1C	340522	KO-EL	10.000MF 35V	cap electrolytic 10uF/35
C1D	340522	KO-EL	10.000MF 35V	cap electrolytic 10uF/35
C1E	340522	KO-EL	10.000MF 35V	cap electrolytic 10uF/35
C1F	340522	KO-EL	10.000MF 35V	cap electrolytic 10uF/35
C10A	301543	KO-KER	330.0PF 500V 10%	cap ceramic 330pF
C10B	301543	KO-KER	330.0PF 500V 10%	cap ceramic 330pF
C10C	301543	KO-KER	330.0PF 500V 10%	cap ceramic 330pF
C10D	301543	KO-KER	330.0PF 500V 10%	cap ceramic 330pF
C10E	301543	KO-KER	330.0PF 500V 10%	cap ceramic 330pF
C10F	301543	KO-KER	330.0PF 500V 10%	cap ceramic 330pF
C11A	346841	KO-EL	47.000MF 16V	cap electrolytic 47uF/16V
C11B	346841	KO-EL	47.000MF 16V	cap electrolytic 47uF/16V
C11C	346841	KO-EL	47.000MF 16V	cap electrolytic 47uF/16V
C11D	346841	KO-EL	47.000MF 16V	cap electrolytic 47uF/16V
C11E	346841	KO-EL	47.000MF 16V	cap electrolytic 47uF/16V
C11F	346841	KO-EL	47.000MF 16V	cap electrolytic 47uF/16V
C12A	336095	KO-FOL	0.100MF 63V 5%	cap mylar 100nF
C12B	336095	KO-FOL	0.100MF 63V 5%	cap mylar 100nF
C12C	336095	KO-FOL	0.100MF 63V 5%	cap mylar 100nF
C12D	336095	KO-FOL	0.100MF 63V 5%	cap mylar 100nF
C12E	336095	KO-FOL	0.100MF 63V 5%	cap mylar 100nF
C12F	336095	KO-FOL	0.100MF 63V 5%	cap mylar 100nF
C13A	336095	KO-FOL	0.100MF 63V 5%	cap mylar 100nF
C13B	336095	KO-FOL	0.100MF 63V 5%	cap mylar 100nF
C13C	336095	KO-FOL	0.100MF 63V 5%	cap mylar 100nF
C13D	336095	KO-FOL	0.100MF 63V 5%	cap mylar 100nF
C13E	336095	KO-FOL	0.100MF 63V 5%	cap mylar 100nF
C13F	336095	KO-FOL	0.100MF 63V 5%	cap mylar 100nF
C14A	336095	KO-FOL	0.100MF 63V 5%	cap mylar 100nF
C14B	336095	KO-FOL	0.100MF 63V 5%	cap mylar 100nF
C14C	336095	KO-FOL	0.100MF 63V 5%	cap mylar 100nF
C14D	336095	KO-FOL	0.100MF 63V 5%	cap mylar 100nF
C14E	336095	KO-FOL	0.100MF 63V 5%	cap mylar 100nF
C14F	336095	KO-FOL	0.100MF 63V 5%	cap mylar 100nF
C15A	340523	KO-EL	22.000MF 16V	cap electrolytic 22uF/16V
C15B	340523	KO-EL	22.000MF 16V	cap electrolytic 22uF/16V
C15C	340523	KO-EL	22.000MF 16V	cap electrolytic 22uF/16V
C15D	340523	KO-EL	22.000MF 16V	cap electrolytic 22uF/16V
C15E	340523	KO-EL	22.000MF 16V	cap electrolytic 22uF/16V
C15F	340523	KO-EL	22.000MF 16V	cap electrolytic 22uF/16V
C16A	346841	KO-EL	47.000MF 16V	cap electrolytic 47uF/16V
C16B	346841	KO-EL	47.000MF 16V	cap electrolytic 47uF/16V
C16C	346841	KO-EL	47.000MF 16V	cap electrolytic 47uF/16V
C16D	346841	KO-EL	47.000MF 16V	cap electrolytic 47uF/16V

170102 PSX 1000 120V					
Pos. Nr.	Best. Nr.				
Ref. No.	Part No.	Bezeichnung	Description		
C16E	346841	KO-EL	47.000MF	16V	cap electrolytic 47uF/16V
C16F	346841	KO-EL	47.000MF	16V	cap electrolytic 47uF/16V
C17A	336095	KO-FOL	0.100MF	63V 5%	cap mylar 100nF
C17B	336095	KO-FOL	0.100MF	63V 5%	cap mylar 100nF
C17C	336095	KO-FOL	0.100MF	63V 5%	cap mylar 100nF
C17D	336095	KO-FOL	0.100MF	63V 5%	cap mylar 100nF
C17E	336095	KO-FOL	0.100MF	63V 5%	cap mylar 100nF
C17F	336095	KO-FOL	0.100MF	63V 5%	cap mylar 100nF
C18A	326924	KO-FOL	2200.000PF	100V 5%	cap mylar 2200pF
C18B	326924	KO-FOL	2200.000PF	100V 5%	cap mylar 2200pF
C18C	326924	KO-FOL	2200.000PF	100V 5%	cap mylar 2200pF
C18D	326924	KO-FOL	2200.000PF	100V 5%	cap mylar 2200pF
C18E	326924	KO-FOL	2200.000PF	100V 5%	cap mylar 2200pF
C18F	326924	KO-FOL	2200.000PF	100V 5%	cap mylar 2200pF
C19A	326924	KO-FOL	2200.000PF	100V 5%	cap mylar 2200pF
C19B	326924	KO-FOL	2200.000PF	100V 5%	cap mylar 2200pF
C19C	326924	KO-FOL	2200.000PF	100V 5%	cap mylar 2200pF
C19D	326924	KO-FOL	2200.000PF	100V 5%	cap mylar 2200pF
C19E	326924	KO-FOL	2200.000PF	100V 5%	cap mylar 2200pF
C19F	326924	KO-FOL	2200.000PF	100V 5%	cap mylar 2200pF
C2A	340522	KO-EL	10.000MF	35V	cap electrolytic 10uF/35
C2B	340522	KO-EL	10.000MF	35V	cap electrolytic 10uF/35
C2C	340522	KO-EL	10.000MF	35V	cap electrolytic 10uF/35
C2D	340522	KO-EL	10.000MF	35V	cap electrolytic 10uF/35
C2E	340522	KO-EL	10.000MF	35V	cap electrolytic 10uF/35
C2F	340522	KO-EL	10.000MF	35V	cap electrolytic 10uF/35
C20A	340523	KO-EL	22.000MF	16V	cap electrolytic 22uF/16V
C20B	340523	KO-EL	22.000MF	16V	cap electrolytic 22uF/16V
C20C	340523	KO-EL	22.000MF	16V	cap electrolytic 22uF/16V
C20D	340523	KO-EL	22.000MF	16V	cap electrolytic 22uF/16V
C20E	340523	KO-EL	22.000MF	16V	cap electrolytic 22uF/16V
C20F	340523	KO-EL	22.000MF	16V	cap electrolytic 22uF/16V
C21A	336094	KO-FOL	6800.000PF	100V 5%	cap mylar 6800pF
C21B	336094	KO-FOL	6800.000PF	100V 5%	cap mylar 6800pF
C21C	336094	KO-FOL	6800.000PF	100V 5%	cap mylar 6800pF
C21D	336094	KO-FOL	6800.000PF	100V 5%	cap mylar 6800pF
C21E	336094	KO-FOL	6800.000PF	100V 5%	cap mylar 6800pF
C21F	336094	KO-FOL	6800.000PF	100V 5%	cap mylar 6800pF
C22A	340523	KO-EL	22.000MF	16V	cap electrolytic 22uF/16V
C22B	340523	KO-EL	22.000MF	16V	cap electrolytic 22uF/16V
C22C	340523	KO-EL	22.000MF	16V	cap electrolytic 22uF/16V
C22D	340523	KO-EL	22.000MF	16V	cap electrolytic 22uF/16V
C22E	340523	KO-EL	22.000MF	16V	cap electrolytic 22uF/16V
C22F	340523	KO-EL	22.000MF	16V	cap electrolytic 22uF/16V
C23A	345461	KO-KER	680.0PF	100V 10%	cap ceramic 680pF
C23B	345461	KO-KER	680.0PF	100V 10%	cap ceramic 680pF
C23C	345461	KO-KER	680.0PF	100V 10%	cap ceramic 680pF
C23D	345461	KO-KER	680.0PF	100V 10%	cap ceramic 680pF
C23E	345461	KO-KER	680.0PF	100V 10%	cap ceramic 680pF
C23F	345461	KO-KER	680.0PF	100V 10%	cap ceramic 680pF
C24A	345461	KO-KER	680.0PF	100V 10%	cap ceramic 680pF
C24B	345461	KO-KER	680.0PF	100V 10%	cap ceramic 680pF

170102 PSX 1000 120V						
Pos. Nr.	Best. Nr.	Bezeichnung			Description	
Ref. No.	Part No.					
C24C	345461	KO-KER	680.0PF	100V 10%	cap ceramic 680pF	
C24D	345461	KO-KER	680.0PF	100V 10%	cap ceramic 680pF	
C24E	345461	KO-KER	680.0PF	100V 10%	cap ceramic 680pF	
C24F	345461	KO-KER	680.0PF	100V 10%	cap ceramic 680pF	
C25A	340523	KO-EL	22.000MF	16V	cap electrolytic 22uF/16V	
C25B	340523	KO-EL	22.000MF	16V	cap electrolytic 22uF/16V	
C25C	340523	KO-EL	22.000MF	16V	cap electrolytic 22uF/16V	
C25D	340523	KO-EL	22.000MF	16V	cap electrolytic 22uF/16V	
C25E	340523	KO-EL	22.000MF	16V	cap electrolytic 22uF/16V	
C25F	340523	KO-EL	22.000MF	16V	cap electrolytic 22uF/16V	
C26A	300303	KO-FOL	1800.000PF	100V 5%	cap mylar 1800pF	
C26B	300303	KO-FOL	1800.000PF	100V 5%	cap mylar 1800pF	
C26C	300303	KO-FOL	1800.000PF	100V 5%	cap mylar 1800pF	
C26D	300303	KO-FOL	1800.000PF	100V 5%	cap mylar 1800pF	
C26E	300303	KO-FOL	1800.000PF	100V 5%	cap mylar 1800pF	
C26F	300303	KO-FOL	1800.000PF	100V 5%	cap mylar 1800pF	
C27A	335787	KO-KER	15.0PF	100V 2%	cap ceramic 15pF	
C27B	335787	KO-KER	15.0PF	100V 2%	cap ceramic 15pF	
C27C	335787	KO-KER	15.0PF	100V 2%	cap ceramic 15pF	
C27D	335787	KO-KER	15.0PF	100V 2%	cap ceramic 15pF	
C27E	335787	KO-KER	15.0PF	100V 2%	cap ceramic 15pF	
C27F	335787	KO-KER	15.0PF	100V 2%	cap ceramic 15pF	
C28A	327393	KO-FOL	4700.000PF	63V 5%	cap mylar 4700pF	
C28B	327393	KO-FOL	4700.000PF	63V 5%	cap mylar 4700pF	
C28C	327393	KO-FOL	4700.000PF	63V 5%	cap mylar 4700pF	
C28D	327393	KO-FOL	4700.000PF	63V 5%	cap mylar 4700pF	
C28E	327393	KO-FOL	4700.000PF	63V 5%	cap mylar 4700pF	
C28F	327393	KO-FOL	4700.000PF	63V 5%	cap mylar 4700pF	
C29A	336094	KO-FOL	6800.000PF	100V 5%	cap mylar 6800pF	
C29B	336094	KO-FOL	6800.000PF	100V 5%	cap mylar 6800pF	
C29C	336094	KO-FOL	6800.000PF	100V 5%	cap mylar 6800pF	
C29D	336094	KO-FOL	6800.000PF	100V 5%	cap mylar 6800pF	
C29E	336094	KO-FOL	6800.000PF	100V 5%	cap mylar 6800pF	
C29F	336094	KO-FOL	6800.000PF	100V 5%	cap mylar 6800pF	
C3A	345461	KO-KER	680.0PF	100V 10%	cap ceramic 680pF	
C3B	345461	KO-KER	680.0PF	100V 10%	cap ceramic 680pF	
C3C	345461	KO-KER	680.0PF	100V 10%	cap ceramic 680pF	
C3D	345461	KO-KER	680.0PF	100V 10%	cap ceramic 680pF	
C3E	345461	KO-KER	680.0PF	100V 10%	cap ceramic 680pF	
C3F	345461	KO-KER	680.0PF	100V 10%	cap ceramic 680pF	
C30A	342934	KO-FOL	0.033MF	100V 5%	cap mylar 33nF	
C30B	342934	KO-FOL	0.033MF	100V 5%	cap mylar 33nF	
C30C	342934	KO-FOL	0.033MF	100V 5%	cap mylar 33nF	
C30D	342934	KO-FOL	0.033MF	100V 5%	cap mylar 33nF	
C30E	342934	KO-FOL	0.033MF	100V 5%	cap mylar 33nF	
C30F	342934	KO-FOL	0.033MF	100V 5%	cap mylar 33nF	
C31A	340523	KO-EL	22.000MF	16V	cap electrolytic 22uF/16V	
C31B	340523	KO-EL	22.000MF	16V	cap electrolytic 22uF/16V	
C31C	340523	KO-EL	22.000MF	16V	cap electrolytic 22uF/16V	
C31D	340523	KO-EL	22.000MF	16V	cap electrolytic 22uF/16V	
C31E	340523	KO-EL	22.000MF	16V	cap electrolytic 22uF/16V	
C31F	340523	KO-EL	22.000MF	16V	cap electrolytic 22uF/16V	

170102 PSX 1000 120V						
Pos. Nr.	Best. Nr.				Description	
Ref. No.	Part No.	Bezeichnung				
C32A	342934	KO-FOL	0.033MF	100V 5%	cap mylar 33nF	
C32B	342934	KO-FOL	0.033MF	100V 5%	cap mylar 33nF	
C32C	342934	KO-FOL	0.033MF	100V 5%	cap mylar 33nF	
C32D	342934	KO-FOL	0.033MF	100V 5%	cap mylar 33nF	
C32E	342934	KO-FOL	0.033MF	100V 5%	cap mylar 33nF	
C32F	342934	KO-FOL	0.033MF	100V 5%	cap mylar 33nF	
C33A	301558	KO-KER	33.0PF	100V 2%	cap ceramic 33pF	
C33B	301558	KO-KER	33.0PF	100V 2%	cap ceramic 33pF	
C33C	301558	KO-KER	33.0PF	100V 2%	cap ceramic 33pF	
C33D	301558	KO-KER	33.0PF	100V 2%	cap ceramic 33pF	
C33E	301558	KO-KER	33.0PF	100V 2%	cap ceramic 33pF	
C33F	301558	KO-KER	33.0PF	100V 2%	cap ceramic 33pF	
C34A	336094	KO-FOL	6800.000PF	100V 5%	cap mylar 6800pF	
C34B	336094	KO-FOL	6800.000PF	100V 5%	cap mylar 6800pF	
C34C	336094	KO-FOL	6800.000PF	100V 5%	cap mylar 6800pF	
C34D	336094	KO-FOL	6800.000PF	100V 5%	cap mylar 6800pF	
C34E	336094	KO-FOL	6800.000PF	100V 5%	cap mylar 6800pF	
C34F	336094	KO-FOL	6800.000PF	100V 5%	cap mylar 6800pF	
C35A	340523	KO-EL	22.000MF	16V	cap electrolytic 22uF/16V	
C35B	340523	KO-EL	22.000MF	16V	cap electrolytic 22uF/16V	
C35C	340523	KO-EL	22.000MF	16V	cap electrolytic 22uF/16V	
C35D	340523	KO-EL	22.000MF	16V	cap electrolytic 22uF/16V	
C35E	340523	KO-EL	22.000MF	16V	cap electrolytic 22uF/16V	
C35F	340523	KO-EL	22.000MF	16V	cap electrolytic 22uF/16V	
C36A	340523	KO-EL	22.000MF	16V	cap electrolytic 22uF/16V	
C36B	340523	KO-EL	22.000MF	16V	cap electrolytic 22uF/16V	
C36C	340523	KO-EL	22.000MF	16V	cap electrolytic 22uF/16V	
C36D	340523	KO-EL	22.000MF	16V	cap electrolytic 22uF/16V	
C36E	340523	KO-EL	22.000MF	16V	cap electrolytic 22uF/16V	
C36F	340523	KO-EL	22.000MF	16V	cap electrolytic 22uF/16V	
C37A	301530	KO-KER	100.0PF	500V 10%	cap ceramic 100pF	
C37B	301530	KO-KER	100.0PF	500V 10%	cap ceramic 100pF	
C37C	301530	KO-KER	100.0PF	500V 10%	cap ceramic 100pF	
C37D	301530	KO-KER	100.0PF	500V 10%	cap ceramic 100pF	
C37E	301530	KO-KER	100.0PF	500V 10%	cap ceramic 100pF	
C37F	301530	KO-KER	100.0PF	500V 10%	cap ceramic 100pF	
C38A	340523	KO-EL	22.000MF	16V	cap electrolytic 22uF/16V	
C38B	340523	KO-EL	22.000MF	16V	cap electrolytic 22uF/16V	
C38C	340523	KO-EL	22.000MF	16V	cap electrolytic 22uF/16V	
C38D	340523	KO-EL	22.000MF	16V	cap electrolytic 22uF/16V	
C38E	340523	KO-EL	22.000MF	16V	cap electrolytic 22uF/16V	
C38F	340523	KO-EL	22.000MF	16V	cap electrolytic 22uF/16V	
C39A	301558	KO-KER	33.0PF	100V 2%	cap ceramic 33pF	
C39B	301558	KO-KER	33.0PF	100V 2%	cap ceramic 33pF	
C39C	301558	KO-KER	33.0PF	100V 2%	cap ceramic 33pF	
C39D	301558	KO-KER	33.0PF	100V 2%	cap ceramic 33pF	
C39E	301558	KO-KER	33.0PF	100V 2%	cap ceramic 33pF	
C39F	301558	KO-KER	33.0PF	100V 2%	cap ceramic 33pF	
C4A	343530	KO-EL	47.000MF	50V	cap electrolytic 47uF/50V	
C4B	343530	KO-EL	47.000MF	50V	cap electrolytic 47uF/50V	
C4C	343530	KO-EL	47.000MF	50V	cap electrolytic 47uF/50V	
C4D	343530	KO-EL	47.000MF	50V	cap electrolytic 47uF/50V	

170102 PSX 1000 120V					
Pos. Nr.	Best. Nr.				
Ref. No.	Part No.	Bezeichnung			Description
C4E	343530	KO-EL	47.000MF	50V	cap electrolytic 47uF/50V
C4F	343530	KO-EL	47.000MF	50V	cap electrolytic 47uF/50V
C5A	343530	KO-EL	47.000MF	50V	cap electrolytic 47uF/50V
C5B	343530	KO-EL	47.000MF	50V	cap electrolytic 47uF/50V
C5C	343530	KO-EL	47.000MF	50V	cap electrolytic 47uF/50V
C5D	343530	KO-EL	47.000MF	50V	cap electrolytic 47uF/50V
C5E	343530	KO-EL	47.000MF	50V	cap electrolytic 47uF/50V
C5F	343530	KO-EL	47.000MF	50V	cap electrolytic 47uF/50V
C6A	345461	KO-KER	680.0PF	100V 10%	cap ceramic 680pF
C6B	345461	KO-KER	680.0PF	100V 10%	cap ceramic 680pF
C6C	345461	KO-KER	680.0PF	100V 10%	cap ceramic 680pF
C6D	345461	KO-KER	680.0PF	100V 10%	cap ceramic 680pF
C6E	345461	KO-KER	680.0PF	100V 10%	cap ceramic 680pF
C6F	345461	KO-KER	680.0PF	100V 10%	cap ceramic 680pF
C60A	329021	KO-KER	0.10MF	100V 20%	cap ceramic 100nF
C60B	329021	KO-KER	0.10MF	100V 20%	cap ceramic 100nF
C60C	329021	KO-KER	0.10MF	100V 20%	cap ceramic 100nF
C60D	329021	KO-KER	0.10MF	100V 20%	cap ceramic 100nF
C60E	329021	KO-KER	0.10MF	100V 20%	cap ceramic 100nF
C60F	329021	KO-KER	0.10MF	100V 20%	cap ceramic 100nF
C61A	340522	KO-EL	10.000MF	35V	cap electrolytic 10uF/35
C61B	340522	KO-EL	10.000MF	35V	cap electrolytic 10uF/35
C61C	340522	KO-EL	10.000MF	35V	cap electrolytic 10uF/35
C62A	343532	KO-EL	100.000MF	25V	cap electrolytic 100uF/25V
C62B	343532	KO-EL	100.000MF	25V	cap electrolytic 100uF/25V
C62C	343532	KO-EL	100.000MF	25V	cap electrolytic 100uF/25V
C63A	343532	KO-EL	100.000MF	25V	cap electrolytic 100uF/25V
C63B	343532	KO-EL	100.000MF	25V	cap electrolytic 100uF/25V
C63C	343532	KO-EL	100.000MF	25V	cap electrolytic 100uF/25V
C64A	329021	KO-KER	0.10MF	100V 20%	cap ceramic 100nF
C64B	329021	KO-KER	0.10MF	100V 20%	cap ceramic 100nF
C64C	329021	KO-KER	0.10MF	100V 20%	cap ceramic 100nF
C65A	329021	KO-KER	0.10MF	100V 20%	cap ceramic 100nF
C65B	329021	KO-KER	0.10MF	100V 20%	cap ceramic 100nF
C65C	329021	KO-KER	0.10MF	100V 20%	cap ceramic 100nF
C66A	329021	KO-KER	0.10MF	100V 20%	cap ceramic 100nF
C66B	329021	KO-KER	0.10MF	100V 20%	cap ceramic 100nF
C66C	329021	KO-KER	0.10MF	100V 20%	cap ceramic 100nF
C67A	329021	KO-KER	0.10MF	100V 20%	cap ceramic 100nF
C67B	329021	KO-KER	0.10MF	100V 20%	cap ceramic 100nF
C67C	329021	KO-KER	0.10MF	100V 20%	cap ceramic 100nF
C68A	329021	KO-KER	0.10MF	100V 20%	cap ceramic 100nF
C68B	329021	KO-KER	0.10MF	100V 20%	cap ceramic 100nF
C68C	329021	KO-KER	0.10MF	100V 20%	cap ceramic 100nF
C69A	329021	KO-KER	0.10MF	100V 20%	cap ceramic 100nF
C69B	329021	KO-KER	0.10MF	100V 20%	cap ceramic 100nF
C69C	329021	KO-KER	0.10MF	100V 20%	cap ceramic 100nF
C7A	345461	KO-KER	680.0PF	100V 10%	cap ceramic 680pF
C7B	345461	KO-KER	680.0PF	100V 10%	cap ceramic 680pF
C7C	345461	KO-KER	680.0PF	100V 10%	cap ceramic 680pF
C7D	345461	KO-KER	680.0PF	100V 10%	cap ceramic 680pF
C7E	345461	KO-KER	680.0PF	100V 10%	cap ceramic 680pF

170102 PSX 1000 120V					
Pos. Nr.	Best. Nr.				Description
Ref. No.	Part No.	Bezeichnung			
C7F	345461	KO-KER	680.0PF	100V 10%	cap ceramic 680pF
C8A	301543	KO-KER	330.0PF	500V 10%	cap ceramic 330pF
C8B	301543	KO-KER	330.0PF	500V 10%	cap ceramic 330pF
C8C	301543	KO-KER	330.0PF	500V 10%	cap ceramic 330pF
C8D	301543	KO-KER	330.0PF	500V 10%	cap ceramic 330pF
C8E	301543	KO-KER	330.0PF	500V 10%	cap ceramic 330pF
C8F	301543	KO-KER	330.0PF	500V 10%	cap ceramic 330pF
C80A	340520	KO-EL	1.000MF	50V	cap electrolytic 1uF/50V
C80B	340520	KO-EL	1.000MF	50V	cap electrolytic 1uF/50V
C80C	340520	KO-EL	1.000MF	50V	cap electrolytic 1uF/50V
C80D	340520	KO-EL	1.000MF	50V	cap electrolytic 1uF/50V
C80E	340520	KO-EL	1.000MF	50V	cap electrolytic 1uF/50V
C80F	340520	KO-EL	1.000MF	50V	cap electrolytic 1uF/50V
C81A	329021	KO-KER	0.10MF	100V 20%	cap ceramic 100nF
C81B	329021	KO-KER	0.10MF	100V 20%	cap ceramic 100nF
C81C	329021	KO-KER	0.10MF	100V 20%	cap ceramic 100nF
C81D	329021	KO-KER	0.10MF	100V 20%	cap ceramic 100nF
C81E	329021	KO-KER	0.10MF	100V 20%	cap ceramic 100nF
C81F	329021	KO-KER	0.10MF	100V 20%	cap ceramic 100nF
C9A	354031	KO-EL	470.000MF	10V	cap electrolytic 470uF/10V
C9B	354031	KO-EL	470.000MF	10V	cap electrolytic 470uF/10V
C9C	354031	KO-EL	470.000MF	10V	cap electrolytic 470uF/10V
C9D	354031	KO-EL	470.000MF	10V	cap electrolytic 470uF/10V
C9E	354031	KO-EL	470.000MF	10V	cap electrolytic 470uF/10V
C9F	354031	KO-EL	470.000MF	10V	cap electrolytic 470uF/10V
D1A	301254	DIODE	1N 4148	AXIAL	diode 1N 4148
D1B	301254	DIODE	1N 4148	AXIAL	diode 1N 4148
D1C	301254	DIODE	1N 4148	AXIAL	diode 1N 4148
D1D	301254	DIODE	1N 4148	AXIAL	diode 1N 4148
D1E	301254	DIODE	1N 4148	AXIAL	diode 1N 4148
D1F	301254	DIODE	1N 4148	AXIAL	diode 1N 4148
D2A	301254	DIODE	1N 4148	AXIAL	diode 1N 4148
D2B	301254	DIODE	1N 4148	AXIAL	diode 1N 4148
D2C	301254	DIODE	1N 4148	AXIAL	diode 1N 4148
D2D	301254	DIODE	1N 4148	AXIAL	diode 1N 4148
D2E	301254	DIODE	1N 4148	AXIAL	diode 1N 4148
D2F	301254	DIODE	1N 4148	AXIAL	diode 1N 4148
D4A	301254	DIODE	1N 4148	AXIAL	diode 1N 4148
D4B	301254	DIODE	1N 4148	AXIAL	diode 1N 4148
D4C	301254	DIODE	1N 4148	AXIAL	diode 1N 4148
D4D	301254	DIODE	1N 4148	AXIAL	diode 1N 4148
D4E	301254	DIODE	1N 4148	AXIAL	diode 1N 4148
D4F	301254	DIODE	1N 4148	AXIAL	diode 1N 4148
D5A	354004	LED GN	3MM	LOW CURRENT	led green
D5B	354004	LED GN	3MM	LOW CURRENT	led green
D5C	354004	LED GN	3MM	LOW CURRENT	led green
D5D	354004	LED GN	3MM	LOW CURRENT	led green
D5E	354004	LED GN	3MM	LOW CURRENT	led green
D5F	354004	LED GN	3MM	LOW CURRENT	led green
D6A	354003	LED RT	3MM	LOW CURRENT	led red
D6B	354003	LED RT	3MM	LOW CURRENT	led red
D6C	354003	LED RT	3MM	LOW CURRENT	led red

170102 PSX 1000 120V					
Pos. Nr.	Best. Nr.	Bezeichnung			Description
Ref. No.	Part No.				
D6D	354003	LED RT	3MM	LOW CURRENT	led red
D6E	354003	LED RT	3MM	LOW CURRENT	led red
D6F	354003	LED RT	3MM	LOW CURRENT	led red
D7A	301254	DIODE 1N 4148		AXIAL	diode 1N 4148
D7B	301254	DIODE 1N 4148		AXIAL	diode 1N 4148
D7C	301254	DIODE 1N 4148		AXIAL	diode 1N 4148
D7D	301254	DIODE 1N 4148		AXIAL	diode 1N 4148
D7E	301254	DIODE 1N 4148		AXIAL	diode 1N 4148
D7F	301254	DIODE 1N 4148		AXIAL	diode 1N 4148
D8A	301254	DIODE 1N 4148		AXIAL	diode 1N 4148
D8B	301254	DIODE 1N 4148		AXIAL	diode 1N 4148
D8C	301254	DIODE 1N 4148		AXIAL	diode 1N 4148
D8D	301254	DIODE 1N 4148		AXIAL	diode 1N 4148
D8E	301254	DIODE 1N 4148		AXIAL	diode 1N 4148
D8F	301254	DIODE 1N 4148		AXIAL	diode 1N 4148
I1A	327197	IC NE 5532 P		2FACH OP	IC NE 5532 N
I1B	327197	IC NE 5532 P		2FACH OP	IC NE 5532 N
I1C	327197	IC NE 5532 P		2FACH OP	IC NE 5532 N
I2A	331340	IC TL 072 CP		2FACH OP	IC TL 072 CP
I2B	331340	IC TL 072 CP		2FACH OP	IC TL 072 CP
I2C	331340	IC TL 072 CP		2FACH OP	IC TL 072 CP
I3A	327197	IC NE 5532 P		2FACH OP	IC NE 5532 N
I3B	327197	IC NE 5532 P		2FACH OP	IC NE 5532 N
I3C	327197	IC NE 5532 P		2FACH OP	IC NE 5532 N
I4A	331340	IC TL 072 CP		2FACH OP	IC TL 072 CP
I4B	331340	IC TL 072 CP		2FACH OP	IC TL 072 CP
I4C	331340	IC TL 072 CP		2FACH OP	IC TL 072 CP
I5A	331340	IC TL 072 CP		2FACH OP	IC TL 072 CP
I5B	331340	IC TL 072 CP		2FACH OP	IC TL 072 CP
I5C	331340	IC TL 072 CP		2FACH OP	IC TL 072 CP
I6A	327197	IC NE 5532 P		2FACH OP	IC NE 5532 N
I6B	327197	IC NE 5532 P		2FACH OP	IC NE 5532 N
I6C	327197	IC NE 5532 P		2FACH OP	IC NE 5532 N
I7A	343502	IC LM 2901 N			IC LM 2901
I7B	343502	IC LM 2901 N			IC LM 2901
I7C	343502	IC LM 2901 N			IC LM 2901
JS1A	354000	BUCHSE-FL. XLR 3POL		SW	xlr connector female
JS1B	354000	BUCHSE-FL. XLR 3POL		SW	xlr connector female
JS1C	354000	BUCHSE-FL. XLR 3POL		SW	xlr connector female
JS1D	354000	BUCHSE-FL. XLR 3POL		SW	xlr connector female
JS1E	354000	BUCHSE-FL. XLR 3POL		SW	xlr connector female
JS1F	354000	BUCHSE-FL. XLR 3POL		SW	xlr connector female
JS2A	354001	BUCHSE-KOAXIAL-STEREO			phone jack stereo
JS2B	354001	BUCHSE-KOAXIAL-STEREO			phone jack stereo
JS2C	354001	BUCHSE-KOAXIAL-STEREO			phone jack stereo
JS2D	354001	BUCHSE-KOAXIAL-STEREO			phone jack stereo
JS2E	354001	BUCHSE-KOAXIAL-STEREO			phone jack stereo
JS2F	354001	BUCHSE-KOAXIAL-STEREO			phone jack stereo
JS3A	354001	BUCHSE-KOAXIAL-STEREO			phone jack stereo
JS3B	354001	BUCHSE-KOAXIAL-STEREO			phone jack stereo
JS3C	354001	BUCHSE-KOAXIAL-STEREO			phone jack stereo
JS3D	354001	BUCHSE-KOAXIAL-STEREO			phone jack stereo

170102 PSX 1000 120V					
Pos. Nr.	Best. Nr.				
Ref. No.	Part No.	Bezeichnung		Description	
JS3E	354001	BUCHSE-KOAXIAL-STEREO		phone jack stereo	
JS3F	354001	BUCHSE-KOAXIAL-STEREO		phone jack stereo	
Q1A	343536	TRANS 2SA 1084 E	TO 92	transistor 2SA 1084 E	
Q1B	343536	TRANS 2SA 1084 E	TO 92	transistor 2SA 1084 E	
Q1C	343536	TRANS 2SA 1084 E	TO 92	transistor 2SA 1084 E	
Q1D	343536	TRANS 2SA 1084 E	TO 92	transistor 2SA 1084 E	
Q1E	343536	TRANS 2SA 1084 E	TO 92	transistor 2SA 1084 E	
Q1F	343536	TRANS 2SA 1084 E	TO 92	transistor 2SA 1084 E	
Q2A	301184	TRANS BC 550 C		transistor BC 550 B	
Q2B	301184	TRANS BC 550 C		transistor BC 550 B	
Q2C	301184	TRANS BC 550 C		transistor BC 550 B	
Q2D	301184	TRANS BC 550 C		transistor BC 550 B	
Q2E	301184	TRANS BC 550 C		transistor BC 550 B	
Q2F	301184	TRANS BC 550 C		transistor BC 550 B	
Q3A	343536	TRANS 2SA 1084 E	TO 92	transistor 2SA 1084 E	
Q3B	343536	TRANS 2SA 1084 E	TO 92	transistor 2SA 1084 E	
Q3C	343536	TRANS 2SA 1084 E	TO 92	transistor 2SA 1084 E	
Q3D	343536	TRANS 2SA 1084 E	TO 92	transistor 2SA 1084 E	
Q3E	343536	TRANS 2SA 1084 E	TO 92	transistor 2SA 1084 E	
Q3F	343536	TRANS 2SA 1084 E	TO 92	transistor 2SA 1084 E	
Q4A	301184	TRANS BC 550 C		transistor BC 550 B	
Q4B	301184	TRANS BC 550 C		transistor BC 550 B	
Q4C	301184	TRANS BC 550 C		transistor BC 550 B	
Q4D	301184	TRANS BC 550 C		transistor BC 550 B	
Q4E	301184	TRANS BC 550 C		transistor BC 550 B	
Q4F	301184	TRANS BC 550 C		transistor BC 550 B	
R62A	329215	WI-SI 10.00 OHM 0.30W 5%		safety resistor 10 Ohm	
R62B	329215	WI-SI 10.00 OHM 0.30W 5%		safety resistor 10 Ohm	
R62C	329215	WI-SI 10.00 OHM 0.30W 5%		safety resistor 10 Ohm	
R63A	329215	WI-SI 10.00 OHM 0.30W 5%		safety resistor 10 Ohm	
R63B	329215	WI-SI 10.00 OHM 0.30W 5%		safety resistor 10 Ohm	
R63C	329215	WI-SI 10.00 OHM 0.30W 5%		safety resistor 10 Ohm	
S1A	354006	SCHALTER-RAST 2XUM		switch 2pdt	
S1B	354006	SCHALTER-RAST 2XUM		switch 2pdt	
S1C	354006	SCHALTER-RAST 2XUM		switch 2pdt	
S1D	354006	SCHALTER-RAST 2XUM		switch 2pdt	
S1E	354006	SCHALTER-RAST 2XUM		switch 2pdt	
S1F	354006	SCHALTER-RAST 2XUM		switch 2pdt	
S2A	354006	SCHALTER-RAST 2XUM		switch 2pdt	
S2B	354006	SCHALTER-RAST 2XUM		switch 2pdt	
S2C	354006	SCHALTER-RAST 2XUM		switch 2pdt	
S2D	354006	SCHALTER-RAST 2XUM		switch 2pdt	
S2E	354006	SCHALTER-RAST 2XUM		switch 2pdt	
S2F	354006	SCHALTER-RAST 2XUM		switch 2pdt	
S3A	354006	SCHALTER-RAST 2XUM		switch 2pdt	
S3B	354006	SCHALTER-RAST 2XUM		switch 2pdt	
S3C	354006	SCHALTER-RAST 2XUM		switch 2pdt	
S3D	354006	SCHALTER-RAST 2XUM		switch 2pdt	
S3E	354006	SCHALTER-RAST 2XUM		switch 2pdt	
S3F	354006	SCHALTER-RAST 2XUM		switch 2pdt	
VR06A	354262	P-SHIB 10KOHM LOG POS	A	fader 10k A	
VR06B	354262	P-SHIB 10KOHM LOG POS	A	fader 10k A	

170102 PSX 1000 120V					
Pos. Nr.	Best. Nr.				
Ref. No.	Part No.	Bezeichnung			Description
VR06C	354262	P-SHIB	10KOHM LOG POS	A	fader 10k A
VR06D	354262	P-SHIB	10KOHM LOG POS	A	fader 10k A
VR06E	354262	P-SHIB	10KOHM LOG POS	A	fader 10k A
VR06F	354262	P-SHIB	10KOHM LOG POS	A	fader 10k A
VR1A	352323	P-DREH	5KOHM LOG NEG	XX	pot 5k XX
VR1B	352323	P-DREH	5KOHM LOG NEG	XX	pot 5k XX
VR1C	352323	P-DREH	5KOHM LOG NEG	XX	pot 5k XX
VR1D	352323	P-DREH	5KOHM LOG NEG	XX	pot 5k XX
VR1E	352323	P-DREH	5KOHM LOG NEG	XX	pot 5k XX
VR1F	352323	P-DREH	5KOHM LOG NEG	XX	pot 5k XX
VR10A	352329	P-DREH 2X	20KOHM LOG POS	K	pot 2x20k K
VR10B	352329	P-DREH 2X	20KOHM LOG POS	K	pot 2x20k K
VR10C	352329	P-DREH 2X	20KOHM LOG POS	K	pot 2x20k K
VR10D	352329	P-DREH 2X	20KOHM LOG POS	K	pot 2x20k K
VR10E	352329	P-DREH 2X	20KOHM LOG POS	K	pot 2x20k K
VR10F	352329	P-DREH 2X	20KOHM LOG POS	K	pot 2x20k K
VR2A	352325	P-DREH	10KOHM LIN	B	pot 10k B
VR2B	352325	P-DREH	10KOHM LIN	B	pot 10k B
VR2C	352325	P-DREH	10KOHM LIN	B	pot 10k B
VR2D	352325	P-DREH	10KOHM LIN	B	pot 10k B
VR2E	352325	P-DREH	10KOHM LIN	B	pot 10k B
VR2F	352325	P-DREH	10KOHM LIN	B	pot 10k B
VR3A	352326	P-DREH 2X	500KOHM LOG NEG	C	pot 2x500k C
VR3B	352326	P-DREH 2X	500KOHM LOG NEG	C	pot 2x500k C
VR3C	352326	P-DREH 2X	500KOHM LOG NEG	C	pot 2x500k C
VR3D	352326	P-DREH 2X	500KOHM LOG NEG	C	pot 2x500k C
VR3E	352326	P-DREH 2X	500KOHM LOG NEG	C	pot 2x500k C
VR3F	352326	P-DREH 2X	500KOHM LOG NEG	C	pot 2x500k C
VR4A	352324	P-DREH	50KOHM LIN	B	pot 50k B
VR4B	352324	P-DREH	50KOHM LIN	B	pot 50k B
VR4C	352324	P-DREH	50KOHM LIN	B	pot 50k B
VR4D	352324	P-DREH	50KOHM LIN	B	pot 50k B
VR4E	352324	P-DREH	50KOHM LIN	B	pot 50k B
VR4F	352324	P-DREH	50KOHM LIN	B	pot 50k B
VR5A	352324	P-DREH	50KOHM LIN	B	pot 50k B
VR5B	352324	P-DREH	50KOHM LIN	B	pot 50k B
VR5C	352324	P-DREH	50KOHM LIN	B	pot 50k B
VR5D	352324	P-DREH	50KOHM LIN	B	pot 50k B
VR5E	352324	P-DREH	50KOHM LIN	B	pot 50k B
VR5F	352324	P-DREH	50KOHM LIN	B	pot 50k B
VR7A	352327	P-DREH 2X	10KOHM	AC	pot 2x10k AC
VR7B	352327	P-DREH 2X	10KOHM	AC	pot 2x10k AC
VR7C	352327	P-DREH 2X	10KOHM	AC	pot 2x10k AC
VR7D	352327	P-DREH 2X	10KOHM	AC	pot 2x10k AC
VR7E	352327	P-DREH 2X	10KOHM	AC	pot 2x10k AC
VR7F	352327	P-DREH 2X	10KOHM	AC	pot 2x10k AC
VR8A	352328	P-DREH	20KOHM LOG POS	K	pot 20k K
VR8B	352328	P-DREH	20KOHM LOG POS	K	pot 20k K
VR8C	352328	P-DREH	20KOHM LOG POS	K	pot 20k K
VR8D	352328	P-DREH	20KOHM LOG POS	K	pot 20k K
VR8E	352328	P-DREH	20KOHM LOG POS	K	pot 20k K
VR8F	352328	P-DREH	20KOHM LOG POS	K	pot 20k K

170102 PSX 1000 120V					
Pos. Nr.	Best. Nr.				
Ref. No.	Part No.	Bezeichnung			Description
VR9A	352328	P-DREH	20KOHM	LOG POS K	pot 20k K
VR9B	352328	P-DREH	20KOHM	LOG POS K	pot 20k K
VR9C	352328	P-DREH	20KOHM	LOG POS K	pot 20k K
VR9D	352328	P-DREH	20KOHM	LOG POS K	pot 20k K
VR9E	352328	P-DREH	20KOHM	LOG POS K	pot 20k K
VR9F	352328	P-DREH	20KOHM	LOG POS K	pot 20k K

813368 PCBAR#PM 1000						pcb assy "line-channel"
CN001	348802	MESSERLST. 12POL			connector male 12-pin	
CN002	345489	MESSERLST. 6POL			connector male 6-pin	
C001A	345461	KO-KER	680.0PF	100V 10%	cap ceramic 680pF	
C001B	345461	KO-KER	680.0PF	100V 10%	cap ceramic 680pF	
C001C	345461	KO-KER	680.0PF	100V 10%	cap ceramic 680pF	
C001D	345461	KO-KER	680.0PF	100V 10%	cap ceramic 680pF	
C002A	345461	KO-KER	680.0PF	100V 10%	cap ceramic 680pF	
C002B	345461	KO-KER	680.0PF	100V 10%	cap ceramic 680pF	
C002C	345461	KO-KER	680.0PF	100V 10%	cap ceramic 680pF	
C002D	345461	KO-KER	680.0PF	100V 10%	cap ceramic 680pF	
C003A	345461	KO-KER	680.0PF	100V 10%	cap ceramic 680pF	
C003B	345461	KO-KER	680.0PF	100V 10%	cap ceramic 680pF	
C003C	345461	KO-KER	680.0PF	100V 10%	cap ceramic 680pF	
C003D	345461	KO-KER	680.0PF	100V 10%	cap ceramic 680pF	
C004A	343530	KO-EL	47.000MF	50V	cap electrolytic 47uF/50V	
C004B	343530	KO-EL	47.000MF	50V	cap electrolytic 47uF/50V	
C004C	343530	KO-EL	47.000MF	50V	cap electrolytic 47uF/50V	
C004D	343530	KO-EL	47.000MF	50V	cap electrolytic 47uF/50V	
C005A	343530	KO-EL	47.000MF	50V	cap electrolytic 47uF/50V	
C005B	343530	KO-EL	47.000MF	50V	cap electrolytic 47uF/50V	
C005C	343530	KO-EL	47.000MF	50V	cap electrolytic 47uF/50V	
C005D	343530	KO-EL	47.000MF	50V	cap electrolytic 47uF/50V	
C006A	301543	KO-KER	330.0PF	500V 10%	cap ceramic 330pF	
C006B	301543	KO-KER	330.0PF	500V 10%	cap ceramic 330pF	
C006C	301543	KO-KER	330.0PF	500V 10%	cap ceramic 330pF	
C006D	301543	KO-KER	330.0PF	500V 10%	cap ceramic 330pF	
C007A	354031	KO-EL	470.000MF	10V	cap electrolytic 470uF/10V	
C007B	354031	KO-EL	470.000MF	10V	cap electrolytic 470uF/10V	
C007C	354031	KO-EL	470.000MF	10V	cap electrolytic 470uF/10V	
C007D	354031	KO-EL	470.000MF	10V	cap electrolytic 470uF/10V	
C008A	301543	KO-KER	330.0PF	500V 10%	cap ceramic 330pF	
C008B	301543	KO-KER	330.0PF	500V 10%	cap ceramic 330pF	
C008C	301543	KO-KER	330.0PF	500V 10%	cap ceramic 330pF	
C008D	301543	KO-KER	330.0PF	500V 10%	cap ceramic 330pF	
C009A	301558	KO-KER	33.0PF	100V 2%	cap ceramic 33pF	
C009B	301558	KO-KER	33.0PF	100V 2%	cap ceramic 33pF	
C009C	301558	KO-KER	33.0PF	100V 2%	cap ceramic 33pF	
C009D	301558	KO-KER	33.0PF	100V 2%	cap ceramic 33pF	
C010A	329021	KO-KER	0.10MF	100V 20%	cap ceramic 100nF	
C010B	329021	KO-KER	0.10MF	100V 20%	cap ceramic 100nF	
C010C	329021	KO-KER	0.10MF	100V 20%	cap ceramic 100nF	
C010D	329021	KO-KER	0.10MF	100V 20%	cap ceramic 100nF	
C020A	345461	KO-KER	680.0PF	100V 10%	cap ceramic 680pF	

170102 PSX 1000 120V					
Pos. Nr.	Best. Nr.	Bezeichnung			Description
Ref. No.	Part No.				
C020B	345461	KO-KER	680.0PF	100V 10%	cap ceramic 680pF
C020C	345461	KO-KER	680.0PF	100V 10%	cap ceramic 680pF
C020D	345461	KO-KER	680.0PF	100V 10%	cap ceramic 680pF
C021A	345461	KO-KER	680.0PF	100V 10%	cap ceramic 680pF
C021B	345461	KO-KER	680.0PF	100V 10%	cap ceramic 680pF
C021C	345461	KO-KER	680.0PF	100V 10%	cap ceramic 680pF
C021D	345461	KO-KER	680.0PF	100V 10%	cap ceramic 680pF
C022A	345461	KO-KER	680.0PF	100V 10%	cap ceramic 680pF
C022B	345461	KO-KER	680.0PF	100V 10%	cap ceramic 680pF
C022C	345461	KO-KER	680.0PF	100V 10%	cap ceramic 680pF
C022D	345461	KO-KER	680.0PF	100V 10%	cap ceramic 680pF
C023A	345461	KO-KER	680.0PF	100V 10%	cap ceramic 680pF
C023B	345461	KO-KER	680.0PF	100V 10%	cap ceramic 680pF
C023C	345461	KO-KER	680.0PF	100V 10%	cap ceramic 680pF
C023D	345461	KO-KER	680.0PF	100V 10%	cap ceramic 680pF
C024A	306059	KO-KER	3.9PF	500V0.25	cap ceramic 3.9pF
C024B	306059	KO-KER	3.9PF	500V0.25	cap ceramic 3.9pF
C024C	306059	KO-KER	3.9PF	500V0.25	cap ceramic 3.9pF
C024D	306059	KO-KER	3.9PF	500V0.25	cap ceramic 3.9pF
C025A	306059	KO-KER	3.9PF	500V0.25	cap ceramic 3.9pF
C025B	306059	KO-KER	3.9PF	500V0.25	cap ceramic 3.9pF
C025C	306059	KO-KER	3.9PF	500V0.25	cap ceramic 3.9pF
C025D	306059	KO-KER	3.9PF	500V0.25	cap ceramic 3.9pF
C026A	306059	KO-KER	3.9PF	500V0.25	cap ceramic 3.9pF
C026B	306059	KO-KER	3.9PF	500V0.25	cap ceramic 3.9pF
C026C	306059	KO-KER	3.9PF	500V0.25	cap ceramic 3.9pF
C026D	306059	KO-KER	3.9PF	500V0.25	cap ceramic 3.9pF
C027A	306059	KO-KER	3.9PF	500V0.25	cap ceramic 3.9pF
C027B	306059	KO-KER	3.9PF	500V0.25	cap ceramic 3.9pF
C027C	306059	KO-KER	3.9PF	500V0.25	cap ceramic 3.9pF
C027D	306059	KO-KER	3.9PF	500V0.25	cap ceramic 3.9pF
C028A	354031	KO-EL	470.000MF	10V	cap electrolytic 470uF/10V
C028B	354031	KO-EL	470.000MF	10V	cap electrolytic 470uF/10V
C028C	354031	KO-EL	470.000MF	10V	cap electrolytic 470uF/10V
C028D	354031	KO-EL	470.000MF	10V	cap electrolytic 470uF/10V
C029A	354031	KO-EL	470.000MF	10V	cap electrolytic 470uF/10V
C029B	354031	KO-EL	470.000MF	10V	cap electrolytic 470uF/10V
C029C	354031	KO-EL	470.000MF	10V	cap electrolytic 470uF/10V
C029D	354031	KO-EL	470.000MF	10V	cap electrolytic 470uF/10V
C030A	301558	KO-KER	33.0PF	100V 2%	cap ceramic 33pF
C030B	301558	KO-KER	33.0PF	100V 2%	cap ceramic 33pF
C030C	301558	KO-KER	33.0PF	100V 2%	cap ceramic 33pF
C030D	301558	KO-KER	33.0PF	100V 2%	cap ceramic 33pF
C031A	301558	KO-KER	33.0PF	100V 2%	cap ceramic 33pF
C031B	301558	KO-KER	33.0PF	100V 2%	cap ceramic 33pF
C031C	301558	KO-KER	33.0PF	100V 2%	cap ceramic 33pF
C031D	301558	KO-KER	33.0PF	100V 2%	cap ceramic 33pF
C032A	340523	KO-EL	22.000MF	16V	cap electrolytic 22uF/16V
C032B	340523	KO-EL	22.000MF	16V	cap electrolytic 22uF/16V
C032C	340523	KO-EL	22.000MF	16V	cap electrolytic 22uF/16V
C032D	340523	KO-EL	22.000MF	16V	cap electrolytic 22uF/16V
C033A	340523	KO-EL	22.000MF	16V	cap electrolytic 22uF/16V

170102 PSX 1000 120V					
Pos. Nr.	Best. Nr.	Bezeichnung			Description
Ref. No.	Part No.				
C033B	340523	KO-EL	22.000MF	16V	cap electrolytic 22uF/16V
C033C	340523	KO-EL	22.000MF	16V	cap electrolytic 22uF/16V
C033D	340523	KO-EL	22.000MF	16V	cap electrolytic 22uF/16V
C034A	342932	KO-FOL	0.015MF	100V 5%	cap mylar 15nF
C034B	342932	KO-FOL	0.015MF	100V 5%	cap mylar 15nF
C034C	342932	KO-FOL	0.015MF	100V 5%	cap mylar 15nF
C034D	342932	KO-FOL	0.015MF	100V 5%	cap mylar 15nF
C035A	342932	KO-FOL	0.015MF	100V 5%	cap mylar 15nF
C035B	342932	KO-FOL	0.015MF	100V 5%	cap mylar 15nF
C035C	342932	KO-FOL	0.015MF	100V 5%	cap mylar 15nF
C035D	342932	KO-FOL	0.015MF	100V 5%	cap mylar 15nF
C036A	342934	KO-FOL	0.033MF	100V 5%	cap mylar 33nF
C036B	342934	KO-FOL	0.033MF	100V 5%	cap mylar 33nF
C036C	342934	KO-FOL	0.033MF	100V 5%	cap mylar 33nF
C036D	342934	KO-FOL	0.033MF	100V 5%	cap mylar 33nF
C037A	342934	KO-FOL	0.033MF	100V 5%	cap mylar 33nF
C037B	342934	KO-FOL	0.033MF	100V 5%	cap mylar 33nF
C037C	342934	KO-FOL	0.033MF	100V 5%	cap mylar 33nF
C037D	342934	KO-FOL	0.033MF	100V 5%	cap mylar 33nF
C038A	342932	KO-FOL	0.015MF	100V 5%	cap mylar 15nF
C038B	342932	KO-FOL	0.015MF	100V 5%	cap mylar 15nF
C038C	342932	KO-FOL	0.015MF	100V 5%	cap mylar 15nF
C038D	342932	KO-FOL	0.015MF	100V 5%	cap mylar 15nF
C039A	342932	KO-FOL	0.015MF	100V 5%	cap mylar 15nF
C039B	342932	KO-FOL	0.015MF	100V 5%	cap mylar 15nF
C039C	342932	KO-FOL	0.015MF	100V 5%	cap mylar 15nF
C039D	342932	KO-FOL	0.015MF	100V 5%	cap mylar 15nF
C040A	342932	KO-FOL	0.015MF	100V 5%	cap mylar 15nF
C040B	342932	KO-FOL	0.015MF	100V 5%	cap mylar 15nF
C040C	342932	KO-FOL	0.015MF	100V 5%	cap mylar 15nF
C040D	342932	KO-FOL	0.015MF	100V 5%	cap mylar 15nF
C041A	342932	KO-FOL	0.015MF	100V 5%	cap mylar 15nF
C041B	342932	KO-FOL	0.015MF	100V 5%	cap mylar 15nF
C041C	342932	KO-FOL	0.015MF	100V 5%	cap mylar 15nF
C041D	342932	KO-FOL	0.015MF	100V 5%	cap mylar 15nF
C042A	342934	KO-FOL	0.033MF	100V 5%	cap mylar 33nF
C042B	342934	KO-FOL	0.033MF	100V 5%	cap mylar 33nF
C042C	342934	KO-FOL	0.033MF	100V 5%	cap mylar 33nF
C042D	342934	KO-FOL	0.033MF	100V 5%	cap mylar 33nF
C043A	342934	KO-FOL	0.033MF	100V 5%	cap mylar 33nF
C043B	342934	KO-FOL	0.033MF	100V 5%	cap mylar 33nF
C043C	342934	KO-FOL	0.033MF	100V 5%	cap mylar 33nF
C043D	342934	KO-FOL	0.033MF	100V 5%	cap mylar 33nF
C044A	342932	KO-FOL	0.015MF	100V 5%	cap mylar 15nF
C044B	342932	KO-FOL	0.015MF	100V 5%	cap mylar 15nF
C044C	342932	KO-FOL	0.015MF	100V 5%	cap mylar 15nF
C044D	342932	KO-FOL	0.015MF	100V 5%	cap mylar 15nF
C045A	342932	KO-FOL	0.015MF	100V 5%	cap mylar 15nF
C045B	342932	KO-FOL	0.015MF	100V 5%	cap mylar 15nF
C045C	342932	KO-FOL	0.015MF	100V 5%	cap mylar 15nF
C045D	342932	KO-FOL	0.015MF	100V 5%	cap mylar 15nF
C046A	340523	KO-EL	22.000MF	16V	cap electrolytic 22uF/16V

170102 PSX 1000 120V					
Pos. Nr.	Best. Nr.	Bezeichnung			Description
Ref. No.	Part No.				
C046B	340523	KO-EL	22.000MF	16V	cap electrolytic 22uF/16V
C046C	340523	KO-EL	22.000MF	16V	cap electrolytic 22uF/16V
C046D	340523	KO-EL	22.000MF	16V	cap electrolytic 22uF/16V
C047A	340523	KO-EL	22.000MF	16V	cap electrolytic 22uF/16V
C047B	340523	KO-EL	22.000MF	16V	cap electrolytic 22uF/16V
C047C	340523	KO-EL	22.000MF	16V	cap electrolytic 22uF/16V
C047D	340523	KO-EL	22.000MF	16V	cap electrolytic 22uF/16V
C048A	301519	KO-KER	10.0PF	500V 10%	cap ceramic 10pF
C048B	301519	KO-KER	10.0PF	500V 10%	cap ceramic 10pF
C048C	301519	KO-KER	10.0PF	500V 10%	cap ceramic 10pF
C048D	301519	KO-KER	10.0PF	500V 10%	cap ceramic 10pF
C049A	301519	KO-KER	10.0PF	500V 10%	cap ceramic 10pF
C049B	301519	KO-KER	10.0PF	500V 10%	cap ceramic 10pF
C049C	301519	KO-KER	10.0PF	500V 10%	cap ceramic 10pF
C049D	301519	KO-KER	10.0PF	500V 10%	cap ceramic 10pF
C050A	340523	KO-EL	22.000MF	16V	cap electrolytic 22uF/16V
C050B	340523	KO-EL	22.000MF	16V	cap electrolytic 22uF/16V
C050C	340523	KO-EL	22.000MF	16V	cap electrolytic 22uF/16V
C050D	340523	KO-EL	22.000MF	16V	cap electrolytic 22uF/16V
C051A	340523	KO-EL	22.000MF	16V	cap electrolytic 22uF/16V
C051B	340523	KO-EL	22.000MF	16V	cap electrolytic 22uF/16V
C051C	340523	KO-EL	22.000MF	16V	cap electrolytic 22uF/16V
C051D	340523	KO-EL	22.000MF	16V	cap electrolytic 22uF/16V
C052A	340523	KO-EL	22.000MF	16V	cap electrolytic 22uF/16V
C052B	340523	KO-EL	22.000MF	16V	cap electrolytic 22uF/16V
C052C	340523	KO-EL	22.000MF	16V	cap electrolytic 22uF/16V
C052D	340523	KO-EL	22.000MF	16V	cap electrolytic 22uF/16V
C053A	340523	KO-EL	22.000MF	16V	cap electrolytic 22uF/16V
C053B	340523	KO-EL	22.000MF	16V	cap electrolytic 22uF/16V
C053C	340523	KO-EL	22.000MF	16V	cap electrolytic 22uF/16V
C053D	340523	KO-EL	22.000MF	16V	cap electrolytic 22uF/16V
C054A	301530	KO-KER	100.0PF	500V 10%	cap ceramic 100pF
C054B	301530	KO-KER	100.0PF	500V 10%	cap ceramic 100pF
C054C	301530	KO-KER	100.0PF	500V 10%	cap ceramic 100pF
C054D	301530	KO-KER	100.0PF	500V 10%	cap ceramic 100pF
C055A	301530	KO-KER	100.0PF	500V 10%	cap ceramic 100pF
C055B	301530	KO-KER	100.0PF	500V 10%	cap ceramic 100pF
C055C	301530	KO-KER	100.0PF	500V 10%	cap ceramic 100pF
C055D	301530	KO-KER	100.0PF	500V 10%	cap ceramic 100pF
C056A	340523	KO-EL	22.000MF	16V	cap electrolytic 22uF/16V
C056B	340523	KO-EL	22.000MF	16V	cap electrolytic 22uF/16V
C056C	340523	KO-EL	22.000MF	16V	cap electrolytic 22uF/16V
C056D	340523	KO-EL	22.000MF	16V	cap electrolytic 22uF/16V
C057A	340523	KO-EL	22.000MF	16V	cap electrolytic 22uF/16V
C057B	340523	KO-EL	22.000MF	16V	cap electrolytic 22uF/16V
C057C	340523	KO-EL	22.000MF	16V	cap electrolytic 22uF/16V
C057D	340523	KO-EL	22.000MF	16V	cap electrolytic 22uF/16V
C058A	340523	KO-EL	22.000MF	16V	cap electrolytic 22uF/16V
C058B	340523	KO-EL	22.000MF	16V	cap electrolytic 22uF/16V
C058C	340523	KO-EL	22.000MF	16V	cap electrolytic 22uF/16V
C058D	340523	KO-EL	22.000MF	16V	cap electrolytic 22uF/16V
C059A	340523	KO-EL	22.000MF	16V	cap electrolytic 22uF/16V

170102 PSX 1000 120V					
Pos. Nr.	Best. Nr.				
Ref. No.	Part No.	Bezeichnung			Description
C059B	340523	KO-EL	22.000MF	16V	cap electrolytic 22uF/16V
C059C	340523	KO-EL	22.000MF	16V	cap electrolytic 22uF/16V
C059D	340523	KO-EL	22.000MF	16V	cap electrolytic 22uF/16V
C080A	340520	KO-EL	1.000MF	50V	cap electrolytic 1uF/50V
C080B	340520	KO-EL	1.000MF	50V	cap electrolytic 1uF/50V
C080C	340520	KO-EL	1.000MF	50V	cap electrolytic 1uF/50V
C080D	340520	KO-EL	1.000MF	50V	cap electrolytic 1uF/50V
C081A	340520	KO-EL	1.000MF	50V	cap electrolytic 1uF/50V
C081B	340520	KO-EL	1.000MF	50V	cap electrolytic 1uF/50V
C081C	340520	KO-EL	1.000MF	50V	cap electrolytic 1uF/50V
C081D	340520	KO-EL	1.000MF	50V	cap electrolytic 1uF/50V
C082A	329021	KO-KER	0.10MF	100V 20%	cap ceramic 100nF
C082B	329021	KO-KER	0.10MF	100V 20%	cap ceramic 100nF
C082C	329021	KO-KER	0.10MF	100V 20%	cap ceramic 100nF
C082D	329021	KO-KER	0.10MF	100V 20%	cap ceramic 100nF
C090A	343532	KO-EL	100.000MF	25V	cap electrolytic 100uF/25V
C090B	343532	KO-EL	100.000MF	25V	cap electrolytic 100uF/25V
C091A	343532	KO-EL	100.000MF	25V	cap electrolytic 100uF/25V
C091B	343532	KO-EL	100.000MF	25V	cap electrolytic 100uF/25V
C092A	329021	KO-KER	0.10MF	100V 20%	cap ceramic 100nF
C092B	329021	KO-KER	0.10MF	100V 20%	cap ceramic 100nF
C093A	329021	KO-KER	0.10MF	100V 20%	cap ceramic 100nF
C093B	329021	KO-KER	0.10MF	100V 20%	cap ceramic 100nF
C094A	329021	KO-KER	0.10MF	100V 20%	cap ceramic 100nF
C094B	329021	KO-KER	0.10MF	100V 20%	cap ceramic 100nF
C095A	329021	KO-KER	0.10MF	100V 20%	cap ceramic 100nF
C095B	329021	KO-KER	0.10MF	100V 20%	cap ceramic 100nF
C096A	329021	KO-KER	0.10MF	100V 20%	cap ceramic 100nF
C096B	329021	KO-KER	0.10MF	100V 20%	cap ceramic 100nF
C097A	329021	KO-KER	0.10MF	100V 20%	cap ceramic 100nF
C097B	329021	KO-KER	0.10MF	100V 20%	cap ceramic 100nF
C098A	340522	KO-EL	10.000MF	35V	cap electrolytic 10uF/35
C098B	340522	KO-EL	10.000MF	35V	cap electrolytic 10uF/35
D001A	301254	DIODE 1N 4148		AXIAL	diode 1N 4148
D001B	301254	DIODE 1N 4148		AXIAL	diode 1N 4148
D001C	301254	DIODE 1N 4148		AXIAL	diode 1N 4148
D001D	301254	DIODE 1N 4148		AXIAL	diode 1N 4148
D002A	301254	DIODE 1N 4148		AXIAL	diode 1N 4148
D002B	301254	DIODE 1N 4148		AXIAL	diode 1N 4148
D002C	301254	DIODE 1N 4148		AXIAL	diode 1N 4148
D002D	301254	DIODE 1N 4148		AXIAL	diode 1N 4148
D070A	346335	DIODE 1N 4148	RM 5.0	STEH.	diode 1N 4148
D070B	346335	DIODE 1N 4148	RM 5.0	STEH.	diode 1N 4148
D070C	346335	DIODE 1N 4148	RM 5.0	STEH.	diode 1N 4148
D070D	346335	DIODE 1N 4148	RM 5.0	STEH.	diode 1N 4148
D071A	346335	DIODE 1N 4148	RM 5.0	STEH.	diode 1N 4148
D071B	346335	DIODE 1N 4148	RM 5.0	STEH.	diode 1N 4148
D071C	346335	DIODE 1N 4148	RM 5.0	STEH.	diode 1N 4148
D071D	346335	DIODE 1N 4148	RM 5.0	STEH.	diode 1N 4148
D072A	354004	LED GN	3MM	LOW CURRENT	led green
D072B	354004	LED GN	3MM	LOW CURRENT	led green
D072C	354004	LED GN	3MM	LOW CURRENT	led green

170102 PSX 1000 120V					
Pos. Nr.	Best. Nr.	Bezeichnung			Description
Ref. No.	Part No.				
D072D	354004	LED GN	3MM	LOW CURRENT	led green
D073A	354003	LED RT	3MM	LOW CURRENT	led red
D073B	354003	LED RT	3MM	LOW CURRENT	led red
D073C	354003	LED RT	3MM	LOW CURRENT	led red
D073D	354003	LED RT	3MM	LOW CURRENT	led red
D074A	346335	DIODE 1N 4148	RM 5.0	STEH.	diode 1N 4148
D074B	346335	DIODE 1N 4148	RM 5.0	STEH.	diode 1N 4148
D074C	346335	DIODE 1N 4148	RM 5.0	STEH.	diode 1N 4148
D074D	346335	DIODE 1N 4148	RM 5.0	STEH.	diode 1N 4148
D075A	346335	DIODE 1N 4148	RM 5.0	STEH.	diode 1N 4148
D075B	346335	DIODE 1N 4148	RM 5.0	STEH.	diode 1N 4148
D075C	346335	DIODE 1N 4148	RM 5.0	STEH.	diode 1N 4148
D075D	346335	DIODE 1N 4148	RM 5.0	STEH.	diode 1N 4148
D076A	346335	DIODE 1N 4148	RM 5.0	STEH.	diode 1N 4148
D076B	346335	DIODE 1N 4148	RM 5.0	STEH.	diode 1N 4148
D076C	346335	DIODE 1N 4148	RM 5.0	STEH.	diode 1N 4148
D076D	346335	DIODE 1N 4148	RM 5.0	STEH.	diode 1N 4148
D077A	346335	DIODE 1N 4148	RM 5.0	STEH.	diode 1N 4148
D077B	346335	DIODE 1N 4148	RM 5.0	STEH.	diode 1N 4148
D077C	346335	DIODE 1N 4148	RM 5.0	STEH.	diode 1N 4148
D077D	346335	DIODE 1N 4148	RM 5.0	STEH.	diode 1N 4148
I001A	327197	IC NE 5532 P	2FACH	OP	IC NE 5532 N
I001B	327197	IC NE 5532 P	2FACH	OP	IC NE 5532 N
I002A	327197	IC NE 5532 P	2FACH	OP	IC NE 5532 N
I002B	327197	IC NE 5532 P	2FACH	OP	IC NE 5532 N
I003A	327197	IC NE 5532 P	2FACH	OP	IC NE 5532 N
I003B	327197	IC NE 5532 P	2FACH	OP	IC NE 5532 N
I004A	332985	IC TL 074 CN			IC TL 074 CN
I004B	332985	IC TL 074 CN			IC TL 074 CN
I005A	332985	IC TL 074 CN			IC TL 074 CN
I005B	332985	IC TL 074 CN			IC TL 074 CN
I006A	327197	IC NE 5532 P	2FACH	OP	IC NE 5532 N
I006B	327197	IC NE 5532 P	2FACH	OP	IC NE 5532 N
I007A	327197	IC NE 5532 P	2FACH	OP	IC NE 5532 N
I007B	327197	IC NE 5532 P	2FACH	OP	IC NE 5532 N
I008A	343502	IC LM 2901 N			IC LM 2901
I008B	343502	IC LM 2901 N			IC LM 2901
JS01A	354000	BUCHSE-FL. XLR 3POL	SW		xlr connector female
JS01B	354000	BUCHSE-FL. XLR 3POL	SW		xlr connector female
JS01C	354000	BUCHSE-FL. XLR 3POL	SW		xlr connector female
JS01D	354000	BUCHSE-FL. XLR 3POL	SW		xlr connector female
JS02A	354001	BUCHSE-KOAXIAL-STEREO			phone jack stereo
JS02B	354001	BUCHSE-KOAXIAL-STEREO			phone jack stereo
JS02C	354001	BUCHSE-KOAXIAL-STEREO			phone jack stereo
JS02D	354001	BUCHSE-KOAXIAL-STEREO			phone jack stereo
JS03A	354001	BUCHSE-KOAXIAL-STEREO			phone jack stereo
JS03B	354001	BUCHSE-KOAXIAL-STEREO			phone jack stereo
JS03C	354001	BUCHSE-KOAXIAL-STEREO			phone jack stereo
JS03D	354001	BUCHSE-KOAXIAL-STEREO			phone jack stereo
Q001A	343536	TRANS 2SA 1084 E	TO 92		transistor 2SA 1084 E
Q001B	343536	TRANS 2SA 1084 E	TO 92		transistor 2SA 1084 E
Q001C	343536	TRANS 2SA 1084 E	TO 92		transistor 2SA 1084 E

170102 PSX 1000 120V					
Pos. Nr.	Best. Nr.				
Ref. No.	Part No.	Bezeichnung		Description	
Q001D	343536	TRANS 2SA 1084 E	TO 92	transistor 2SA 1084 E	
Q002A	301184	TRANS BC 550 C		transistor BC 550 B	
Q002B	301184	TRANS BC 550 C		transistor BC 550 B	
Q002C	301184	TRANS BC 550 C		transistor BC 550 B	
Q002D	301184	TRANS BC 550 C		transistor BC 550 B	
Q003A	343536	TRANS 2SA 1084 E	TO 92	transistor 2SA 1084 E	
Q003B	343536	TRANS 2SA 1084 E	TO 92	transistor 2SA 1084 E	
Q003C	343536	TRANS 2SA 1084 E	TO 92	transistor 2SA 1084 E	
Q003D	343536	TRANS 2SA 1084 E	TO 92	transistor 2SA 1084 E	
Q004A	301184	TRANS BC 550 C		transistor BC 550 B	
Q004B	301184	TRANS BC 550 C		transistor BC 550 B	
Q004C	301184	TRANS BC 550 C		transistor BC 550 B	
Q004D	301184	TRANS BC 550 C		transistor BC 550 B	
R100A	329215	WI-SI 10.00 OHM 0.30W 5%		safety resistor 10 Ohm	
R100B	329215	WI-SI 10.00 OHM 0.30W 5%		safety resistor 10 Ohm	
R101A	329215	WI-SI 10.00 OHM 0.30W 5%		safety resistor 10 Ohm	
R101B	329215	WI-SI 10.00 OHM 0.30W 5%		safety resistor 10 Ohm	
S001A	354006	SCHALTER-RAST 2XUM		switch 2pdt	
S001B	354006	SCHALTER-RAST 2XUM		switch 2pdt	
S001C	354006	SCHALTER-RAST 2XUM		switch 2pdt	
S001D	354006	SCHALTER-RAST 2XUM		switch 2pdt	
VR01A	352323	P-DREH 5KOHM LOG NEG XX		pot 5k XX	
VR01B	352323	P-DREH 5KOHM LOG NEG XX		pot 5k XX	
VR01C	352323	P-DREH 5KOHM LOG NEG XX		pot 5k XX	
VR01D	352323	P-DREH 5KOHM LOG NEG XX		pot 5k XX	
VR02A	352330	P-DREH 2X 5KOHM LOG POS XX		pot 2x5k XX	
VR02B	352330	P-DREH 2X 5KOHM LOG POS XX		pot 2x5k XX	
VR02C	352330	P-DREH 2X 5KOHM LOG POS XX		pot 2x5k XX	
VR02D	352330	P-DREH 2X 5KOHM LOG POS XX		pot 2x5k XX	
VR03A	352331	P-DREH 2X 50KOHM LIN B		pot 2x50k B	
VR03B	352331	P-DREH 2X 50KOHM LIN B		pot 2x50k B	
VR03C	352331	P-DREH 2X 50KOHM LIN B		pot 2x50k B	
VR03D	352331	P-DREH 2X 50KOHM LIN B		pot 2x50k B	
VR04A	352331	P-DREH 2X 50KOHM LIN B		pot 2x50k B	
VR04B	352331	P-DREH 2X 50KOHM LIN B		pot 2x50k B	
VR04C	352331	P-DREH 2X 50KOHM LIN B		pot 2x50k B	
VR04D	352331	P-DREH 2X 50KOHM LIN B		pot 2x50k B	
VR05A	352331	P-DREH 2X 50KOHM LIN B		pot 2x50k B	
VR05B	352331	P-DREH 2X 50KOHM LIN B		pot 2x50k B	
VR05C	352331	P-DREH 2X 50KOHM LIN B		pot 2x50k B	
VR05D	352331	P-DREH 2X 50KOHM LIN B		pot 2x50k B	
VR06A	354263	P-SHIB 2X 10KOHM LOG POS A		fader 2x10k A	
VR06B	354263	P-SHIB 2X 10KOHM LOG POS A		fader 2x10k A	
VR06C	354263	P-SHIB 2X 10KOHM LOG POS A		fader 2x10k A	
VR06D	354263	P-SHIB 2X 10KOHM LOG POS A		fader 2x10k A	
VR07A	352327	P-DREH 2X 10KOHM AC		pot 2x10k AC	
VR07B	352327	P-DREH 2X 10KOHM AC		pot 2x10k AC	
VR07C	352327	P-DREH 2X 10KOHM AC		pot 2x10k AC	
VR07D	352327	P-DREH 2X 10KOHM AC		pot 2x10k AC	
VR08A	352328	P-DREH 20KOHM LOG POS K		pot 20k K	
VR08B	352328	P-DREH 20KOHM LOG POS K		pot 20k K	
VR08C	352328	P-DREH 20KOHM LOG POS K		pot 20k K	

170102 PSX 1000 120V					
Pos. Nr.	Best. Nr.				
Ref. No.	Part No.	Bezeichnung			Description
VR08D	352328	P-DREH	20KOHM	LOG POS	K pot 20k K
VR09A	352328	P-DREH	20KOHM	LOG POS	K pot 20k K
VR09B	352328	P-DREH	20KOHM	LOG POS	K pot 20k K
VR09C	352328	P-DREH	20KOHM	LOG POS	K pot 20k K
VR09D	352328	P-DREH	20KOHM	LOG POS	K pot 20k K
VR10A	352329	P-DREH	2X 20KOHM	LOG POS	K pot 2x20k K
VR10B	352329	P-DREH	2X 20KOHM	LOG POS	K pot 2x20k K
VR10C	352329	P-DREH	2X 20KOHM	LOG POS	K pot 2x20k K
VR10D	352329	P-DREH	2X 20KOHM	LOG POS	K pot 2x20k K

822258 PCBAR#PM 1000					
					pcb assy master
CN001	345489	MESSERLST. 6POL			connector male 6-pin
CN002	349105	MESSERLST. 20POL			connector male 20-pin
CN003	348488	FEDERLEISTE 6POL 2.54MM			connector female 6-pole
CN004	348488	FEDERLEISTE 6POL 2.54MM			connector female 6-pole
CN005	348488	FEDERLEISTE 6POL 2.54MM			connector female 6-pole
CN006	348802	MESSERLST. 12POL			connector male 12-pin
CN007	345489	MESSERLST. 6POL			connector male 6-pin
C0001	329021	KO-KER	0.10MF	100V 20%	cap ceramic 100nF
C0002	329021	KO-KER	0.10MF	100V 20%	cap ceramic 100nF
C0003	345461	KO-KER	680.0PF	100V 10%	cap ceramic 680pF
C0004	345461	KO-KER	680.0PF	100V 10%	cap ceramic 680pF
C0005	345461	KO-KER	680.0PF	100V 10%	cap ceramic 680pF
C0006	329021	KO-KER	0.10MF	100V 20%	cap ceramic 100nF
C0007	329021	KO-KER	0.10MF	100V 20%	cap ceramic 100nF
C0210	340524	KO-EL	100.000MF	16V	cap electrolytic 100uF/16V
C0211	340524	KO-EL	100.000MF	16V	cap electrolytic 100uF/16V
C0212	301558	KO-KER	33.0PF	100V 2%	cap ceramic 33pF
C0213	301558	KO-KER	33.0PF	100V 2%	cap ceramic 33pF
C0214	345461	KO-KER	680.0PF	100V 10%	cap ceramic 680pF
C0215	345461	KO-KER	680.0PF	100V 10%	cap ceramic 680pF
C0216	345461	KO-KER	680.0PF	100V 10%	cap ceramic 680pF
C0217	345461	KO-KER	680.0PF	100V 10%	cap ceramic 680pF
C0218	340523	KO-EL	22.000MF	16V	cap electrolytic 22uF/16V
C0219	340523	KO-EL	22.000MF	16V	cap electrolytic 22uF/16V
C0220	335787	KO-KER	15.0PF	100V 2%	cap ceramic 15pF
C0221	335787	KO-KER	15.0PF	100V 2%	cap ceramic 15pF
C0222	301558	KO-KER	33.0PF	100V 2%	cap ceramic 33pF
C0223	301558	KO-KER	33.0PF	100V 2%	cap ceramic 33pF
C0224	340524	KO-EL	100.000MF	16V	cap electrolytic 100uF/16V
C0225	340524	KO-EL	100.000MF	16V	cap electrolytic 100uF/16V
C0226	345461	KO-KER	680.0PF	100V 10%	cap ceramic 680pF
C0227	345461	KO-KER	680.0PF	100V 10%	cap ceramic 680pF
C0228	345461	KO-KER	680.0PF	100V 10%	cap ceramic 680pF
C0229	345461	KO-KER	680.0PF	100V 10%	cap ceramic 680pF
C0231	301558	KO-KER	33.0PF	100V 2%	cap ceramic 33pF
C0232	340523	KO-EL	22.000MF	16V	cap electrolytic 22uF/16V
C0233	335787	KO-KER	15.0PF	100V 2%	cap ceramic 15pF
C0234	340524	KO-EL	100.000MF	16V	cap electrolytic 100uF/16V
C0235	345461	KO-KER	680.0PF	100V 10%	cap ceramic 680pF
C0236	345461	KO-KER	680.0PF	100V 10%	cap ceramic 680pF

170102 PSX 1000 120V					
Pos. Nr.	Best. Nr.	Bezeichnung			Description
Ref. No.	Part No.				
C0237	329021	KO-KER	0.10MF	100V 20%	cap ceramic 100nF
C0238	329021	KO-KER	0.10MF	100V 20%	cap ceramic 100nF
C0301	340523	KO-EL	22.000MF	16V	cap electrolytic 22uF/16V
C0302	340523	KO-EL	22.000MF	16V	cap electrolytic 22uF/16V
C0303	329021	KO-KER	0.10MF	100V 20%	cap ceramic 100nF
C0304	329021	KO-KER	0.10MF	100V 20%	cap ceramic 100nF
C0305	329021	KO-KER	0.10MF	100V 20%	cap ceramic 100nF
C0306	329021	KO-KER	0.10MF	100V 20%	cap ceramic 100nF
C0307	329021	KO-KER	0.10MF	100V 20%	cap ceramic 100nF
C0308	329021	KO-KER	0.10MF	100V 20%	cap ceramic 100nF
C0309	340523	KO-EL	22.000MF	16V	cap electrolytic 22uF/16V
C0310	335787	KO-KER	15.0PF	100V 2%	cap ceramic 15pF
C0311	340523	KO-EL	22.000MF	16V	cap electrolytic 22uF/16V
C0312	335787	KO-KER	15.0PF	100V 2%	cap ceramic 15pF
C0313	340524	KO-EL	100.000MF	16V	cap electrolytic 100uF/16V
C0314	340523	KO-EL	22.000MF	16V	cap electrolytic 22uF/16V
C0315	340523	KO-EL	22.000MF	16V	cap electrolytic 22uF/16V
C0316	345461	KO-KER	680.0PF	100V 10%	cap ceramic 680pF
C0317	345461	KO-KER	680.0PF	100V 10%	cap ceramic 680pF
C0318	329021	KO-KER	0.10MF	100V 20%	cap ceramic 100nF
C0319	301558	KO-KER	33.0PF	100V 2%	cap ceramic 33pF
C0320	301558	KO-KER	33.0PF	100V 2%	cap ceramic 33pF
C0321	340523	KO-EL	22.000MF	16V	cap electrolytic 22uF/16V
C0322	340523	KO-EL	22.000MF	16V	cap electrolytic 22uF/16V
C0323	340523	KO-EL	22.000MF	16V	cap electrolytic 22uF/16V
C0324	340523	KO-EL	22.000MF	16V	cap electrolytic 22uF/16V
C0326	340523	KO-EL	22.000MF	16V	cap electrolytic 22uF/16V
C0327	335787	KO-KER	15.0PF	100V 2%	cap ceramic 15pF
C0328	340523	KO-EL	22.000MF	16V	cap electrolytic 22uF/16V
C0329	335787	KO-KER	15.0PF	100V 2%	cap ceramic 15pF
C0330	340523	KO-EL	22.000MF	16V	cap electrolytic 22uF/16V
C0331	340523	KO-EL	22.000MF	16V	cap electrolytic 22uF/16V
C0332	340524	KO-EL	100.000MF	16V	cap electrolytic 100uF/16V
C0333	345461	KO-KER	680.0PF	100V 10%	cap ceramic 680pF
C0334	345461	KO-KER	680.0PF	100V 10%	cap ceramic 680pF
C0335	329021	KO-KER	0.10MF	100V 20%	cap ceramic 100nF
C0336	301558	KO-KER	33.0PF	100V 2%	cap ceramic 33pF
C0337	301558	KO-KER	33.0PF	100V 2%	cap ceramic 33pF
C0338	340523	KO-EL	22.000MF	16V	cap electrolytic 22uF/16V
C0339	340523	KO-EL	22.000MF	16V	cap electrolytic 22uF/16V
C0340	340523	KO-EL	22.000MF	16V	cap electrolytic 22uF/16V
C0341	340523	KO-EL	22.000MF	16V	cap electrolytic 22uF/16V
C0342	340523	KO-EL	22.000MF	16V	cap electrolytic 22uF/16V
C0343	340523	KO-EL	22.000MF	16V	cap electrolytic 22uF/16V
C0345	329021	KO-KER	0.10MF	100V 20%	cap ceramic 100nF
C0346	329021	KO-KER	0.10MF	100V 20%	cap ceramic 100nF
C0347	329021	KO-KER	0.10MF	100V 20%	cap ceramic 100nF
C0348	329021	KO-KER	0.10MF	100V 20%	cap ceramic 100nF
C0349	329021	KO-KER	0.10MF	100V 20%	cap ceramic 100nF
C0350	329021	KO-KER	0.10MF	100V 20%	cap ceramic 100nF
C0351	340524	KO-EL	100.000MF	16V	cap electrolytic 100uF/16V
C0352	345461	KO-KER	680.0PF	100V 10%	cap ceramic 680pF

170102 PSX 1000 120V					
Pos. Nr.	Best. Nr.	Bezeichnung			Description
Ref. No.	Part No.				
C0353	345461	KO-KER	680.0PF	100V 10%	cap ceramic 680pF
C0354	301566	KO-KER	2200.0PF	100V 10%	cap ceramic 2200pF
C0355	340523	KO-EL	22.000MF	16V	cap electrolytic 22uF/16V
C0356	340523	KO-EL	22.000MF	16V	cap electrolytic 22uF/16V
C0357	301558	KO-KER	33.0PF	100V 2%	cap ceramic 33pF
C0358	301558	KO-KER	33.0PF	100V 2%	cap ceramic 33pF
C0359	340523	KO-EL	22.000MF	16V	cap electrolytic 22uF/16V
C0360	340523	KO-EL	22.000MF	16V	cap electrolytic 22uF/16V
C0361	301558	KO-KER	33.0PF	100V 2%	cap ceramic 33pF
C0362	301558	KO-KER	33.0PF	100V 2%	cap ceramic 33pF
C0363	345461	KO-KER	680.0PF	100V 10%	cap ceramic 680pF
C0364	345461	KO-KER	680.0PF	100V 10%	cap ceramic 680pF
C0365	329021	KO-KER	0.10MF	100V 20%	cap ceramic 100nF
C0400	340524	KO-EL	100.000MF	16V	cap electrolytic 100uF/16V
C0401	340524	KO-EL	100.000MF	16V	cap electrolytic 100uF/16V
C0402	335787	KO-KER	15.0PF	100V 2%	cap ceramic 15pF
C0403	335787	KO-KER	15.0PF	100V 2%	cap ceramic 15pF
C0404	340523	KO-EL	22.000MF	16V	cap electrolytic 22uF/16V
C0405	340523	KO-EL	22.000MF	16V	cap electrolytic 22uF/16V
C0406	326923	KO-FOL	3300.000PF	63V 5%	cap mylar 3300pF
C0407	340523	KO-EL	22.000MF	16V	cap electrolytic 22uF/16V
C0408	342936	KO-FOL	0.150MF	63V 5%	cap mylar 150nF
C0409	340523	KO-EL	22.000MF	16V	cap electrolytic 22uF/16V
C0410	340523	KO-EL	22.000MF	16V	cap electrolytic 22uF/16V
C0411	335787	KO-KER	15.0PF	100V 2%	cap ceramic 15pF
C0412	340524	KO-EL	100.000MF	16V	cap electrolytic 100uF/16V
C0413	345461	KO-KER	680.0PF	100V 10%	cap ceramic 680pF
C0414	345461	KO-KER	680.0PF	100V 10%	cap ceramic 680pF
C0415	329021	KO-KER	0.10MF	100V 20%	cap ceramic 100nF
C0416	345461	KO-KER	680.0PF	100V 10%	cap ceramic 680pF
C0417	345461	KO-KER	680.0PF	100V 10%	cap ceramic 680pF
C0418	301558	KO-KER	33.0PF	100V 2%	cap ceramic 33pF
C0419	301558	KO-KER	33.0PF	100V 2%	cap ceramic 33pF
C0420	340523	KO-EL	22.000MF	16V	cap electrolytic 22uF/16V
C0421	340523	KO-EL	22.000MF	16V	cap electrolytic 22uF/16V
C0422	329021	KO-KER	0.10MF	100V 20%	cap ceramic 100nF
C0423	345461	KO-KER	680.0PF	100V 10%	cap ceramic 680pF
C0424	345461	KO-KER	680.0PF	100V 10%	cap ceramic 680pF
C0425	340523	KO-EL	22.000MF	16V	cap electrolytic 22uF/16V
C0426	340523	KO-EL	22.000MF	16V	cap electrolytic 22uF/16V
C0427	329021	KO-KER	0.10MF	100V 20%	cap ceramic 100nF
C0428	329021	KO-KER	0.10MF	100V 20%	cap ceramic 100nF
C0429	340523	KO-EL	22.000MF	16V	cap electrolytic 22uF/16V
C0450	329021	KO-KER	0.10MF	100V 20%	cap ceramic 100nF
C0451	345461	KO-KER	680.0PF	100V 10%	cap ceramic 680pF
C0452	345461	KO-KER	680.0PF	100V 10%	cap ceramic 680pF
C0453	345461	KO-KER	680.0PF	100V 10%	cap ceramic 680pF
C0454	345461	KO-KER	680.0PF	100V 10%	cap ceramic 680pF
C0455	301558	KO-KER	33.0PF	100V 2%	cap ceramic 33pF
C0456	301558	KO-KER	33.0PF	100V 2%	cap ceramic 33pF
C0457	340523	KO-EL	22.000MF	16V	cap electrolytic 22uF/16V
C0458	340523	KO-EL	22.000MF	16V	cap electrolytic 22uF/16V

170102 PSX 1000 120V					
Pos. Nr.	Best. Nr.	Bezeichnung			Description
Ref. No.	Part No.				
C0500	345461	KO-KER	680.0PF	100V 10%	cap ceramic 680pF
C0501	345461	KO-KER	680.0PF	100V 10%	cap ceramic 680pF
C0502	345461	KO-KER	680.0PF	100V 10%	cap ceramic 680pF
C0503	345461	KO-KER	680.0PF	100V 10%	cap ceramic 680pF
C0504	301558	KO-KER	33.0PF	100V 2%	cap ceramic 33pF
C0505	301558	KO-KER	33.0PF	100V 2%	cap ceramic 33pF
C0506	340523	KO-EL	22.000MF	16V	cap electrolytic 22uF/16V
C0507	340523	KO-EL	22.000MF	16V	cap electrolytic 22uF/16V
C0508	301558	KO-KER	33.0PF	100V 2%	cap ceramic 33pF
C0509	301558	KO-KER	33.0PF	100V 2%	cap ceramic 33pF
C0510	340524	KO-EL	100.000MF	16V	cap electrolytic 100uF/16V
C0511	340524	KO-EL	100.000MF	16V	cap electrolytic 100uF/16V
C0512	345461	KO-KER	680.0PF	100V 10%	cap ceramic 680pF
C0513	345461	KO-KER	680.0PF	100V 10%	cap ceramic 680pF
C0514	345461	KO-KER	680.0PF	100V 10%	cap ceramic 680pF
C0515	345461	KO-KER	680.0PF	100V 10%	cap ceramic 680pF
C0516	329021	KO-KER	0.10MF	100V 20%	cap ceramic 100nF
C0517	329021	KO-KER	0.10MF	100V 20%	cap ceramic 100nF
C0518	337181	KO-FOL	0.010MF	100V 5%	cap mylar 10nF
C0519	337181	KO-FOL	0.010MF	100V 5%	cap mylar 10nF
C0522	300050	KO-FOL	330.000PF	100V 5%	cap mylar 330pF
C0523	300050	KO-FOL	330.000PF	100V 5%	cap mylar 330pF
C0524	342932	KO-FOL	0.015MF	100V 5%	cap mylar 15nF
C0525	342932	KO-FOL	0.015MF	100V 5%	cap mylar 15nF
C0526	327392	KO-FOL	3900.000PF	63V 5%	cap mylar 3900pF
C0527	327392	KO-FOL	3900.000PF	63V 5%	cap mylar 3900pF
C0528	328365	KO-FOL	560.000PF	100V 5%	cap mylar 560pF
C0529	328365	KO-FOL	560.000PF	100V 5%	cap mylar 560pF
C0530	342932	KO-FOL	0.015MF	100V 5%	cap mylar 15nF
C0531	342932	KO-FOL	0.015MF	100V 5%	cap mylar 15nF
C0532	342933	KO-FOL	0.022MF	100V 5%	cap mylar 22nF
C0533	342933	KO-FOL	0.022MF	100V 5%	cap mylar 22nF
C0534	326922	KO-FOL	1000.000PF	100V 5%	cap mylar 1nF
C0535	326922	KO-FOL	1000.000PF	100V 5%	cap mylar 1nF
C0536	344109	KO-FOL	0.056MF	63V 5%	cap mylar 56nF
C0537	344109	KO-FOL	0.056MF	63V 5%	cap mylar 56nF
C0540	327391	KO-FOL	1500.000PF	100V 5%	cap mylar 1500pF
C0541	327391	KO-FOL	1500.000PF	100V 5%	cap mylar 1500pF
C0542	342936	KO-FOL	0.150MF	63V 5%	cap mylar 150nF
C0543	342936	KO-FOL	0.150MF	63V 5%	cap mylar 150nF
C0544	342933	KO-FOL	0.022MF	100V 5%	cap mylar 22nF
C0545	342933	KO-FOL	0.022MF	100V 5%	cap mylar 22nF
C0546	327393	KO-FOL	4700.000PF	63V 5%	cap mylar 4700pF
C0547	327393	KO-FOL	4700.000PF	63V 5%	cap mylar 4700pF
C0548	340244	KO-FOL	0.330MF	63V 5%	cap mylar 330nF
C0549	340244	KO-FOL	0.330MF	63V 5%	cap mylar 330nF
C0552	337181	KO-FOL	0.010MF	100V 5%	cap mylar 10nF
C0553	337181	KO-FOL	0.010MF	100V 5%	cap mylar 10nF
C0554	340988	KO-FOL	0.470MF	63V 5%	cap mylar 470nF
C0555	340988	KO-FOL	0.470MF	63V 5%	cap mylar 470nF
C0556	340988	KO-FOL	0.470MF	63V 5%	cap mylar 470nF
C0557	340988	KO-FOL	0.470MF	63V 5%	cap mylar 470nF

170102 PSX 1000 120V					
Pos. Nr.	Best. Nr.	Bezeichnung			Description
Ref. No.	Part No.				
C0560	344105	KO-FOL	0.027MF	100V 5%	cap mylar 27nF
C0561	344105	KO-FOL	0.027MF	100V 5%	cap mylar 27nF
C0562	329021	KO-KER	0.10MF	100V 20%	cap ceramic 100nF
C0563	329021	KO-KER	0.10MF	100V 20%	cap ceramic 100nF
C0564	329021	KO-KER	0.10MF	100V 20%	cap ceramic 100nF
C0565	329021	KO-KER	0.10MF	100V 20%	cap ceramic 100nF
C0566	340523	KO-EL	22.000MF	16V	cap electrolytic 22uF/16V
C0567	340523	KO-EL	22.000MF	16V	cap electrolytic 22uF/16V
C0568	345461	KO-KER	680.0PF	100V 10%	cap ceramic 680pF
C0569	345461	KO-KER	680.0PF	100V 10%	cap ceramic 680pF
C0570	345461	KO-KER	680.0PF	100V 10%	cap ceramic 680pF
C0571	345461	KO-KER	680.0PF	100V 10%	cap ceramic 680pF
C0572	301558	KO-KER	33.0PF	100V 2%	cap ceramic 33pF
C0573	301558	KO-KER	33.0PF	100V 2%	cap ceramic 33pF
C0574	329021	KO-KER	0.10MF	100V 20%	cap ceramic 100nF
C0575	340523	KO-EL	22.000MF	16V	cap electrolytic 22uF/16V
C0576	340524	KO-EL	100.000MF	16V	cap electrolytic 100uF/16V
C0577	340524	KO-EL	100.000MF	16V	cap electrolytic 100uF/16V
C0578	329021	KO-KER	0.10MF	100V 20%	cap ceramic 100nF
C0579	329021	KO-KER	0.10MF	100V 20%	cap ceramic 100nF
C0580	329021	KO-KER	0.10MF	100V 20%	cap ceramic 100nF
C0581	329021	KO-KER	0.10MF	100V 20%	cap ceramic 100nF
C0582	340521	KO-EL	2.200MF	50V	cap electrolytic 2.2uF/50V
C0583	340521	KO-EL	2.200MF	50V	cap electrolytic 2.2uF/50V
D0001	301254	DIODE 1N 4148	AXIAL		diode 1N 4148
D0003	354004	LED GN	3MM	LOW CURRENT	led green
D0004	354004	LED GN	3MM	LOW CURRENT	led green
D0005	354004	LED GN	3MM	LOW CURRENT	led green
D0006	354004	LED GN	3MM	LOW CURRENT	led green
D0007	354004	LED GN	3MM	LOW CURRENT	led green
D0008	354004	LED GN	3MM	LOW CURRENT	led green
D0009	354004	LED GN	3MM	LOW CURRENT	led green
D0010	354004	LED GN	3MM	LOW CURRENT	led green
D0011	354005	LED GE	3MM	LOW CURRENT	led yellow
D0012	354005	LED GE	3MM	LOW CURRENT	led yellow
D0013	354004	LED GN	3MM	LOW CURRENT	led green
D0014	354004	LED GN	3MM	LOW CURRENT	led green
D0015	354004	LED GN	3MM	LOW CURRENT	led green
D0016	354004	LED GN	3MM	LOW CURRENT	led green
D0017	354004	LED GN	3MM	LOW CURRENT	led green
D0018	354004	LED GN	3MM	LOW CURRENT	led green
D0019	354004	LED GN	3MM	LOW CURRENT	led green
D0020	354004	LED GN	3MM	LOW CURRENT	led green
D0021	354005	LED GE	3MM	LOW CURRENT	led yellow
D0022	354005	LED GE	3MM	LOW CURRENT	led yellow
D0023	301254	DIODE 1N 4148	AXIAL		diode 1N 4148
D0024	301254	DIODE 1N 4148	AXIAL		diode 1N 4148
D0025	301254	DIODE 1N 4148	AXIAL		diode 1N 4148
D0026	301254	DIODE 1N 4148	AXIAL		diode 1N 4148
D0027	354003	LED RT	3MM	LOW CURRENT	led red
D0028	354003	LED RT	3MM	LOW CURRENT	led red
D0029	354005	LED GE	3MM	LOW CURRENT	led yellow

170102 PSX 1000 120V					
Pos. Nr.	Best. Nr.	Bezeichnung			Description
Ref. No.	Part No.				
D0031	354004	LED GN	3MM	LOW CURRENT	led green
D0032	354005	LED GE	3MM	LOW CURRENT	led yellow
D0033	354003	LED RT	3MM	LOW CURRENT	led red
D0034	354003	LED RT	3MM	LOW CURRENT	led red
D0035	329511	DIODZ BZX 55C	2V4	0.50W	diode zener 2V4
D0036	354004	LED GN	3MM	LOW CURRENT	led green
D0037	354004	LED GN	3MM	LOW CURRENT	led green
D0038	328788	DIODZ BZX 55C	5V1	0.50W	diode zener 5V1
D0040	354003	LED RT	3MM	LOW CURRENT	led red
E0001	356745	RELAIS M4-24H			relay 24V
I0009	327197	IC NE 5532 P	2FACH	OP	IC NE 5532 N
I0010	327197	IC NE 5532 P	2FACH	OP	IC NE 5532 N
I0011	331340	IC TL 072 CP	2FACH	OP	IC TL 072 CP
I0012	331340	IC TL 072 CP	2FACH	OP	IC TL 072 CP
I0013	331340	IC TL 072 CP	2FACH	OP	IC TL 072 CP
I0014	327197	IC NE 5532 P	2FACH	OP	IC NE 5532 N
I0015	331340	IC TL 072 CP	2FACH	OP	IC TL 072 CP
I0016	327197	IC NE 5532 P	2FACH	OP	IC NE 5532 N
I0017	331340	IC TL 072 CP	2FACH	OP	IC TL 072 CP
I0018	331340	IC TL 072 CP	2FACH	OP	IC TL 072 CP
I0019	344864	IC NJM 4556 AD	2-FACH	OP	IC NJM 4556 D
I0020	327197	IC NE 5532 P	2FACH	OP	IC NE 5532 N
I0021	331340	IC TL 072 CP	2FACH	OP	IC TL 072 CP
I0023	331340	IC TL 072 CP	2FACH	OP	IC TL 072 CP
I0024	331340	IC TL 072 CP	2FACH	OP	IC TL 072 CP
I0025	327197	IC NE 5532 P	2FACH	OP	IC NE 5532 N
I0026	331340	IC TL 072 CP	2FACH	OP	IC TL 072 CP
I0027	331340	IC TL 072 CP	2FACH	OP	IC TL 072 CP
I0028	331340	IC TL 072 CP	2FACH	OP	IC TL 072 CP
I0030	327197	IC NE 5532 P	2FACH	OP	IC NE 5532 N
I0031	327197	IC NE 5532 P	2FACH	OP	IC NE 5532 N
I0032	327197	IC NE 5532 P	2FACH	OP	IC NE 5532 N
I0033	327197	IC NE 5532 P	2FACH	OP	IC NE 5532 N
I0034	327197	IC NE 5532 P	2FACH	OP	IC NE 5532 N
I0035	327197	IC NE 5532 P	2FACH	OP	IC NE 5532 N
I0036	327197	IC NE 5532 P	2FACH	OP	IC NE 5532 N
I0037	343502	IC LM 2901 N			IC LM 2901
I0038	343502	IC LM 2901 N			IC LM 2901
I0039	343502	IC LM 2901 N			IC LM 2901
I0040	343502	IC LM 2901 N			IC LM 2901
I0041	343502	IC LM 2901 N			IC LM 2901
I0042	331340	IC TL 072 CP	2FACH	OP	IC TL 072 CP
I0043	327197	IC NE 5532 P	2FACH	OP	IC NE 5532 N
I0044	331340	IC TL 072 CP	2FACH	OP	IC TL 072 CP
I0045	327197	IC NE 5532 P	2FACH	OP	IC NE 5532 N
JS001	354000	BUCHSE-FL. XLR 3POL	SW		xlr connector female
JS005	354001	BUCHSE-KOAXIAL-STEREO			phone jack stereo
JS006	354001	BUCHSE-KOAXIAL-STEREO			phone jack stereo
JS007	354001	BUCHSE-KOAXIAL-STEREO			phone jack stereo
JS008	354001	BUCHSE-KOAXIAL-STEREO			phone jack stereo
JS009	354001	BUCHSE-KOAXIAL-STEREO			phone jack stereo
JS010	354001	BUCHSE-KOAXIAL-STEREO			phone jack stereo

170102 PSX 1000 120V				
Pos. Nr.	Best. Nr.			
Ref. No.	Part No.	Bezeichnung		Description
JS011	354001	BUCHSE-KOAXIAL-STEREO		phone jack stereo
JS012	354002	BUCHSE-CINCH 4X CINCH		connector cinch
JS013	354001	BUCHSE-KOAXIAL-STEREO		phone jack stereo
JS014	354001	BUCHSE-KOAXIAL-STEREO		phone jack stereo
JS015	354001	BUCHSE-KOAXIAL-STEREO		phone jack stereo
JS016	354001	BUCHSE-KOAXIAL-STEREO		phone jack stereo
JS017	354001	BUCHSE-KOAXIAL-STEREO		phone jack stereo
JS018	354001	BUCHSE-KOAXIAL-STEREO		phone jack stereo
JS019	354001	BUCHSE-KOAXIAL-STEREO		phone jack stereo
JS020	354001	BUCHSE-KOAXIAL-STEREO		phone jack stereo
JS021	354001	BUCHSE-KOAXIAL-STEREO		phone jack stereo
JS022	354001	BUCHSE-KOAXIAL-STEREO		phone jack stereo
JS023	354001	BUCHSE-KOAXIAL-STEREO		phone jack stereo
Q0006	301184	TRANS BC 550 C		transistor BC 550 B
Q0007	301184	TRANS BC 550 C		transistor BC 550 B
Q0008	330264	TRANS J 111		transistor J 111 A
Q0009	330264	TRANS J 111		transistor J 111 A
Q0010	301184	TRANS BC 550 C		transistor BC 550 B
Q0011	301184	TRANS BC 550 C		transistor BC 550 B
Q0012	306928	TRANS BC 560 C		transistor BC 560 C
Q0013	301184	TRANS BC 550 C		transistor BC 550 B
Q0014	301184	TRANS BC 550 C		transistor BC 550 B
Q0015	307150	TRANS BC 337-25	TO 92	transistor BC 337-25
Q0016	306928	TRANS BC 560 C		transistor BC 560 C
Q0017	306928	TRANS BC 560 C		transistor BC 560 C
Q0018	330264	TRANS J 111		transistor J 111 A
Q0019	330264	TRANS J 111		transistor J 111 A
R0301	329215	WI-SI 10.00	OHM 0.30W 5%	safety resistor 10 Ohm
R0302	329215	WI-SI 10.00	OHM 0.30W 5%	safety resistor 10 Ohm
R0369	329215	WI-SI 10.00	OHM 0.30W 5%	safety resistor 10 Ohm
R0370	329215	WI-SI 10.00	OHM 0.30W 5%	safety resistor 10 Ohm
R0437	329215	WI-SI 10.00	OHM 0.30W 5%	safety resistor 10 Ohm
R0438	329215	WI-SI 10.00	OHM 0.30W 5%	safety resistor 10 Ohm
R0552	329215	WI-SI 10.00	OHM 0.30W 5%	safety resistor 10 Ohm
R0553	329215	WI-SI 10.00	OHM 0.30W 5%	safety resistor 10 Ohm
R0575	329215	WI-SI 10.00	OHM 0.30W 5%	safety resistor 10 Ohm
R0577	329215	WI-SI 10.00	OHM 0.30W 5%	safety resistor 10 Ohm
S10	354006	SCHALTER-RAST 2XUM		switch 2pdt
S11	354008	SCHALTER-TAST 2XUM		switch 2pdt momentary
S12	354008	SCHALTER-TAST 2XUM		switch 2pdt momentary
S13	354008	SCHALTER-TAST 2XUM		switch 2pdt momentary
S14	354008	SCHALTER-TAST 2XUM		switch 2pdt momentary
S15	354006	SCHALTER-RAST 2XUM		switch 2pdt
S2	354006	SCHALTER-RAST 2XUM		switch 2pdt
S3	354006	SCHALTER-RAST 2XUM		switch 2pdt
S4	354006	SCHALTER-RAST 2XUM		switch 2pdt
S5	354006	SCHALTER-RAST 2XUM		switch 2pdt
S6	354006	SCHALTER-RAST 2XUM		switch 2pdt
S7	354006	SCHALTER-RAST 2XUM		switch 2pdt
S8	354006	SCHALTER-RAST 2XUM		switch 2pdt
S9	354006	SCHALTER-RAST 2XUM		switch 2pdt
VR11	352328	P-DREH 20KOHM LOG POS K		pot 20k K

170102 PSX 1000 120V				
Pos. Nr.	Best. Nr.			
Ref. No.	Part No.	Bezeichnung		Description
VR12	352328	P-DREH	20KOHM LOG POS K	pot 20k K
VR13	354263	P-SHIB 2X	10KOHM LOG POS A	pot 2x10k A
VR14	352328	P-DREH	20KOHM LOG POS K	pot 20k K
VR15	352328	P-DREH	20KOHM LOG POS K	pot 20k K
VR16	354263	P-SHIB 2X	10KOHM LOG POS A	pot 2x10k A
VR17	354288	P-DREH 2X100	KOHM LOG NEG C	pot 2x100k C
VR18	354262	P-SHIB	10KOHM LOG POS A	fader 10k A
VR19	352329	P-DREH 2X	20KOHM LOG POS K	pot 2x20k K
VR20	352328	P-DREH	20KOHM LOG POS K	pot 20k K
VR21	352329	P-DREH 2X	20KOHM LOG POS K	pot 2x20k K
VR22	354414	P-SHIB	10KOHM SELEKT.AUS	fader 10k A / selected
VR001	354262	P-SHIB	10KOHM LOG POS A	fader 10k A
VR23	354414	P-SHIB	10KOHM SELEKT.AUS	fader 10k A / selected
VR001	354262	P-SHIB	10KOHM LOG POS A	fader 10k A
VR24	354264	P-SHIB	10KOHM LIN B	fader 10k B
VR25	354264	P-SHIB	10KOHM LIN B	fader 10k B
VR26	354264	P-SHIB	10KOHM LIN B	fader 10k B
VR27	354264	P-SHIB	10KOHM LIN B	fader 10k B
VR28	354264	P-SHIB	10KOHM LIN B	fader 10k B
VR29	354264	P-SHIB	10KOHM LIN B	fader 10k B
VR30	354264	P-SHIB	10KOHM LIN B	fader 10k B
VR31	354264	P-SHIB	10KOHM LIN B	fader 10k B
VR32	354264	P-SHIB	10KOHM LIN B	fader 10k B
VR33	354264	P-SHIB	10KOHM LIN B	fader 10k B
VR34	354264	P-SHIB	10KOHM LIN B	fader 10k B
VR35	354264	P-SHIB	10KOHM LIN B	fader 10k B
VR36	354264	P-SHIB	10KOHM LIN B	fader 10k B
VR37	354264	P-SHIB	10KOHM LIN B	fader 10k B
VR38	354262	P-SHIB	10KOHM LOG POS A	fader 10k A
VR39	352329	P-DREH 2X	20KOHM LOG POS K	pot 2x20k K

841698 PCBAR#PM 1000				
pcb assy power amp				
CCHAS	329021	KO-KER	0.10MF 100V 20%	cap ceramic 100nF
CN-FX	330269	FL.STECKER	6.3/0.8	connector 6.3mm faston
CNGD1	330269	FL.STECKER	6.3/0.8	connector 6.3mm faston
CNSER	354306	STIFTLEISTE	16POL	connector male 16-pin
CN001	345489	MESSERLST.	6POL	connector male 6-pin
CN002	349105	MESSERLST.	20POL	connector male 20-pin
CN012	348334	STIFTLEISTE	3POL MLSS	connector male 3-pin
CN013	348334	STIFTLEISTE	3POL MLSS	connector male 3-pin
CN014	348334	STIFTLEISTE	3POL MLSS	connector male 3-pin
CN015	341937	MESSERLST.	4POL	connector male 4-pin
C0002	301453	KO-EL	1.000MF 50V	cap electrolytic 1uF/50V
C0003	329021	KO-KER	0.10MF 100V 20%	cap ceramic 100nF
C0301	343532	KO-EL	100.000MF 25V	cap electrolytic 100uF/25V
C0302	329021	KO-KER	0.10MF 100V 20%	cap ceramic 100nF
C0303	329021	KO-KER	0.10MF 100V 20%	cap ceramic 100nF
C0304	329021	KO-KER	0.10MF 100V 20%	cap ceramic 100nF
C0305	329021	KO-KER	0.10MF 100V 20%	cap ceramic 100nF
C0306	329021	KO-KER	0.10MF 100V 20%	cap ceramic 100nF
C0307	329021	KO-KER	0.10MF 100V 20%	cap ceramic 100nF

170102 PSX 1000 120V					
Pos. Nr.	Best. Nr.	Bezeichnung		Description	
Ref. No.	Part No.				
C0308	343532	KO-EL	100.000MF 25V	cap electrolytic 100uF/25V	
C0309	340521	KO-EL	2.200MF 50V	cap electrolytic 2.2uF/50V	
C0310	301530	KO-KER	100.0PF 500V 10%	cap ceramic 100pF	
C0311	340988	KO-FOL	0.470MF 63V 5%	cap mylar 470nF	
C0312	340988	KO-FOL	0.470MF 63V 5%	cap mylar 470nF	
C0313	343532	KO-EL	100.000MF 25V	cap electrolytic 100uF/25V	
C0314	335787	KO-KER	15.0PF 100V 2%	cap ceramic 15pF	
C0315	343532	KO-EL	100.000MF 25V	cap electrolytic 100uF/25V	
C0316	343532	KO-EL	100.000MF 25V	cap electrolytic 100uF/25V	
C0317	327390	KO-FOL	470.000PF 100V 5%	cap mylar 470pF	
C0318	301558	KO-KER	33.0PF 100V 2%	cap ceramic 33pF	
C0319	337237	KO-FOL	0.047MF 100V 5%	cap mylar 47nF	
C0320	342936	KO-FOL	0.150MF 63V 5%	cap mylar 150nF	
C0321	341276	KO-FOL	0.012MF 100V 5%	cap mylar 12nF	
C0322	344109	KO-FOL	0.056MF 63V 5%	cap mylar 56nF	
C0323	341714	KO-SO	0.10MF 275V 20% K	safety cap 100nF/275V	
C0324	341714	KO-SO	0.10MF 275V 20% K	safety cap 100nF/275V	
C0325	335787	KO-KER	15.0PF 100V 2%	cap ceramic 15pF	
C0326	335787	KO-KER	15.0PF 100V 2%	cap ceramic 15pF	
C0327	301474	KO-EL	22.000MF 16V BIP	cap bip electr. 22uF/16V	
C0328	354304	KO-KER	330.0PF 500V 2%	cap ceramic 330pF	
C0329	354304	KO-KER	330.0PF 500V 2%	cap ceramic 330pF	
C0330	301458	KO-EL	2.200MF 63V	cap electrolytic 2.2uF/63V	
C0331	342923	KO-FOL	0.220MF 63V 5%	cap mylar 220nF	
C0332	342923	KO-FOL	0.220MF 63V 5%	cap mylar 220nF	
C0333	335787	KO-KER	15.0PF 100V 2%	cap ceramic 15pF	
C0334	340522	KO-EL	10.000MF 35V	cap electrolytic 10uF/35	
C0335	344105	KO-FOL	0.027MF 100V 5%	cap mylar 27nF	
C0337	301558	KO-KER	33.0PF 100V 2%	cap ceramic 33pF	
C0501	343532	KO-EL	100.000MF 25V	cap electrolytic 100uF/25V	
C0502	329021	KO-KER	0.10MF 100V 20%	cap ceramic 100nF	
C0503	329021	KO-KER	0.10MF 100V 20%	cap ceramic 100nF	
C0504	329021	KO-KER	0.10MF 100V 20%	cap ceramic 100nF	
C0505	329021	KO-KER	0.10MF 100V 20%	cap ceramic 100nF	
C0506	329021	KO-KER	0.10MF 100V 20%	cap ceramic 100nF	
C0507	329021	KO-KER	0.10MF 100V 20%	cap ceramic 100nF	
C0508	343532	KO-EL	100.000MF 25V	cap electrolytic 100uF/25V	
C0509	340521	KO-EL	2.200MF 50V	cap electrolytic 2.2uF/50V	
C0510	301530	KO-KER	100.0PF 500V 10%	cap ceramic 100pF	
C0511	340988	KO-FOL	0.470MF 63V 5%	cap mylar 470nF	
C0512	340988	KO-FOL	0.470MF 63V 5%	cap mylar 470nF	
C0513	343532	KO-EL	100.000MF 25V	cap electrolytic 100uF/25V	
C0514	335787	KO-KER	15.0PF 100V 2%	cap ceramic 15pF	
C0515	343532	KO-EL	100.000MF 25V	cap electrolytic 100uF/25V	
C0516	343532	KO-EL	100.000MF 25V	cap electrolytic 100uF/25V	
C0517	327390	KO-FOL	470.000PF 100V 5%	cap mylar 470pF	
C0518	301558	KO-KER	33.0PF 100V 2%	cap ceramic 33pF	
C0519	337237	KO-FOL	0.047MF 100V 5%	cap mylar 47nF	
C0520	342936	KO-FOL	0.150MF 63V 5%	cap mylar 150nF	
C0521	341276	KO-FOL	0.012MF 100V 5%	cap mylar 12nF	
C0522	344109	KO-FOL	0.056MF 63V 5%	cap mylar 56nF	
C0523	341714	KO-SO	0.10MF 275V 20% K	safety cap 100nF/275V	

170102 PSX 1000 120V					
Pos. Nr.	Best. Nr.				
Ref. No.	Part No.	Bezeichnung	Description		
C0524	341714	KO-SO 0.10MF 275V 20% K	safety cap 100nF/275V		
C0525	335787	KO-KER 15.0PF 100V 2%	cap ceramic 15pF		
C0526	335787	KO-KER 15.0PF 100V 2%	cap ceramic 15pF		
C0527	301474	KO-EL 22.000MF 16V BIP	cap bip electr. 22uF/16V		
C0528	354304	KO-KER 330.0PF 500V 2%	cap ceramic 330pF		
C0529	354304	KO-KER 330.0PF 500V 2%	cap ceramic 330pF		
C0530	301458	KO-EL 2.200MF 63V	cap electrolytic 2.2uF/63V		
C0531	342923	KO-FOL 0.220MF 63V 5%	cap mylar 220nF		
C0532	342923	KO-FOL 0.220MF 63V 5%	cap mylar 220nF		
C0533	335787	KO-KER 15.0PF 100V 2%	cap ceramic 15pF		
C0534	340522	KO-EL 10.000MF 35V	cap electrolytic 10uF/35		
C0535	344105	KO-FOL 0.027MF 100V 5%	cap mylar 27nF		
C0537	301558	KO-KER 33.0PF 100V 2%	cap ceramic 33pF		
C0800	329021	KO-KER 0.10MF 100V 20%	cap ceramic 100nF		
C0801	329021	KO-KER 0.10MF 100V 20%	cap ceramic 100nF		
C0802	329021	KO-KER 0.10MF 100V 20%	cap ceramic 100nF		
C0803	329021	KO-KER 0.10MF 100V 20%	cap ceramic 100nF		
C0804	329021	KO-KER 0.10MF 100V 20%	cap ceramic 100nF		
C0805	329021	KO-KER 0.10MF 100V 20%	cap ceramic 100nF		
C0806	329021	KO-KER 0.10MF 100V 20%	cap ceramic 100nF		
C0807	335935	KO-EL 2200.000MF 35V	cap electrolytic 2200uF/35V		
C0808	335935	KO-EL 2200.000MF 35V	cap electrolytic 2200uF/35V		
C0809	335935	KO-EL 2200.000MF 35V	cap electrolytic 2200uF/35V		
C0810	335935	KO-EL 2200.000MF 35V	cap electrolytic 2200uF/35V		
C0811	301524	KO-KER 47.0PF 500V 10%	cap ceramic 47pF		
C0812	329021	KO-KER 0.10MF 100V 20%	cap ceramic 100nF		
C0813	341920	KO-EL 470.000MF 63V	cap electrolytic 470uF/63V		
C0814	301491	KO-EL 100.000MF 50V	cap electrolytic 100uF/50V		
C0815	301491	KO-EL 100.000MF 50V	cap electrolytic 100uF/50V		
C0816	343530	KO-EL 47.000MF 50V	cap electrolytic 47uF/50V		
C0817	329021	KO-KER 0.10MF 100V 20%	cap ceramic 100nF		
C0818	335935	KO-EL 2200.000MF 35V	cap electrolytic 2200uF/35V		
C0819	329021	KO-KER 0.10MF 100V 20%	cap ceramic 100nF		
C0820	340522	KO-EL 10.000MF 35V	cap electrolytic 10uF/35		
C0822	340988	KO-FOL 0.470MF 63V 5%	cap mylar 470nF		
C0823	337597	KO-EL 1000.000MF 50V	cap electrolytic 1000uF/50V		
C0824	307445	KO-EL 10.000MF 35V	cap electrolytic 10uF/35V		
C0825	342923	KO-FOL 0.220MF 63V 5%	cap mylar 220nF		
C0826	329021	KO-KER 0.10MF 100V 20%	cap ceramic 100nF		
C0828	301524	KO-KER 47.0PF 500V 10%	cap ceramic 47pF		
C0829	343530	KO-EL 47.000MF 50V	cap electrolytic 47uF/50V		
C0830	301491	KO-EL 100.000MF 50V	cap electrolytic 100uF/50V		
C0831	301491	KO-EL 100.000MF 50V	cap electrolytic 100uF/50V		
C0832	329021	KO-KER 0.10MF 100V 20%	cap ceramic 100nF		
C0833	329021	KO-KER 0.10MF 100V 20%	cap ceramic 100nF		
C0835	351835	KO-EL 4700.000MF 100V 20%	cap electrolytic 4700uF/100		
C0836	351835	KO-EL 4700.000MF 100V 20%	cap electrolytic 4700uF/100		
C0837	351835	KO-EL 4700.000MF 100V 20%	cap electrolytic 4700uF/100		
C0838	351835	KO-EL 4700.000MF 100V 20%	cap electrolytic 4700uF/100		
C0840	329021	KO-KER 0.10MF 100V 20%	cap ceramic 100nF		
C0842	329021	KO-KER 0.10MF 100V 20%	cap ceramic 100nF		
C0845	329021	KO-KER 0.10MF 100V 20%	cap ceramic 100nF		

170102 PSX 1000 120V					
Pos. Nr.	Best. Nr.	Bezeichnung			Description
Ref. No.	Part No.				
C0846	329021	KO-KER	0.10MF	100V 20%	cap ceramic 100nF
C0847	301524	KO-KER	47.0PF	500V 10%	cap ceramic 47pF
C0848	341920	KO-EL	470.000MF	63V	cap electrolytic 470uF/63V
C0849	354305	KO-EL	68.000MF	50V	cap electrolytic 68uF/50V
C0850	354305	KO-EL	68.000MF	50V	cap electrolytic 68uF/50V
C0851	343530	KO-EL	47.000MF	50V	cap electrolytic 47uF/50V
C0852	343534	KO-EL	1000.000MF	16V	cap electrolytic 1000uF/16V
C0853	343534	KO-EL	1000.000MF	16V	cap electrolytic 1000uF/16V
C0854	329021	KO-KER	0.10MF	100V 20%	cap ceramic 100nF
D0301	309450	DIODZ BZX 55C	15V	0.50W	diode zener 15V
D0302	309450	DIODZ BZX 55C	15V	0.50W	diode zener 15V
D0303	301254	DIODE 1N 4148	AXIAL		diode 1N 4148
D0304	301254	DIODE 1N 4148	AXIAL		diode 1N 4148
D0305	301254	DIODE 1N 4148	AXIAL		diode 1N 4148
D0306	301254	DIODE 1N 4148	AXIAL		diode 1N 4148
D0307	301254	DIODE 1N 4148	AXIAL		diode 1N 4148
D0309	329511	DIODZ BZX 55C	2V4	0.50W	diode zener 2V4
D0310	301254	DIODE 1N 4148	AXIAL		diode 1N 4148
D0311	301254	DIODE 1N 4148	AXIAL		diode 1N 4148
D0312	301254	DIODE 1N 4148	AXIAL		diode 1N 4148
D0313	307916	DIODZ BZX 55C	7V5	0.50W	diode zener 7V5
D0314	307916	DIODZ BZX 55C	7V5	0.50W	diode zener 7V5
D0315	301254	DIODE 1N 4148	AXIAL		diode 1N 4148
D0316	304360	DIODE 1N 4007	GEGURTET		diode 1N 4002
D0317	304360	DIODE 1N 4007	GEGURTET		diode 1N 4002
D0318	301254	DIODE 1N 4148	AXIAL		diode 1N 4148
D0319	301254	DIODE 1N 4148	AXIAL		diode 1N 4148
D0501	309450	DIODZ BZX 55C	15V	0.50W	diode zener 15V
D0502	309450	DIODZ BZX 55C	15V	0.50W	diode zener 15V
D0503	301254	DIODE 1N 4148	AXIAL		diode 1N 4148
D0504	301254	DIODE 1N 4148	AXIAL		diode 1N 4148
D0505	301254	DIODE 1N 4148	AXIAL		diode 1N 4148
D0506	301254	DIODE 1N 4148	AXIAL		diode 1N 4148
D0507	301254	DIODE 1N 4148	AXIAL		diode 1N 4148
D0509	329511	DIODZ BZX 55C	2V4	0.50W	diode zener 2V4
D0510	301254	DIODE 1N 4148	AXIAL		diode 1N 4148
D0511	301254	DIODE 1N 4148	AXIAL		diode 1N 4148
D0512	301254	DIODE 1N 4148	AXIAL		diode 1N 4148
D0513	307916	DIODZ BZX 55C	7V5	0.50W	diode zener 7V5
D0514	307916	DIODZ BZX 55C	7V5	0.50W	diode zener 7V5
D0515	301254	DIODE 1N 4148	AXIAL		diode 1N 4148
D0516	304360	DIODE 1N 4007	GEGURTET		diode 1N 4002
D0517	304360	DIODE 1N 4007	GEGURTET		diode 1N 4002
D0518	301254	DIODE 1N 4148	AXIAL		diode 1N 4148
D0519	301254	DIODE 1N 4148	AXIAL		diode 1N 4148
D0520	304360	DIODE 1N 4007	GEGURTET		diode 1N 4002
D0800	301254	DIODE 1N 4148	AXIAL		diode 1N 4148
D0801	301254	DIODE 1N 4148	AXIAL		diode 1N 4148
D0802	306953	DIODZ BZV 86C	1V4	0.33W	diode zener BZV 86C 1V4
D0803	306953	DIODZ BZV 86C	1V4	0.33W	diode zener BZV 86C 1V4
D0804	304360	DIODE 1N 4007	GEGURTET		diode 1N 4002
D0805	304360	DIODE 1N 4007	GEGURTET		diode 1N 4002

170102 PSX 1000 120V				
Pos. Nr.	Best. Nr.			
Ref. No.	Part No.	Bezeichnung		Description
D0806	304360	DIODE 1N 4007	GEGURTET	diode 1N 4002
D0807	304360	DIODE 1N 4007	GEGURTET	diode 1N 4002
D0808	308455	DIODE 1N 5401 OD.	1N 5402	diode 1N 5401
D0809	308455	DIODE 1N 5401 OD.	1N 5402	diode 1N 5401
D0810	308455	DIODE 1N 5401 OD.	1N 5402	diode 1N 5401
D0811	308455	DIODE 1N 5401 OD.	1N 5402	diode 1N 5401
D0812	304992	DIODZ BZX 55C	6V8 0.50W	diode zener 6V8
D0815	304992	DIODZ BZX 55C	6V8 0.50W	diode zener 6V8
D0816	301254	DIODE 1N 4148	AXIAL	diode 1N 4148
D0817	304360	DIODE 1N 4007	GEGURTET	diode 1N 4002
D0818	304360	DIODE 1N 4007	GEGURTET	diode 1N 4002
D0819	304360	DIODE 1N 4007	GEGURTET	diode 1N 4002
D0820	304360	DIODE 1N 4007	GEGURTET	diode 1N 4002
D0822	301254	DIODE 1N 4148	AXIAL	diode 1N 4148
D0823	301254	DIODE 1N 4148	AXIAL	diode 1N 4148
D0824	301254	DIODE 1N 4148	AXIAL	diode 1N 4148
D0825	301254	DIODE 1N 4148	AXIAL	diode 1N 4148
D0826	301254	DIODE 1N 4148	AXIAL	diode 1N 4148
D0827	301254	DIODE 1N 4148	AXIAL	diode 1N 4148
D0828	301254	DIODE 1N 4148	AXIAL	diode 1N 4148
D0829	301254	DIODE 1N 4148	AXIAL	diode 1N 4148
D0830	301254	DIODE 1N 4148	AXIAL	diode 1N 4148
D0831	301254	DIODE 1N 4148	AXIAL	diode 1N 4148
D0832	301254	DIODE 1N 4148	AXIAL	diode 1N 4148
D0833	304360	DIODE 1N 4007	GEGURTET	diode 1N 4002
D0834	304360	DIODE 1N 4007	GEGURTET	diode 1N 4002
D0835	304360	DIODE 1N 4007	GEGURTET	diode 1N 4002
D0836	304360	DIODE 1N 4007	GEGURTET	diode 1N 4002
D0837	304360	DIODE 1N 4007	GEGURTET	diode 1N 4002
E0301	354859	RELAIS 793-P-1C-S-24V DC		relay 24V
E0501	354859	RELAIS 793-P-1C-S-24V DC		relay 24V
F080A	305205	SICHER T 2.5 A 250V		fuse 2.5A slow blow
F0800	306838	SICHER-HALTER	FAP	fuse holder
F0801	306838	SICHER-HALTER	FAP	fuse holder
H0300	343457	DICKS-NETZW.	8PIN 2%	res.network 8x10k
H0301	343457	DICKS-NETZW.	8PIN 2%	res.network 8x10k
H0500	343457	DICKS-NETZW.	8PIN 2%	res.network 8x10k
H0501	343457	DICKS-NETZW.	8PIN 2%	res.network 8x10k
I0300	327197	IC NE 5532 P	2FACH OP	IC NE 5532 N
I0301	338359	IC LM 308 AN		IC LM 308 A
I0302	327197	IC NE 5532 P	2FACH OP	IC NE 5532 N
I0303	307421	IC CA 3080 E	OTA	IC CA 3080 E
I0304	331340	IC TL 072 CP	2FACH OP	IC TL 072 CP
I0305	327197	IC NE 5532 P	2FACH OP	IC NE 5532 N
I0500	327197	IC NE 5532 P	2FACH OP	IC NE 5532 N
I0501	338359	IC LM 308 AN		IC LM 308 A
I0502	327197	IC NE 5532 P	2FACH OP	IC NE 5532 N
I0503	307421	IC CA 3080 E	OTA	IC CA 3080 E
I0504	331340	IC TL 072 CP	2FACH OP	IC TL 072 CP
I0505	327197	IC NE 5532 P	2FACH OP	IC NE 5532 N
I0800	309719	IC SPNG.REG. LM 340T05		IC MC 7805 C
I0801	332985	IC TL 074 CN		IC TL 074 CN

170102 PSX 1000 120V			
Pos. Nr.	Best. Nr.		
Ref. No.	Part No.	Bezeichnung	Description
I0802	308293	IC SPNG.REGL. LM 7915 CT	IC LM 7915 CT
I0803	308292	IC SPNG.REGL. LM 340T15	IC LM 340 T-15
L0301	348592	FILTERSP. 2.50UH/0.004OHM	coil 2.5uH
L0501	348592	FILTERSP. 2.50UH/0.004OHM	coil 2.5uH
00010	338869	TRANS MJE 350	transistor MJE 350
Q0301	335763	TRANS 2N 3904	transistor 2N 3904
Q0302	348422	TRANS MPSA 42	transistor MPSA 42
Q0303	348422	TRANS MPSA 42	transistor MPSA 42
Q0304	335763	TRANS 2N 3904	transistor 2N 3904
Q0305	335763	TRANS 2N 3904	transistor 2N 3904
Q0306	335763	TRANS 2N 3904	transistor 2N 3904
Q0307	348421	TRANS 2N 3906	transistor 2N 3906
Q0308	348421	TRANS 2N 3906	transistor 2N 3906
Q0309	348421	TRANS 2N 3906	transistor 2N 3906
Q0310	348423	TRANS MPSA 92	transistor MPSA 92
Q0311	348423	TRANS MPSA 92	transistor MPSA 92
00010	338868	TRANS MJE 340	transistor MJE 340
Q0313	348421	TRANS 2N 3906	transistor 2N 3906
Q0314	335763	TRANS 2N 3904	transistor 2N 3904
Q0315	348421	TRANS 2N 3906	transistor 2N 3906
Q0316	330264	TRANS J 111	transistor J 111 A
Q0317	351981	TRANS MJL 3281 A	transistor MJL 3281 A
Q0318	331657	TRANS MJ 15022	transistor MJ 15022
Q0319	331657	TRANS MJ 15022	transistor MJ 15022
Q0320	331657	TRANS MJ 15022	transistor MJ 15022
Q0321	331657	TRANS MJ 15022	transistor MJ 15022
Q0322	331658	TRANS MJ 15023	transistor MJ 15023
Q0323	331658	TRANS MJ 15023	transistor MJ 15023
Q0324	331658	TRANS MJ 15023	transistor MJ 15023
Q0325	331658	TRANS MJ 15023	transistor MJ 15023
Q0326	351982	TRANS MJL 1302 A	transistor MJL 1302 A
Q0327	348409	TRANS 2SC 4793	transistor 2SC 4793
Q0328	348421	TRANS 2N 3906	transistor 2N 3906
Q0329	335763	TRANS 2N 3904	transistor 2N 3904
Q0330	348421	TRANS 2N 3906	transistor 2N 3906
Q0331	335763	TRANS 2N 3904	transistor 2N 3904
Q0332	348422	TRANS MPSA 42	transistor MPSA 42
Q0333	348423	TRANS MPSA 92	transistor MPSA 92
Q0334	348423	TRANS MPSA 92	transistor MPSA 92
Q0335	348423	TRANS MPSA 92	transistor MPSA 92
Q0336	348422	TRANS MPSA 42	transistor MPSA 42
Q0337	348423	TRANS MPSA 92	transistor MPSA 92
Q0338	307911	TRANS BF 393	transistor BF 391
Q0339	307911	TRANS BF 393	transistor BF 391
Q0340	348421	TRANS 2N 3906	transistor 2N 3906
Q0341	335763	TRANS 2N 3904	transistor 2N 3904
Q0342	348421	TRANS 2N 3906	transistor 2N 3906
00010	338869	TRANS MJE 350	transistor MJE 350
Q0501	335763	TRANS 2N 3904	transistor 2N 3904
Q0502	348422	TRANS MPSA 42	transistor MPSA 42
Q0503	348422	TRANS MPSA 42	transistor MPSA 42
Q0504	335763	TRANS 2N 3904	transistor 2N 3904

170102 PSX 1000 120V			
Pos. Nr.	Best. Nr.		
Ref. No.	Part No.	Bezeichnung	Description
Q0505	335763	TRANS 2N 3904	transistor 2N 3904
Q0506	335763	TRANS 2N 3904	transistor 2N 3904
Q0507	348421	TRANS 2N 3906	transistor 2N 3906
Q0508	348421	TRANS 2N 3906	transistor 2N 3906
Q0509	348421	TRANS 2N 3906	transistor 2N 3906
Q0510	348423	TRANS MPSA 92	transistor MPSA 92
Q0511	348423	TRANS MPSA 92	transistor MPSA 92
00010	338868	TRANS MJE 340	transistor MJE 340
Q0513	348421	TRANS 2N 3906	transistor 2N 3906
Q0514	335763	TRANS 2N 3904	transistor 2N 3904
Q0515	348421	TRANS 2N 3906	transistor 2N 3906
Q0516	330264	TRANS J 111	transistor J 111 A
Q0517	351981	TRANS MJL 3281 A	transistor MJL 3281 A
Q0518	331657	TRANS MJ 15022	transistor MJ 15022
Q0519	331657	TRANS MJ 15022	transistor MJ 15022
Q0520	331657	TRANS MJ 15022	transistor MJ 15022
Q0521	331657	TRANS MJ 15022	transistor MJ 15022
Q0522	331658	TRANS MJ 15023	transistor MJ 15023
Q0523	331658	TRANS MJ 15023	transistor MJ 15023
Q0524	331658	TRANS MJ 15023	transistor MJ 15023
Q0525	331658	TRANS MJ 15023	transistor MJ 15023
Q0526	351982	TRANS MJL 1302 A	transistor MJL 1302 A
Q0527	348409	TRANS 2SC 4793	transistor 2SC 4793
Q0528	348421	TRANS 2N 3906	transistor 2N 3906
Q0529	335763	TRANS 2N 3904	transistor 2N 3904
Q0530	348421	TRANS 2N 3906	transistor 2N 3906
Q0531	335763	TRANS 2N 3904	transistor 2N 3904
Q0532	348422	TRANS MPSA 42	transistor MPSA 42
Q0533	348423	TRANS MPSA 92	transistor MPSA 92
Q0534	348423	TRANS MPSA 92	transistor MPSA 92
Q0535	348423	TRANS MPSA 92	transistor MPSA 92
Q0536	348422	TRANS MPSA 42	transistor MPSA 42
Q0537	348423	TRANS MPSA 92	transistor MPSA 92
Q0538	307911	TRANS BF 393	transistor BF 391
Q0539	307911	TRANS BF 393	transistor BF 391
Q0540	348421	TRANS 2N 3906	transistor 2N 3906
Q0541	335763	TRANS 2N 3904	transistor 2N 3904
Q0542	348421	TRANS 2N 3906	transistor 2N 3906
00010	301233	TRANS BD 246 B	transistor BD 246 B
00010	301236	TRANS BD 241 B	transistor BD 241 B
Q0802	348422	TRANS MPSA 42	transistor MPSA 42
Q0804	307150	TRANS BC 337-25	TO 92 transistor BC 337-25
00010	301234	TRANS BD 245 B	transistor BD 245 B
Q0806	301236	TRANS BD 241 B	transistor BD 241 B
Q0807	348422	TRANS MPSA 42	transistor MPSA 42
Q0808	307150	TRANS BC 337-25	TO 92 transistor BC 337-25
Q0809	306928	TRANS BC 560 C	transistor BC 560 C
Q0810	306928	TRANS BC 560 C	transistor BC 560 C
Q0811	307150	TRANS BC 337-25	TO 92 transistor BC 337-25
Q0812	306928	TRANS BC 560 C	transistor BC 560 C
Q0813	306928	TRANS BC 560 C	transistor BC 560 C
Q0814	306928	TRANS BC 560 C	transistor BC 560 C

170102 PSX 1000 120V				
Pos. Nr.	Best. Nr.			
Ref. No.	Part No.	Bezeichnung		Description
Q0815	306928	TRANS BC 560 C		transistor BC 560 C
Q0816	306928	TRANS BC 560 C		transistor BC 560 C
Q0817	307150	TRANS BC 337-25	TO 92	transistor BC 337-25
Q0819	307150	TRANS BC 337-25	TO 92	transistor BC 337-25
Q0820	307150	TRANS BC 337-25	TO 92	transistor BC 337-25
Q0821	301184	TRANS BC 550 C		transistor BC 550 B
Q0822	307430	TRANS BC 327-25	TO 92	transistor BC 327-25
Q0823	301235	TRANS BD 242 B		transistor BD 242 B
Q0824	307430	TRANS BC 327-25	TO 92	transistor BC 327-25
Q0825	307150	TRANS BC 337-25	TO 92	transistor BC 337-25
R0370	348456	WI-DR 2X 0.22 OHM 5.00W 5%		resistor 2x0.22 Ohm 5watt
R0371	348456	WI-DR 2X 0.22 OHM 5.00W 5%		resistor 2x0.22 Ohm 5watt
R0372	348456	WI-DR 2X 0.22 OHM 5.00W 5%		resistor 2x0.22 Ohm 5watt
R0373	348456	WI-DR 2X 0.22 OHM 5.00W 5%		resistor 2x0.22 Ohm 5watt
R0385	341713	WI-DR 4.70 OHM 4.00W 5%		resistor 4.70 Ohm 4watt
R0386	348590	WI-DR 8.20 OHM 4.00W 5%		resistor 8.20 Ohm 4watt
R0387	348590	WI-DR 8.20 OHM 4.00W 5%		resistor 8.20 Ohm 4watt
R0407	348593	WI-SO NTC K 164/2.2K		safety component NTC
R0412	348593	WI-SO NTC K 164/2.2K		safety component NTC
R0570	348456	WI-DR 2X 0.22 OHM 5.00W 5%		resistor 2x0.22 Ohm 5watt
R0571	348456	WI-DR 2X 0.22 OHM 5.00W 5%		resistor 2x0.22 Ohm 5watt
R0572	348456	WI-DR 2X 0.22 OHM 5.00W 5%		resistor 2x0.22 Ohm 5watt
R0573	348456	WI-DR 2X 0.22 OHM 5.00W 5%		resistor 2x0.22 Ohm 5watt
R0585	341713	WI-DR 4.70 OHM 4.00W 5%		resistor 4.70 Ohm 4watt
R0586	348590	WI-DR 8.20 OHM 4.00W 5%		resistor 8.20 Ohm 4watt
R0587	348590	WI-DR 8.20 OHM 4.00W 5%		resistor 8.20 Ohm 4watt
R0607	348593	WI-SO NTC K 164/2.2K		safety component NTC
R0612	348593	WI-SO NTC K 164/2.2K		safety component NTC
R0804	302022	WI-SCH 10.00 OHM 2.00W 5%		resistor 10 ohm 2watt
R0809	351538	WI-DR 1.00 OHM 5.00W 5%		resistor 1.00 ohm 5watt
R0811	351538	WI-DR 1.00 OHM 5.00W 5%		resistor 1.00 ohm 5watt
R0859	348490	WI-SO NTC K 164/100K/J		safety component NTC
R0874	348490	WI-SO NTC K 164/100K/J		safety component NTC
R0875	329215	WI-SI 10.00 OHM 0.30W 5%		safety resistor 10 Ohm
R0877	302022	WI-SCH 10.00 OHM 2.00W 5%		resistor 10 ohm 2watt
R0878	329215	WI-SI 10.00 OHM 0.30W 5%		safety resistor 10 Ohm
R0879	302022	WI-SCH 10.00 OHM 2.00W 5%		resistor 10 ohm 2watt
R0880	302022	WI-SCH 10.00 OHM 2.00W 5%		resistor 10 ohm 2watt
VR300	348486	WI-TRI 47.00 KOHM LIN		pot trim 47k Ohm lin
VR301	348674	WI-TRI 250.00 OHM LIN		pot trim 220 Ohm lin
VR500	348486	WI-TRI 47.00 KOHM LIN		pot trim 47k Ohm lin
VR501	348674	WI-TRI 250.00 OHM LIN		pot trim 220 Ohm lin
00110	330269	FL.STECKER 6.3/0.8		connector 6.3mm faston
00155	343516	FL.STECKER 4.8/0.5		connector 4.8mm faston

852678 PCB+B.PSX1000				
				pcb assy mains input
CN15X	341937	MESSERLST. 4POL		connector male 4-pin
C0900	341714	KO-SO 0.10MF 275V 20% K		safety cap 100nF/275V
D0900	304360	DIODE 1N 4007 GEGURTET		diode 1N 4007
E0002	354859	RELAIS 793-P-1C-S-24V DC		relay 24V
F0900	348855	SICHER-HALTE-FEDER 122090.		fuse clip

170102 PSX 1000 120V			
Pos. Nr.	Best. Nr.		
Ref. No.	Part No.	Bezeichnung	Description
JS001	338835	STECKER-KALTGERÄTE	connector male mains
R0900	348550	WI-SO NTC 10 OHM K	safety resistor 10 Ohm
S0900	349114	SCHALTER-NETZ	mains switch
00010	351850	SICHER T 15 A 250V	fuse 15 A slow blow
00030	329022	FL.STECKER 6.3/0.8	connector 6.3mm faston
00035	330269	FL.STECKER 6.3/0.8	connector 6.3mm faston

804388 PCB--*PM 1000 N 4				pcb assy effects
C 001	340520	KO-EL 1.000MF 50V		cap electrolytic 1uF/50V
C 003	340523	KO-EL 22.000MF 16V		cap electrolytic 22uF/16V
C 005	340520	KO-EL 1.000MF 50V		cap electrolytic 1uF/50V
C 007	342923	KO-FOL 0.220MF 63V 5%		cap mylar 220nF
C 008	340520	KO-EL 1.000MF 50V		cap electrolytic 1uF/50V
C 012	340520	KO-EL 1.000MF 50V		cap electrolytic 1uF/50V
C 015	340522	KO-EL 10.000MF 35V		cap electrolytic 10uF/35
C 016	340522	KO-EL 10.000MF 35V		cap electrolytic 10uF/35
C 019	346841	KO-EL 47.000MF 16V		cap electrolytic 47uF/16V
C 020	346841	KO-EL 47.000MF 16V		cap electrolytic 47uF/16V
C 021	346841	KO-EL 47.000MF 16V		cap electrolytic 47uF/16V
C 023	342933	KO-FOL 0.022MF 100V 5%		cap mylar 22nF
C 025	340520	KO-EL 1.000MF 50V		cap electrolytic 1uF/50V
C 027	340520	KO-EL 1.000MF 50V		cap electrolytic 1uF/50V
C 030	340520	KO-EL 1.000MF 50V		cap electrolytic 1uF/50V
C 031	340524	KO-EL 100.000MF 16V		cap electrolytic 100uF/16V
C 032	340524	KO-EL 100.000MF 16V		cap electrolytic 100uF/16V
C 035	346841	KO-EL 47.000MF 16V		cap electrolytic 47uF/16V
C 041	340524	KO-EL 100.000MF 16V		cap electrolytic 100uF/16V
C 046	340521	KO-EL 2.200MF 50V		cap electrolytic 2.2uF/50V
CN001	342982	STIFTLISTE 2X 5POL		connector male 2x5-pin
CN002	354230	STIFTLISTE 6POL TSW-106		connector male 6-pin
CN003	354230	STIFTLISTE 6POL TSW-106		connector male 6-pin
CN004	354230	STIFTLISTE 6POL TSW-106		connector male 6-pin
CN005	341937	MESSERLST. 4POL		connector male 4-pin
CN006	341937	MESSERLST. 4POL		connector male 4-pin
CN007	329022	FL.STECKER 6.3/0.8		connector 6.3mm faston
D 003	348492	DISPLAY LED TDSR 3150 HELL.		display TDSR 3150 G+H
D 004	348492	DISPLAY LED TDSR 3150 HELL.		display TDSR 3150 G+H
D 005	348492	DISPLAY LED TDSR 3150 HELL.		display TDSR 3150 G+H
D 006	348492	DISPLAY LED TDSR 3150 HELL.		display TDSR 3150 G+H
IC005	351726	IC MC 34064		IC MC 34064
X 001	354231	QUARZ 8.1920MHZ HC-49-U4		crystal 8.192mhz

Ersatzteilliste - Bill of Materials

170103		PSX 1600 120V	
Pos. Nr.	Best. Nr.	Bezeichnung	Description
Ref. No.	Part No.	Bezeichnung	Description
		Zubehör	Accessories & packing material
	358173	OWNER'S MANUAL PSX-SERIES	owner's manual psx-series
	358187	QUICK START PSX-SERIES	quick start psx-series
	346832	KABEL-NETZ UL/CSA 10A/125V	power cable US
	358178	KRT. PSX 1600	carton
	355472	STYROPOR-EINL. LI. POWERM.	foam left
	355473	STYROPOR-EINL. RE. POWERM.	foam right
	338158	SCHUTZHÜLLE 800X1200X0,07	plastic bag
	358179	KRT. PSX 1600 AUSSEN	carton outer
		Mechanische Teile	Cabinet material
B0010	341343	BUCHSE-SPEAKON-VIERECK 4POL	speaker socket 4-pole
C0001	333014	KO-SO 0.10MF 275V 20% L	safety cap 100nF/275V
G0010	343270	GLRI GBPC 3504	rectifier GBPC-P 3504
	353911	EINLEGEFOLIE POWERM.1000	mylar window
	355153	SK 25X13 WS/SW 4X1,2	knob fader wh/bl
	355155	SK 25X13 BL/GR 4X1,2	knob fader bl/gr
	355154	SK 25X13 BL/GR 4X1,2	knob fader bl/gr
	355156	SK 25X13 RT/GR 4X1,2	knob fader rd/gr
	353648	SK 7X10 GR 4X1,2	knob fader gr
	353879	TK 10X5 GR 3,3	push button
	353905	DK 11 GR/GR/RT B 6FL	knob rotary gr/rd
	353909	DK 11 GR/GR/GR B 6FL	knob rotary gr/gr
	353907	DK 11 GR/GR/BL B 6FL	knob rotary gr/blu
	353906	DK 11 GR/GR/BL B 6FL	knob rotary gr/blu
	353910	DK 11 GR/GR/SW B 6FL	knob rotary gr/bla
	341382	KNOPF-TASTE 20X8 SW 3.3	push button black
	337044	VERSCHL-KAPPE 2633 DP-437	plug, hole
	348415	LÜFTER TYP FBA08A24H DC	fan dc 24V
	355463	SEITENTEIL LINKS LACKIERT	side panel left
	355464	SEITENTEIL RECHTS LACKIERT	side panel right
	355513	GRIFF POWERMATE 1000	handle
	358216	BEZ. SCHILD PSX 1000-GRIFF	label, handle
	349627	KABEL-KONFEKT 4POL 0.320M	ribbon cable assy 4-way
	346151	KABEL-KONFEKT 4POL 0.065M	ribbon cable assy 4-way
	355277	KABEL-KONFEKT-BUS 6POL 4X	ribbon cable assy 6-way
	355276	KABEL-KONFEKT-BUS 12POL 4X	ribbon cable assy 12-way
	355270	KABEL-KONFEKT 20POL 0.800M	ribbon cable assy 20-way
	355271	KABEL-KONFEKT 6POL 0.800M	ribbon cable assy 6-way
	355152	NIPPEL POWERMATE 1000	plastic nipple
	355151	SCHNAPPVERSCHLUSS SER.102	latch top cover
	358116	FB.PSX 1600 BED	front panel psx1600
	358117	BOD.PSX 1600 120V BED	base chassis psx1600
	358118	DEC.PSX 1600 BED	top cover psx1600
	354412	NT-RG.PSX1000 120V	mains transformer 120V
	348805	WI-SO PTC K155 100GRAD	safety component PTC
	348341	FEDERLEISTE 3POL CE100-	connector female 3-pole

170103		PSX 1600 120V	
Pos. Nr.	Best. Nr.		
Ref. No.	Part No.	Bezeichnung	Description

348341 FEDERLEISTE 3POL CE100- connector female 3-pole

813348	PCBAR#PM 1000	pcb assy "mic-channel"
---------------	----------------------	-------------------------------

please see PSX1000

813368	PCBAR#PM 1000	pcb assy "line-channel"
---------------	----------------------	--------------------------------

please see PSX1000

822258	PCBAR#PM 1000	pcb assy master
---------------	----------------------	------------------------

please see PSX1000

841698	PCBAR#PM 1000	pcb assy power amp
---------------	----------------------	---------------------------

please see PSX1000

852678	PCB+B.PSX1000	pcb assy mains input
---------------	----------------------	-----------------------------

please see PSX1000

804388	PCB--*PM 1000	N 4	pcb assy effects
---------------	----------------------	------------	-------------------------

please see PSX1000

Ersatzteilliste - Bill of Materials

170104		PSX 2200 120V	
Pos. Nr.	Best. Nr.	Bezeichnung	Description
Ref. No.	Part No.		

Zubehör			Accessories & packing material
Z0030	358173	OWNER'S MANUAL PSX-SERIES	owner's manual psx-series
Z0035	358187	QUICK START PSX-SERIES	quick start psx-series
Z0040	354617	KABEL-NETZ UL/CSA 15A/125V	power cord US
	358226	KRT. PSX 2200	carton
	355472	STYROPOR-EINL. LI. POWERM.	foam left
	355473	STYROPOR-EINL. RE. POWERM.	foam right
	338158	SCHUTZHÜLLE 800X1200X0,07	plastic bag
	358227	KRT. PSX 2200 AUSSSEN	carton outer

Mechanische Teile			Cabinet material
B0010	341343	BUCHSE-SPEAKON-VIERECK 4POL	speaker socket 4-pole
C0001	333014	KO-SO 0.10MF 275V 20% L	safety cap 100nF/275V
G0010	343270	GLRI GBPC 3504	rectifier GBPC-P 3504
	353911	EINLEGEFOLIE POWERM.1000	mylar window
	355153	SK 25X13 WS/SW 4X1,2	knob fader wh/bl
	355155	SK 25X13 BL/GR 4X1,2	knob fader bl/gr
	355154	SK 25X13 BL/GR 4X1,2	knob fader bl/gr
	355156	SK 25X13 RT/GR 4X1,2	knob fader rd/gr
	353648	SK 7X10 GR 4X1,2	knob fader gr
	353879	TK 10X5 GR 3,3	push button
	353905	DK 11 GR/GR/RT B 6FL	knob rotary gr/rd
	353909	DK 11 GR/GR/GR B 6FL	knob rotary gr/gre
	353907	DK 11 GR/GR/BL B 6FL	knob rotary gr/blu
	353906	DK 11 GR/GR/BL B 6FL	knob rotary gr/blu
	353910	DK 11 GR/GR/SW B 6FL	knob rotary gr/blu
	341382	KNOPF-TASTE 20X8 SW 3.3	push button black
	337044	VERSCHL-KAPPE 2633 DP-437	plug, hole
	348415	LÜFTER TYP FBA08A24H DC	fan dc 24V
	355463	SEITENTEIL LINKS LACKIERT	side panel left
	355464	SEITENTEIL RECHTS LACKIERT	side panel right
	355513	GRIFF POWERMATE 1000	handle
	358216	BEZ. SCHILD PSX 1000-GRIFF	label, handle
	348461	KABEL-KONFEKT 4POL 0.530M	ribbon cable assy 4-way
	346151	KABEL-KONFEKT 4POL 0.065M	ribbon cable assy 4-way
	357148	KABEL-KONFEKT-BUS 6POL 5X	ribbon cable assy 6-way
	357147	KABEL-KONFEKT-BUS 12POL 5X	ribbon cable assy 12-way
	355270	KABEL-KONFEKT 20POL 0.800M	ribbon cable assy 20-way
	355271	KABEL-KONFEKT 6POL 0.800M	ribbon cable assy 6-way
	355152	NIPPEL POWERMATE 1000	plastic nipple
	355151	SCHNAPPVERSCHLUSS SER.102	latch top cover
	358119	FRONTBL-BED PSX 2200	front panel psx2200
	358156	BOD.PSX2200 BED	base chassis psx2200
	358157	DEC.PSX2200 BED	top cover psx2200
	357128	NT-RG.PSX2200 120/240V	mains xformer 120/240V
	348805	WI-SO PTC K155 100GRAD	safety component PTC
	348341	FEDERLEISTE 3POL CE100-	connector female 3-pole

170104		PSX 2200 120V		
Pos. Nr.	Best. Nr.			
Ref. No.	Part No.	Bezeichnung		Description

348341	FEDERLEISTE 3POL	CE100-	connector female 3-pole
--------	------------------	--------	-------------------------

813348	PCBAR#PM 1000	pcb assy "mic-channel"		
---------------	----------------------	-------------------------------	--	--

please see PSX 1000

813368	PCBAR#PM 1000	pcb assy "line-channel"		
---------------	----------------------	--------------------------------	--	--

please see PSX 1000

822258	PCBAR#PM 1000	pcb assy master		
---------------	----------------------	------------------------	--	--

please see PSX 1000

841988	PCBAR*PM2200	pcb assy power amp		
---------------	---------------------	---------------------------	--	--

CCHAS	329021	KO-KER	0.10MF	100V 20%	cap ceramic 100nF
CN-FX	330269	FL.STECKER	6.3/0.8		connector 6.3mm faston
CNAC1	343516	FL.STECKER	4.8/0.5		connector 4.8mm faston
CNAC2	343516	FL.STECKER	4.8/0.5		connector 4.8mm faston
CNGND	343516	FL.STECKER	4.8/0.5		connector 4.8mm faston
CNGN2	330269	FL.STECKER	6.3/0.8		connector 6.3mm faston
CNSER	354306	STIFTLEISTE	16POL		connector male 16-pin
CNVC+	330269	FL.STECKER	6.3/0.8		connector 6.3mm faston
CNVC-	330269	FL.STECKER	6.3/0.8		connector 6.3mm faston
CN001	345489	MESSERLST.	6POL		connector male 6-pin
CN002	349105	MESSERLST.	20POL		connector male 20-pin
CN012	348334	STIFTLEISTE	3POL	MLSS	connector male 3-pin
CN013	348334	STIFTLEISTE	3POL	MLSS	connector male 3-pin
CN014	348334	STIFTLEISTE	3POL	MLSS	connector male 3-pin
CN015	341937	MESSERLST.	4POL		connector male 4-pin
C0001	343530	KO-EL	47.000MF	50V	cap electrolytic 47uF/50V
C0002	343530	KO-EL	47.000MF	50V	cap electrolytic 47uF/50V
C0003	329021	KO-KER	0.10MF	100V 20%	cap ceramic 100nF
C0004	301470	KO-EL	4.700MF	63V	cap electrolytic 4.7uF/63V
C0005	329021	KO-KER	0.10MF	100V 20%	cap ceramic 100nF
C0006	329021	KO-KER	0.10MF	100V 20%	cap ceramic 100nF
C0007	329021	KO-KER	0.10MF	100V 20%	cap ceramic 100nF
C0301	343532	KO-EL	100.000MF	25V	cap electrolytic 100uF/25V
C0302	329021	KO-KER	0.10MF	100V 20%	cap ceramic 100nF
C0303	329021	KO-KER	0.10MF	100V 20%	cap ceramic 100nF
C0304	329021	KO-KER	0.10MF	100V 20%	cap ceramic 100nF
C0305	329021	KO-KER	0.10MF	100V 20%	cap ceramic 100nF
C0306	329021	KO-KER	0.10MF	100V 20%	cap ceramic 100nF
C0307	329021	KO-KER	0.10MF	100V 20%	cap ceramic 100nF
C0308	343532	KO-EL	100.000MF	25V	cap electrolytic 100uF/25V
C0309	340521	KO-EL	2.200MF	50V	cap electrolytic 2.2uF/50V
C0310	301530	KO-KER	100.0PF	500V 10%	cap ceramic 100pF
C0311	342923	KO-FOL	0.220MF	63V 5%	cap mylar 220nF
C0312	340988	KO-FOL	0.470MF	63V 5%	cap mylar 470nF
C0313	343532	KO-EL	100.000MF	25V	cap electrolytic 100uF/25V
C0314	301558	KO-KER	33.0PF	100V 2%	cap ceramic 33pF

170104		PSX 2200 120V			
Pos. Nr.	Best. Nr.	Bezeichnung		Description	
Ref. No.	Part No.				
C0315	343532	KO-EL	100.000MF 25V	cap electrolytic 100uF/25V	
C0316	343532	KO-EL	100.000MF 25V	cap electrolytic 100uF/25V	
C0317	327390	KO-FOL	470.000PF 100V 5%	cap mylar 470pF	
C0318	301558	KO-KER	33.0PF 100V 2%	cap ceramic 33pF	
C0319	337237	KO-FOL	0.047MF 100V 5%	cap mylar 47nF	
C0320	342936	KO-FOL	0.150MF 63V 5%	cap mylar 150nF	
C0321	341276	KO-FOL	0.012MF 100V 5%	cap mylar 12nF	
C0322	344109	KO-FOL	0.056MF 63V 5%	cap mylar 56nF	
C0323	341714	KO-SO	0.10MF 275V 20% K	safety cap 100nF/275V	
C0324	341714	KO-SO	0.10MF 275V 20% K	safety cap 100nF/275V	
C0325	335787	KO-KER	15.0PF 100V 2%	cap ceramic 15pF	
C0326	335787	KO-KER	15.0PF 100V 2%	cap ceramic 15pF	
C0327	301474	KO-EL	22.000MF 16V BIP	cap bip electr. 22uF/16V	
C0328	351994	KO-KER	120.0PF 500V 2%	cap ceramic 120pF	
C0329	351994	KO-KER	120.0PF 500V 2%	cap ceramic 120pF	
C0330	301458	KO-EL	2.200MF 63V	cap electrolytic 2.2uF/63V	
C0331	342923	KO-FOL	0.220MF 63V 5%	cap mylar 220nF	
C0332	342923	KO-FOL	0.220MF 63V 5%	cap mylar 220nF	
C0333	335787	KO-KER	15.0PF 100V 2%	cap ceramic 15pF	
C0334	340522	KO-EL	10.000MF 35V	cap electrolytic 10uF/35	
C0335	344105	KO-FOL	0.027MF 100V 5%	cap mylar 27nF	
C0336	329021	KO-KER	0.10MF 100V 20%	cap ceramic 100nF	
C0337	301558	KO-KER	33.0PF 100V 2%	cap ceramic 33pF	
C0501	343532	KO-EL	100.000MF 25V	cap electrolytic 100uF/25V	
C0502	329021	KO-KER	0.10MF 100V 20%	cap ceramic 100nF	
C0503	329021	KO-KER	0.10MF 100V 20%	cap ceramic 100nF	
C0504	329021	KO-KER	0.10MF 100V 20%	cap ceramic 100nF	
C0505	329021	KO-KER	0.10MF 100V 20%	cap ceramic 100nF	
C0506	329021	KO-KER	0.10MF 100V 20%	cap ceramic 100nF	
C0507	329021	KO-KER	0.10MF 100V 20%	cap ceramic 100nF	
C0508	343532	KO-EL	100.000MF 25V	cap electrolytic 100uF/25V	
C0509	340521	KO-EL	2.200MF 50V	cap electrolytic 2.2uF/50V	
C0510	301530	KO-KER	100.0PF 500V 10%	cap ceramic 100pF	
C0511	342923	KO-FOL	0.220MF 63V 5%	cap mylar 220nF	
C0512	340988	KO-FOL	0.470MF 63V 5%	cap mylar 470nF	
C0513	343532	KO-EL	100.000MF 25V	cap electrolytic 100uF/25V	
C0514	301558	KO-KER	33.0PF 100V 2%	cap ceramic 33pF	
C0515	343532	KO-EL	100.000MF 25V	cap electrolytic 100uF/25V	
C0516	343532	KO-EL	100.000MF 25V	cap electrolytic 100uF/25V	
C0517	327390	KO-FOL	470.000PF 100V 5%	cap mylar 470pF	
C0518	301558	KO-KER	33.0PF 100V 2%	cap ceramic 33pF	
C0519	337237	KO-FOL	0.047MF 100V 5%	cap mylar 47nF	
C0520	342936	KO-FOL	0.150MF 63V 5%	cap mylar 150nF	
C0521	341276	KO-FOL	0.012MF 100V 5%	cap mylar 12nF	
C0522	344109	KO-FOL	0.056MF 63V 5%	cap mylar 56nF	
C0523	341714	KO-SO	0.10MF 275V 20% K	safety cap 100nF/275V	
C0524	341714	KO-SO	0.10MF 275V 20% K	safety cap 100nF/275V	
C0525	335787	KO-KER	15.0PF 100V 2%	cap ceramic 15pF	
C0526	335787	KO-KER	15.0PF 100V 2%	cap ceramic 15pF	
C0527	301474	KO-EL	22.000MF 16V BIP	cap bip electr. 22uF/16V	
C0528	351994	KO-KER	120.0PF 500V 2%	cap ceramic 120pF	
C0529	351994	KO-KER	120.0PF 500V 2%	cap ceramic 120pF	

170104		PSX 2200 120V			
Pos. Nr.	Best. Nr.	Bezeichnung		Description	
Ref. No.	Part No.				
C0530	301458	KO-EL	2.200MF 63V	cap electrolytic 2.2uF/63V	
C0531	342923	KO-FOL	0.220MF 63V 5%	cap mylar 220nF	
C0532	342923	KO-FOL	0.220MF 63V 5%	cap mylar 220nF	
C0533	335787	KO-KER	15.0PF 100V 2%	cap ceramic 15pF	
C0534	340522	KO-EL	10.000MF 35V	cap electrolytic 10uF/35	
C0535	344105	KO-FOL	0.027MF 100V 5%	cap mylar 27nF	
C0536	329021	KO-KER	0.10MF 100V 20%	cap ceramic 100nF	
C0537	301558	KO-KER	33.0PF 100V 2%	cap ceramic 33pF	
C0805	329021	KO-KER	0.10MF 100V 20%	cap ceramic 100nF	
C0806	329021	KO-KER	0.10MF 100V 20%	cap ceramic 100nF	
C0807	335935	KO-EL	2200.000MF 35V	cap electrolytic 2200uF/35V	
C0808	335935	KO-EL	2200.000MF 35V	cap electrolytic 2200uF/35V	
C0809	335935	KO-EL	2200.000MF 35V	cap electrolytic 2200uF/35V	
C0810	335935	KO-EL	2200.000MF 35V	cap electrolytic 2200uF/35V	
C0811	301524	KO-KER	47.0PF 500V 10%	cap ceramic 47pF	
C0812	329021	KO-KER	0.10MF 100V 20%	cap ceramic 100nF	
C0813	341920	KO-EL	470.000MF 63V	cap electrolytic 470uF/63V	
C0814	335909	KO-EL	220.000MF 50V	cap electrolytic 220uF/50V	
C0815	335909	KO-EL	220.000MF 50V	cap electrolytic 220uF/50V	
C0816	343530	KO-EL	47.000MF 50V	cap electrolytic 47uF/50V	
C0817	329021	KO-KER	0.10MF 100V 20%	cap ceramic 100nF	
C0818	335935	KO-EL	2200.000MF 35V	cap electrolytic 2200uF/35V	
C0819	329021	KO-KER	0.10MF 100V 20%	cap ceramic 100nF	
C0820	340522	KO-EL	10.000MF 35V	cap electrolytic 10uF/35	
C0824	307445	KO-EL	10.000MF 35V	cap electrolytic 10uF/35V	
C0825	342923	KO-FOL	0.220MF 63V 5%	cap mylar 220nF	
C0826	329021	KO-KER	0.10MF 100V 20%	cap ceramic 100nF	
C0830	343532	KO-EL	100.000MF 25V	cap electrolytic 100uF/25V	
C0831	343532	KO-EL	100.000MF 25V	cap electrolytic 100uF/25V	
C0832	329021	KO-KER	0.10MF 100V 20%	cap ceramic 100nF	
C0835	354564	KO-EL	6800.000MF 100V 20%	cap electr. 6800uF/100V	
C0836	354564	KO-EL	6800.000MF 100V 20%	cap electr. 6800uF/100V	
C0837	354564	KO-EL	6800.000MF 100V 20%	cap electr. 6800uF/100V	
C0838	354564	KO-EL	6800.000MF 100V 20%	cap electr. 6800uF/100V	
C0842	329021	KO-KER	0.10MF 100V 20%	cap ceramic 100nF	
C0847	301524	KO-KER	47.0PF 500V 10%	cap ceramic 47pF	
C0848	341920	KO-EL	470.000MF 63V	cap electrolytic 470uF/63V	
C0849	354305	KO-EL	68.000MF 50V	cap electrolytic 68uF/50V	
C0850	354305	KO-EL	68.000MF 50V	cap electrolytic 68uF/50V	
C0851	343530	KO-EL	47.000MF 50V	cap electrolytic 47uF/50V	
C0852	343534	KO-EL	1000.000MF 16V	cap electrolytic 1000uF/16V	
C0853	343534	KO-EL	1000.000MF 16V	cap electrolytic 1000uF/16V	
C0854	329021	KO-KER	0.10MF 100V 20%	cap ceramic 100nF	
C0855	335935	KO-EL	2200.000MF 35V	cap electrolytic 2200uF/35V	
C0856	335935	KO-EL	2200.000MF 35V	cap electrolytic 2200uF/35V	
C0857	329021	KO-KER	0.10MF 100V 20%	cap ceramic 100nF	
C0858	327815	KO-EL	22.000MF 25V	cap electrolytic 22uF/25V	
C0859	327815	KO-EL	22.000MF 25V	cap electrolytic 22uF/25V	
D0001	301254	DIODE 1N 4148	AXIAL	diode 1N 4148	
D0002	301254	DIODE 1N 4148	AXIAL	diode 1N 4148	
D0003	301254	DIODE 1N 4148	AXIAL	diode 1N 4148	
D0301	309450	DIODZ BZX 55C 15V	0.50W	diode zener 15V	

170104		PSX 2200 120V			
Pos. Nr.	Best. Nr.	Bezeichnung		Description	
Ref. No.	Part No.				
D0302	309450	DIODZ BZX 55C	15V 0.50W	diode zener 15V	
D0303	301254	DIODE 1N 4148	AXIAL	diode 1N 4148	
D0304	301254	DIODE 1N 4148	AXIAL	diode 1N 4148	
D0305	301254	DIODE 1N 4148	AXIAL	diode 1N 4148	
D0306	301254	DIODE 1N 4148	AXIAL	diode 1N 4148	
D0307	301254	DIODE 1N 4148	AXIAL	diode 1N 4148	
D0309	329511	DIODZ BZX 55C	2V4 0.50W	diode zener 2V4	
D0310	301254	DIODE 1N 4148	AXIAL	diode 1N 4148	
D0311	301254	DIODE 1N 4148	AXIAL	diode 1N 4148	
D0312	301254	DIODE 1N 4148	AXIAL	diode 1N 4148	
D0313	307916	DIODZ BZX 55C	7V5 0.50W	diode zener 7V5	
D0314	307916	DIODZ BZX 55C	7V5 0.50W	diode zener 7V5	
D0315	301254	DIODE 1N 4148	AXIAL	diode 1N 4148	
D0316	304360	DIODE 1N 4007	GEGURTET	diode 1N 4002	
D0317	304360	DIODE 1N 4007	GEGURTET	diode 1N 4002	
D0318	301254	DIODE 1N 4148	AXIAL	diode 1N 4148	
D0319	301254	DIODE 1N 4148	AXIAL	diode 1N 4148	
D0501	309450	DIODZ BZX 55C	15V 0.50W	diode zener 15V	
D0502	309450	DIODZ BZX 55C	15V 0.50W	diode zener 15V	
D0503	301254	DIODE 1N 4148	AXIAL	diode 1N 4148	
D0504	301254	DIODE 1N 4148	AXIAL	diode 1N 4148	
D0505	301254	DIODE 1N 4148	AXIAL	diode 1N 4148	
D0506	301254	DIODE 1N 4148	AXIAL	diode 1N 4148	
D0507	301254	DIODE 1N 4148	AXIAL	diode 1N 4148	
D0509	329511	DIODZ BZX 55C	2V4 0.50W	diode zener 2V4	
D0510	301254	DIODE 1N 4148	AXIAL	diode 1N 4148	
D0511	301254	DIODE 1N 4148	AXIAL	diode 1N 4148	
D0512	301254	DIODE 1N 4148	AXIAL	diode 1N 4148	
D0513	307916	DIODZ BZX 55C	7V5 0.50W	diode zener 7V5	
D0514	307916	DIODZ BZX 55C	7V5 0.50W	diode zener 7V5	
D0515	301254	DIODE 1N 4148	AXIAL	diode 1N 4148	
D0516	304360	DIODE 1N 4007	GEGURTET	diode 1N 4002	
D0517	304360	DIODE 1N 4007	GEGURTET	diode 1N 4002	
D0518	301254	DIODE 1N 4148	AXIAL	diode 1N 4148	
D0519	301254	DIODE 1N 4148	AXIAL	diode 1N 4148	
D0520	304360	DIODE 1N 4007	GEGURTET	diode 1N 4002	
D0800	301254	DIODE 1N 4148	AXIAL	diode 1N 4148	
D0801	301254	DIODE 1N 4148	AXIAL	diode 1N 4148	
D0804	304360	DIODE 1N 4007	GEGURTET	diode 1N 4002	
D0805	304360	DIODE 1N 4007	GEGURTET	diode 1N 4002	
D0806	304360	DIODE 1N 4007	GEGURTET	diode 1N 4002	
D0807	304360	DIODE 1N 4007	GEGURTET	diode 1N 4002	
D0808	308455	DIODE 1N 5401 OD. 1N 5402		diode 1N 5401	
D0809	308455	DIODE 1N 5401 OD. 1N 5402		diode 1N 5401	
D0810	308455	DIODE 1N 5401 OD. 1N 5402		diode 1N 5401	
D0811	308455	DIODE 1N 5401 OD. 1N 5402		diode 1N 5401	
D0812	304992	DIODZ BZX 55C	6V8 0.50W	diode zener 6V8	
D0815	304992	DIODZ BZX 55C	6V8 0.50W	diode zener 6V8	
D0816	304360	DIODE 1N 4007	GEGURTET	diode 1N 4002	
D0817	304360	DIODE 1N 4007	GEGURTET	diode 1N 4002	
D0818	304360	DIODE 1N 4007	GEGURTET	diode 1N 4002	
D0819	304360	DIODE 1N 4007	GEGURTET	diode 1N 4002	

170104		PSX 2200 120V		
Pos. Nr.	Best. Nr.			
Ref. No.	Part No.	Bezeichnung		Description
D0820	304360	DIODE 1N 4007	GEGURTET	diode 1N 4002
D0822	301254	DIODE 1N 4148	AXIAL	diode 1N 4148
D0823	301254	DIODE 1N 4148	AXIAL	diode 1N 4148
D0827	301254	DIODE 1N 4148	AXIAL	diode 1N 4148
D0828	301254	DIODE 1N 4148	AXIAL	diode 1N 4148
D0829	301254	DIODE 1N 4148	AXIAL	diode 1N 4148
D0831	301254	DIODE 1N 4148	AXIAL	diode 1N 4148
D0833	304360	DIODE 1N 4007	GEGURTET	diode 1N 4002
D0834	304360	DIODE 1N 4007	GEGURTET	diode 1N 4002
D0836	304360	DIODE 1N 4007	GEGURTET	diode 1N 4002
D0837	304360	DIODE 1N 4007	GEGURTET	diode 1N 4002
E0301	354859	RELAIS 793-P-1C-S-24V DC		relay 24V
E0501	354859	RELAIS 793-P-1C-S-24V DC		relay 24V
F0800	340559	SICHER T 4 A 250V		fuse 4A/250V slow blow
F0801	340559	SICHER T 4 A 250V		fuse 4A/250V slow blow
H0300	343457	DICKS-NETZW. 8PIN 2%		res.network 8x10k
H0301	343457	DICKS-NETZW. 8PIN 2%		res.network 8x10k
H0500	343457	DICKS-NETZW. 8PIN 2%		res.network 8x10k
H0501	343457	DICKS-NETZW. 8PIN 2%		res.network 8x10k
I0300	327197	IC NE 5532 P 2FACH OP		IC NE 5532 N
I0301	354919	IC OP 97 FP		IC OP 97
I0302	327197	IC NE 5532 P 2FACH OP		IC NE 5532 N
I0303	307421	IC CA 3080 E OTA		IC CA 3080 E
I0304	331340	IC TL 072 CP 2FACH OP		IC TL 072 CP
I0305	327197	IC NE 5532 P 2FACH OP		IC NE 5532 N
I0500	327197	IC NE 5532 P 2FACH OP		IC NE 5532 N
I0501	354919	IC OP 97 FP		IC OP 97
I0502	327197	IC NE 5532 P 2FACH OP		IC NE 5532 N
I0503	307421	IC CA 3080 E OTA		IC CA 3080 E
I0504	331340	IC TL 072 CP 2FACH OP		IC TL 072 CP
I0505	327197	IC NE 5532 P 2FACH OP		IC NE 5532 N
I0800	309719	IC SPNG.REG. LM 340T05		IC MC 7805 C
I0801	332985	IC TL 074 CN		IC TL 074 CN
I0802	354929	IC SPNG.REG. LM 337 T		IC LM 337 voltage regulator
I0803	354199	IC SPNG.REG. LM 317 T		IC LM 317 voltage regulator
L0301	348592	FILTERSP. 2.50UH/0.004OHM		coil 2.5uH
L0501	348592	FILTERSP. 2.50UH/0.004OHM		coil 2.5uH
00010	338869	TRANS MJE 350		transistor MJE 350
Q0301	335763	TRANS 2N 3904		transistor 2N 3904
Q0302	348422	TRANS MPSA 42		transistor MPSA 42
Q0303	348422	TRANS MPSA 42		transistor MPSA 42
Q0304	335763	TRANS 2N 3904		transistor 2N 3904
Q0305	335763	TRANS 2N 3904		transistor 2N 3904
Q0306	335763	TRANS 2N 3904		transistor 2N 3904
Q0307	348421	TRANS 2N 3906		transistor 2N 3906
Q0308	348421	TRANS 2N 3906		transistor 2N 3906
Q0309	348421	TRANS 2N 3906		transistor 2N 3906
Q0310	348423	TRANS MPSA 92		transistor MPSA 92
Q0311	348423	TRANS MPSA 92		transistor MPSA 92
00010	338868	TRANS MJE 340		transistor MJE 340
Q0313	348421	TRANS 2N 3906		transistor 2N 3906
Q0314	335763	TRANS 2N 3904		transistor 2N 3904

170104		PSX 2200 120V	
Pos. Nr.	Best. Nr.		
Ref. No.	Part No.	Bezeichnung	Description
Q0315	348421	TRANS 2N 3906	transistor 2N 3906
Q0316	330264	TRANS J 111	transistor J 111 A
Q0317	351981	TRANS MJL 3281 A	transistor MJL 3281 A
Q0318	331657	TRANS MJ 15022	transistor MJ 15022
Q0319	331657	TRANS MJ 15022	transistor MJ 15022
Q0320	331657	TRANS MJ 15022	transistor MJ 15022
Q0321	331657	TRANS MJ 15022	transistor MJ 15022
Q0322	331658	TRANS MJ 15023	transistor MJ 15023
Q0323	331658	TRANS MJ 15023	transistor MJ 15023
Q0324	331658	TRANS MJ 15023	transistor MJ 15023
Q0325	331658	TRANS MJ 15023	transistor MJ 15023
Q0326	351982	TRANS MJL 1302 A	transistor MJL 1302 A
Q0327	348409	TRANS 2SC 4793	transistor 2SC 4793
Q0328	348421	TRANS 2N 3906	transistor 2N 3906
Q0329	335763	TRANS 2N 3904	transistor 2N 3904
Q0330	348421	TRANS 2N 3906	transistor 2N 3906
Q0331	335763	TRANS 2N 3904	transistor 2N 3904
Q0332	348422	TRANS MPSA 42	transistor MPSA 42
Q0333	348423	TRANS MPSA 92	transistor MPSA 92
Q0334	348423	TRANS MPSA 92	transistor MPSA 92
Q0335	348423	TRANS MPSA 92	transistor MPSA 92
Q0336	348422	TRANS MPSA 42	transistor MPSA 42
Q0337	348423	TRANS MPSA 92	transistor MPSA 92
Q0338	307911	TRANS BF 393	transistor BF 391
Q0339	307911	TRANS BF 393	transistor BF 391
Q0340	348421	TRANS 2N 3906	transistor 2N 3906
Q0341	335763	TRANS 2N 3904	transistor 2N 3904
Q0342	348421	TRANS 2N 3906	transistor 2N 3906
Q0343	331657	TRANS MJ 15022	transistor MJ 15022
Q0344	331658	TRANS MJ 15023	transistor MJ 15023
00010	338869	TRANS MJE 350	transistor MJE 350
Q0501	335763	TRANS 2N 3904	transistor 2N 3904
Q0502	348422	TRANS MPSA 42	transistor MPSA 42
Q0503	348422	TRANS MPSA 42	transistor MPSA 42
Q0504	335763	TRANS 2N 3904	transistor 2N 3904
Q0505	335763	TRANS 2N 3904	transistor 2N 3904
Q0506	335763	TRANS 2N 3904	transistor 2N 3904
Q0507	348421	TRANS 2N 3906	transistor 2N 3906
Q0508	348421	TRANS 2N 3906	transistor 2N 3906
Q0509	348421	TRANS 2N 3906	transistor 2N 3906
Q0510	348423	TRANS MPSA 92	transistor MPSA 92
Q0511	348423	TRANS MPSA 92	transistor MPSA 92
00010	338868	TRANS MJE 340	transistor MJE 340
Q0513	348421	TRANS 2N 3906	transistor 2N 3906
Q0514	335763	TRANS 2N 3904	transistor 2N 3904
Q0515	348421	TRANS 2N 3906	transistor 2N 3906
Q0516	330264	TRANS J 111	transistor J 111 A
Q0517	351981	TRANS MJL 3281 A	transistor MJL 3281 A
Q0518	331657	TRANS MJ 15022	transistor MJ 15022
Q0519	331657	TRANS MJ 15022	transistor MJ 15022
Q0520	331657	TRANS MJ 15022	transistor MJ 15022
Q0521	331657	TRANS MJ 15022	transistor MJ 15022

170104		PSX 2200 120V	
Pos. Nr.	Best. Nr.		
Ref. No.	Part No.	Bezeichnung	Description
Q0522	331658	TRANS MJ 15023	transistor MJ 15023
Q0523	331658	TRANS MJ 15023	transistor MJ 15023
Q0524	331658	TRANS MJ 15023	transistor MJ 15023
Q0525	331658	TRANS MJ 15023	transistor MJ 15023
Q0526	351982	TRANS MJL 1302 A	transistor MJL 1302 A
Q0527	348409	TRANS 2SC 4793	transistor 2SC 4793
Q0528	348421	TRANS 2N 3906	transistor 2N 3906
Q0529	335763	TRANS 2N 3904	transistor 2N 3904
Q0530	348421	TRANS 2N 3906	transistor 2N 3906
Q0531	335763	TRANS 2N 3904	transistor 2N 3904
Q0532	348422	TRANS MPSA 42	transistor MPSA 42
Q0533	348423	TRANS MPSA 92	transistor MPSA 92
Q0534	348423	TRANS MPSA 92	transistor MPSA 92
Q0535	348423	TRANS MPSA 92	transistor MPSA 92
Q0536	348422	TRANS MPSA 42	transistor MPSA 42
Q0537	348423	TRANS MPSA 92	transistor MPSA 92
Q0538	307911	TRANS BF 393	transistor BF 391
Q0539	307911	TRANS BF 393	transistor BF 391
Q0540	348421	TRANS 2N 3906	transistor 2N 3906
Q0541	335763	TRANS 2N 3904	transistor 2N 3904
Q0542	348421	TRANS 2N 3906	transistor 2N 3906
Q0543	331657	TRANS MJ 15022	transistor MJ 15022
Q0544	331658	TRANS MJ 15023	transistor MJ 15023
00010	301233	TRANS BD 246 B	transistor BD 246 B
00010	301236	TRANS BD 241 B	transistor BD 241 B
Q0802	348422	TRANS MPSA 42	transistor MPSA 42
Q0804	307150	TRANS BC 337-25 TO 92	transistor BC 337-25
00010	301234	TRANS BD 245 B	transistor BD 245 B
Q0806	301236	TRANS BD 241 B	transistor BD 241 B
Q0807	348422	TRANS MPSA 42	transistor MPSA 42
Q0808	307150	TRANS BC 337-25 TO 92	transistor BC 337-25
Q0811	348591	TRANS BC 618 DARL. TO 92	transistor BC 618
Q0812	306928	TRANS BC 560 C	transistor BC 560 C
Q0813	306928	TRANS BC 560 C	transistor BC 560 C
Q0814	306928	TRANS BC 560 C	transistor BC 560 C
Q0815	306928	TRANS BC 560 C	transistor BC 560 C
Q0816	306928	TRANS BC 560 C	transistor BC 560 C
Q0817	307150	TRANS BC 337-25 TO 92	transistor BC 337-25
Q0821	301184	TRANS BC 550 C	transistor BC 550 B
Q0825	307150	TRANS BC 337-25 TO 92	transistor BC 337-25
Q0826	307150	TRANS BC 337-25 TO 92	transistor BC 337-25
Q0827	307150	TRANS BC 337-25 TO 92	transistor BC 337-25
R0001	331969	WI-DR 0.56 OHM 5.00W 5%	resistor 0.56 Ohm 5watt
R0002	331969	WI-DR 0.56 OHM 5.00W 5%	resistor 0.56 Ohm 5watt
R0370	348456	WI-DR 2X 0.22 OHM 5.00W 5%	resistor 2x0.22 Ohm 5watt
R0371	348456	WI-DR 2X 0.22 OHM 5.00W 5%	resistor 2x0.22 Ohm 5watt
R0372	348456	WI-DR 2X 0.22 OHM 5.00W 5%	resistor 2x0.22 Ohm 5watt
R0373	348456	WI-DR 2X 0.22 OHM 5.00W 5%	resistor 2x0.22 Ohm 5watt
R0385	341713	WI-DR 4.70 OHM 4.00W 5%	resistor 4.70 Ohm 4watt
R0386	341713	WI-DR 4.70 OHM 4.00W 5%	resistor 4.70 Ohm 4watt
R0387	341713	WI-DR 4.70 OHM 4.00W 5%	resistor 4.70 Ohm 4watt
R0407	348593	WI-SO NTC K 164/2.2K	safety component NTC

170104		PSX 2200 120V	
Pos. Nr.	Best. Nr.		
Ref. No.	Part No.	Bezeichnung	Description

R0412	348593	WI-SO NTC K 164/2.2K	safety component NTC
R0448	348456	WI-DR 2X 0.22 OHM 5.00W 5%	resistor 2x0.22 Ohm 5watt
R0570	348456	WI-DR 2X 0.22 OHM 5.00W 5%	resistor 2x0.22 Ohm 5watt
R0571	348456	WI-DR 2X 0.22 OHM 5.00W 5%	resistor 2x0.22 Ohm 5watt
R0572	348456	WI-DR 2X 0.22 OHM 5.00W 5%	resistor 2x0.22 Ohm 5watt
R0573	348456	WI-DR 2X 0.22 OHM 5.00W 5%	resistor 2x0.22 Ohm 5watt
R0585	341713	WI-DR 4.70 OHM 4.00W 5%	resistor 4.70 Ohm 4watt
R0586	341713	WI-DR 4.70 OHM 4.00W 5%	resistor 4.70 Ohm 4watt
R0587	341713	WI-DR 4.70 OHM 4.00W 5%	resistor 4.70 Ohm 4watt
R0607	348593	WI-SO NTC K 164/2.2K	safety component NTC
R0612	348593	WI-SO NTC K 164/2.2K	safety component NTC
R0648	348456	WI-DR 2X 0.22 OHM 5.00W 5%	resistor 2x0.22 Ohm 5watt
R0804	302022	WI-SCH 10.00 OHM 2.00W 5%	resistor 10 Ohm 2watt
R0874	348490	WI-SO NTC K 164/100K/J	safety component NTC
R0875	329215	WI-SI 10.00 OHM 0.30W 5%	safety resistor 10 Ohm
R0877	302022	WI-SCH 10.00 OHM 2.00W 5%	resistor 10 Ohm 2watt
R0878	329215	WI-SI 10.00 OHM 0.30W 5%	safety resistor 10 Ohm
R0879	302022	WI-SCH 10.00 OHM 2.00W 5%	resistor 10 Ohm 2watt
R0880	302022	WI-SCH 10.00 OHM 2.00W 5%	resistor 10 Ohm 2watt
VR300	348486	WI-TRI 47.00 KOHM LIN	pot trim 47k Ohm lin
VR301	348674	WI-TRI 250.00 OHM LIN	pot trim 220 Ohm lin
VR500	348486	WI-TRI 47.00 KOHM LIN	pot trim 47k Ohm lin
VR501	348674	WI-TRI 250.00 OHM LIN	pot trim 220 Ohm lin
00060	303576	SICHER-HALTE-FEDER	fuse clip

852758		PCB-B.PM2200 120V	US	pcb assy mains input
---------------	--	--------------------------	-----------	-----------------------------

CN15X	341937	MESSERLST. 4POL	connector male 4-pin
C0900	341714	KO-SO 0.10MF 275V 20% K	safety cap 100nF/275V
D0900	304360	DIODE 1N 4007 GEGURTET	diode 1N 4002
E0002	354859	RELAIS 793-P-1C-S-24V DC	relay 24V
F0900	348855	SICHER-HALTE-FEDER 122090.	fuse clip
JS001	338835	STECKER-KALTGERÄTE	connector male mains
R0900	348550	WI-SO NTC 10 OHM K	safety resistor 10 Ohm
S0900	349114	SCHALTER-NETZ	mains switch
00010	348853	SICHER T 20 A 250V	fuse 20A slow blow
00030	329022	FL.STECKER 6.3/0.8	connector 6.3mm faston
00035	330269	FL.STECKER 6.3/0.8	connector 6.3mm faston

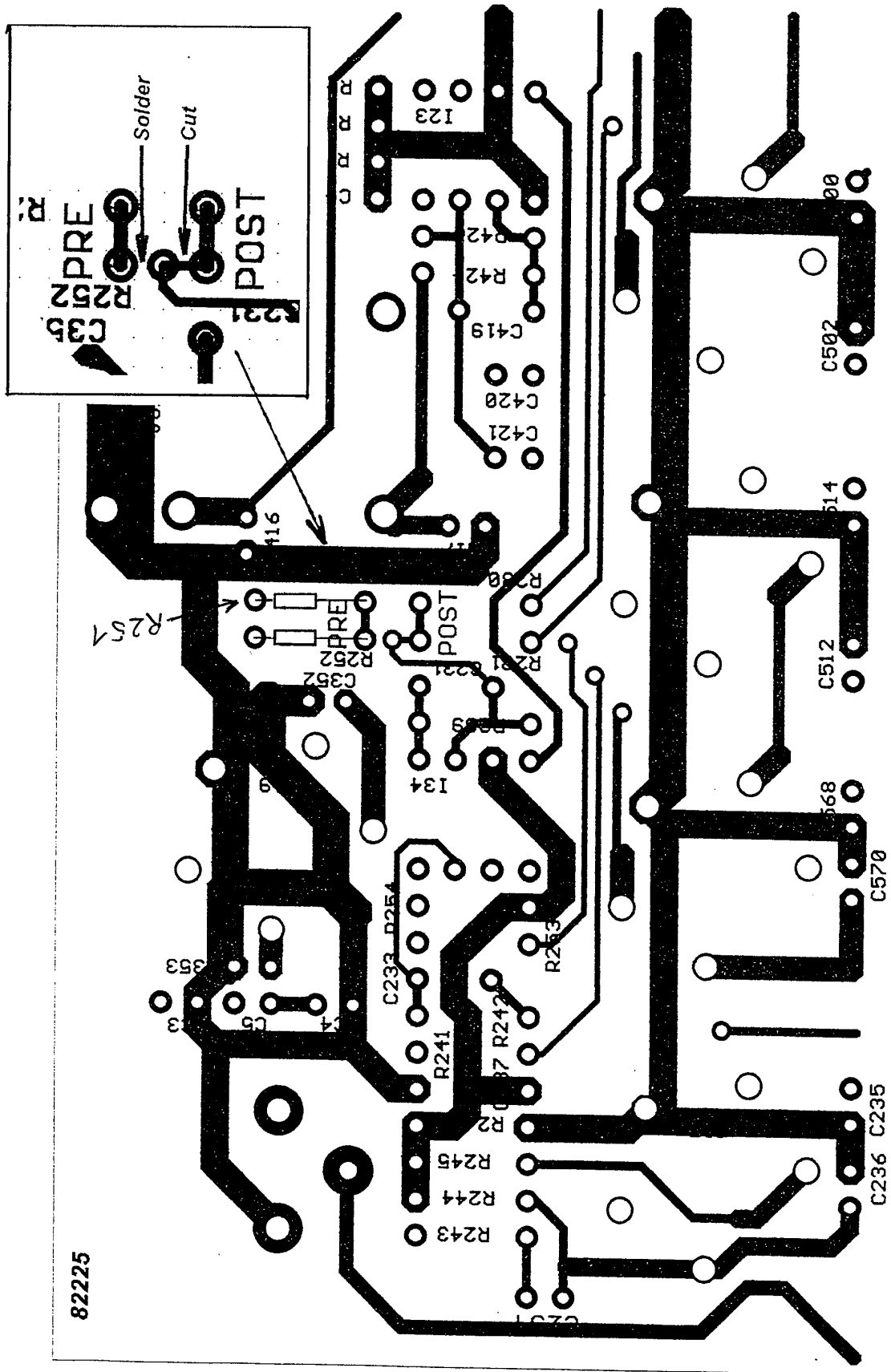
804388		PCB--*PM 1000	N 4	pcb assy effects
---------------	--	----------------------	------------	-------------------------

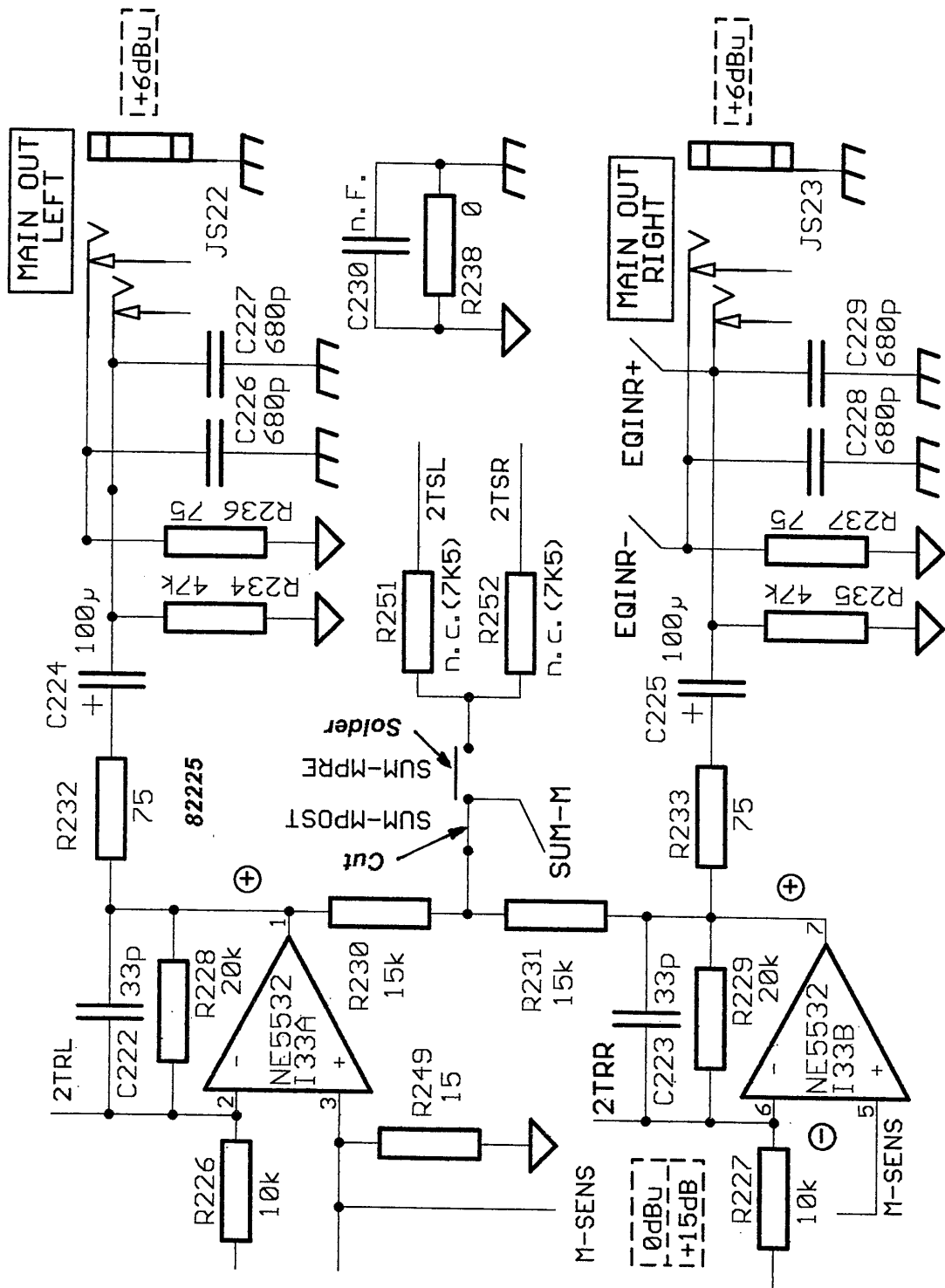
please see PSX 1000

Product: PSX 1000/1600/2200
Title: Alteration of signal routing: Mono-Output-Signal from post-master-fader to pre-master-fader

To do this alteration, there are to fit 2 resistors and there are to cut one track and to solder two solder pads

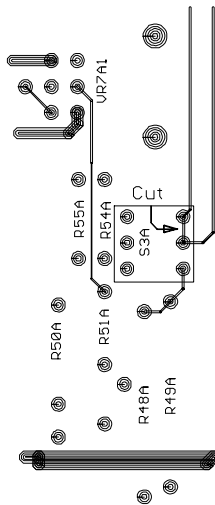
1. Disconnect the mains voltage
2. Disassemble the mixing console from the base chassis (= power amp & power supply)
3. There is no need to remove the pc-boards from the front panel. The alteration can made from the back side of the pc-board.
4. Check the presence of the two resistors R252 and R251 (7.5 kOhm). Attached you will find a small spot of the drawing of the tracks on the back side of the master pcb 82225. There we have marked the position of these two resistors. The first production lots of these power mixers are factory-fitted with these resistors. Units with serial numbers higher than 13521 (PM1000) , 11326 (PM1600) and 10001 (PM2200) are not fitted with these resistors. For these units you have to fit two resistors from the back side of the pcb.
5. Now you have to re-route the signal path. There are three solder pads in one row. These three pads you have to reconnect. Please cut the marked track and make a connection between the two marked solder pads. For cutting use a sharp knife or a small milling cutter.
6. Re-asseble the unit.



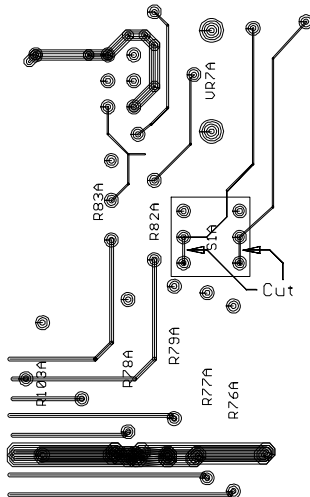


Product: PSX 1000/1600/2200**Title:****Alteration of the PFL-function to a Mute-function**

To do this alteration you have to cut one pcb track at every mono input channel at the PFL-switch (two tracks at every stereo input channel)



1. Disconnect the mains voltage
2. Disassemble the mixing console from the base chassis (= power amp & power supply)
3. There is no need to remove the pc-boards from the front panel. The alteration can be made from the back side of the pc-boards.
4. Left hand pictures shows the pc-tracks around the PFL-switches. Upper picture is the mono input channel and lower picture is the stereo input channel. Please cut the marked tracks.
5. Re-assemble the unit.



MEMO