

REVISIONS			
REV	DESCRIPTION	DATE	APPROVED
1	PROTOTYPE RELEASE		
A	RELEASED PER EDR 42-531	12-21-94	AKS
B	REVISED PER ECO 3058	2-16-95	AKJ

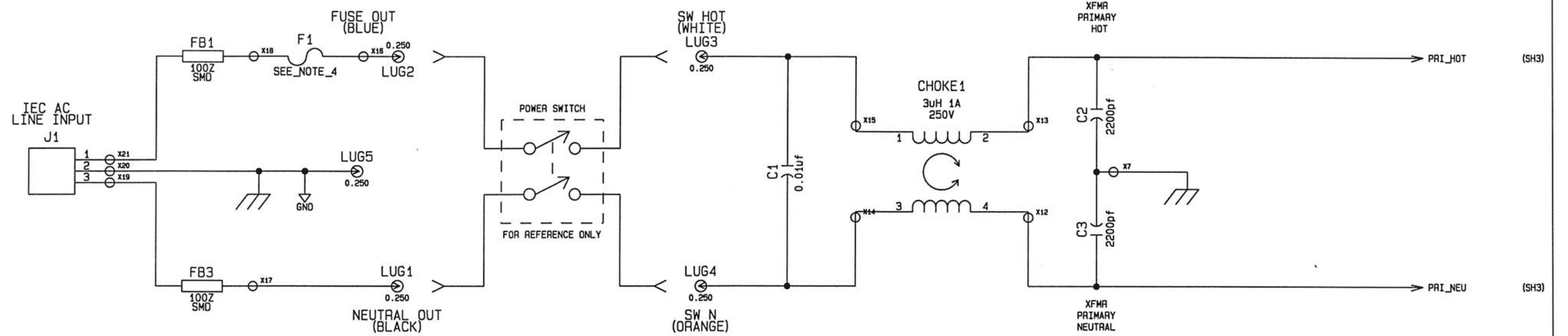
SHT 1 COVER SHEET
SHT 2 LINE FILTER
SHT 3 TRANSFORMER, DC RECTIFIED
SHT 4 DC REGULATED

7. FOR 100V/115V UNITS INSTALL JUMPERS R1, R2
REMOVE JUMPER R3
FOR 230V/240V UNITS INSTALL JUMPER R3
REMOVE JUMPERS R1, R2
6. LUG1, LUG3 AND LUG4 ARE 0.250 QUICK DISCONNECT LUGS.
5. LUG2 IS A 0.187 QUICK DISCONNECT LUG.
4. ALL FUSES ARE 250V, 5 X 20MM.
FOR IEC ASSY: F1 = T1.0A
F2, F3 = F2.0A
F4, F5 = F1.6A
FOR UL ASSY: F1 = 1.0A. SLOW BLOW
F2, F3 = F2.0A
F4, F5 = F1.6A
3. ALL 0.1UF BYPASS CAPACITORS ARE 50V +80/-20% Z5U.
2. ALL CAPACITOR VALUES ARE IN MICROFARADS, 16V MINIMUM.
1. ALL RESISTOR VALUES ARE IN OHMS, 1/10W 5%.

NOTES - UNLESS SPECIFIED OTHERWISE:

COVER SHEET

ENSONIQ Corp 155 GREAT VALLEY PKWY, MALVERN PA 19355					
APPROVALS		DATE		PCB SCHEMATIC POWER SUPPLY DP-4+	
DWN BY: AKS		08-20-94			
CHKD BY:					
APPD BY:		SIZE	DWG. NO.	REV	
		B	4010025201	B	
USED ON: DP-4 PRO		SCALE	—	SHEET 1 OF 4	



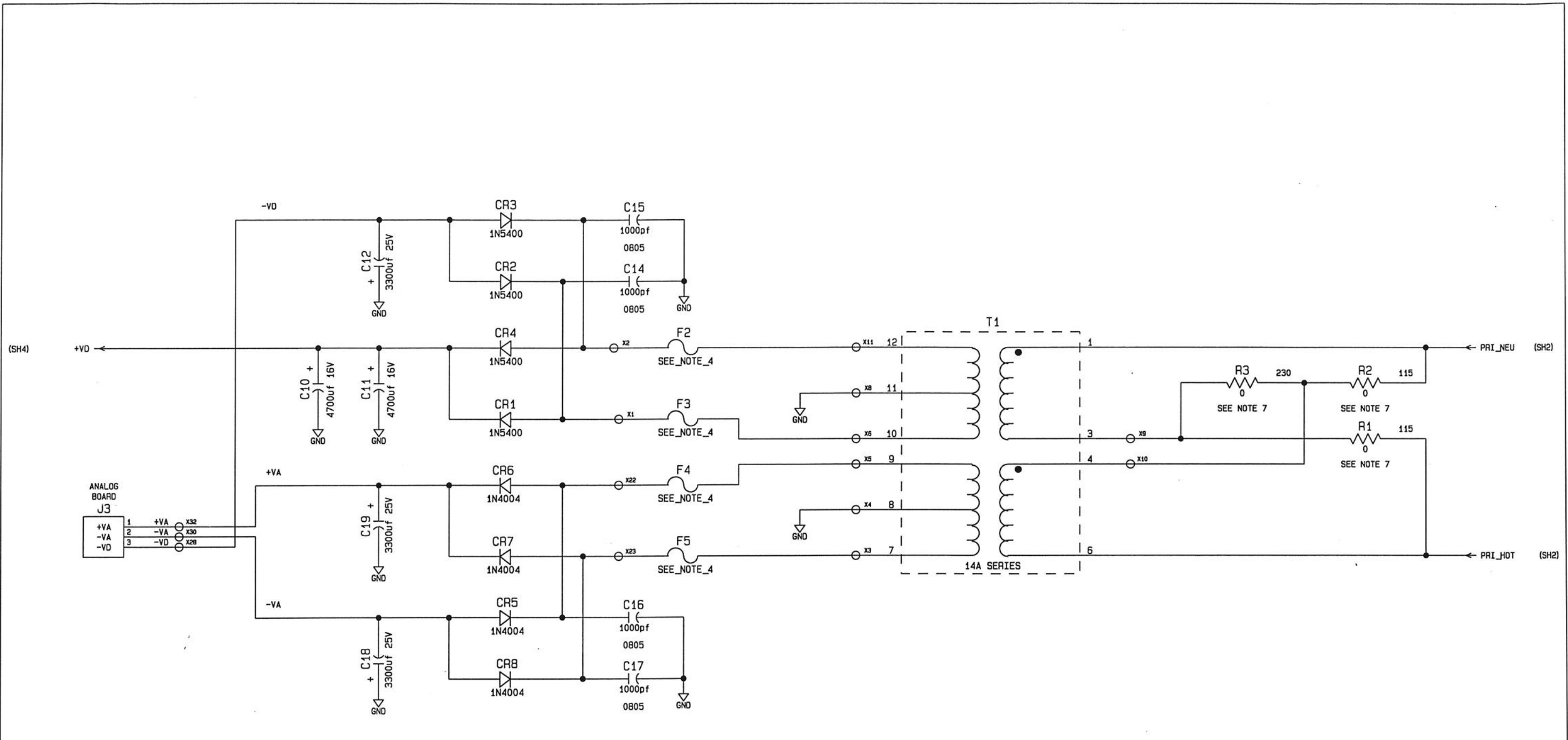
PRIMARY

LINE FILTER

ENSONIQ Corp

PCB SCHEMATIC
POWER SUPPLY
DP-4+

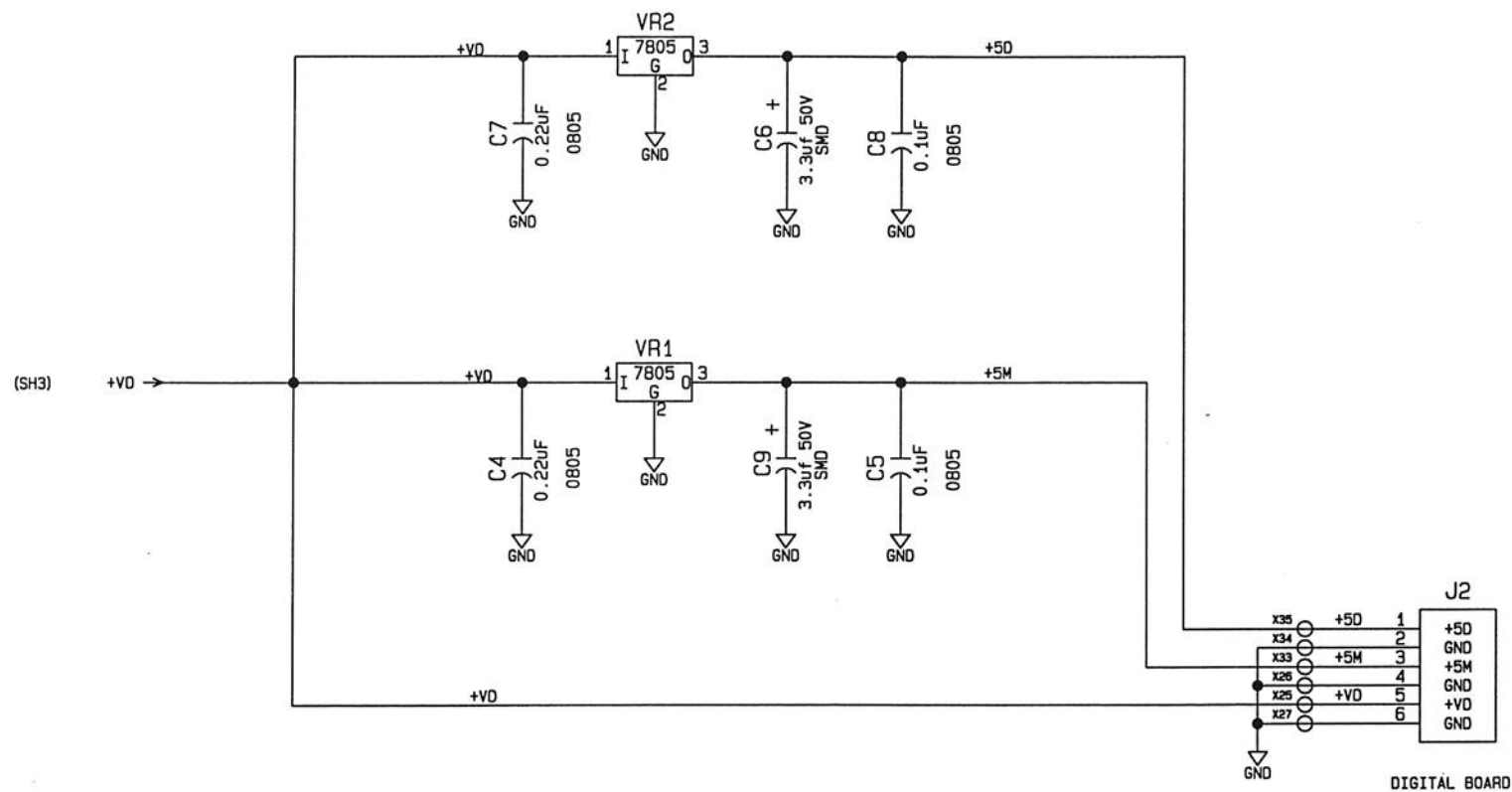
SIZE	DWG. NO.	REV	SHEET	OF
B	4010025201	B	2	4



SECONDARY

TRANSFORMER, DC RECTIFIED

ENSONIQ Corp				
PCB SCHEMATIC POWER SUPPLY DP-4+				
SIZE	DWG. NO.	REV	SHEET	OF
B	4010025201	B	3	4



SECONDARY

DC REGULATED

ENSONIQ Corp

PCB SCHEMATIC
POWER SUPPLY
DP-4+

SIZE	DWG. NO.	REV	SHEET	OF
B	4010025201	B	4	4