



Firefly 30DSP

Outrageous value in a feature laden combo. 30W, 10" Speaker, oversized cab for projection, radiused corners, cafe cut front baffle, headphone out, aux in for CD/MP3 player plus 16 selections of delay, chorus and flange matched to a separate digital reverb make the Firefly a real amp at a first amp price.

FEATURES/BENEFITS

- Separate 3 band EQ Per Channel
- 16 DSP FX Plus DSP Reverb
- 10" Custom Speaker
- 30W, heavy-duty transformer
- True Independent Tone Control
- Flexible, Easy and Intuitive
- Full Tone
- More Power & Headroom

Firefly 30DSP

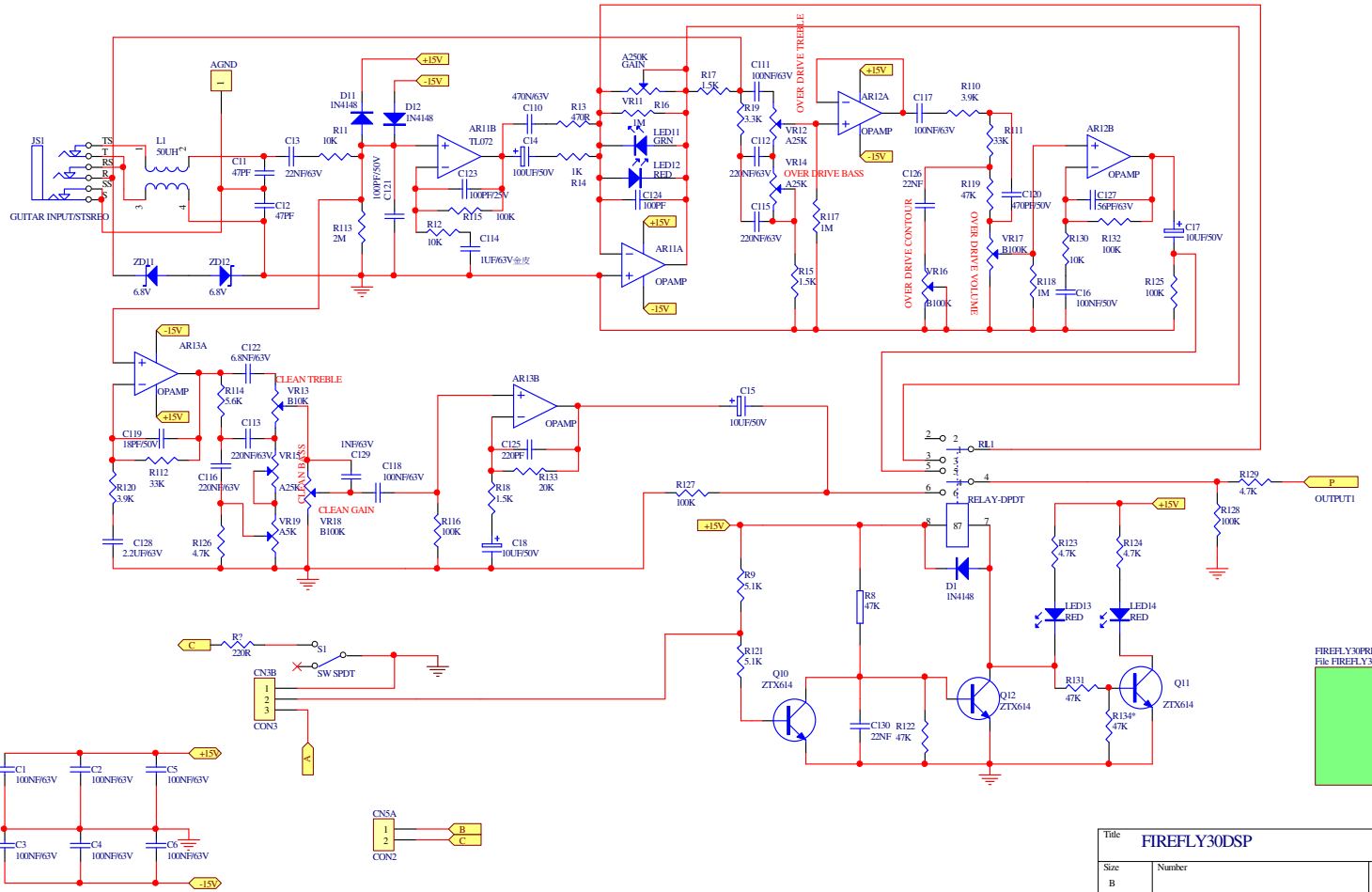
Crate GLX30

Estimated Street Price	\$199.99	\$239.99
Power	30W RMS	30W RMS
Speaker	10"	10"
DSP/FX	X	X
Separate DSP Reverb	X	NO
Headphone Out	X	X
Channels (Footswitchable)	2	2
Built In Tuner	No	X
EQ Ch 1	3 Band	3 Band
EQ Ch 2	3 Band	Shared
CD/Aux Input	X	X
CD/Aux Input Level Control	X	NO
18 Gauge, Folded Steel Chassis	X	NO

MAIN SPECIFICATIONS

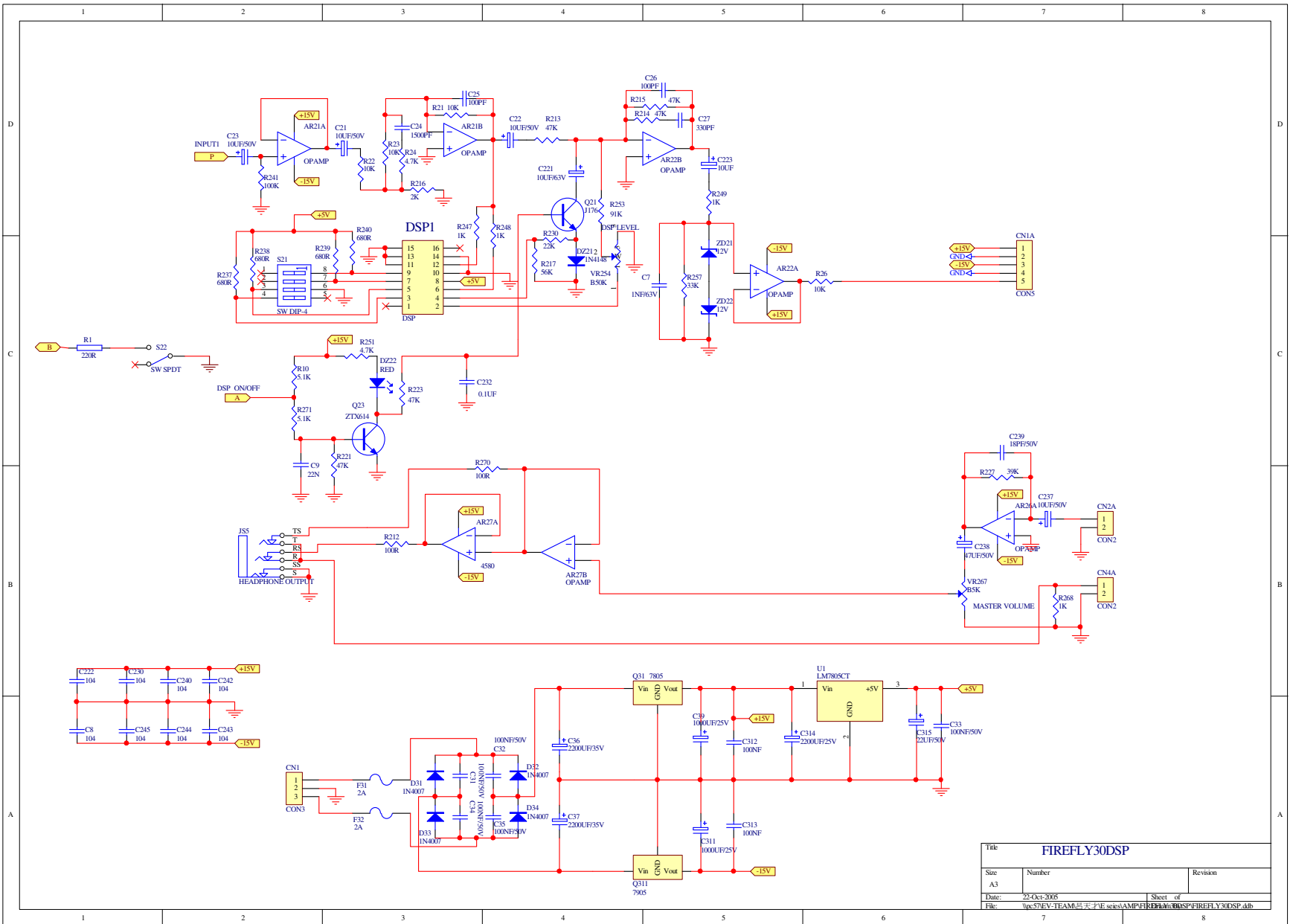
Power: 30W
 Type: Solid State
 Class: NA
 Rectifier: 3 Bands per Ch
 EQ: 3 Bands per Ch
 Preamp: E-VALVE
 Speaker Config: 1 by 10"
 Speaker Type: Epiphone
 Effects 1 16 DSP
 Effects 2 Digital Reverb
 Channels 2

Inputs: Guitar, Aux In
 Outputs (2) 8 Ohm Out, Headphone
 SKU: USA EPA-DRF30DSP
 EU/CAN EPA-IDRF30DSP
 UK EPA-UDRF30DSP
 JAPAN EPA-YDRF30DSP



FIREFLY 30PREB
File: FIREFLY 30PREB

Title FIREFLY 30DSP		
Size B	Number	Revision
Date: 22-Oct-2015	Sheet of	
File: \\pc57\EV-TEAM\陆天丁\EE seies\AMP\FIREFLY 30PREB\FIREFLY 30DSP.dbr		



Title		
FIREFLY30DSP		
Size	Number	Revision
A3		
Date:	22-Oct-2005	Sheet of
File:	Wcs57EV-TEAM品名方式E.scs&FIREFLY30DSP	1
File: Wcs57EV-TEAM品名方式E.scs&FIREFLY30DSP.dtb		