

**FARFISA**







**ELECTRONIC ORGAN**

Mod. **Bravo**

**SCHEMATIC DIAGRAM  
&  
TECHNICAL INFORMATION**



## LEGENDA

- 
**K2.1 FEMALE CONNECTOR SYMBOL (es. K2. 1)**
- 
**PLUG IN CONNECTOR SYMBOL**
- 
**OUTPUT SIGNAL (TO DWG... ) or (TO PA-...)**
- 
**INPUT SIGNAL (FROM DWG... ) or (FROM PA-...)**
- 
**TEST POINT (TP...)**
- 
**CONNECTING POINT (ON p.c.b.)**

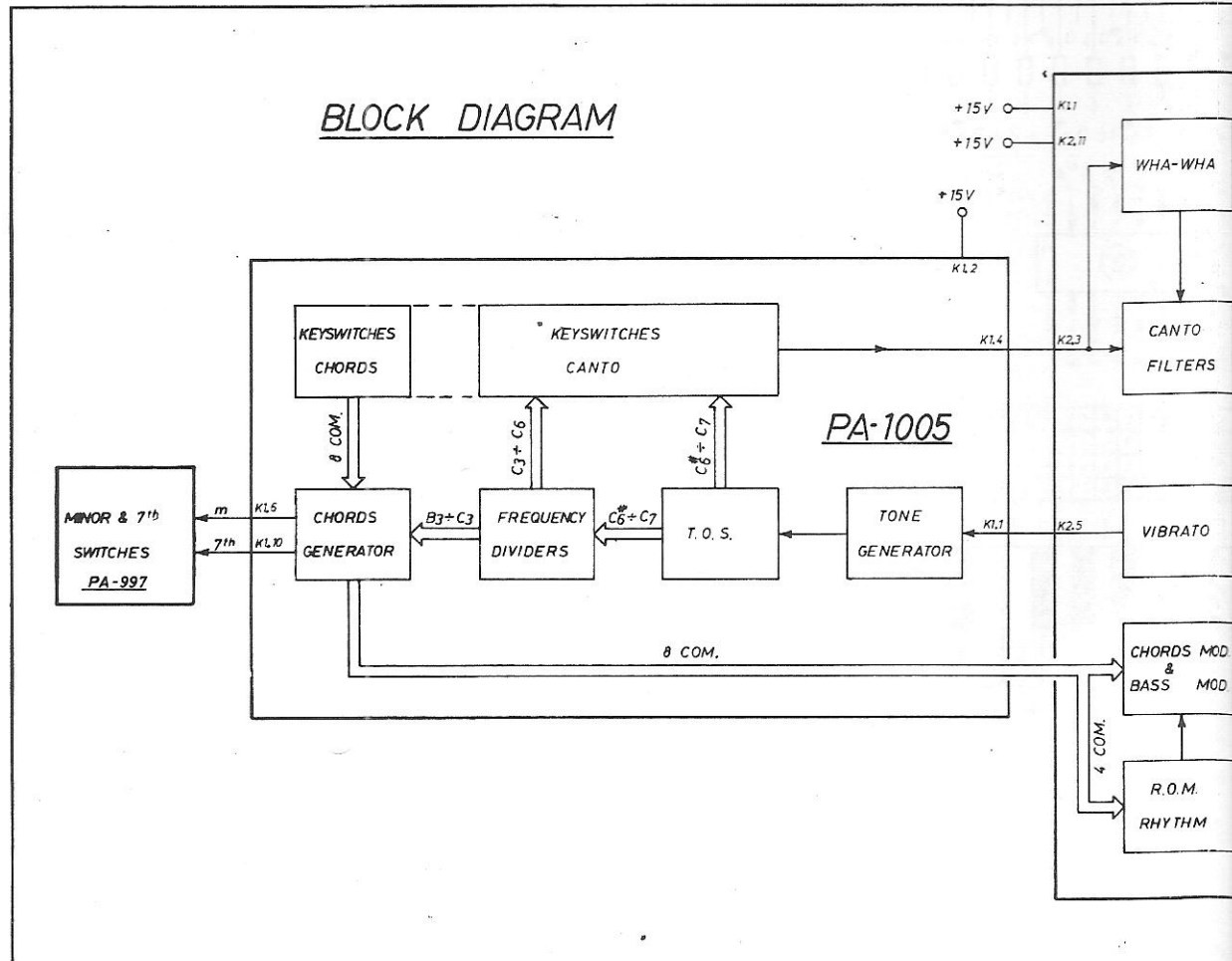
All resistors 1/4 unless otherwise indicated

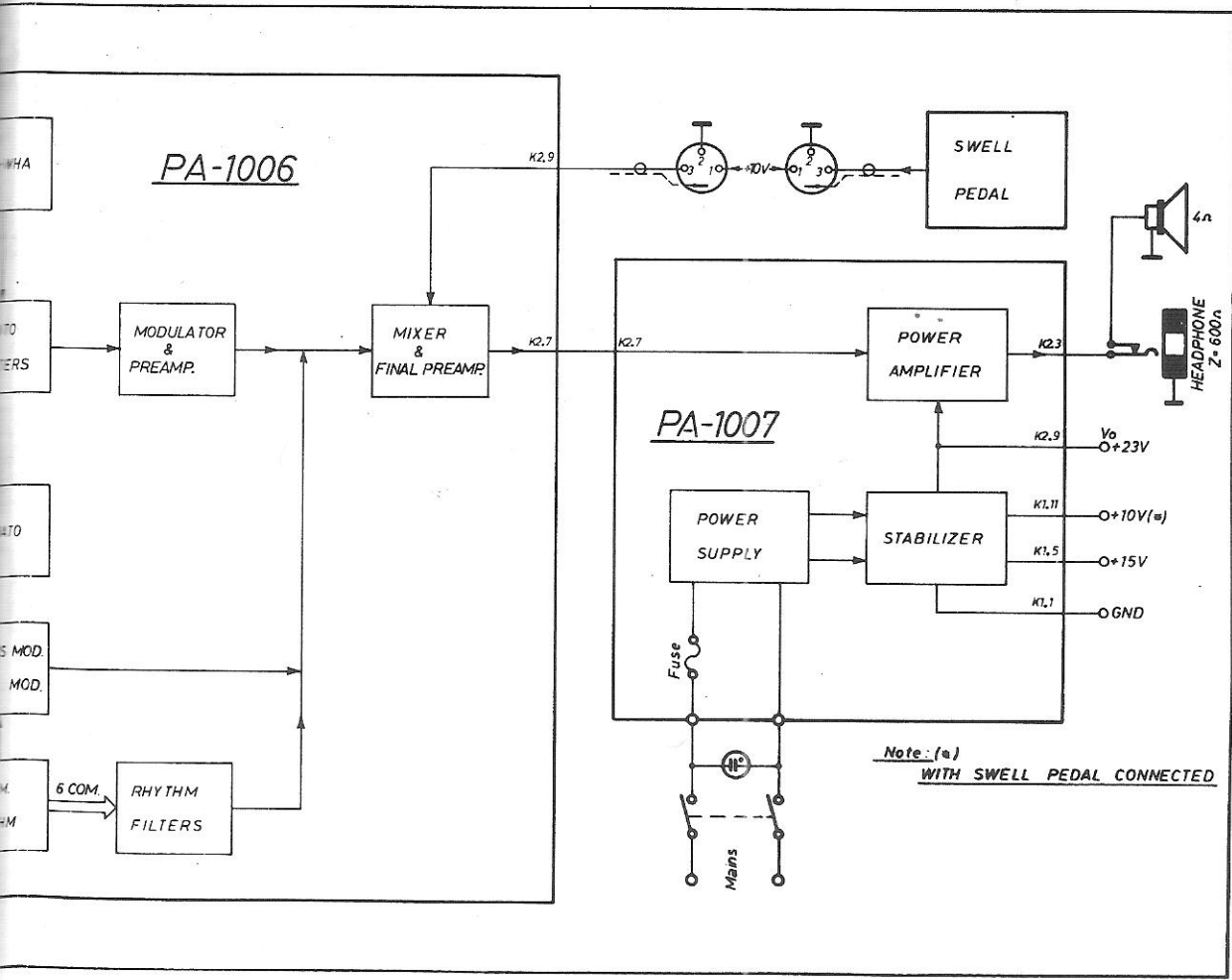
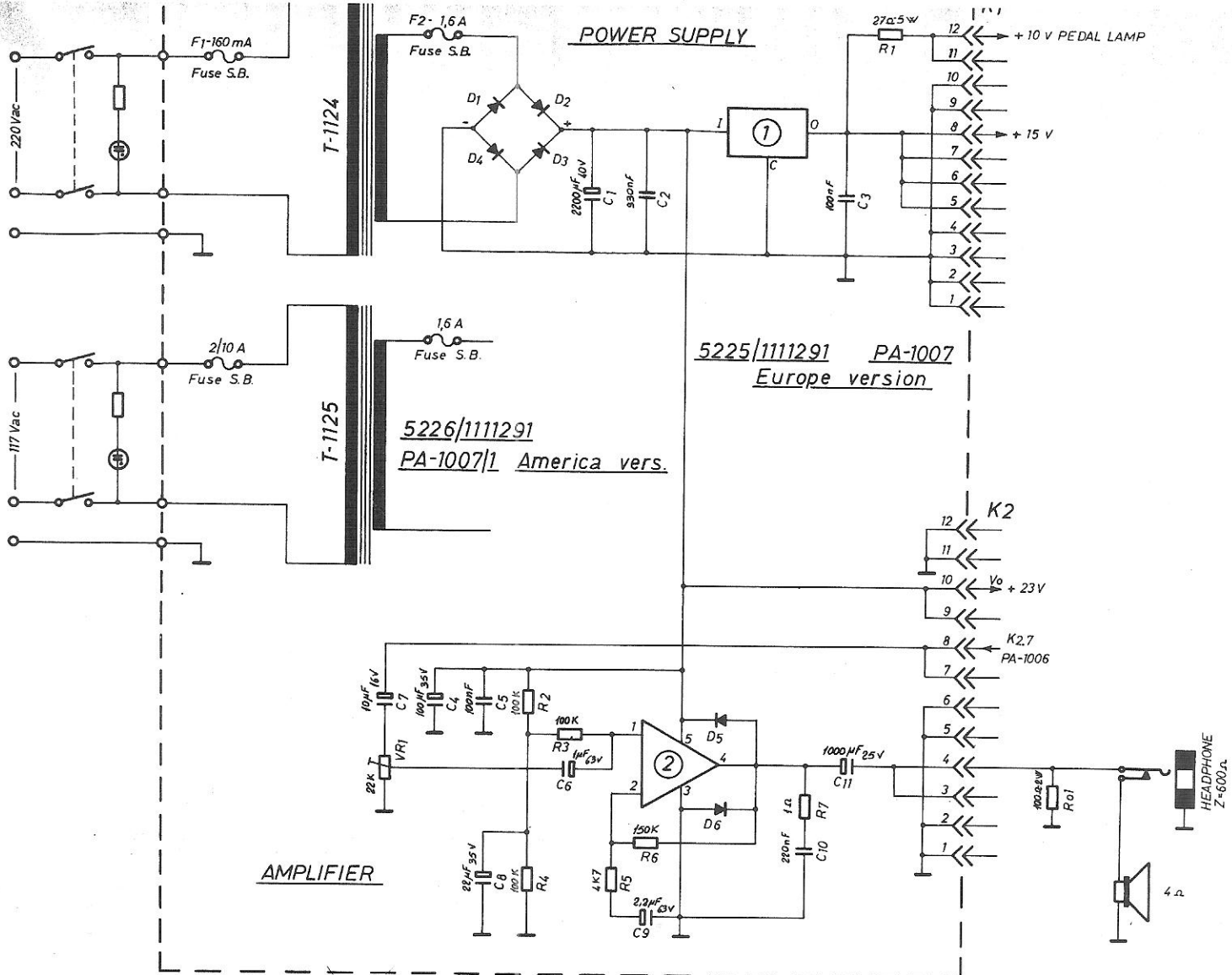
All tabswitches shown in OFF position

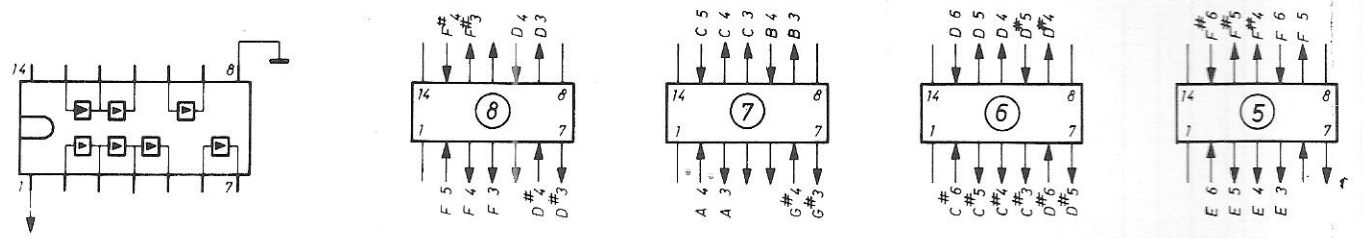
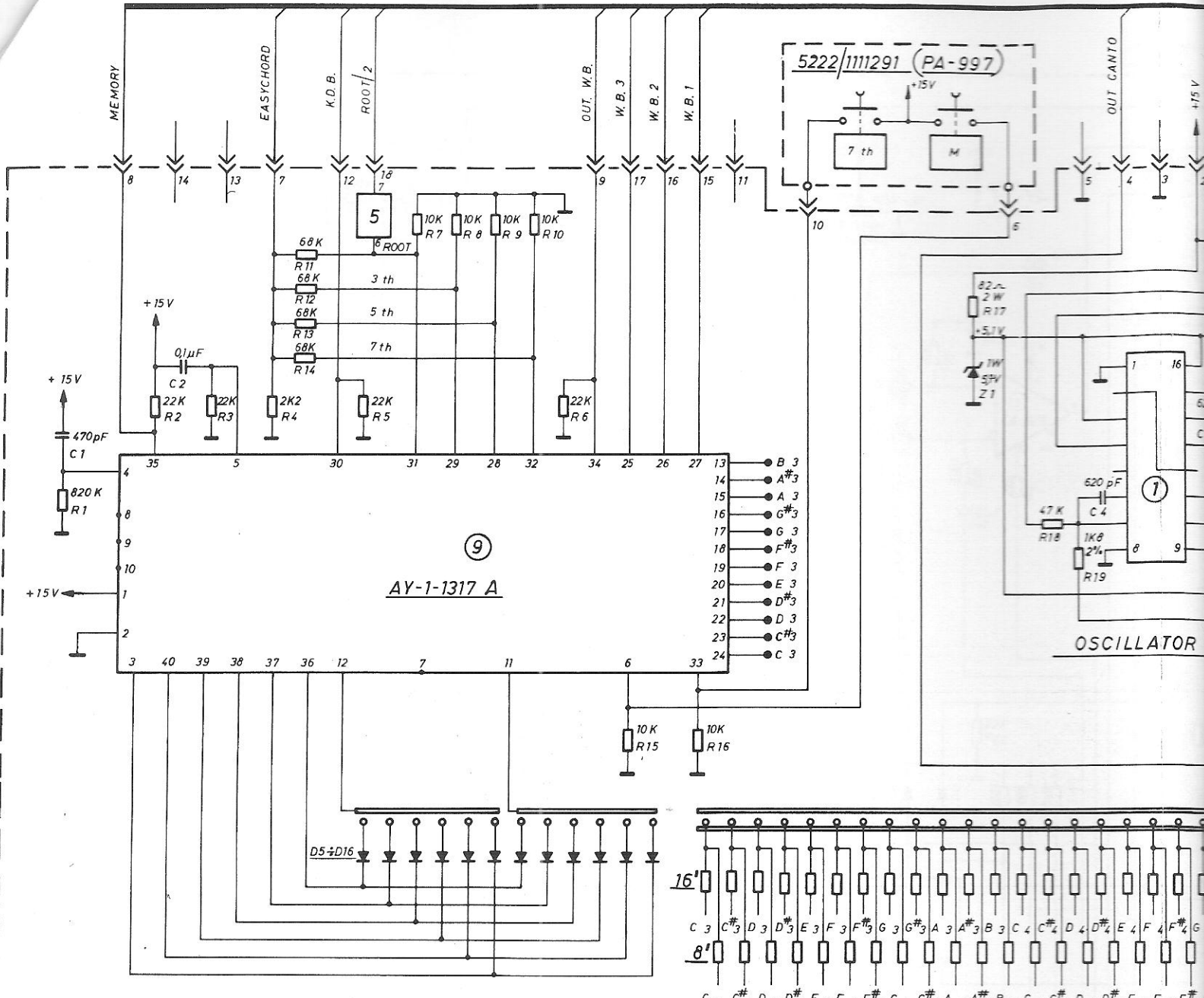
All keyswitches shown in OFF position

See part list for component part numbers

All D.C. voltages measured to ground with a voltmeter 20.000  $\Omega/V$

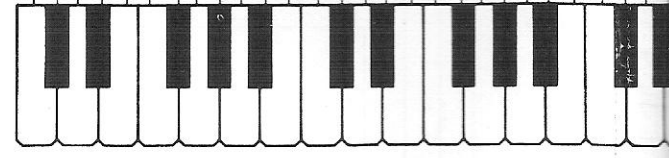


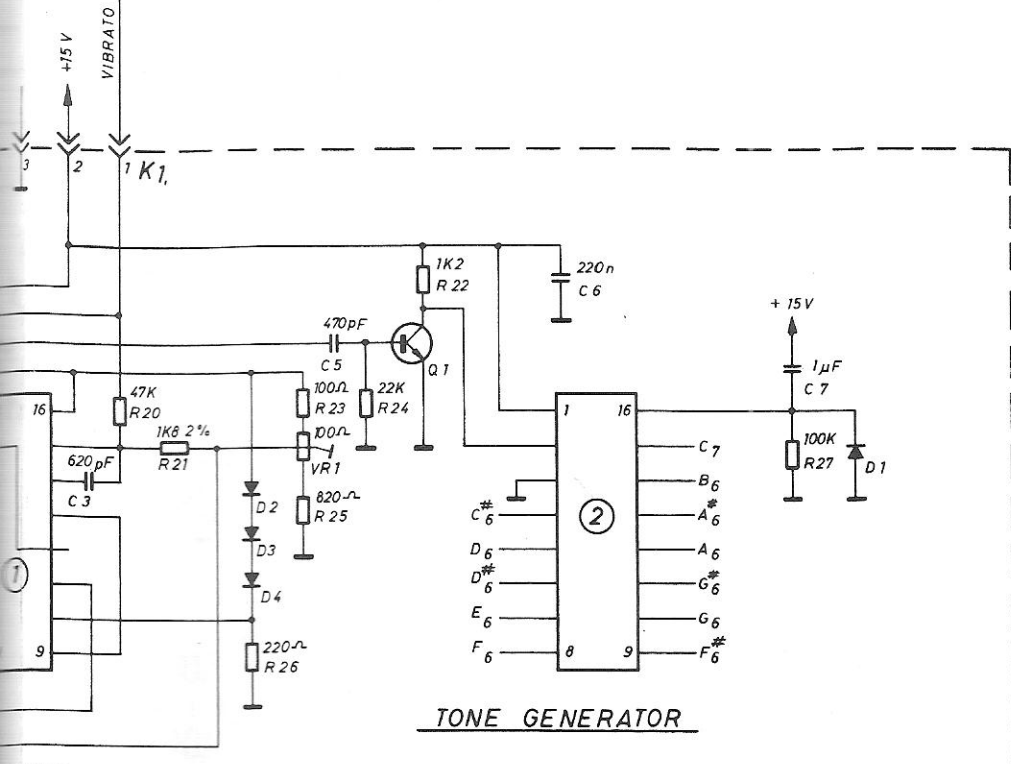




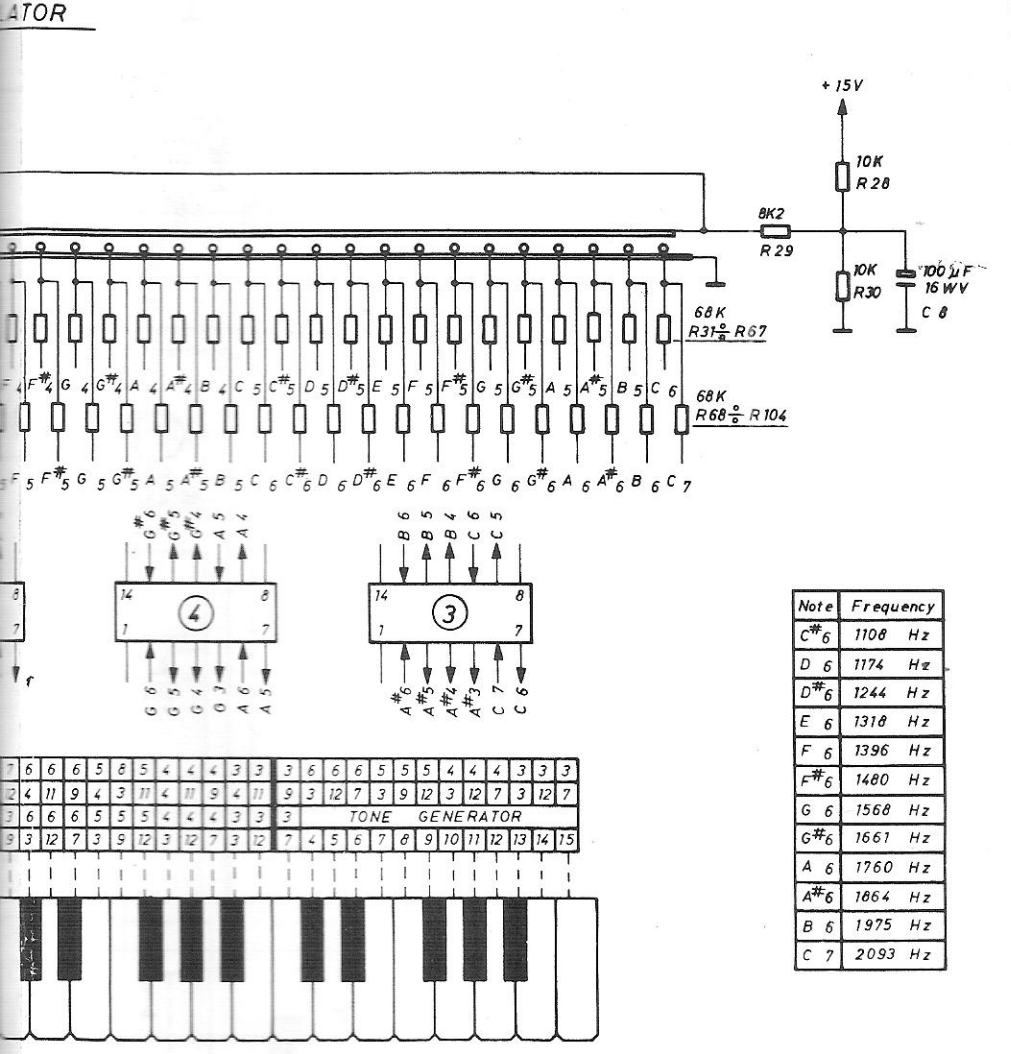
5223/111291 (PA-1005)

16'	I. C.							7	6	8	8	5	8	8	4	7	7	7	7	6	6	
	PIN							11	5	9	7	5	4	12	5	7	3	5	9	12	4	11
8'	I. C.							7	6	6	5	8	5	4	4	4	3	3	3	6	6	
	PIN							12	4	11	9	4	3	11	4	11	9	4	11	9	3	12

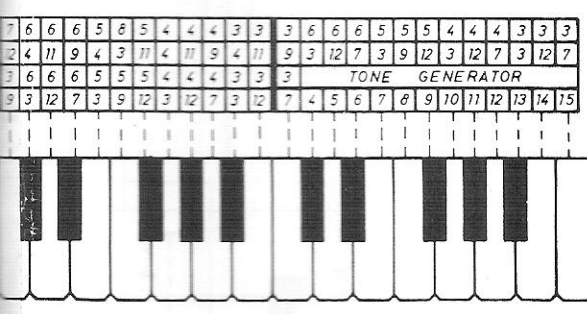




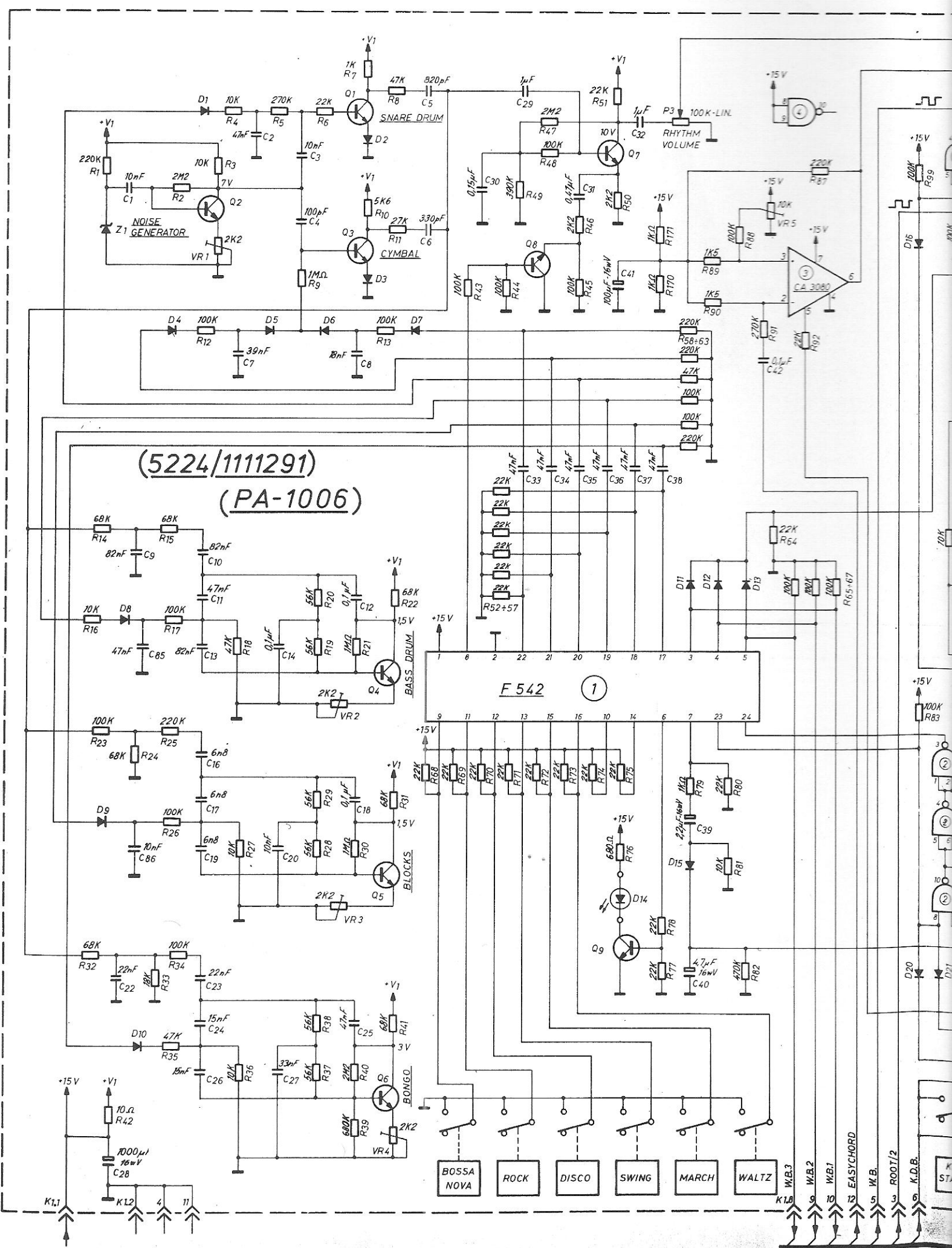
**TONE GENERATOR**



Note	Frequency
C#6	1108 Hz
D6	1174 Hz
D#6	1244 Hz
E6	1318 Hz
F6	1396 Hz
F#6	1480 Hz
G6	1568 Hz
G#6	1661 Hz
A6	1760 Hz
A#6	1864 Hz
B6	1975 Hz
C7	2093 Hz



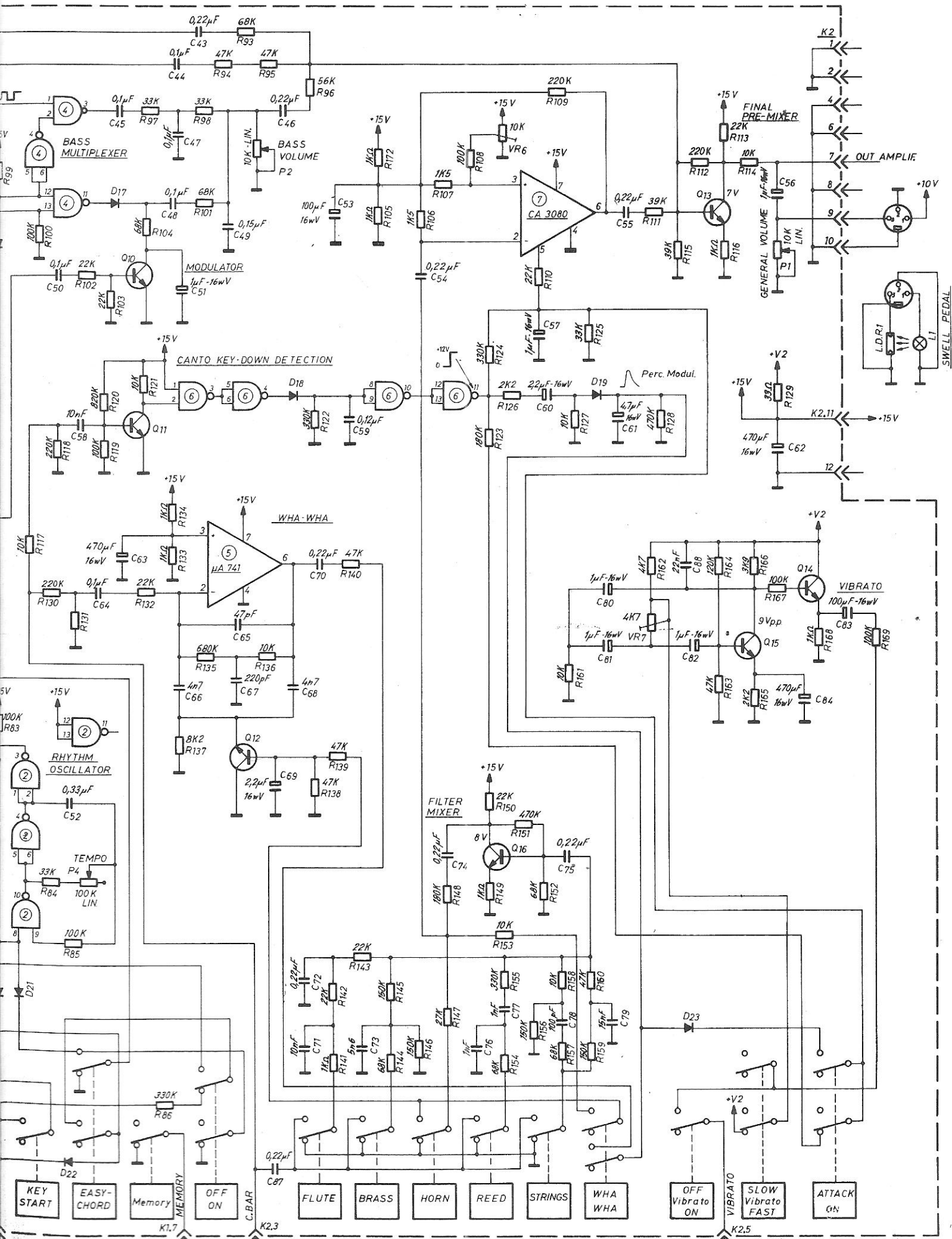
DRAWN BY <i>[Signature]</i>	Date 12-7-79	MODEL <b>BRAVO</b>	Serial N°	Serial N°	Serial N°
CHECKED BY <i>[Signature]</i>	Date 12-8-79	CODE <b>SE-287</b>	Revision	Revision	Revision
APPROVED BY <i>[Signature]</i>	Date 12-1-78	DWG. <b>1</b> OF <b>1</b>	Date	Date	Date



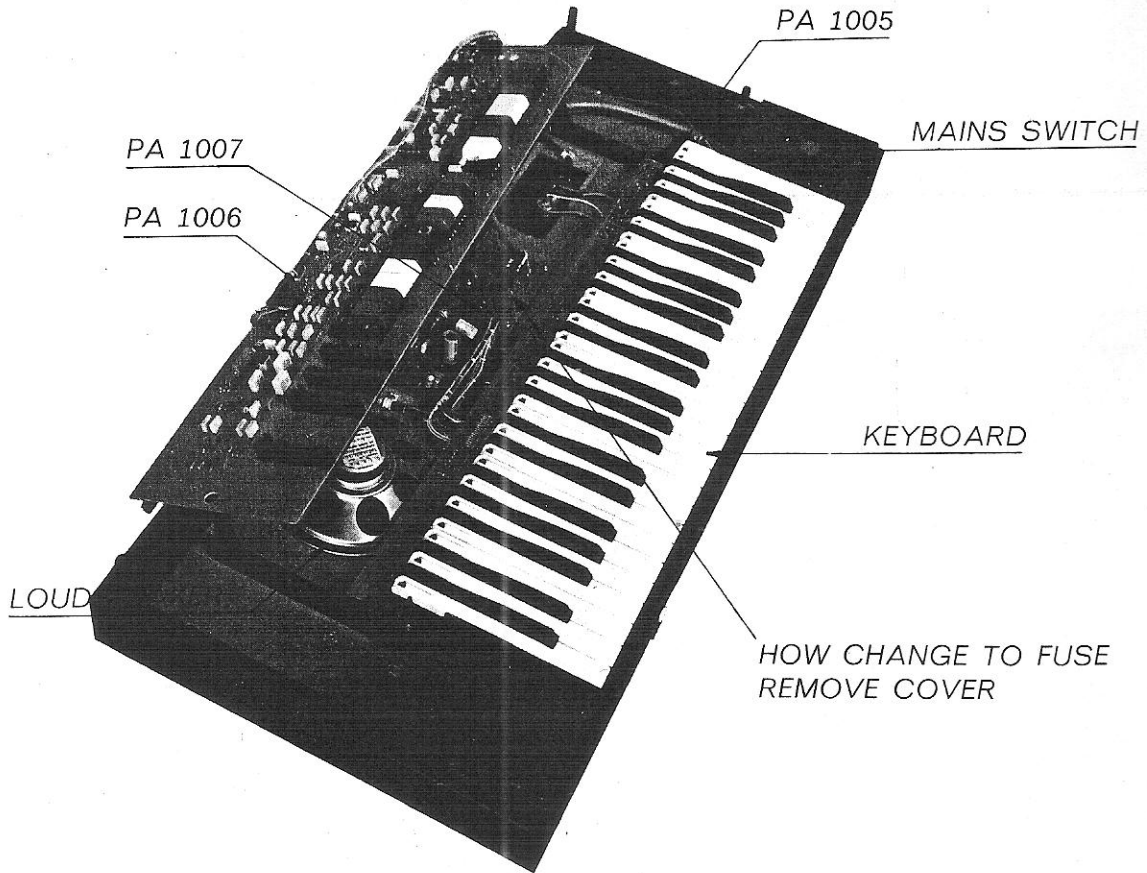
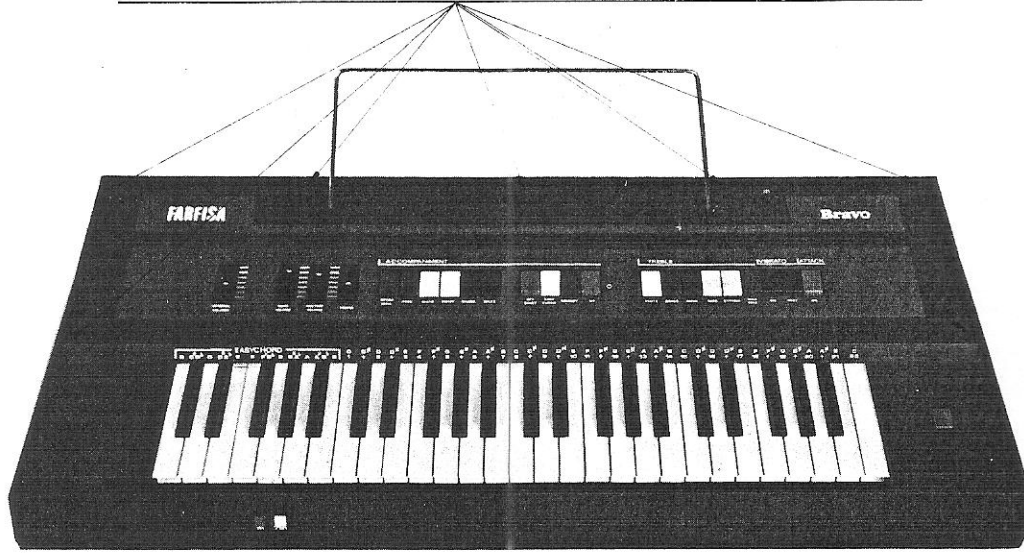
(5224/1111291)  
(PA-1006)

F 542 (1)

BOSSA NOVA    ROCK    DISCO    SWING    MARCH    WALTZ



REMOVE SCREWS TO REACH INSIDE THE INSTRUMENT



**FARFISA**

Farfisa is a subsidiary  
of Lear Siegler, Inc.