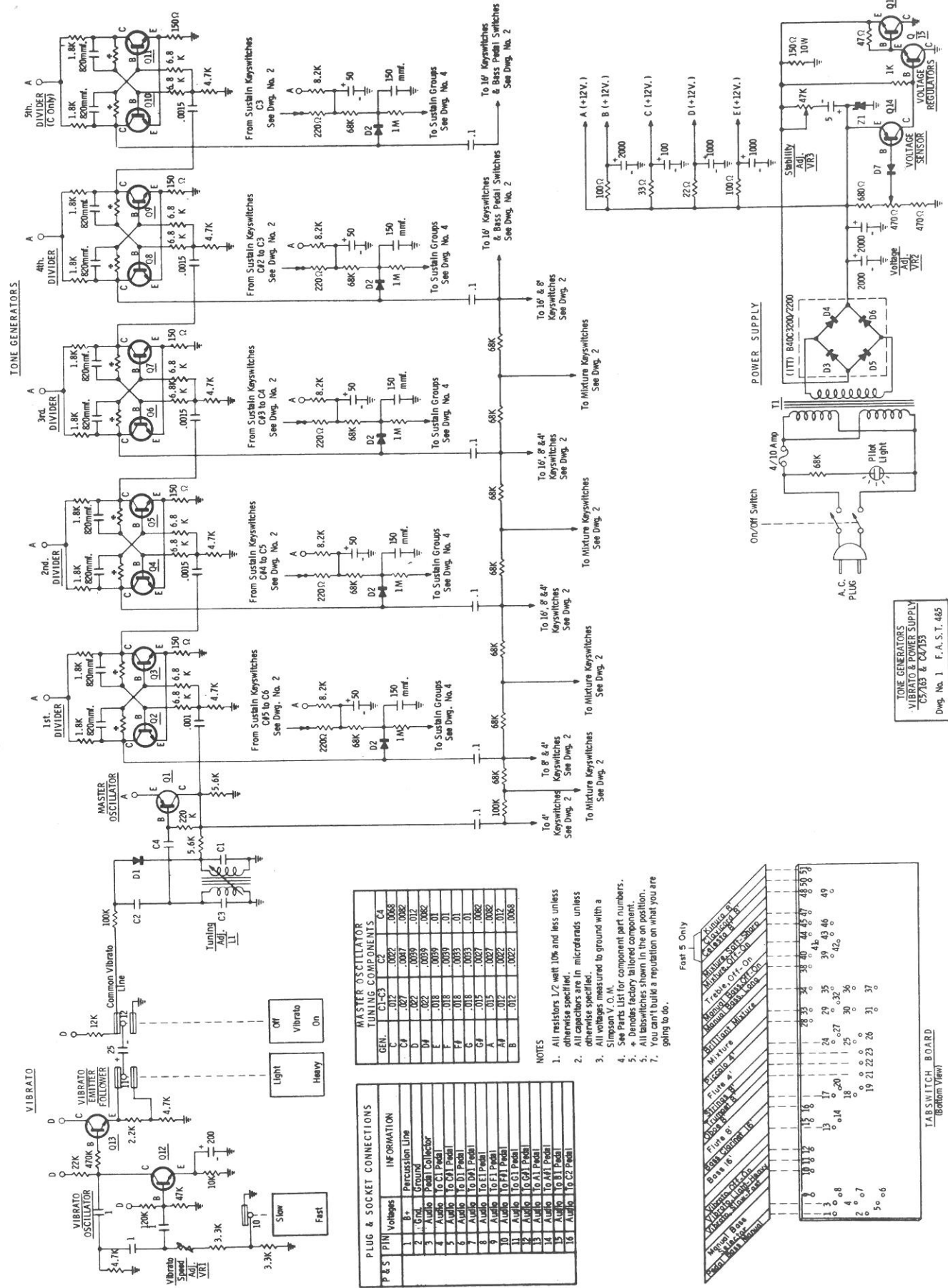
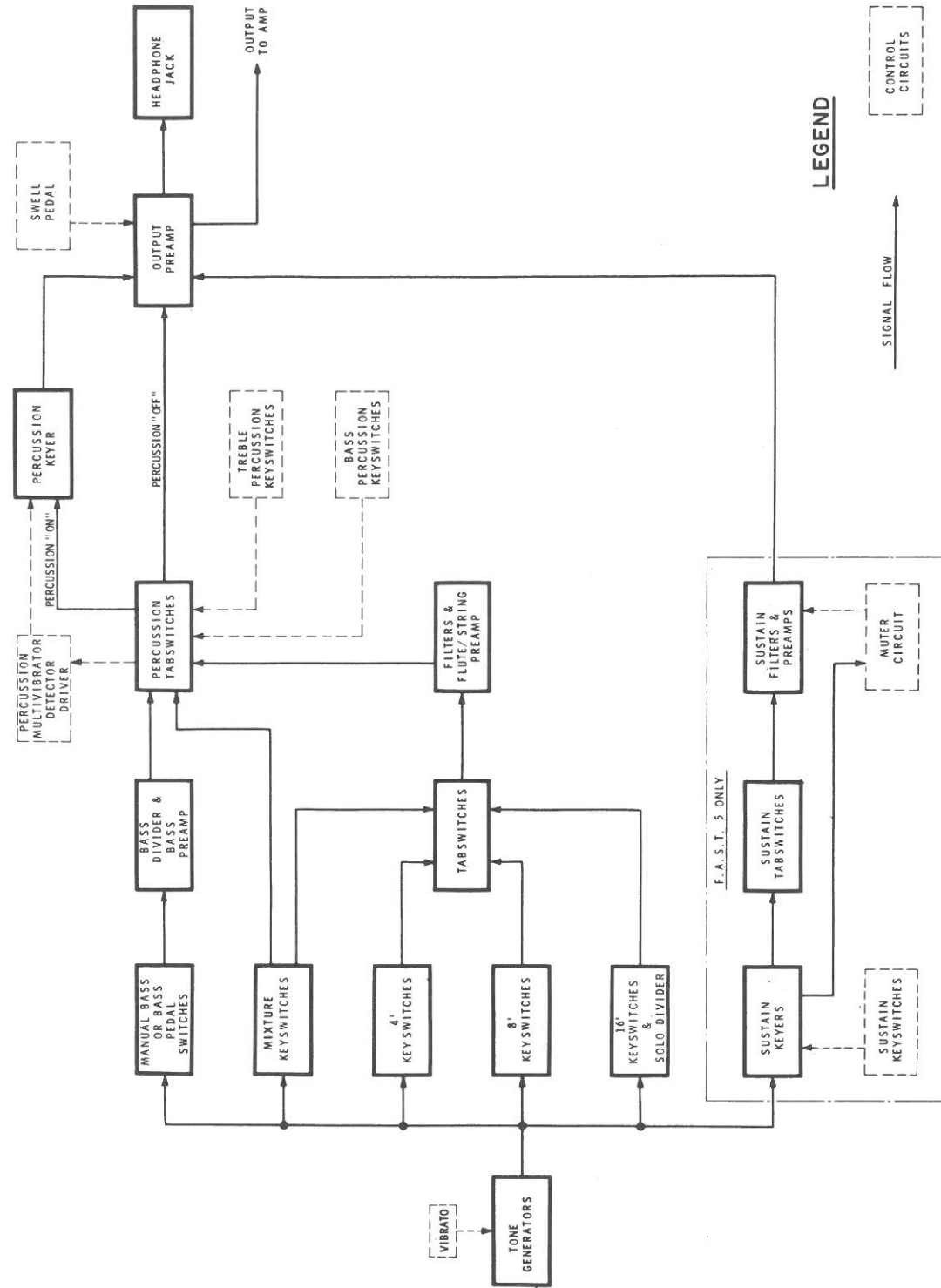


BLOCK DIAGRAM

F.A.S.T. 4B5



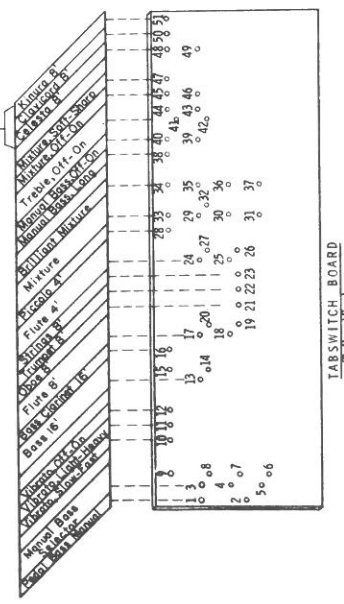
MASTER OSCILLATOR TUNING COMPONENTS

GEN.	C1-C3	C4	C5
A	.001	.001	.001
B	.001	.001	.001
C	.001	.001	.001
D	.001	.001	.001
E	.001	.001	.001
F	.001	.001	.001
G	.001	.001	.001
H	.001	.001	.001
I	.001	.001	.001

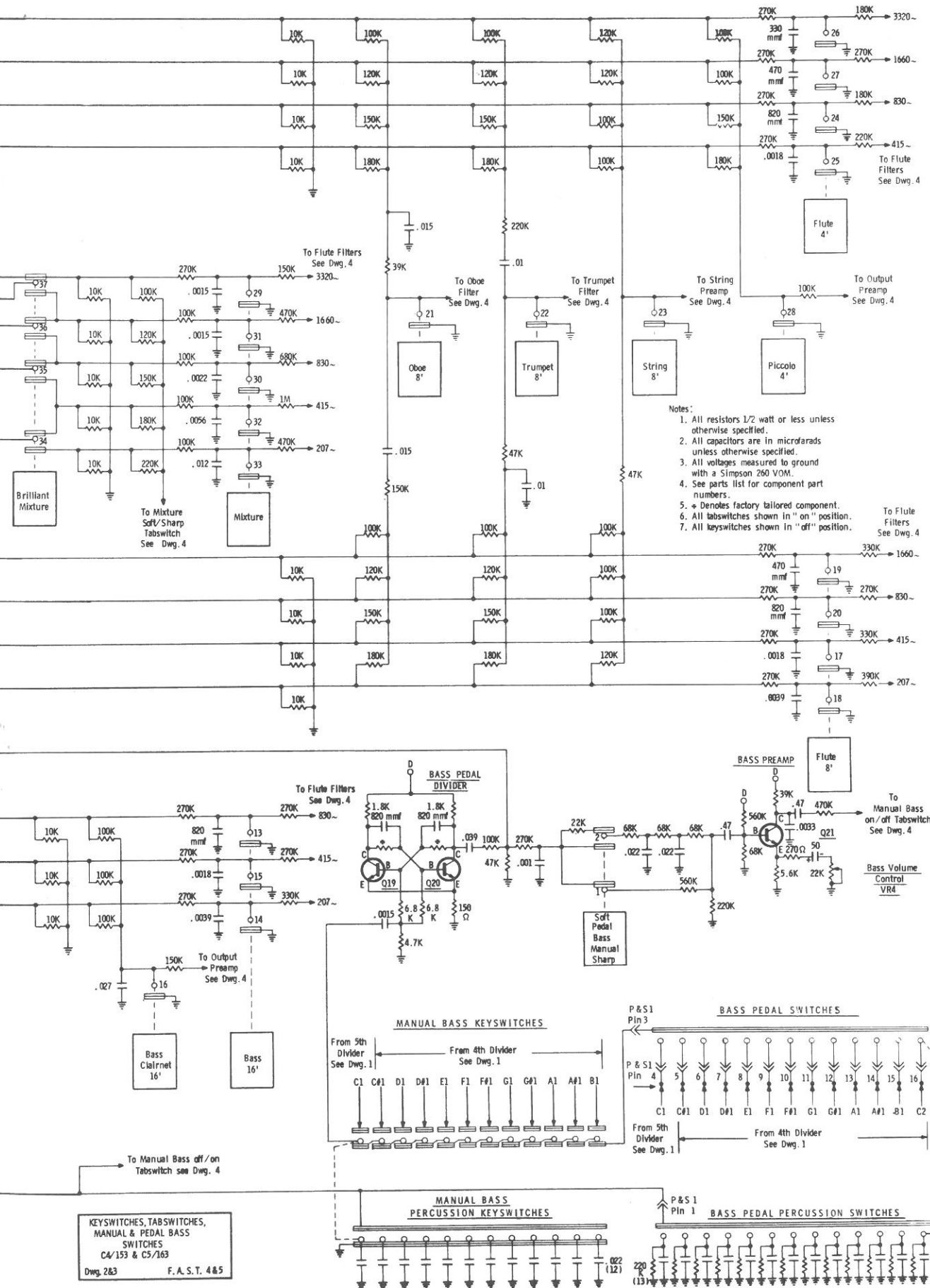
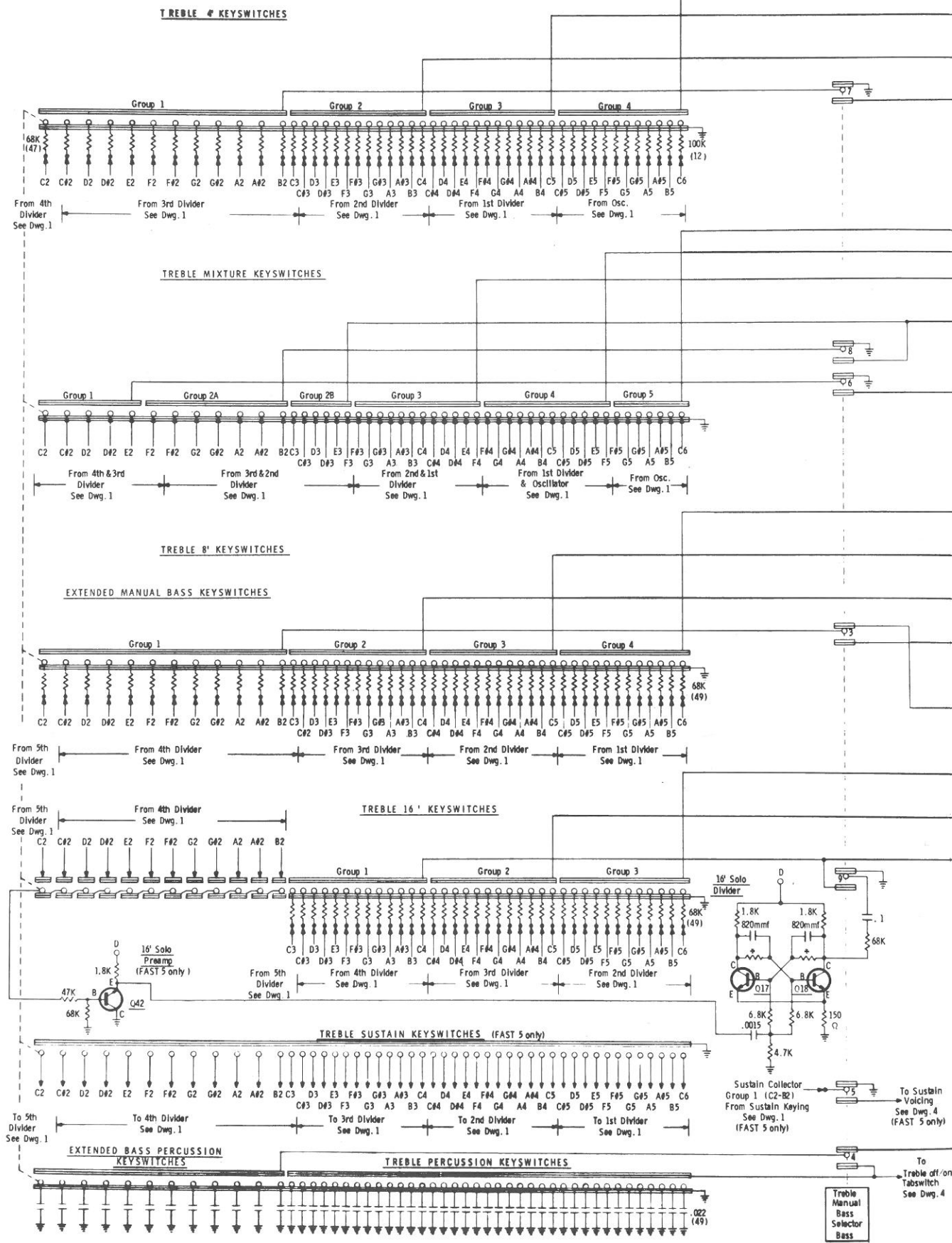
PLUG & SOCKET CONNECTIONS

PREST PIN	Voltages	INFORMATION
1	B+	Percussion Line
2	0V	Ground
3	0V	Ground
4	0V	Ground
5	0V	Ground
6	0V	Ground
7	0V	Ground
8	0V	Ground
9	0V	Ground
10	0V	Ground
11	0V	Ground
12	0V	Ground
13	0V	Ground
14	0V	Ground
15	0V	Ground
16	0V	Ground

- NOTES
- All resistors 1/2 watt 10% and less unless otherwise specified.
  - All capacitors are in microfarads unless otherwise specified.
  - Simpson V.O.M.
  - See Parts List for component part numbers.
  - All tabswitches shown in the on position.
  - You can't build a reputation on what you are going to do.



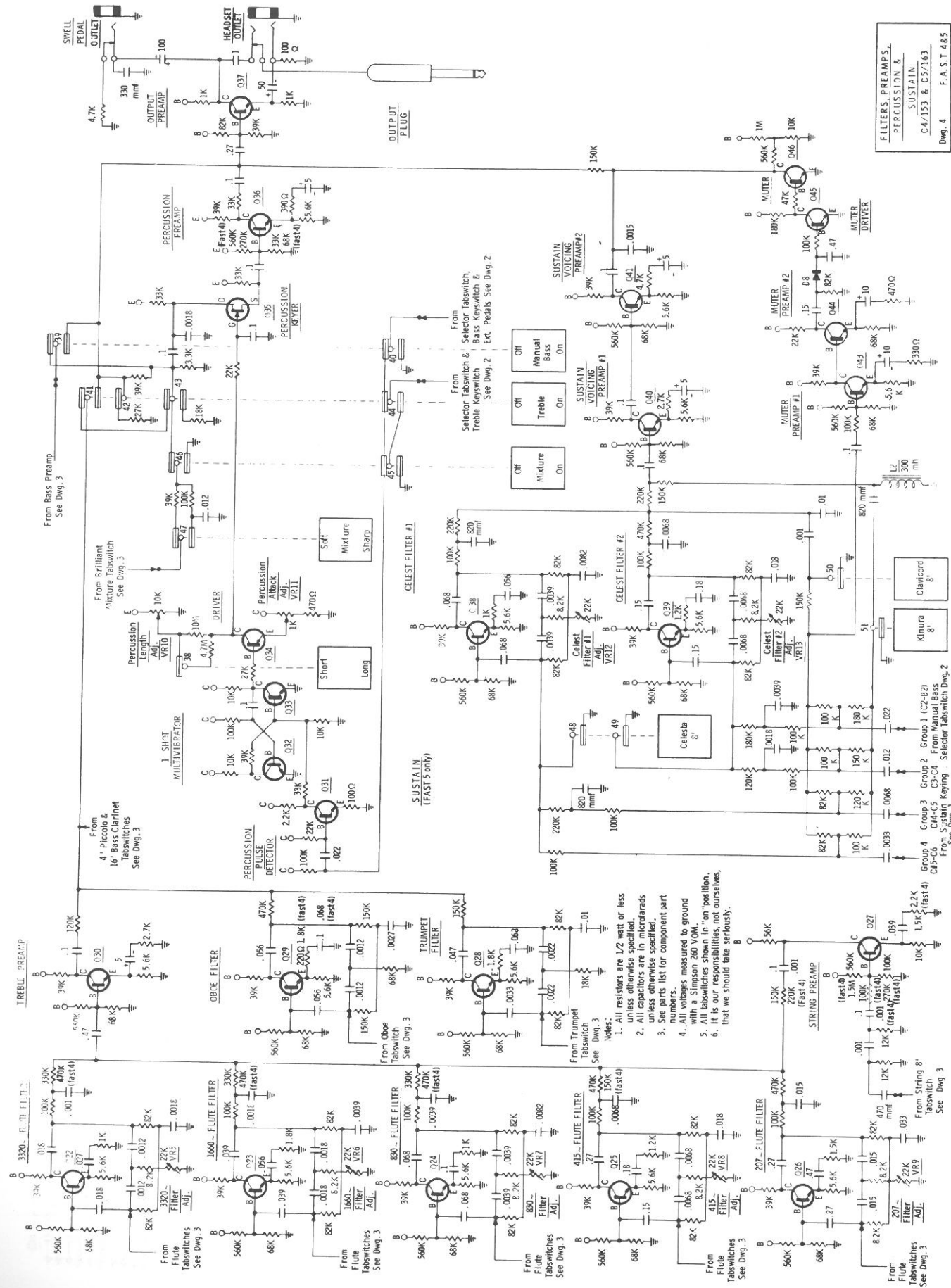
TONE GENERATORS VIBRATO & POWER SUPPLY CS7103 & CS0135 Dwg. No. 1 F.A.S.T. 4B5



- Notes:
1. All resistors 1/2 watt or less unless otherwise specified.
  2. All capacitors are in microfarads unless otherwise specified.
  3. All voltages measured to ground with a Simpson 250 VOM.
  4. See parts list for component part numbers.
  5. + denotes factory tailored component.
  6. All tabswitches shown in "on" position.
  7. All keyswitches shown in "off" position.

KEYSWITCHES, TABSWITCHES,  
MANUAL & PEDAL BASS  
SWITCHES  
C4/153 & C5/163  
Dwg. 283 F. A. S. T. 4 & 5

# FAST 4 & 5



# FAST 4 & 5

## FRONT VIEW FAST 4 & 5

