



Fender®

MADE IN U.S.A.

JAZZ BASS

MANUAL NO. 011040 (Rev. C)

**OWNER'S
MANUAL**

JAZZ BASS

Your new Fender Instrument incorporates the highest standards of craftsmanship and quality components. As a Fender Owner you can be proud and self-assured in the knowledge that you have the finest.

Your playing pleasure will be enhanced if you become thoroughly acquainted with all of the features of your instrument. Please read this instruction manual carefully and completely. If you need more information contact your Fender Dealer.

Modern styled head

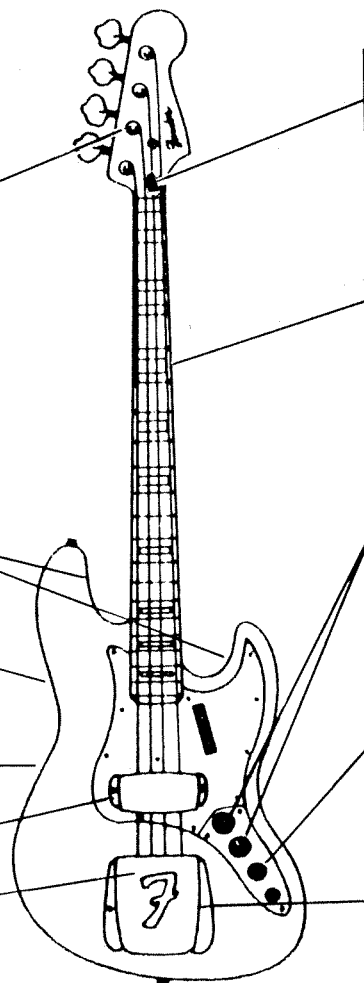
Places keys all on one side for easier tuning. Provides straight pull on all strings. Safety string posts and professional plated machine heads.

Body Design

- Cutaway body for easy access to all frets.
- Off set waist for comfortable playing when seated (A Fender Patent).
- Back is contoured to fit player's body.

Pickups

Rhythm
Lead



Adjustable Truss Rod "Bullet" Nut

Fast Action Thin Neck

Solid Maple neck with micro-adjust tilt mechanism and new quick-adjust truss rod for perfect neck alignment.

Volume Control

Separate control knob for each pickup.

Tone Control

Single knob controls both pickups.

Adjustable Bridge

Individual string height and length adjustments.

FIGURE 1

STRING HEIGHT ADJUSTMENT

First remove the chrome bridge cover. There are four bridge sections each with two height adjusting screws.

To raise the strings turn the screws clockwise. To lower the strings turn the screws counter-clockwise. Low string action makes for easier playing but if the strings are too low they will buzz on the frets.

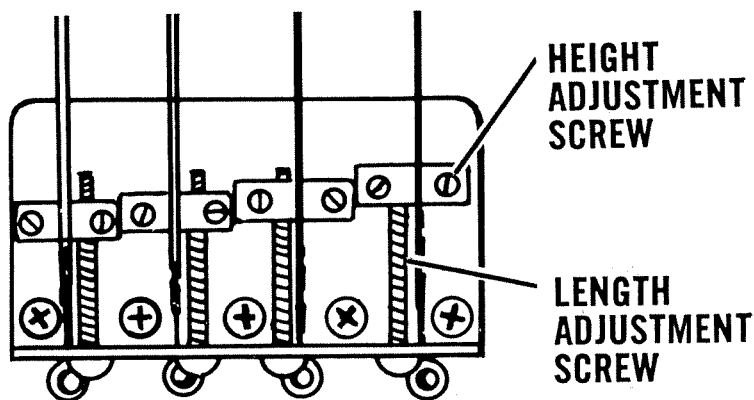


FIGURE 2
BRIDGE

STRING LENGTH ADJUSTMENT

There are four length adjusting screws (Fig. 2). If a string sounds flat when played at the twelfth fret compared with the open string harmonic at the same fret, turn the screw counter-clockwise. If a string sounds sharp to the harmonic, turn the screw clockwise.

PICKUP ADJUSTMENT

The pickups are adjusted to proper height at the factory. To raise a pickup, turn the screws at each end counter-clockwise. To lower, turn the screws clockwise.

ADJUSTABLE NECK TRUSS ROD: A well known feature of all Fender Electric Guitars is the adjustable neck truss rod which maintains perfect neck alignment. An additional "Fender First" has now been added with the incorporation of a Bullet Truss Rod Adjusting Nut. This nut is located on the head of the instrument at the upper end of the fretboard. If for any reason the neck needs further adjustment, the corrections can be made as follows:

Insert the $\frac{1}{8}$ " Allen wrench (furnished with instrument) in the bullet nut. If the neck bows up in the center, turn the nut counterclockwise. If the neck is concave in the center, turn the nut clockwise.

TILT NECK "MICRO" ADJUSTMENT: The Tilt Neck "Micro" Adjustment has been added to insure greater accuracy in neck to body alignment. To adjust neck angle, loosen lock screw "A" two full turns. Screws "C" and "D" need not be loosened. Insert $\frac{3}{32}$ Allen wrench (furnished with instrument) through hole "B" in neck plate and into set screw in bottom of hole. To increase angle, turn screw clockwise. This will place the strings closer to the fretboard. To decrease the angle, turn screw counterclockwise. When desired adjustment is reached, tighten lock screw "A" and re-check. As tightening the lock screw may alter adjustment slightly, repeat above procedure until desired setting is reached.

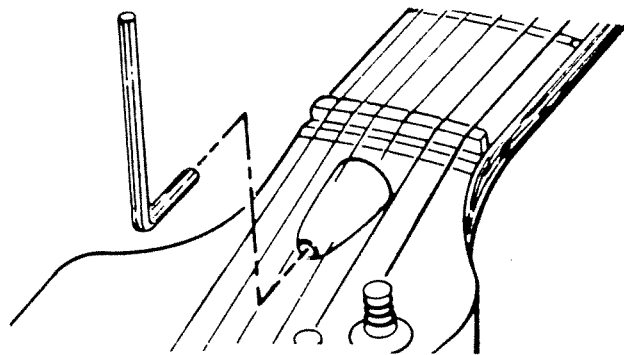


Figure 3
Adjustable Neck Truss Rod

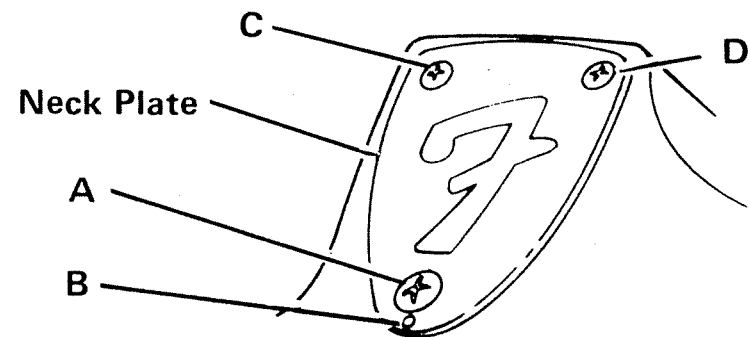
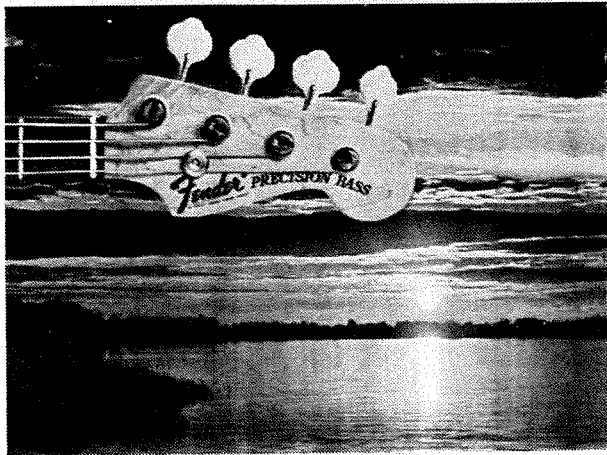


Figure 4
Tilt Neck "Micro" Adjustment

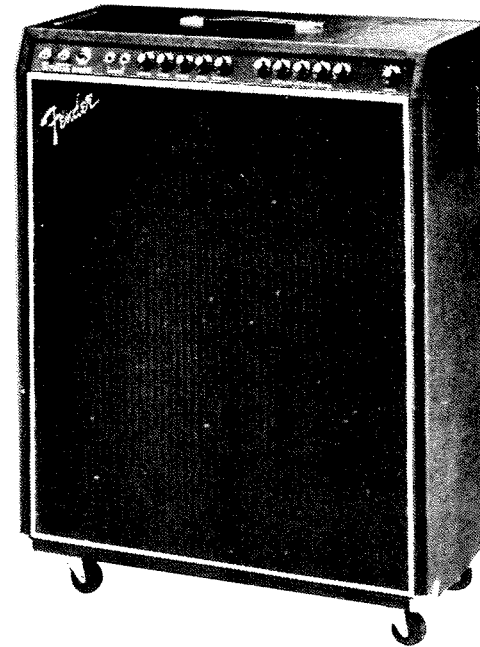
ACCESSORIES FOR YOUR FENDER GUITAR

F-90 BRIGHT SET NICKEL
ROUND WOUND
Electric Bass Strings



FENDER ELECTRIC STRINGS

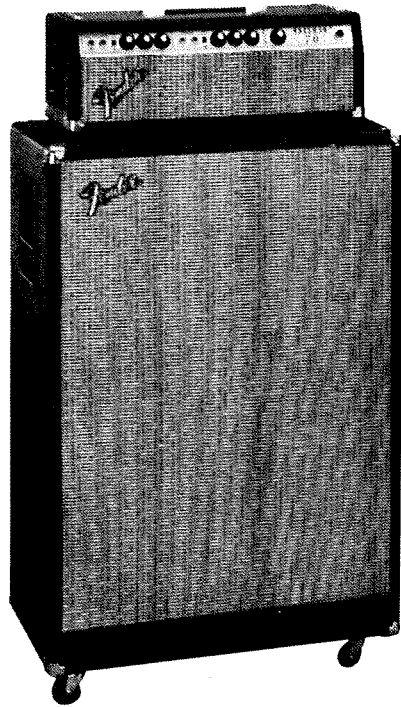
They finger beautifully with consistent tonal quality and long life expectancy. Plus they are designed to match perfectly with Fender Guitars and Bases.



STUDIO BASS AMPLIFIER

200 watts RMS and 440 watts peak music power

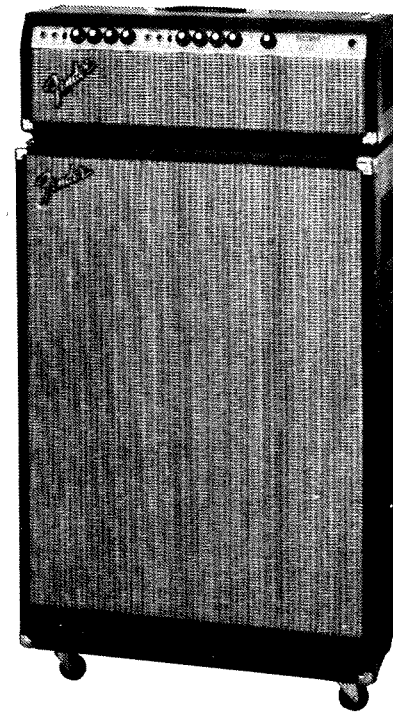
Five band harmonic balance and equalization
15 inch heavy duty electro voice speaker in a Thiele aligned vented enclosure.



BASSMAN 70

70 watts RMS and 154 watts peak music power.

Two heavy-duty 15" speakers mounted in a specially designed enclosure.



BASSMAN 135

135 watt RMS and 297 watts peak music power.

Two heavy-duty 15" speakers housed in an enclosure.

IMPORTANT

See accompanying warranty card folder

Fender[®]
Made in U.S.A.

P.O. BOX 4137 - 1300 E. VALENCIA DRIVE, FULLERTON, CA 92634

Litho U.S.A.