

Rhodes[®]

Keyboard Instruments U.S.A.

SERVICE

MANUAL

Vintage Vibe
9 Everment Rd.
Wharton, NJ 07885
917-880-9763
www.vintagevibe.com

RHODES Keyboard Instruments U.S.A.
Post Office Box 4137 — 1300 East Valencia
Fullerton, California 92634
(714) 879-8080

Copyright © 1979 CBS Musical Instruments A Division of CBS Inc.



Table of Contents

	Page	
Section I	Latest Design RHODES Piano	
Chapter 1	The RHODES Tone Source	1-1
Chapter 2	The RHODES Modular Action	2-1
	Damper Release Bar	2-1
	Damper Push Rod Assembly	2-2
	Damper Module	2-2
	Action Rail	2-3
	Harp Supports	2-3
	Multiple Hammer Flange	2-4
Chapter 3	Instructions For Disassembly	3-1
	Harp Cover Removal	3-1
	Nameboard Assembly Removal	3-1
	Harp Assembly Removal	3-1
	Damper Release Bar Removal	3-1
	Damper Module Removal	3-2
	Hammer Removal	3-3
	Removal of Keyboard Assembly from Cabinet	3-3
	Stage Piano	3-3
	Suitcase Piano	3-4
	Action Rail and Harp Removal	3-4
	Harp Support Removal	3-5
	Cheekblock Removal	3-5
	Key Removal	3-5
Chapter 4	Dimensional Standards and Adjustments	4-1
	Key Dip	4-1
	Escapement	4-1
	Damper Clearance	4-3
	Damper Module Adjustment	4-4
	Tension	4-4
	Alignment	4-4
	Striking Line	4-5
	Re-Establishing Striking Line	4-6
	Timbre Adjustment	4-7
	Volume Adjustment	4-7

Table of Contents (Continued)

		Page
Chapter 5	Tuning The RHODES Piano	5-1
	Electronic Tuning	5-2
	Stretch Tuning	5-3
	How to Follow The Chart	5-5
Chapter 6	Repair Procedures and Techniques	6-1
	Tone Generator Assembly Replacement Procedure	6-1
	Key Pedestal Modification Procedure	6-4
	Worn Key Bushing Repair Procedure	6-7
	Key Cap Replacement Procedure	6-8
	Full-Skirt Type Key Cap	6-9
	One- And Two-Piece Type Key Cap	6-9
Section II	Early Design RHODES Piano	
Chapter 7	Early Design RHODES Piano — Tone Source (Prior to July 1975)	7-1
	The Tine	7-2
Chapter 8	Early Design RHODES Pianos — Action (Prior to September 1975)	8-1
	The Action	8-1
Chapter 9	Early Design RHODES Pianos — Maintenance and Rejuvenation	9-1
Chapter 10	Early Design RHODES Pianos — Dimensional Standards and Adjustments	10-1
	Key Dip	10-1
	Damper Control	10-2
	Escapement	10-2
	Signal Strength	10-4
Section III	Electrical and Electronic Service Aids	
Chapter 11	Diagrams, Schematics and Pictorials	11-1

List of Illustrations

Figure Number	Title	Page Number
1-1	Tuning Fork Comparison	1-1
1-2	RHODES Tuning Fork	1-1
2-1	RHODES Modular Action — Single Key View	2-1
2-2	RHODES Damper Modules — Bass, Mid and Treble Configurations	2-3
2-3	RHODES Modular Action — Exploded View	2-4
3-1	RHODES Harp/Action Assembly — Exploded View	3-2
3-2	RHODES Stage Piano — Bottom View	3-3
3-3	RHODES Suitcase Piano Top — Bottom View	3-4
4-1	RHODES Modular Action — Single Key Depressed	4-1
4-2	Escapement Distances	4-1
4-3	Escapement Adjustment Locations	4-2
4-4	Adjustment Location 1	4-3
4-5	RHODES Damper Arm — Tension Adjustment	4-4
4-6	RHODES Damper Arm — Alignment Adjustment	4-4
4-7	RHODES Harp/Action Assembly	4-6
4-8	Timbre Adjustment Diagram	4-7
4-9	Volume Adjustment Diagram	4-7
5-1	RHODES Tone Bar Assembly	5-1
5-2	Harp Position for Tuning the RHODES	5-2
5-3	Typical Dial — Electronic Tuning Device	5-4
5-4	Stretch Tuning Chart	5-6
6-1	Tone Generator Assembly Removal/Replacement	6-2
6-2	Tine Cutting Measurement Chart	6-3
6-3	Felt Strip — Cutting Line Dimension	6-5
6-4	Key Pedestal — Pencil Line Dimension	6-6
6-5	Key Pedestal — 5/32" Felt Piece Mounted	6-6
6-6	Key Pedestal — Felt Modification Complete	6-7
6-7	Key Bushing Tightener	6-8
6-8	Key Identification Chart	6-10
7-1	RHODES First Stage Tone Bar Assembly	7-1
7-2	RHODES Second Stage Tone Bar Assembly	7-2
7-3	RHODES Third Stage Tone Bar Assembly	7-2
7-4	RHODES Original Tine Design	7-2
7-5	RHODES Second Stage Tine Design	7-3
7-6	RHODES Swaged Tine Design	7-3
8-1	RHODES Original Action Design	8-1
8-2	RHODES Second Stage Action Design	8-1
8-3	RHODES Third Stage Action Design	8-2
8-4	RHODES Fourth Stage Action Design	8-2
9-1	Tear Drop Hammer Head — Groove Removal	9-1

List of Illustrations (Continued)

Figure Number	Title	Page Number
9-2	Tear Drop Hammer Head — Reshaping to Striking Line	9-1
9-3	RHODES Hammer — Shim Placement	9-3
9-4	Early Design Damper	9-3
9-5	Double-Shoulder Hammer Head	9-4
9-6	RHODES Early Design Harp/Action Assembly — Cut-Away View	9-5
10-1	RHODES Early Design Single Key View	10-1
10-2	RHODES Early Design Harp/Action Assembly — Exploded View	10-3
10-3	RHODES Original Pickup Coil Series/Parallel Arrangement	10-4
10-4	RHODES Modified Pickup Coil Series/Parallel Arrangement	10-4
10-5	RHODES Bus Wire Re-Routing Diagram	10-4
11-1	Schematic — Preamplifier Assembly — 100 Watt Suitcase and Janus I	11-2
11-2	Printed Circuit Board — Preamplifier Assembly — 100 Watt Suitcase and Janus I	11-3/11-4
11-3	Schematic — Dual 50 Watt Power Amplifier — 100 Watt Suitcase and Janus I	11-5
11-4	Schematic — Power Amplifier — Janus I	11-6
11-5	Printed Circuit Board — ± 15 Volt Regulator — 100 Watt Suitcase and Janus I Power Amplifier	11-7/11-8
11-6	Printed Circuit Board — 50 Watt Power Amplifier — Suitcase Piano	11-9/11-10
11-7	Printed Circuit Board — 50 Watt Power Amplifier — Janus I	11-11/11-12
11-8	Schematic — Preamplifier — 80 Watt Suitcase and Super Satellite	11-13
11-9	Schematic — Power Module — 80 Watt Suitcase	11-14
11-10	Schematic — Power Supply Regulator Assembly (Peterson Design) — 80 Watt Suitcase	11-15
11-11	Circuit Board Assembly — Power Supply Regulator (Peterson Design) — 80 Watt Suitcase	11-16
11-12	Schematic — Power Amplifier, Master and Slave — Super Satellite	11-17
11-13	Schematic — Power Control Panel, Master — Super Satellite	11-18
11-14	Schematic — Power Control Panel, Slave — Super Satellite	11-19
11-15	Schematic — Converter Kit I	11-20
11-16	Schematic — Converter Kit II	11-21
11-17	Schematic — Preamplifier and Power Amplifier (Jordan Design) — Suitcase Piano (Pre 1969)	11-22
11-18	Connection Diagram — All Printed Circuit Boards — Instructor Console	11-23
11-19	Schematic — Preamplifier and Power Amplifier — Student Piano (First Version — 1968)	11-24
11-20	Schematic — Preamplifier and Power Amplifier — Instructor Piano (First Version — 1968)	11-25
11-21	Wiring Diagram — Instructor Console	11-26
11-22	Schematic — Master Circuit Board — Instructor Console	11-27
11-23	Schematic — Power Supply — Instructor Console	11-28

ACKNOWLEDGEMENT

Appreciation is due to all who have been involved in producing this manual. Specifically, to our Sales Force, the Retail and Service dealers and the artists who offered suggestions. Last, but by no means least, to our own highly qualified Product Development, Production, Service and Marketing personnel whose many hours of labor and years of expertise have produced what we believe to be a comprehensive aid to servicing and understanding the RHODES Piano.

RHODES Keyboard Instruments U.S.A.

FOREWORD

Since its inception in 1965, the RHODES Piano has remained relatively constant in terms of design concept. However, there have been changes in the methods of achieving those design concepts.

Those concepts which have remained constant throughout the history of the RHODES are:

1. Method of Tone Production. As will be shown in detail, the Tone is produced by a series of modified tuning forks (one for each note) referred to as "Tone Bar Assemblies." Each such assembly lies adjacent to an adjustable Pickup. The Pickup Coils are all alike and are adjustable as to gap very much as are the points on the Distributor of an automobile. Because of the unique construction features, each note can be adjusted for Volume, Timbre and Pitch.
2. The Action. Consisting of only three moving parts, the Action is unique in design. While the structure and materials used have changed, the concept has remained unchanged.

This Manual has a two-fold purpose; one, as a maintenance and repair guide; and two, as a detailed description of the various vintage models together with instructions for upgrading and modernizing the various models wherever possible.

SECTION I

LATEST DESIGN RHODES PIANO



CHAPTER ONE
THE RHODES TONE SOURCE

The unique tone of your RHODES Piano derives from the principle of the tuning fork. While the common tuning fork has two legs of equal length and mass, the tuning forks in your RHODES Piano differ from these in one very important way (Figure 1-1). The two prongs of our tuning fork are not of the same mass, shape or size. They are alike only in pitch. The lower, more resilient leg (Tine) responds visibly to the blow of a Hammer by vibrating in a wide arc at a certain frequency.

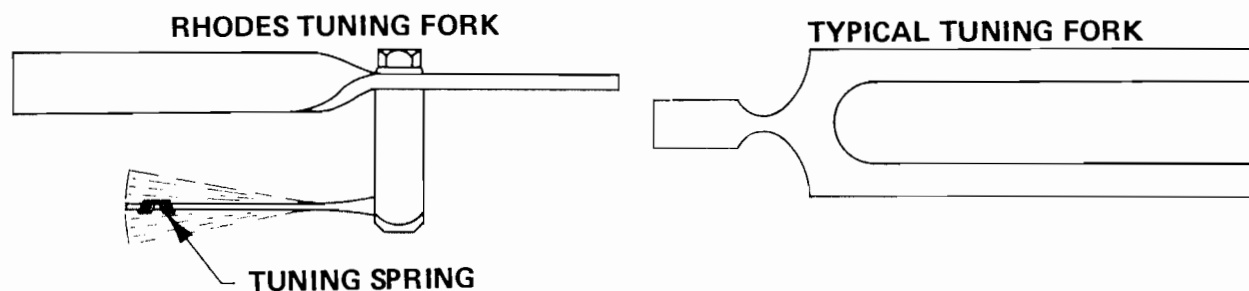


Figure 1-1. Tuning Fork Comparison

The upper leg (Tone Bar), while not so visible, does vibrate at the same frequency. The importance of this upper leg can easily be demonstrated by the following simple experiments.

1. Strike any note, preferably in the mid-range of the Piano. With the Sustain Pedal down, squeeze the upper leg with the fingers. The tone will die immediately.
2. Perform the same experiment, but this time touch the upper leg very lightly. The vibration will be distinctly felt under the fingers.

This patented concept of the tuning fork offers many advantages (Figure 1-2). One of these is that the upper leg (Tone Bar) supports some pitch variation in the lower leg (Tine). In other

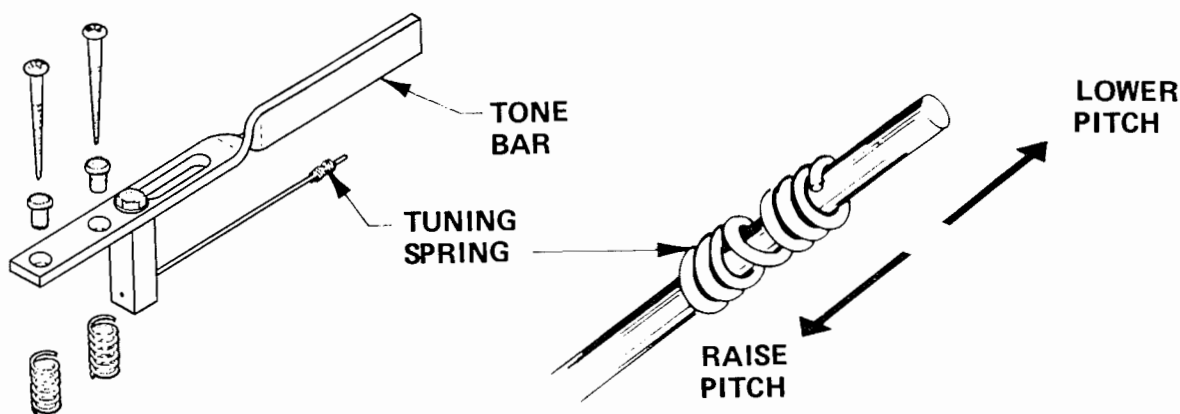


Figure 1-2. RHODES Tuning Fork

words, assuming G to be the target pitch, the lower leg could be deliberately tuned to F, F#, G, G# or A without any appreciable loss of support from the upper leg. This opens up a world of possibilities, as will be shown.

You will note a small coil Spring on the lower leg so designed as to be a tight fit. This coil Spring acts as a counter-weight and, therefore, as a pitch control. Moving this Spring will result in a change of pitch. By this means, then, it is possible to arrive at a fine tuning merely by sliding the Spring to the desired spot on the Tine. See Tuning Your RHODES Piano, Page 5-1.

The Tines in your RHODES Piano, like the strings of a guitar, are subject to breakage under stress. We here at the factory are constantly on the alert for ways to achieve the longest possible life in these as well as in all other component parts of your Piano. In actual tests, Tines picked at random have withstood in excess of 6,000,000 blows in a test machine. This machine is so constructed as to simulate actual playing conditions. Despite this, steel wire of even the finest quality, invariably has flaws along its surface. If these microscopically small flaws occur in a node point, they can become the point of eventual fracture. This is offered to explain the fact that, while one person's Piano may play for many years under constant use with no more than a couple or three broken Tines, another musician may experience a similar breakage within a shorter period of time.

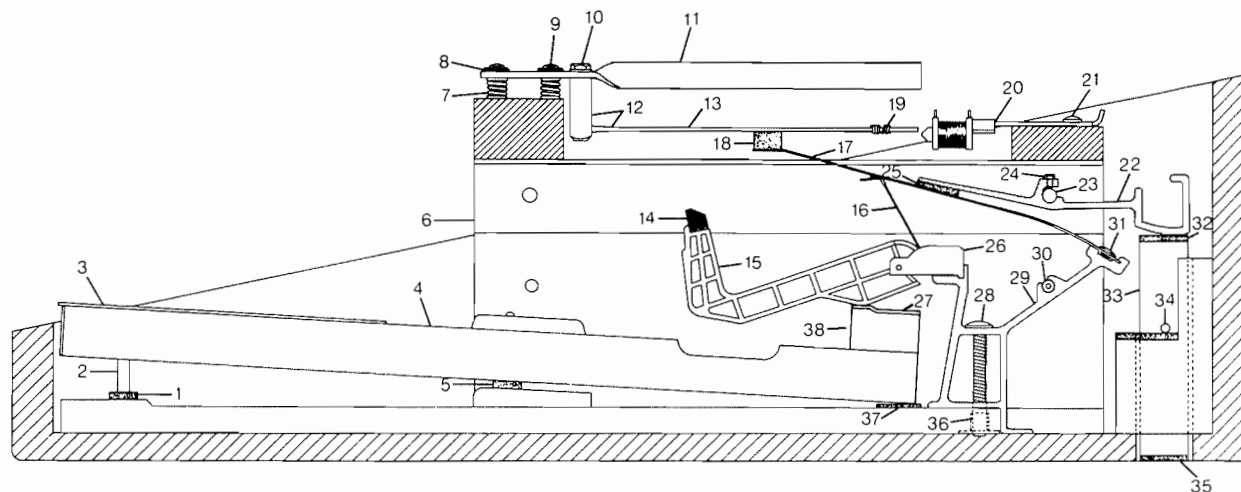
For reasons just described, the Tines cannot be covered in the general warranty of the Piano.

In anticipation of this, we have devised a simple procedure for replacement — one which the musician can perform in about the time it takes to replace a guitar string. Refer to Tone Generator Assembly Replacement Procedure, Page 6-1.

CHAPTER TWO
THE RHODES MODULAR ACTION

DAMPER RELEASE BAR

The Damper Release Bar (Figure 2-1, 22) provides a foot-activated mechanical means of disengaging all Dampers allowing all Tines to vibrate freely.



REFERENCE DESIGNATION

- | | | |
|---------------------------------------|--|--|
| 1. Front Guide Pin Felt | 15. Hammer | 28. Action Rail Mounting Screw |
| 2. Front Guide Pin | 16. Bridle Strap | 29. Action Rail |
| 3. Key Cap | 17. Damper Module | 30. Harp Support-To-Action Rail Mounting Screw |
| 4. Key | 18. Damper Felt | 31. Damper Module Mounting Screw |
| 5. Balance Rail Felt | 19. Tuning Spring | 32. Push Rod Assembly Top Felt |
| 6. Harp Support | 20. Pickup Assembly | 33. Push Rod Assembly |
| 7. Tone Bar Assembly Mounting Spring | 21. Pickup Adjustment Screw | 34. Push Rod Assembly Balance Pivot |
| 8. Tone Bar Assembly Mounting Grommet | 22. Damper Release Bar | 35. Push Rod Assembly Bottom Felt |
| 9. Tone Bar Assembly Adjustment Screw | 23. Damper Release Bar Pivot Pin | 36. Action Rail Mounting T-Nut |
| 10. Tone Generator Mounting Screw | 24. Damper Release Bar Pivot Pin Locking Screw | 37. Keybed Felt |
| 11. Tone Bar | 25. Damper Release Bar Felt | 38. Key Pedestal |
| 12. Tone Generator Assembly | 26. Multiple Hammer Flange | |
| 13. Tine | 27. Key Pedestal Felt | |
| 14. Hammer Tip | | |

Figure 2-1. RHODES Modular Action — Single Key View

The Damper Release Bar is locked in place by two Pivot Pins (Figure 2-1, 23) which slide into two bushed holes provided in the aluminum Harp Supports (Figure 2-1, 6). These pins are held in place by two locking Screws (Figure 2-1, 24).

DAMPER PUSH ROD ASSEMBLY

The Damper Push Rod Assembly (Figure 2-1, 33) is a short length of wooden dowel capped on each end with felt and held in place by a sleeve built into the back structure of the Piano housing. Forced upward by the thrust of the Sustain Rod, it, in turn, pushes upward on the back surface of the Damper Release Bar causing its leading edge to bear downward on all of the Dampers thus disengaging them from the Tines. With the Dampers thus released, all Tines are now free to vibrate sympathetically with the struck tones as is the case with an acoustic piano. The difference becomes apparent when a comparison is made between the resultant sound of a chord where only those Dampers involved with a particular chord are released and then the sound of the same chord when all Dampers are released.

1. The Damper Push Rod, in its rest position, should bear solidly against the back surface of the Damper Release Bar. An ideal setting would be that where all play between the Damper Release Bar and the Damper Arms is removed. This can be accomplished by adding felt either to the top of the Push Rod or to the mating surface of the Damper Release Bar. Extreme care should be exercised to avoid possible disengagement of the Dampers. Conversely, it can be seen that excessive play or lag in the linkage will result in a loss of touch sensitivity by the foot.

2. SUITCASE PIANO ONLY:

In its rest position, the bottom surface of the Push Rod should be reasonably flush with the outer surface of the bottom of the Piano. There is a slot on the top surface of the Sustain Rod providing screw-driver adjustment on the top of the Amplifier Enclosure.

DAMPER MODULE

The Damper Arms are now provided in fixed multiples of twelve known as Damper Modules (Figure 2-1, 17). This change was made to preclude the possibility of side shift in shipping and is the epitome of simplicity. It consists of tempered aluminum stamped into Modular configurations to accommodate the Damping requirements in Bass, Mid and Treble ranges (Figure 2-2).

The Bass Damper Module is shortest with full width Arms to provide the strength and tension needed to properly damp the long Tines in the Bass area. Progressing up the Keyboard to the Treble, the Tines become shorter and therefore the Damper Modules are designed to

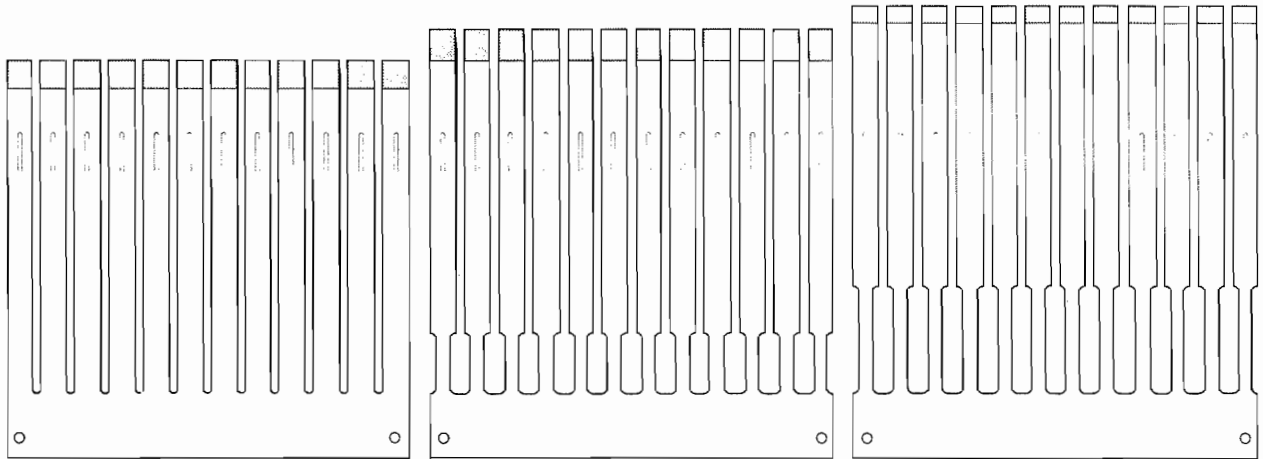


Figure 2-2. RHODES Damper Modules — Bass, Mid & Treble Configurations

provide graduated strength and tension according to the need throughout the range of the Keyboard. In keeping with the various damping requirements, the Damper Felts as well are designed to accommodate the three areas — the Bass with long, wide Felts; the Middle with Felts of medium length and width; and the Treble which uses short, narrow Felts.

ACTION RAIL

With the Damper Release Bar and the Damper Modules removed, the new Action Rail (Figure 2-1, 29) is revealed to be a sturdy, extremely accurate aluminum extrusion.

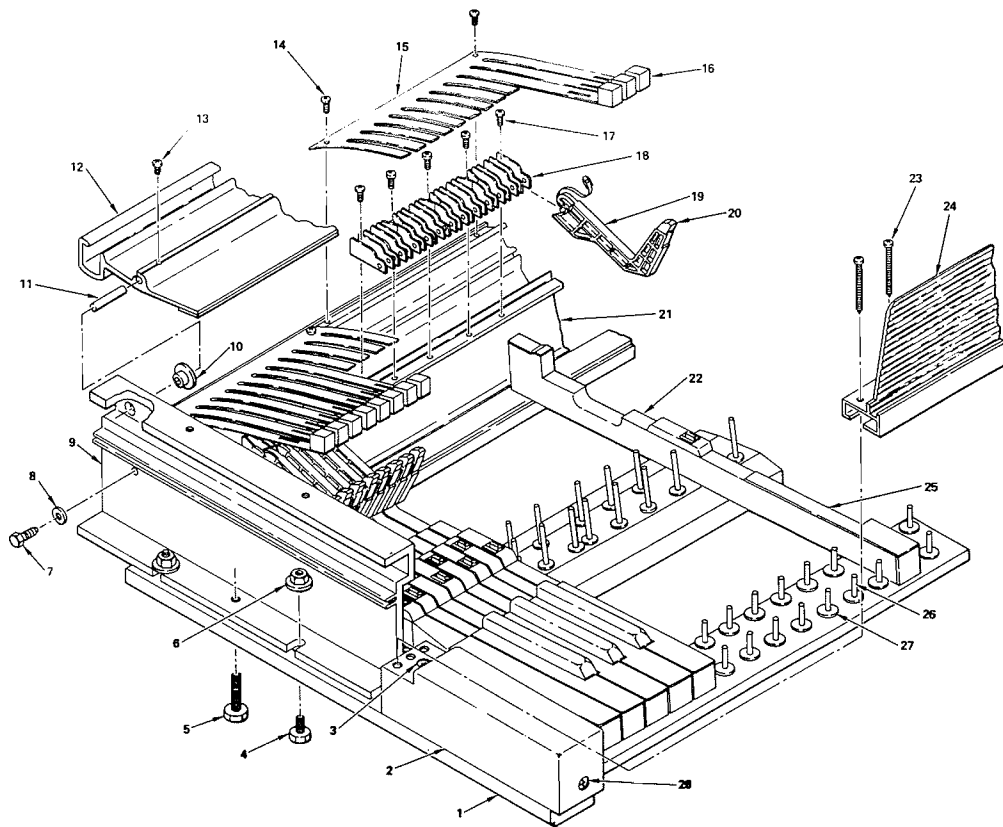
HARP SUPPORTS

The new Harp Supports (Figure 2-3, 9) are fabricated from heavy aluminum extrusions sturdy enough to hold the assembly in place undamaged by a direct six-foot drop.

MULTIPLE HAMMER FLANGE

The Hammer Flange (Figure 2-3, 18) is molded in multiples of twelve. This also was redesigned in this manner to preclude the possibility of side shift in shipping.

It should be noted that the Multiple Flanges are molded of a hard A. B. S. material with a 15% teflon content, thus providing lifetime lubrication.



REFERENCE DESIGNATION

- | | | |
|---------------------------|--------------------------|------------------------|
| 1. Keybed | 11. Damper Release Bar | 21. Action Rail |
| 2. Cheekblock | Pivot | 22. Key |
| 3. Cheekblock Rear | 12. Damper Release Bar | 23. Nameboard Mounting |
| Mounting Screw | 13. Pivot Mounting Screw | Screw |
| 4. Harp Support Mount- | 14. Damper Module | 24. Nameboard |
| ing Screw | 15. Damper Module | 25. Key Cap |
| 5. Keybed Mounting Screw | 16. Damper Felt | 26. Guide Pin |
| 6. Captive-Washer Mount- | 17. Hammer Flange | 27. Guide Pin Felt |
| ing Nut | 18. Multiple Hammer | 28. Cheekblock Front |
| 7. Harp Support-to-Action | Flange | Mounting Screw |
| Rail Mounting Screw | 19. Hammer | |
| 8. Washer | 20. Hammer Tip | |
| 9. Harp Support | | |
| 10. Nylon Pivot Bushing | | |

Figure 2-3. RHODES Modular Action — Exploded View

CHAPTER THREE

INSTRUCTIONS FOR DISASSEMBLY

Access to the specific areas for needed adjustments or repair is easily accomplished by following the procedures outlined here.

1. Harp Cover Removal

The Cover is formed of A. B. S. material and is practically impervious to damage. To remove, lift up on the two back corners of the molded top. With this done, simply pull the front edge free.

2. Nameboard Assembly Removal

Disconnect Harp Cable from Harp Jack. With a #2 Phillips Screwdriver, loosen and remove the four (4) screws which mount the Nameboard to the Cheekblocks (two (2) of which are found behind the Nameboard on each end). After removing screws, lift Nameboard Assembly up and away.

3. Harp Assembly Removal

The Harp Assembly (Figure 3-1) consists of three major assemblies: The Harp Frame, the Tone Bar Rail and the Pickup Rail.

The Tone Bar Rail and the Pickup Rail are seated into the Harp Frame and secured by fourteen (14) Mounting Screws. Two metal Harp Brackets are then mounted to join the two.

The Harp Assembly is secured to the two aluminum Harp Supports by four (4) Screws (two (2) on each end) as well as the Harp Pivot Links located on each end. Complete removal of the Harp, then, is accomplished by removing the four Mounting Screws as well as the two Screws which secure the Harp Pivot Links.

4. Damper Release Bar Removal

The Damper Release Bar (Figure 2-3, 12) is secured to the aluminum Harp Supports by two removable Pivot Pins (Figure 2-3, 11).

- a. Loosen one Screw (Figure 2-3, 13) on either end of the Damper Release Bar.
- b. With a small flat-blade screwdriver, slide the Pivot Pin out from the Damper Release Bar through the Nylon Bushing (Figure 2-3, 10) in the Harp Support (Figure 2-3, 9).

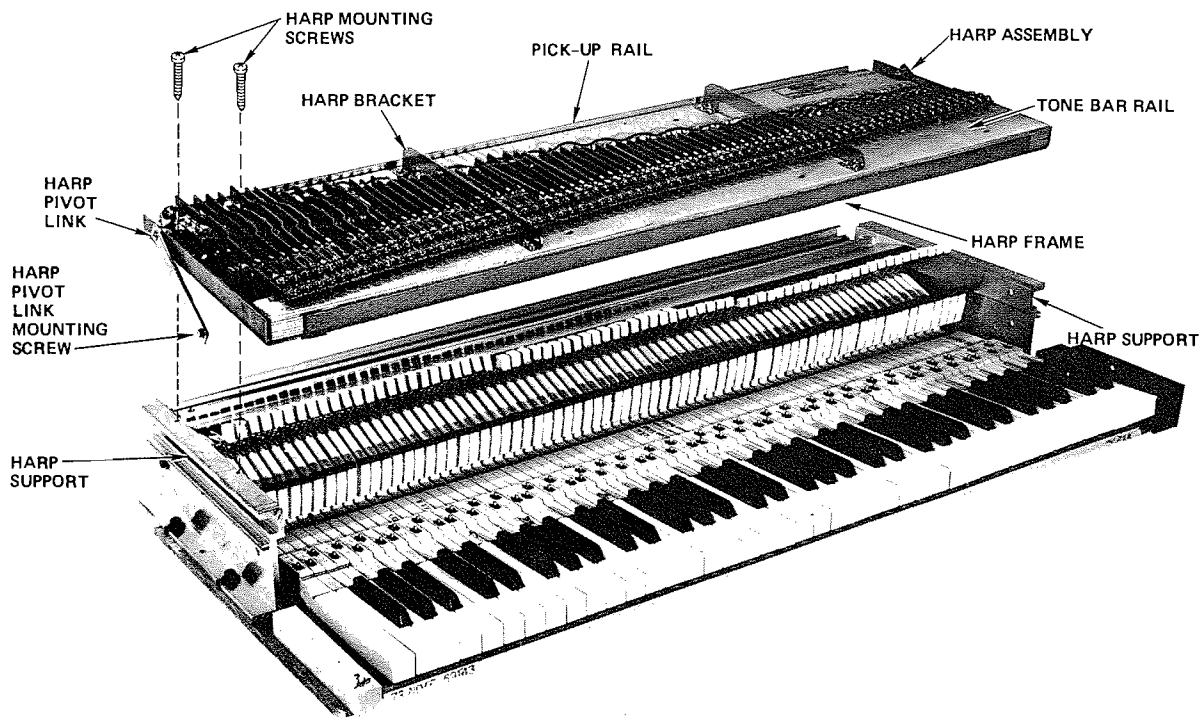


Figure 3-1. RHODES Harp/Action Assembly — Exploded View

- c. Slide the entire Damper Release Bar loose from the Bushing in the other Harp Support.

Removal of the Damper Release Bar is required in order to reach the Damper Modules for adjustment or removal.

5. Damper Module Removal

- a. Remove Damper Module Mounting Screws.
- b. Carefully push down on each Damper Arm with one hand and gently pull Bridle Strap forward with the other hand so as to slide Bridle Strap away from the formed tongue in the Damper Arm without causing damage to the tongue.
- c. Pull Damper Module out of detent lip in Action Rail.

6. Hammer Removal

It is not necessary to unscrew or displace any of the supporting structures to remove a Hammer. Hold the Hammer Head with the thumb and index finger then rotate either left or right while at the same time twisting on the vertical axis until the protruding ear (pin) pops out of the Hammer Flange. Then, simply lift out, exercising care to ease the Bridle Strap off the Damper Arm Tongue.

7. Removal of Keyboard Assembly from Cabinet

CAUTION

This procedure should be accomplished with the Nameboard Assembly mounted to prevent the Keys from falling out.

Stage Piano

- a. Position the Piano so that the Keys are pointing up with the bottom surface of the Cabinet facing you (Figure 3-2).

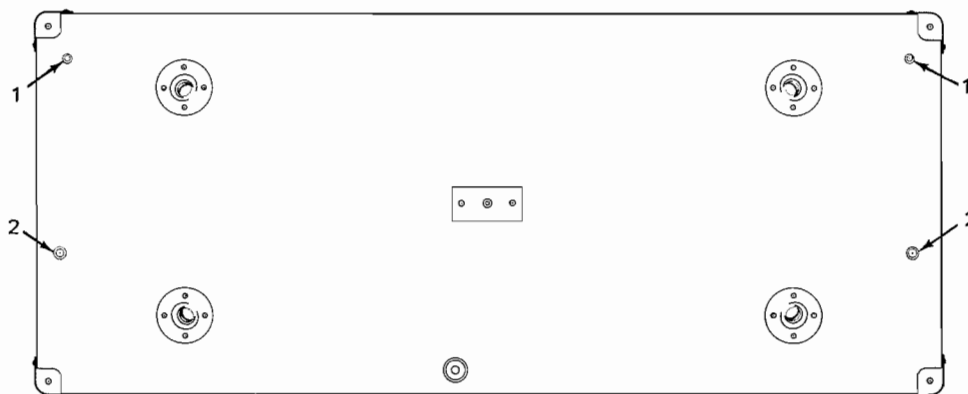


Figure 3-2. RHODES Stage Piano — Bottom View

CAUTION

Before proceeding with Step b., support the Keybed with one hand to prevent the Keybed from falling out when the Mounting Screws are removed.

- b. Using a #2 Phillips Screwdriver, remove the two Screws (Figure 3-2, 1) which secure the Cabinet to the Cheekblock cleat on the Keybed.
- c. Remove the two large Screws (Figure 3-2, 2) which mount the Keybed to the Cabinet.

- d. Place Piano on its bottom surface and remove Keyboard Assembly by lifting out of Cabinet.

Suitcase Piano

Proceed as with a Stage Piano, again observing the CAUTION on the previous page, following Steps a, b, and c. In addition, since the bottom surface on the Suitcase Piano is of a thinner plywood than the Stage Piano, the four Glides (Figure 3-3, 1) must be removed as well. Proceed with Step d.

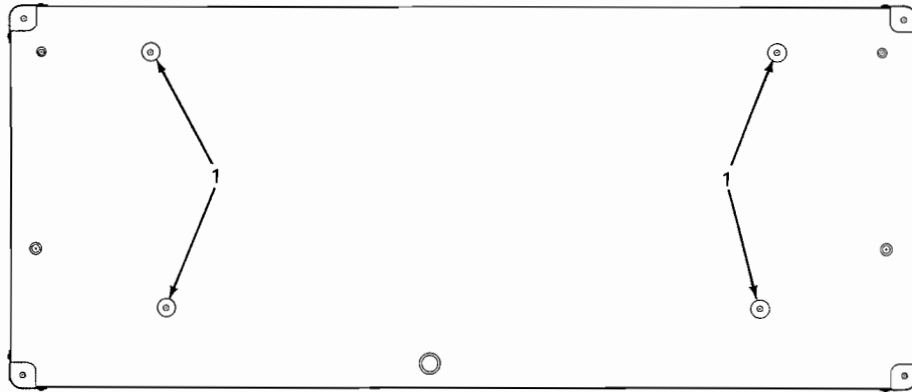


Figure 3-3. RHODES Suitcase Piano Top - Bottom View

8. Action Rail and Harp Support Removal

NOTE

The Action Rail is securely locked to both Harp Supports by means of the Harp Support-To-Action Rail Mounting Screws. While these Screws can easily be removed, it is suggested that the two Harp Supports and the Action Rail be maintained as a 3-piece Assembly.

- a. Place the Keyboard on its bottom surface as in a playing position.
- b. Remove the Captive-Washer Nuts that secure the Harp Supports to the Keybed.
- c. Exercising care not to lose the T-Nuts from the under side, remove the Action Rail Mounting Screws.
- d. Grasp the Action Rail with both hands and lift off the three-piece assembly.

9. Harp Support Removal

- a. Disassemble Piano as outlined through 7. b.
- b. Remove the Harp Support-To-Action Rail Mounting Screws.
- c. Lift Harp Support up and away from Action Rail.

10. Cheekblock Removal

This operation is accomplished by removing both the front and rear Cheekblock Mounting Screws.

11. Key Removal

After removing the Nameboard Assembly, simply lift up on the front of the Key to free it from the front and center Guide Pins, then pull the Key out from under the Hammer.

CHAPTER FOUR
DIMENSIONAL STANDARDS AND ADJUSTMENTS

This chapter deals with the important dimensional standards for maximum performance of your RHODES Piano and adjustments available to maintain that performance.

1. Key Dip. The distance of downward travel of the Key Front (Figure 4-1, 1) is called "Key Dip." This dimension should be $\frac{3}{8}'' \pm \frac{1}{32}''$, that is, from $\frac{11}{32}''$ to $\frac{13}{32}''$ (9.525 ± 0.794mm or 8.731mm to 10.319mm).

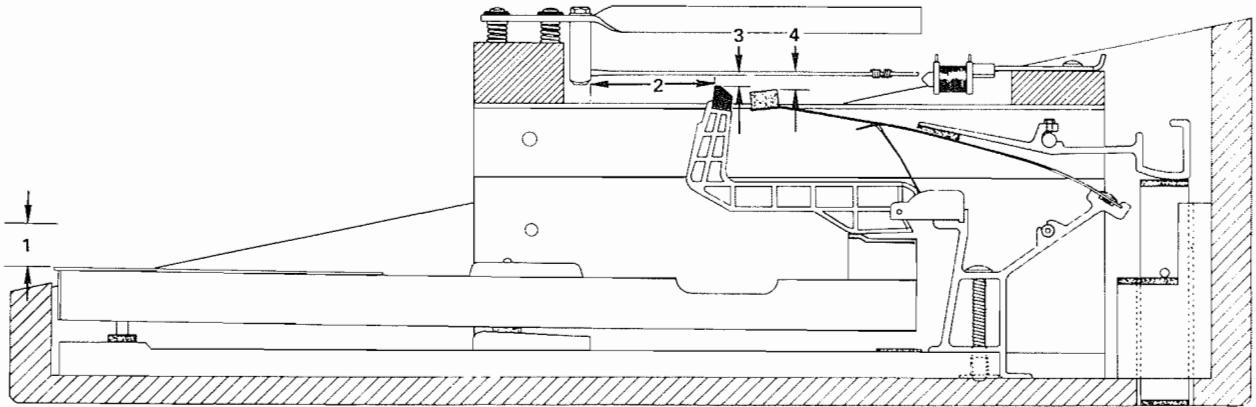


Figure 4-1. RHODES Modular Action — Single Key Depressed

CAUTION

When Key Dip is changed, reestablishment of Escapement and Striking Line is required.

2. Escapement. The gap remaining between the Hammer Tip and the Tine (Figure 4-1, 3) with the Key depressed is called "Escapement". This Dimension varies from the extreme Bass (left) Tone Bar to the extreme Treble (right) Tone Bar and should be as follows (Figure 4-2).

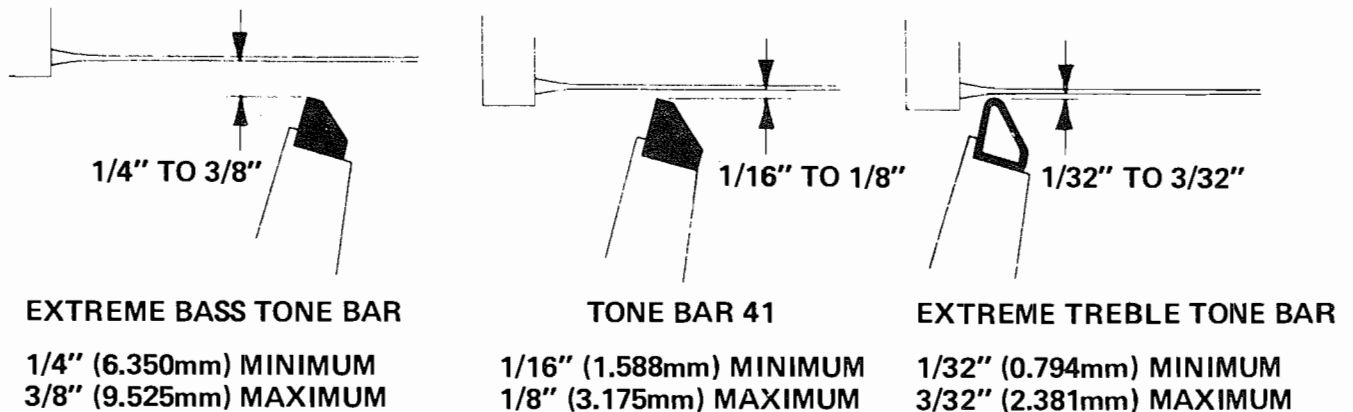


Figure 4-2. Escapement Distances

The philosophy behind this variation is that while the ideal Escapement for the most responsive touch is 1/32" (0.794mm), the whipping action of the Tine in response to the Hammer blow increases as it becomes longer toward the Bass end of the Keyboard making this ideal setting impossible.

In order to maintain touch sensitivity through Escapement variation, the Neoprene Hammer Tips are graduated in height as well as hardness from extreme Bass through extreme Treble.

There are presently five gradation of hardness in the Hammer Tips and therefore, corresponding height differences. They are:

<u>Hammer Tip Number</u>	<u>Durometer Reading (Hardness)</u>	<u>Height</u>
1 through 30	30	1/4" (6.350mm)
31 through 40	50	5/16" (7.938mm)
41 through 50	70	3/8" (9.925mm)
51 through 64	90	7/16" (11.112mm)
65 through 88	Wrapped (extra hard)	7/16" (11.112mm)

As is apparent from the above chart, there is a 1/16" (1.588mm) height increase from one Hammer Tip section to the next, except in the extreme Treble area, or 3/16" (4.762mm) overall Hammer Tip height increase from Bass to Treble (left to right).

The precise change points of the Hammer Tips are subject to individual taste. While the factory settings are listed above, some musicians prefer to continue the Tips of the 90 durometer clear up to Hammer Number 67 or beyond. This is done to avoid the sharp change in tone characteristics experienced as a result of the difference in Tip hardness. This provides further opportunity for customizing in accordance with individual taste.

A quick glance at Figure 4-3 will reveal that there are two ways of achieving a fine, custom adjustment of the Escapement Distances.

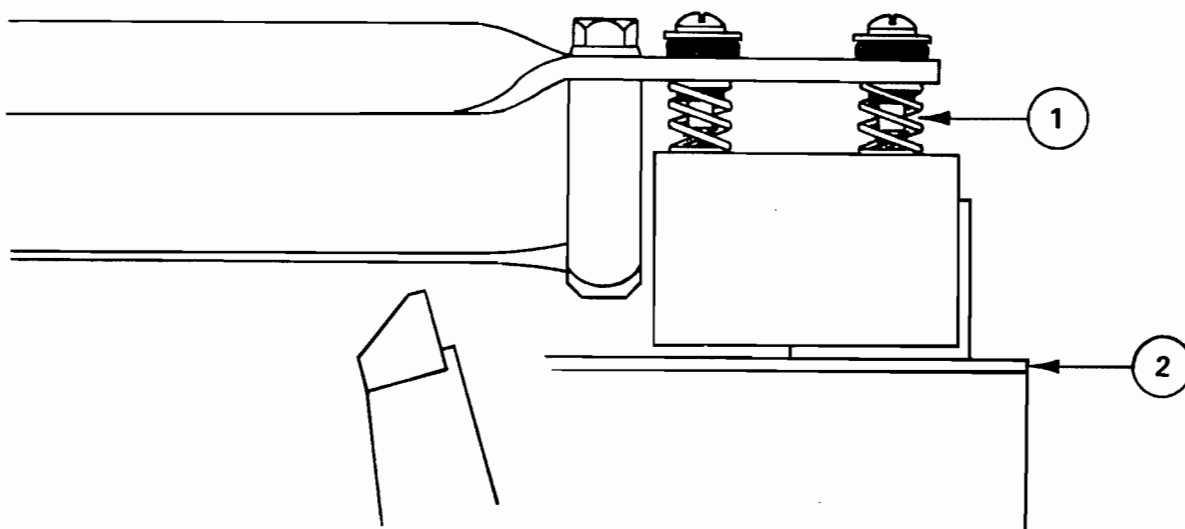


Figure 4-3. Escapement Adjustment Locations

- a. Each of the Tone Bar Assemblies is separated from the Tone Bar Rail by two adjustable coil Springs. By means of these, the height of each Tone Bar Assembly can be raised to 1/2" (12.700mm) or lowered to 3/16" (4.762mm) – factory setting is 3/8" (9.525mm). From Figure 4-4 it can be observed that this adjustment increases or decreases the Escapement Distance.

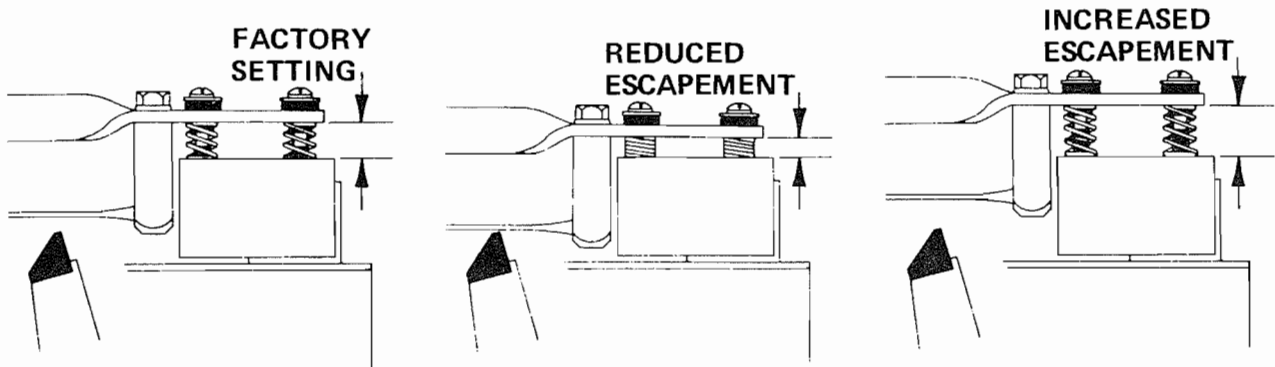


Figure 4-4. Adjustment Location 1

NOTE

Any major change of adjustment by this means requires re-alignment of Timbre, Volume and Damper Settings.

- b. Adding or subtracting shims from the Harp Supports (Figure 4-3, 2) should be resorted to ONLY for the purpose of establishing Escapement at the extreme Bass (left) Tone Bar (1/4" minimum to 3/8" maximum) (6.350mm minimum to 9.525mm maximum) and the extreme Treble (right) Tone Bar (1/32" minimum to 3/32" maximum) (0.794mm minimum to 2.381mm maximum).

Having been introduced to the adjustments available to you in achieving the best Escapement settings for optimum touch response, you should strive to tailor the Escapement settings in accordance with the particular style of play employed by the person who plays the Instrument. A sensitive musician will be looking for extremely close settings in the Mid- and Upper-range. A musician who plays heavy, strong octaves in the Bass area will require even greater Escapement distances in the left hand area. Thus, you now have the tools to customize the action to the individual tastes and needs of the musician.

3. Damper Clearance. Although the Bridle Strap is part of the Hammer Assembly, it functions as an integral part of the Damper System. It is designed to engage a "Hook" which is formed into the arm of the Damper Module at approximately its mid-point. As the Hammer swings upward, the Bridle Strap pulls the Damper Arm downward thus disengaging the Damper Felt from the Tine. As the Hammer Tip strikes the Tine,

the Damper is at the point of maximum Clearance (Figure 4-1, 4) allowing the Tine to vibrate unimpeded. Damper Clearance should be 3/8" to 1/2" (9.525mm to 12.700mm).

4. Damper Module Adjustment. The Damper Module is subject to easy adjustments. With the Hammer in its rest position, the Damper Felt (Figure 2-3, 16) should bear against the Tine sufficiently firm so that the sound will be damped immediately following the Hammer blow. Conversely, the Damper ideally clears the Tine by at least 3/8" to 1/2" (9.525mm to 12.700mm) when the Key is depressed.

To maintain this relationship, there are two adjustments possible.

- a. Tension. Each Damper Arm is actually a Leaf Spring. Tension can be increased or decreased by "ironing" a slight curve in the part with your two fingers. Another way is to pull upward or downward on the arm at Point "A" (Figure 4-5). Added tension will result in a stiffer Damper response.

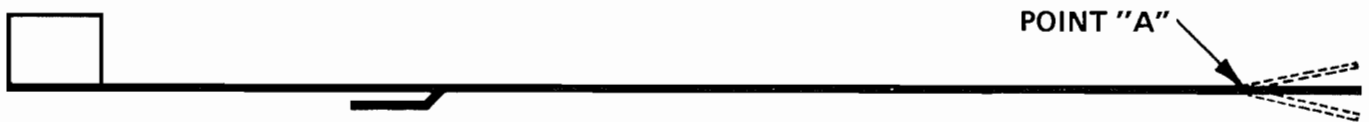


Figure 4-5. RHODES Damper Arm — Tension Adjustment

- b. Alignment. With Tension thus established, proper Damper coordination is achieved by bending the forward portion of the Damper Arm up or down (Figure 4-6).



Figure 4-6. RHODES Damper Arm — Alignment Adjustment

There are four possible conditions which could result in malfunction.

CONDITION	SOLUTION
The Tine is out of adjustment in its vertical aspect (Escapement).	The factory setting places the Tines slightly above dead center of the Pickup. See Timbre Adjustment, Page 4-7.

CONDITION

SOLUTION

The Damper Release Bar is bearing down excessively, thus disengaging or partially disengaging the Damper from the Tine.

See Damper Push Rod Assembly, Page 2-2.

The Damper Arm has sustained damage sufficient that it no longer bears firmly against Tine (Tension).

Remove Damper Release Bar and disengage Bridle Strap. With Damper Arm thus free, note if it assumes a position similar to the neighboring Arms. If so, bend upward slightly on the surface nearest the point where it is mounted to Action Rail. The aluminum is of an alloy purposely chosen to invite this type of adjustment. Caution should be exercised to avoid excessive correction which would result in some loss of touch control due to the strong resistance thus introduced in opposition to the upward travel of the Hammer.

Vintage Vibe
9 Everment Rd.
Wharton, NJ 07885
917-880-9763
www.vintagevibe.com

The leading edge of the Damper has been bent downward. The leading edge referred to is that portion of the Damper Arm which extends forward from the Bridle Strap tongue and thus actually provides adjustment possibilities in terms of higher or lower setting of the Damper Felt (Alignment).

With Bridle Strap in place and having determined that none of the first three conditions exist, notice whether the particular Damper Felt is in approximate vertical alignment with the neighboring Felts. If not, with the fingers of two hands, bend this portion of the Damper Arm upward while exercising care that in doing so, you do not disturb the configuration of the back portion of the Damper Arm, and thus inadvertently introduce the previous condition.

5. Striking Line. "Striking Line" is the term used to describe the best place along the length of each Tine to aim the striking edge of the Hammer. Like the "sweet spot" of a baseball bat, there is a point of maximum response. This was determined by a painful trial process and resulted in the precise curve given to the Tone Bar Rail.

Proper Striking Line is assured by setting the Harp in such a way as to arrive at an approximate dimension of 2-1/4" (57.150mm) between the leading edge of the Hammer Tip and the leading edge of the Tone Generator (Figure 4-1, 2). This dimension should be taken at the extreme Bass (left) Tone Bar. At the extreme Treble (right) Tone Bar, this dimension is approximately 1/8" (3.175mm).

RE-ESTABLISHING STRIKING LINE

1. Remove the Harp/Keybed Assembly from the Cabinet following procedures outlined in Chapter Three.
2. To re-establish proper Striking Line, remove two (2) Harp Mounting Screws (Figure 4-7) on the Bass (left) side of the Harp and one (1) Harp Mounting Screw on the Treble (right) side of the Harp located closest to the Keys. Loosen but do not remove the remaining Screw. In addition, remove one (1) Harp Pivot Link Mounting Screw on the Bass (left) side of the Harp which attaches the Harp Pivot Link to the thread-grooved slot formed in the side of the Harp Support.

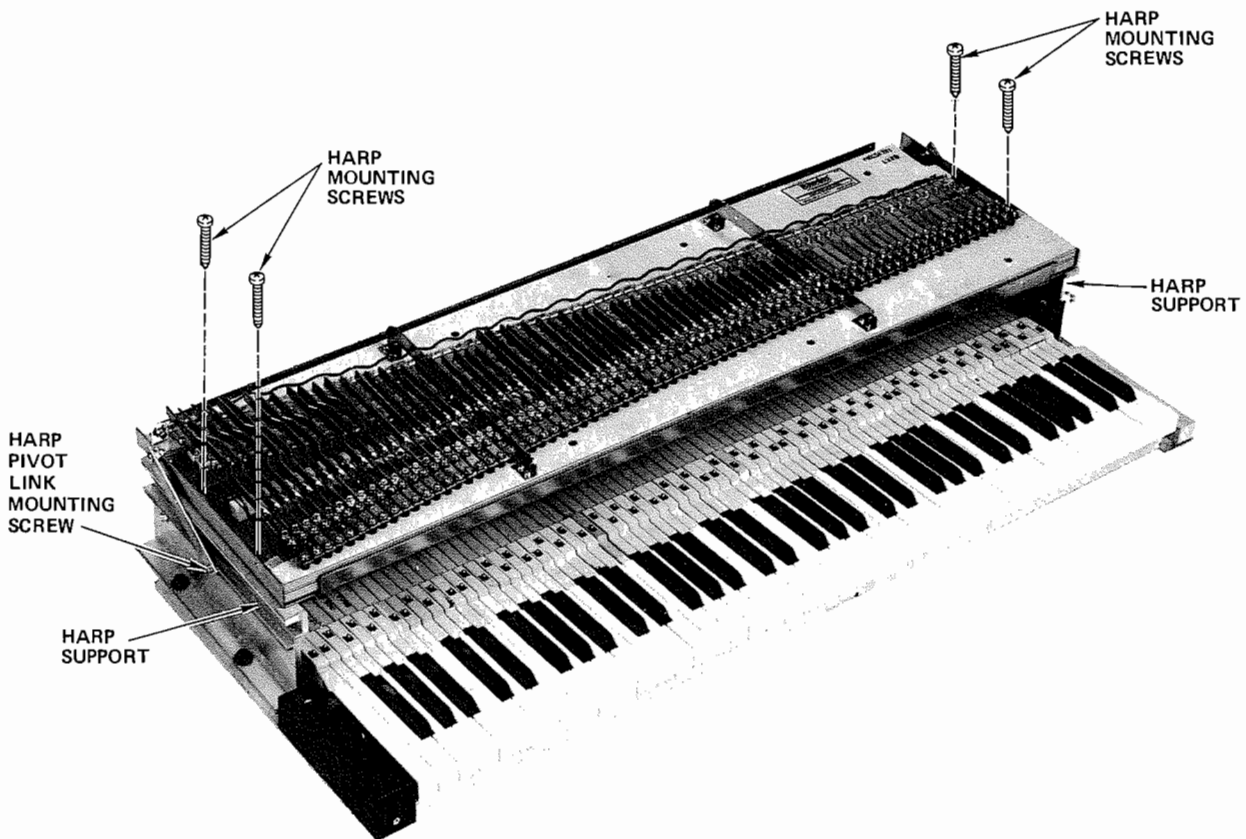


Figure 4-7. RHODES Harp/Action Assembly

3. While striking Middle C, slide the Bass (left) side of the Harp forward and back until ultimate tone clarity and volume response is achieved. Move on to F below Middle C then to C below Middle C following the same procedure. Because of the precise curve of the Harp, when these three notes satisfy your ear, all others will be within tolerable limits.

4. When the new Harp location has been established, use extra holes provided or sink new holes through the steel Harp Frame and through the top surface of the aluminum Harp Supports using a #7 drill. Secure the Harp by re-installing the Harp Mounting Screws.
5. Attach the Harp Pivot Link by re-installing the Harp Pivot Link Mounting Screw along the thread-grooved slot on the side of the Harp Support.
6. Mount the Harp/Keybed Assembly in the Cabinet by reversing the disassembly procedure outlined in Chapter Three.

TIMBRE ADJUSTMENT

Timbre Adjustment is accomplished by manipulating the Timbre Adjustment Screw (Figure 2-1, 9) until the end of the Tine rests on a plane slightly above dead center of the Pickup (Figure 4-8). Let your ear guide you in this procedure.

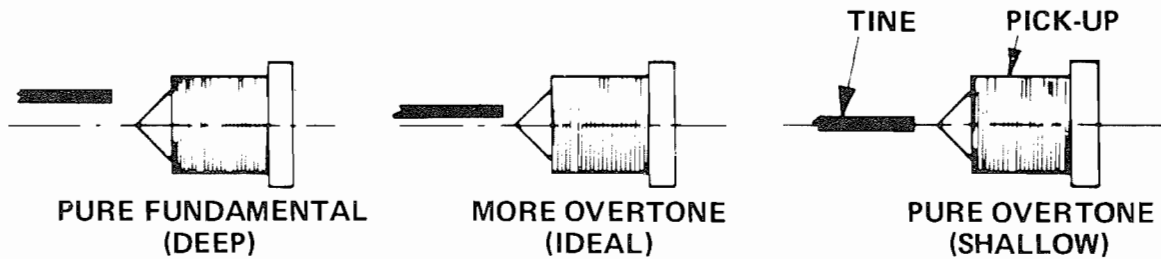


Figure 4-8. Timbre Adjustment Diagram

VOLUME ADJUSTMENT

Slide Pickup Arms in or out to establish a gap between Pickup and Tine of between 1/16" (1.588mm) and 1/8" (3.175mm) as shown in Figure 4-9.

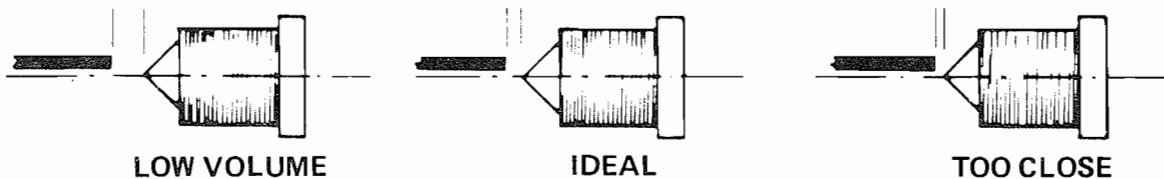


Figure 4-9. Volume Adjustment Diagram

It should be noted that the smaller the gap between Tine and Pickup, the greater the volume of sound. More important — the more pronounced the DYNAMIC RESPONSE.

By Dynamic Response is meant “percentage of volume increase in response to increased weight of touch.” In Pianos built since March 1972, a gap of 0.020” (0.5080mm) can be accommodated in the middle and upper ranges.

NOTE

When Timbre and Volume Adjustments are made, Pitch should be re-established. See TUNING THE RHODES PIANO, Page 5-1.

CHAPTER FIVE

TUNING THE RHODES PIANO

Generally speaking it can be said that the Piano will not “go out of tune”. Certainly it does not go generally out of tune over the entire Keyboard as does the traditional string piano.

What may happen is that one or more notes may go out of tune because of a loose Tuning Spring or as a result of Tine fatigue under the stress of constant heavy blows. Under these conditions tuning simply requires pitch comparison with the tone an octave below and shifting of the Tuning Spring until pitch alignment is achieved. In the case of extreme Tine fatigue, the Tine should be replaced.

An extremely helpful feature is the easy removal of the Tone Generator Assembly (Tine portion) from the Tone Bar by unscrewing the Tone Generator Mounting Screw; thus, should a Tine become damaged for any reason, replacement will be easy and inexpensive. Replacement Tone Generator Assemblies are available in Kit form, with the Tine 4-3/8 inches (111.125mm) in length. This length Tine will accommodate the “Heavy Traffic” area where the highest incidence of fatigue and breakage is likely to occur. These can be cut to desired length with a pair of side-cutters. For detailed removal and replacement procedures, refer to Chapter 6, Page 6-1.

On each Tine there is a crimped coil Spring so fitted that it can be moved by hand with some effort (Figure 5-1). By design it fits tightly enough to resist normal stresses. Ideally, it remains fixed firmly in place unless deliberately moved.

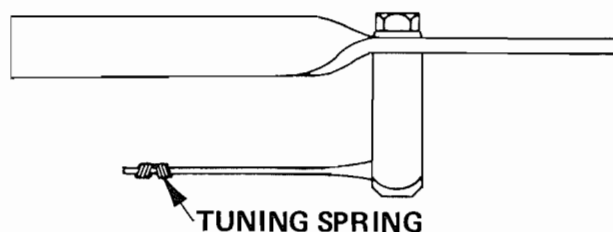


Figure 5-1. RHODES Tone Bar Assembly

This Spring acts as a counter-weight and thus provides a vernier control of pitch. Moving it outward, away from the fixed end of the Tine, will cause a drop in pitch. Conversely, moving it inward, toward the fixed end of the Tine, will cause a rise in pitch. The total range thus achieved could be as much as 1-1/2 steps above or below optimum.

Theoretically and ideally, once set, the pitch remains unchanged until deliberately altered by purposed relocation of the Tuning Spring (counter-weight). Pitch control by this means is not

as difficult a task as with a standard piano. The novice is invited to test his skill by taking the following steps.

1. Remove the Harp Mounting Screws and rotate the Harp to a vertical position (Figure 5-2).

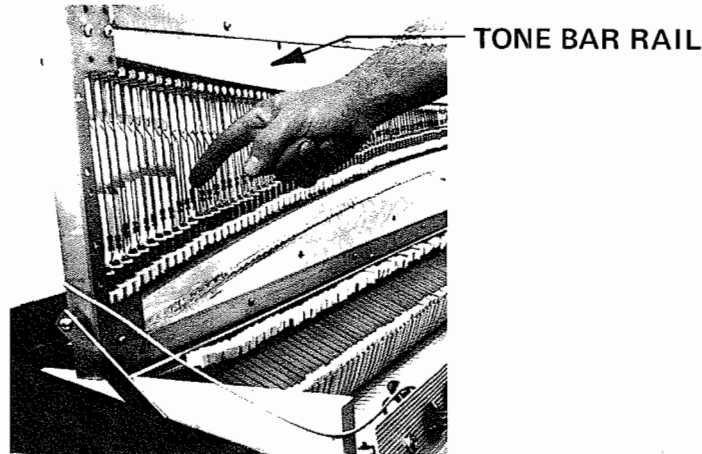


Figure 5-2. Harp Position For Tuning The RHODES

2. Mark the letter names of the Tone Bars on the Tone Bar Rail.
3. With the amplifier and speaker on and volume up, pluck the Tine at Middle C with the finger of the right hand. At the same time, pluck C an octave below Middle C with the left hand.
4. Move the Tuning Spring at Middle C slightly upward so as to cause a slight rise in pitch.
5. As you continue to pluck both Middle C and C an octave below, slowly slide the Spring back.
6. As you do this, you will observe the following phenomenon. As the upper C approaches synchronization with the low C you will notice a beat. As the middle C approaches maximum synchronization the speed of the beat will reduce.
7. Continue this process until there is no longer a discernable beat. Repeat this entire procedure several times until you become familiar with the technique. With some practice you should be able to restore pitch synchronization within five seconds.

8. Proceed up and down the Keyboard precisely as you would with a string piano. The job will be much easier in this case since there will be no need to tune unisons.

ELECTRONIC TUNING

There are several brands of electronic tuning devices on the market. Most of these operate roughly on the principle of the strobe light. There is a spinning disk, the speed of which is accurately calibrated. A control knob allows for scale tone changes. Assuming you set the control dial at C, there is a microphone which "hears" the pitch of the Bar you are tuning. Its vibrations are interpreted as flashes of light. These in turn are superimposed on the spinning disk. If the two are in synchronization, the wheel will appear to be stopped. If the Tone Bar is high in pitch, the wheel will appear to rotate clockwise, etc. Moving the Tuning Spring downward will slow the speed of the Tone. This will cause the strobe wheel to slow its movement until finally, when your adjustment is correct, the wheel will stop, indicating that the Bar is "in tune".

The various electronic devices have another feature — some are more sophisticated than others. It is a deliberate and controllable means of calibrating the entire mechanism with reference to the 60 cycle signal coming from the electrical outlet. With calibration thus achieved and with the control dial set at Zero, the machine supposedly is now set at A440. This is a standard arbitrarily determined as an international standard and means merely that A above Middle C will vibrate at precisely 440 vibrations per second. Because of such a standard, it is possible to tune an instrument in California with reasonable assurance that it will be "in tune" with a piano in New York. Or, that 24 pianos delivered to a school as a "lab" will all arrive tuned alike.

Certain musicians will demand a more sensitive tuning than what would be the result if the tuning machine were set at A440 for the duration of the entire tuning procedure. This brings up a term known as "Stretch Tuning".

STRETCH TUNING

Stretch tuning is a procedure widely followed by the piano tuning profession. It recognizes a phenomenon of the human ear whereby tones in the upper range of a keyboard will sound "flat" even though they are calibrated with extreme precision. Fortunately for all, a consensus has long since been agreed upon as to the exact amount of stretching. A piano so tuned creates the impression of great tonal brilliance. Preliminary to a description of stretch tuning, a bit more basic information is in order.

For the purpose of standardization, the word "semitone" is used to describe the difference in pitch between any tone and the tone $1/2$ step above. One one-hundredth part of a semitone is called a "cent". Thus, to raise a certain tone "one cent" is to raise it from its original A440 setting by one one-hundredth of a semitone.

All electronic tuning devices make use of this standard and have a dial by which the technician can deliberately change the basic setting of a given tone by as many "cents" above or below a given optimum as he chooses, merely by altering the setting on the dial of his tuning device (Figure 5-3).

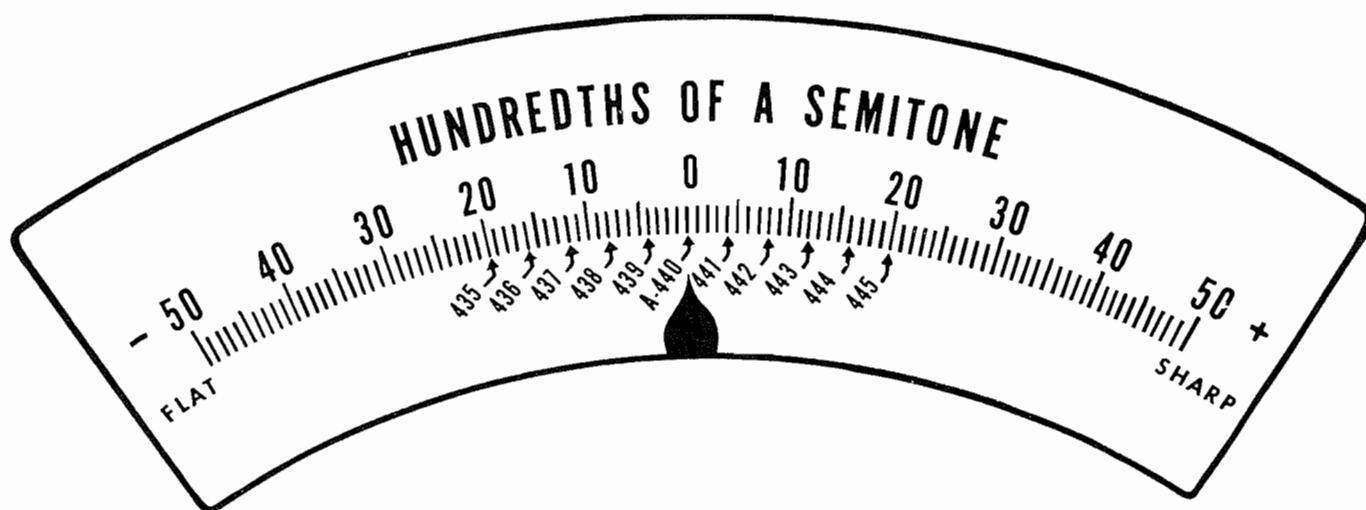


Figure 5-3. Typical Dial — Electronic Tuning Device

Armed with this standard, it now becomes possible for the technician to plot with precision the exact degree of stretch and to achieve exact synchronization of tuning between two instruments even though one may be tuned in New York and the other in California.

"Stretch Tuning", as described here, means the deliberate and precise raising or lowering in pitch of a given range of tones along the scale by one or more "cents" according to a pre-determined standard.

NOTE

RHODES Pianos are not stretch tuned at the factory.
Instead, they are tuned to equal temperament.

The schedule offered here is a carefully determined approximation. This schedule is the result of the collective tuning experience of a great number of qualified concert tuners.

Since this is an approximation, deviation from this in qualified hands is certainly allowable. However, with the tools just described, it is also possible to plot with equal precision the exact degree of deviation decided upon. The end result then, will be that two pianos so tuned will synchronize with such precision as to play together as one.

To ease your work in following this schedule, it is suggested that you mark with a pencil on the Tone Bar Rail the exact place where the basic setting changes and the number of "cents" change dictated by the chart (Figure 5-4, Page 5-6).

How to Follow the Chart

Typical procedure might be as follows:

First, calibrate your tuning machine in accordance with Manufacturer's instructions, making sure that the arrow is set on Zero. Next, tune A above Middle C. Follow with A#, B, C, C# and D. Observing your Chart, you will notice that the next tone, D#, is supposed to be tuned 1 Cent sharp. So, turn the dial on the tuning machine one one-hundredth of a Semi-tone (1 Cent) sharp. Now continue tuning D#, E, F, F#, and G. Again, observing your Chart, notice that the next tone, G#, is supposed to be tuned 2 Cents sharp. So, again, re-set the dial on your tuning device. This time set the dial two Cents sharp. Continue this procedure until you reach the highest note on the Piano.

Now, go back to your starting point at A above Middle C. Move the dial back again to Zero. Observe G# to the left of A. The Chart shows this to be 1 Cent flat. Therefore, following the procedure, which by now is familiar to you, turn the dial to the left of Zero a distance of 1 Cent and tune G#. Continue downward, tuning G, F#, F and E.

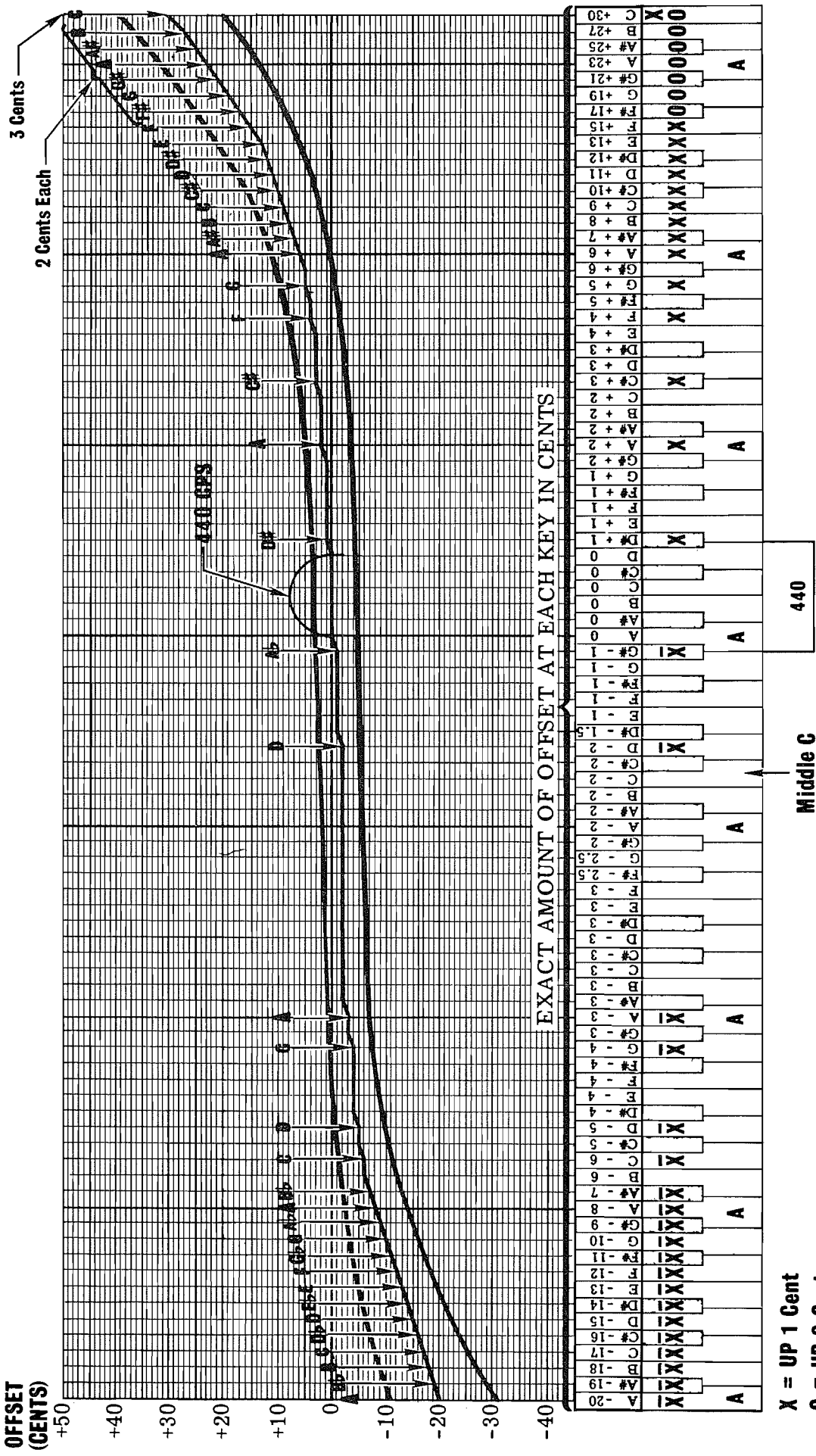
The next note, D#, is one and one-half Cents flat. D, C#, C, B, A and G# are all two Cents flat, etc. Continue observing the schedule shown on the Chart until you reach the lowest note on the Piano.

Upon completion of this, you will have Stretch Tuned the Piano in accordance with the best tuning tradition. Now, treat yourself to a performance and enjoy the rare brilliance that only Stretch Tuning can achieve.

Should you ever wish to revert to standard, equal temperament tuning, simply set your dial to Zero and leave it there as you proceed throughout the entire Keyboard. This may be necessary where you feel the need to synchronize with an organ, for instance, where it is impossible to Stretch Tune.

It should be noted also that with all instruments where any option can be realized, the musician will automatically follow the concept of Stretch Tuning. This may explain why an instrument tuned to equal temperament may sound dull and flat.

STRETCH TUNING CHART



X = UP 1 Cent
 O = UP 2 Cents
 X̄ = DOWN 1 Cent

Figure 5-4. Stretch Tuning Chart

CHAPTER SIX

REPAIR PROCEDURES AND TECHNIQUES

TONE GENERATOR ASSEMBLY REPLACEMENT PROCEDURE

Since all Tines throughout the pitch range are of the same configuration and vary only in length, and since the Tines can easily be cut to size by means of a pair of side cutter pliers, it follows that all the musician needs is a set of replacement Tines.

To aid the musician, replacement Tines are packaged in Kits of six. In each Kit is an assortment of Tuning Springs and a complete cutting chart.

Each of the six Tines comes already pressed into the little cross-piece called the Tone Generator. Thus, the two parts when joined together become the "Tone Generator Assembly." The Kit then is known as the Tone Generator Assembly Replacement Kit.

NOTE

Originally, RHODES manufactured only a Seventy-three Key Model Piano and Tone Generator Assemblies were identified on the Tone Bar as Number 1 through 73. In actuality, our Seventy-three Keys are E8 through E80 as compared to an Eighty-eight Key Piano whose keys are identified A1 through C88.

When manufacture of our Eighty-eight Key Pianos was begun, our problem of identifying the seven notes preceding our Number 1 (E8) was solved by designating all seven as Number 0 since the Tone Bars were identical.

Since, we have determined that conformity to the industry standard would be less confusing. Therefore, Tone Bar Assemblies (which include Tone Generator Assemblies) will be identified on our Eighty-eight Key Pianos as 1 through 88, and on our Seventy-three Key Pianos as 8 through 80.

To perform the replacement procedure, you will need the following tools:

1. A Phillips Screw Driver (No. 2)
2. A pair of Side Cutters
3. A 1/4" (6.350mm) and a 5/16" (7.938mm) Wrench

Complete replacement requires only the following simple steps.

1. Remove the Harp Cover.
2. Remove the Tone Generator Mounting Screw (Figure 6-1) using the 5/16" (7.938mm) wrench.

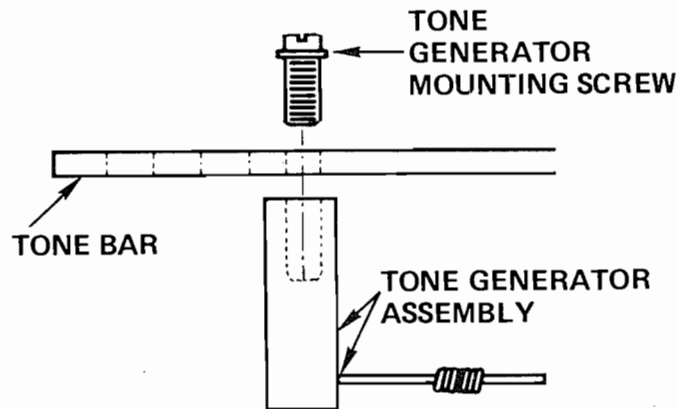
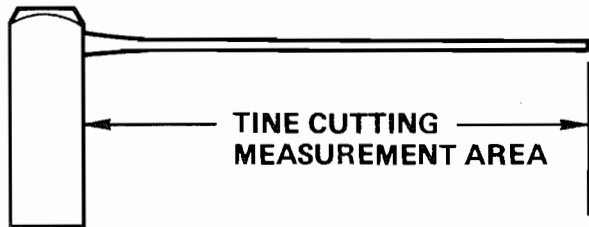
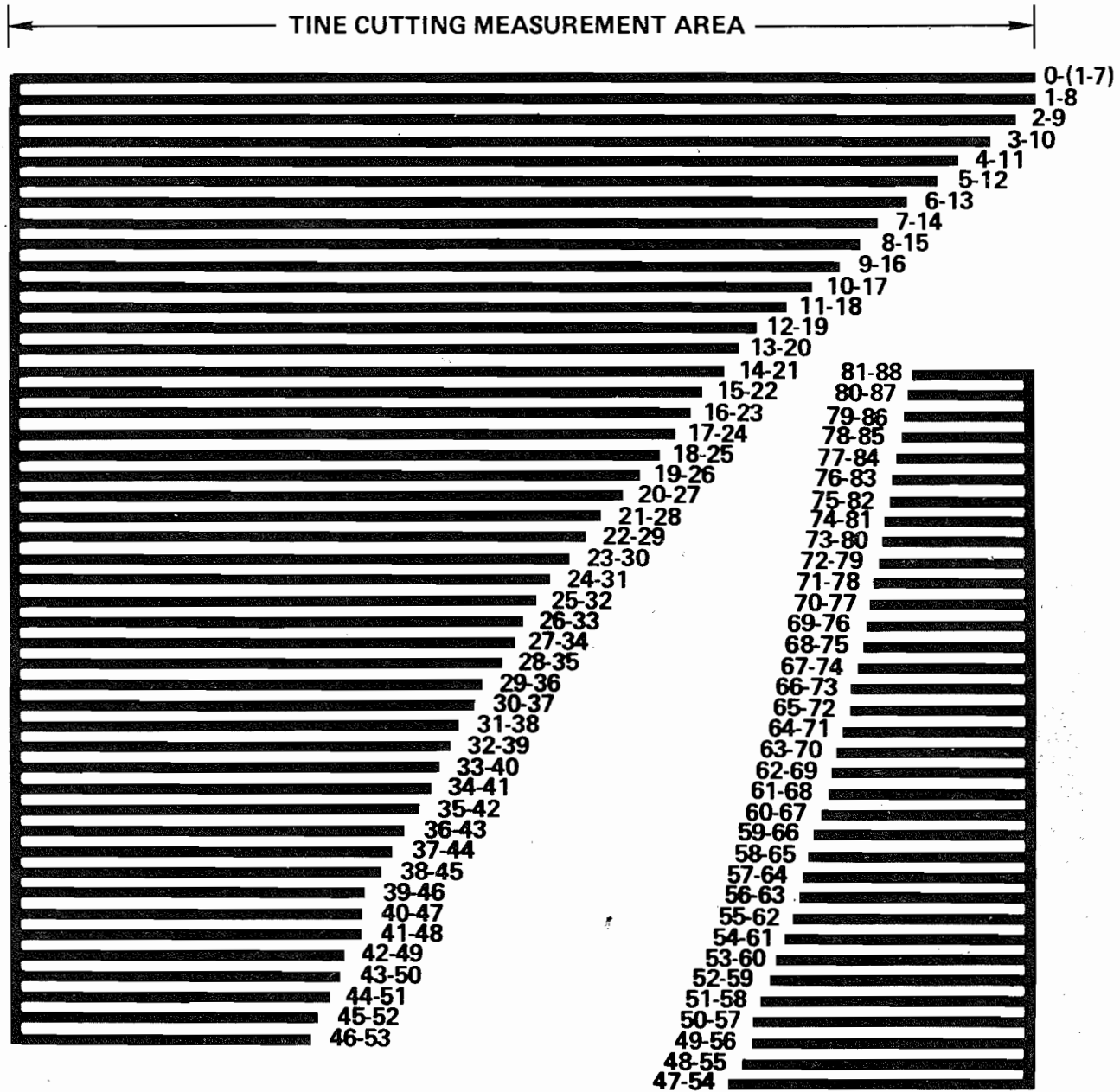


Figure 6-1. Tone Generator Removal/Replacement

3. Remove the four Screws which secure the Piano Harp Frame to The Harp Supports (Figure 4-7) and stand the Harp vertically on its edge.
4. Consult the cutting chart (Figure 6-2) in the Tone Generator Assembly Replacement Kit and cut the Tine to length with a pair of sharp side cutters.
5. Mount the Tuning Spring.
6. Secure the new replacement by installing and tightening the Tone Generator Mounting Screw.
7. Turn on the Amp with the Volume at maximum setting.
8. Re-set Volume by loosening the Volume Adjustment Screw with 1/4" (6.350mm) wrench and sliding the Pickup Arm in or out as you play.
9. Re-set Timber (tone color) by rotating the Timbre Adjustment Screw with #2 Phillips screwdriver, as you play.
10. With your left hand, pluck the Tine an octave below the Replacement Assembly. With your right hand, pluck the Replacement Tine and slide the Tuning Spring until pitch alignment is accomplished.



Vintage Vibe
9 Everment Rd.
Wharton, NJ 07885
917-880-9763
www.vintagevibe.com

Figure 6-2. Tine Cutting Measurement Chart

11. Check for pitch once more.
12. Secure Harp and replace Harp Cover.

Since absolute contact between the Tone Generator and the Tone Bar is necessary, the Tone Generator Assembly Mounting Screw is installed at the factory with power equipment. In some cases, removal of this screw will seem almost impossible; however, it can be accomplished in the following manner:

1. Remove both Screws mounting the complete Tone Bar Assembly to the Tone Bar Rail.
2. Place Screws, Grommets, Washers, and Mounting Springs in a safe place to avoid loss.
3. Set Tone generator between jaws of a bench vise and tighten jaws securely.
4. With a 5/16" (7.938mm) ratchet wrench, loosen and remove Tone Generator Mounting Screw.

In the event that a bench vise and a 5/16" (7.938mm) ratchet wrench are not available, the Tone Bar may be held in one hand while loosening and removing the Tone Generator Mounting Screw with the other using a 5/16" (7.938mm) box-end wrench.

Tone Generator Assembly Replacement requires only the reversal of the preceding procedure.

KEY PEDESTAL MODIFICATION PROCEDURE

In June 1978, the present Key Pedestal configuration (Figure 2-1, 38) was incorporated into the Piano. This development provides smoother, faster action or feel. Pianos built prior to that time may be modified by carefully pursuing the following procedure.

1. Remove Action Rail by following procedures outlined on Page 3-4. Maintain Hammer Assemblies in their mounted position.
2. Locate Action Rail on bench well away from other parts of the Piano and other equipment that may be harmed by the chemicals to be used.

Materials required for this procedure are:

Silicon Spray
Naphtha Based Solvent/Solution (i.e., Lighter Fluid)
Clean, Absorbent Cloth

WARNING

Prior to using the Silicon Spray and Naphtha Based Solvent, place a drop of each on the side of a Hammer to determine that no adverse effect will result from the chemical reaction with the plastic.

3. Place the Action Rail with Hammers and Dampers intact up-side-down to allow for easy access to the Felt on the Hammer Butt.
4. Saturate each Felt with Silicon Spray two or three times allowing 10 minutes soaking interval between each saturation application.
5. When the Felt's adhesive has been sufficiently reduced, slide each piece off from the Hammer Butt.
6. Thoroughly clean each Hammer Butt with a clean cloth soaked in the Naphtha Based Solvent, making sure that all trace of the adhesive is removed.
7. Using a clean cloth soaked in the Naphtha Based Solvent, thoroughly wipe each Key Pedestal relieving them of any trace of dust and/or lubrication that may have previously been applied.
8. Remove the Replacement Felts from the package and arrange in a straight line on a flat surface.
9. Measure $5/32''$ (3.969mm) in from one edge of the Felt Strip (Figure 6-3) and slice along the strip of Felts with a sharp knife ensuring that both pieces retain the protective paper backing. Lay aside the $1-13/32''$ (35.719mm) Felt Strips.

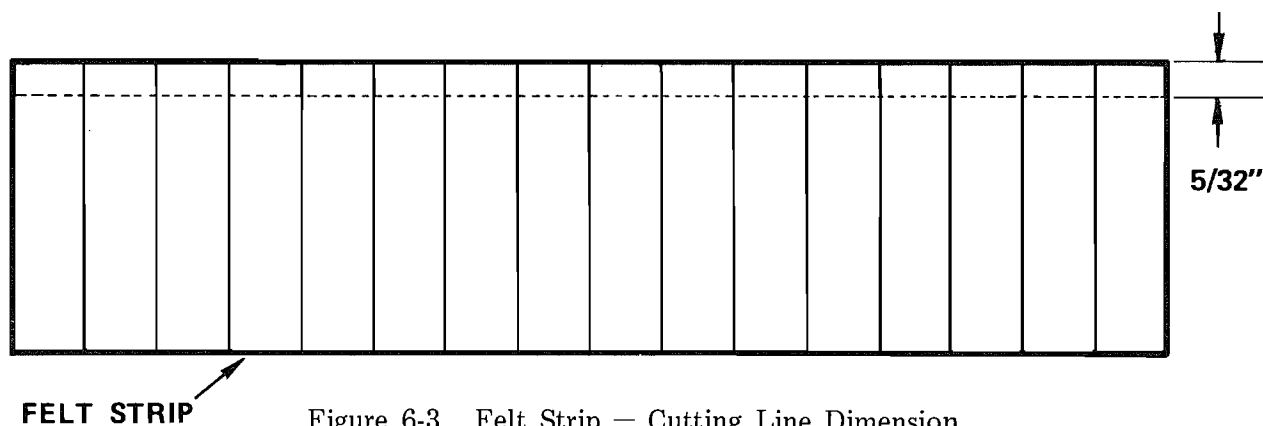


Figure 6-3. Felt Strip — Cutting Line Dimension

10. Scribe a pencil line along the top of each Key Pedestal $1\text{-}1/16''$ (26.988mm) from the rear surface farthest from the Key Cap (Figure 6-4).

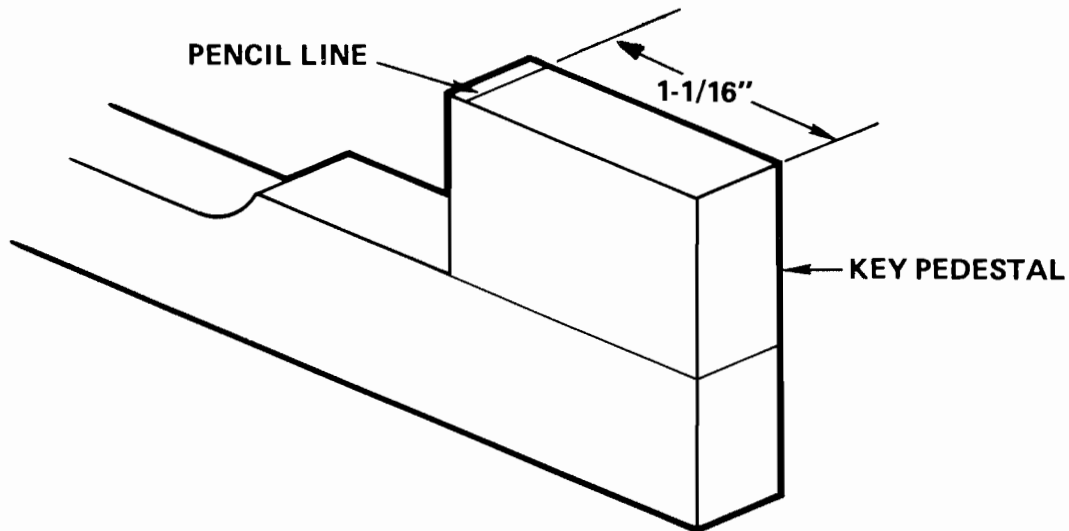


Figure 6-4. Key Pedestal — Pencil Line Dimension

11. One by one, remove $5/32''$ (3.969mm) felt pieces from the paper backing and place them on the Key Pedestal in front of (closest to the Key Cap) the scribed pencil line so that the pencil line is visible after the $5/32''$ (3.969mm) Felt Piece is securely mounted (Figure 6-5).

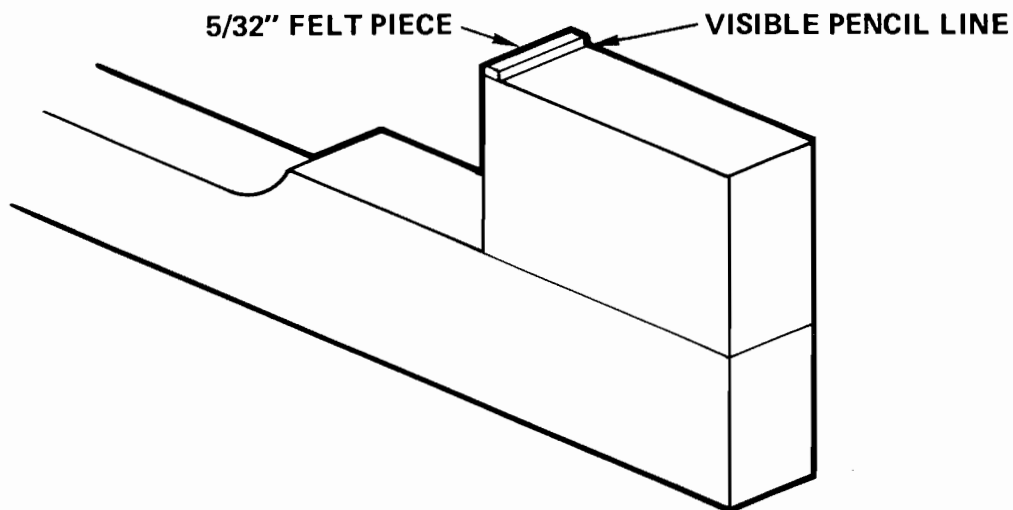


Figure 6-5. Key Pedestal — $5/32''$ Felt Piece Mounted

12. Remove the $1\text{-}13/32''$ (35.719mm) Felt Strips from the paper backing one at a time and place them on the top surface of the Key Pedestal with the $5/32''$ (3.969mm) Felt Piece mounted. Be particularly careful to ensure that the $1\text{-}13/32''$ (35.719mm) Felt Strip is flush with the front (closest to the Key Cap) surface of the Key Pedestal (Figure 6-6).

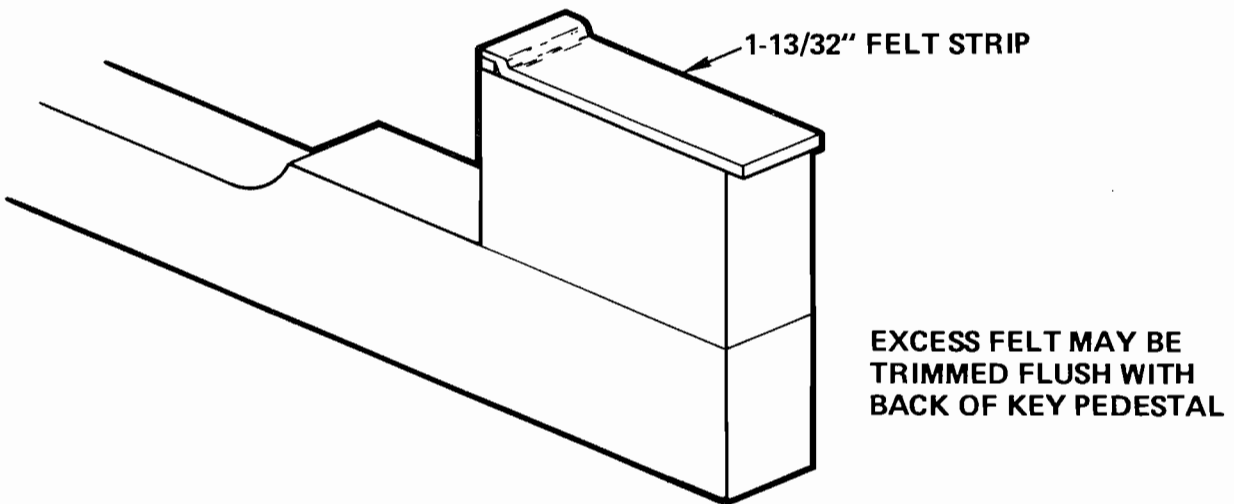


Figure 6-6. Key Pedestal – Felt Modification Complete

13. Any excess of the 1-13/32" (35.719mm) Felt Strip protruding in the rear may be trimmed off, however, function will not be impaired if it is left untrimmed.
14. Lightly spray the Felt Strip with Silicon Spray. An excess of the Silicon may reduce the Felt's adhesive and cause the Felt to fall off.
15. Replace the Action Rail by reversing Action Rail Removal procedure outlined on Page 3-4.

After the Piano has been completely reassembled, check for Escapement (Page 4-1) and determine that a "Double-Stroking" condition does not exist.

WORN KEY BUSHING REPAIR PROCEDURE

After years of normal use, the Balance Rail Key Button and Front Pin bushings will show wear, causing the Keys to move sideways creating the sensation of a "sloppy action".

By the use of the proper tools and techniques, this can be easily cured, giving the piano a tight, "like new" feeling.

The easiest method is achieved by the use of a piano technician's tool, called a Key Bushing Tightener (Figure 6-7).

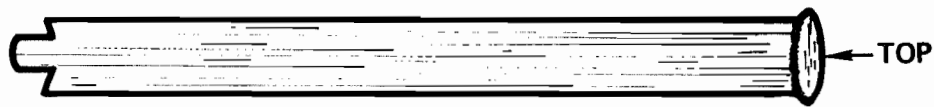


Figure 6-7. Key Bushing Tightener

To use this tool, all that is necessary is to remove the Keys and place them on a flat surface. Then insert the tool into each affected slot, and gently tap the top of the tool with a hammer. This will cause the Key wood to be squeezed toward the center, making the gap for the guide pin smaller. Replace the Keys in the Piano.

If a Bushing Tightener is not available, approximately the same effect can be accomplished with a pair of strong needle-nose pliers.

With the pliers, carefully squeeze the wood together at each bushing slot (too much force can break the wood) causing the bushings to be squeezed inward.

The third technique is to replace the bushings.

With a sharp knife, carefully trim away the worn bushings. Then apply a white glue to each side of the bushing slot. Install new felt (obtainable from any piano supply house) and clamp the felt in place with a key bushing wedge, or clamp. (The Bushing Tightener can be used for this purpose also.) After the glue has dried, trim away the excess felt and replace the Keys in the Piano.

An alternative to the felt bushing is plastic bushing inserts. Instead of installing felt after the glue is applied, press in the plastic inserts. After the glue dries, replace Keys in Piano.

After any bushing tightening or replacement, always make sure the bushings are not too tight, and that the Keys do not stick.

KEY CAP REPLACEMENT PROCEDURE

Periodically a customer will request a new Key because some blow has caused a fracture, or a cigarette burned one or more of the Key Caps.

Instead of replacing a Key, it is a standard practice of piano technicians to resurface, or recap the Key.

To resurface a Key, it is first necessary to identify the Key and its Cap style. Refer to Key Identification Chart (Figure 6-8), Page 6-10.

Once the Key Name, manufacturing type (Cap thickness), and Cap style have been determined, you can then proceed with removing the damaged Cap.

The same type of white key cement can be used for the One-piece, Two-piece or Full-skirt style Cap. Because the surface of the Key where the Cap adheres to the wood is visible, a glue that dries white is preferred for the One- and Two-piece style cap.

Piano key cement is available at piano parts and supply companies. If piano key cement is not readily available, Duco cement will work acceptably.

If white piano key cement is not available, you can make a glue that dries white by mixing Duco cement with 30% acetone and adding small Key Cap chips and shavings from the broken Key Caps. Place the Duco in a sealable container. Add enough acetone to increase the total volume 25% to 30%. Add in the broken chips and stir. As the chemical dissolves the plastic, continue to add more chips and allow them to dissolve. Continue stirring and adding chips until you are satisfied with the color of the glue. Before using the glue, make sure all plastic chips are dissolved. The texture should be thick and smooth, about the consistency of syrup.

FULL-SKIRT TYPE KEY CAP

To replace the Full-skirt type Cap (Figure 6-8, B.), it is first necessary to remove the old Cap. Since the Cap is damaged, it is of no consequence if you break the Cap further when you remove it. Using pliers and a sharp knife, break the Cap off, piece by piece, all the while being careful not to chip or otherwise damage the Key itself.

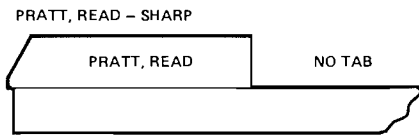
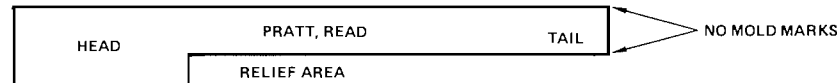
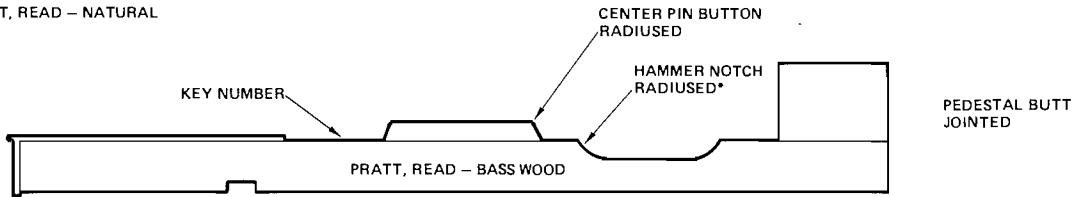
After the old Cap is removed, sparingly apply piano key cement to the appropriate part of the Key.

After the glue has been applied, slide the Cap on to the Key, making sure that it is pushed in place so that the end of the Key is against the inside front of the Cap. Put rubber bands around the Key to hold the Cap firmly in place until the glue dries.

ONE- AND TWO-PIECE TYPE KEY CAP

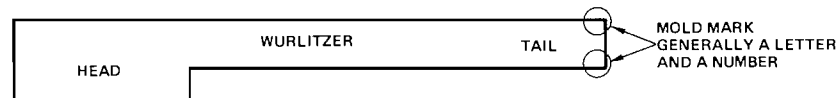
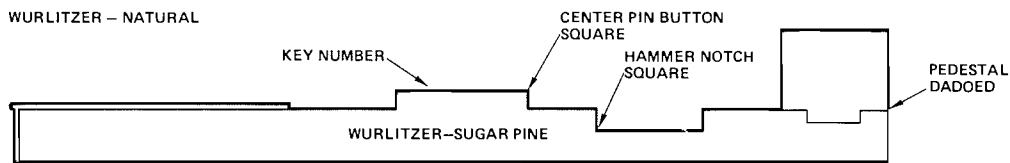
Basically, replacing the One-piece (Figure 6-8, A) and the Two-piece (Figure 6-8, B) type Key Caps is the same as replacing the Full-skirt type Cap. However, the technique does vary slightly in the removal and clamping processes since the One- and Two-piece Caps cover only the top and front of the Key.

A. ONE-PIECE KEY CAPS
 PRATT, READ – NATURAL



*NOTE: ON SOME EARLY ONE-PIECE AND ALL TWO-PIECE AND FULL-SKIRT CAPPED KEYS THIS NOTCH IS SQUARE.

WURLITZER – NATURAL

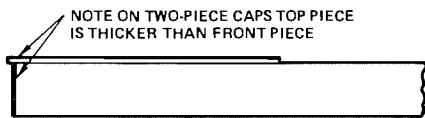


WURLITZER – SHARP

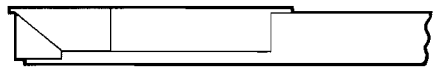


B. TWO-PIECE AND FULL SHIRT KEY CAPS
 PRATT, READ WAS THE ONLY VENDOR FOR TWO-PIECE AND FULL-SKIRT CAPS

NATURAL

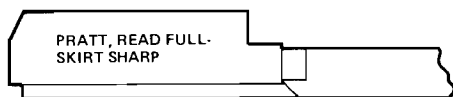


PRATT, READ FULL-SKIRT NATURAL



SHARP

SHARP CAPS SAME AS PRATT, READ ONE-PIECE SHARP CAPS



C. PEDESTAL IDENTIFICATION

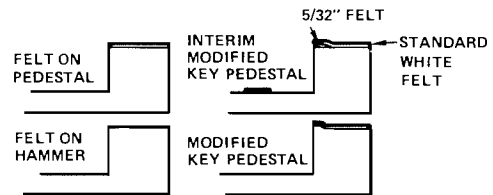
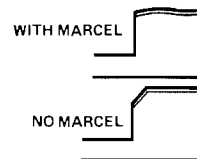


Figure 6-8. Key Identification Chart

To remove the Cap, a sharp X-acto type knife is used to cut between the Cap and the wood of the Key. Always slice with the grain of the wood so as to minimize cutting the wood.¹ Carefully slide the knife between the Cap and the Key. Moving slowly with light pressure, slide the knife under the Cap from one end of the Key to the other, causing the Cap to come loose from the Key but not peeling or cutting any wood from the Key itself.

For the One-piece type Cap (and the front of the Two-piece type if removal is necessary) also slide the knife between the front of the Key and the Cap, carefully removing the front of the Cap without damaging the Key.

After the Cap has been removed, scrape or sand the glue and Cap residue from the Key. Also make sure any damage to the Key is repaired (add wood putty to any gouges, etc.). Make sure the Key surface is as smooth and level as possible.

Apply the glue liberally to the surface that is being capped. Spread the glue so that there are no air gaps.

Carefully place the new Cap on the Key. Slide the Cap across the Key slightly to help spread the glue. Align the new Cap on the Key so that there is equal overhang on both sides of the Key and that the relief area of the head of the Cap is flush with the relief area of the head of the Key. The head of the Cap at the front should then overhang the front piece (on a Two-piece Cap) by approximately 1/16" (1.588mm). On the One-piece Cap, the front should be firm against the front of the Key and the Cap should be centered so that there is equal overhang on both sides of the Key. After the Cap is properly aligned, clamp the Cap in place with spring clamps and a block or plate² to keep the clamps from scratching the plastic Cap. After the clamps and blocks are in place, make sure the Caps are still properly aligned and realign if necessary. Set the Key aside and allow appropriate time to dry, which will depend on the glue used.

After the glue has dried, remove the clamps and blocks and trim down the excess overhang on the sides of the Key with a flat file (a Vixen-type file does a very quick and neat job). File away the excess plastic until the Cap is flush with the sides of the Key. For a nice smooth appearance, scrape (with an X-acto type knife) or sand away file marks in the plastic and round off the front corners of the head of the Cap.

The Key is now ready to be replaced in the Piano.

¹Heating the plastic Cap with a heat gun will soften the plastic to allow easier removal.

²Spring clamps and plates for the tops and fronts are available from piano supply companies.

SECTION II

EARLY DESIGN RHODES PIANO

CHAPTER SEVEN

EARLY DESIGN RHODES PIANOS – TONE SOURCE (Prior to July 1975)

In the broad claim of our original patent, No. 2,972,922, the Tone Source is described as a “tuning fork of unequal legs”. In other words, we deviate from the traditional concept of a tuning fork in that, while both legs of the fork vibrate at the same frequency, the lower leg is more resilient and, as a consequence, responds more positively to the blow of a Hammer. It is to our advantage to construct this lower leg in such a way as to render it as resistant to wear and fatigue as possible. In pursuit of this, the Tone Bar Assembly has gone through three major changes through the years.

1. In the original Piano, the Tone Bar Assembly (tuning fork) was a single piece of cast iron which was suspended in a metal channel. The bottom leg was a length of piano wire of a diameter of .075” (1.905mm) (Figure 7-1).

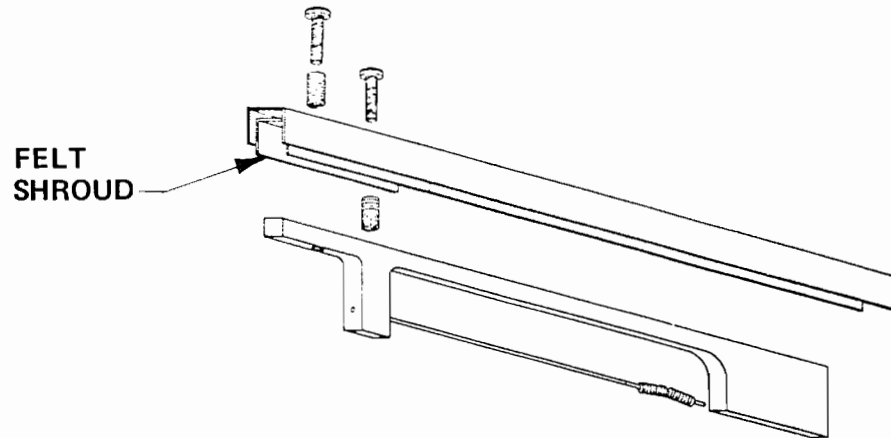


Figure 7-1. RHODES First Stage Tone Bar Assembly

2. In the next stage the Assembly was constructed as shown in Figure 7-2. Several improvements were accomplished by this change.
 - a. The Tone Generator Assembly (Figure 7-2) was now removeable for easy replacement.
 - b. Timbre adjustment was more easily accomplished.
 - c. Escapement distance was more easily adjusted.
3. In an attempt to further improve the tone quality and at the same time to reduce weight, we came up with the current Tone Bar design, which we call the “twisted steel bar” (patent No. 3,644,656) (Figure 7-3).

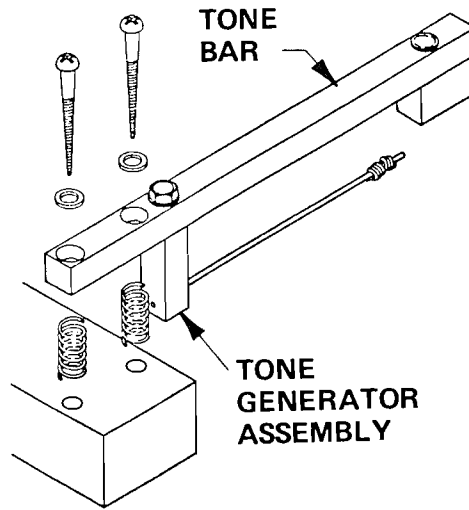


Figure 7-2. RHODES Second Stage Tone Bar Assembly

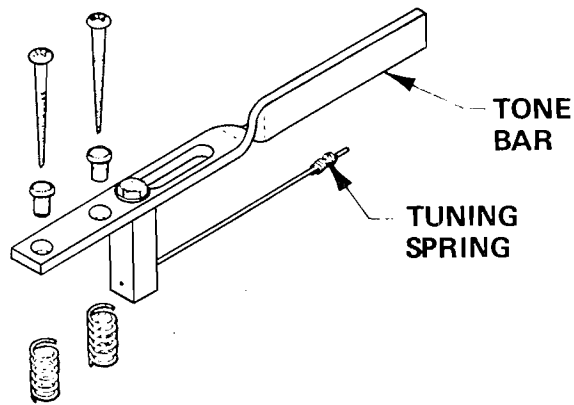


Figure 7-3. RHODES Third Stage Tone Bar Assembly

THE TINE

In our original design, the “Tine” (bottom leg of the tuning fork) consisted of a length of piano wire .075 (1.905mm) in diameter (Figure 7-4). Fine tuning was accomplished by means of a slideable length of coil Spring which was crimped to produce a friction fit.

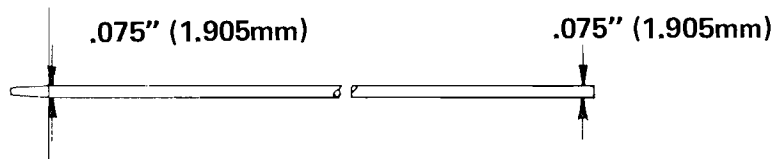


Figure 7-4. RHODES Original Tine Design

Later, in an attempt to distribute the vibrational shock created by a heavy Hammer blow, the wire was tapered (Figure 7-5).

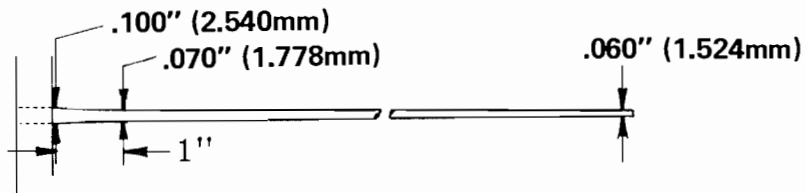


Figure 7-5. RHODES Second Stage Tine Design

This taper was accomplished by the “centerless grinding process”. This new configuration added considerable life expectancy to the Tine.

As a result of some six years of developmental procedure, a major breakthrough was accomplished in the processing of these new tapered Tines. Instead of the centerless grinding process, we introduced the current Tine (Figure 7-6). In this new innovation the Tine is formed by the swaging process, a process which by its very nature adds strength to the part by compacting the outer surface (skin) of the Tine.

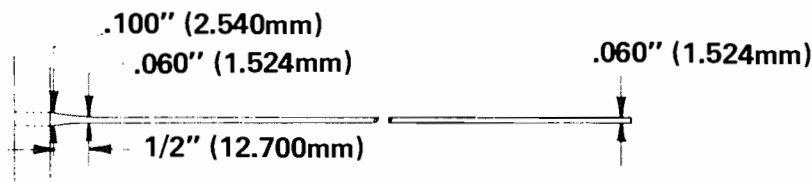


Figure 7-6. RHODES Swaged Tine Design

In a comparative shock test, our first Tine withstood 40,000 heavy Hammer blows; the second Tine withstood 1,500,000 blows, and the swaged Tine was still going after 6,000,000 blows.

While it is the nature of even the finest steel to deteriorate when shocked by stresses beyond its elastic limit and thus finally to crystalize and break, we feel that in this new process we now have reached the ultimate in providing a part capable of withstanding indefinitely all but the most withering treatment.

CHAPTER EIGHT

EARLY DESIGN RHODES PIANOS — ACTION (Prior to September 1975)

Fundamentally, there has been no deviation from the original design principle, though the actual configuration of the parts has changed.

THE ACTION

The original Hammer Assembly appeared as shown in Figure 8-1.

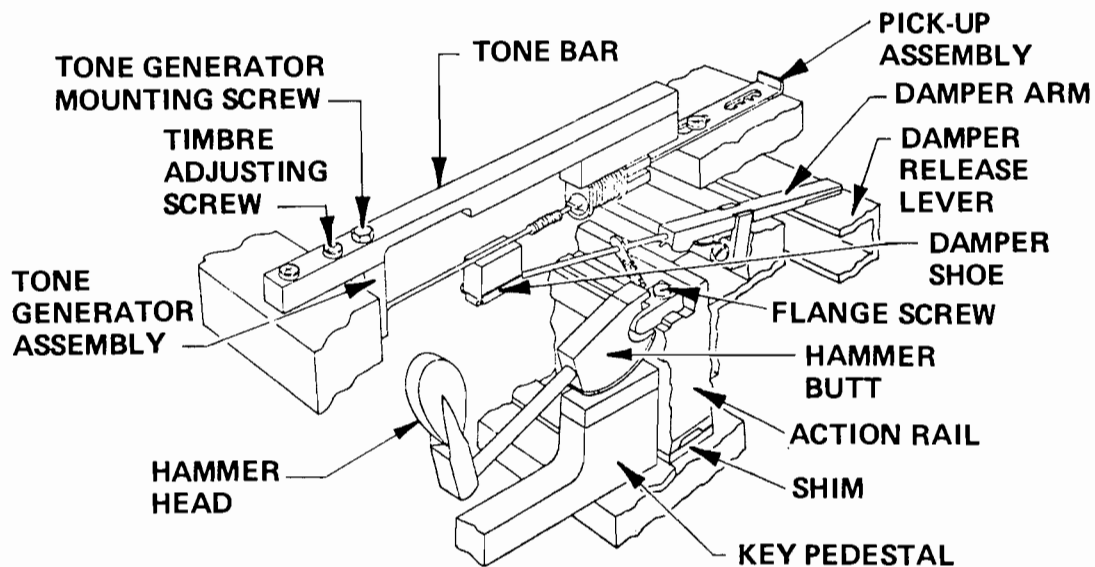


Figure 8-1. RHODES Original Action Design

The Hammer Head was of the conventional “tear drop” design. The Hammer Shank and Hammer Butt were formed from wood and therefore tended to suffer the weaknesses of wooden parts, such as off-center holes, drifting holes, warping, etc.

An interim change involved the insertion of an aluminum clip (Figure 8-2, A) on top of the Key Pedestal. This was done to increase the acceleration of the old Hammer design.

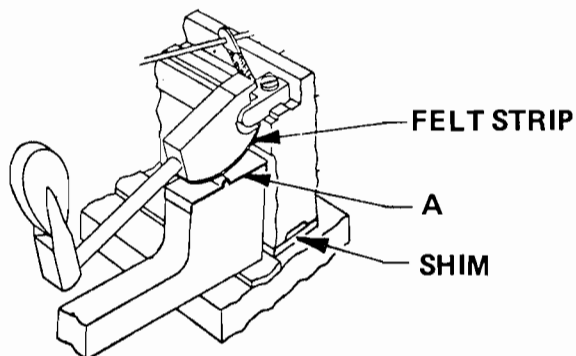


Figure 8-2. RHODES Second Stage Action Design

The next generation of Hammers featured a molded Shank and a molded Flange (Figure 8-3). These parts were made of CYCOLAC, a material which has withstood the test of time and has proven to be dimensionally far superior to its predecessor, besides being practically impervious to variations in temperature and weather. At this same time the Felt Strip originally attached to the cam curve of the Hammer was instead placed on the newly designed Pedestal surface of the Key.

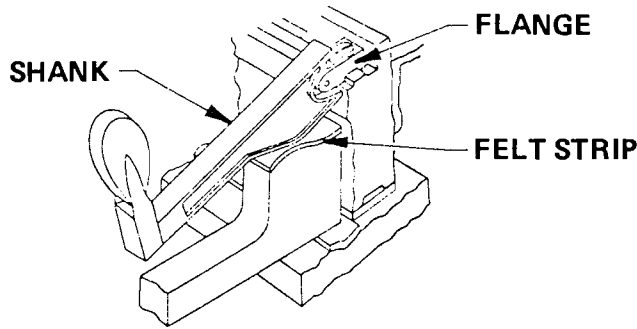


Figure 8-3. RHODES Third Stage Action Design

The “tear drop” Hammer Head was excellent for standard pianos, however, it tended to wear a groove, and as the groove deepened, the quality of sound deteriorated. Replacement was cumbersome and costly.

While this type of Head was retained for awhile, another innovation followed soon (Figure 8-4). It consisted of a wooden Head with a Felt Tip, which was easily removed for replacement. This was a major step forward in that replacement could be done inexpensively by the musician.

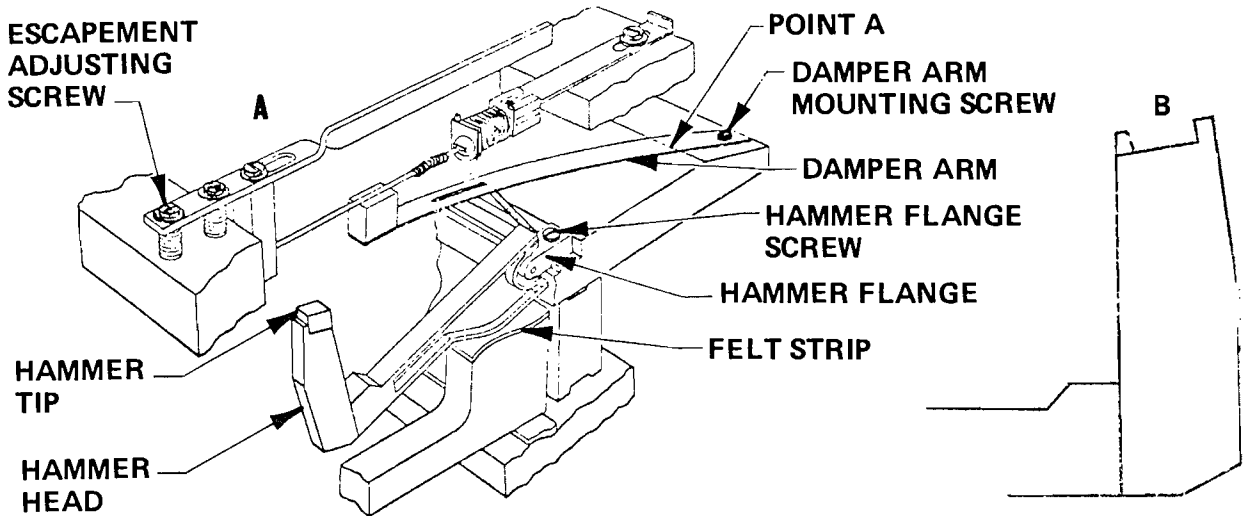


Figure 8-4. RHODES Fourth Stage Action Design

At the same time, research was going on with a type of Neoprene which would be a useable substitute for the felt Tips. Felt — being what it is — was still subject to grooving. The formation of a groove is costly in tone production, since the walls of the groove act as dampers. It was hoped that a material could be found which would end the problem of grooving. The Neoprene Tips proved superior in every way and were introduced into the line early in 1971, following extensive testing.

CHAPTER NINE

EARLY DESIGN RHODES PIANOS — MAINTENANCE AND REJUVENATION

This Chapter of the manual will be devoted to maintenance procedure and to description of the ways in which the various vintage models can be adapted to newer standards.

1. Suppose you have a Piano of the vintage depicted in Figure 8-1 and wish to bring it up to current sound standards. Proceed as follows:
 - a. Examine the condition of the Hammer Heads. If the grooves are not more than $3/16''$ (4.762mm) deep, they can be reshaped by sanding off the outer surface. To accomplish this, construct a shaping tool from a 6'' (152.4mm) length of wood to which has been cemented a piece of very rough sand paper. Beginning at Points A and A1 work upward toward the crown — taking off enough of the outer layer of felt to remove all trace of the groove (Figure 9-1).

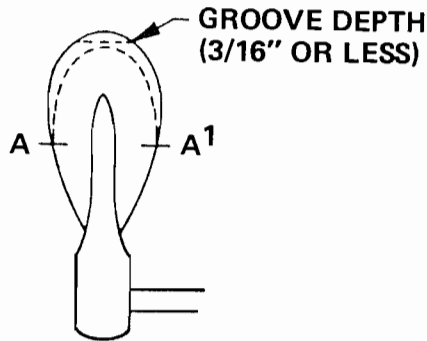


Figure 9-1. Tear Drop Hammer Head — Groove Removal

It should be noted that by the method chosen in this shaping process, you have a measure of control over the “striking line” (the point of Hammer contact along the length of the Tine).

Suppose Point A (Figure 9-2) is the optimum point for best tone and volume response. You can shape the Hammer so that the peak of the felt is left or right of center in order to accommodate to Point A.

You can determine the exact location of Point A by removing all the Mounting Screws from the Harp so that it can be slid back or forward on the Support Blocks. With the Harp free to move, slide it back or forward as you strike the Key until you locate the point of maximum power response. Next, mark this point on the Tine with a felt pen, slide the Harp to original position, with Hammer raised, mark a spot on the Hammer Tip where the Felt Tip

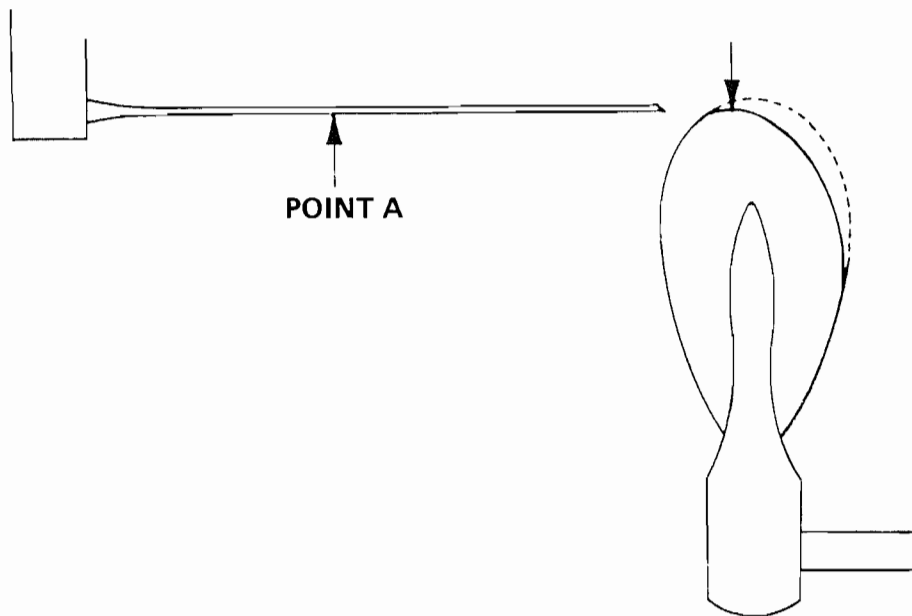


Figure 9-2. Tear-Drop Hammer Head — Reshaping to Striking Line

should be shaped. This procedure should be repeated about every 6th Hammer throughout the scale. The intervening Hammers can be shaped to the “curve” thus developed.

- b. Next, test Felt hardness by playing the Piano through the mid-range. If the tone quality is harsh, indicating excessive hardness of Hammers, the Felts can be softened by the “Voicing” process. This is accomplished through the use of a Voicing tool, available in any piano supply house. Failing this, embed a common sewing needle in a hand drill, then “drill” the needle directly into the Felt at several points in the striking area.
- c. If the Hammer Heads are too badly worn for salvage, remove all Hammer Assemblies and install Replacement Hammer Assemblies. The Hammer Assembly will come complete with Flange and Bridle Strap mounted. It will appear as shown in Figure 8-4A, without Tip.

Proceed as follows:

- (1) Remove all Damper Shoes by sliding forward (Figure 7-1).
- (2) Unscrew Flange Screw and remove Hammer by sliding Bridle Strap out over Damper Arm.
- (3) Mount the new Hammer Assembly by sliding the new Bridle Strap over the Damper Arm then by securing the Assembly with the Flange Screw.

- (4) Slide all Damper Shoes back into place.
- (5) Create a 1/8" x 3/8" x 3/8" (3.175mm x 9.525mm x 9.525mm) shim and glue into place on the Hammer Head as shown in Figure 9-3. This is necessary in order to bring the Hammer Tip up to the full height of the one replaced.

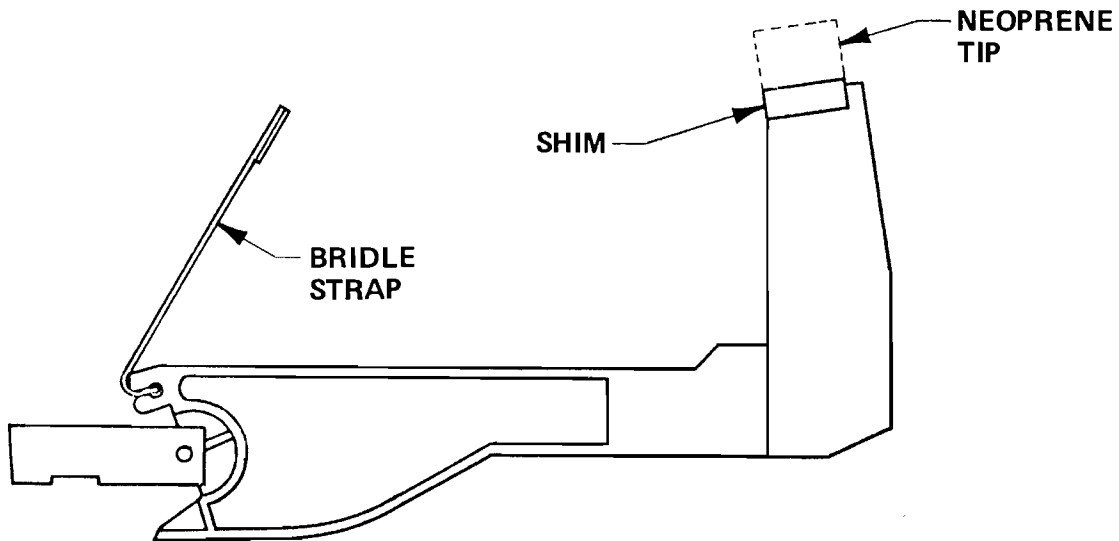


Figure 9-3. RHODES Hammer — Shim Placement

- (6) Secure all Neoprene Tips following the instructions given in the Kit.
- (7) The new Bridle Straps are slightly shorter than the old, resulting in a lower rest position of the Damper Felts. Adjust these upward to suit by bending the Malleable Wire Damper Arm (Figure 9-4).

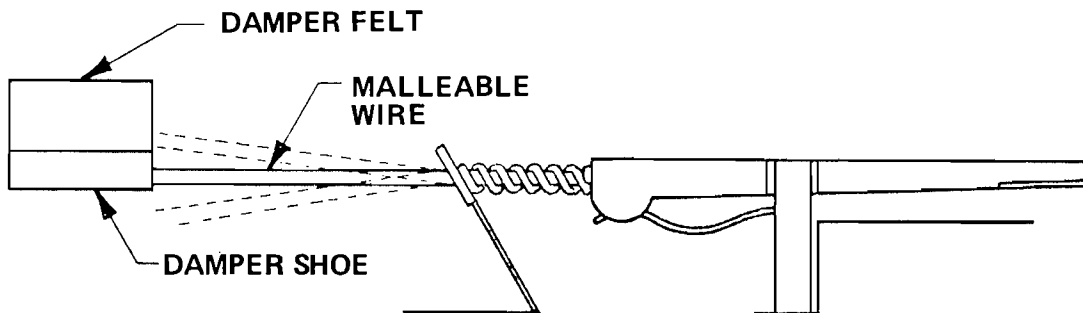


Figure 9-4. Early Design Damper

- (8) Carefully peel off the red woven Felt from the cam curve of the old Hammers, exercising care to leave a smooth, clean surface, and cement to the top of the Key Pedestal. This applies whether the Key is as shown in Figure 8-1 or Figure 8-2.
2. Suppose you have a Piano of the vintage depicted in Figure 8-4 but with the type Tone Bars as shown in Figure 7-2, and you wish to restore it. Proceed as follows:
 - a. Remove all Felt Hammer Tips with a jack knife. Make certain that the maple Hammer Head surface is clean of all Felt and old glue. If the Hammer Head is of the variety shown in inset Figure 8-4B, remove the back shoulder with a pair of end cutters in order to provide ample surface for the Replacement Neoprene Tips (Figure 9-5).

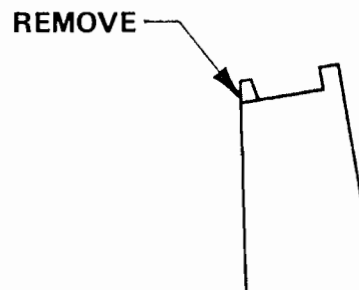
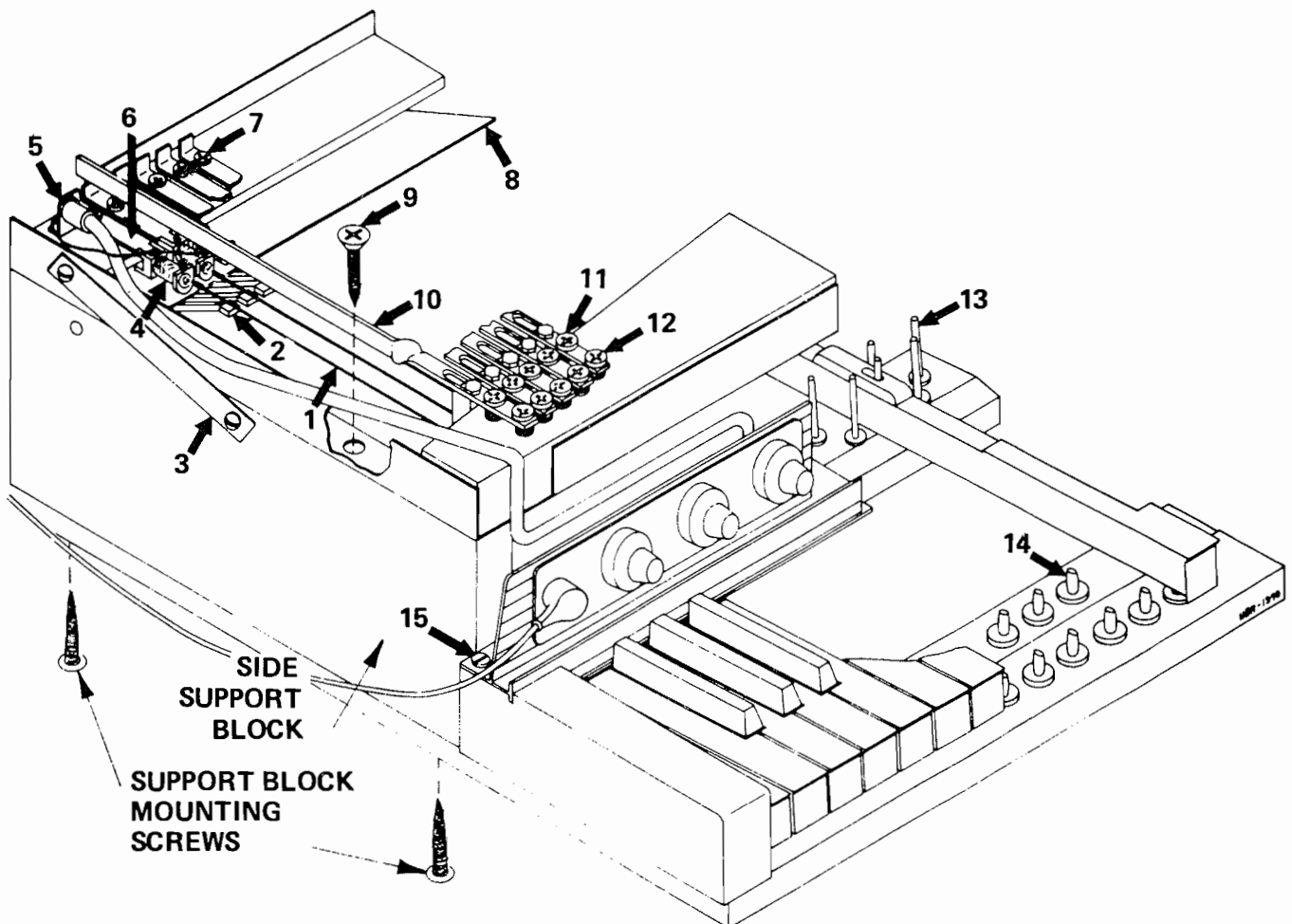


Figure 9-5. Double-Shoulder Hammer Head

- b. Using 3M Super Weatherstrip Adhesive No. 8001 available at auto supply stores, or a similar bonding agent, cement the Neoprene Tips following instructions given in the Hammer Tip Replacement Kit.
 - (1) Remove all Tone Generator Assemblies by removing all Tone Generator Mounting Screws (Figure 8-1).
 - (2) Mount all new Tone Generator Assemblies following instructions given in the Tone Generator Assembly Replacement Kit.
 - (3) Adjust Timbre. See Timbre Adjustment, Page 4-6.
 - (4) Adjust Volume. See Volume Adjustment, Page 4-6.
 - (5) The Felt Tips are slightly taller than the Neoprene Tips, so escapement must be re-established. See Page 4-1.

- (6) Remove the Harp Mounting Screws (including the Hinge Screw) on the left (Bass) side of the Harp (Figure 9-6, 9).
- (7) Refer to Step 3., Page 4-6.
- (8) When you have located this new Harp position to your satisfaction, sink two new holes in the maple Side Support Blocks (use a No. 10 drill), then secure the Harp by remounting the Screws. Next, remount the Hinge by drilling a new hole (No. 10) in the side of the Harp Frame. Exercise extreme care in guiding your drill through the steel so as to avoid plunging the drill into the Pickup. If the Harp/Action Assembly is out of the Cabinet, a new hole can be drilled in the side of the Harp Support Block to relocate the Hinge, thus avoiding the possibility of damaging the Pickup.



- | | | |
|----------------|---------------------------|-------------------------------------|
| 1. Tines | 6. Pickup Arms | 11 & 12. Tone Bar Adjustment Screws |
| 2. Dampers | 7. Pickup Mounting Screws | 13. Balance Rail Guide Pins |
| 3. Harp Hinge | 8. Damper Release Bar | 14. Front Rail Guide Pins |
| 4. Pickups | 9. Harp Mounting Screws | 15. Nameboard Mounting Screws |
| 5. Preamp Jack | 10. Typical Tone Bar | |

Figure 9-6. RHODES Early Design Harp/Action Assembly – Cut-Away View

CHAPTER TEN

EARLY DESIGN RHODES PIANOS – DIMENSIONAL STANDARDS AND ADJUSTMENTS

1. Key Dip. Key Dip and Hammer travel are controlled by the height of the Action Rail. Key Dip is the term used to describe the downward limit of travel of the Key when depressed. 3/8" (9.525mm) is ideal. This is controlled by means of shims (Figure 10-1) placed between the Action Rail and the Key Frame. To adjust, remove the entire Action from the box. Along the back of the Key Frame under the Action Rail will be five wood screws. Remove these, then either remove shims or add shims depending upon whether you wish to reduce or increase the Key Dip.

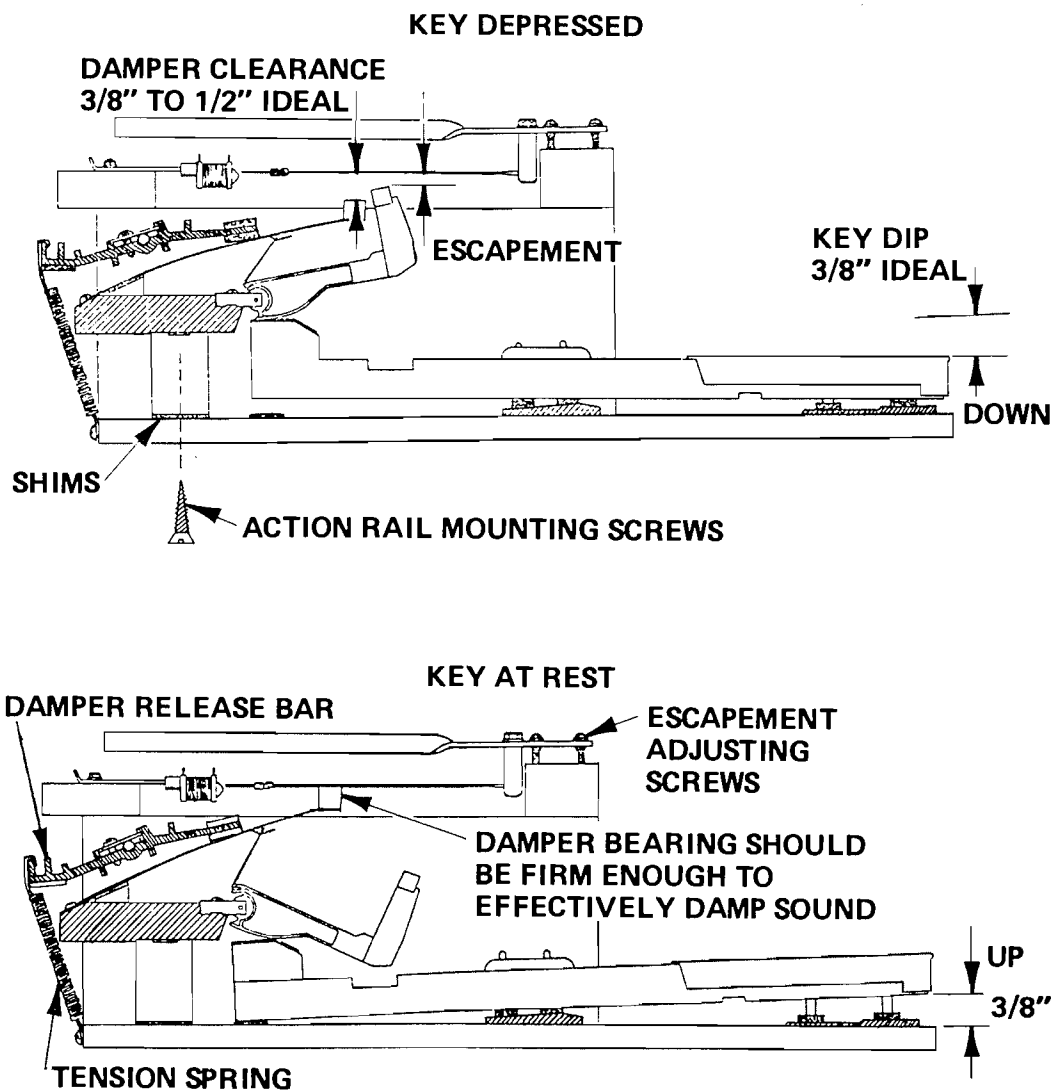


Figure 10-1. RHODES Early Design Single Key Views

2. Damper Control. The Damper ideally clears the Tine by at least 3/8" to 1/2" (9.525mm to 12.700mm) when the Key is depressed. Conversely, when the Key is at rest, the Damper should bear firmly on the Tine in order to effectively damp the sound.

To maintain this relationship, there are two adjustments possible.

- a. Tension. Refer to Page 4-4.
 - b. Alignment. Refer to Page 4-4.
3. Escapement. Escapement is the word used to describe the distance between the striking edge of the Hammer Tip and the Tine when the Key is fully depressed. This distance varies from between 3/16" (4.762mm) and 3/8" (9.525mm) in the Bass section to between 1/16" (1.588mm) and 1/8" (3.175mm) in the Mid section and between 1/32" (0.794mm) and 3/32" (2.381mm) in the Treble section. The shorter the Escapement distance, the more sensitive the touch.

The Escapement distance could be called the "free throw" area. In other words this is the area of Hammer travel after the energy imparted by the touch is no longer effective. In order to understand the philosophy, suppose the Escapement distance were 1/2" (12.700mm). Under this condition, it would require an extremely sharp blow to impart enough acceleration to the Hammer to enable it to reach the Tines. Now reverse the situation, suppose that we reduce the Escapement to zero. The lightest feather touch will produce a sound. However, sustained finger pressure on the Key will cause the Hammer to smother the sound. Now back off a bit. Raise the Escapement to the point where the Hammer can no longer smother the sound. This becomes the ideal setting.

To achieve the ideal Escapement setting, there are several adjustments possible depending upon the vintage Piano involved.

- a. To decrease the Escapement distance, compress both Escapement Adjusting Springs (Figure 4-4). This will lower the entire Tone Bar Assembly thus reducing the gap. Once this is accomplished re-establishment of Timbre and Volume setting is done in the usual way.
- b. If the Escapement is excessive throughout the entire Piano, proceed as follows:
 - (1) Remove the two Side Support Blocks (Figure 10-2).

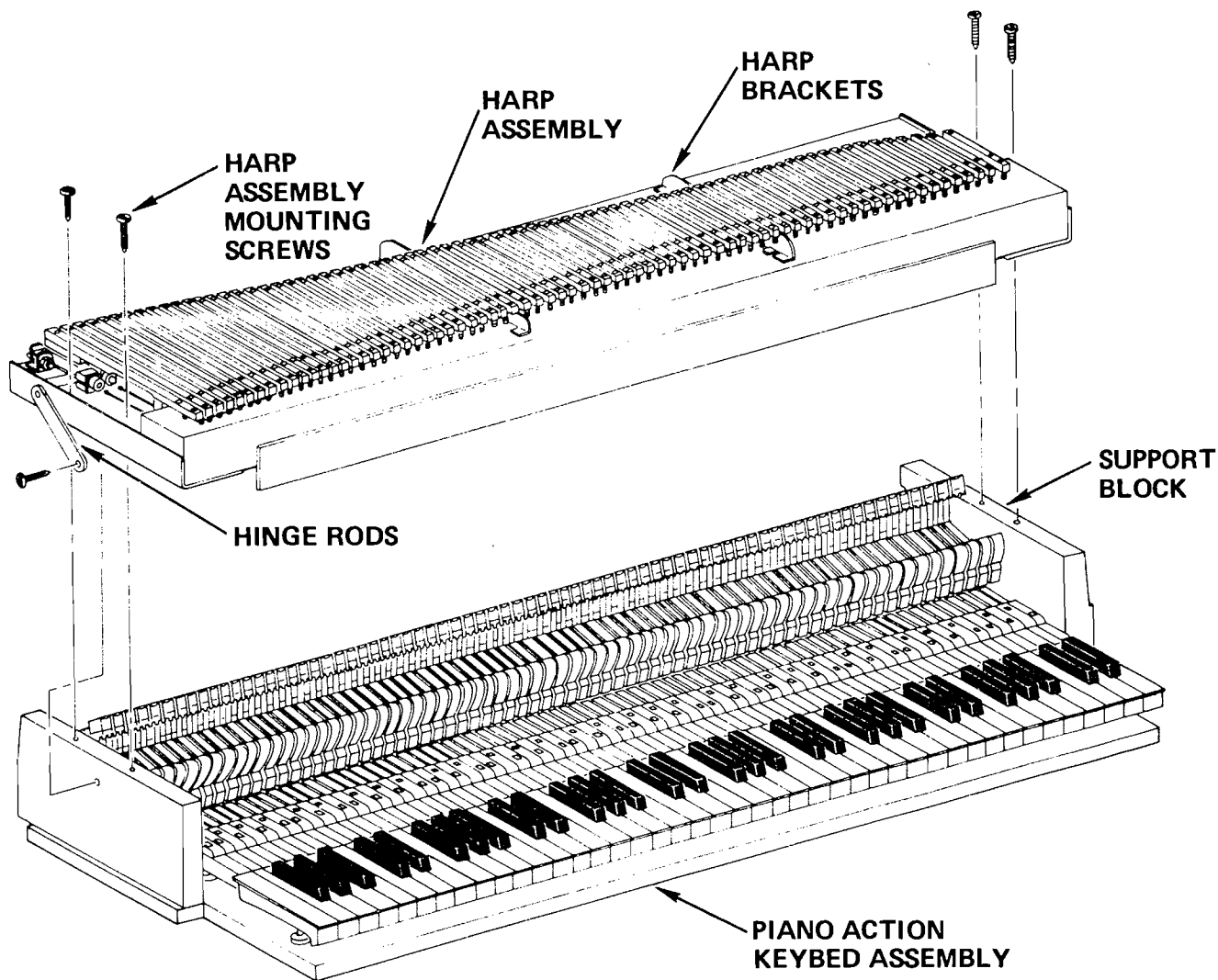


Figure 10-2. RHODES Early Design Harp/Action Assembly — Exploded View

- (2) Using a table saw, shave off the desired amount from the top surface of each Block, approximately 1/16" (11.588mm) to 1/8" (3.175mm).
 - (3) Replace the Assembly, then reset the Dampers for maximum performance.
- c. An alternate method of accomplishing the same thing is to remove all Hammer Tips, add a Shim, then replace the Tips, as outlined on Pages 9-2 and 9-3. This procedure, while perhaps a bit more tedious, requires no equipment nor re-adjustment of Dampers.

As also is the case in string pianos, the Escapement distance in the Bass section should be greater than in the middle and upper sections. This requirement is even more pronounced in our Instrument due to the wide arc of Tine movement encountered. Escapement distance on Tone Bar 1 could be $\frac{3}{8}$ " (9.525mm). Insufficient Escapement in this area invites "double stroking" with an accompanying disturbing sound.

Signal Strength:

Originally the 73 Pickup Coils were joined in a series/parallel arrangement as shown in Figure 10-3.

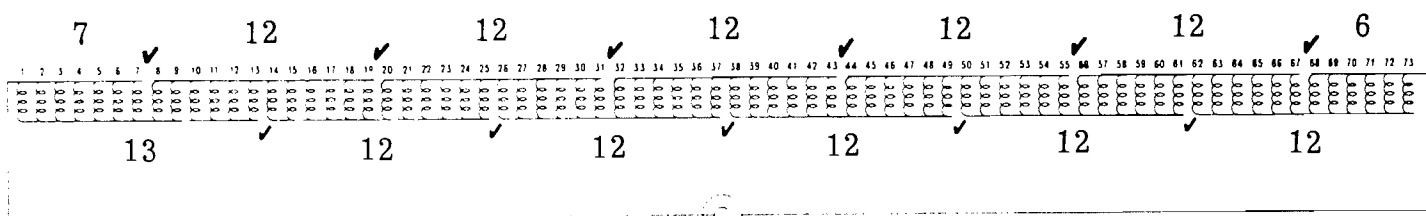


Figure 10-3. RHODES Original Pickup Coil Series/Parallel Arrangement

Later, basic voltage output was quadrupled by changing the series/parallel arrangement as shown in Figure 10-4.

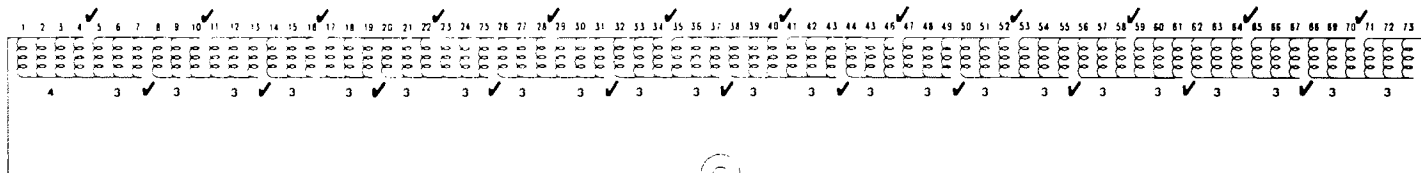


Figure 10-4. RHODES Modified Pickup Coil Series/Parallel Arrangement

This change can be made on any of the older Pianos simply by re-routng the bus wires as shown in Figure 10-5. The output impedance then becomes approximately 2500 ohms.

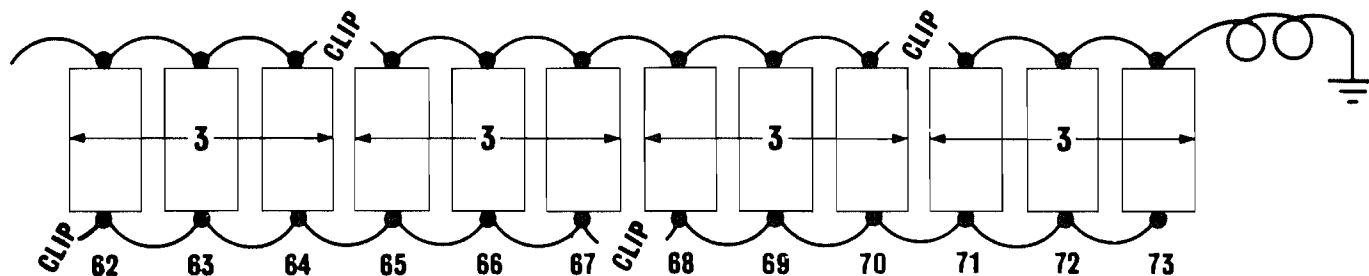


Figure 10-5. RHODES Bus Wire Re-Routing Diagram

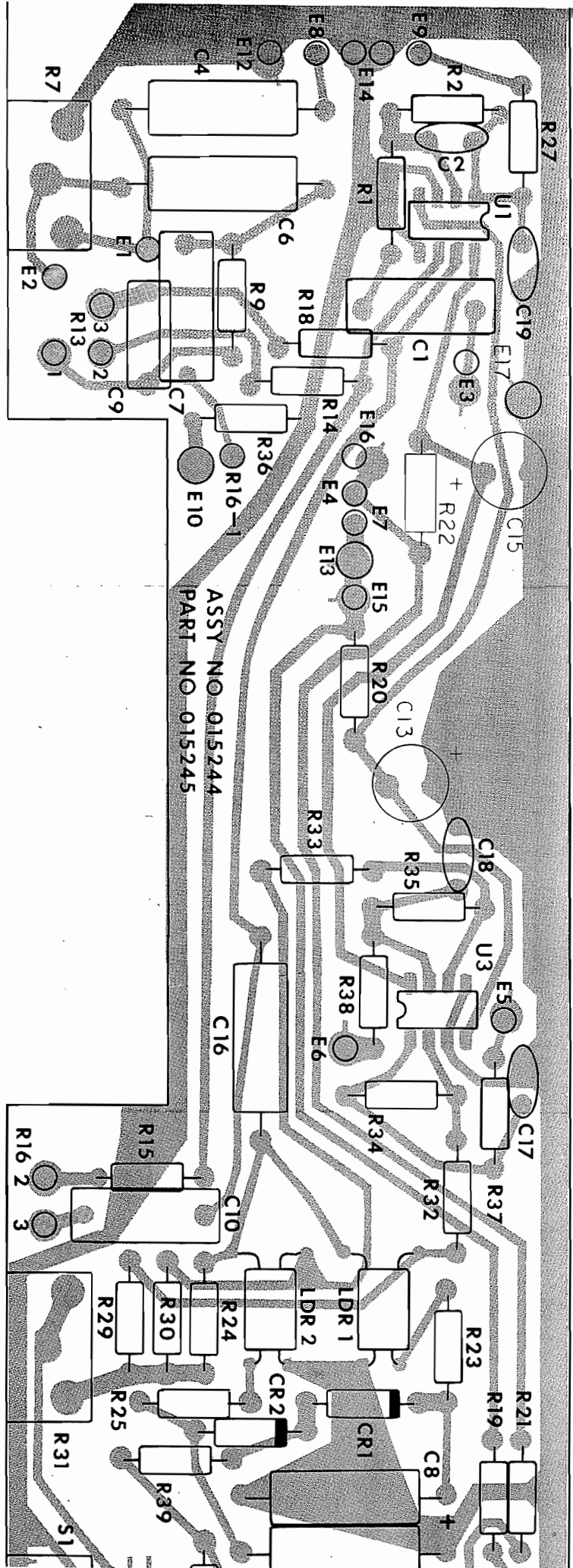
SECTION III

ELECTRICAL AND ELECTRONIC SERVICE AIDS

PARTS LIST

ITEM	QTY	PART NO.	DESCRIPTION	REF DESIGNATION
38	1	013575	SWITCH, TOGGLE - SPDT	S1
37				
36	3	013528	INTEGRATED CIRCUIT - DUAL OP AMP	W1, 2, 3
35				
34	1	037119	TRANSISTOR 2N3392	Q1
33	2	013556	LIGHT DEP RESISTOR	LDR1, 2
32	2	006260	DIODE, SILICON	CR1, 2
31				
30	2	009512	CAPACITOR 25V 25	C8, 20
29	4	015126	CAPACITOR 16V 100	C12, 13, 14, 15
28	1	Q21105	CAPACITOR 25V 10	C3
27	2	069054	CAPACITOR 25V N.P.S.	C4, 6
26	1	068296	CAPACITOR 15V N.P. 1	C16
25	1	011799	CAPACITOR .22	C11
24	1	021022	CAPACITOR .1	C1
23	1	013498	CAPACITOR .047	C9
22	3	010543	CAPACITOR .01	C5, 7, 10
21	1	020925	CAPACITOR 120 PF	C2
20	3	060962	CAPACITOR .001	C17, 18, 19
19				
18	1	013580	RESISTOR 100K REV AUD POT	R4
17	2	012528	RESISTOR 50K LIN SLIDE POT	R13, 16
16	1	013578	RESISTOR 25K REV AUD POT	R31
15	1	013577	RESISTOR 5K AUDIO POT	R7
14	3	021360	RESISTOR 1/2W ± 10% 1 MEG	R6, 11, 12
13	1	021352	RESISTOR 1/2W ± 10% 470K	R8
12	3	021493	RESISTOR 1/2W ± 10% 220K	R2, 34, 35
11	4	021345	RESISTOR 1/2W ± 10% 100K	R5, 17, 32, 33
10	1	051136	RESISTOR 1/2W ± 10% 39K	R14
9	5	021279	RESISTOR 1/2W ± 10% 10K	R1, 10, 26, 29, 30
8	1	069823	RESISTOR 1/2W ± 10% 5.6K	R15
7	2	031062	RESISTOR 1/2W ± 10% 4.7K	R9, 18
6	1	021246	RESISTOR 1/2W ± 10% 3.3K	R24
5	1	021220	RESISTOR 1/2W ± 10% 2.2K	R39
4	5	021204	RESISTOR 1/2W ± 10% 1K	R3, 23, 25, 28, 36
3	7	021170	RESISTOR 1/2W ± 10% 100	R19-22, 27, 37, 38
2				
1	1	015245	BOARD FAB - PREAMP	

Vintage Vibe
9 Everment Rd.
Wharton, NJ 07885
91 80-9763
www.vintagevibe.com



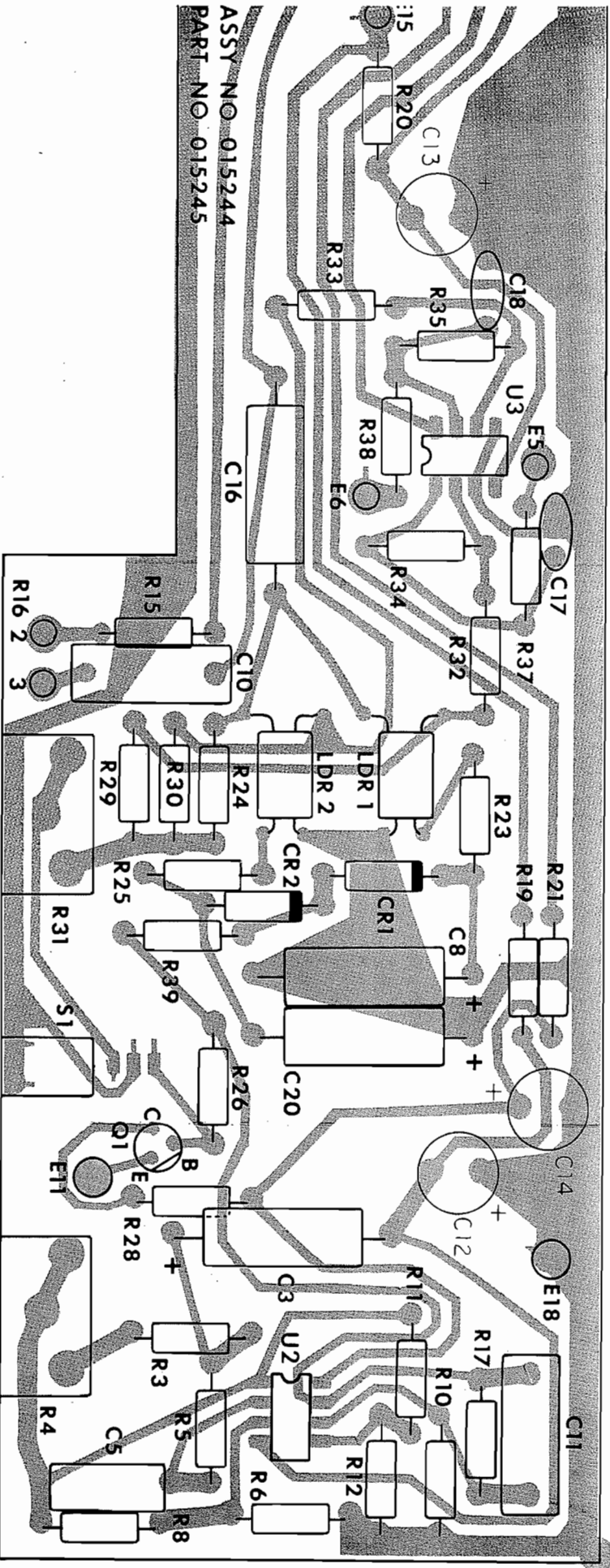


Figure 11-2. Printed Circuit Board --
 Preamplifier Assembly - 100 Watt
 Suitcase and Janus I

LIST OF MATERIALS

QTY	PART NO.	DESCRIPTION	WHERE USED
2	097360	NUT #4-40 EXT. LOCK WASHER	A1, A2
2	027979	SCREW #4-40 X 1/4 PAN HD	A1, A2
1	013542	CONNECTOR - MALE 7 PIN	P3
1	013564	REGULATOR -15V MC7915P	A1
1	013562	REGULATOR +15V MC7815P	A2
4	072934	DIODE 3 AMP 100V	CR1, 2, 3, 4
2	012329	CAPACITOR - 1000 uf 35V	C1, C2
2	033389	CAPACITOR - 500 uf 15V	C3, C4
1	013395	PRINTED CIRCUIT BOARD	

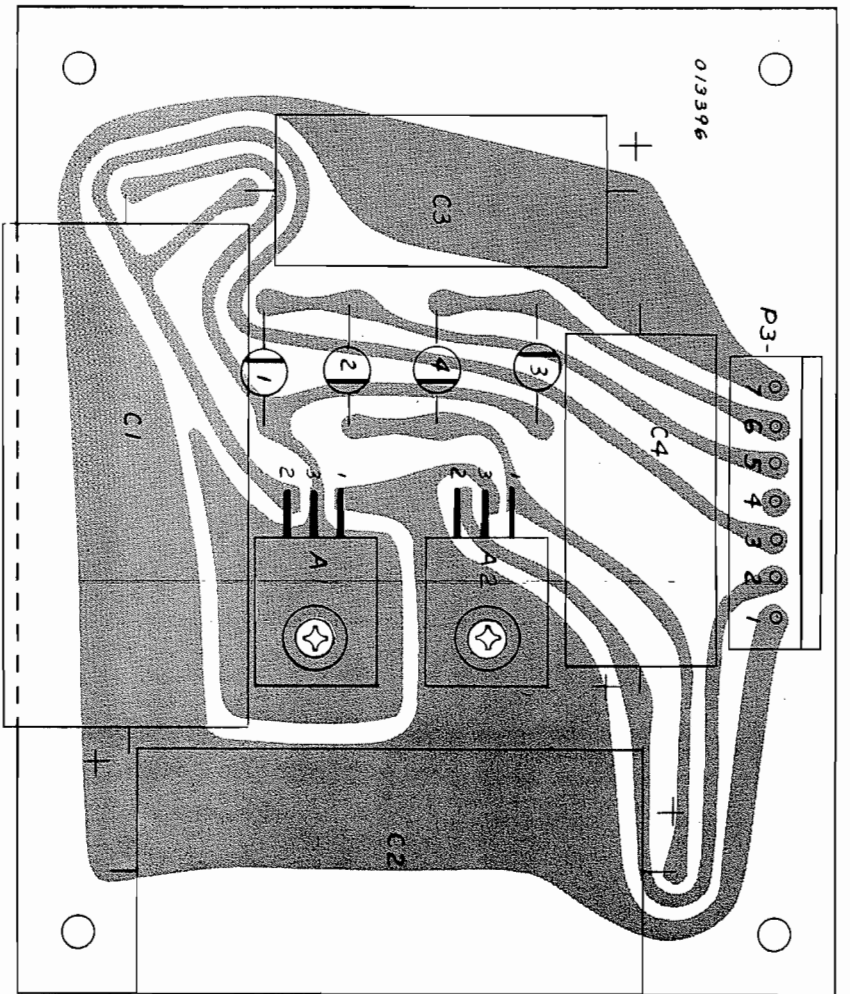


Figure 11-5. Printed Circuit Board -
 ±15 Volt Regulator - 100 Watt
 Suitcase and Jannus I Power Amplifier

11-7/11-8

QTY	PART NO.	DESCRIPTION	WHERE USED
2	060962	CAPACITOR .001 F 1KV	C6, 8
1	020883	CAPACITOR 10 μ F 1KV	C7
2	029983	LOCK WASHER, INTERNAL +4	Q6, Q7
2	097360	NUT - 4-40 LOCK WASHER	Q6, Q7
2	027979	SCREW - 4-40 PAN HEAD	Q6, Q7
A/R	023994	SOLDER	
1	013544	CONNECTOR 8 PIN	P1
1	013539	CONNECTOR 6 PIN	P2
2	037853	HEATSINK TO-5 CASE	Q4, Q5
1	013568	TRANSISTOR RCA 30B	Q7
1	013569	TRANSISTOR RCA 29B	Q6
1	013567	TRANSISTOR 2N5781	Q4
4	013566	TRANSISTOR 2N5784	Q1, Q2, Q3, Q5
4	004125	RESISTOR ASSY NICHROME 2, 10W	R18, R19, R20, R21
1	014584	RESISTOR 500 (BIAS ADJ)	R12
1	012087	RESISTOR 100K (OFFSET ADJ)	R8
1	012546	RESISTOR 5.6K, 1W 10%	R6
1	096339	RESISTOR 68, 1W 10%	R10
1	012545	RESISTOR 33 1W 10%	R9
2	021345	RESISTOR 100K, 1/2W 10%	R1, R2
1	021246	RESISTOR 3.3K, 1/2W 10%	R7
2	021196	RESISTOR 820, 1/2W 10%	R3, R5
1	073569	RESISTOR 330, 1/2W 10%	R4
1	011302	RESISTOR 150, 1/2W 10%	R11
3	021170	RESISTOR 100, 1/2W 10%	R13, R14, R15
2	061218	RESISTOR 4.7, 1/2W 10%	R16, R17
1	031062	RESISTOR 4.7K, 1/2W 10%	R22
1	006260	DIODE SIGNAL IN4148	CR1
7	064089	DIODE 1 AMP 200V	CR2, 3, 4, 5, 6, 7, 8
1	068296	CAPACITOR 1.0 - .15V	C2
1	069054	CAPACITOR 5 - .25V	C1
1	010542	CAPACITOR .0047	C3
1	012835	PRINTED CIRCUIT BOARD	

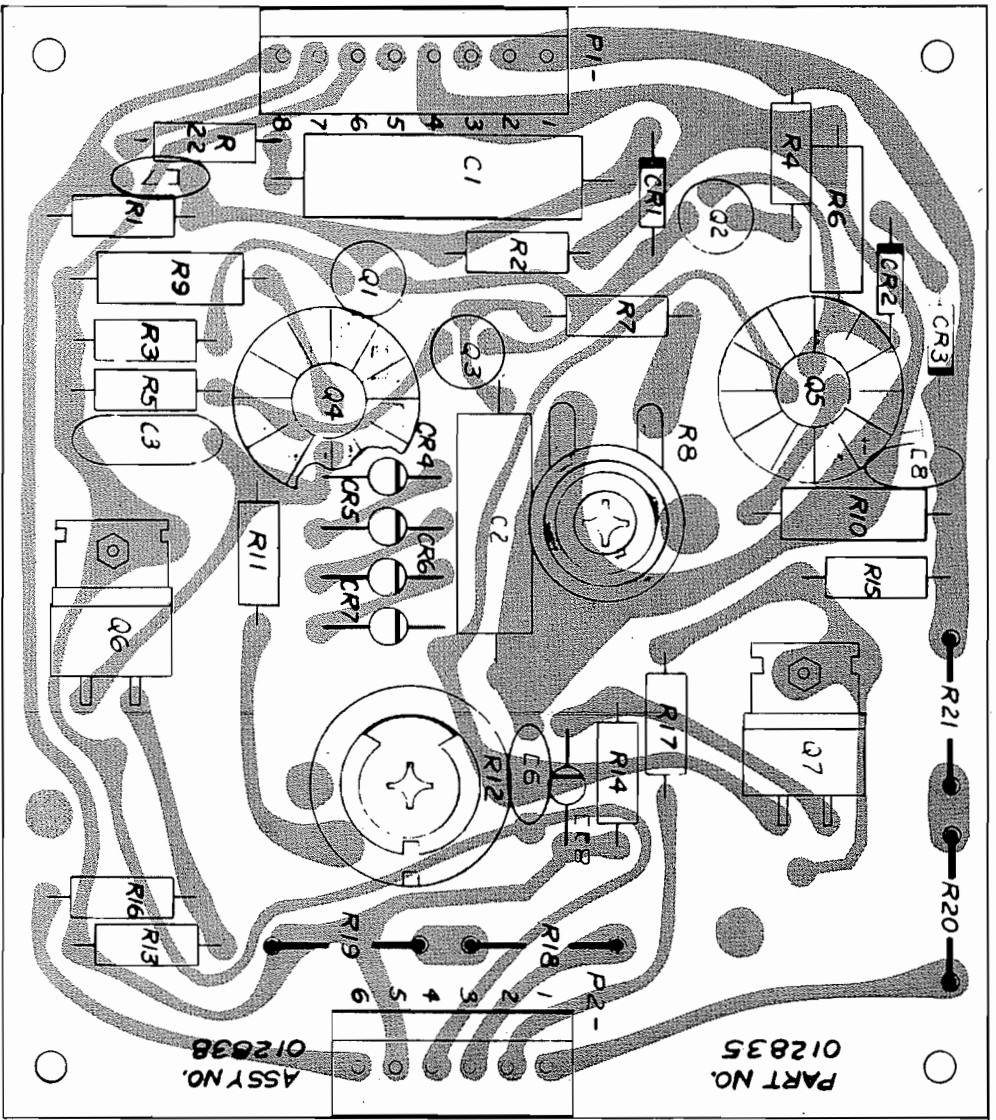


Figure 11-6. Printed Circuit Board -
50 Watt Power Amplifier -
Suitease Piano

11-9/11-10

QTY	PART NO.	DESCRIPTION	WHERE USED
2	060982	CAPACITOR .001 F 1KV	C6, 8
1	020883	CAPACITOR 10PF 1KV	C7
2	029983	LOCK WASHER, INTERNAL #4	Q6, Q7
2	097360	NUT - 4-40 LOCK WASHER	Q6, Q7
2	027979	SCREW - 4-40 PAN HEAD	Q6, Q7
A/R	023994	SOLDER	
1	013544	CONNECTOR 8 PIN	P1
1	013539	CONNECTOR 6 PIN	P2
2	037853	HEATSINK TO-5 CASE	Q4, Q5
1	013568	TRANSISTOR RCA 30B	Q7
1	013569	TRANSISTOR RCA 29B	Q6
1	013567	TRANSISTOR 2N5781	Q4
4	013566	TRANSISTOR 2N5784	Q1, Q2, Q3, Q5
1	021493	RESISTOR 220K, 1/2W 10%	R1
4	004125	RESISTOR ASSY NICHROME 2, 10W	R18, R19, R20, R21
1	014584	RESISTOR 500 (BIAS ADJ)	R12
1	012087	RESISTOR 100K (OFFSET ADJ)	R8
1	012546	RESISTOR 5.6K, 1W 10%	R6
1	096339	RESISTOR 68, 1W 10%	R10
1	012545	RESISTOR 33, 1W 10%	R9
1	021345	RESISTOR 100K, 1/2W 10%	R2
1	021246	RESISTOR 3.3K, 1/2W 10%	R7
2	021196	RESISTOR 820, 1/2W 10%	R3, R5
1	073569	RESISTOR 330, 1/2W 10%	R4
1	011302	RESISTOR 150, 1/2W 10%	R11
3	021170	RESISTOR 100, 1/2W 10%	R13, R14, R15
2	061218	RESISTOR 4.7, 1/2W 10%	R16, R17
1	031062	RESISTOR 4.7K, 1/2W 10%	R22
1	006260	DIODE SIGNAL IN4148	CR1
7	064089	DIODE 1 AMP 200V	CR2, 3, 4, 5, 6, 7, 8
1	068296	CAPACITOR 1.0, 15V	C2
1	069054	CAPACITOR 5 - 25V	C1
1	010542	CAPACITOR .0047	C3
1	012835	PRINTED CIRCUIT BOARD	

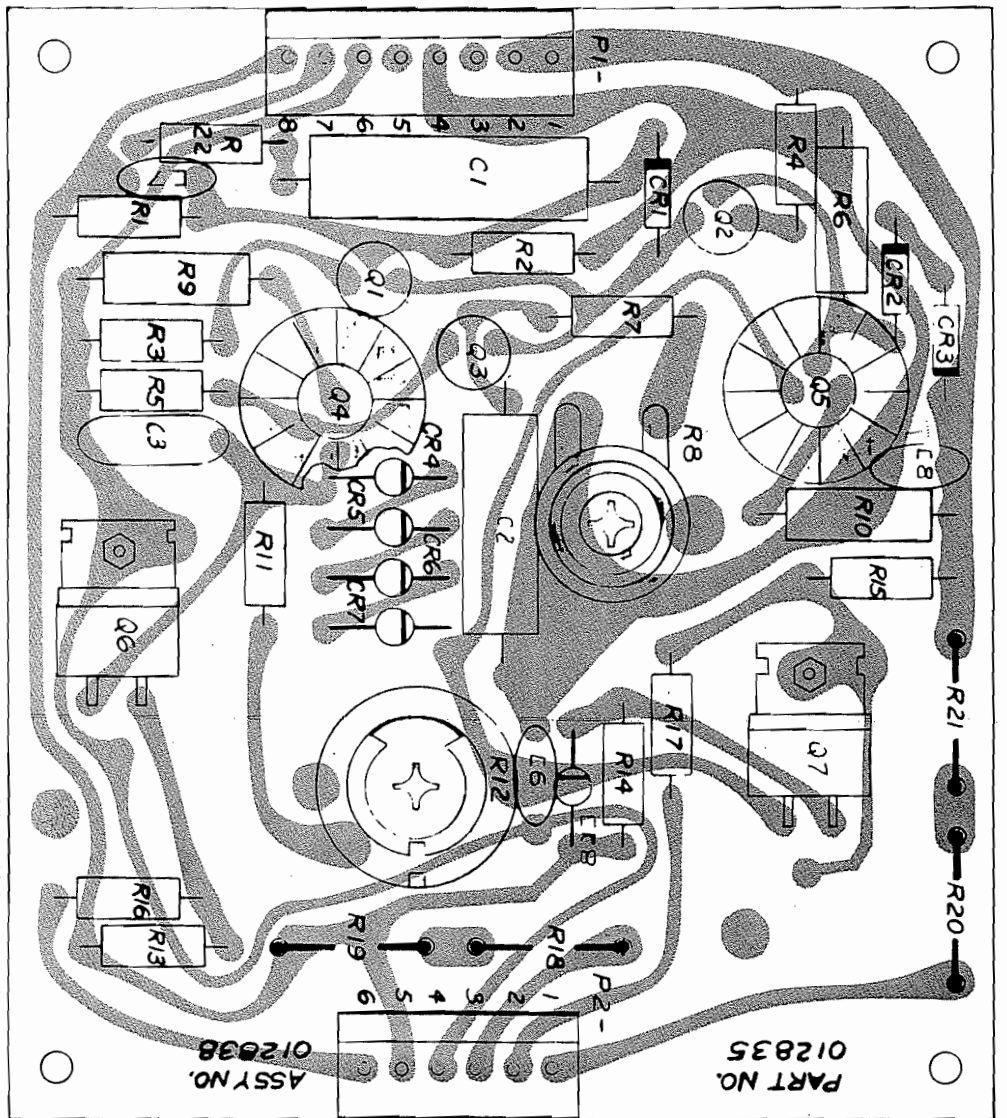
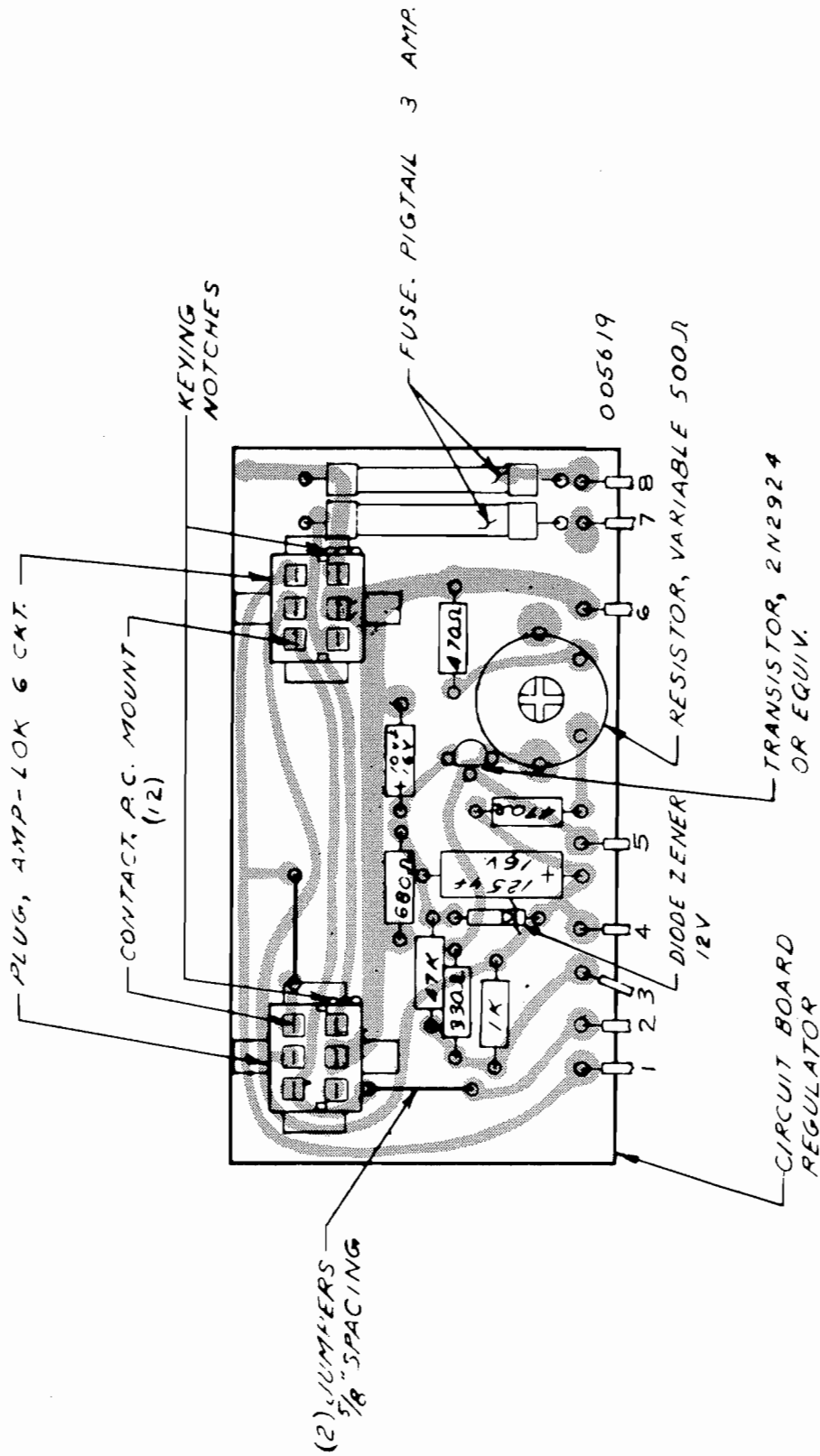


Figure 11-7. Printed Circuit Board -
50 Watt Power Amplifier -
Janus I

11-11/11-12

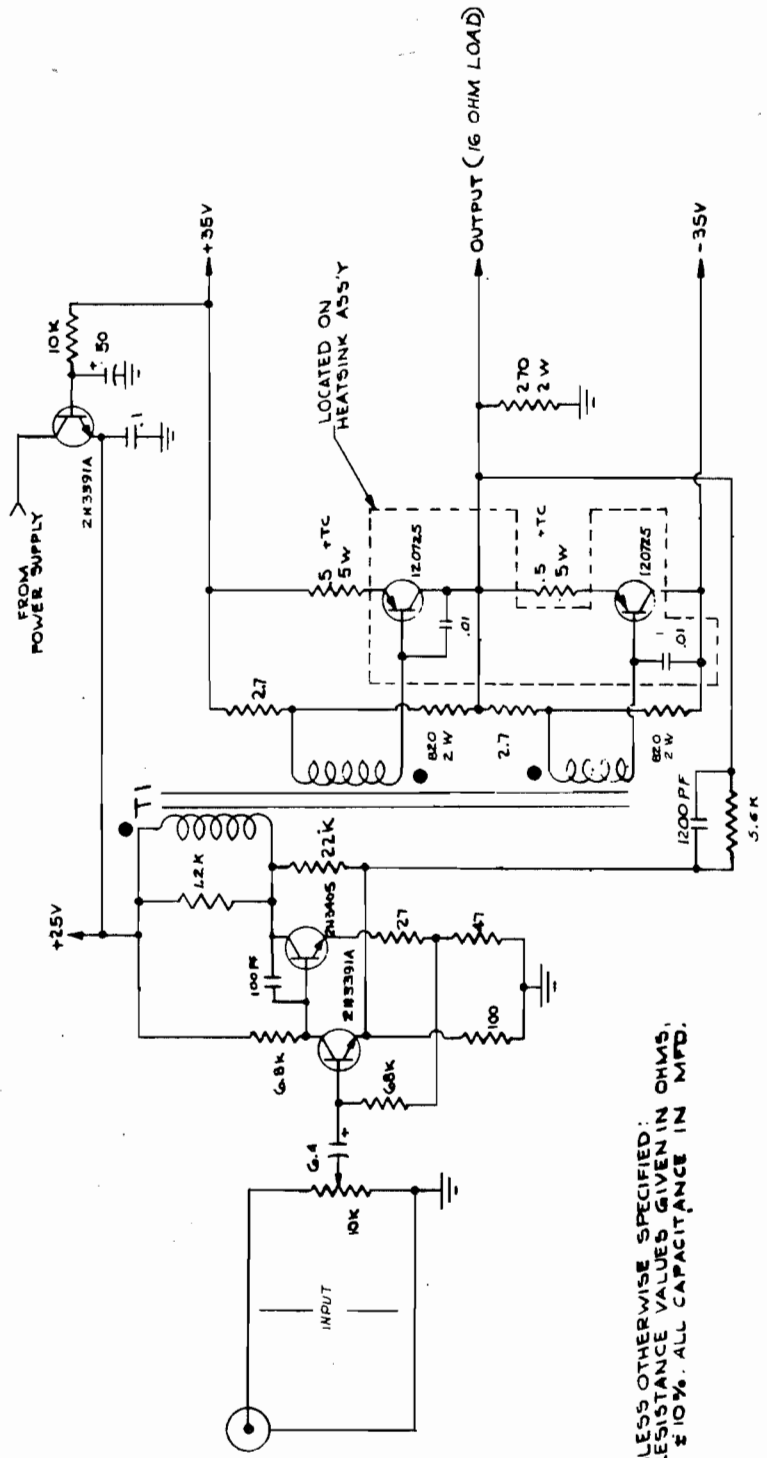


6710-35

COMPONENT SIDE
SHOWN

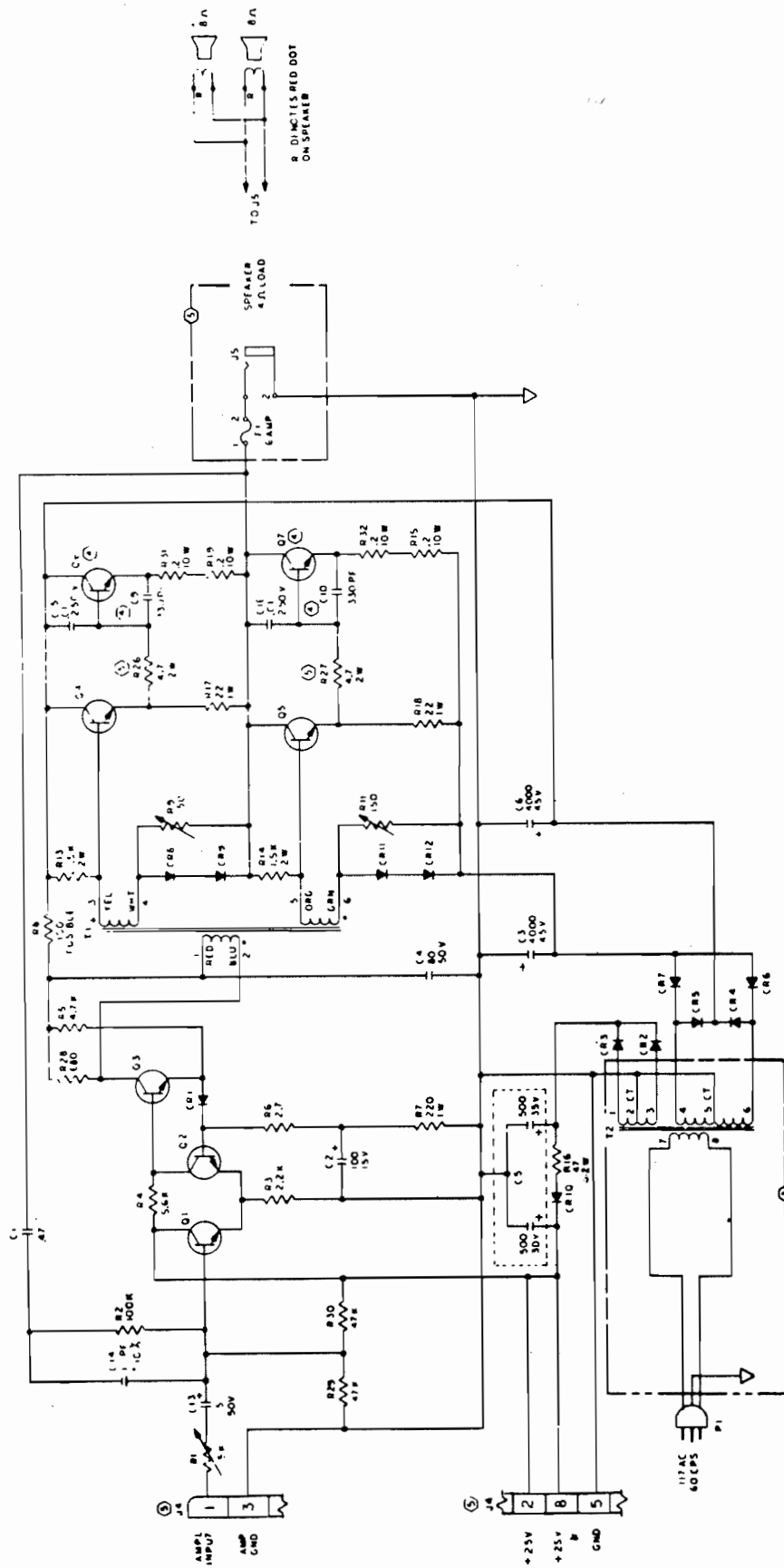
Figure 11-11. Circuit Board Assembly — Power Supply Regulator (Peterson Design) — 80 Watt Suitcase

Vintage Vibe
 9 Everment Rd.
 Wharton, NJ 07885
 917-880-9763
 www.vintagevibe.com



NOTES: UNLESS OTHERWISE SPECIFIED:
 1. ALL RESISTANCE VALUES GIVEN IN OHMS,
 1/2 W, ± 10%. ALL CAPACITANCE IN MFD.

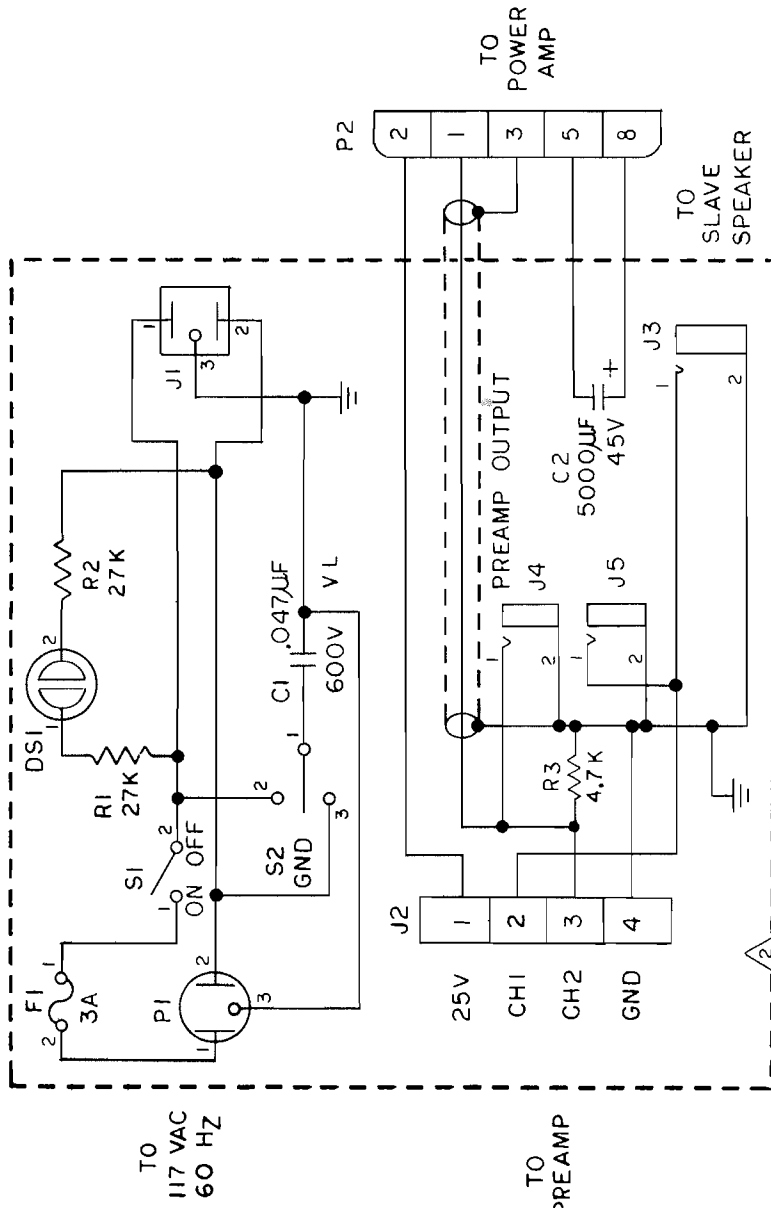
Figure 11-9. Schematic — Power Module — 80 Watt Suitcase



9. TRANSISTORS G1, G2 - CBS P/M 037168 (SELECTED 2M3393), G3 - CBS P/N 035213 (SELECTED 2M3053), G4, G5 - CBS P/M 037077 (SELECTED 2M3054), G6, G7 - CBS P/M 001568 (SELECTED 2M3772).
 8. DIODES CR8, CR11 - 2A GERMANIUM CR1, CR2, CR3, CR9, CR10, CR12, -2A, 100V SILICON, CR4, CR5, CR6, CR7 -3A 100V SILICON
 7. ALL COMPONENT VOLTAGE VALUES ARE MINIMUM, ONLY HIGHER VOLTAGE VALUES MAY BE USED.
 6. ALL COMPONENTS ARE MOUNTED ON P.C. BOARD
 - ⑤ COMPONENT MOUNTED ON CHASSIS
 - ④ COMPONENT MOUNTED ON HEATSINK
 3. ALL CAPACITORS ARE RATED WITH VALUES IN MICROFARADS ±20%, ELECTROLYTIC -20%, +150%.
 2. ALL RESISTORS ARE 1/2 WATT, VALUES IN OHMS ±10%.
- NOTES UNLESS OTHERWISE SPECIFIED.

Figure 11-12. Schematic - Power Amplifier, Master and Slave - Super Satellite

Vintage Vibe
 9 Everett Rd.
 Wharton, MI 49885
 917-880-9763
 www.vintagevibe.com

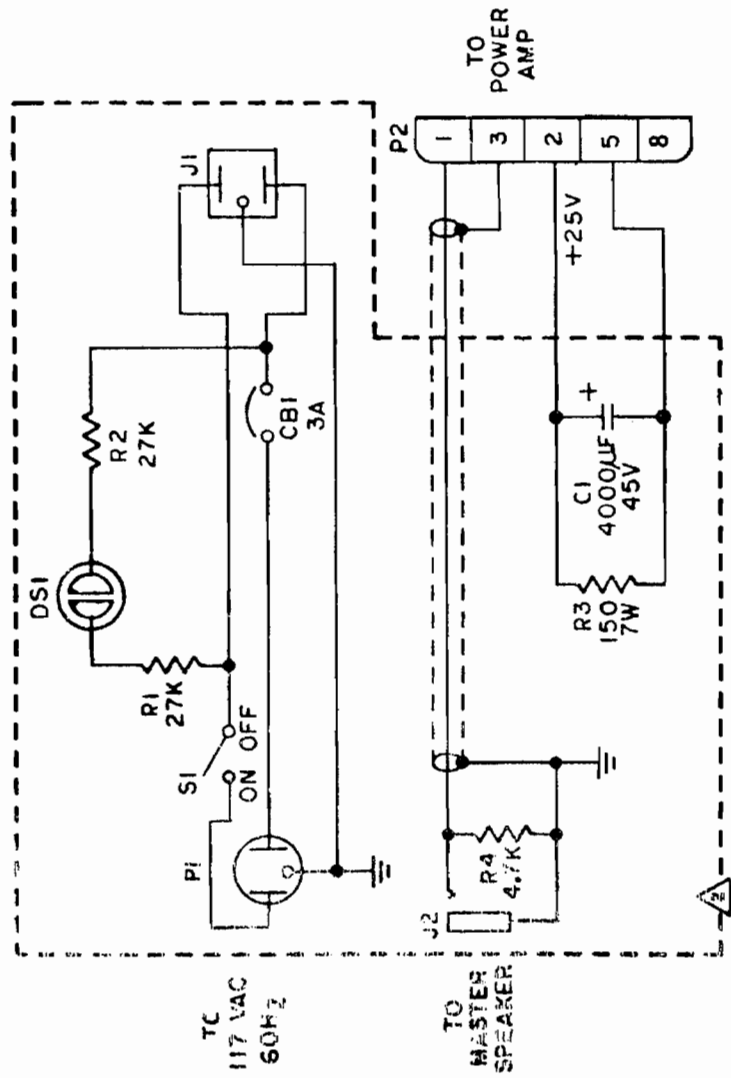



3. ALL RESISTORS ARE 1/2 WATT, VALUES IN OHMS $\pm 10\%$.

△ COMPONENTS MOUNTED ON POWER CONTROL PANEL

NOTES: UNLESS OTHERWISE SPECIFIED

Figure 11-13. Schematic — Power Control Panel, Master — Super Satellite



- 3. ALL RESISTORS ARE 1/2 WATT VALUES IN OHMS $\pm 10\%$.
-  COMPONENTS MOUNTED ON POWER CONTROL PANEL.

NOTES: UNLESS OTHERWISE SPECIFIED

Figure 11-14. Schematic — Power Control Panel, Slave — Super Satellite

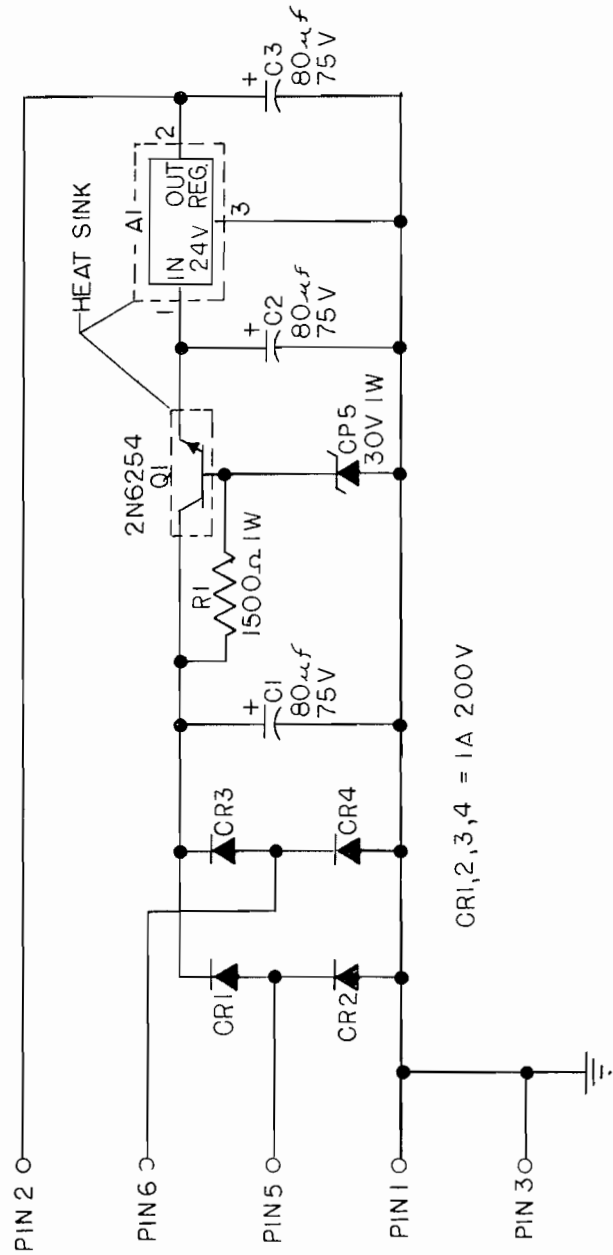
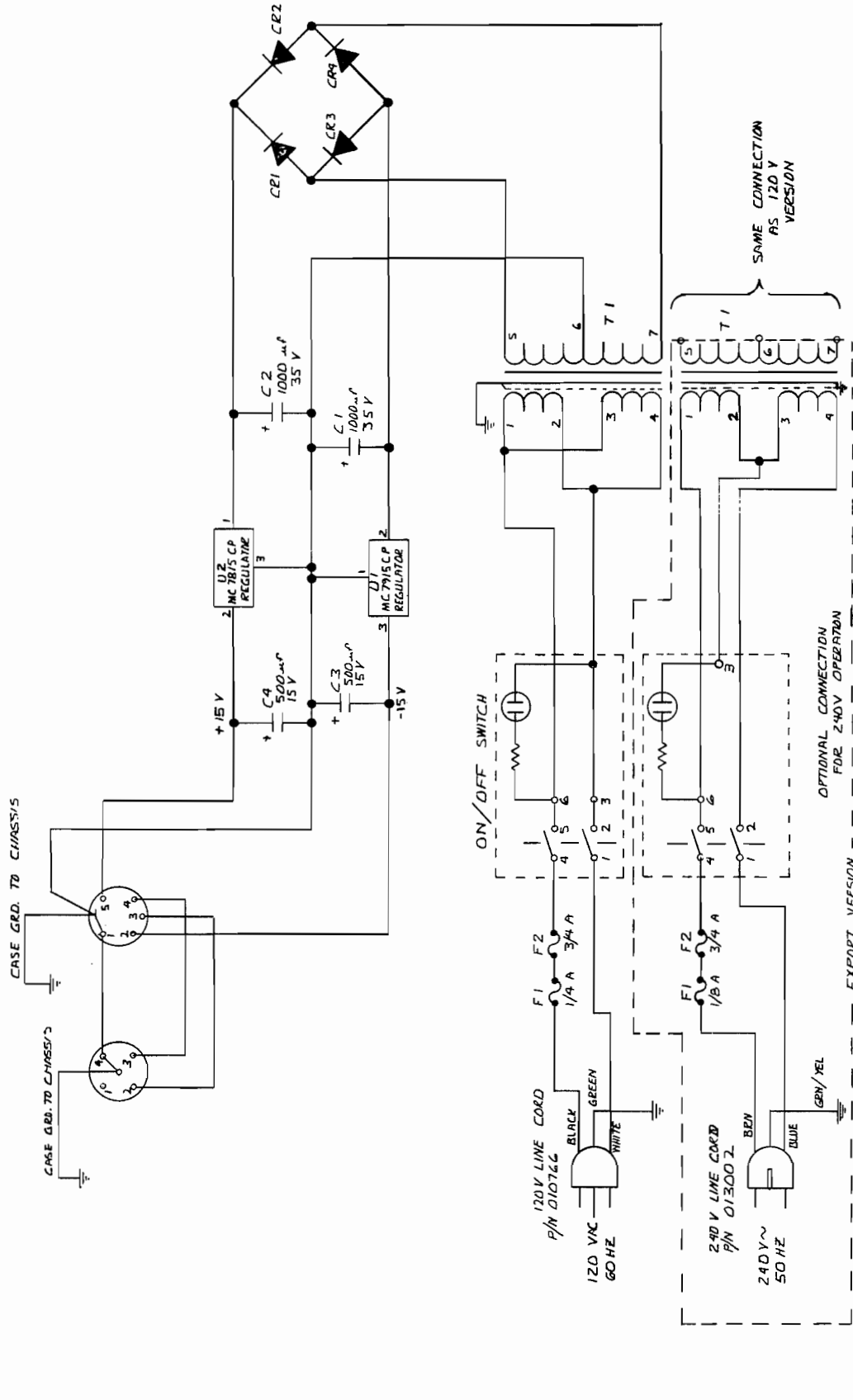
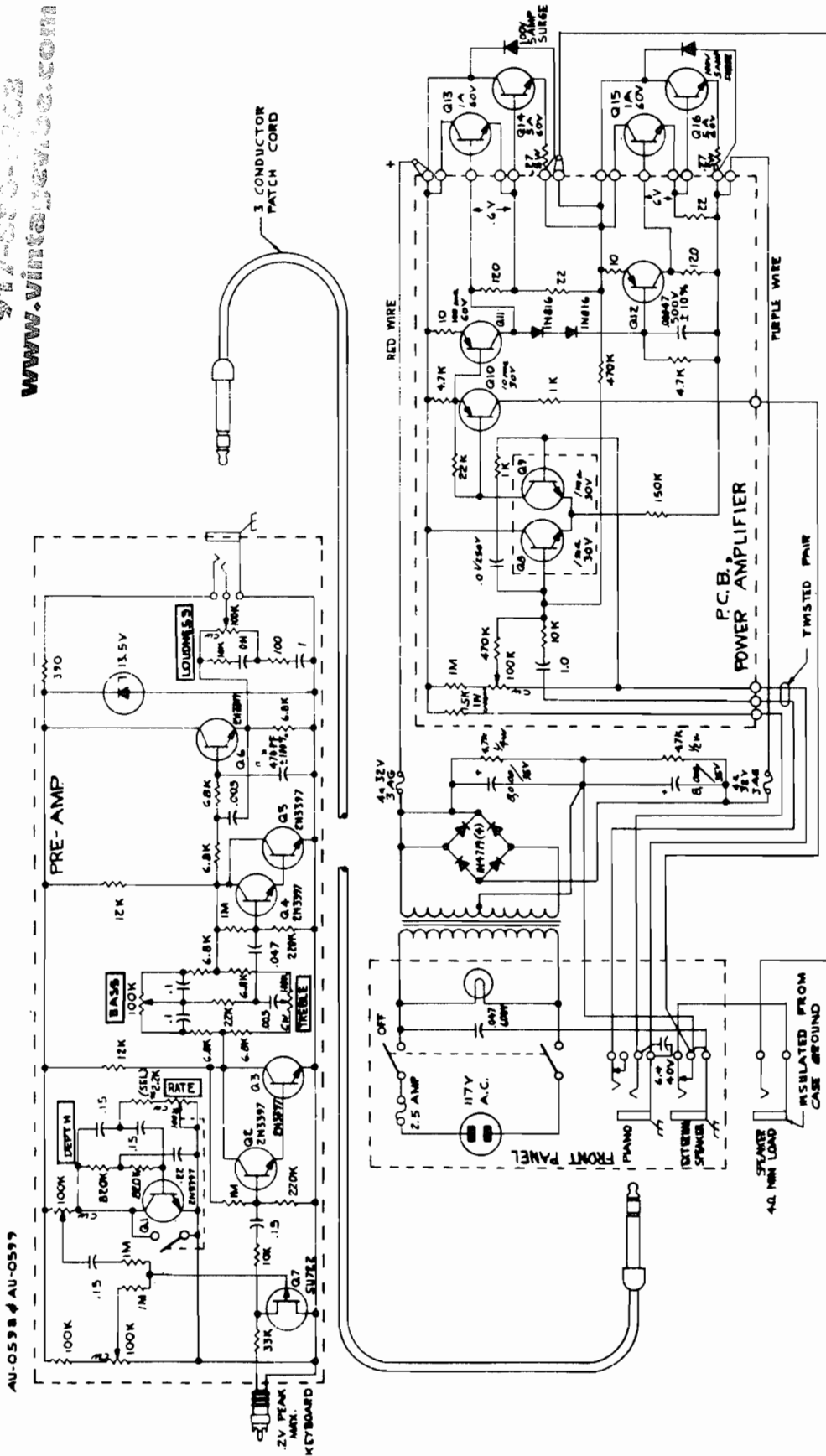


Figure 11-15. Schematic — Converter Kit I



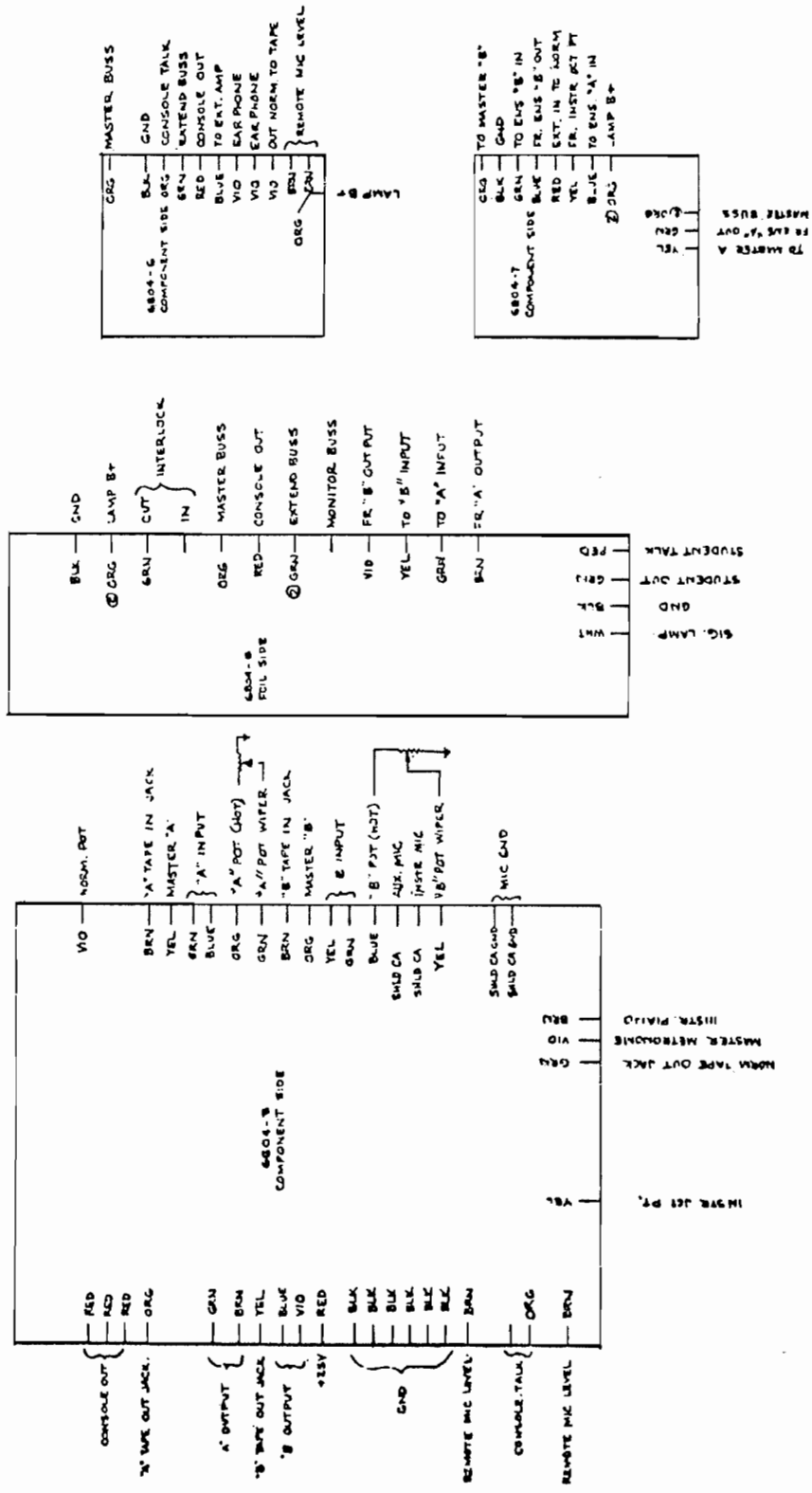
1. DIODES CR1 THRU CR4 ARE 3 A 100V.
2. ALL CAPACITORS VALUES ARE GIVEN IN MICRO FARADS.
3. TRANSFORMER T1 P/N 014248 HAS A DUAL PRIMARY FOR 120 & 240 V OPERATION

Figure 11-16. Schematic — Converter Kit II



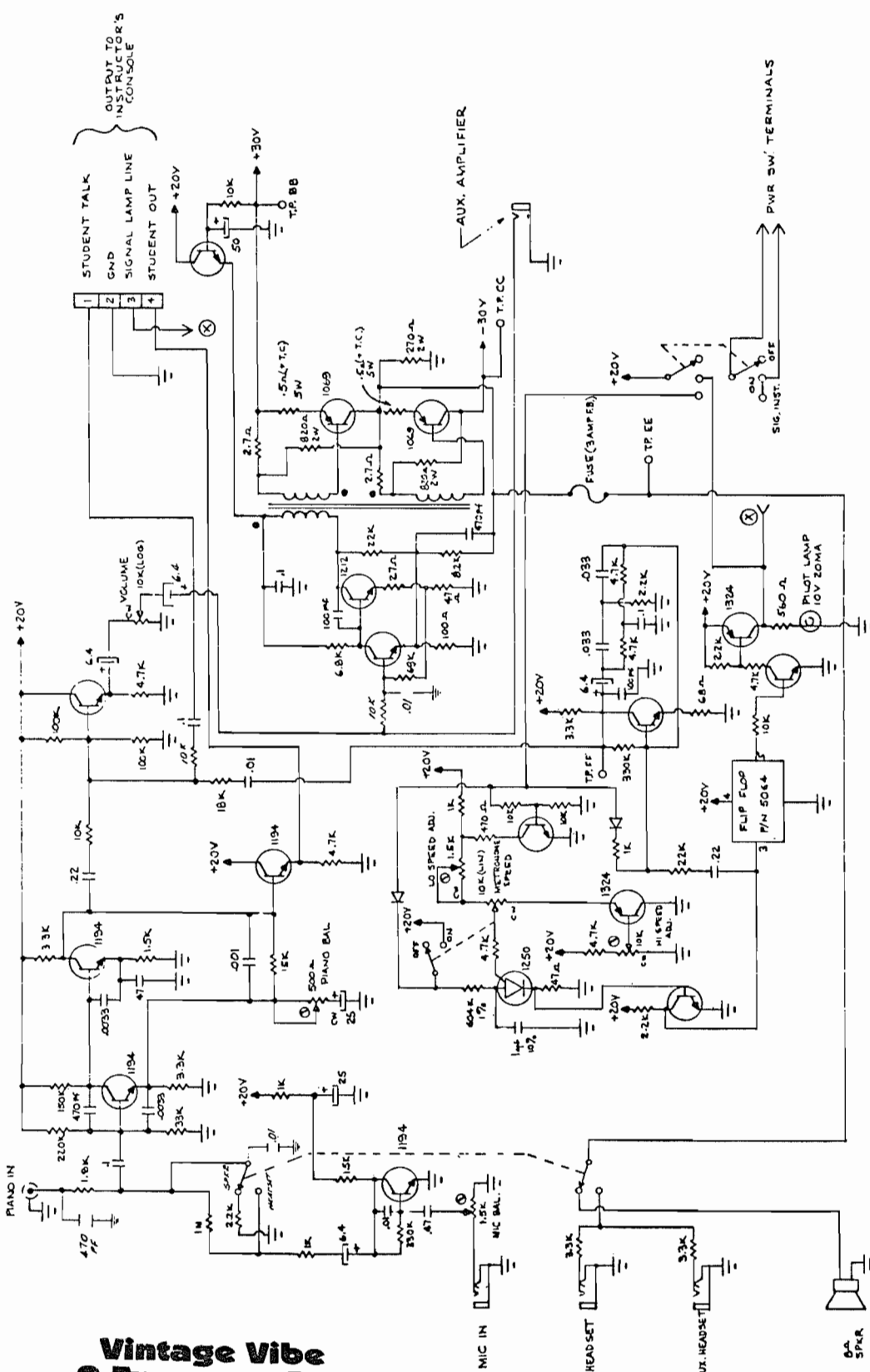
1. ALL RESISTORS ARE 1/4 W ± 5%.
 NOTES: UNLESS OTHERWISE SPECIFIED.

Figure 11-17. Schematic — Preamplifier and Power Amplifier (Jordan Design) — Suitcase Piano (Pre 1969)



1. FROM PETERSON DRAWING NO. 6804-18
 NOTES: UNLESS OTHERWISE SPECIFIED

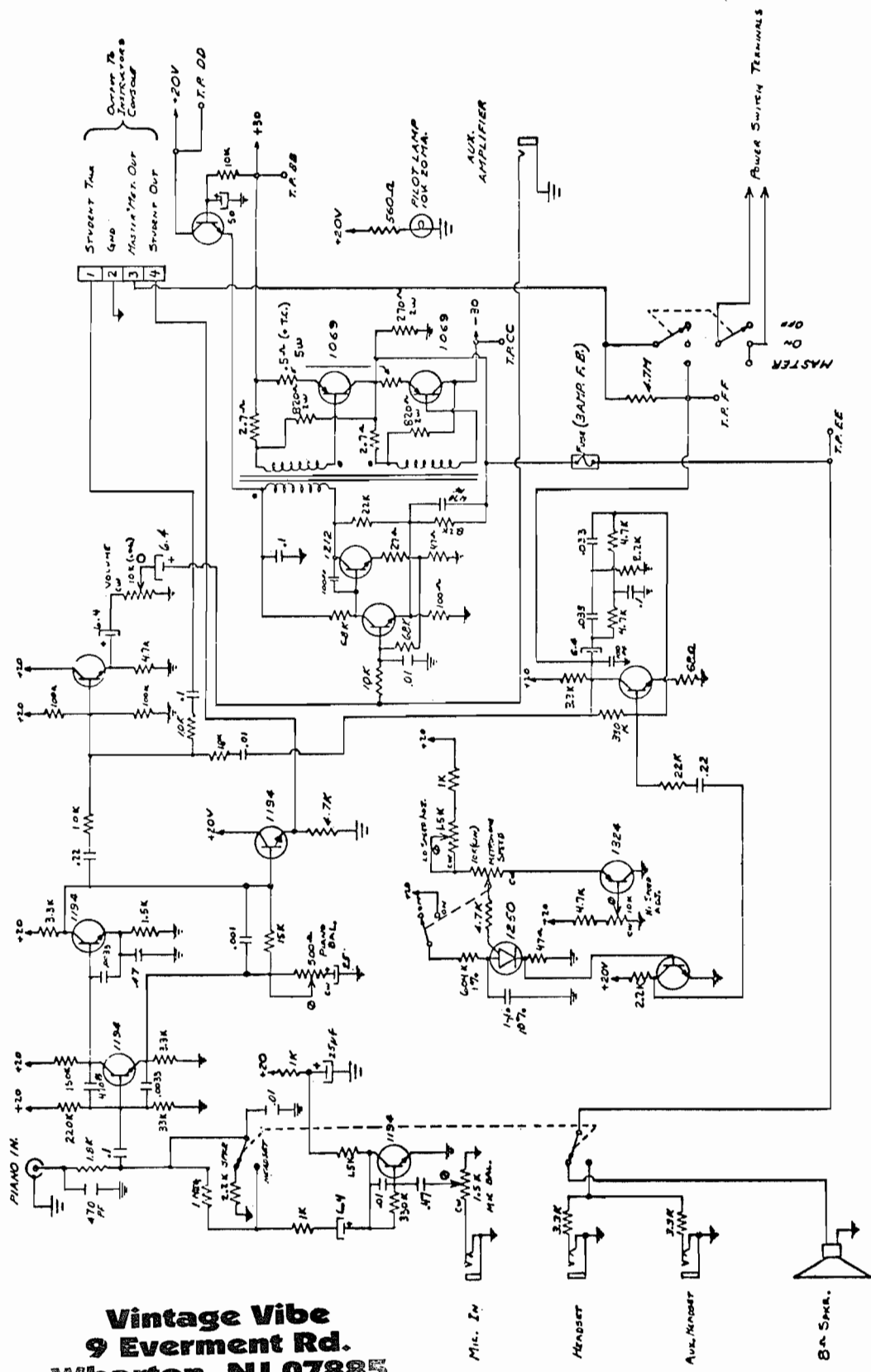
Figure 11-18. Connection Diagram — All Printed Circuit Boards — Instructor Console



- NOTES:
1. ALL RESISTORS 1/2 W. 10%. ALL CAPACITORS IN MFD. UNLESS OTHERWISE SPECIFIED
 2. ALL TRANSISTORS ARE 1129 S OR EQUIV EXCEPT AS NOTED
 3. TRANSFORMER P/N 1041
 4. FOR POWER SUPPLY SEE DWG # 6803-5

Figure 11-19. Schematic — Preamplifier and Power Amplifier — Student Piano (First Version — 1968)

Vintage Vibe
9 Everment Rd.
Wharton, NJ 07885
917-880-9763
www.vintagevibe.com



Vintage Vibe
 9 Everment Rd.
 Wharton, NJ 07885
 917-880-9763
 www.vintagevibe.com

- NOTES**
1. All Resistors to 10%, All Capacitors in μf or μsec , unless otherwise specified.
 2. All Transistors **1129** or **6BM5**, Except As Noted.
 3. Transistors **117** or **1041**.
 4. FOR POWER SUPPLY SEE DWG. 6003-S

Figure 11-20. Schematic — Preamplifier and Power Amplifier — Instructor Piano (First Version — 1968)

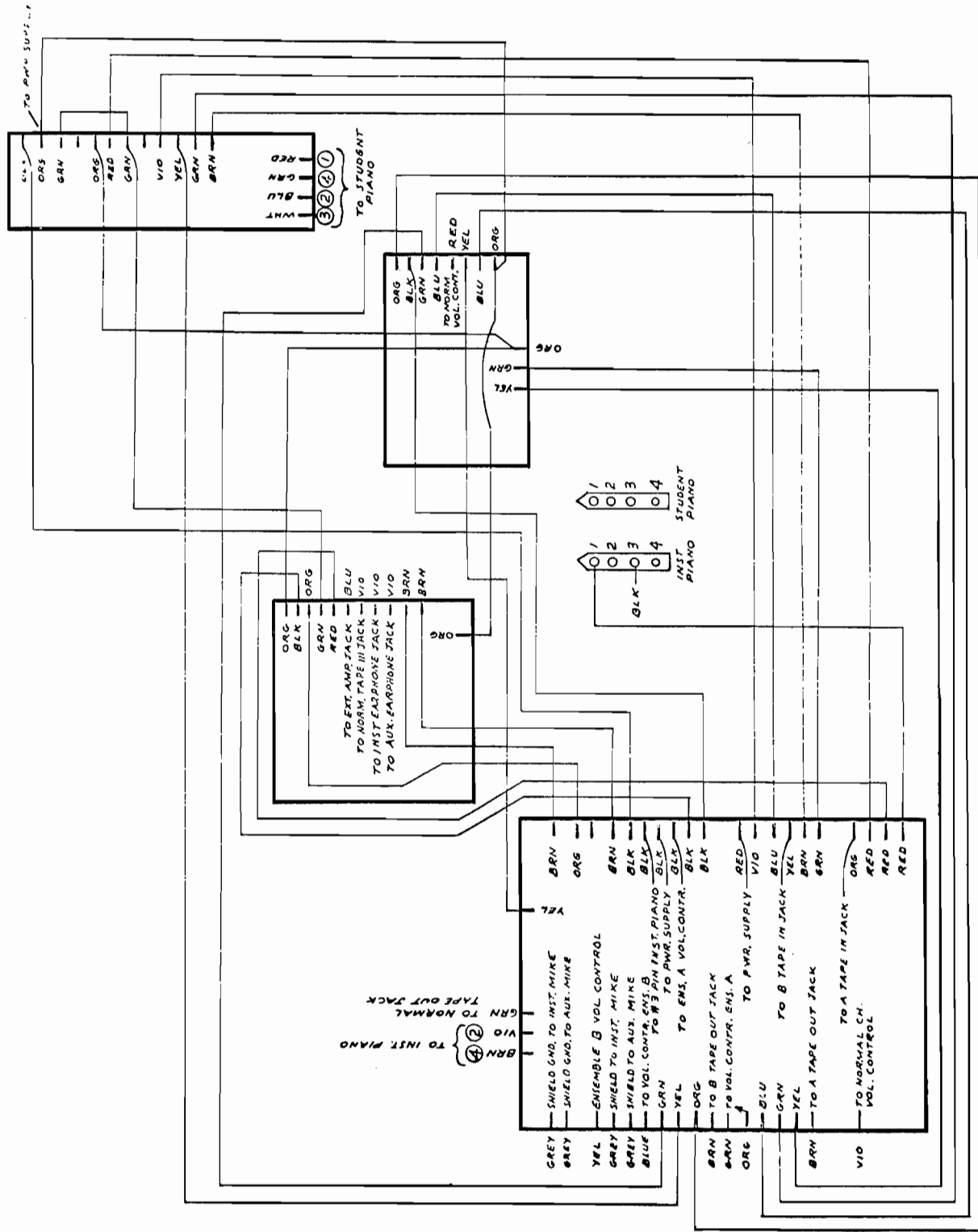


Figure 11-21. Wiring Diagram — Instructor Console

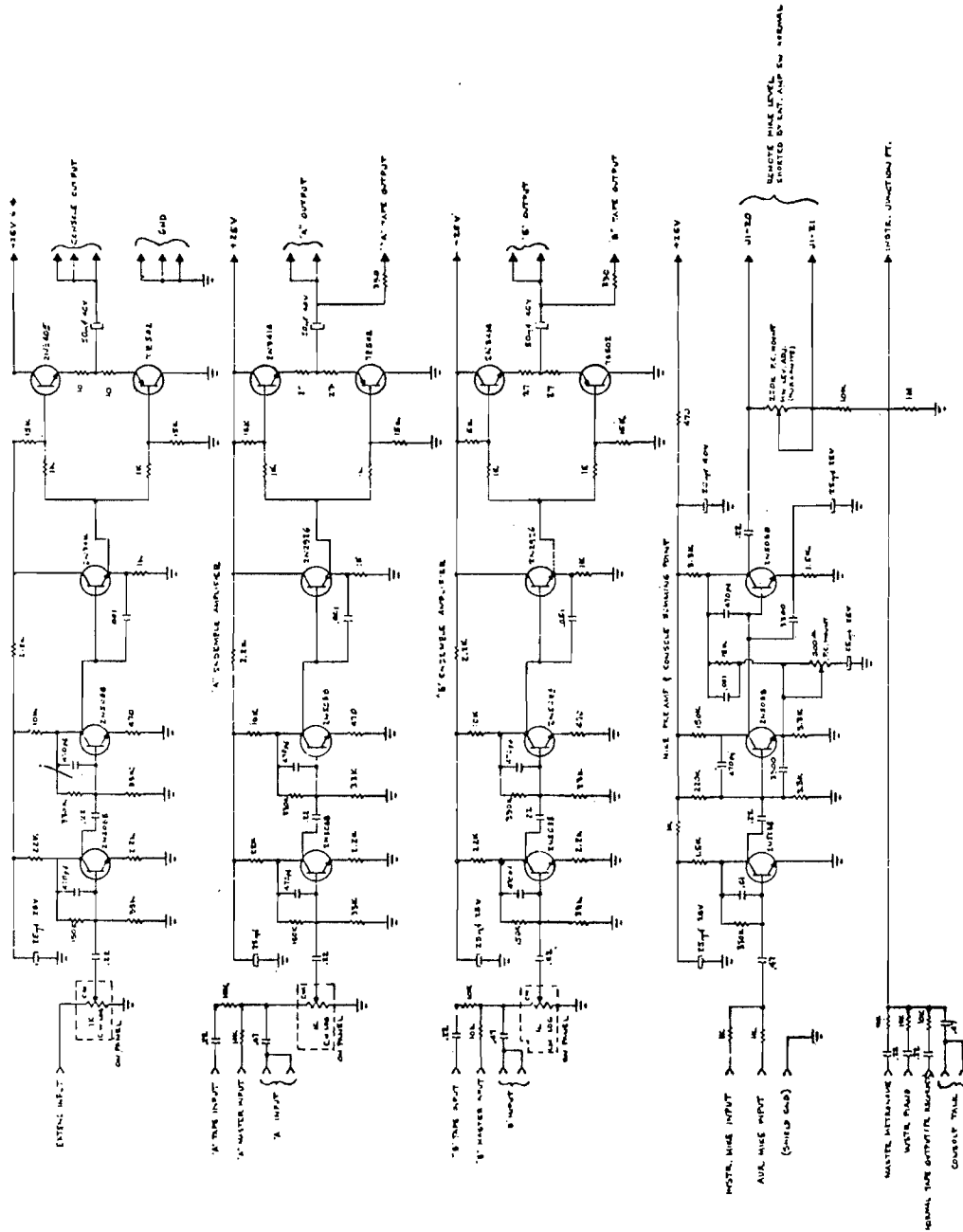
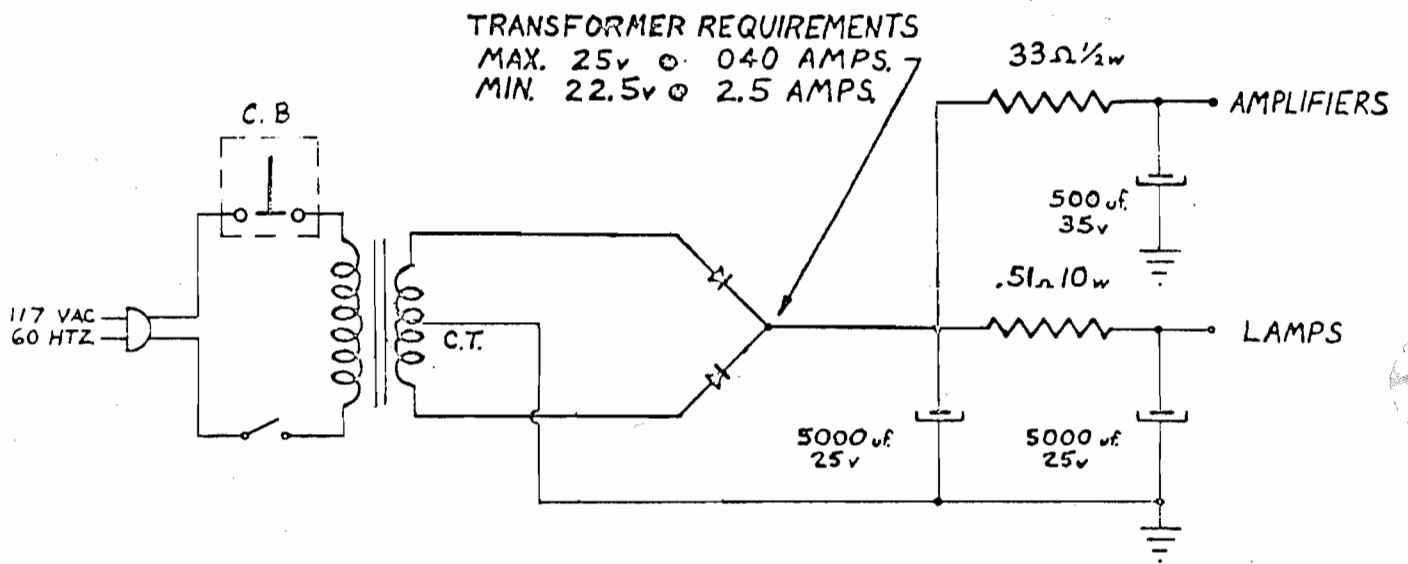


Figure 11-22. Schematic — Master Circuit Board — Instructor Console



Vintage Vibe
 9 Everment Rd.
 Wharton, NJ 07885
 917-860-9763
www.vintagevibe.com

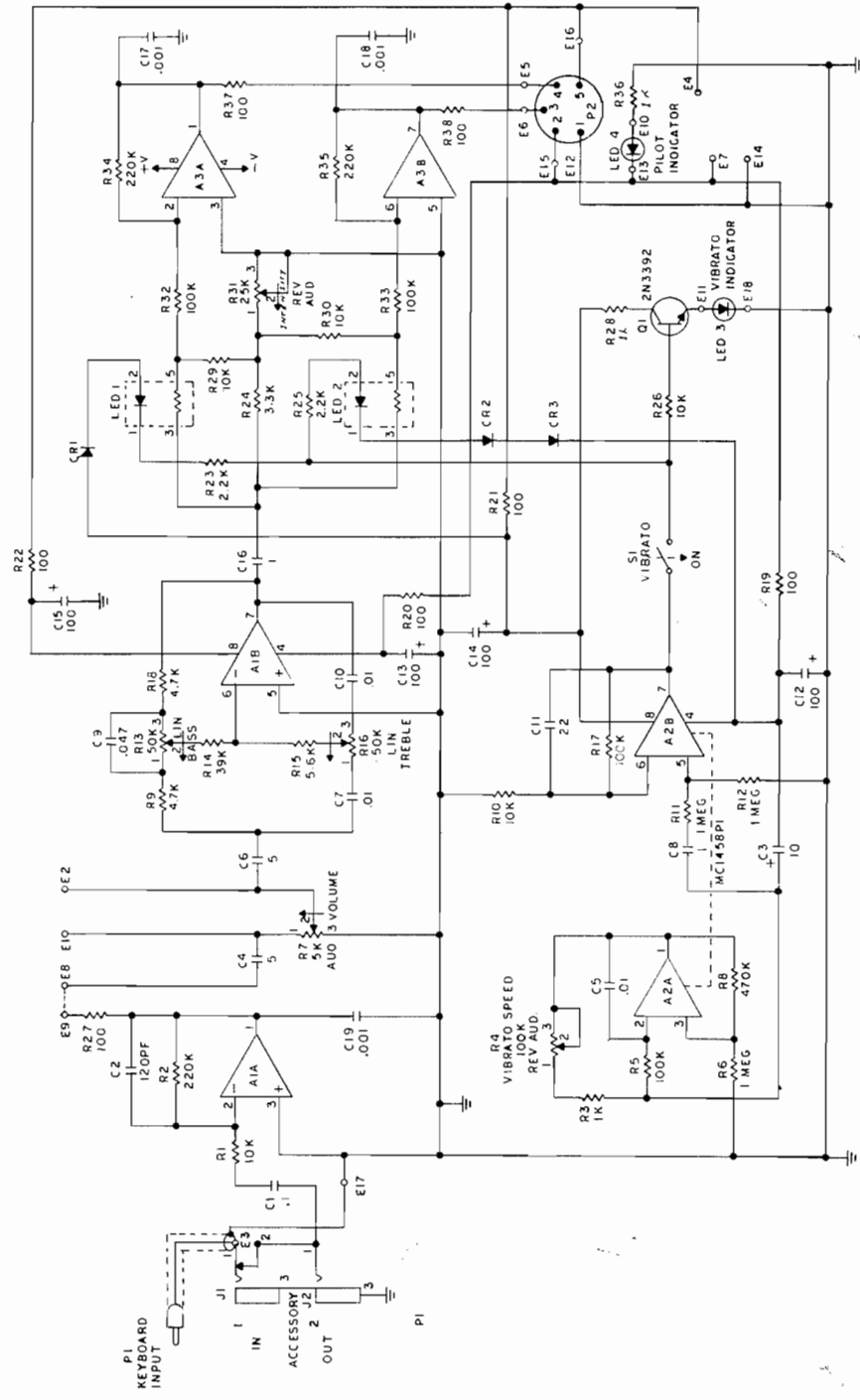
Figure 11-23. Schematic — Power Supply — Instructor Console

CHAPTER ELEVEN
DIAGRAMS, SCHEMATICS AND PICTORIALS

Due to the specialized nature of Electric and/or Electronic repairs, RHODES limits this Chapter to Circuit Board Pictorials, Wiring Diagrams, and Schematics with the intention of aiding the qualified technician.

CAUTION

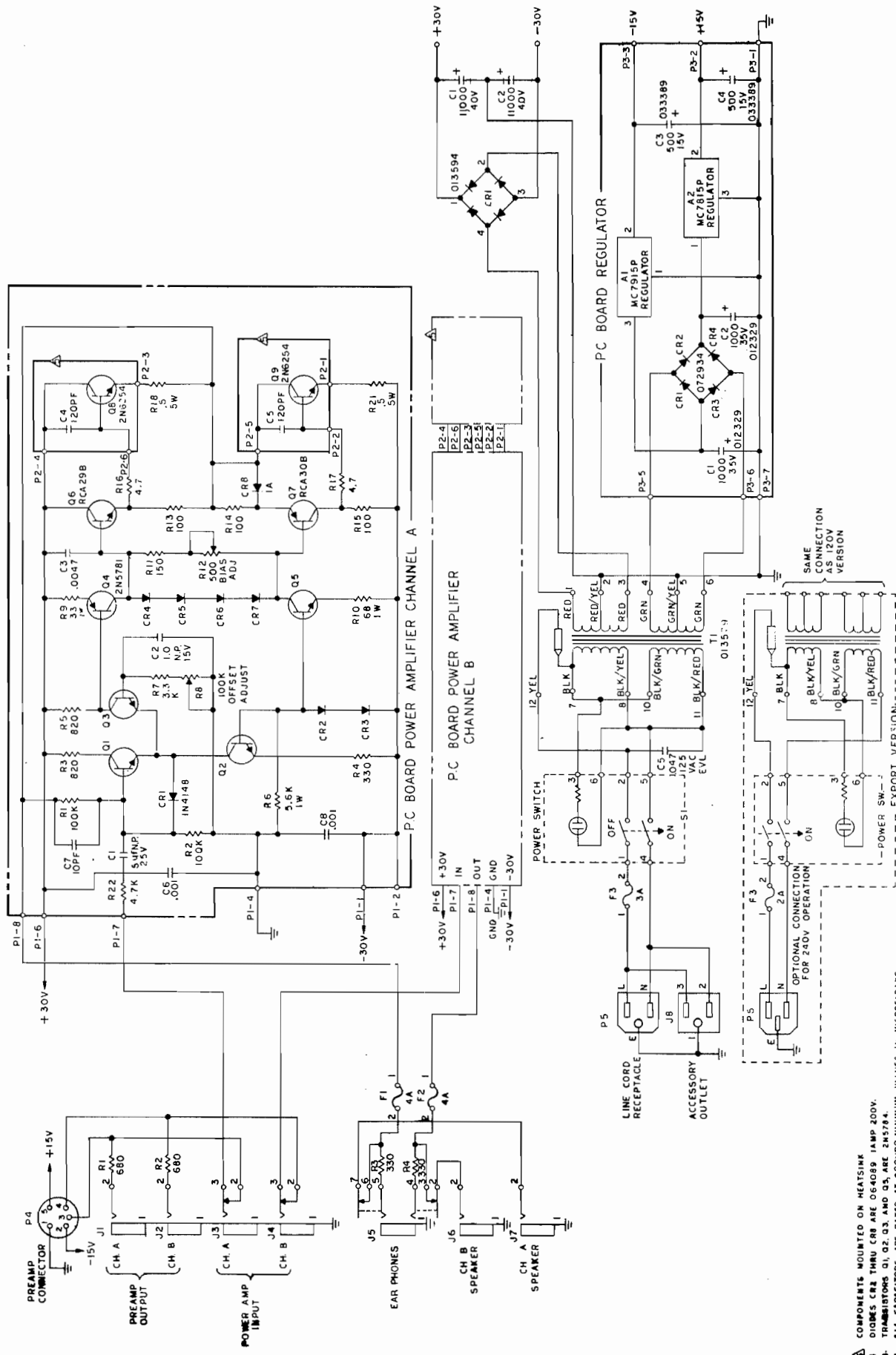
To avoid possible personal injury or damage to the unit, all electronic repair and adjustment should be accomplished by a qualified technician.



2. ALL CAPACITORS ARE RATED AT 15 VDC MINIMUM, VALUES IN MICROFARADS * 20% ELECTROLYTIC -20% +150%
 1. ALL RESISTORS ARE 1/2 WATT VALUES IN OHMS, *10%
 NOTES: UNLESS OTHERWISE SPECIFIED

Figure 11-1. Schematic — Preamplifier Assembly — 100 Watt Suitcase and Janus I

87-256824 weeks



- ▲ COMPONENTS MOUNTED ON HEATSINK
- DIODES CR2 THRU CR8 ARE 064089 1AMP 200V.
 - TRANSISTORS Q1, Q2, Q3, AND Q5, ARE 2N5784.
 - ALL CAPACITORS ARE RATED AT 200VDC MINIMUM, VALUES IN MICROFARADS.
 - ALL RESISTORS ARE 1/2 WATT VALUES IN OHMS ± 0.5%.
- NOTE: USE THE OTHERWISE SPECIFIED

Figure 11-3. Schematic — Dual 50 Watt Power Amplifier — 100 Watt Suitcase and Janus I

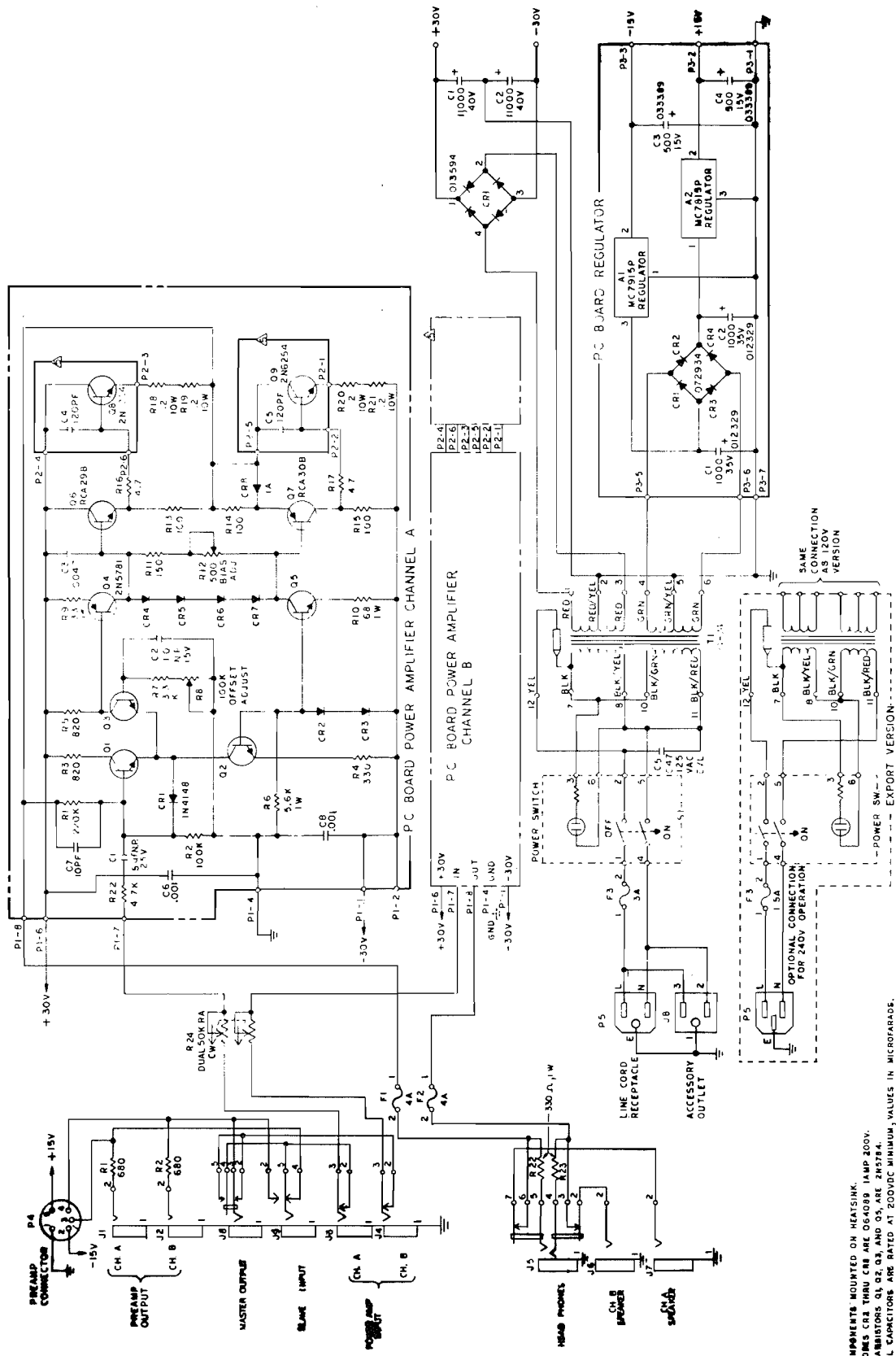


Figure 11-4. Schematic — Power Amplifier — Janus I

CUTTING INSTRUCTIONS FOR TONE
GENERATORS

P/N. 024297

Included in this kit are:

- 6 - #120063 Tone Generator Assemblies
- 6 - #069658 Tuning Springs
- 6 - #069666 Tuning Springs

You will note that all tone generators are the same length and will have to be cut (with sharp wire cutters) to the length as shown in the following chart.

Measurement is from the inside of the square rod in which the tyne is mounted. Slight errors in length can be compensated by the tuning springs, but accurate measurement and cutting will secure better results and more flexible tuning and tone adjustment.

Any questions should be directed to:

CBS Musical Instruments
1300 East Valencia
Fullerton, California 92631

No.	Length	Spring #	Color	No.	Length	Spring #	Color	No.	Length	Spring #	Color
6	5/32"	069658	Yellow	25	3-9/64"	069658	Yellow	49	1-19/32"	069666	Blue
6				26	3-1/16"			50	1-19/32"		
	5-27/32"			27	3"			51	1-9/16"		
	5-21/32"			28	2-15/16"			52	1-1/2"		
	5-17/32"			29	2-13/16"			53	1-15/32"		
	5-11/32"			30	2-49/64"			54	1-27/64"		
	5-11/64"			31	2-43/64"			55	1-3/8"		
	5-1/16"			32	2-39/64"			56	1-11/32"		
	4-61/64"			33	2-57/8"	069658	Yellow	57	1-11/32"		
	4-25/32"			34	2-1/2"	069666	Blue	58	1-19/64"		
	4-41/64"			35	2-7/16"			59	1-17/64"		
	4-29/64"			36	2-23/64"			60	1-7/32"		
	4-23/64"			37	2-9/32"			61	1-11/64"		
	4-17/64"			38	2-7/32"			62	1-5/32"		
	4-9/64"			39	2-1/8"			63	1-1/8"		
	4-1/16"			40	2-3/32"			64	1-3/32"		
	3-31/32"			41	2-3/32"			65	1-1/16"		
	3-7/8"			42	2"			66	1-1/16"		
	3-3/4"			43	1-31/32"			67	1-1/64"		
	3-21/32"			44	1-29/32"			68	63/64"		
	3-17/32"			45	1-53/64"			69	31/32"		
	3-7/16"			46	1-25/32"			70	61/64"		
	3-11/32"			47	1-47/64"			71	15/16"		
	3-7/32"			48	1-19/32"			72	29/32"		
								73	57/64"	069666	Blue