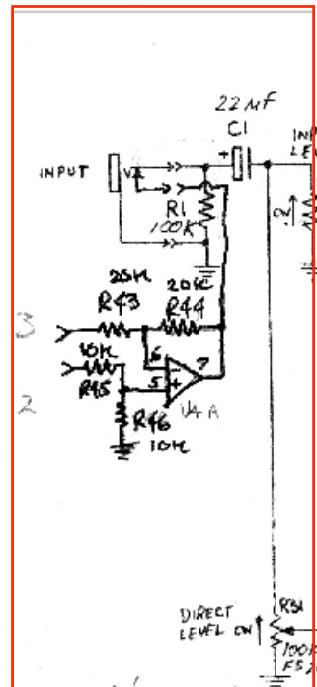
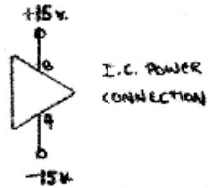
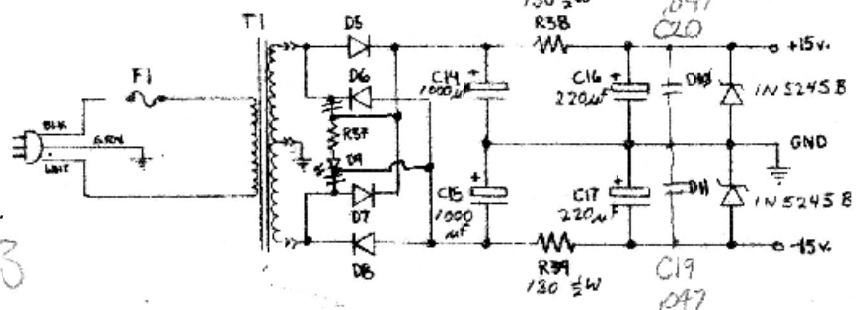
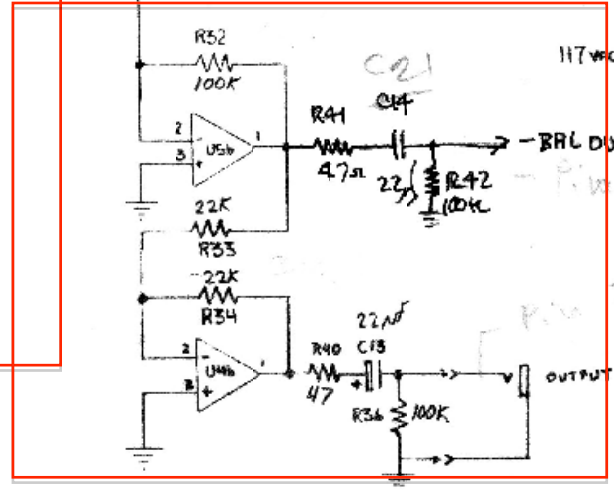


11k/14V 1.273 mA  
WILL MAKE R4 ≈ 15K

REVISIONS			
LTR	DESCRIPTION	DATE	APPROVED
C17, R35 Deleted; R49 added		11/20/78	JKF
R6 changed to 470		9/25/79	JKF



input/output  
lead dress  
is critical/  
simly possible  
(excess wire)  
RC .0033 2.2K  
pin 3 u Ground  
Barly coils  
Vcc &



TOLERANCES UNLESS OTHERWISE SPECIFIED		
FRACTIONS	DEC.	ANGLES
±	±	±

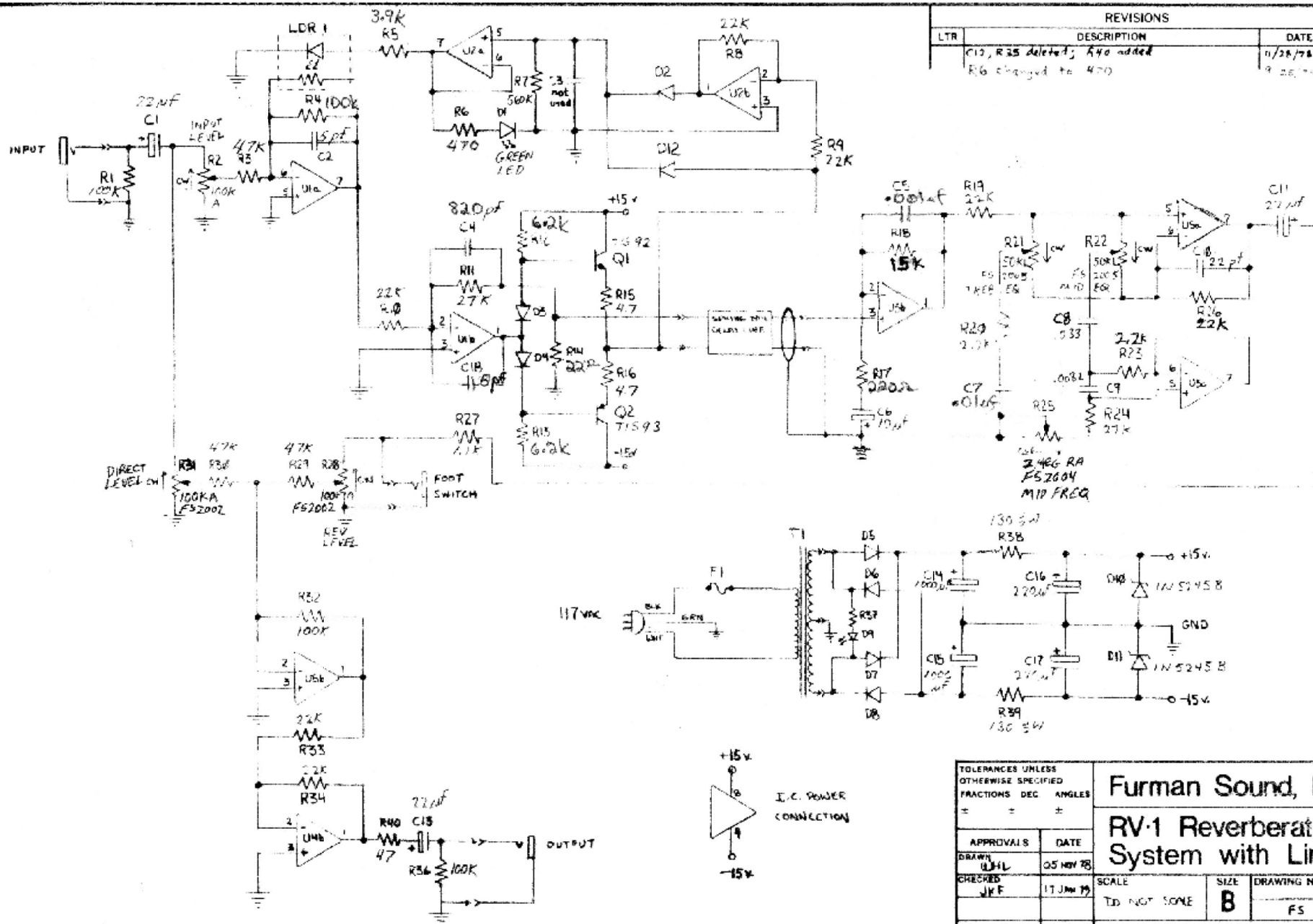
**Furman Sound, Inc.**  
**RV-1 Reverberation System with Limiter**

APPROVALS	DATE
DHL	05 NOV 78
CHECKED	17 JAN 79
JKF	

SCALE	SIZE	DRAWING NO.
DO NOT SCALE	B	RV-005
		FS 101-05

DO NOT SCALE DRAWING SHEET

# starting with serial # C4207



REVISIONS			
LTR	DESCRIPTION	DATE	APPROVED
	C15, R35 Deleted; A40 added	11/28/78	JKF
	R6 changed to 470	9/28/78	JKF

TOLERANCES UNLESS OTHERWISE SPECIFIED FRACTIONS DEC ANGLES		Furman Sound, Inc.	
± ± ±		RV-1 Reverberation System with Limiter	
APPROVALS	DATE	SCALE	SIZE
DRAWN JHL	05 NOV 78	1:1 NOT SCALE	B
CHECKED JKF	17 JAN 79	DRAWING NO. RV-005	
FCB#: RV-05		FS 101-05	
DO NOT SCALE DRAWING			SHEET