

ICEpower50ASX2
 2x50W or 1x170W ICEpower Amplifier
 with integrated ICEpower Supply

Block Diagram

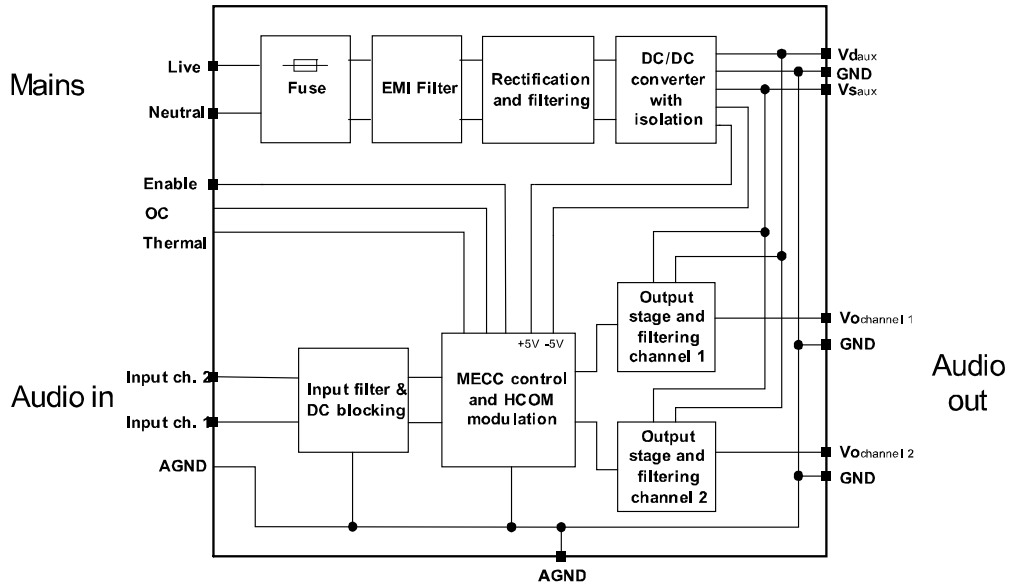


Figure 1: ICEpower50ASX2 block diagram

Connection Diagram

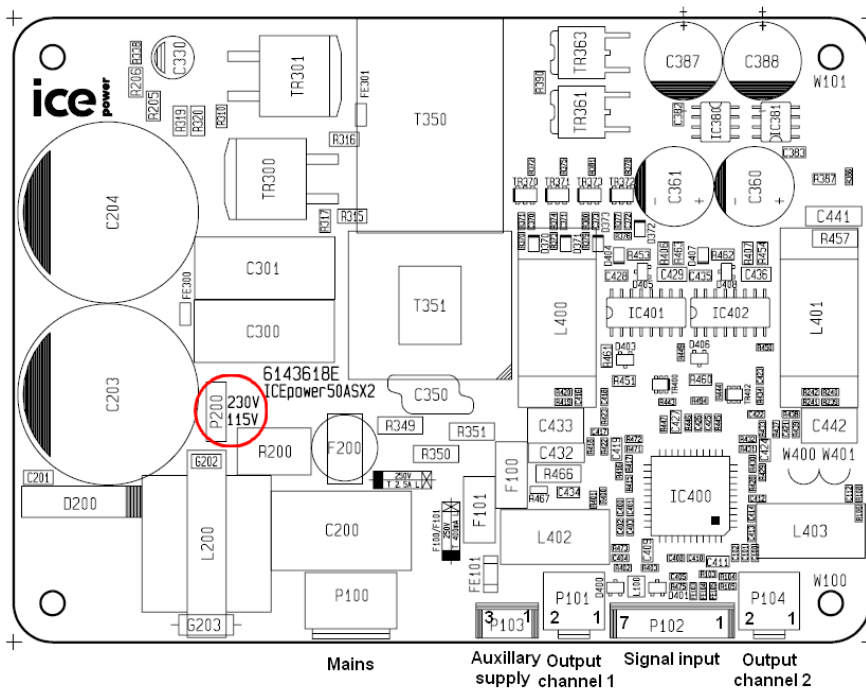


Figure 2: ICEpower50ASX2 connections

ICEpower50ASX2
2x50W or 1x170W ICEpower Amplifier
with integrated ICEpower Supply

The connector interface of the ICEpower50ASX2 modules has five industry standard connectors selected for long-term reliability.

AC Header Specifications (P100)

Type: JST B2P-VH			
PIN	Function	Description	Type
1	Live	Live AC	Input
2	Neutral	Neutral AC	Input

Table 1: AC connector specifications

Speaker Header Specifications (P101)*

Type: JST B2P-VH			
PIN	Function	Description	Type
1	Vo+	Amplifier output channel 1	Output
2	GND	GND _{channel1}	GND

Table 2: Speaker connector specifications

*P101 is not mounted on the BTL-version.

Speaker Header Specifications (P104)

Type: JST B2P-VH			
PIN	Function	Description	Type
1	Vo+	Amplifier output channel 2	Output
2	GND in SE (Vo+ in BTL)	GND _{channel2} *	GND*

Table 3: Speaker connector specifications

* This pin is Vo+ (hot) in BTL version and GND in SE version

Signal Header Specifications (P102)

Type: JST B7B-PH-K-S			
PIN	Function	Description	Type
7	Vin channel 1	Input signal channel 1	input
6	GND	Ground terminal for the signal section.	GND
5	GND	Ground terminal for the signal section.	GND
4	Vin channel 2	Input signal channel 2	Input
3	Thermal	Thermal monitoring pin	Output*
2	OC	Monitor pin amplifier over current	Output*
1	Enable	Amplifier enable	Input/Output*

Table 4: Signal connector specifications

* See "Features" section on page 18

ICEpower50ASX2
2x50W or 1x170W ICEpower Amplifier
with integrated ICEpower Supply

Auxiliary Supply Header Specifications (P103)

Type: JST B3B-PH-K-S			
PIN	Function	Description	Type
1	Vd _{aux}	Positive unregulated auxiliary supply (typical +25V)	Output
2	GND	Ground terminal for the auxiliary section.	GND
3	Vs _{aux}	Negative unregulated auxiliary supply (typical -25V)	Output

Table 5: Auxiliary supply header specifications