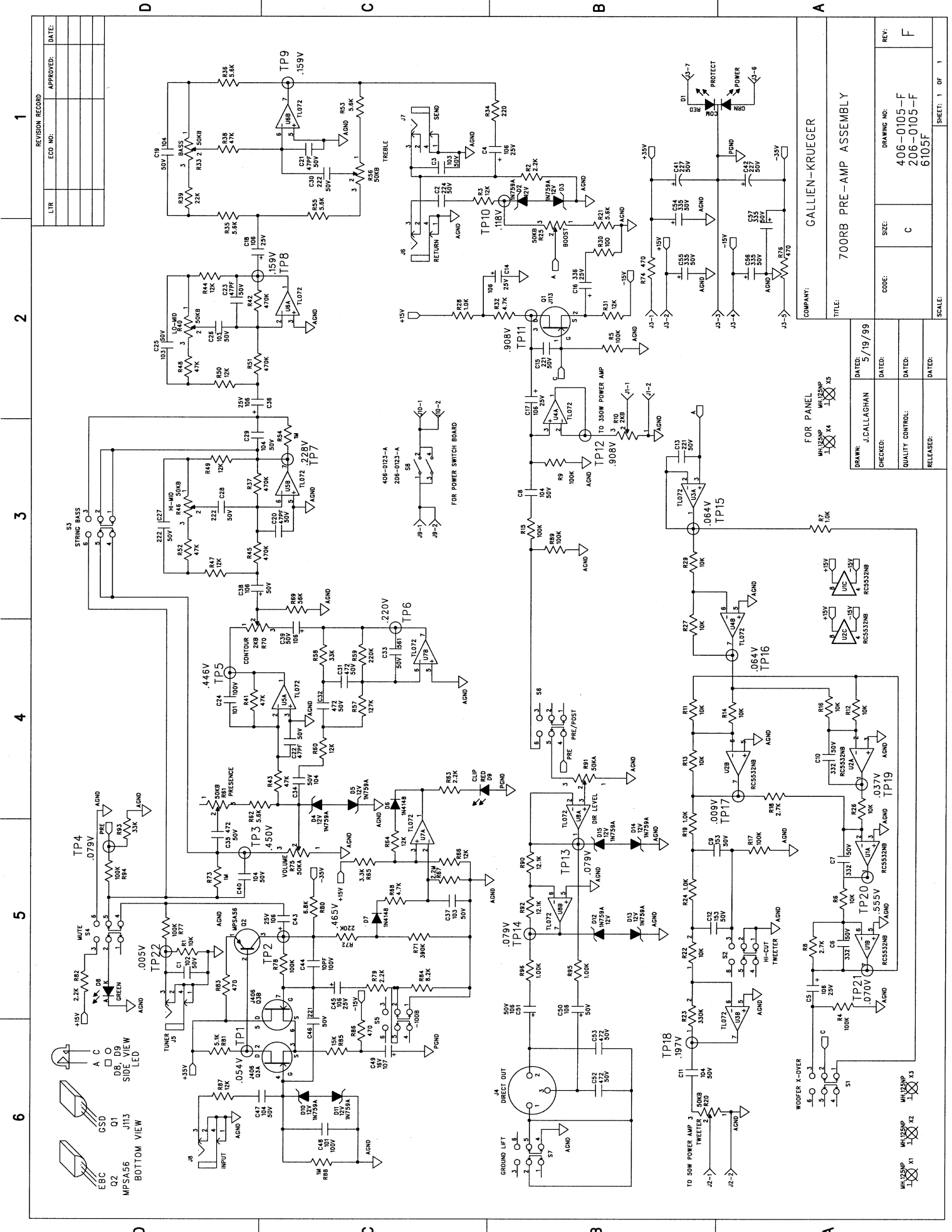


NOTES:
 FOR DESCRIPTION OF TEST POINTS,
 SEE DRAWING 423-0105-D

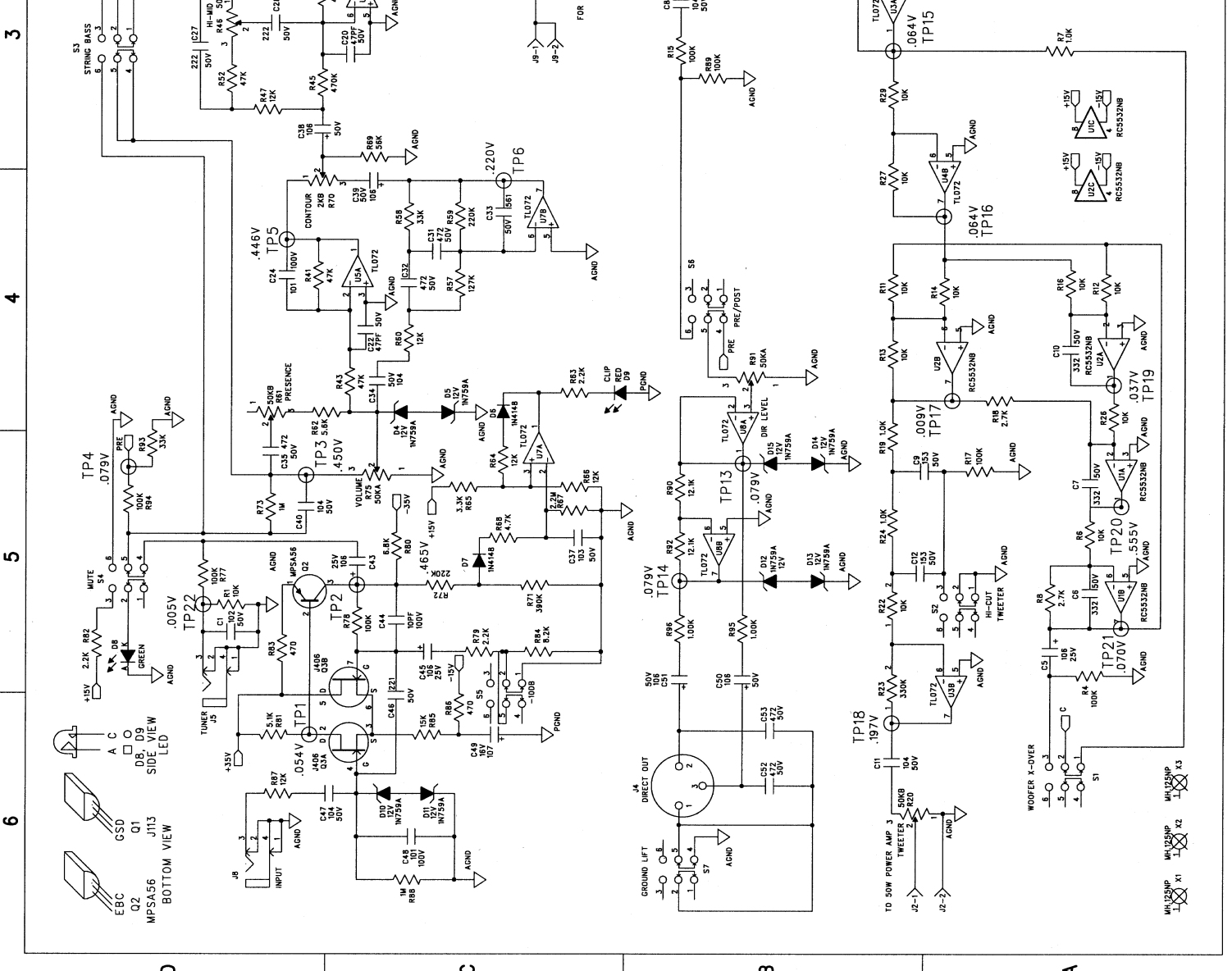
REVISION RECORD		DATE:	
LTR	ECCO NO.	APPROVED:	
1			
2			
3			
4			
5			
6			

COMPANY:		GALLIEN-KRUEGER	
TITLE:		700RB PRE-AMP ASY	
DRAWN:	SANDY CHANG	DATE:	8/20/98
CHECKED:		DATE:	
QUALITY CONTROL:		DATE:	
RELEASED:		DATE:	
CODE:	C	DRAWING NO.:	406-0105-D 206-0105-D 6105D
SIZE:	C	REV.:	D
FOR PANEL		SCALE: 1 OF 1	
MH125NP	X1	MH125NP	X2
MH125NP	X3	MH125NP	X4
MH125NP	X5	MH125NP	X6



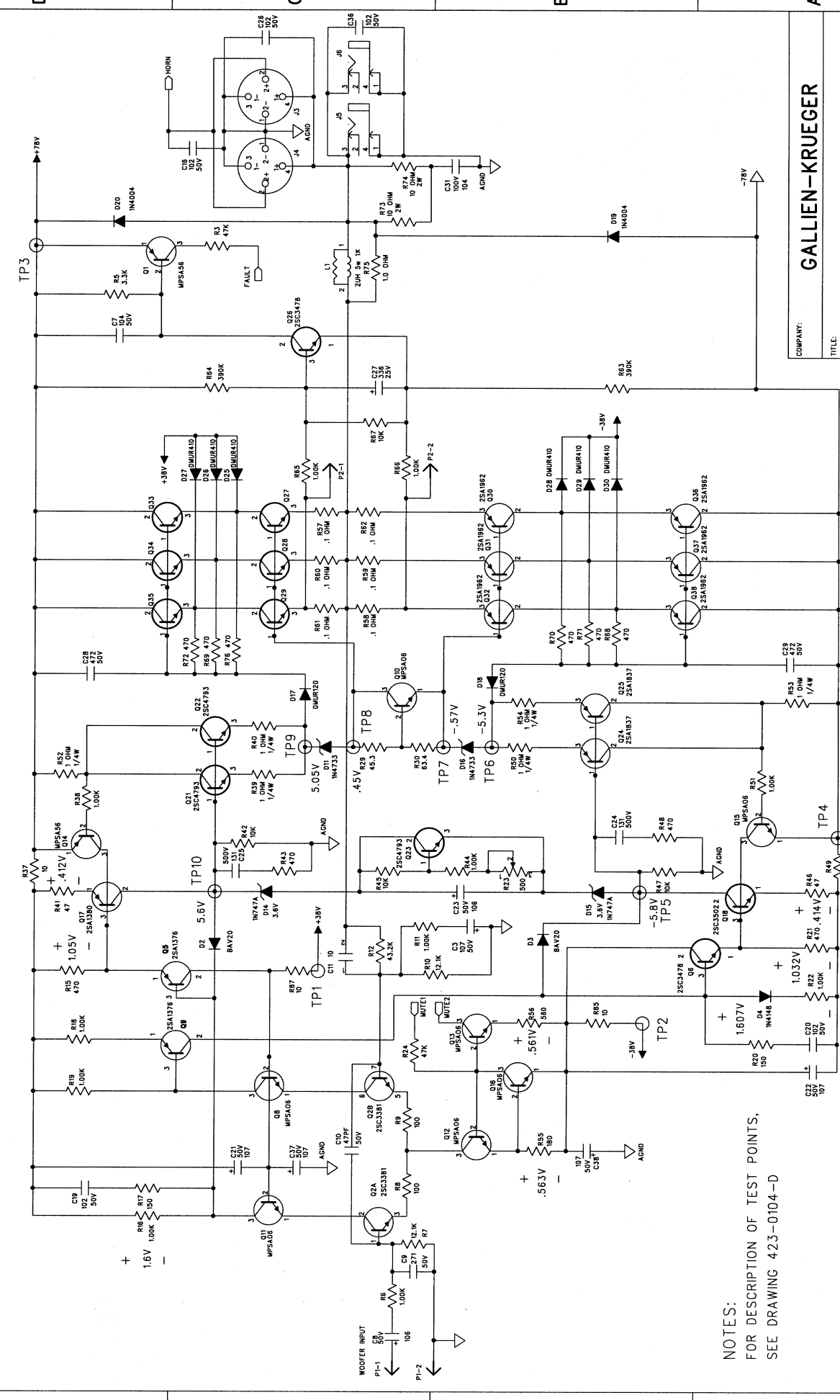
REVISION RECORD		
LTR	ECD NO:	APPROVED: DATE:

COMPANY: GALLIEN-KRUEGER		TITLE: 700RB PRE-AMP ASSEMBLY	
DATE: 5/19/99	DRAWN: J.CALLAGHAN	DATE: 5/19/99	REV: F
CHECKED:	QUALITY CONTROL:	DATE:	DRAWING NO: 406-0105-F
RELEASED:		DATE:	206-0105-F
			6105F



DATE: 5/19/99	DRAWN: J.CALLAGHAN	DATE: 5/19/99	REV: F
CHECKED:	QUALITY CONTROL:	DATE:	DRAWING NO: 406-0105-F
RELEASED:		DATE:	206-0105-F
			6105F

REVISION RECORD	
LTR.	APPROVED:
ECD NO.	DATE:



GALLIEN-KRUEGER

700RB POWER AMP BD

COMPANY: GALLIEN-KRUEGER
 TITLE: 700RB POWER AMP BD

DRAWN: SANDY CHANG	DATED: 8/20/88
CHECKED:	DATED:
QUALITY CONTROL:	DATED:
RELEASED:	DATED:

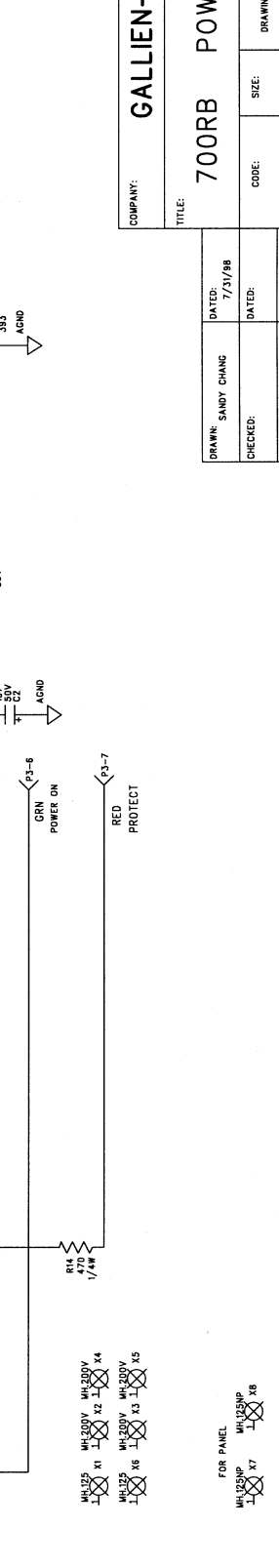
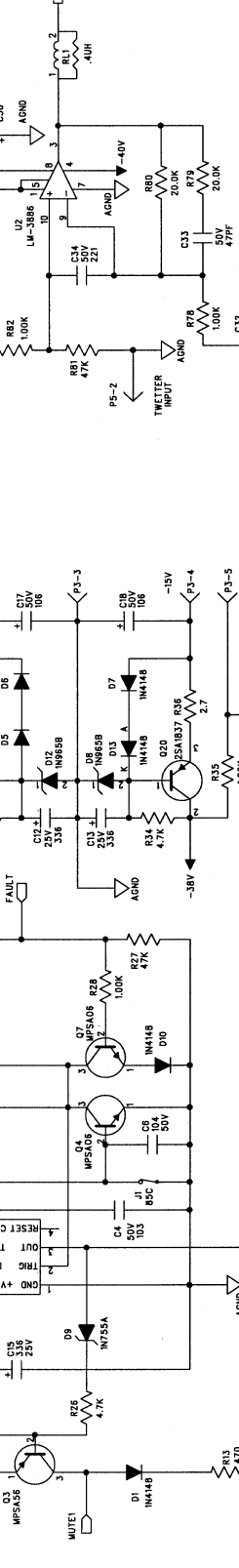
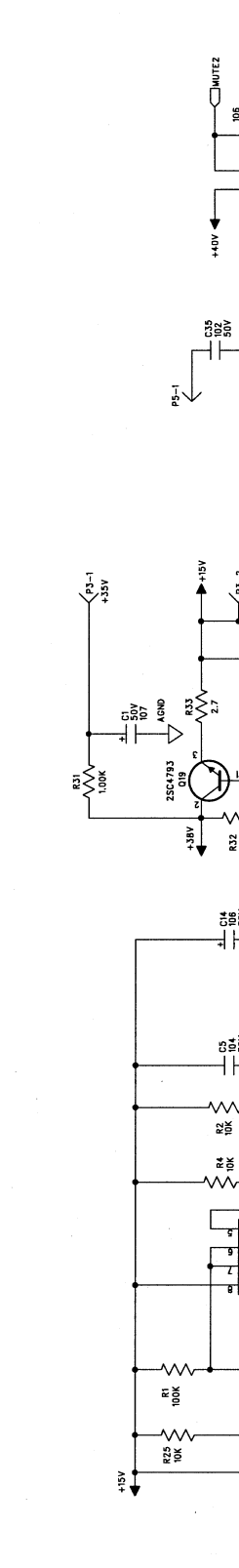
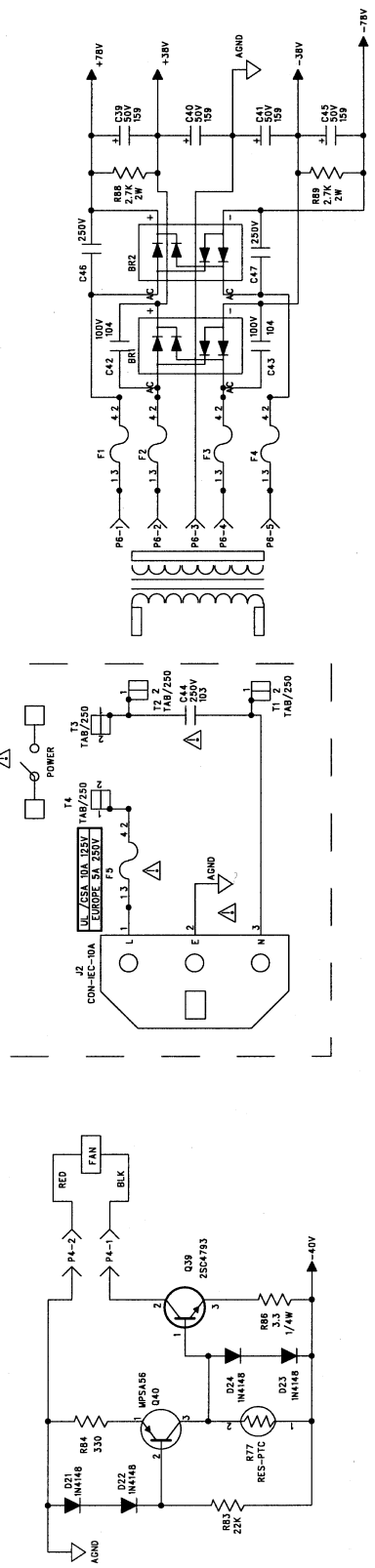
CODE: 61040	SIZE: C	DRAWING NO: 406-0104-D	REV: D
PART NO: 206-0104-D		SHEET 1 OF 2	

NOTES:
 FOR DESCRIPTION OF TEST POINTS,
 SEE DRAWING 423-0104-D

BIAS ADJUSTMENT PROCEDURE:
 WITH POWER OFF, ADJUST POT R23 TO FULL COUNTER-CLOCKWISE POSITION.
 TURN ON POWER AND WAIT 5 SECONDS FOR TURN ON DELAY.
 TURN R23 CLOCKWISE UNTIL VOLTAGE ACROSS P2 READS 5 mVDC.

REVISION RECORD	
ECO NO.	APPROVED:
DATE:	

WARNING
 DANGEROUS VOLTAGES
 PRESENT. REPLACE ONLY WITH
 IDENTICAL REPLACEMENT
 PARTS.



COMPANY: **GALLIEN-KRUEGER**

TITLE: **700RB POWER AMP BD**

DRAWN: SANDY CHANG DATED: 7/31/98

CHECKED: DATED:

QUALITY CONTROL: DATED:

RELEASED: DATED:

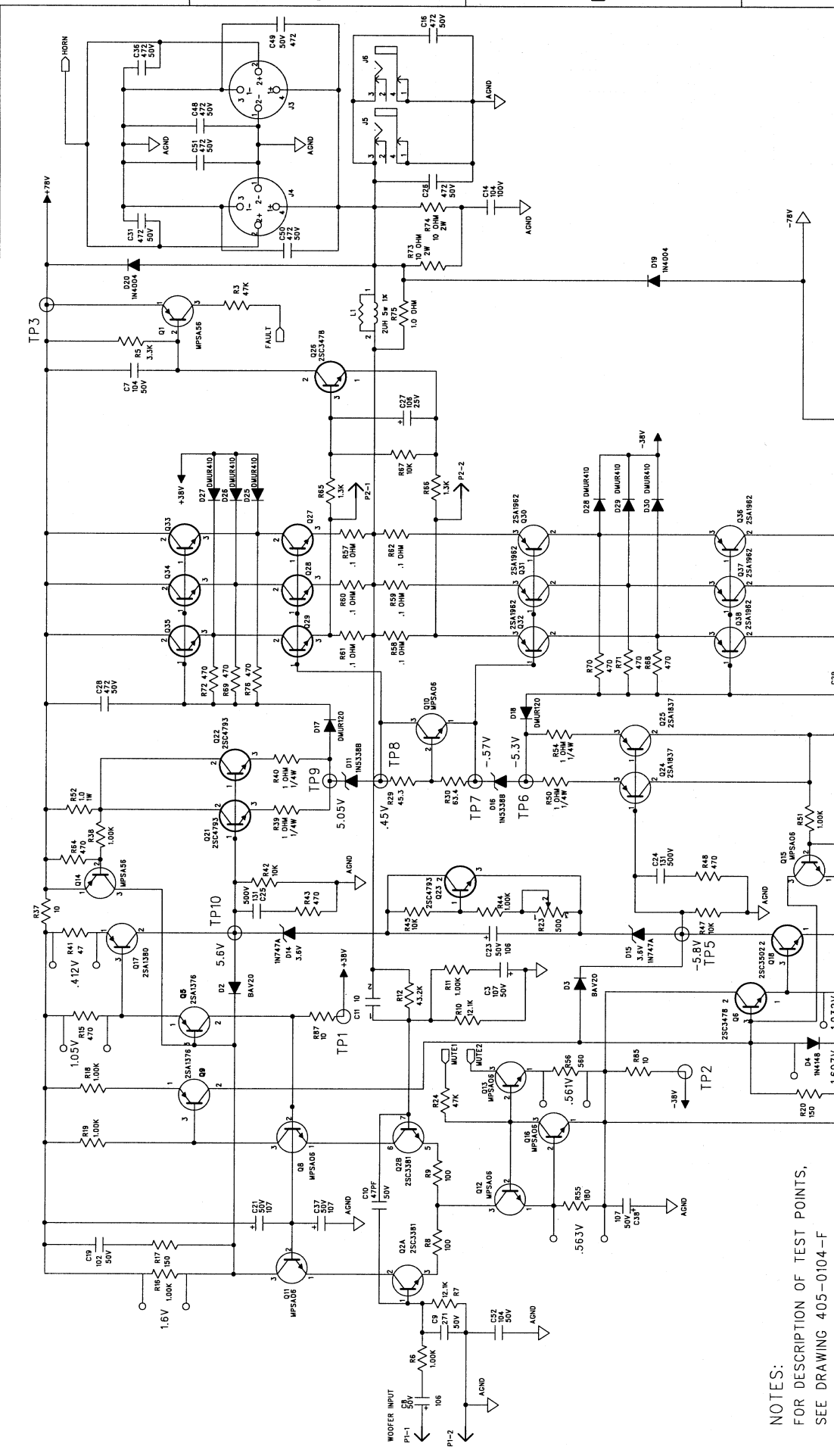
CODE: **6104D** SIZE: **C** DRAWING NO: **406-0104-D** REV: **D**

PART NO: **206-0104-D**

SCALE: SHEET **2** OF **2**



REVISION RECORD		
LTR	ECD NO.	APPROVED:



COMPANY: **GALLIEN KRUEGER**

TITLE: **700RB POWER AMP**

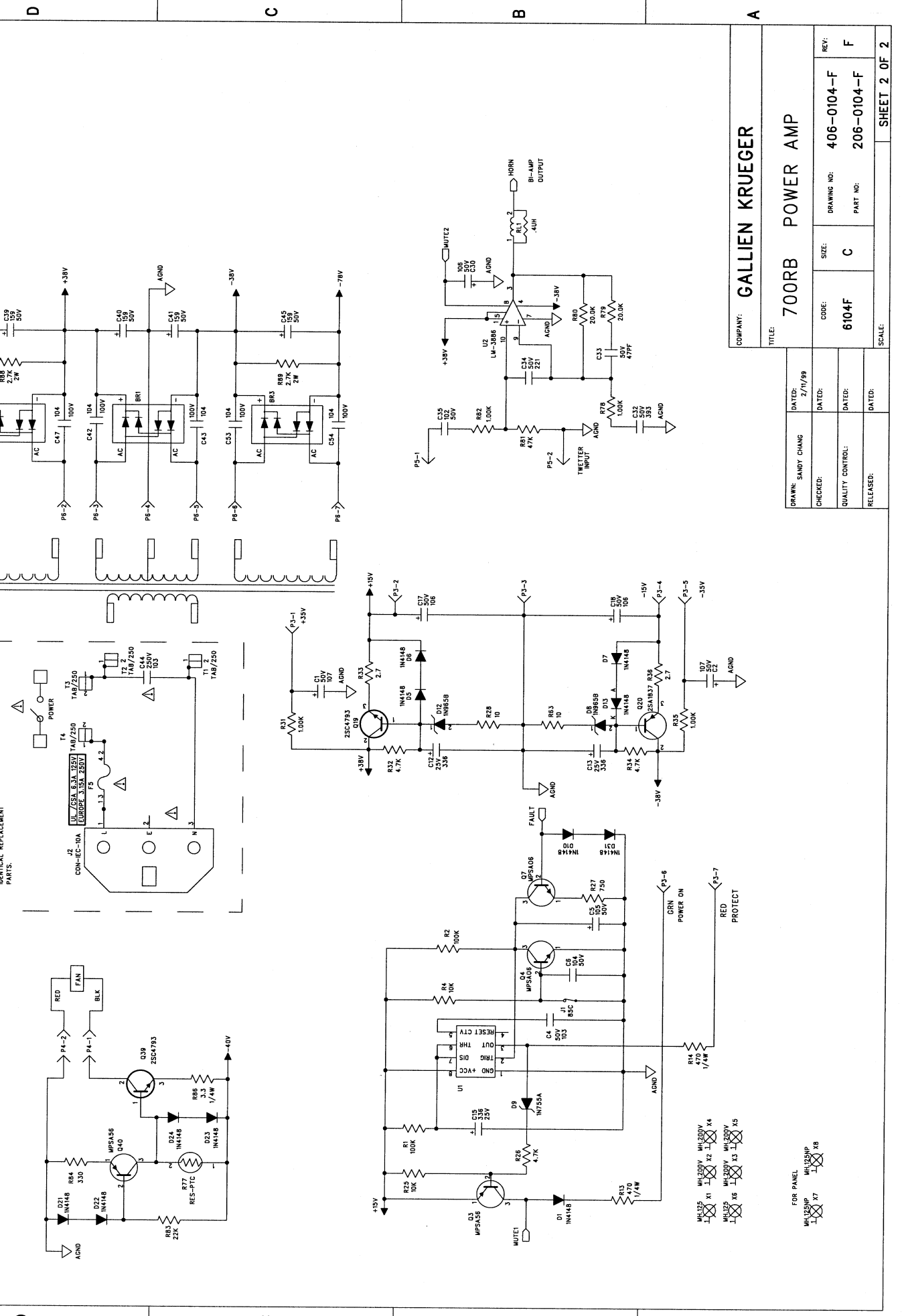
DRWNR: SHADY CHANG	DATED: 2/1/59
CHECKER:	DATED:
QUALITY CONTROL:	DATED:
RELEASED:	DATED:

CODE: 6104F	SIZE: C	DRAWING NO: 406-0104-F	REV: F
SCALE:		PART NO: 206-0104-F	

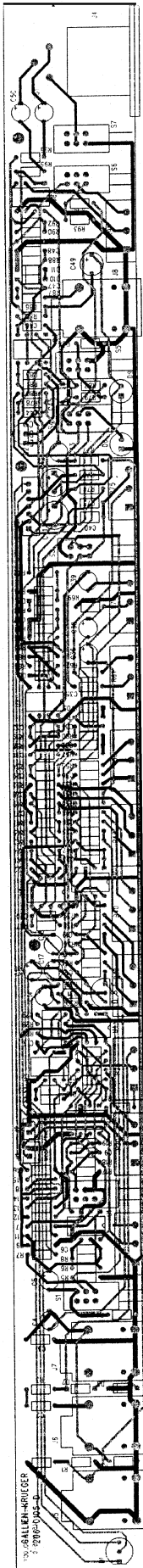
NOTES:
 FOR DESCRIPTION OF TEST POINTS,
 SEE DRAWING 405-0104-F

BIAS ADJUSTMENT PROCEDURE:
 WITH POWER OFF, ADJUST POT R23 TO FULL COUNTER-CLOCKWISE POSITION.
 TURN ON POWER, AND WAIT 5 SECONDS FOR TURN ON DELAY.
 TURN R23 CLOCKWISE UNTIL VOLTAGE ACROSS P2 READS 5 mVDC.

REVISION RECORD	
ECD NO.	APPROVED:
DATE:	



COMPANY: **GALLIEN KRUEGER**
 TITLE: **700RB POWER AMP**
 DRAWN: SANDY CHANG DATED: 2/11/99
 CHECKED: DATED:
 QUALITY CONTROL: DATED:
 RELEASED: DATED:
 CODE: **6104F** SIZE: **C** DRAWING NO: **406-0104-F** REV: **F**
 PART NO: **206-0104-F** SCALE: **SHEET 2 OF 2**

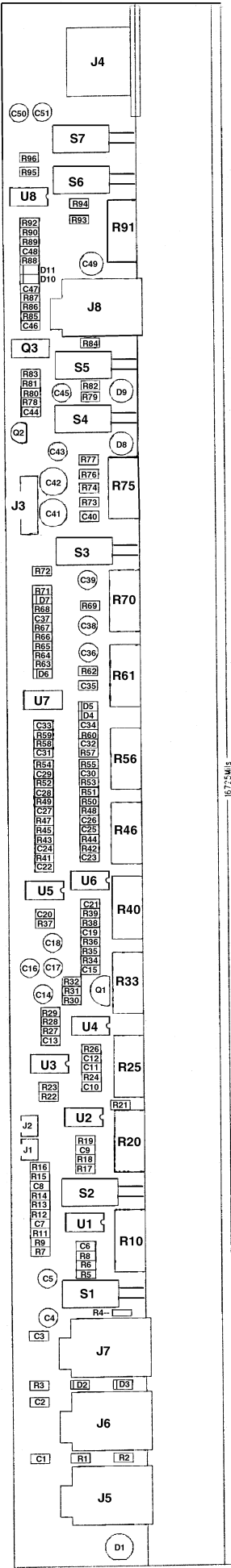


2

167754115

GALLIEN- 2240 PARAGON DRIVE
 SAN JOSE, CA 95131
 KRUEGER
 TITLE: 700B FRE-AMP 80
 DESIGNED: R.G. 1/6/78 SER. DRAWING NO: 405-0105-D REV.
 DRAWN: S.C. 7/20/78 B PART NO: 145-0105-D
 CHECK: K.P. 8/9/78 FILE NAME: 51050
 APPROVALS: DATE
 RELEASED: 0/A: SCALE: 51050

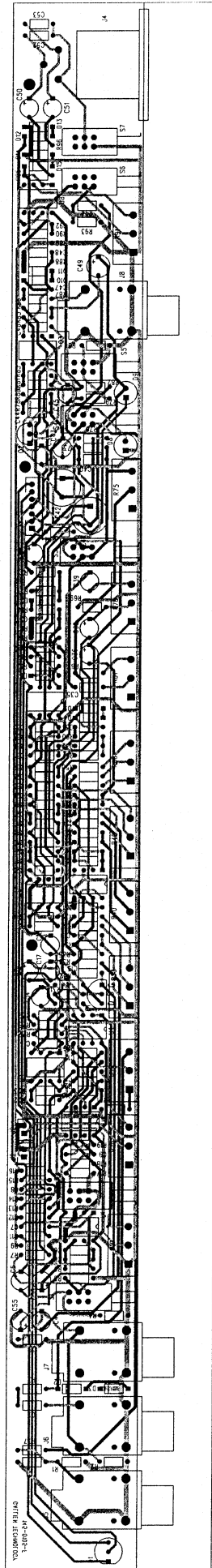
LAYER DESCRIPTION:
All Traces
 GERBER FILE NAME: sst0004.bbo



167754115

GALLIEN- 2240 PARAGON DRIVE
 SAN JOSE, CA 95131
 KRUEGER
 TITLE: 700B FRE-AMP 80
 DESIGNED: R.G. 1/6/78 SER. DRAWING NO: 405-0105-D REV.
 DRAWN: S.C. 7/20/78 B PART NO: 145-0105-D
 CHECK: K.P. 8/9/78 FILE NAME: 51050
 APPROVALS: DATE
 RELEASED: 0/A: SCALE: 51050

LAYER DESCRIPTION:
 Reference Designators
 GERBER FILE NAME:

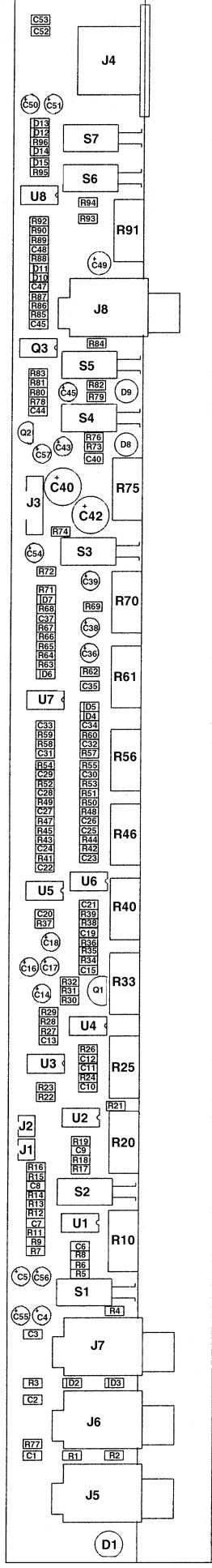


GALLIEN- 2240 PARAGON DRIVE
 KRUEGER- SAN JOSE, CA 95131

APPROVALS: _____
 DATE: _____
 DESIGNED BY: S.S. 1/15/99
 DRAWN BY: S.S. 1/15/99
 ELEC. BY: K.R. 8/9/98
 CHECKED BY: _____
 RELEASED BY: _____

TITLE: 7008 PRE-AMP BD
 SHEET: B
 DRAWING NO: 405-0105-F
 PART NO: 145-0105-F
 REV: F
 SCALE: 5105F

LAYER DESCRIPTION:
All Traces
 GERBER FILE NAME:

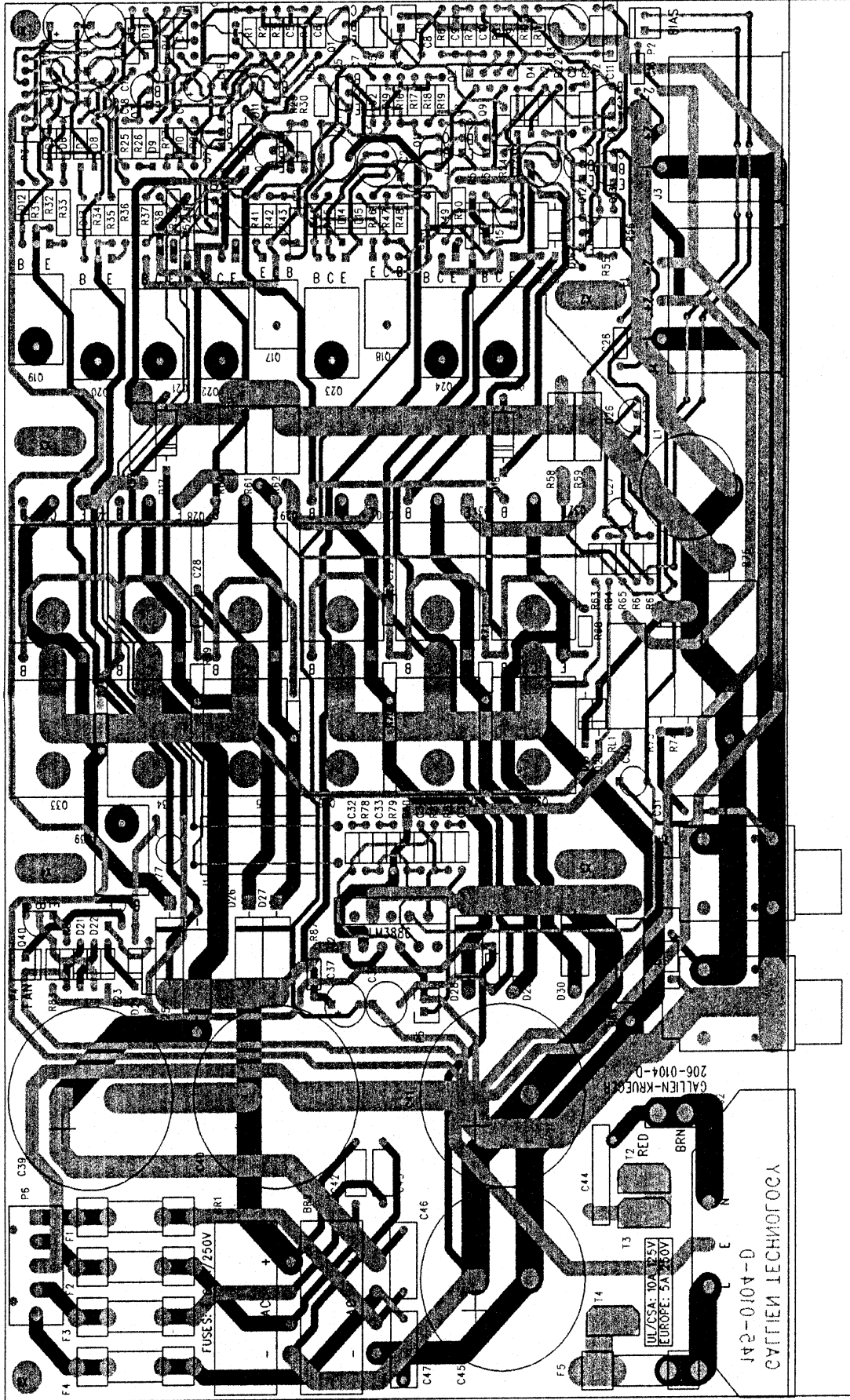


GALLIEN- 2240 PARAGON DRIVE
 KRUEGER- SAN JOSE, CA 95131

APPROVALS: _____
 DATE: _____
 DESIGNED BY: S.S. 1/15/99
 DRAWN BY: S.S. 1/15/99
 ELEC. BY: K.R. 8/9/98
 CHECKED BY: _____
 RELEASED BY: _____

TITLE: 7008 PRE-AMP BD
 SHEET: B
 DRAWING NO: 405-0105-F
 PART NO: 145-0105-F
 REV: F
 SCALE: 5105F

LAYER DESCRIPTION:
**Pre-Amp
 Circuit Board Layout**
 GERBER FILE NAME:

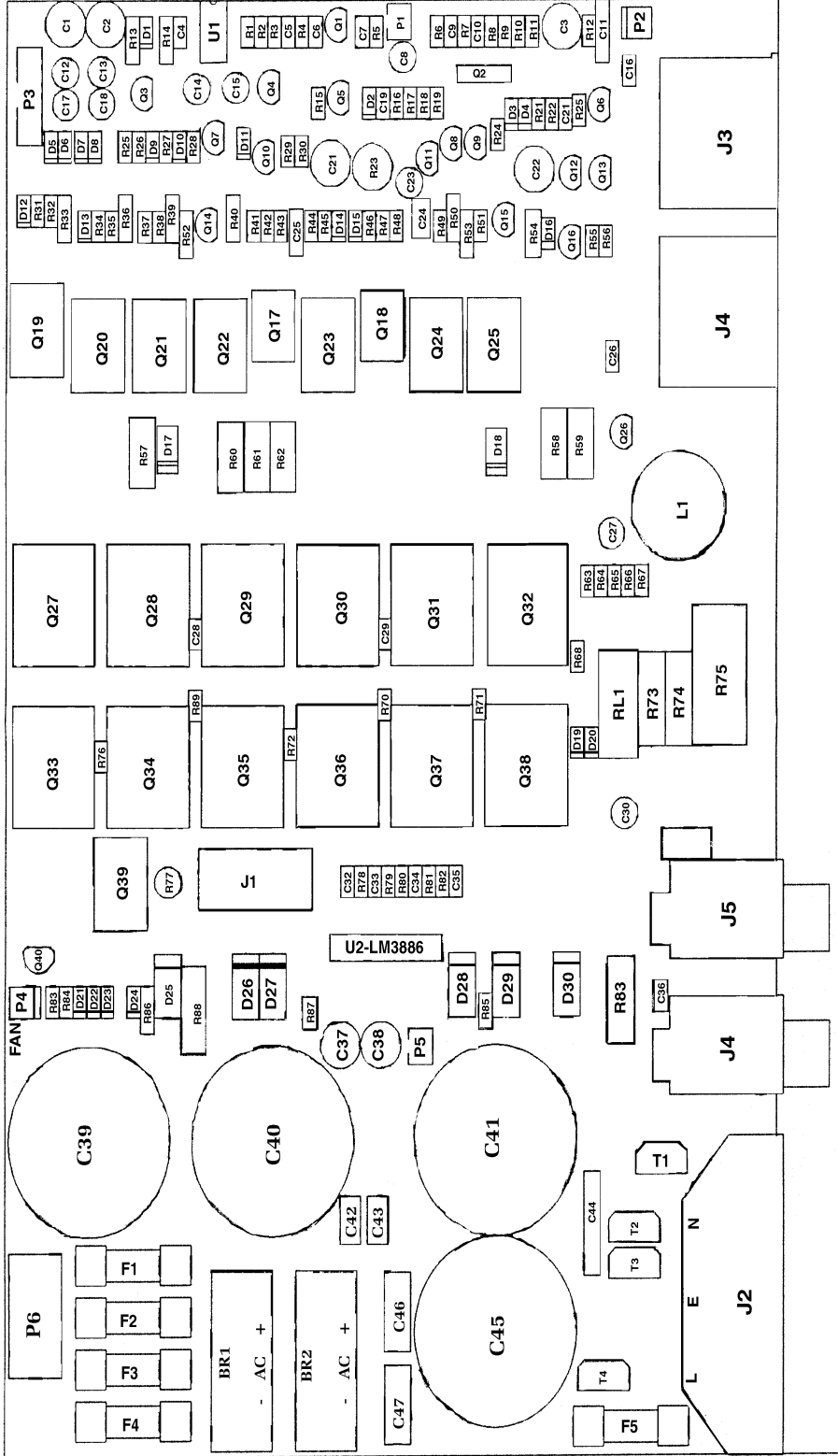


GALLIEN 2240 PARAGON DRIVE
KRUEGER SAN JOSE, CA 95131
 TITLE: 7008 POWER AMP ED

APPROVALS	DATE
DESIGNED: KR	5/5/93
DRAWN: KR	7/21/93
ELEC: KR	6/5/98
MECH:	
D/A:	
RELEASED:	

LAYER DESCRIPTION:
Traces
 GERBER FILE NAME:

NOTE: Darker lines indicate top-side traces,
 while lighter lines show bottom-side
 traces.

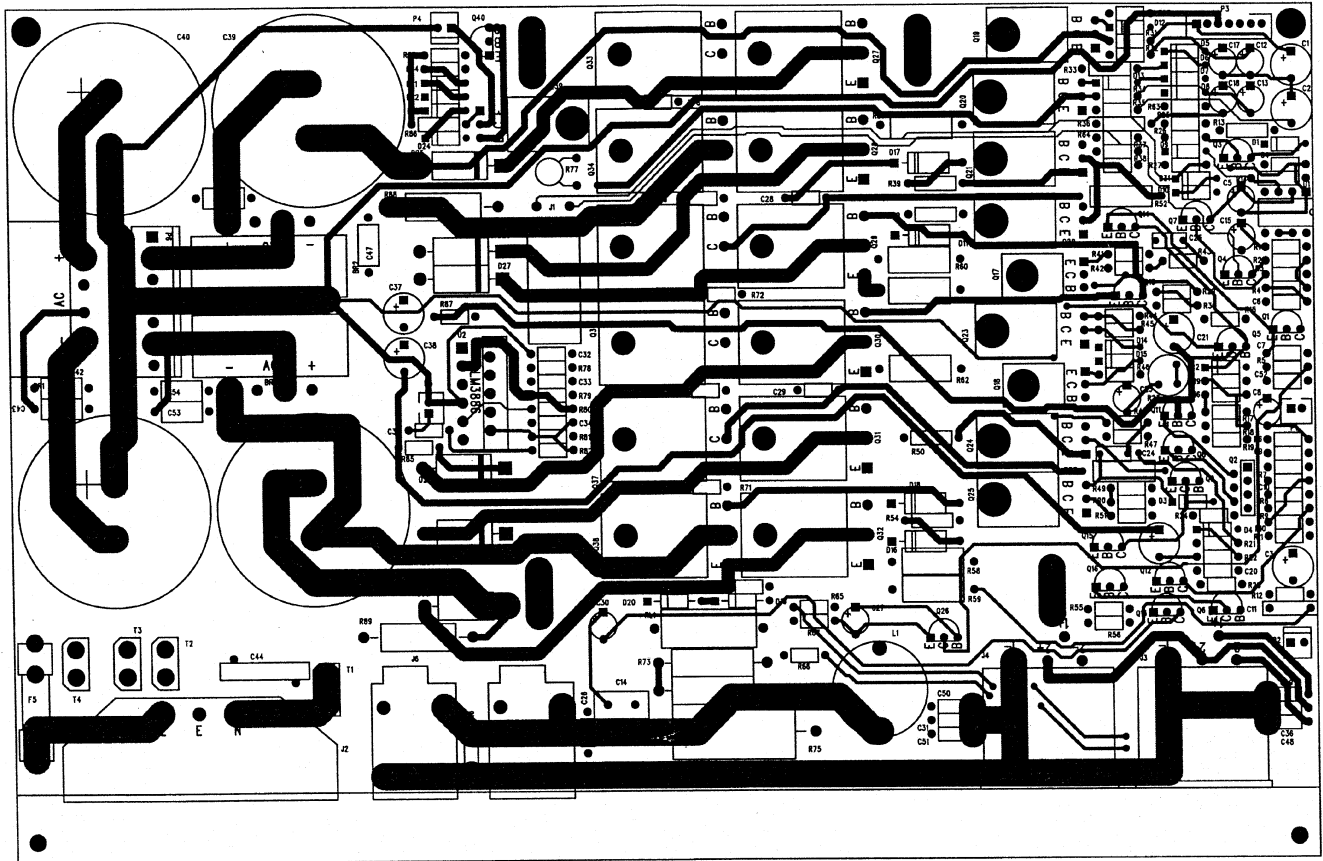


GALLIEN- 2240 PARAGON DRIVE
 KRUEGER- SAN JOSE, CA 95131
 TITLE: 7008 POWER AMP BD

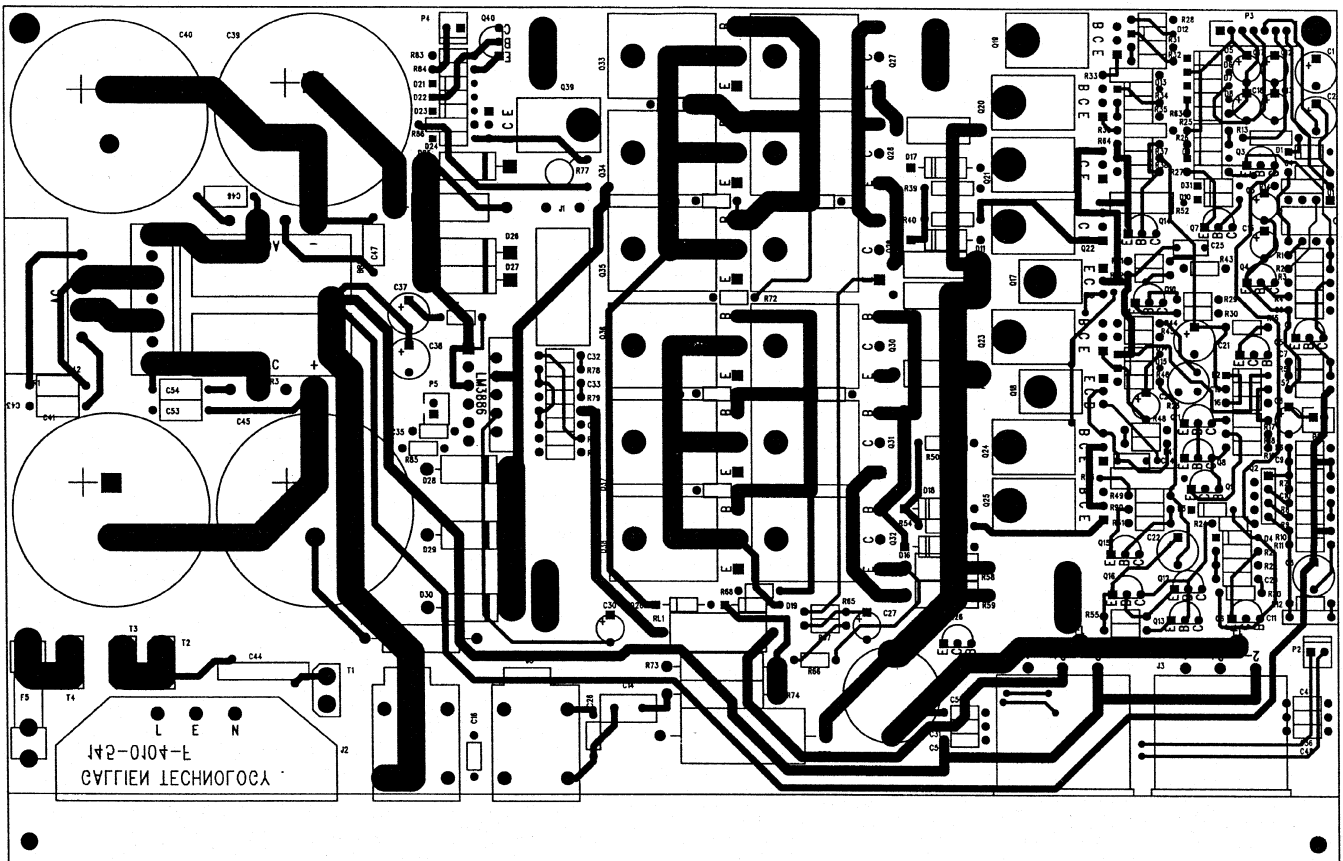
APPROVALS: _____ DATE: _____
 DESIGNED: KR 6/5/93
 DRAWN: KR 7/21/93
 ELEC: KR 6/5/93
 MECH: _____
 D/A: _____
 RELEASED: _____

LAYER DESCRIPTION:
Circuit Board Layout
 GERBER FILE NAME: 6st0126pho

REV. 3
 PART NO: 145-0104-0
 FILENAME: 51012
 SCALE:



Top Side Traces



Bottom Side Traces

LAYER DESCRIPTION:

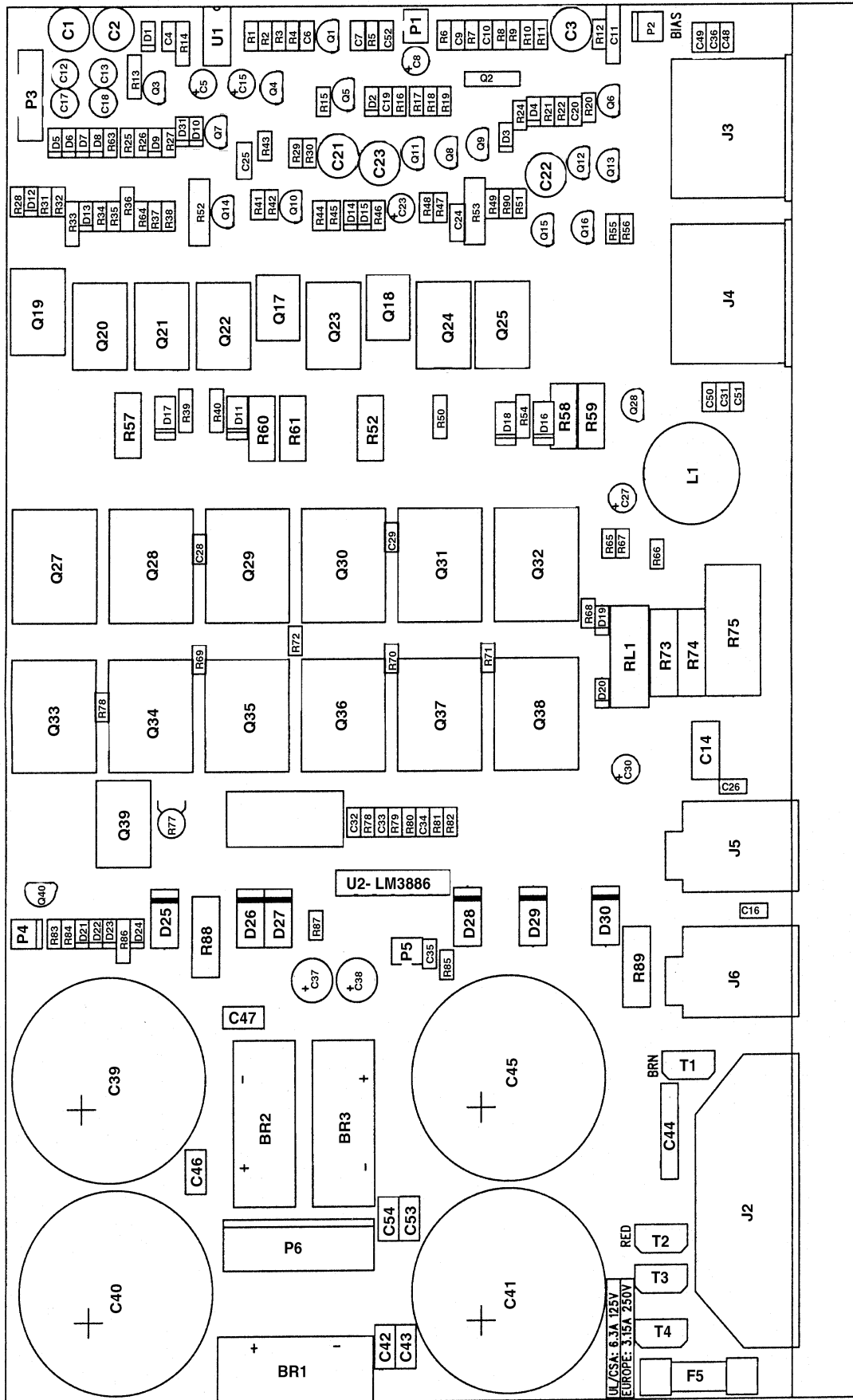
All Traces

GERBER FILE NAME:

APPROVALS	
INIT	DATE
DESIGNED: RG	6/6/98
DRAWN: RG	2/11/99
ELEC: RG	6/6/98
CHKD:	
QTY:	
RELEASED:	

GALLIEN-KRUEGER	2240 PARAGON DRIVE SAN JOSE, CA 95131
TITLE: 700RB POWER AMP BD	
SIZE: B	DRAWING NO: 405-0104-F
PART NO: 145-0104-F	REV: F
FILENAME: 5104F	
SCALE:	

142-0104-L
САГГИЕН ТЕСНЮГОСА



GALLIEN- 2240 PARAGON DRIVE	
KRUEGER SAN JOSE, CA 95131	
TITLE: 700RB POWER AMP BD	REV. F
DESIGNED: RG 6/6/98	DATE: 6/6/98
DRAWN: RG 2/11/99	SIZE: 405-0104-F
ELEC: RG 6/6/98	PART NO: 145-0104-F
MECH:	FILENAME: 5104F
Q/A:	SCALE:
RELEASED:	

LAYER DESCRIPTION:
 Power Amp
 Circuit Board Layout
 GERBER FILE NAME:

UL/CSA: 6.3A 125V
 EUROPE: 3.15A 250V

ENGINEERING CHANGE ORDER

ECO#: 6

GALLIEN TECHNOLOGY
2240 Paragon Dr., San Jose, CA 95131

Tel: (408) 441-8081
Fax: (408) 441-8085

MODEL: 700RB

CUSTOMER: Gallien-Krueger
DESC.: Power Amp Module
ASSY#'s: 206-0104-E Old Rev: D5
New Rev: E6

Level: System
 Board
 Fab

DATE: 2/17/99
ORIGINATOR: Marshall
Checked by: _____

<input checked="" type="checkbox"/> EFFECTIVE	<input type="checkbox"/> PENDING	<input type="checkbox"/> RELATED ECO'S FOR:
<input checked="" type="checkbox"/> Next production Run <input type="checkbox"/> All in Process <input type="checkbox"/> All in Stock <input type="checkbox"/> All being serviced	Pending/reject reason: <input checked="" type="checkbox"/> Necessary change <input checked="" type="checkbox"/> Improvement	<input checked="" type="checkbox"/> Raw Board: _____ <input type="checkbox"/> Loaded Board: _____ <input type="checkbox"/> Sheet Metal: _____ <input type="checkbox"/> Heatsink: _____ <input checked="" type="checkbox"/> Main Assy: _____

Beginning Serial Number: _____

AFFECTED AREA: By: Date:

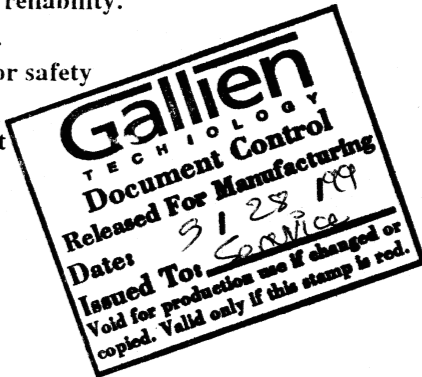
REASON FOR CHANGE:
Changes have been made to accommodate RFI, safety, and reliability

- | | | |
|---|------|---------|
| <input checked="" type="checkbox"/> Schematic | | |
| <input checked="" type="checkbox"/> Board Artwork | | |
| <input checked="" type="checkbox"/> BOM | | |
| <input checked="" type="checkbox"/> Reference Des. | H.F. | 5-28-99 |
| <input type="checkbox"/> Part Master File | H.F. | 5-28-99 |
| <input checked="" type="checkbox"/> Control Form | | |
| <input checked="" type="checkbox"/> Assembly Dwg. | | |
| <input type="checkbox"/> Test Procedure | | |
| <input type="checkbox"/> Fab Drawing | | |
| <input type="checkbox"/> Silkscreen | | |
| <input type="checkbox"/> Punch Program | | |
| <input checked="" type="checkbox"/> Auto Insert Pgm | | |
| <input checked="" type="checkbox"/> Service Manual | | |

Continued on ECO Supplement Page

DESCRIPTION OF CHANGE:

Driver protection circuit has been changed to work properly.
D11, 16 have been changed to 5W for reliability.
R52, 53 changed to 1W for reliability.
10 Ohm added in series with D8, 12 for safety
Secondary fuses removed for safety.
Other changes to adjust protect circuit



DISTRIBUTION:

- | | |
|---|------------|
| <input checked="" type="checkbox"/> Service Centers | <i>gfw</i> |
| <input checked="" type="checkbox"/> Engineering | |
| <input checked="" type="checkbox"/> Purchasing | |
| <input type="checkbox"/> Main Assembly | |
| <input checked="" type="checkbox"/> P.C. Assy | |
| <input checked="" type="checkbox"/> Q.A. | |
| <input type="checkbox"/> Fabrication | |
| <input checked="" type="checkbox"/> Cost Accounting | |
| <input checked="" type="checkbox"/> Shipping | |
| <input type="checkbox"/> Test | |
| <input checked="" type="checkbox"/> Receiving | |

PAGE 1 OF 2

Continued on ECO Supplement Page

Drawing(s) attached

TOTAL PARTS ADDED: <u>14</u>				TOTAL PARTS DELETED: <u>21</u>			
Part #:	Description	Qty.	Ref. Designator	Part #:	Description	Qty.	Ref. Designator
020-0051-0	1N5338B	2	D11, 16	020-0007-0	1N4733	2	D11, 16
050-0101-0	10 Ohm 1/8W	2	R28, 63				
050-4701-0	470 Ohm 1/8W	2	R64, 90				
054-0100-0	1 Ohm 1W	2	R52, 53	051-0100-0	1 Ohm 1/4W	2	R52, 53
				091-0013-0	6.3A fuse	4	F1-4
030-2105-0	105 cap	1	C5	094-0004-0	Fuse clip	8	F1-4
020-1000-0	1N4148	1	D31	030-2104-0	104 cap	1	C5
060-7501-0	750 Ohm 1/8W	1	R27	031-2106-0	106 cap	1	C14
060-1302-0	1.3K 1/8W	2	R65, 66	050-4703-0	47K 1/8W	1	R27
031-0106-0	106 cap	1	C27	060-1002-0	1.0K 1/8W	2	R65,66
				031-1336-0	336 cap		C27

700RB- INDENTED BILL OF MATERIALS

NOTE: Level 1 refers to main assembly parts.
 Level 2 refers to board level parts.
 Main assembly parts are in bold face, while commonly
 needed parts are italicized.

LVL	PART#	DESCRIPTION	QTY	REF. DESIG.
1	010-0003-0	2SC3502-F,NPN,200V,100MA,TO-126	1	REF: Q18
1	010-1003-0	2SA1380-F,PNP,200V,100MA,TO-126	1	REF: Q17
1	<i>080-0027-B</i>	<i>TRANSFORMER,700RB,120V</i>	<i>1</i>	
1	<i>086-0000-0</i>	<i>FAN, 24V DC, 160MA, 80X80MM, HIGH SPEED</i>	<i>1</i>	
1	090-0008-0	SWITCH,ROCK,SPST,16A/10A,FASTON,UL/SEM	1	
1	<i>091-0011-0</i>	<i>FUSE,5MM,10 A,125V,FAST,UL,CSA</i>	<i>1</i>	
1	092-0025-0	CON,SPEAKON,NL4FC	2	
1	093-0506-0	HSG,.1X2,LOCKING,CRIMP 093-0909	1	
1	093-0909-0	TERM,CRIMP,1,22GA,093-0509	2	
1	094-0018-0	LUG,#4,SOLDER,STANDARD	1	
1	<i>095-0005-0</i>	<i>CORD,IEC,3X18GA,10A,6',DOM</i>	<i>1</i>	
1	100-0020-0	BUMPER,ROUND RUBBER,1/2"X.14"	4	
1	100-0035-0	CABLE TIE,BLACK,4"-18 LB	5	
1	<i>100-0042-0</i>	<i>HANDLE,RUBBER,6.5"</i>	<i>1</i>	
1	100-0076-0	FOOT,RUBBER,ROUND,5/8DIA. X 5/8"	4	
1	<i>100-0098-0</i>	<i>KNOB,GRAY,6X15MM SPLINE SHAFT</i>	<i>11</i>	
1	100-0116-0	SPACER,PLASTIC,.250 DIA X .625,#4,BLK	4	
1	100-0126-0	HOLDER,CABLE TIE .75" SQUARE,ADHESIVE BK	1	
1	105-0005-0	INSULATOR,9MIL,TO-126,GRY,GREASLESS	2	
1	105-0010-0	INSULATOR,GREASED MICA	1	
1	111-0041-0	BOLT,4-40,1/4,PHP,CAD	2	
1	111-0101-0	BOLT,4-40,5/8,PHP,CAD.	4	
1	111-0361-0	BOLT,4-40,2 1/4,PHP,ZINC	4	
1	111-4060-0	SCREW,4AB,3/8,FHP 82^,B.Z.	4	
1	111-5040-0	SCREW,#4,1/4,PLASTITE,PHP,B.Z.	2	
1	111-6001-0	NUT,4-40,KEP SMALL	3	
1	111-7011-0	WASHER,#4,SPLIT	33	
1	111-7017-0	WASHER,SHOULDER,#4,NYLON	1	

LVL.	PART#	DESCRIPTION	QTY	REF. DESIG.
1	111-7021-0	WASHER,#4,FLAT,CAD	4	
1	111-8061-0	TR-BOLT,4-40,3/8,PHP,CAD	11	
1	111-8081-0	TR-BOLT,4-40,1/2,PHP,CAD	12	
1	112-8060-0	TR-BOLT,6-32,3/8,PHP,B.Z.	2	
1	112-9060-0	TR-BOLT,6-32,3/8,FHP,B.Z.	10	
1	113-3060-0	SCREW,8AB,3/8,PHP,B.O.	2	
1	113-8080-0	TR BOLT,8-32,1/2,PHP,B.O.	4	
1	114-1060-0	BOLT,10-32,3/8,FHP 82^,B.Z.	4	
1	115-2220-0	BOLT,5/16-18,2 3/4",CARRIAGE,B.Z.	1	
1	115-6000-0	NUT,5/16-18,HEX,CAD	1	
1	115-7008-0	WASHER,8MM,BELLEVILLE,SPRING STEEL	2	
1	132-0024-B	700/400RB HEAT SINK	1	ECO#1 04/06/1999
2	129-0024-0	EXTRUSION,HEAT SINK,700B	1	
1	132-0575-C	700/400 RB RACK EAR	2	
2	120-0005-0	ALUM .100,5052-H32 48X144	22	
1	132-0592-C	700RB CHASSIS/120V	1	
2	131-0592-C	700RB CHASSIS,UNSCREENED	1	
1	111-6010-0	STANDOFF,SO-440-10	2	
1	111-6018-0	STANDOFF,SO-440-18	4	
1	111-6094-0	STUD,440-4,1/4	3	
1	114-6057-0	NUT,S-032-1,STEEL,FOR 18 GAGE	4	
1	120-0027-0	VINYL CLAD,E. GALV. STEEL,18G,48"X96"	462	
2	505-0592-A	700RB R. PANEL ART WORK,120V	1	
1	132-0593-B	700/400RB TOP COVER	1	
2	120-0026-0	ALUM. 090, 5025-H32 36X144	273	
1	132-0616-A	700RB XFORMER SHIELD	1	
2	120-0012-0	STEEL,20 GA.036 EGC 48X120	42	
1	150-0002-0	700RB CARTON	1	
1	150-0003-0	700RB PACK	1	
1	150-0019-0	BAG,POLY 18X24XC [2 MIL.]	1	
1	150-0023-0	BAG,POLY 10 X 16 1 1/2 MILL	2	
1	152-0002-0	BAG,4"X16",FOR PWR CORD	1	
1	153-0007-0	LABEL,GK SERIAL NO.	1	

LVL	PART#	DESCRIPTION	QTY	REF. DESIG.
1	160-0001-A	MANUAL,700RB	1	
1	202-0050-A	WIRE ASSY,26GA,BLK,17",2PIN	1	
1	202-5001-A	WIRE ASSY,4X16GA,8',ST/ST	1	
1	202-6000-A	WIRE ASSY,14GA,GRN,3",CHASSIS GROUND	1	

206-0105-F 700RB Pre Amp

LVL	PART#	DESCRIPTION	QTY	REF. DESIG.
2	001-1030-1	TL072CP, LOW NOISE JFET OPAMP	6	U3-8
2	001-1042-0	RC5532NB BI-POLAR OP-AMP	2	U1,2
2	010-1013-0	MPSA56 PNP 80V 500MA TO-92	1	Q2
2	010-2010-0	J113 N-JFET 35V 2MA TO-92	1	Q1
2	010-2040-0	J406 DUAL N-CH JFET 8PIN DIP	1	Q3
2	020-0120-0	1N759A,ZENER, 12V,5%,400MW,DO-35	10	D2,3,4,5,10,11,12,13,14,15
2	020-1000-0	1N4148,RECT-FAST,200MA,100V,4NS,DO-35	2	D6,7
2	025-0012-0	LED,RED/GRN,5MM,630NM/560NM,15MCD/15MCD	1	D1
2	025-0101-0	LED,GRN,3MM,565NM,6MCD,10MA,40DEG	1	D8
2	025-0116-0	LED,RED,3MM,635NM,6MCD,10MA,40 DEG	A	D9
2	030-2102-0	CAP,CER,AX,102,10%,50V,X7R	1	C1
2	030-2103-0	CAP,CER,AX,103,10%,50V,X7R	3	C25,26,37
2	030-2104-0	CAP,CER,AX,104,10%,50V,X7R	7	C8,11,19,29,34,40,47
2	030-2153-0	CAP CER AXIAL,153,10%,50V,X7R	2	C9,12
2	030-2221-0	CAP,CER,AX,221,10%,50V,NP0	3	C13,15,16
2	030-2222-0	CAP,CER,AX,222,10%,50V,X7R	3	C27,28,30
2	030-2224-0	CAP,CER AXIAL,224,20%,50V,Z5U	1	C2
2	030-2332-0	CAP,CER AXIAL,332,10%,50V,X7R	3	C6,7,10
2	030-2470-0	CAP,CER AXIAL,47 PF,10%,50V,NPO	1	C23
2	030-2472-0	CAP,CER AXIAL,472,10%,50V,X7R	6	C3,31,32,35,52,53
2	030-2561-0	CAP,CER AXIAL,561,10%,50V,X7R	1	C33
2	030-4100-0	CAP,CER AXIAL,10 PF,10%,100V	1	C44
2	030-4101-0	CAP,CER AXIAL,101,5%,100 V,COG	2	C24,48
2	031-0106-1	CAP,ELEC,RAD,106,20%,25V,NP	8	C4,5,14,17,18,36,43,45
2	031-0107-0	CAP,ELEC,RAD,107,+/-20%,16V,LOW LEAKAGE	1	C49
2	031-1336-0	CAP,ELEC,RAD,336,-10%+50%,25V	1	C16
2	031-2106-0	CAP,ELEC,RAD,106,-10%+50%,50V	4	C38,39,50,51
2	031-2107-0	CAP,ELEC,RAD,107,-10%+50%,50V	2	C41,42
2	031-2335-0	CAP,ELEC,RAD,335,20%,50V	4	C54-57
2	050-1001-0	RES,CARBON FILM,100 OHM,1/8W,5%	1	R30
2	050-1002-0	RES,CARBON FILM,1K OHM,1/8W,5%	4	R7,19,24,28

LVL	PART#	DESCRIPTION	QTY	REF. DESIG.
2	050-1003-0	RES,CARBON FILM,10K OHM,1/8W,5%	11	R1,6,11-14,16,22,26,27,29
2	050-1004-0	RES,CARBON FILM,100K OHM,1/8W,5%	9	R4,5,9,15,17,77,78,89,94
2	050-1005-0	RES,CARBON FILM,1M OHM,1/8W,5%	3	R54,73,88
2	050-1203-0	RES,CARBON FILM,12K OHM,1/8W,5%	10	R3,31,44,47,49,50,60,64,66,87
2	050-1503-0	RES,CARBON FILM,15K OHM,1/8W,5%	1	R85
2	050-2201-0	RES,CARBON FILM,220 OHM,1/8W,5%	1	R34
2	050-2202-0	RES,CARBON FILM,2.2K OHM,1/8W,5%	4	R2,63,79,82
2	050-2203-0	RES,CARBON FILM,22K OHM,1/8W,5%	1	R39
2	050-2204-0	RES,CARBON FILM,220K OHM,1/8W,5%	2	R59,72
2	050-2205-0	RES,CARBON FILM,2.2M OHM,1/8W,5%	1	R67
2	050-2702-0	RES,CARBON FILM,2.7K OHM,1/8W,5%	2	R8,18
2	050-3302-0	RES,CARBON FILM,3.3K OHM,1/8W,5%	1	R65
2	050-3303-0	RES,CARBON FILM,33K OHM,1/8W,5%	2	R58,93
2	050-3304-0	RES,CARBON FILM,330K OHM,1/8W,5%	1	R23
2	050-3904-0	RES,CARBON FILM,390K OHM,1/8W,5%	1	R71
2	050-4701-0	RES,CARBON FILM,470 OHM,1/8W,5%	4	R74,76,83,86
2	050-4702-0	RES,CARBON FILM,4.7K OHM,1/8W,5%	2	R32,68
2	050-4703-0	RES,CARBON FILM,47K OHM,1/8W,5%	5	R38,41,43,48,52
2	050-4704-0	RES,CARBON FILM,470K OHM,1/8W,5%	4	R37,42,45,51
2	050-5102-0	RES,CARBON FILM,5.1K OHM,1/8W,5%	1	R81
2	050-5602-0	RES,CARBON FILM,5.6K OHM,1/8W,5%	6	R21,35,36,53,55,62
2	050-5603-0	RES,CARBON FILM,56K OHM,1/8W,5%	1	R69
2	050-6802-0	RES,CARBON FILM,6.8K OHM,1/8W,5%	1	R80
2	050-8202-0	RES,CARBON FILM,8.2K OHM,1/8W,5%	1	R84
2	060-1002-0	RES,METAL FILM,1.00K,1/8W,1%	2	R95,96
2	060-1213-0	RES,METAL FILM,12.1 K OHM,1/8W,1%	2	R90,92
2	060-1274-0	RES,METAL FILM,127K,1/8W,1%	1	R57
2	070-1513-0	POT,50K-15A,7MM,KNURL,.1W	2	R75,91- volume, level pots
2	070-1514-0	POT,50KB,7MM,KNURL,.1W	7	R20,25,33,40,46,56,61-twtr,boost,EQ,pres.
2	070-1522-0	POT,2KB,7MM,KNURL,.1W	2	R10,70- woofer, contour pots
2	090-0007-0	SWITCH,8A/128A,250V,PP,PCB	1	S8
2	090-0012-0	SWITCH,MINI PP,DPDT,.1A BRK/MAKE,PC TER	7	S1-7- all switches
2	092-0010-0	FASTON,M,PC,,.25"	2	J9,10
2	092-0069-0	FASTON,M,HOR,PC,0.250"	2	J9,10- ECO#10

LVL	PART#	DESCRIPTION	QTY	REF. DESIG.
2	092-0081-0	JACK, 1/4", MONO, PC, NON GROUNDING	4	J5-8- input, send, return, tuner jacks
2	092-0084-0	C0N,XLR,MALE,PC,PL,SCREW MNT	1	J4
2	093-0051-0	HDR,2MMX2,VERT,MALE,LOCK	2	J1,2
2	093-2005-0	HDR,2MMX7,VERT,SHROUDED	1	J3
2	100-0119-0	SPACER,LED,NYLON,.250"	3	
1	145-0105-F	700RB PREAMP RAW PCB	1	

206-0104-F 700RB Power Amp

LVL	PART #	DESCRIPTION	QTY	REF. DESIG.
2	001-2060-0	LM555CN TIMER	1	U1
2	001-3886-0	LM3886T,68W AUDIO POWER AMP	1	U2
2	010-0000-0	2SC3381BL,NPNX2,80V,100MA,2-10M1B	1	Q2
2	010-0001-0	2SC3478,NPN,180V,100MA	2	Q6,26
2	010-0012-0	MPSA06 NPN 80V 500MA TO-92	9	Q4,7,8,10-13,15,16
2	010-1002-0	2SA1376,PNP,180V,100MA,TO-92	2	Q5,9
2	010-1013-0	MPSA56 PNP 80V 500MA TO-92	4	Q1,3,14,40
2	012-0002-0	2SC4793 NPN 200V 1.5A 2-10R1A	5	Q19,21-23,39
2	012-0003-0	2SC5242,NPN,230V,15A,2-16C1A	6	Q27-29,33-35
2	012-1002-0	2SA1837 PNP 200V 1.5A 2-10R1A	3	Q20,24,25
2	012-1003-0	2SA1962,PNP,230V,15A,2-16C1A	6	Q30-32,36-38
2	020-0004-0	1N755A,ZENER,7.5V,500MW,DO-35	1	D9
2	020-0036-0	1N747A,ZENER,3.6V,5%,400MW,DO-35	2	D14,15
2	020-0051-0	1N5338B,ZENER,5.1V,5W	2	D11,16
2	020-0150-0	1N965B,ZENER,15V,5%,500MW,DO-35	2	D8,12
2	020-1000-0	1N4148 ,RECT-FAST,200MA,100V,4NS,DO-35	12	D1,4-7,10,13,21-24,D31
2	020-1022-0	BAV20,DIODE RECT,200V	2	D2,3
2	020-1120-0	MUR120,RECT-FAST,1A,200V,25NS,59-04	2	D17,18
2	020-1122-0	MUR410,RECT-FAST,4A,100V	6	D25-30
2	020-2106-0	1N4004,RECT,1A,150V,DO-41	2	D19,20
2	022-0042-0	THERMISTOR,PTC,50DEG C	1	R77
2	023-0112-0	BRIDGE,25A,200V,VERT,PC,MP25S-02	3	BR1,2,3
2	030-2102-0	CAP,CER,AX,102,10%,50V,X7R	3	C19,20,35
2	030-2103-0	CAP,CER,AX,103,10%,50V,X7R	1	C4
2	030-2104-0	CAP,CER,AX,104,10%,50V,X7R	3	C6,7,52
2	030-2221-0	CAP,CER,AX,221,10%,50V,NP0	1	C34
2	030-2271-0	CAP,CER AXIAL,271,10%,50V,NPO	1	C9
2	030-2393-0	CAP,CER AXIAL,393,10%,50V,X7R	1	C32
2	030-2470-0	CAP,CER AXIAL,47 PF,10%,50V,NPO	2	C10,33

LVL	PART#	DESCRIPTION	QTY	REF. DESIG.
2	030-2472-0	CAP,CER AXIAL,472,10%,50V,X7R	10	C16,26,28,29,31,36,48,49,50,51
2	031-1336-0	CAP,ELEC,RAD,336,-10%+50%,25V	3	C12,13,15
2	031-2105-0	CAP,ELEC,RAD,105,-10/+20%,50V	1	C5
2	031-2106-0	CAP,ELEC,RAD,106,-10%+50%,50V	5	C8,17,18,23,30
2	031-2107-0	CAP,ELEC,RAD,107,-10%+50%,50V	7	C1-3,21,22,37,38
2	031-2159-0	CAP,ELEC,RAD,159,20%,50V	4	C39-41,45
2	032-7104-0	CAP,PE,104,20%,250V	7	C14,42,43,53,54,46,47
2	034-7103-0	CAP,CERAMIC DISK,103,10%,X-250V	1	C44
2	035-8100-0	CAP,MICA,10PF,5%,500V	1	C11
2	035-8131-0	CAP,MICA,130PF,5%,500V	2	C24,25
2	050-0101-0	RES,CF,10,1/8W,5%	6	R28,37,49,63,85,87
2	050-0471-0	RES,CARBON FILM,47 OHM,1/8W,5%	2	R41,46
2	050-1001-0	RES,CARBON FILM,100 OHM,1/8W,5%	2	R8,9
2	050-1003-0	RES,CARBON FILM,10K OHM,1/8W,5%	6	R4,25,42,45,47,67
2	050-1004-0	RES,CARBON FILM,100K OHM,1/8W,5%	2	R1,2
2	050-1501-0	RES,CARBON FILM,150 OHM,1/8W,5%	2	R17,20
2	050-1801-0	RES,CARBON FILM,180 OHM,1/8W,5%	1	R55
2	050-2203-0	RES,CARBON FILM,22K OHM,1/8W,5%	1	R83
2	050-3301-0	RES,CARBON FILM,330 OHM,1/8W,5%	1	R84
2	050-3302-0	RES,CARBON FILM,3.3K OHM,1/8W,5%	1	R5
2	050-4701-0	RES,CARBON FILM,470 OHM,1/8W,5%	12	R15,21,43,48,64,68-72,76,90
2	050-4702-0	RES,CARBON FILM,4.7K OHM,1/8W,5%	3	R26,32,34
2	050-4703-0	RES,CARBON FILM,47K OHM,1/8W,5%	3	R3,24,81
2	050-5601-0	RES,CARBON FILM,560 OHM,1/8W,5%	1	R56
2	051-0100-0	RES,CARBON FILM,1 OHM,1/4W,5%	4	R39,40,50,54
2	051-0270-0	RES,CARBON FILM,2.7 OHM,1/4W,5%	2	R33,36
2	051-0330-0	RES,CARBON FILM,3.3 OHM,1/4W,5%	1	R86
2	051-4701-0	RES,CARBON FILM,470 OHM,1/4W,5%	2	R13,14
2	054-0100-0	RES,CARBON FILM,1 OHM,1W,5%	2	R52,53
2	055-.100-0	RES,WW,.1 OHM,2W,5%	6	R57-62
2	055-0101-0	RES,METAL OXIDE,10 OHM,2W,5%	2	R73,74
2	055-2702-0	RES,METAL OXIDE,2.7K OHM,2W,5%	2	R88,89
2	056-0100-0	RES,WIRE WOUND,1.0 OHM,5W,10%	1	R75
2	060-1002-0	RES,METAL FILM,1.00K,1/8W,1%	13	R6,11,16,18,19,22,31,35,38,44,51,78,82
2	060-1213-0	RES,METAL FILM,12.1 K OHM,1/8W,1%	2	R7,10
2	060-1302-0	RES,METAL FILM,1.3 KOHM,1/8W,1%	2	R65,66

LVL	PART#	DESCRIPTION	QTY	REF. DESIG.
2	060-2003-0	RES,METAL FILM,20.0K OHM,1/8W,1%	2	R79,80
2	060-4322-0	RES,METAL FILM,43.2K OHM,1/8W,1%	1	R12
2	060-4530-0	RES,METAL FILM,45.3 OHM,1/8W,1%	1	R29
2	060-6340-0	RES,METAL FILM,63.4 OHM,1/8W,1%	1	R30
2	060-7501-0	RES,METAL FILM,750 OHM,1/8W,1%	1	R27
2	070-0520-0	POT,500 OHM TRIM,VERT	1	R23
2	081-0032-0	INDUCTOR .4 UH WITH 1 OHM 2W RESISTOR	1	RL1
2	081-0055-0	INDUCTOR,2UH,20A,AIR CORE	1	L1
2	091-1001-0	THRM BRKR 85C +/-5,0-DIFF,PC	1	J1
2	092-0001-0	CON,IECX3,10A,250V,PC TERM	1	J2
2	092-0066-0	FASTON,M,PC,.250"	4	T1,2,3,4
2	092-0070-0	JACK,SPEAKON,PC MOUNT, NEUTRIK NL4MD-H	2	J3,4
2	092-0082-0	JACK,1/4",MONO,PC,GROUNDING	2	
2	093-0025-0	HDR,.1X2,VERT,MALE,LOCK,GOLD	2	P2,4
2	093-0051-0	HDR,2MMX2,VERT,MALE,LOCK	2	P1,5
2	093-1010-0	HDR,.156X7,VERT,MALE,LOCK,SQR PINS,TIN	1	P6
2	093-2005-0	HDR,2MMX7,VERT,SHROUDED	1	P3
2	094-0004-0	FUSE CLIP,5MM, P.C. MOUNT	2	F5
2	100-0105-0	SPACER NYLON, .187" #4	2	
2	105-0007-0	INSULATOR TUBE	1	
2	145-0104-F	700RB POWER AMP BOARD	1	