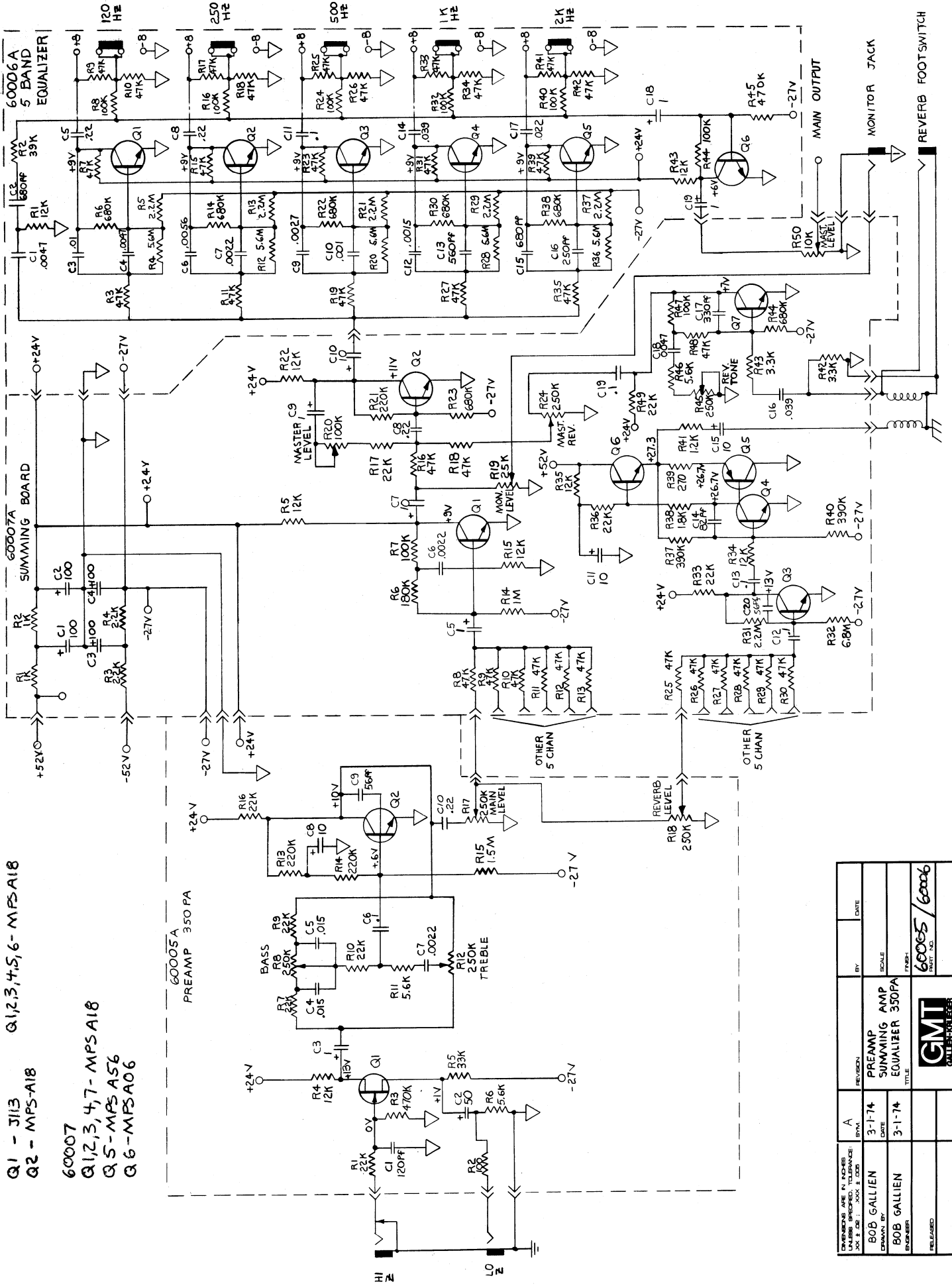
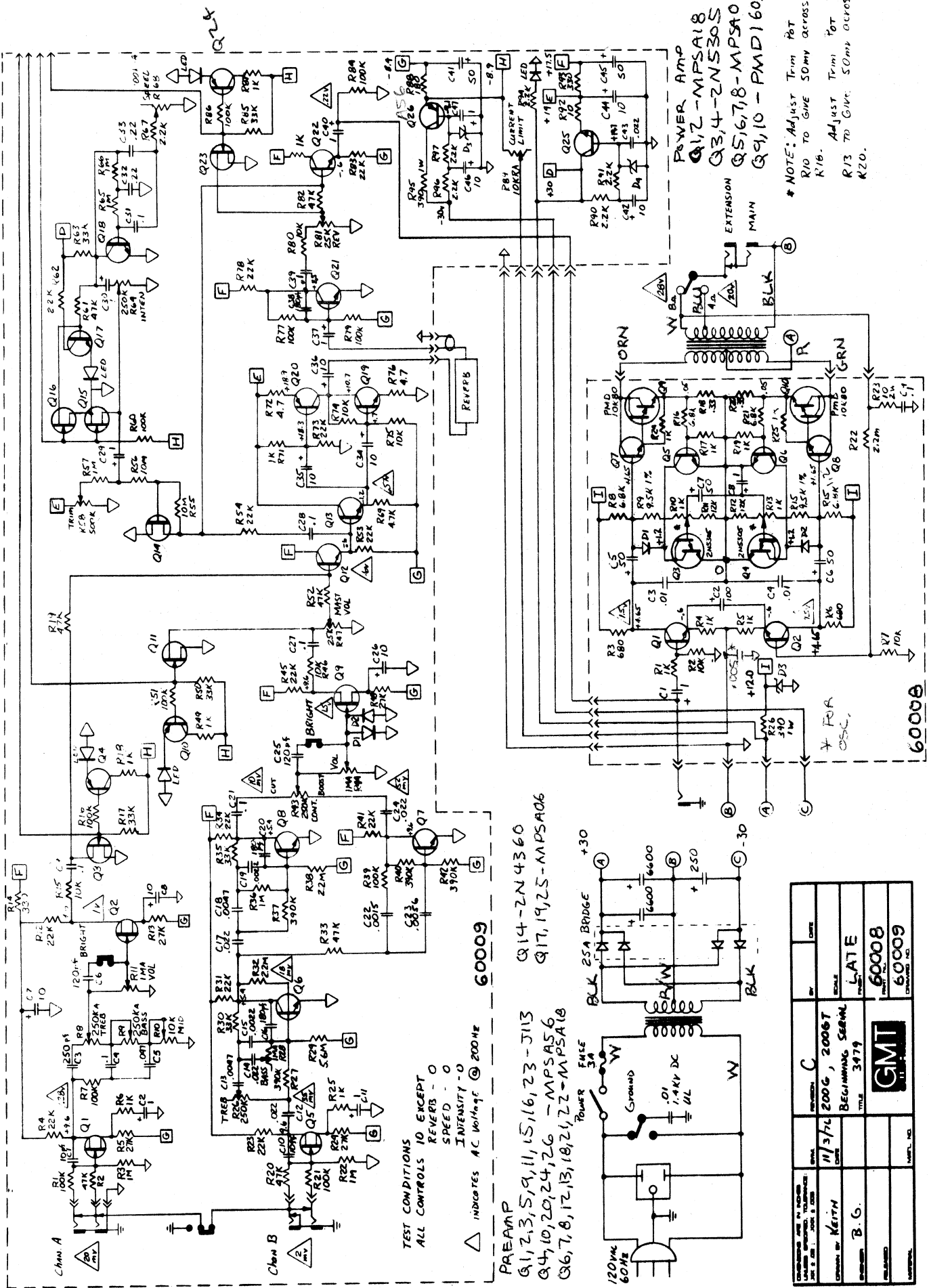


- 60005 Q1 - J113
- 60006 Q1,2,3,4,5,6 - MPSA18
- 60007 Q1,2,3,4,7 - MPSA18
- 60008 Q5 - MPSA56
- 60009 Q6 - MPSA06

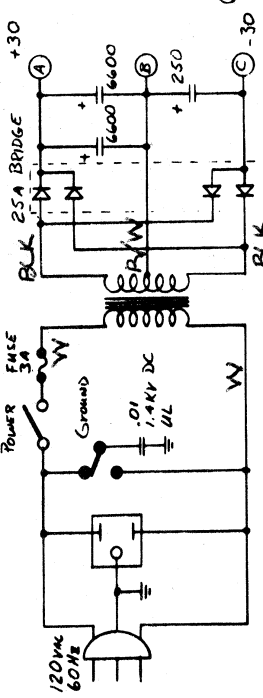


REVISION	DATE	BY	SCALE
A		BOB GALLIEN	
3-174		BOB GALLIEN	
3-1-74		BOB GALLIEN	
PREAMP SUMMING AMP EQUALIZER 350FA TITLE			
DRAWINGS NO. 60005/60006		PART. NO.	
MATERIAL		CHECKED BY	
RELEASED		DATE	



TEST CONDITIONS
 ALL CONTROLS 10 EXCEPT
 REVERS - 0
 SPEED - 0
 INTENSITY - 0
 INDICATES AC Voltage @ 200Hz

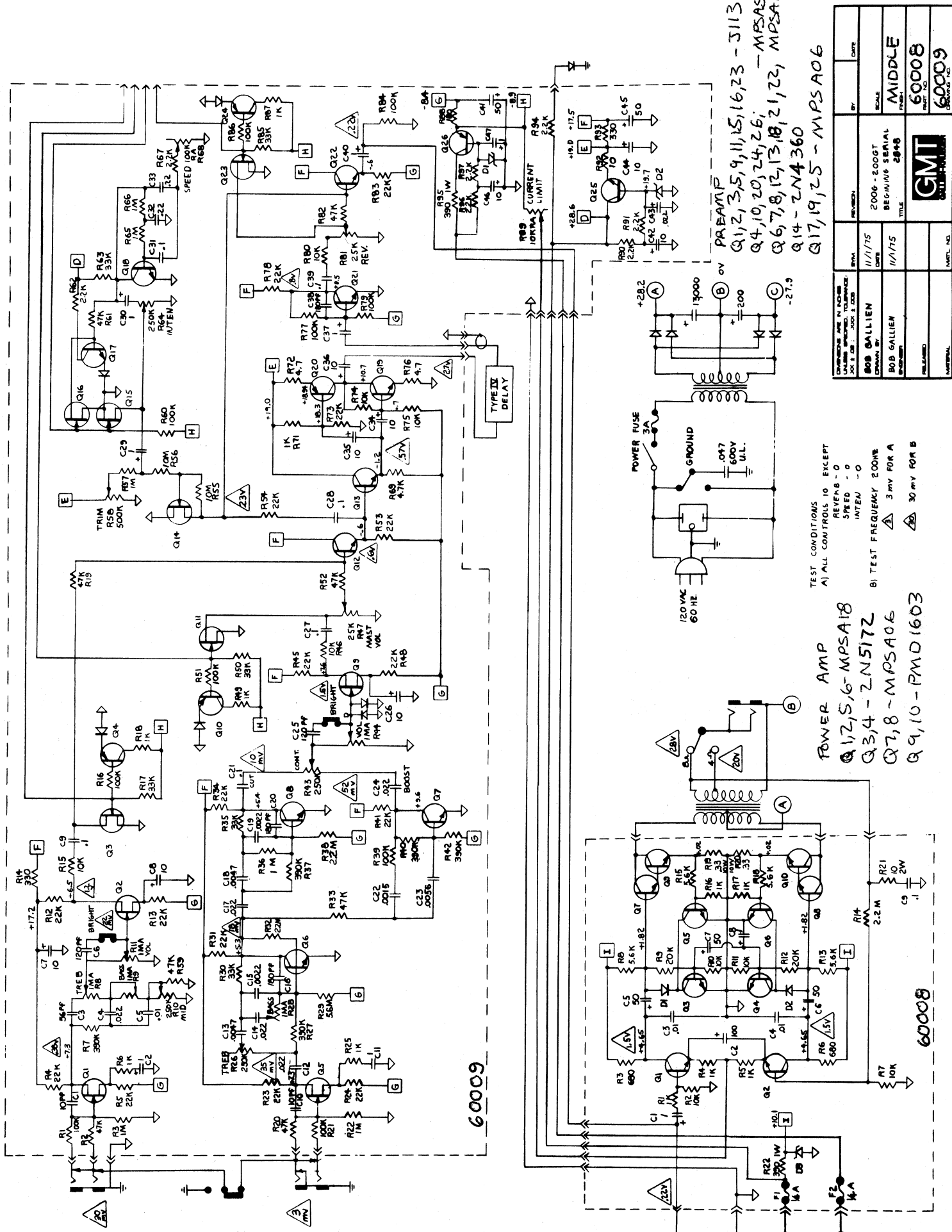
PREAMP
 Q1, 2, 3, 5, 9, 11, 15, 16, 23 - J113
 Q4, 10, 20, 24, 26 - MP5A56
 Q6, 7, 8, 12, 13, 18, 21, 22 - MP5A18



POWER AMP
 Q1, 2 - MP5A18
 Q3, 4 - 2N5305
 Q5, 6, 7, 8 - MP5A06
 Q9, 10 - PMD1603

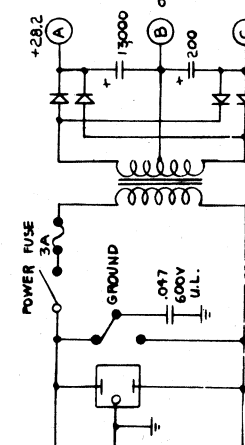
* NOTE: Adjust Trim Pot R10 TO GIVE 50mv across R16.
 Adjust Trim Pot R13 TO GIVE 50mv across R20.

COMPONENTS AND KIT INSTRUCTIONS	REVISED	C	DATE
DATE OF ORDER: 11/3/76	200G, 2006T		
ORDERED BY: KERN	BEGINNING SERIAL		
BY: B.G.	TITLE: 3479		
	60008		
	60009		
	GM		



Q1,2,3,5,9,11,15,16,23 - J113
 Q4,10,20,24,26, - MPSA56
 Q6,7,8,12,13,18,21,22, MPSA18
 Q14 - 2N4360
 Q17,19,25 - MPSA06

DESIGNED BY	DATE
REVISION	
2006-2007	
BEG/IN/6 SERIAL	
2848	
TITLE	
MIDDLE	
60008	
60009	



TEST CONDITIONS
 A) ALL CONTROLS 10 EXCEPT
 REVERB - 0
 SPEED - 0
 INTEN - 0
 B) TEST FREQUENCY 2000 Hz
 3 mV FOR A
 30 mV FOR B

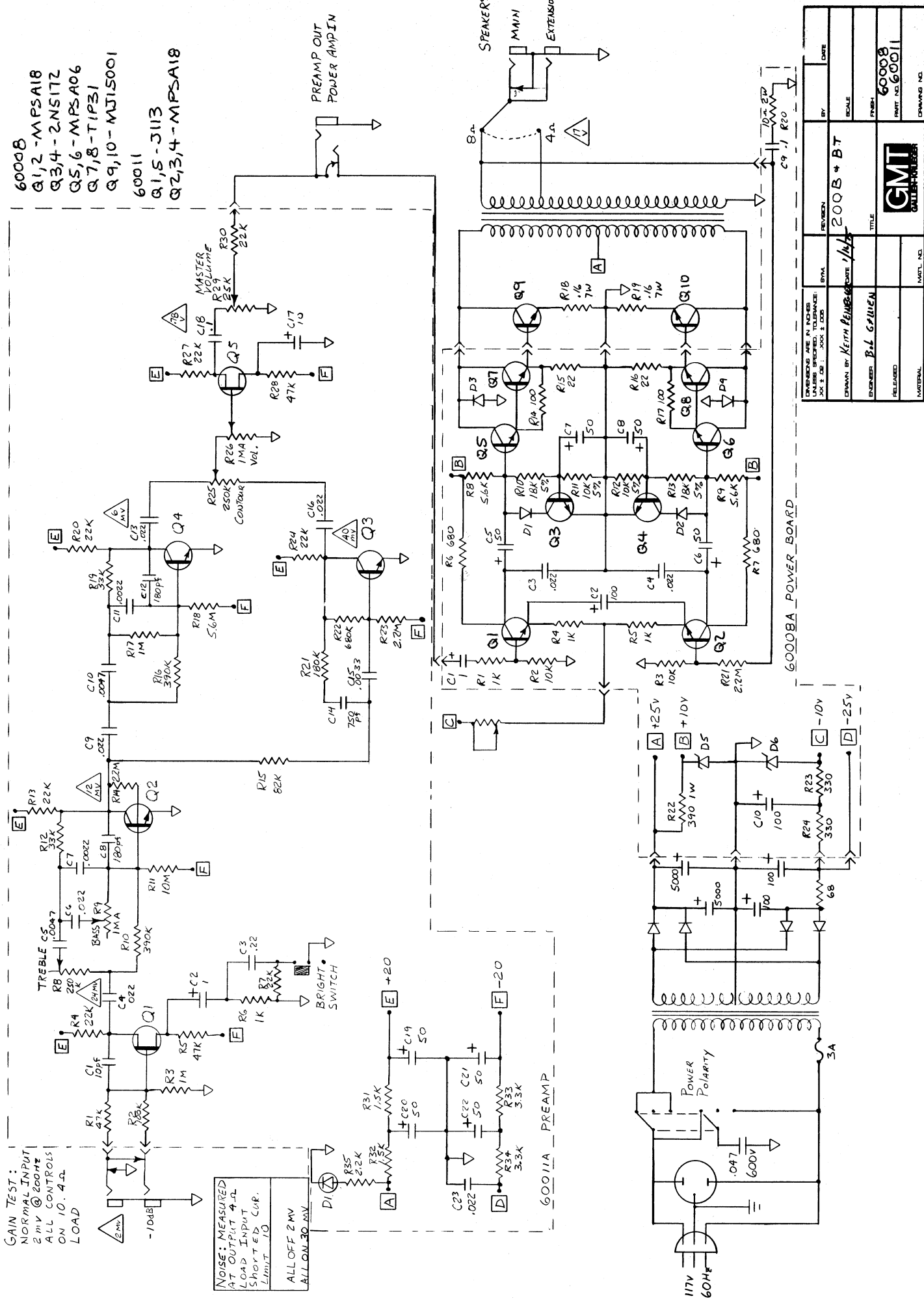
POWER AMP
 Q1,2,5,6 - MPSA18
 Q3,4 - 2N5172
 Q7,8 - MPSA06
 Q9,10 - PMD1603

60008

GAIN TEST:
 NORMAL INPUT
 2 mV @ 200Hz
 ALL CONTROLS
 ON 10.4A
 LOAD

NOISE: MEASURED
 AT OUTPUT 4-Ω
 LOAD INPUT
 SHORTED CUR.
 LIMIT 1.0

ALL OFF 2 MV
 ALLOW 30 MV



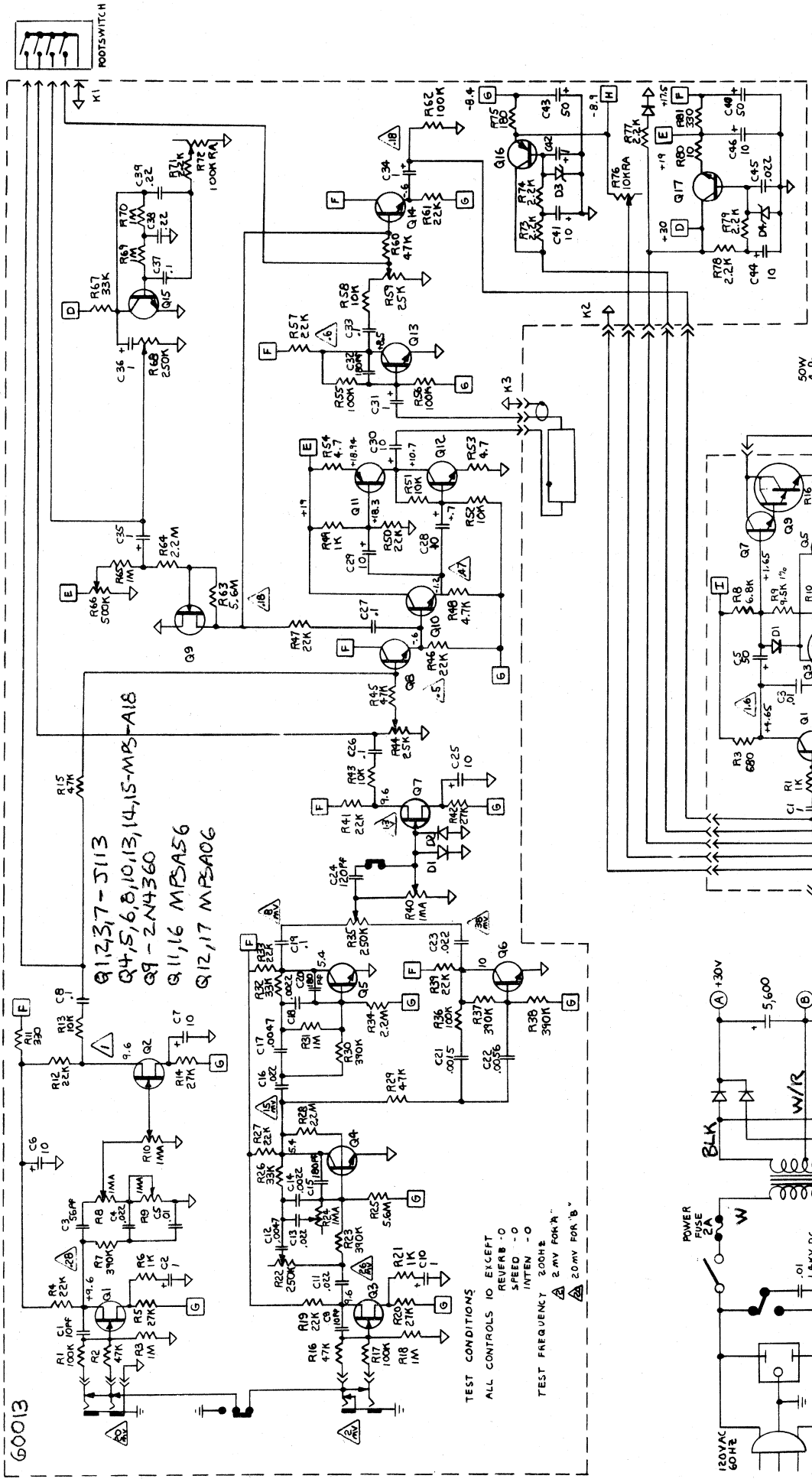
- 6000B
- Q1,2 - 6MPSA18
- Q3,4 - 2NS1T2
- Q5,6 - MPSA06
- Q7,8 - TIP31
- Q9,10 - MJ15001
- 60011
- Q1,5 - 3J13
- Q2,3,4 - MPSA18

DESIGNER	DATE
ENGINEER	BY
RELEASER	SCALE
MATERIAL	REVISION
	2008 & BT
	DATE 1/14/07
	6000B
	PRINT NO. 60011
	DRAWING NO.
	6000B
	SCALE
	REVISION
	DATE 1/14/07
	6000B
	PRINT NO. 60011
	DRAWING NO.



6000B
 PRINT NO. 60011

ENGINEER: B.L. GRIFFIN
 RELEASER: B.L. GRIFFIN
 MATERIAL: 6000B
 DATE: 1/14/07
 SCALE: 2008 & BT

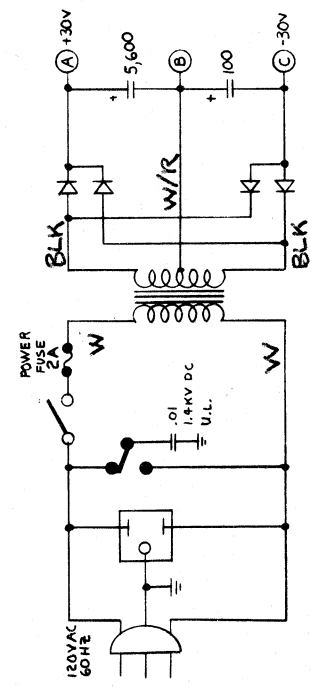


NOTE: ADJUST R10 TO GIVE 90MV ACROSS R18
ADJUST R13 TO GIVE 40MV ACROSS R20

POWER AMP
Q1,2,5,6 - MPS A18
Q3,4 - 2N5305
Q7,8 - MPS A06
Q9,10 - PMD1603

Q1,2,3,7 - J113
Q4,5,6,8,10,13,14,15 - MPS A18
Q9 - 2N4360
Q11,16 - MPS A56
Q12,17 - MPS A06

TEST CONDITIONS
ALL CONTROLS TO EXCEPT REVERSE - O
SPEED - O
INTEN - O
TEST FREQUENCY 200HZ
2 MV FOR 'A'
20 MV FOR 'B'

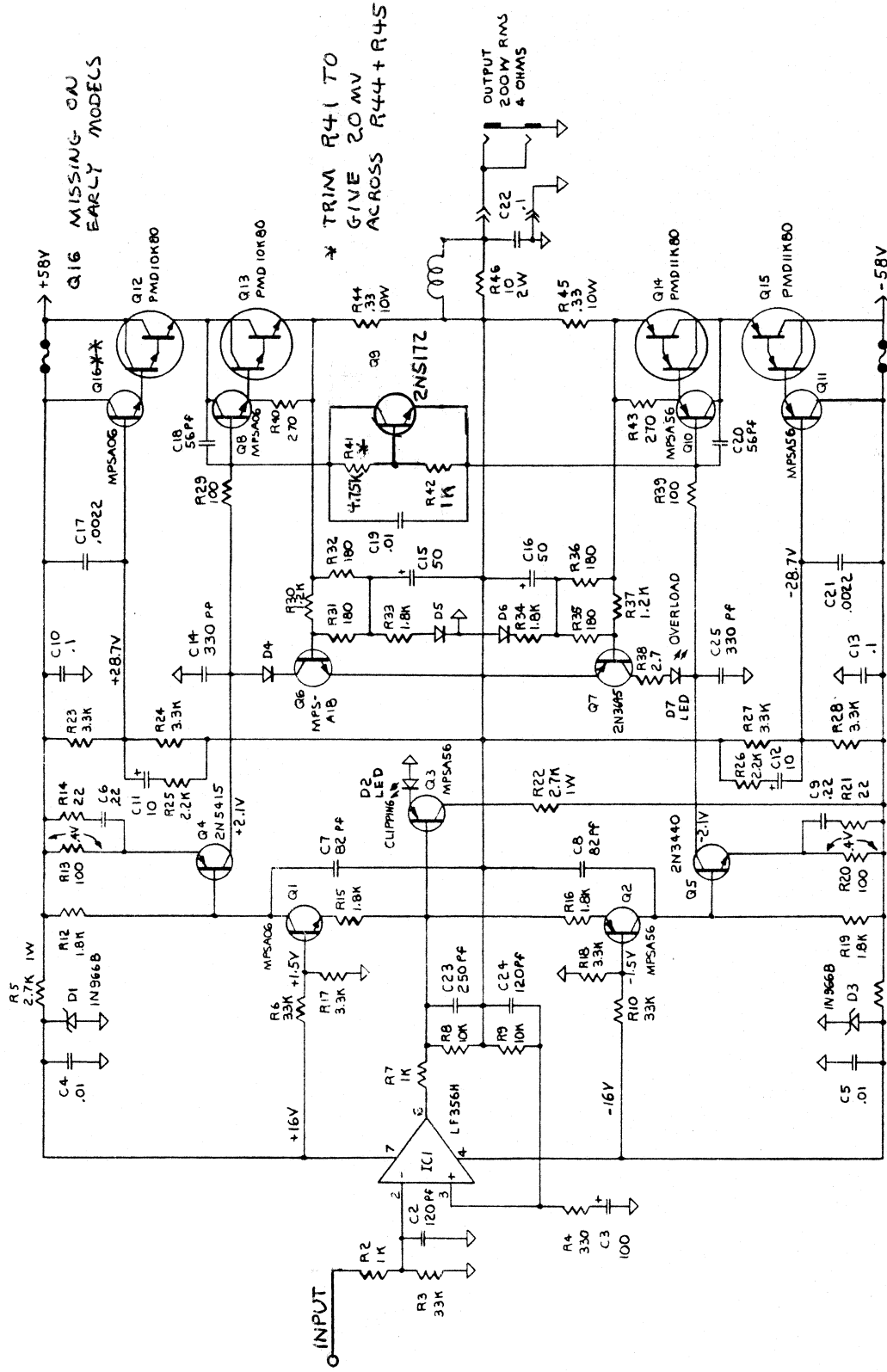


60012B

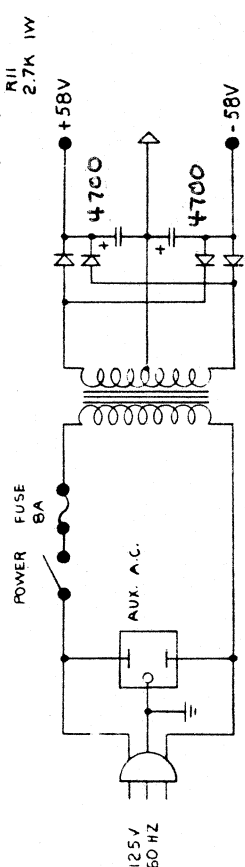
DESIGNER'S ARE IN NO. 8	DATE	BY	DATE
UNLESS SPEC'D, TOLERANCE IS 1% FOR RESISTORS	100 G	SCALE	
808 GALLIEN	4/29/76	DATE	
808 GALLIEN	4/19/76	DATE	
ENGINEER		TITLE	
RELEASED		PART. NO.	60012/60013
MATERIAL		DRAWN	NO. 1



POWER AMP



MISSING GA EARLY MODELS

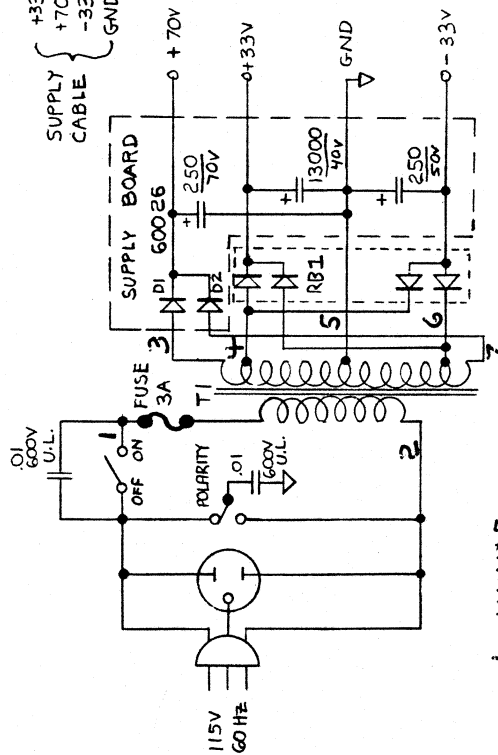


DESIGNED BY: BOB GALLIEN	DATE: XXX.X.XXX	BY:	DATE:
DRAWN BY: BOB GALLIEN	DATE: XXX.X.XXX	SCALE:	
ENGINEER:		REVISION:	
RELEASED:		TITLE: POWER AMP 400B	
MATERIAL:		PART NO.:	60014
		DATE:	

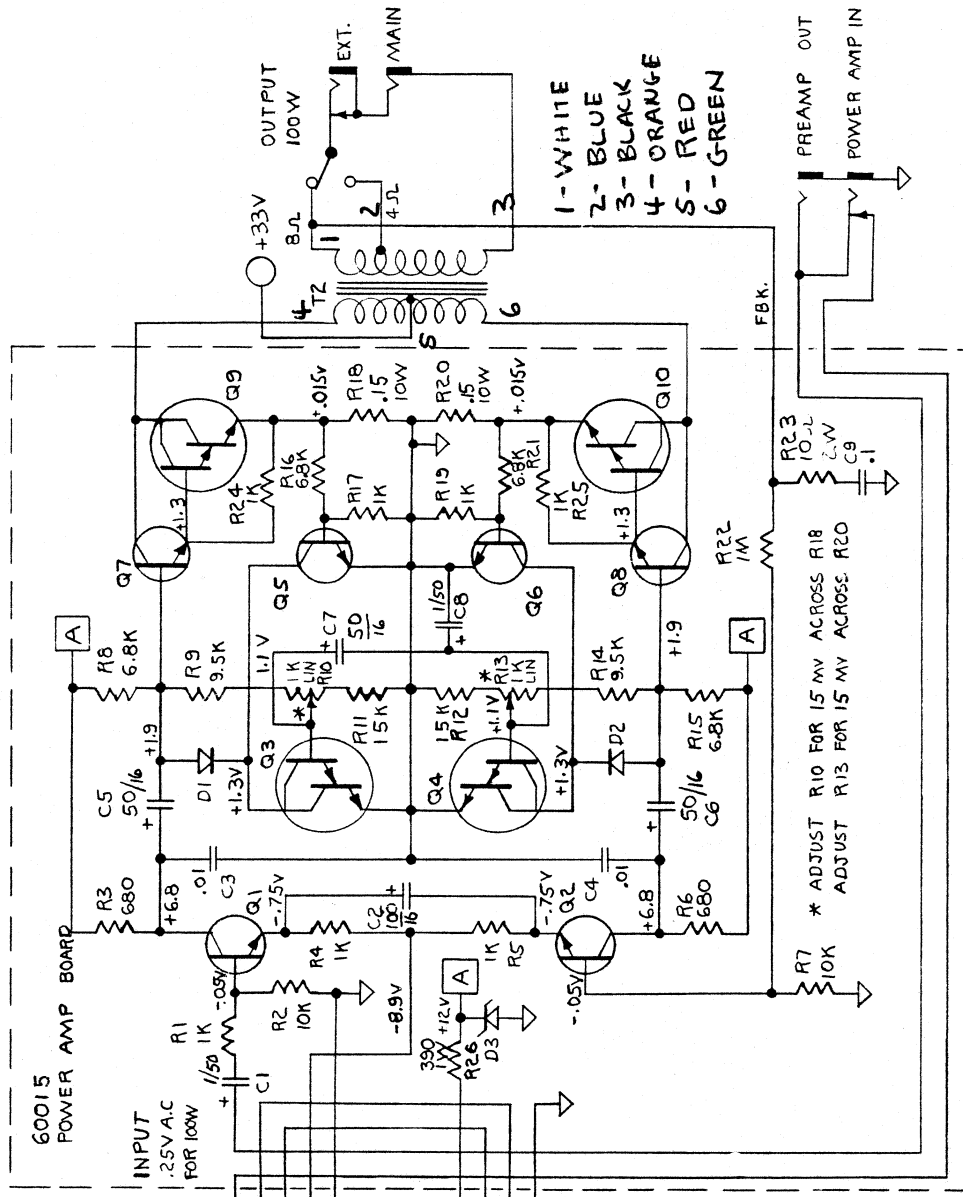


POWER AMP AND
POWER SUPPLY 210/212-G

- Q1, 5, 6 - MPSA18
- Q3, 4 - 2N5305
- Q7, 8 - MPS 406
- Q9, 10 - PMD 10K80
- D1, 2 - 1N4002
- D3 - 1N759
- RB1 - KBZ2502



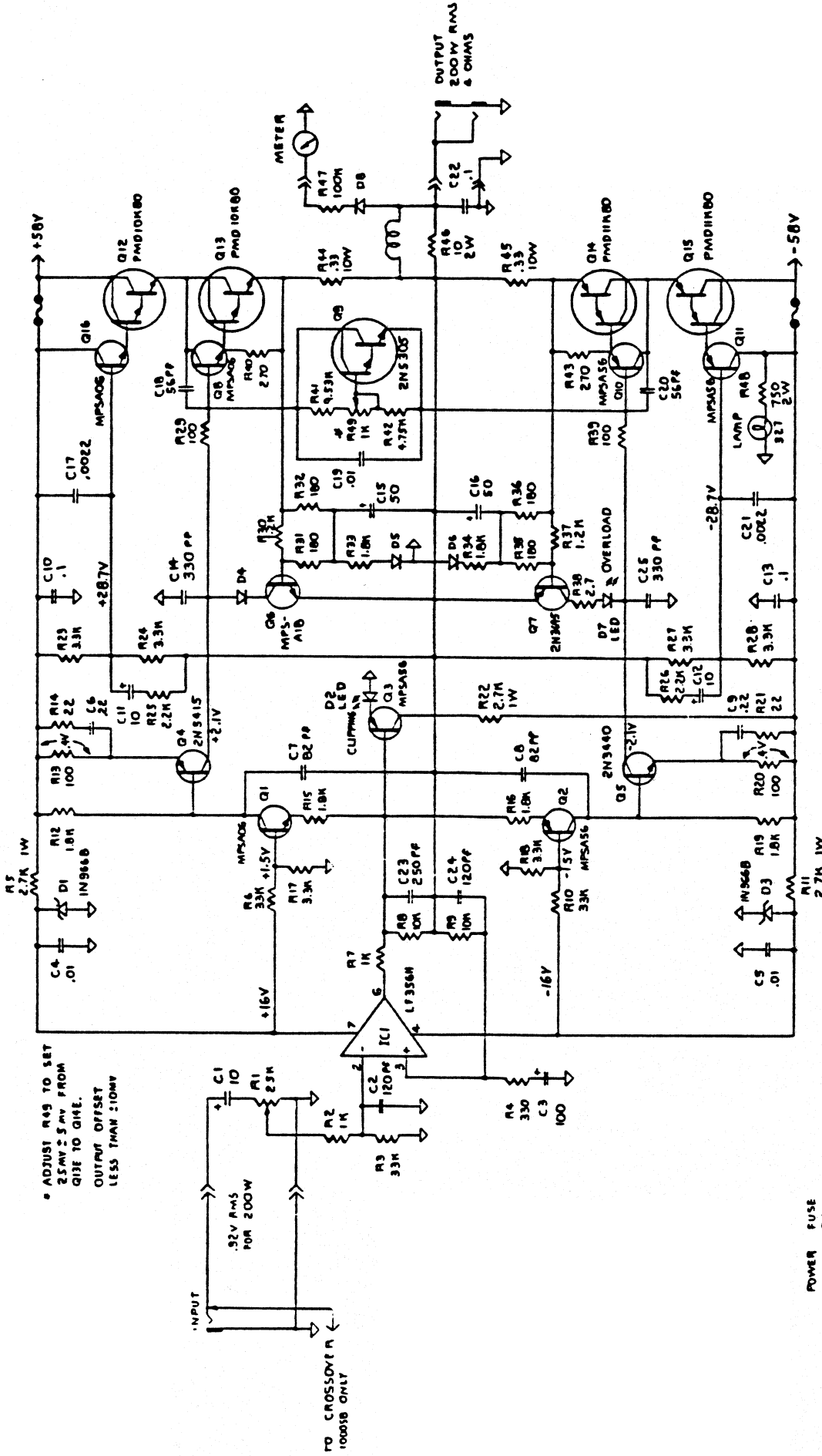
- 1 - WHITE
- 2 - WHITE
- 3 - BLUE
- 4 - BLACK
- 5 - RED/WHITE
- 6 - BLACK
- 7 - BLUE



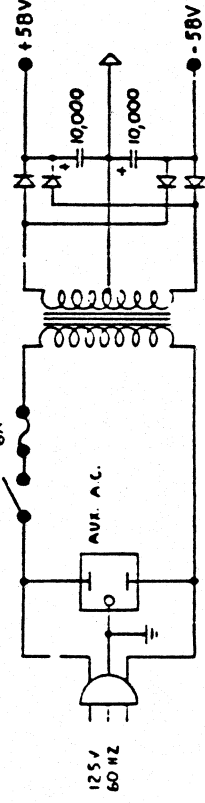
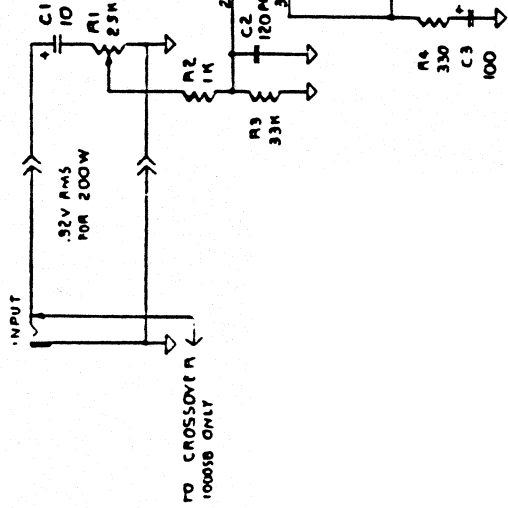
- 1 - WHITE
- 2 - BLUE
- 3 - BLACK
- 4 - ORANGE
- 5 - RED
- 6 - GREEN

6	GALLIEN - KRUEGER
R.A.G.	210/212G POWER AMP
	60015

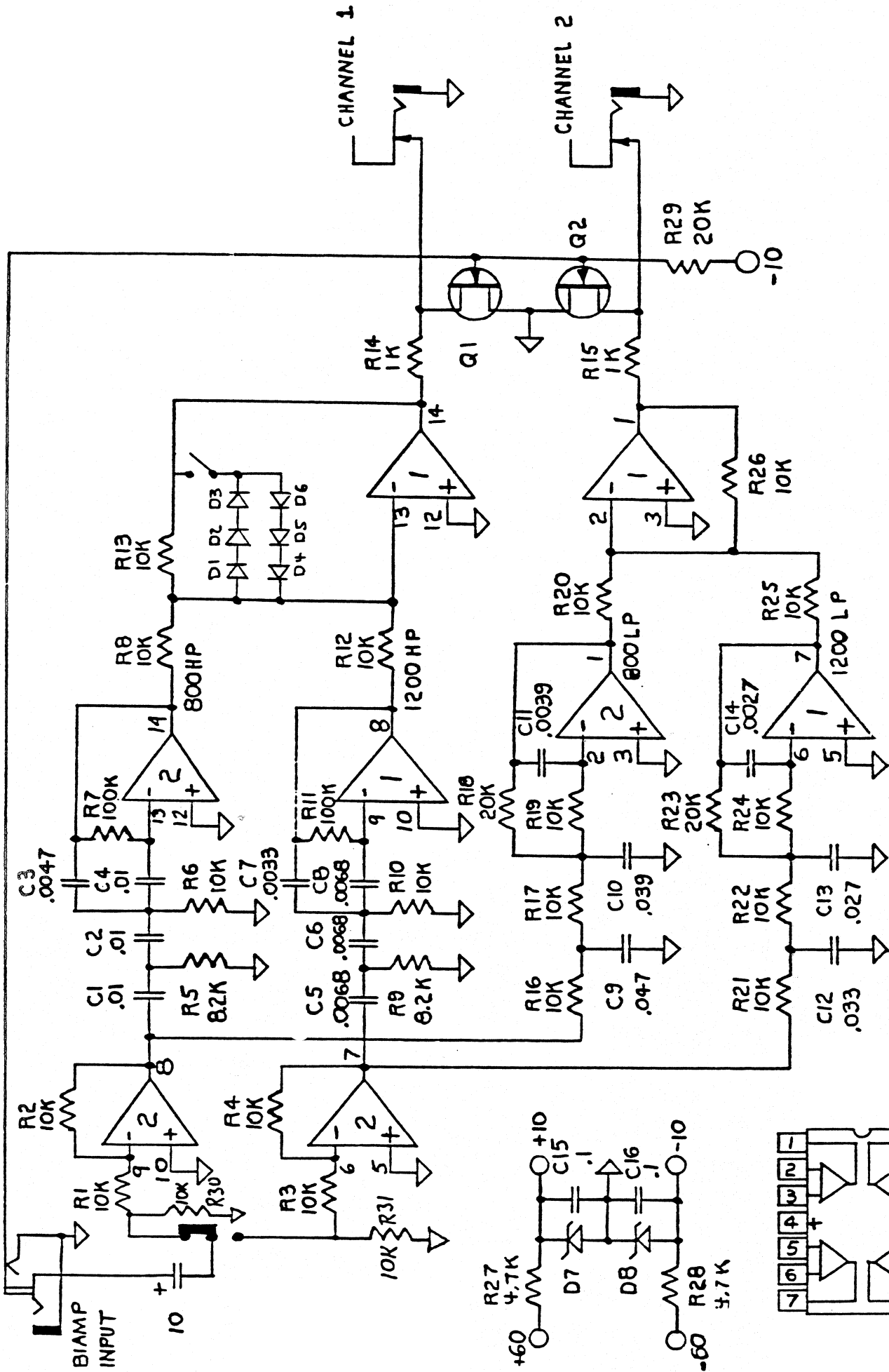
POWER AMP ONE CHANNEL ONLY



* ADJUST R45 TO SET
25mV - 5mV FROM
Q1E TO Q1E.
OUTPUT OFFSET
LESS THAN 10mV

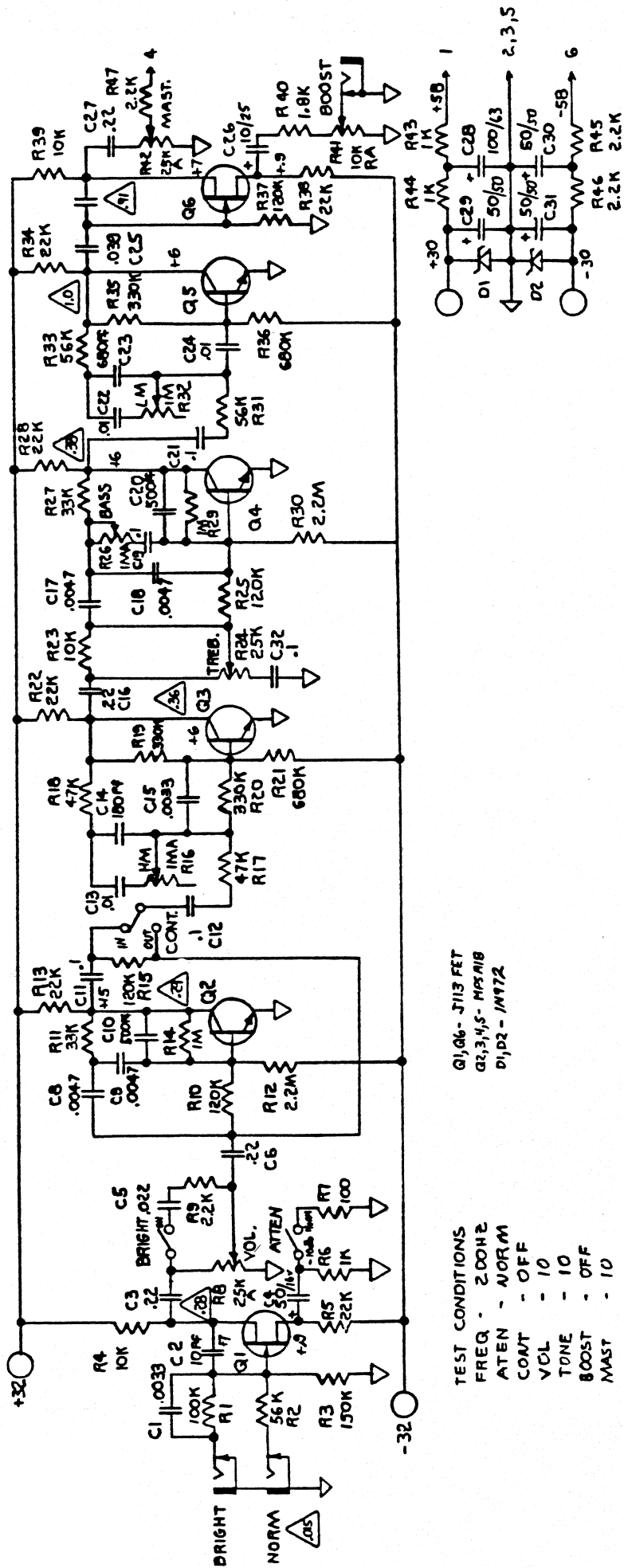


DESIGNED BY	REVISED	DATE	SCALE	FIG. NO.	CHANGE NO.
ROB GALLIEN				60017	
CHANGED BY					
1000S/58					
POWER AMP					
GMI					
GALLIEN-ROSEN					



IC 1,2 - LM348
 D7,8 - 1N758A
 Q1,2 - J113
 D1,2,3,4,5,6 - 1N4002

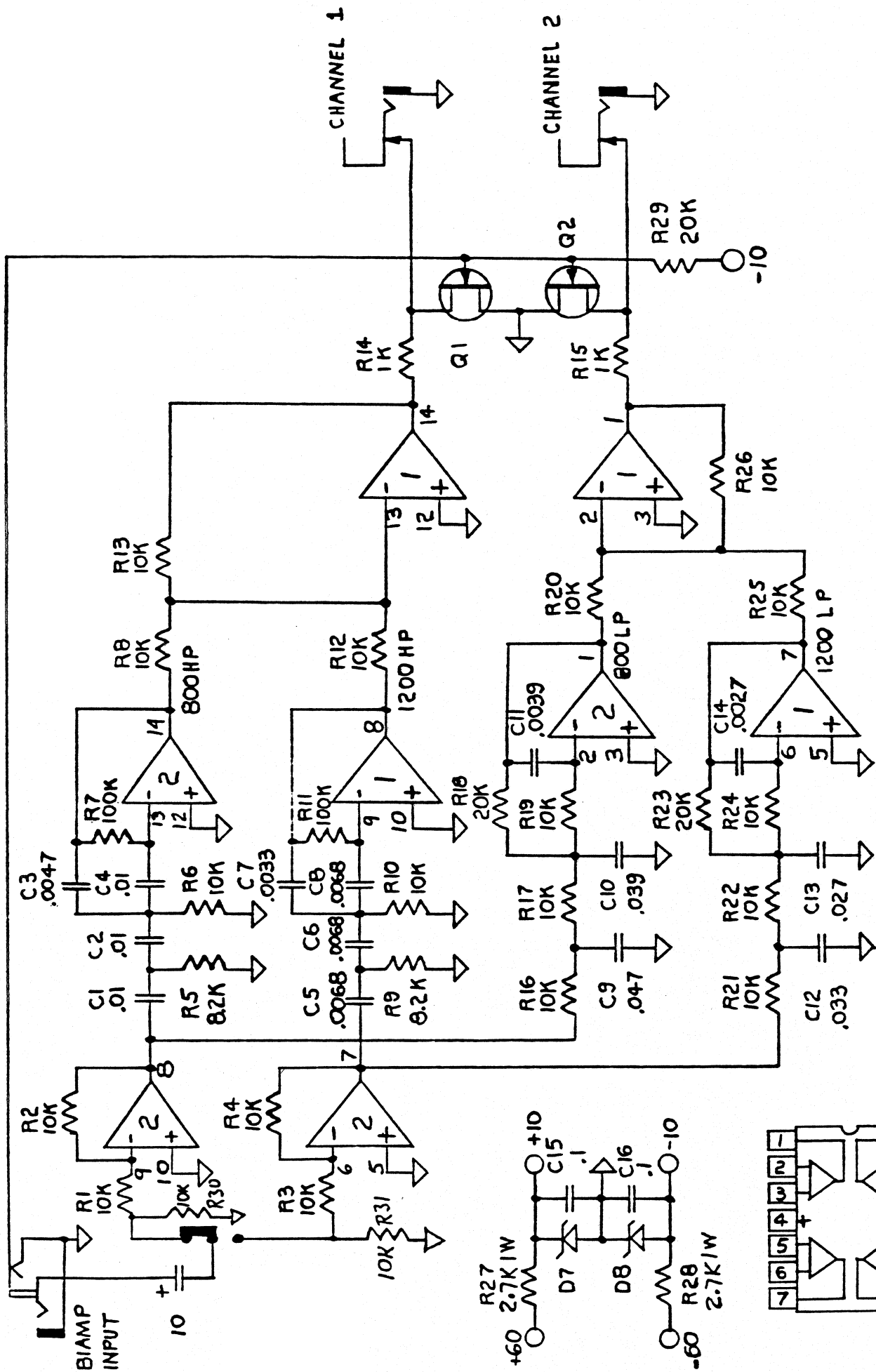
GALLIEN-KRUEGER	
ELECTRONIC CROSSOVER	
1000SB	60018A



Q1, Q6 - J113 FET
 Q2, 3, 4, 5 - MFS A18
 D1, D2 - 1N972

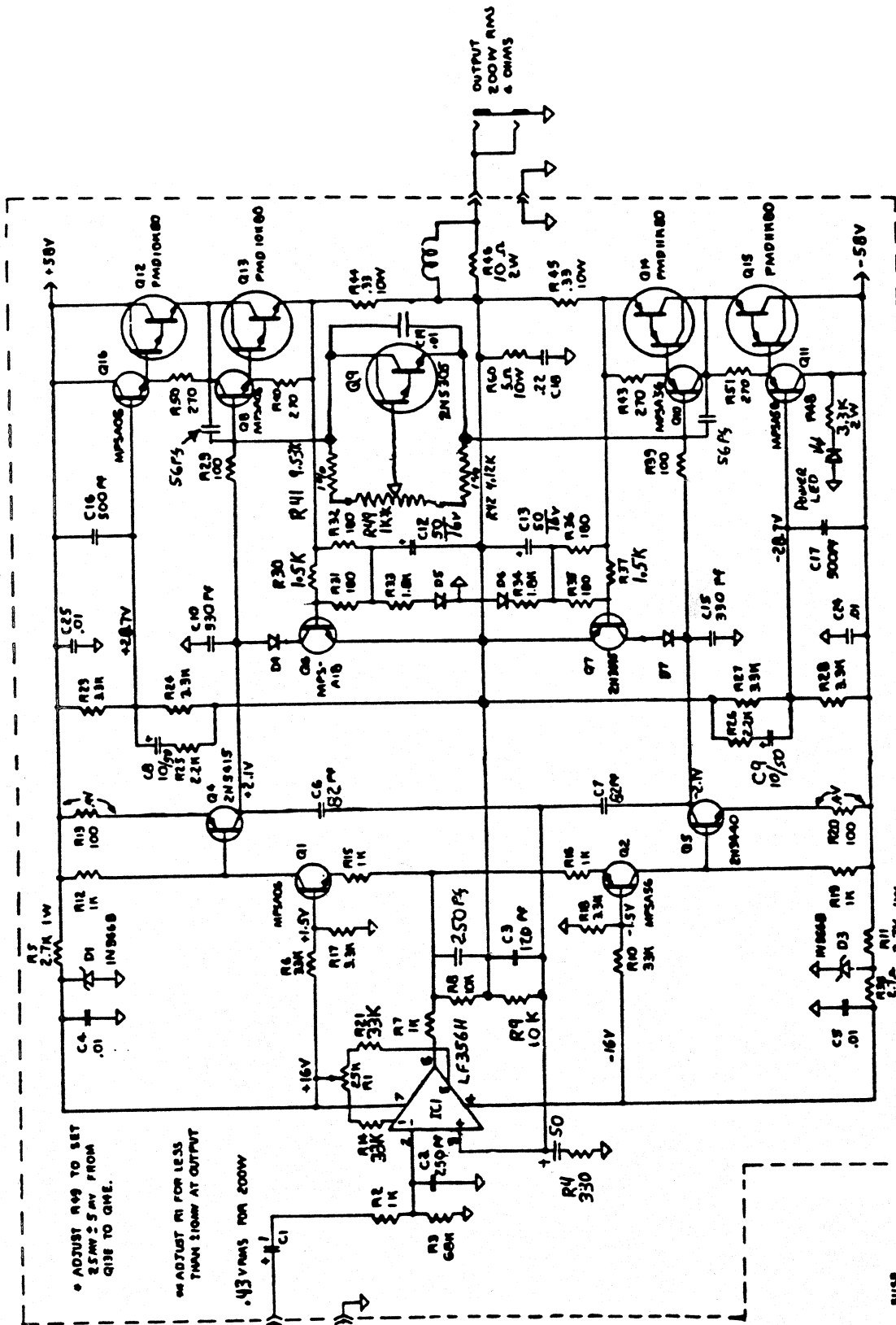
TEST CONDITIONS
 FREQ - 2.00K \pm
 ATEN - NORM
 CONT - OFF
 VOL - 10
 TONE - 10
 BOOST - OFF
 MAST - 10

GALLIEN-KRUEGER	60019A
R.A.G.	400B PREAMP
SN-6629	



IC 1,2 - LM348
 D7,8 - 1N758A
 Q1,2 - J113

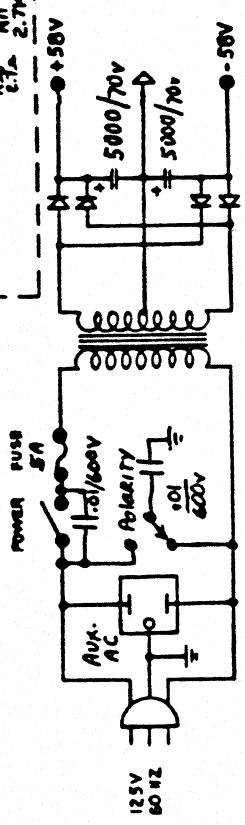
GALLIEN-KRUEGER	10005B	60020B
ELECTRONIC CROSSOVER		



• ADJUST R49 TO SET 2.5mV RMS FROM Q18 TO GME.

• ADJUST R1 FOR LESS THAN 2% THD AT OUTPUT

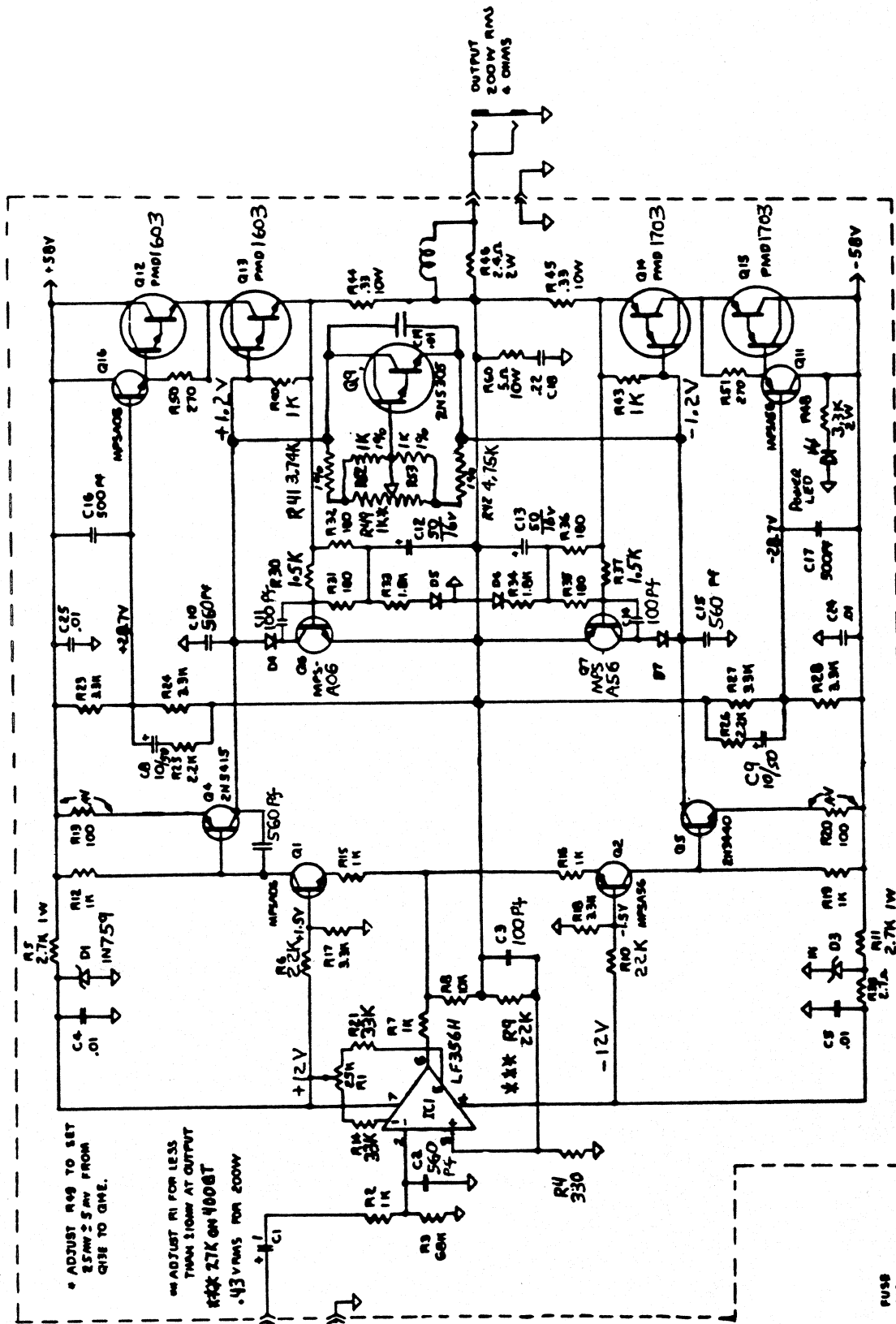
• 13V RMS FOR 200W



DESIGNED BY	BOB GALLIEN	DATE	
DESIGNED BY	BOB GALLIEN	DATE	
PROJECT NO.	4000B	REV.	
PROJECT NO.	50019B	REV.	
PROJECT NO.	60024	REV.	

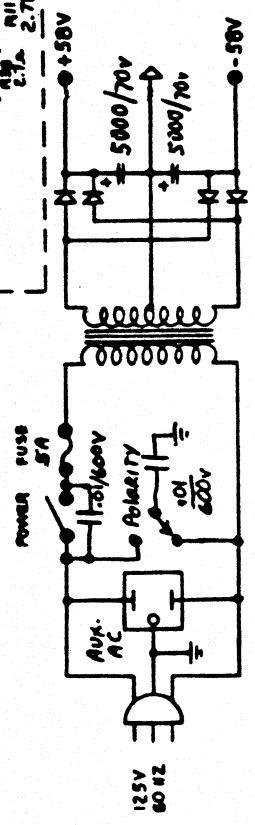
VERY EARLY



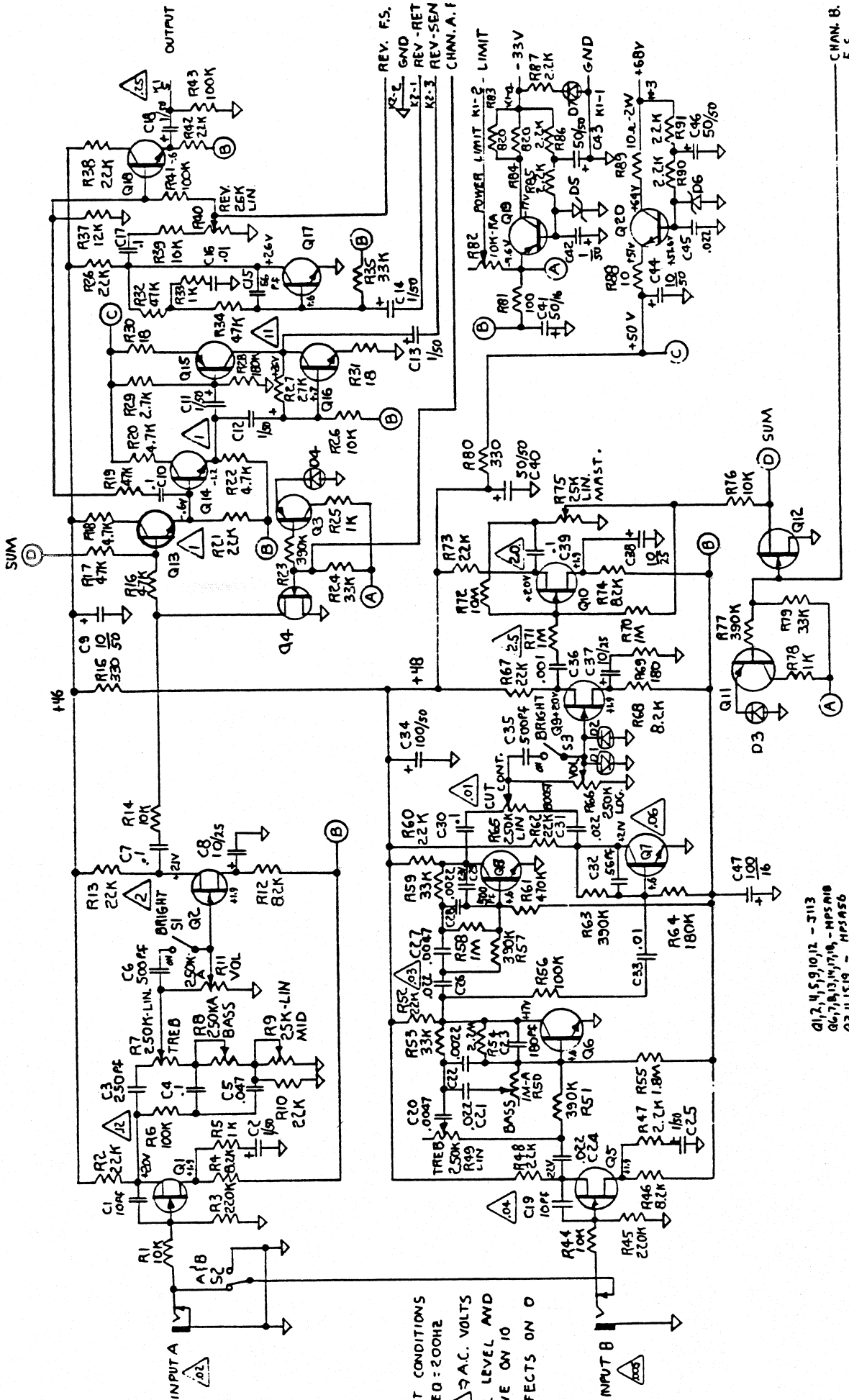


* ADJUST R49 TO SET
25mA ± 5mA FROM
G15E TO G15E.

** ADJUST R1 FOR LESS
THAN 150mV AT OUTPUT
R49 27K ON 400BT
.43 vRMS FOR 200W



DESIGNED BY	BOB GALLIEN	DATE	
CHECKED BY	BOB GALLIEN	DATE	
PROJECT NO.	60024	REV.	LATE
SERIAL 9932		POWER AMP	
400B, 400GT		NONE	
GMI			

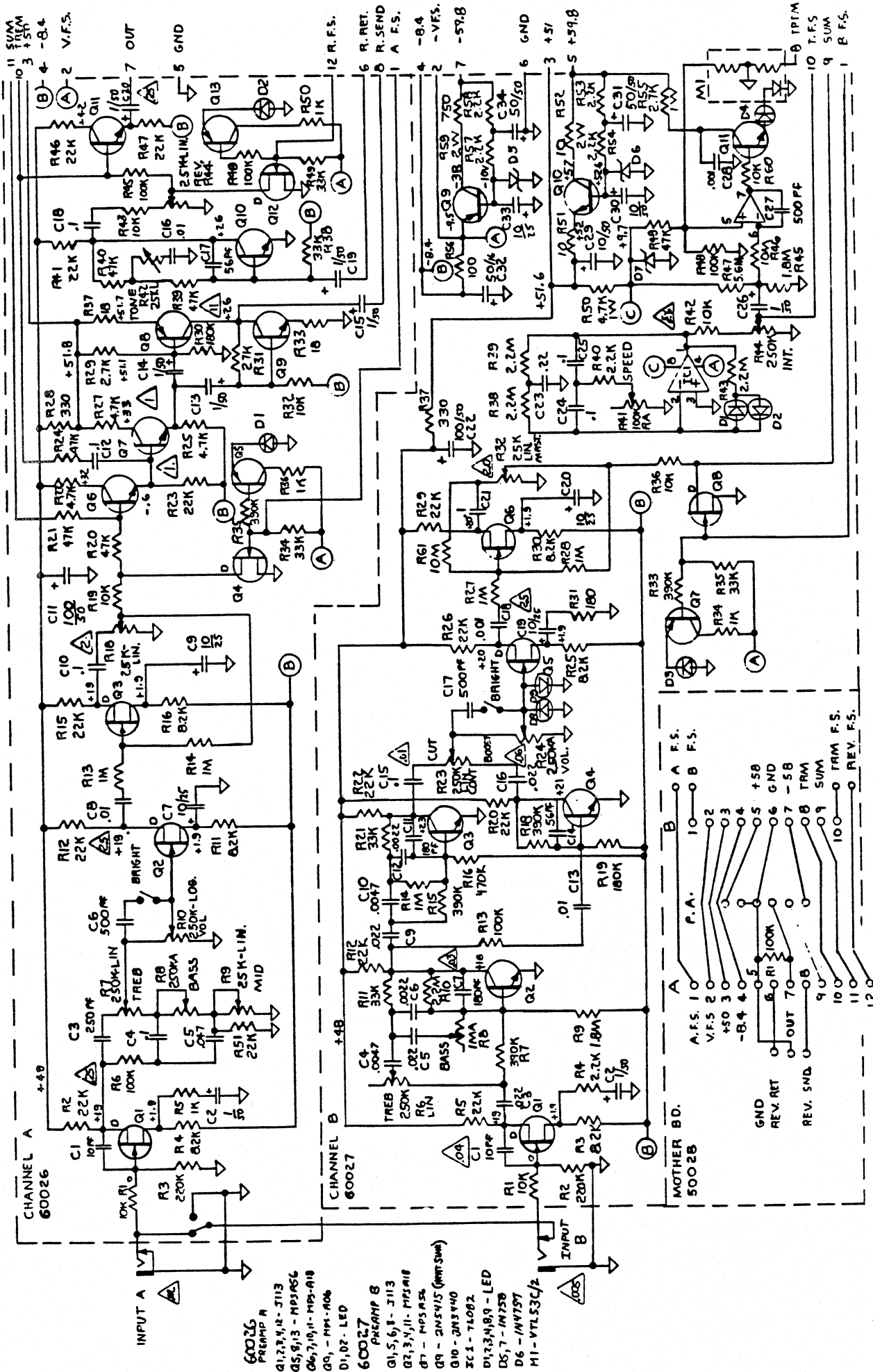


TEST CONDITIONS
 FREQ = 200HZ
 A.C. VOLTS
 ALL LEVEL AND
 TONE ON IO
 EFFECTS ON O

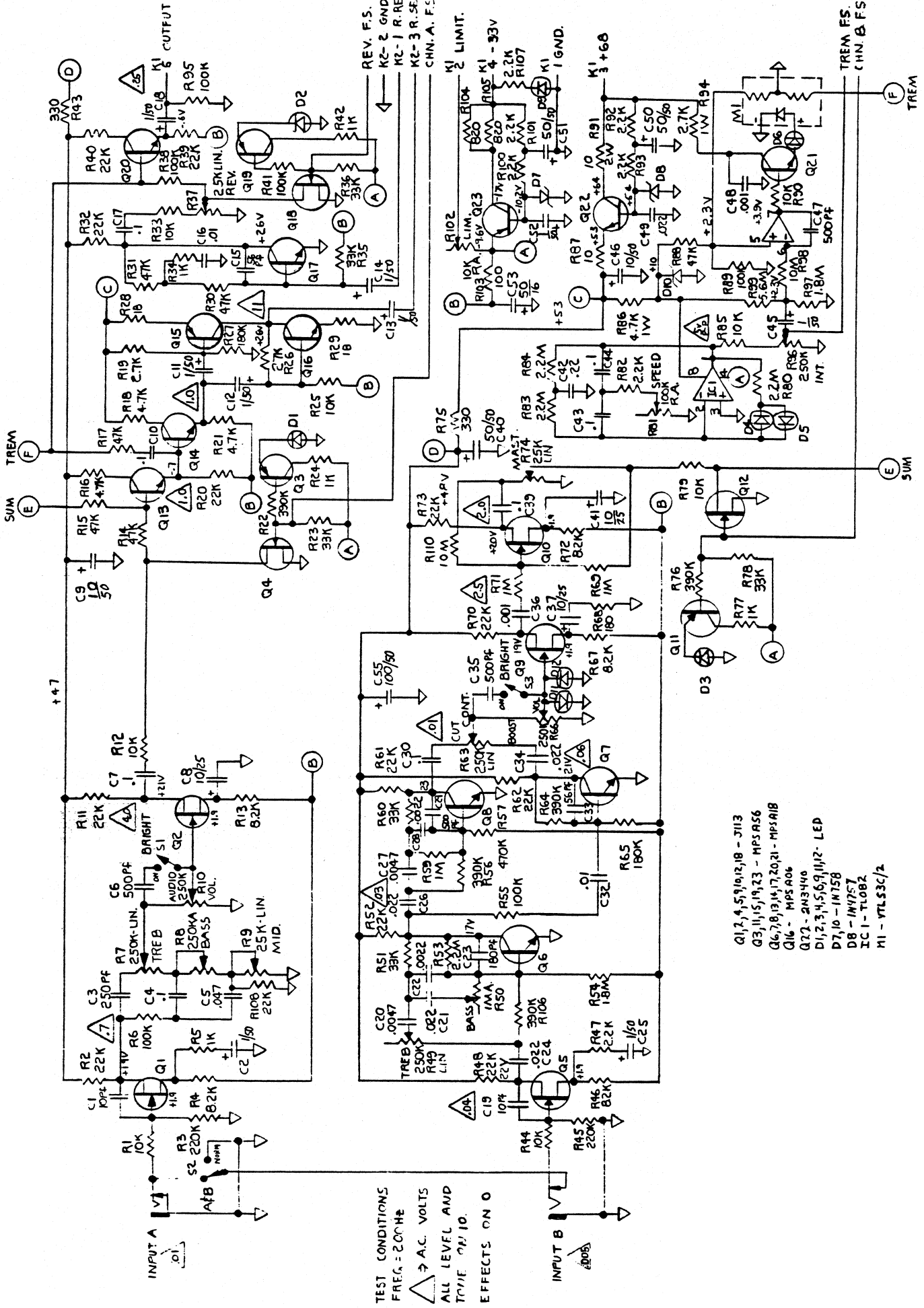
- Q1,2,4,5,9,10,12 - 3113
- Q6,7,8,13,14,17,18 - MPS18B
- Q3,11,15,19 - MPS15C
- Q14 - MPS1006
- Q10 - 2N2440
- D1,2,3,4,7 - LED
- DS - 1N758
- D6 - 1N4757

CHAN. B.
 F.S.

9-23-79	GALLIEN-KRUEGER
R.A.G.	210G PREAMP
	60025A



823-77	GALLIEN-KRUEGER
60026	400GT PREAMP
60027	60027
	60028



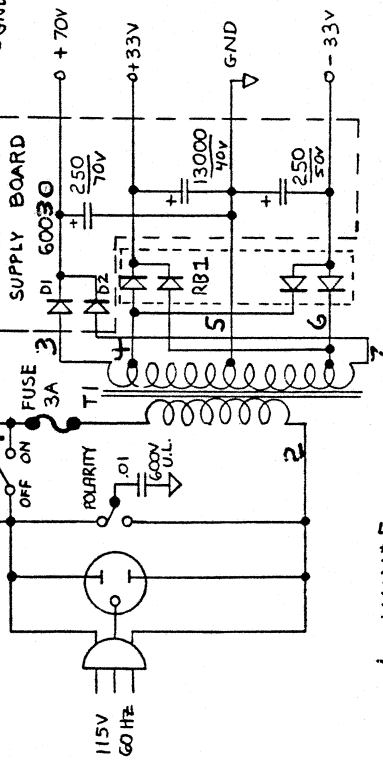
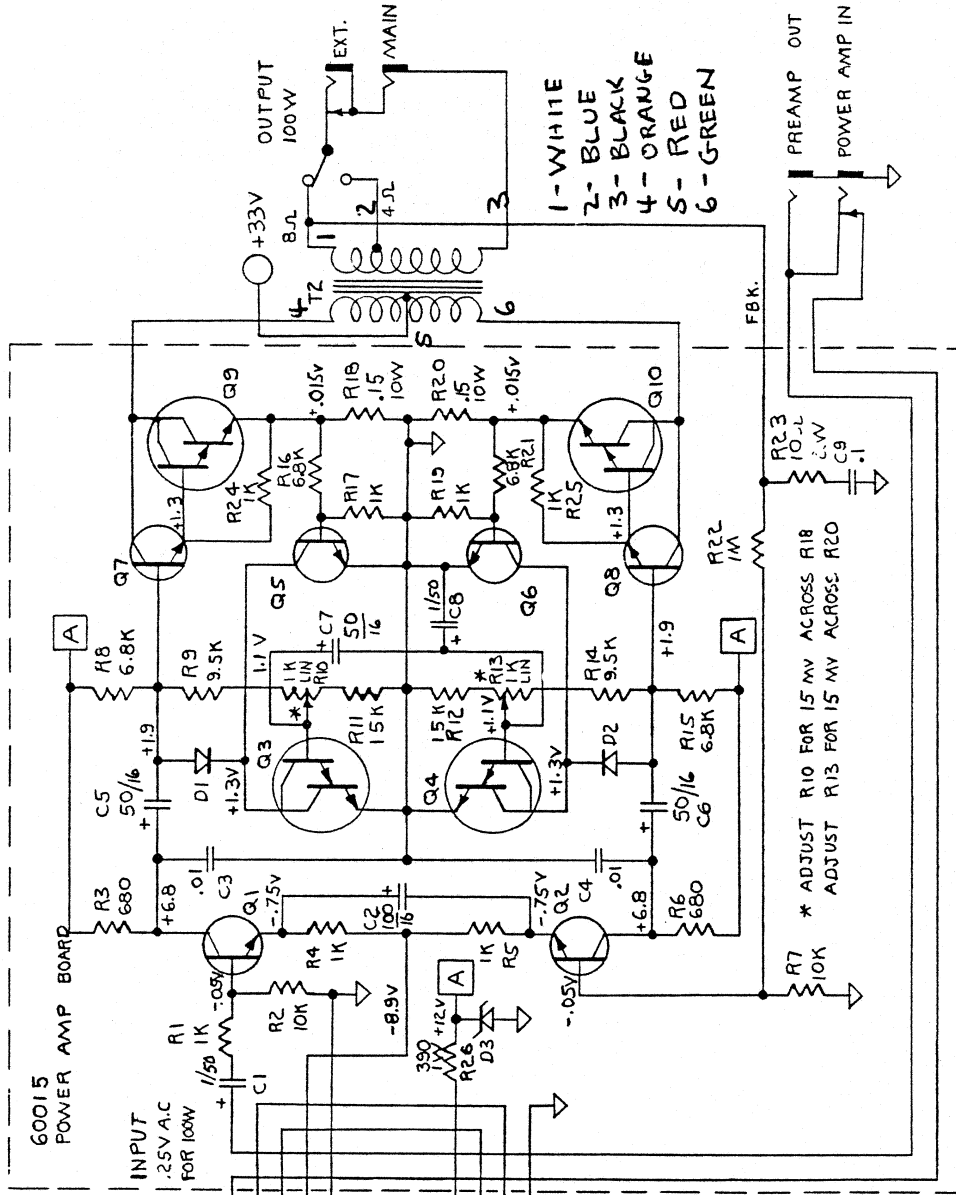
TEST CONDITIONS
 FREQ. = 200 Hz
 → A.C. VOLTS
 ALL LEVEL AND
 TONE ON 10.
 EFFECTS ON 0

- Q1,2,4,5,9,10,12,18 - 3113
- Q3,11,15,19,23 - MPS A56
- Q6,7,8,13,17,20,21 - MPS A18
- Q16 - MPS A06
- Q22 - 2N3440
- D1,2,3,4,5,6,9,11,12 - LED
- D7,10 - 1N758
- D8 - 1N4757
- IC1 - TL082
- M1 - VTL53C/2

9-6-77	GALLIEN - KRUEGER
	R. A. GALLIEN 212G PREAMP
	60029A

POWER AMP AND
POWER SUPPLY 210/212G

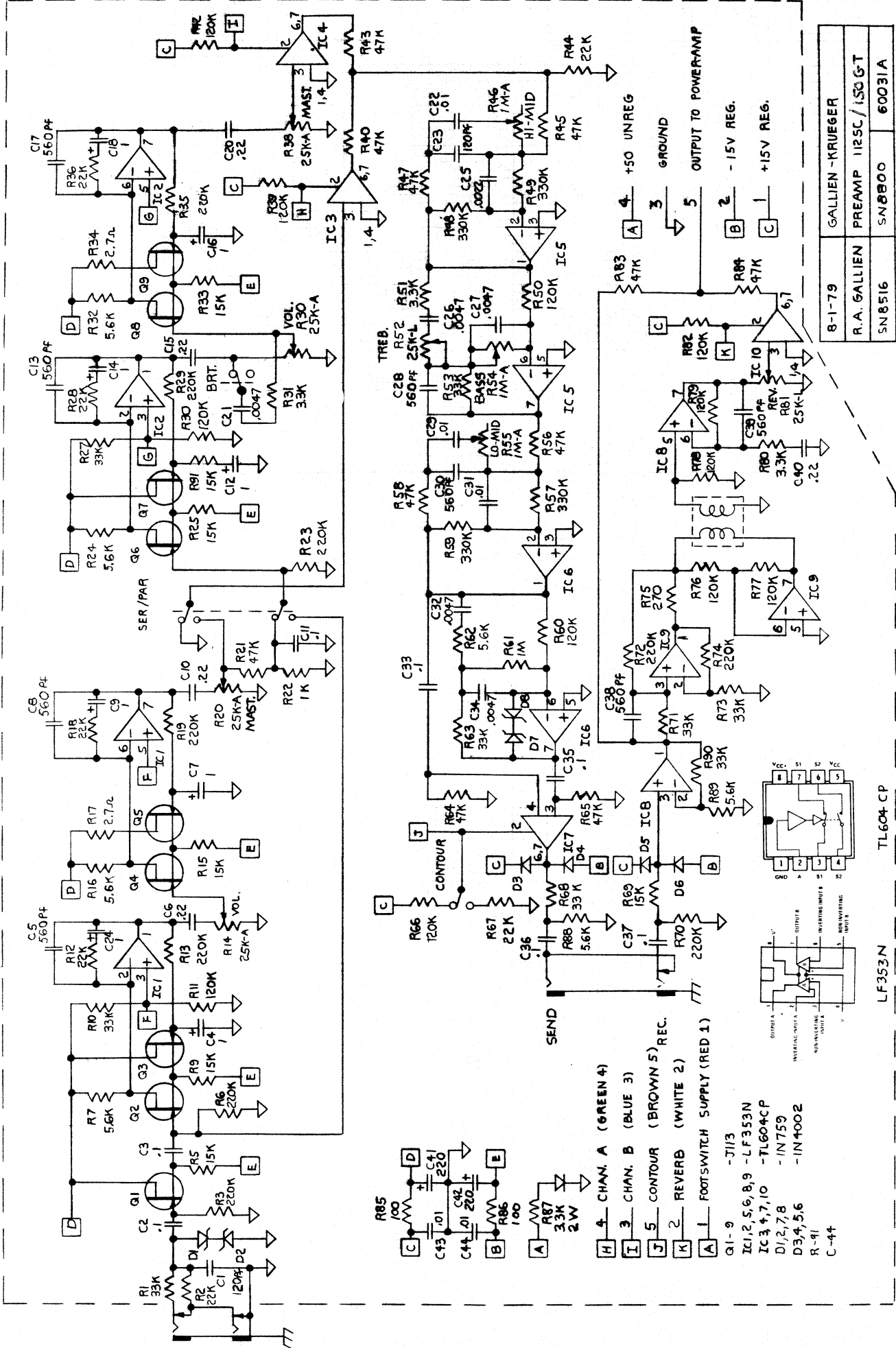
- Q1,2,5,6 - MPSA18
- Q3,4 - 2N5305
- Q7,8 - MPS A06
- Q9,10 - P4D 10K80
- D1,2 - 1N4002
- D3 - 1N757
- RB1 - K8H2502



- 1 - WHITE
- 2 - WHITE
- 3 - BLUE
- 4 - BLACK
- 5 - RED/WHITE
- 6 - BLACK
- 7 - BLUE

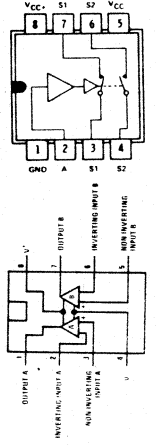
60015	60030
R.A.G.	210/212G
	SUPPLY BD.
	60030

GALLIEN - KRUEGER



- R85 100
- C43 .01
- C44 .01
- B
- A
- H
- I
- J
- K
- A
- Q1-9
- IC1,2,5,6,8,9
- IC3,4,7,10
- D1,2,7,8
- D3,4,5,6
- R-91
- C-44

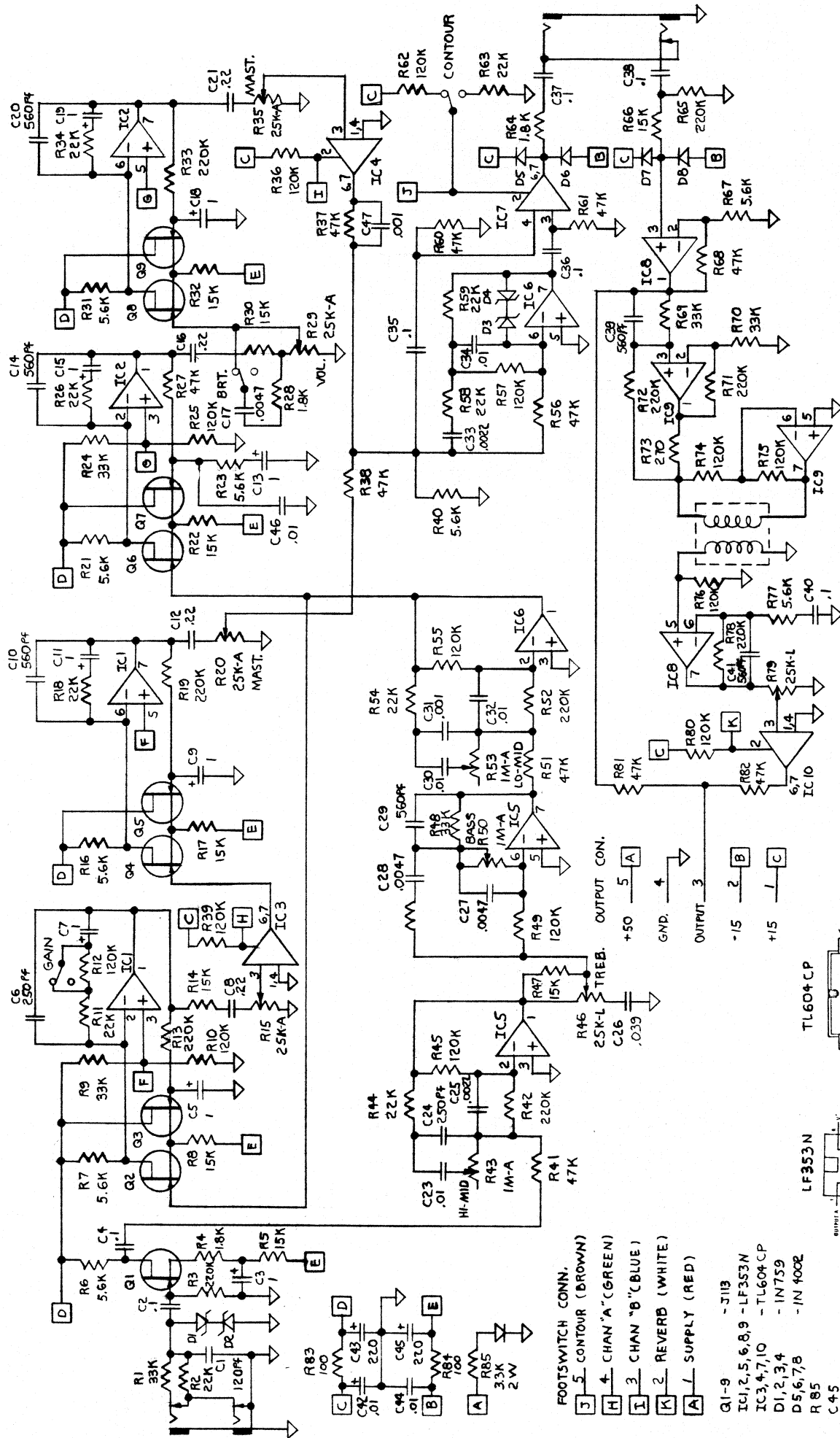
- 4 CHAN. A (GREEN 4)
- 3 CHAN. B (BLUE 3)
- 5 CONTOUR (BROWN 5) REC.
- 2 REVERB (WHITE 2)
- 1 FOOT SWITCH SUPPLY (RED 1)
- J1/3
- LF353N
- TL604CP
- IN759
- IN4002



LF353N

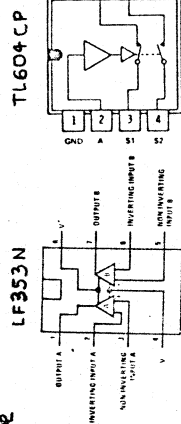
TL604-CP

8-1-79	GALLIEN-KRUEGER
R.A. GALLIEN	PREAMP 1125C / 150G-T
SN8516	SN8800
	60031A

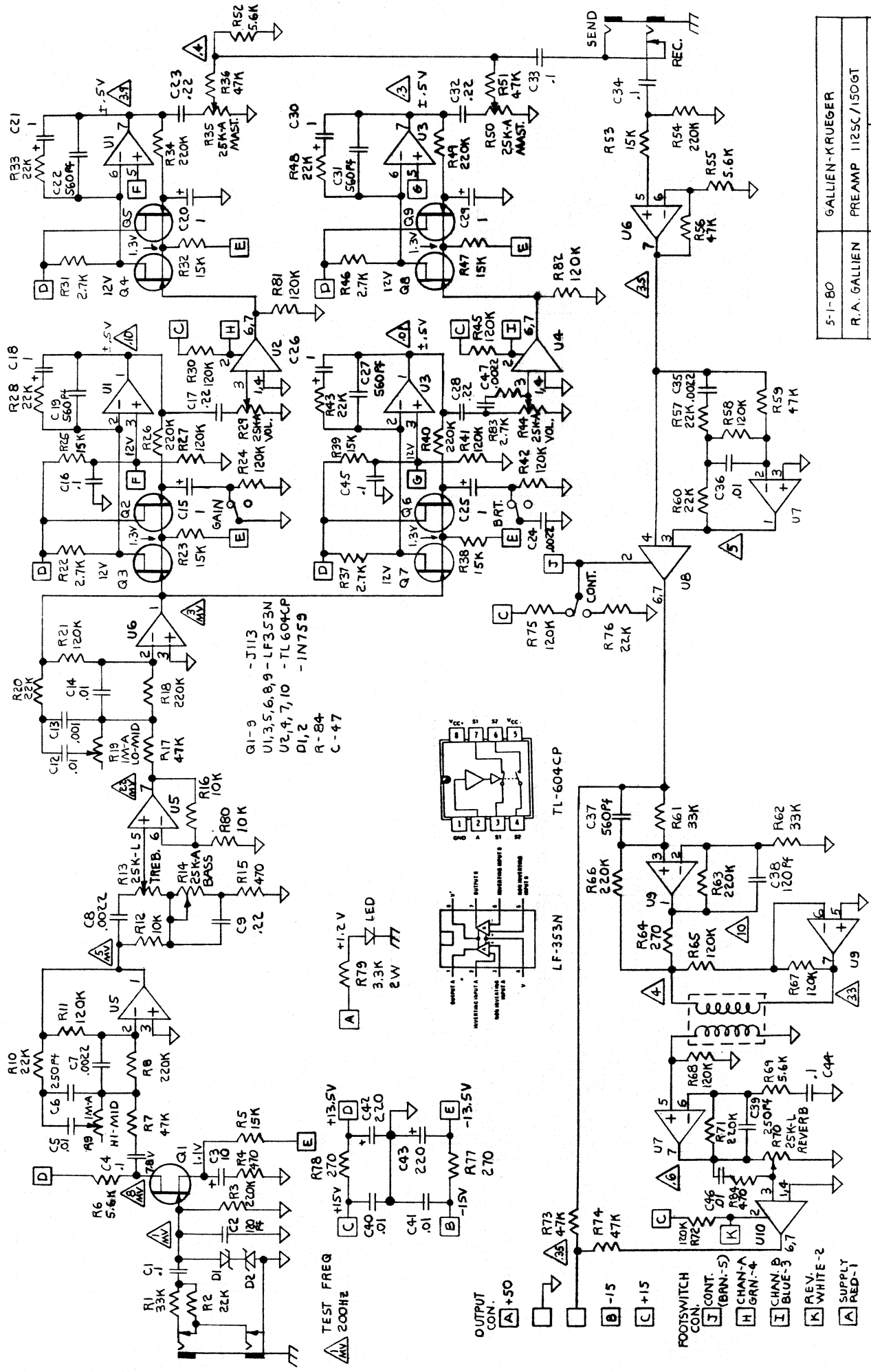


- FOOTSWITCH CONN.
 J 5 CONTOUR (BROWN)
 H 4 CHAN "A" (GREEN)
 I 3 CHAN "B" (BLUE)
 K 2 REVERB (WHITE)
 A 1 SUPPLY (RED)

- G1-9 -J1B
 IC1,2,5,6,8,9 -LF353N
 IC3,4,7,10 -TL604CP
 D1,2,3,4 -IN759
 D5,6,7,8 -IN 4002
 R 85
 C 45



1-12-80	GALLIEN-KRUEGER
R. A. GALLIEN	PREAMP 112 SC/150GT
5N 8821	5N 89 2.0 60031B



- G1-9 - J113
- U1,3,5,6,8,9 - LF353N
- U2,4,7,10 - TL604CP
- D1,2 - 1N759
- R - 84
- C - 47

5-1-80	GALLIEN-KRUEGER
R.A. GALLIEN	PREAMP 1125C/150GT
SN9126	5N
	60031C

TEST FREQ
200HZ

OUTPUT CON.
A +50

FOOTSWITCH CON.
J (CONT.)
K (BARN.-5)
H CHAN.-A
I GRN.-4
L CHAN.-B
M BLUE-3
N WHITE-2
O SUPPLY
P RED-1