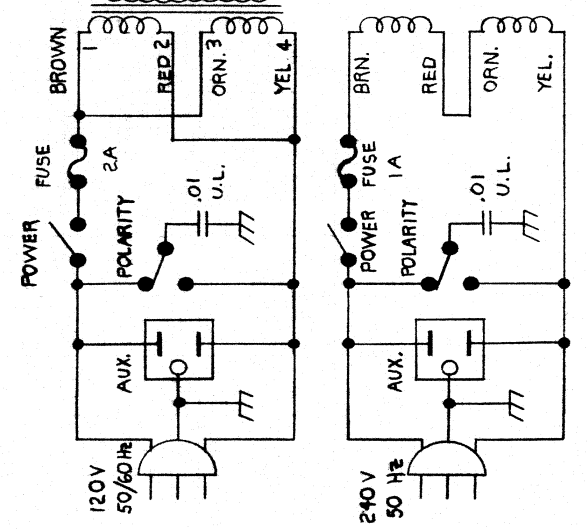
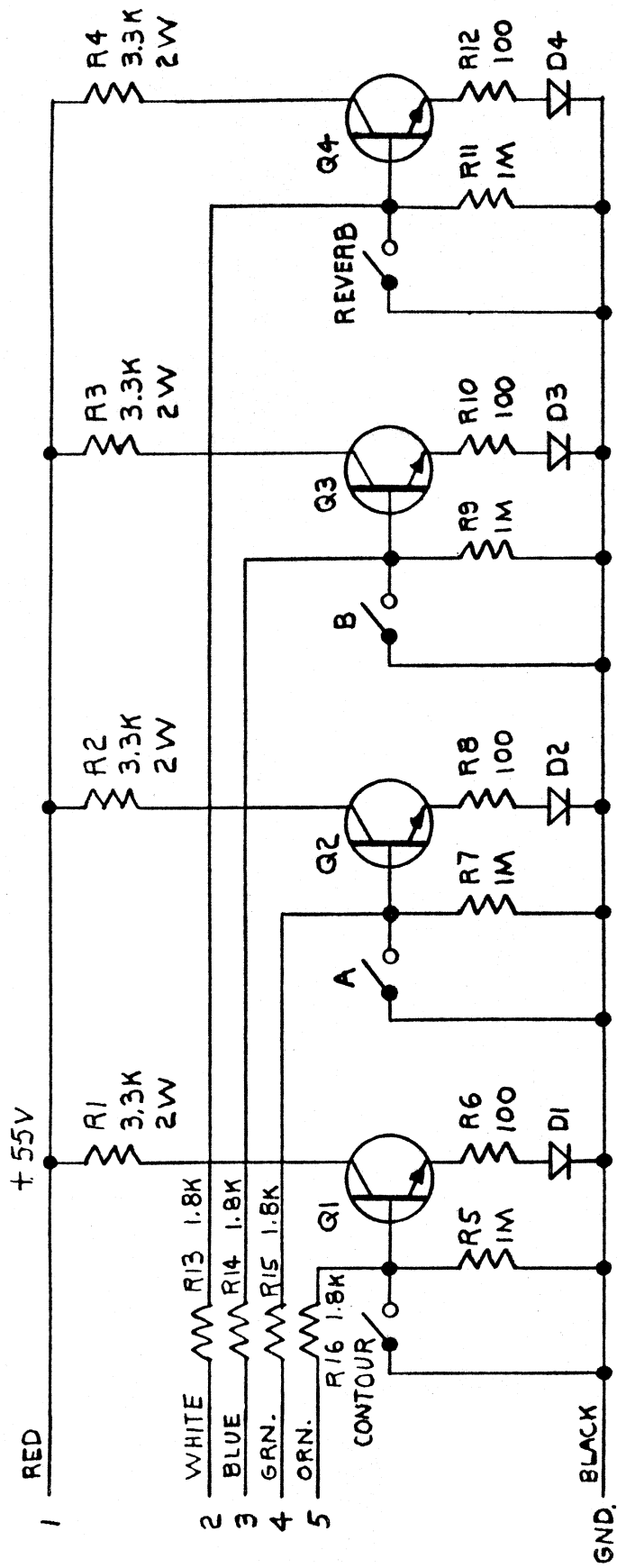


- BIAS PROCEDURE**
- 1) ADJUST BAL. (R6) FOR SYMMETRICAL CLIP AT 2KHZ.
 - 2) ADJUST OFFSET (R2) FOR 0 ± 10MV AT OUTPUT.
 - 3) ADJUST BIAS (R31) FOR TOTAL OF 10MV ACROSS R32+R37.

Q1, 2	-PN4117
Q3, 6	-MPS-A18
Q4, 13	-MPS-A06
Q5, 10	-MJE-15031
Q7, 14	-MJE-A56
Q8	-MJE-15030
Q9	-M3-15001
Q11	-MJ-15002
Q12, 15	-TIP-31B
U1	-LF351N
U2	-UA78M15CKF
U3	-UA79M15CKF
U4	-VH248
D1, 2, 3	-IN4002
D4, 5	-IN968
F1	-275-125
R43	
C17	

8-15-79	GALLIEN-KRUEGER
R.A. GALLIEN	POWER AMP 112 56/1506T
SN B516	60032A

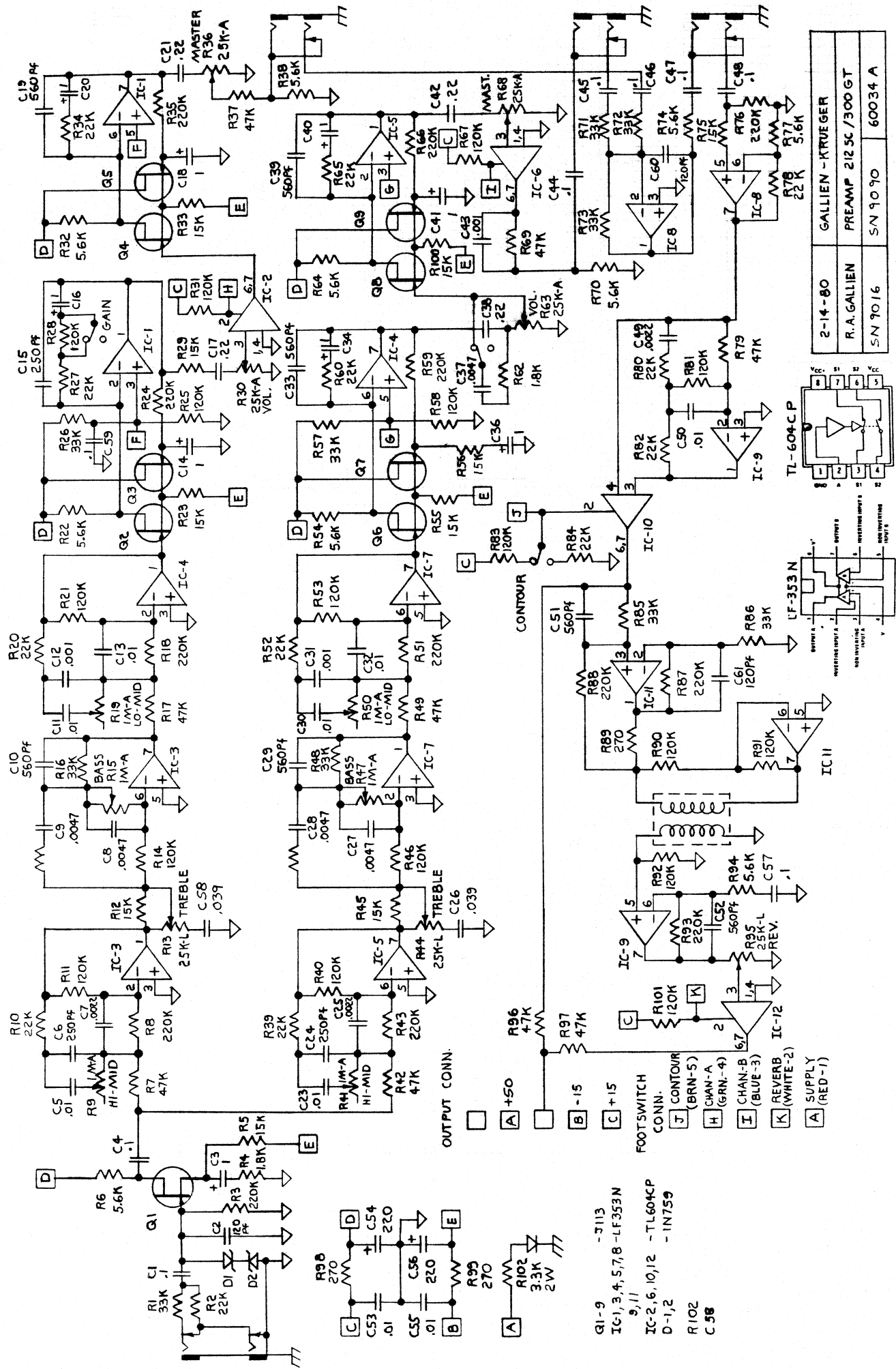




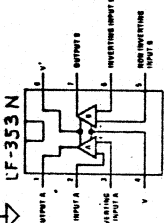
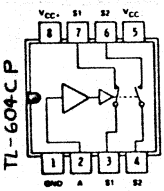
Q1,2,3,4 - MPS-A06

D1,2,3,4 - 521-9216

9-6-79	GALLIEN-KRUEGER
R.A. GALLIEN	INDICATOR FOOTSWITCH
SN 8516	- 60033



2-14-80	GALLIEN - KRUEGER
R.A. GALLIEN	PREAMP 2123C / 300GT
SN 9016	SN 9090
	60034 A



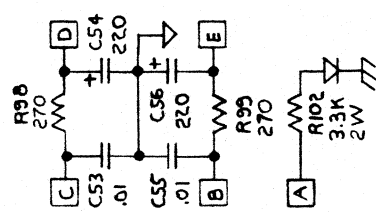
OUTPUT CONN.

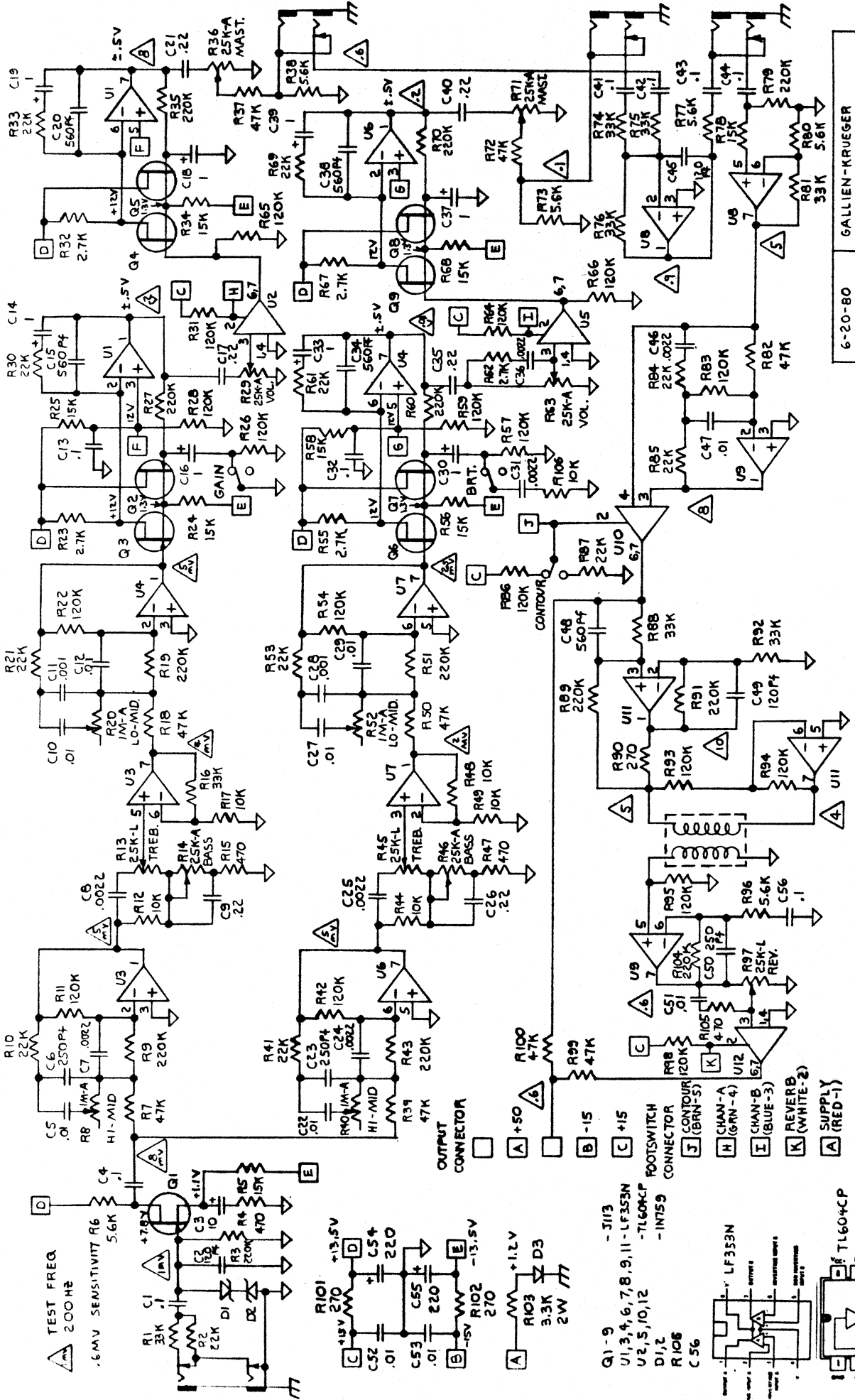
- A +50
- B -15
- C +15

FOOTSWITCH CONN.

- J CONTOUR (BRN-5)
- H CHAN-A (GRN-4)
- I CHAN-B (BLUE-3)
- K REVERB (WHITE-2)
- A SUPPLY (RED-1)

- Q1-9 - 3113
- IC-1,3,4,5,7,8 - LF353N
- 9,11
- IC-2,6,10,12 - TL604C-P
- D-1,2
- R102
- C58

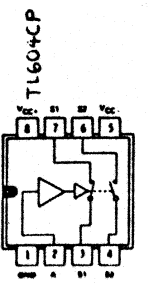
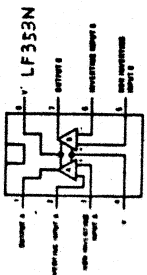


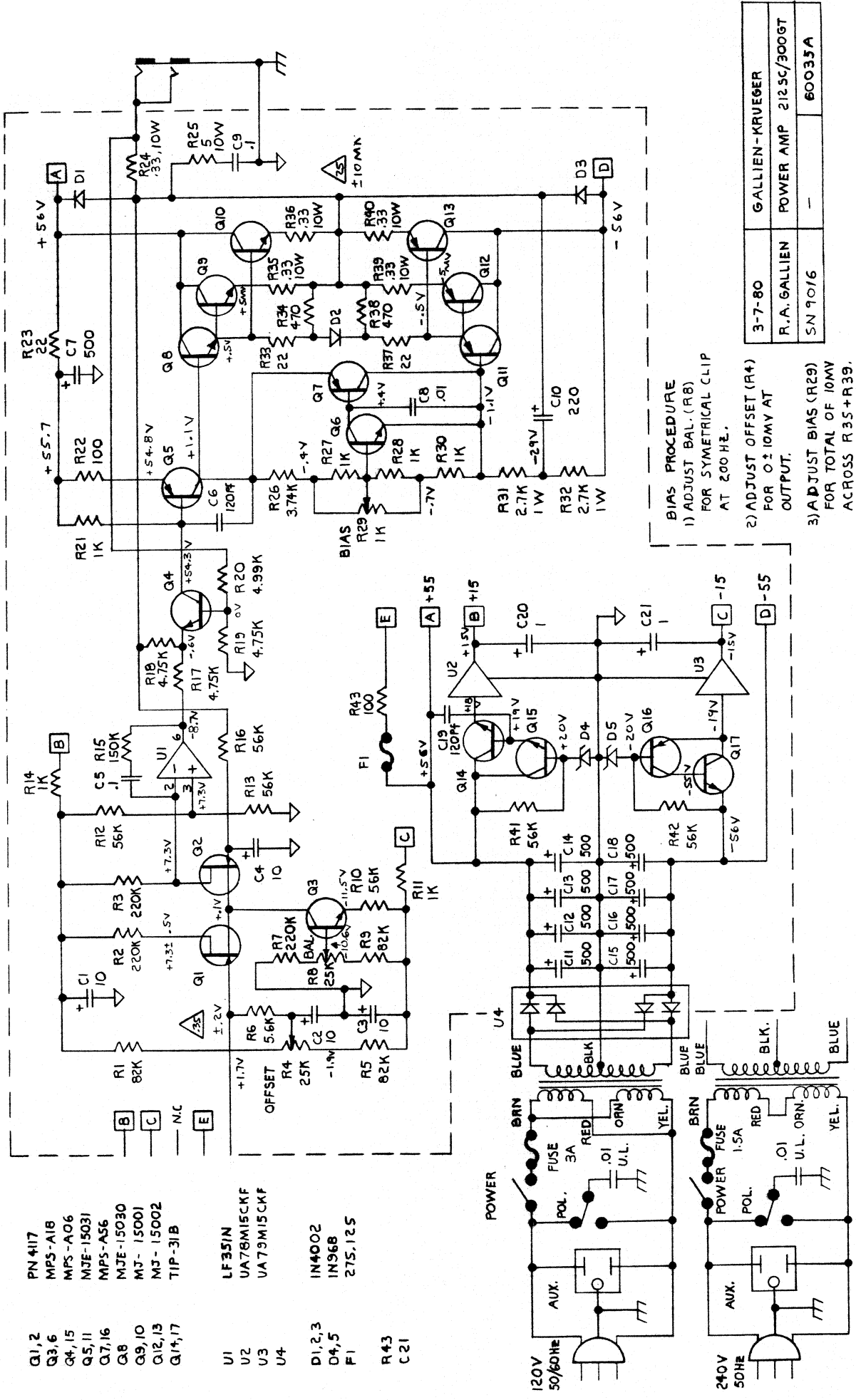


6-20-80	GALLIEN-KRUEGER
R.A. GALLIEN	PREAMP 2125C/3006T
SN 9186	SN - 60034B

- OUTPUT CONNECTOR
- A +50
- B -15
- C +15
- FOOTSWITCH
- CONNECTOR
- J (BRN-5)
- H CHAN-A (GRN-4)
- I CHAN-B (BLUE-3)
- K REVERB (WHITE-2)
- A SUPPLY (RED-1)

- J113
- U1,3,4,6,7,8,9,11-LF35N
- TL604CP
- D1,2
- INT59
- R106
- C56





- Q1,2 PN 4117
- Q3,6 MPS-A18
- Q4,15 MPS-A06
- Q5,11 MJE-15031
- Q7,16 MPS-A56
- Q8 MJE-15030
- Q9,10 MJ-15001
- Q12,13 MJ-15002
- Q14,17 TIP-31B

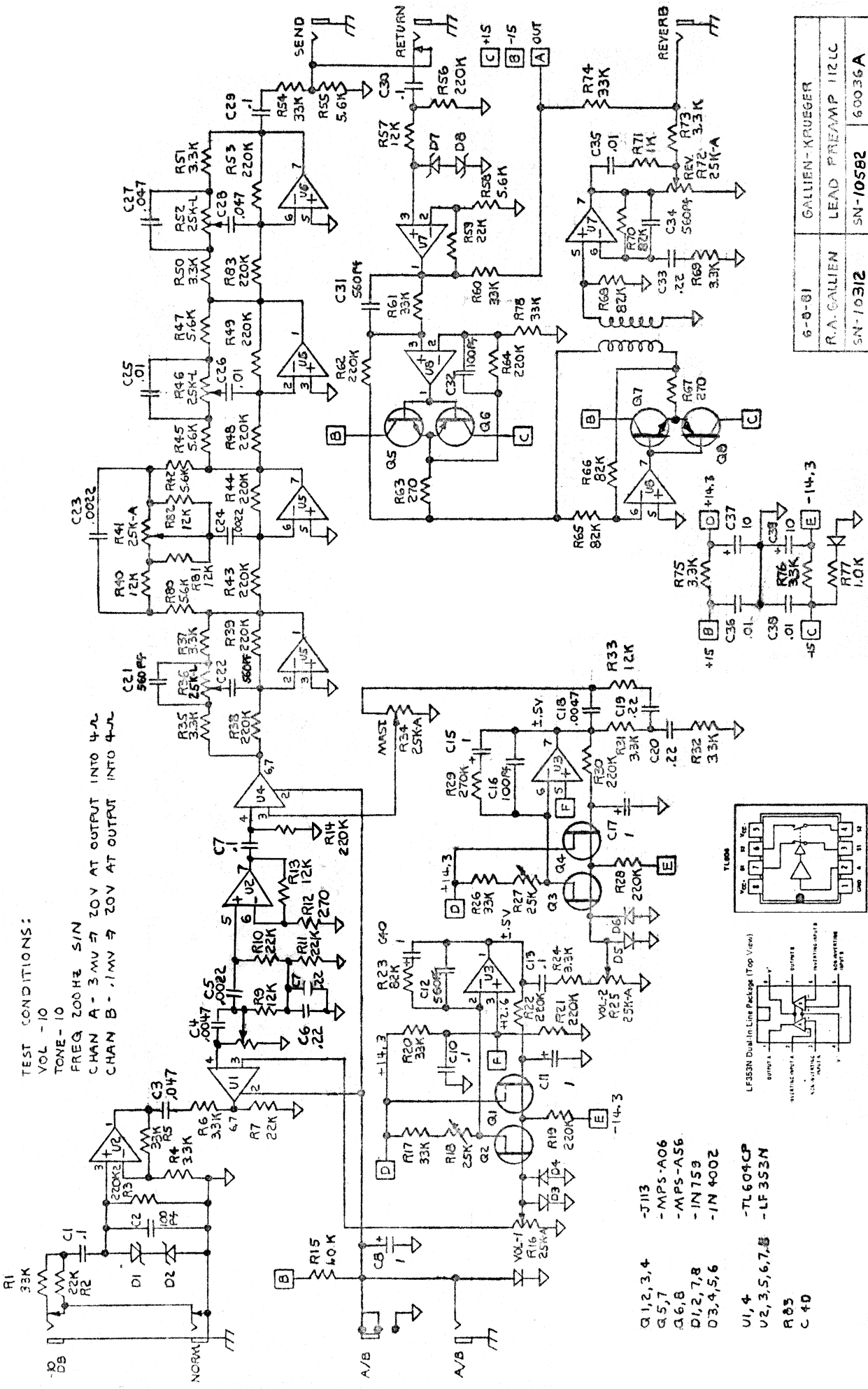
- U1 LF351N
- U2 UA76M15CKF
- U3 UA79M15CKF
- U4

- D1,2,3 IN4002
- D4,5 IN968
- F1 275.125

- R43
- C21

BIAS PROCEDURE
 1) ADJUST BAL. (R8) FOR SYMMETRICAL CLIP AT 200 HZ.
 2) ADJUST OFFSET (R4) FOR TOTAL OF 10MV ACROSS R35 + R39.
 3) ADJUST BIAS (R29) FOR TOTAL OF 10MV ACROSS R35 + R39. R36 + R40 ALSO = 10MV.

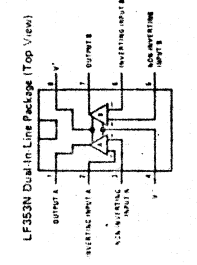
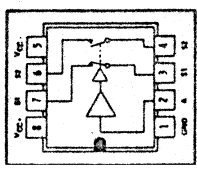
3-7-80	GALLIEN-KRUEGER
R.A. GALLIEN	POWER AMP 212.5C/300GT
SN 9016	60035A



TEST CONDITIONS:

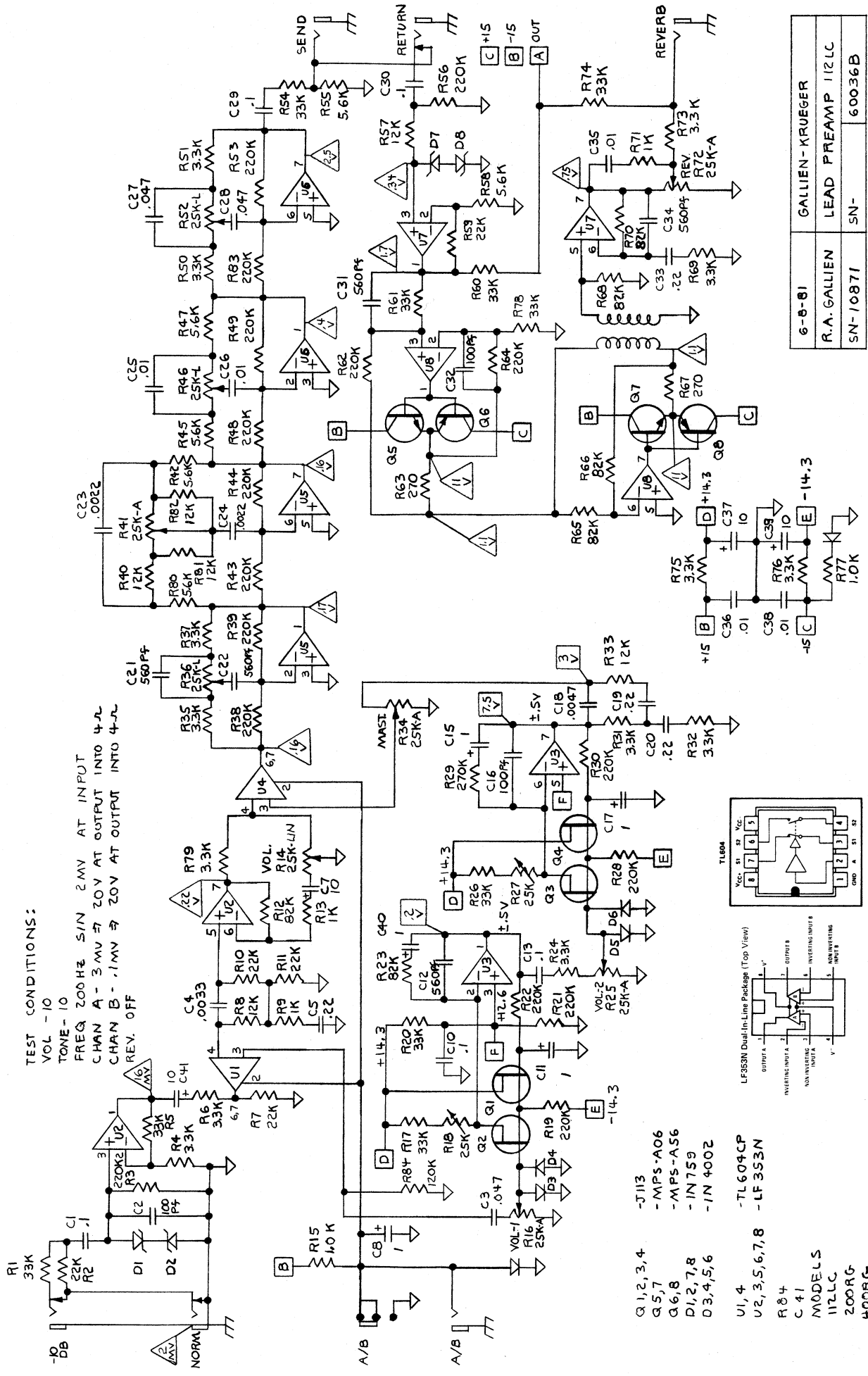
- VOL -10
- TONE -10
- FREQ 200HZ SIN
- CHAN A - 3 MV @ 20V AT OUTPUT INTO 4Ω
- CHAN B - 1MV @ 20V AT OUTPUT INTO 4Ω

- Q1,2,3,4 - J113
- Q5,7 - MPS-A06
- Q6,8 - MPS-A56
- D1,2,7,8 - 1N759
- D3,4,5,6 - 1N4002
- U1,4 - TL604CP
- U2,3,5,6,7,8 - LF353N
- R85 -
- C40 -



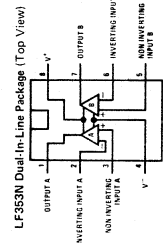
6-0-81	GALLIEN-KRUEGER
R.A. GALLIEN	LEAD PREAMP 112LC
SN-10312	SN-10582 60036A

20DRG

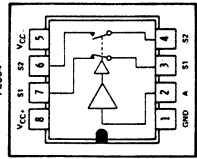


TEST CONDITIONS:
 VOL - 10
 TONE - 10
 FREQ 200HZ SIN 2MV AT INPUT
 CHAN A - 3 MV \approx 20V AT OUTPUT INTO 4- Ω
 CHAN B - .1MV \approx 20V AT OUTPUT INTO 4- Ω
 REV. OFF

- Q 1,2,3,4 - -J113
- Q 5,7 - -MPS-A06
- Q 6,8 - -MPS-A56
- D 1,2,7,8 - -IN 759
- D 3,4,5,6 - -IN 4002



LF353N Dual-In-Line Package (Top View)

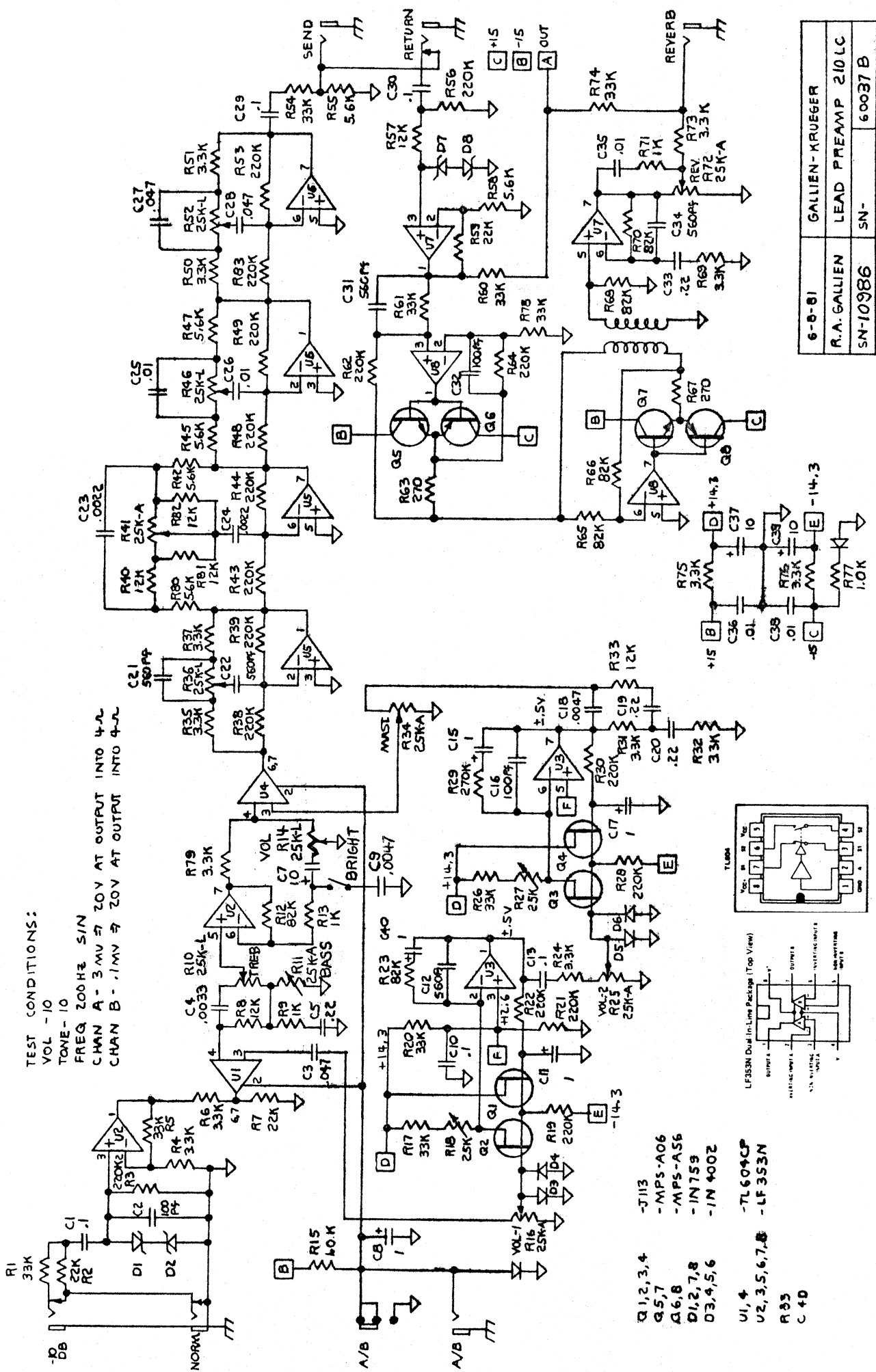


TL604

-TL604CP
 -LF353N

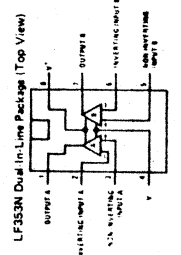
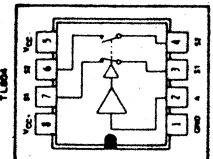
6-8-81	GALLIEN-KRUEGER
SN-10871	LEAD PREAMP 112LC
	SN-60036B

- V 1, 4
- V 2, 3, 5, 6, 7, 8
- R 8, 4
- C 4, 1
- MODELS
- 112LC
- 200RG
- 400RG

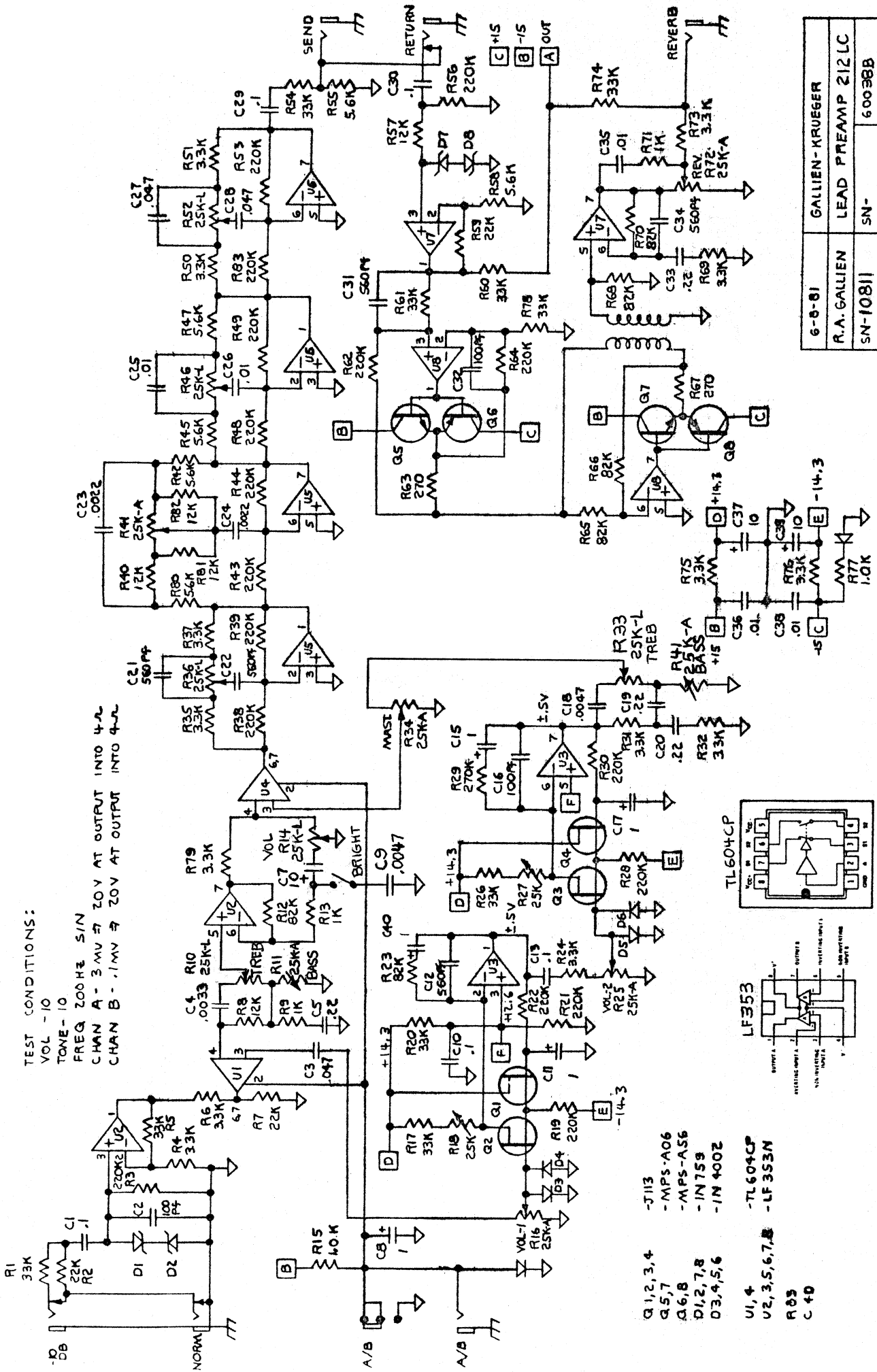


TEST CONDITIONS:
 VOL -10
 TONE -10
 FREQ 200KHz S/N
 CHAN A - 3 MV \Rightarrow 20V AT OUTPUT INTO 4- Ω
 CHAN B - .1 MV \Rightarrow 20V AT OUTPUT INTO 4- Ω

- Q1, 2, 3, 4 - J113
- Q5, 7 - MPS-A06
- Q6, 8 - MPS-A56
- D1, 2, 7, 8 - 1N759
- D3, 4, 5, 6 - 1N4002
- U1, 4 - TL604CP
- U2, 3, 5, 6, 7, 8 - LF353N
- R35 - LF353N
- C40 -

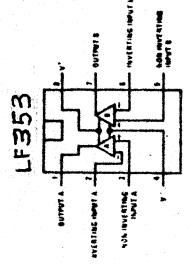
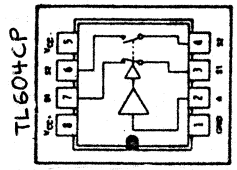


6-8-81	GALLIEN-KRUEGER
R.A. GALLIEN	LEAD PREAMP 210 LC
SN-10986	SN- 60037 B

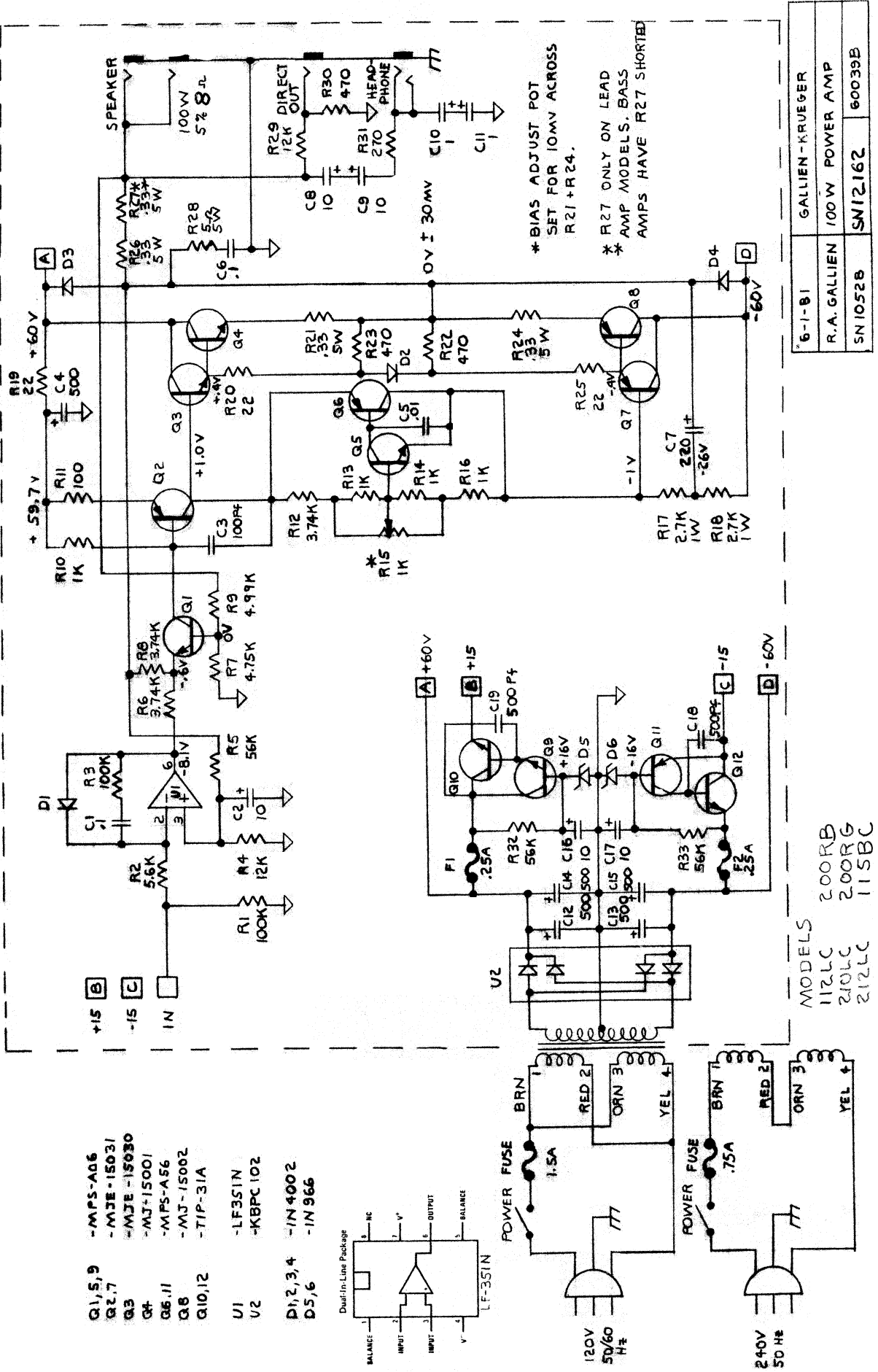


TEST CONDITIONS:
 VOL -10
 TONE -10
 FREQ 200Hz S/N
 CHAN A - 3 MV IN 70V AT OUTPUT INTO 4Ω
 CHAN B - .1MV IN 70V AT OUTPUT INTO 4Ω

- Q 1,2,3,4 - J113
- Q 5,7 - MPS-A06
- Q 6,8 - MPS-A56
- D 1,2,7,8 - 1N759
- D 3,4,5,6 - 1N4002
- U 1,4 - TL604CP
- U 2,3,5,6,7,8 - LF353N
- R 03 -
- C 4 0

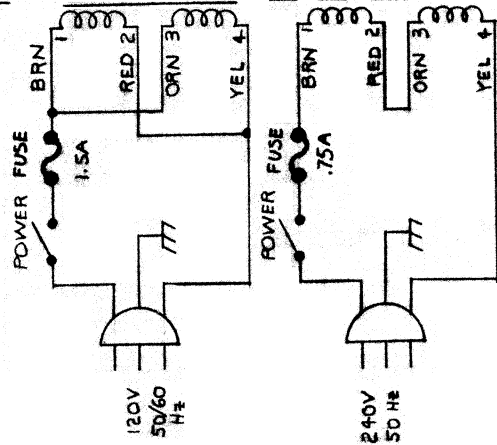
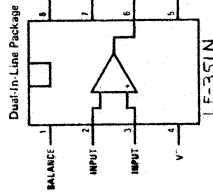


6-9-81	GALLIEN-KRUEGER
R.A.GALLIEN	LEAD PREAMP 212LC
SN-10811	SN-
	60038B

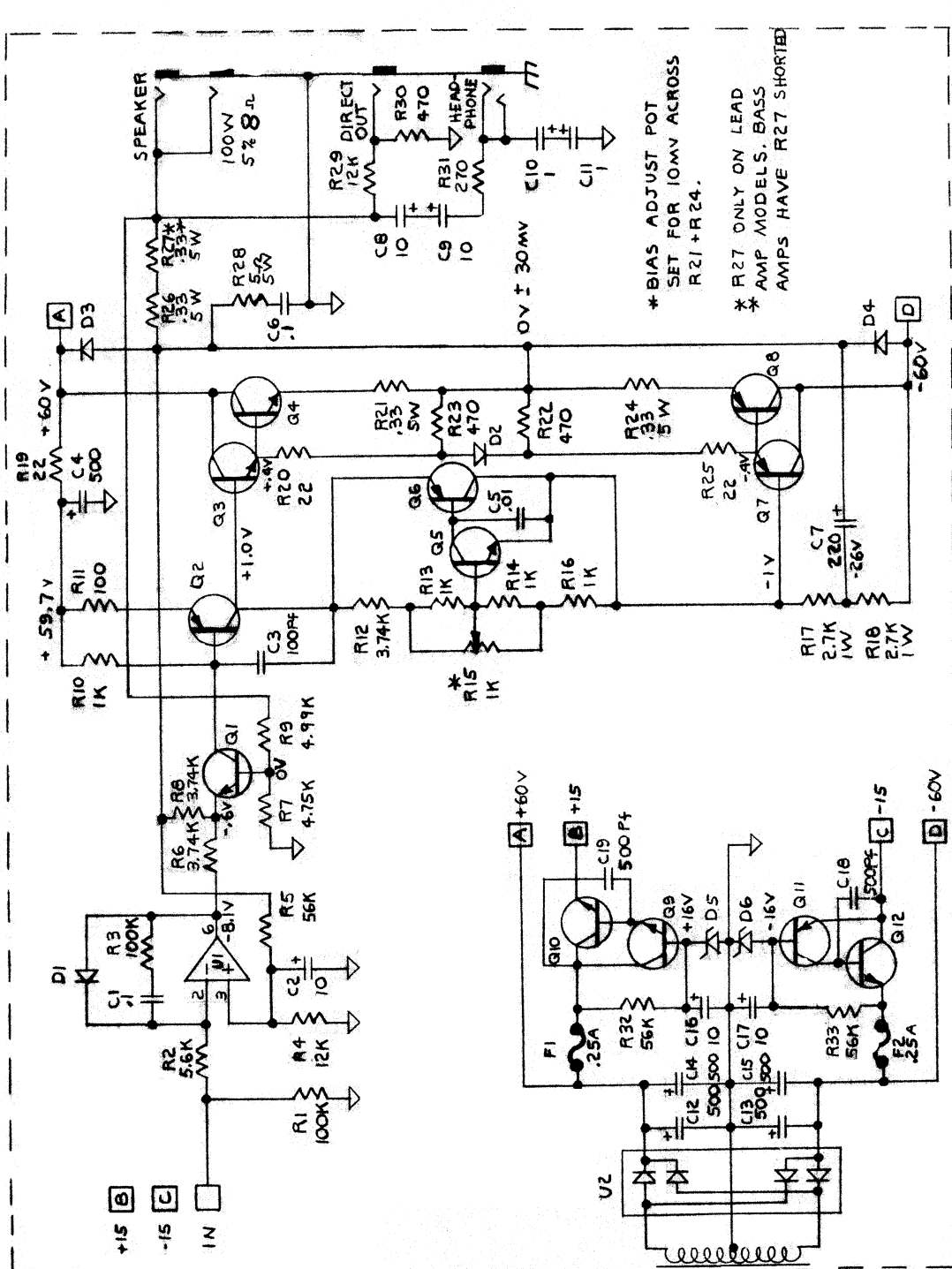


6-1-B1	GALLIEN-KRUEGER
R.A. GALLIEN	100 W POWER AMP
SN1052B	SN12162 60039B

- Q1,5,9 -MPS-A06
- Q2,7 -MJE-15031
- Q3 -MJE-15030
- Q4 -MJ-15001
- Q6,11 -MPS-A56
- Q8 -MJ-15002
- Q10,12 -TIP-31A
- U1 -LF351N
- U2 -KBPC 102
- D1,2,3,4 -1N4002
- D5,6 -1N966



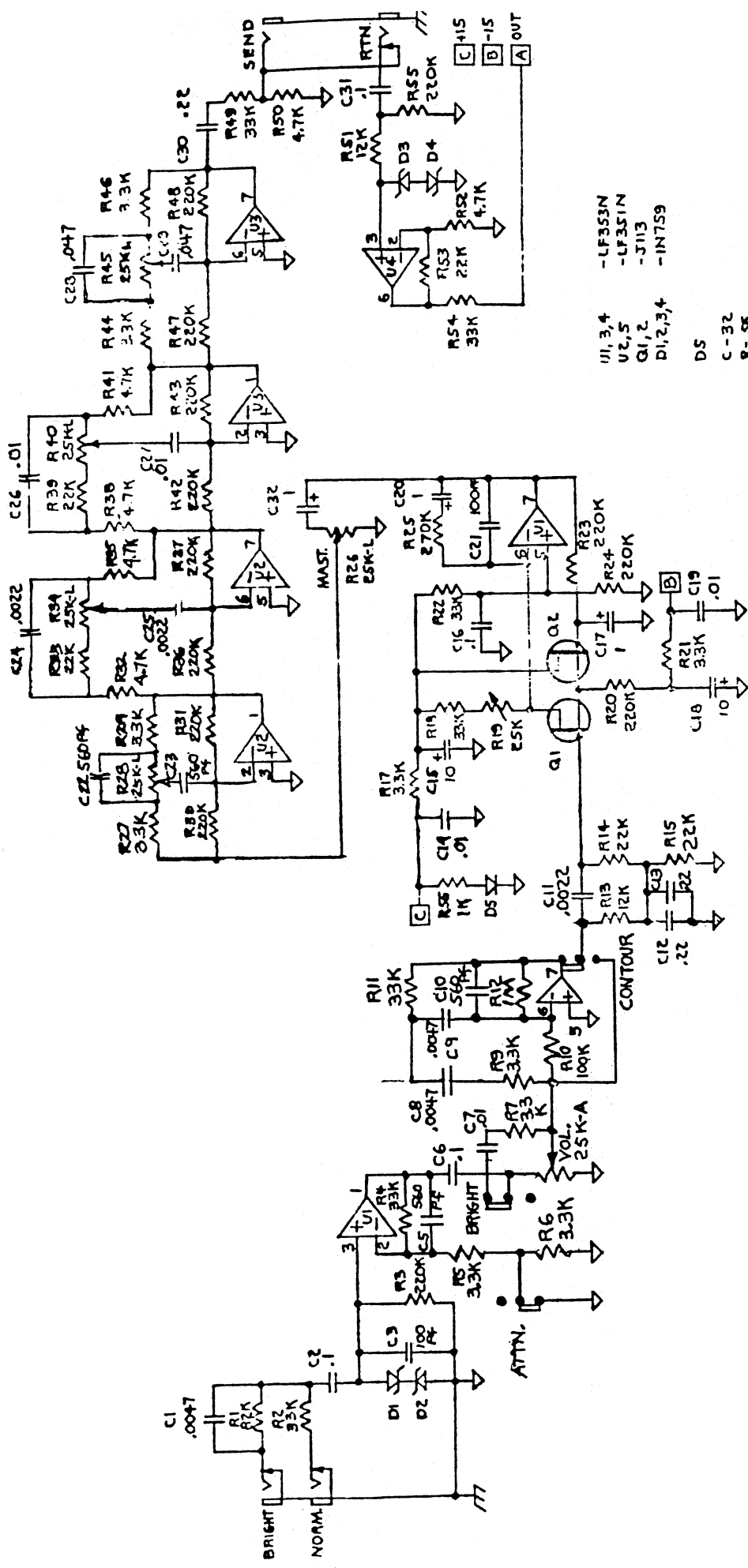
- MODELS
- 112LC
- 210LC
- 212LC
- 200RB
- 200RG
- 115BC



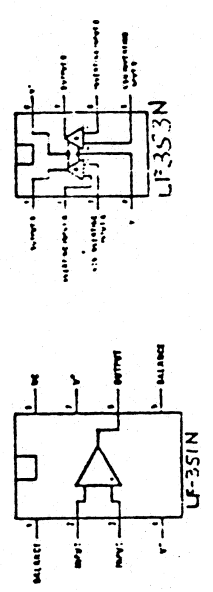
* BIAS ADJUST POT
SET FOR 10mV ACROSS
R27 + R24.

* R27 ONLY ON LEAD
* AMP MODELS, BASS
AMPS HAVE R27 SHORTED

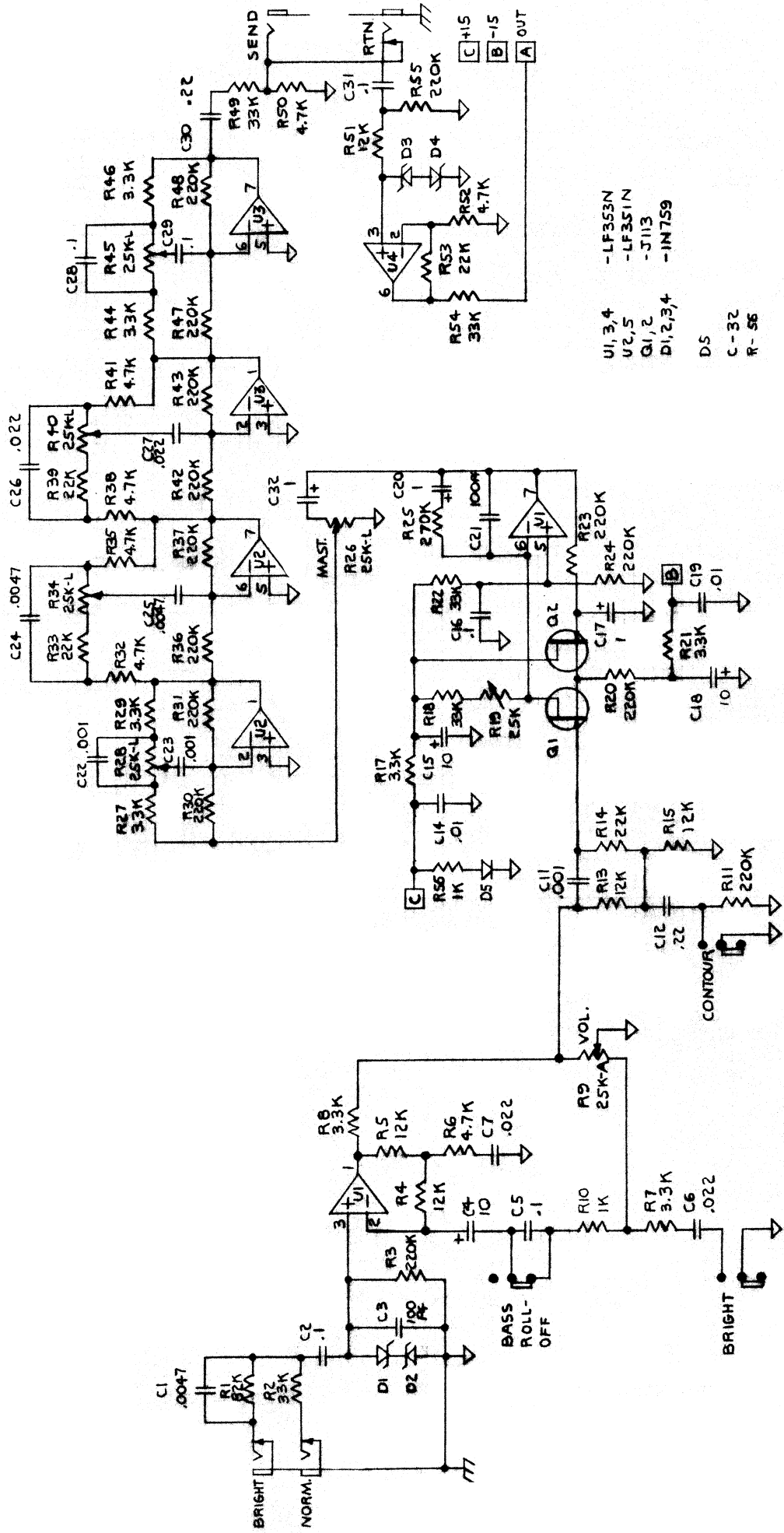
6-1-B1	GALLIEN-KRUEGER
R.A. GALLIEN	100 W POWER AMP
SN1052B	SN12162 60039B



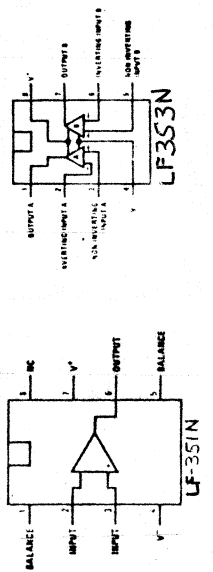
- U1, 3, 4 - LF353N
- U2, 5 - LF351N
- Q1, 2 - 3J113
- D1, 2, 3, 4 - 1N759
- DS
- C-32
- R-58



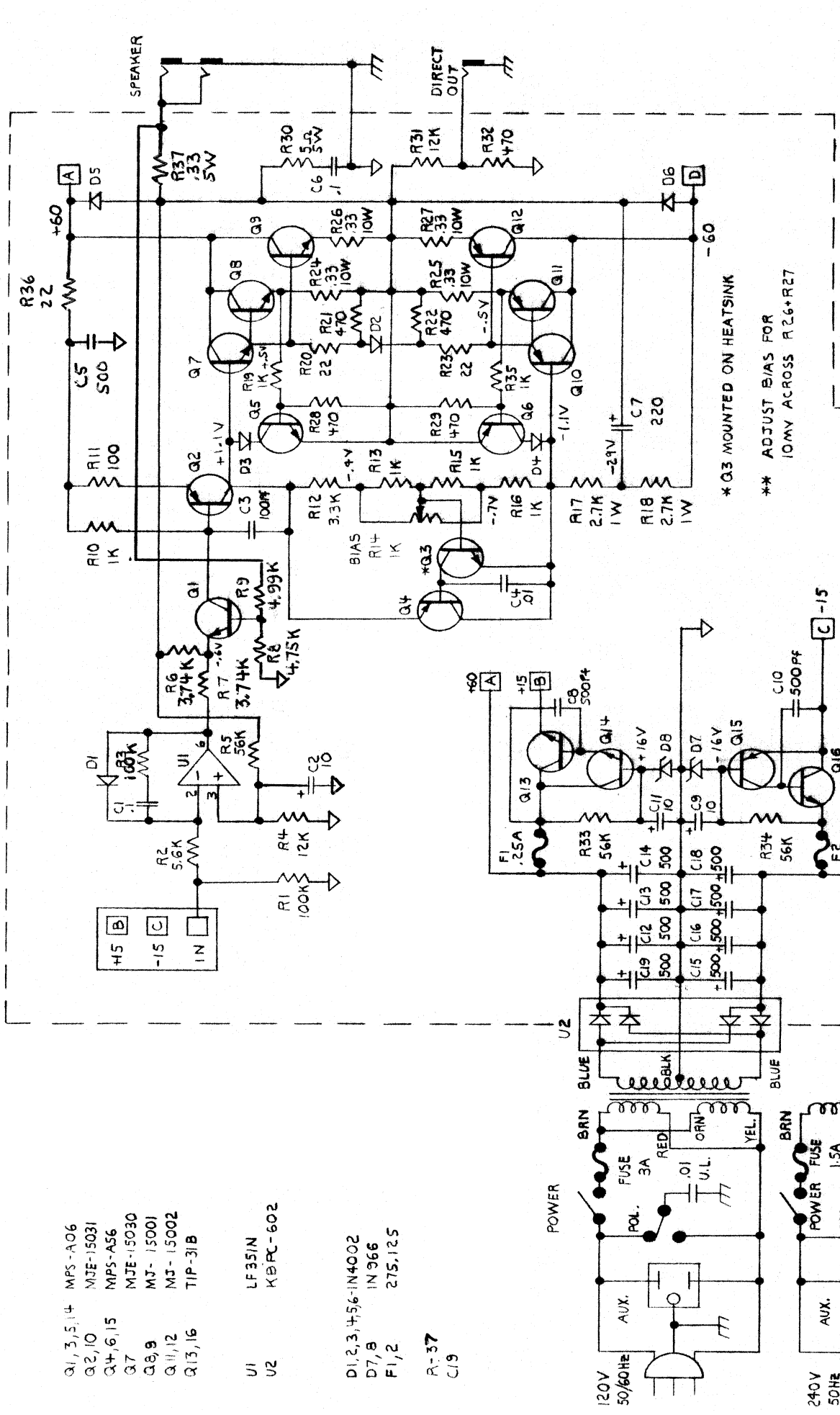
RA GAIN	GAIN	SN-10583	SN-10627	50080A
RA GAIN	GAIN	SN-10583	SN-10627	50080A



- U1, 3, 4 - LF353N
- U2, 5 - LF351N
- Q1, 2 - J113
- D1, 2, 3, 4 - 1N759
- D5
- C - 32
- R - 56



B-8-B1	GALLIEN-KRUEGER
R.A. GALLIEN	BASS PREAMP 115BC
SN-10931	SN-11272 60040B



- Q1, 3, 5, 14 MPS-A06
- Q2, 10 MJE-15031
- Q4, 6, 15 MJE-A56
- Q7 MJE-15030
- Q8, 9 MJE-15001
- Q11, 12 MJE-15002
- Q13, 16 TIP-31B

- U1 LF351N
- U2 KBRC-602

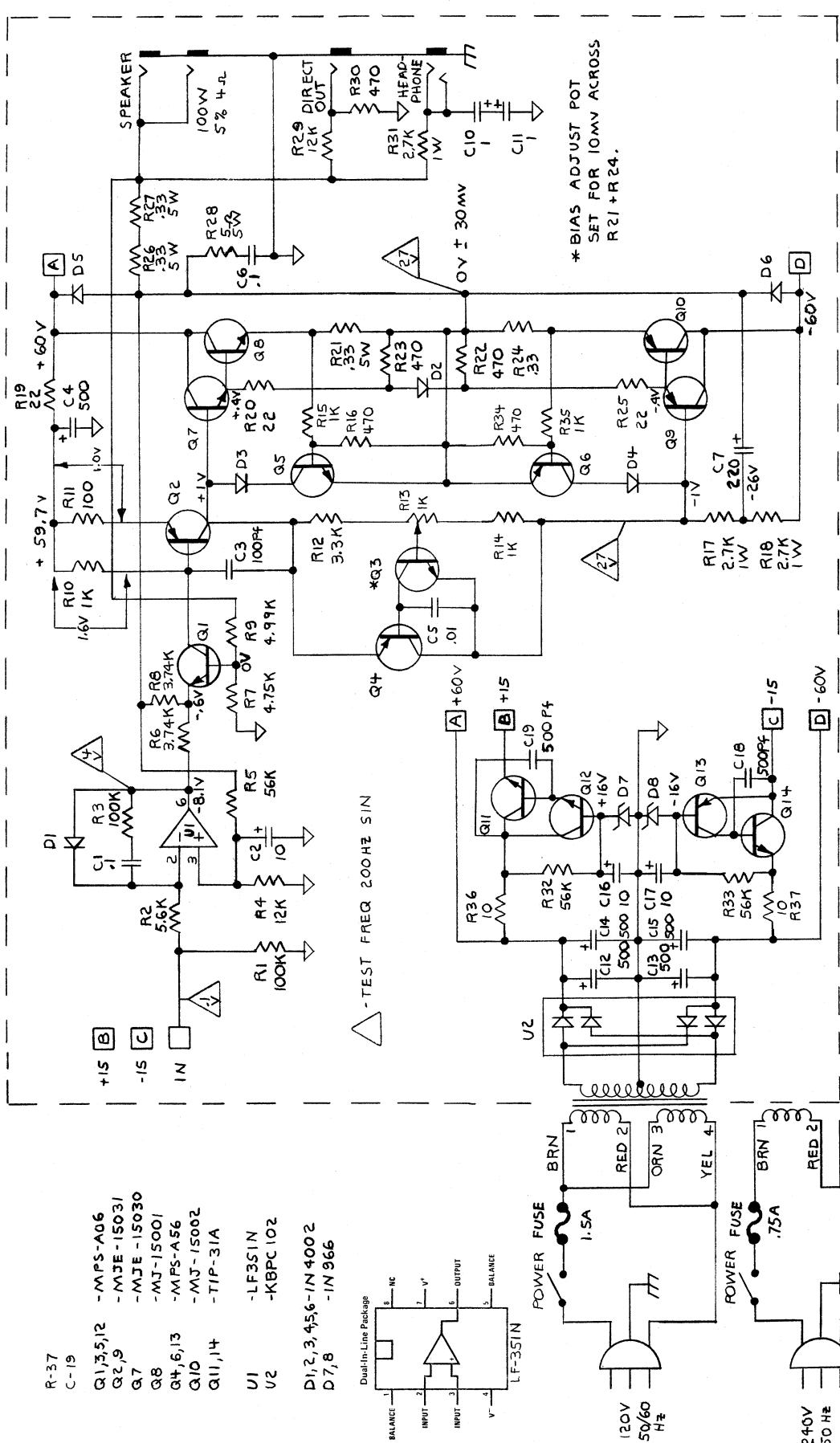
- D1, 2, 3, 4, 5, 6-1N4002
- D7, 8 1N366
- F1, 2 2T5, 125

- R-37
- C19

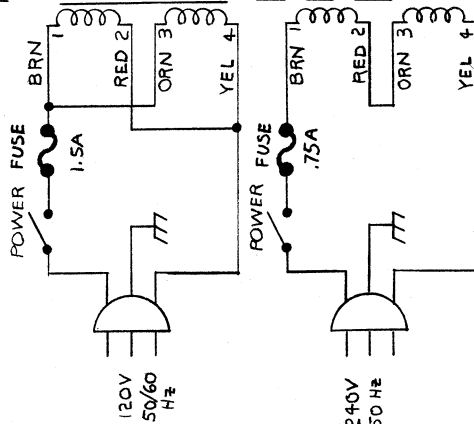
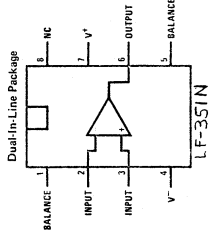
* Q3 MOUNTED ON HEATSINK

** ADJUST BIAS FOR 10MV ACROSS R26+R27

1-13-82	GALLIEN-KRUEGER
R.A. GALLIEN	POWER AMP 400RG
SN11597	-
	60043A



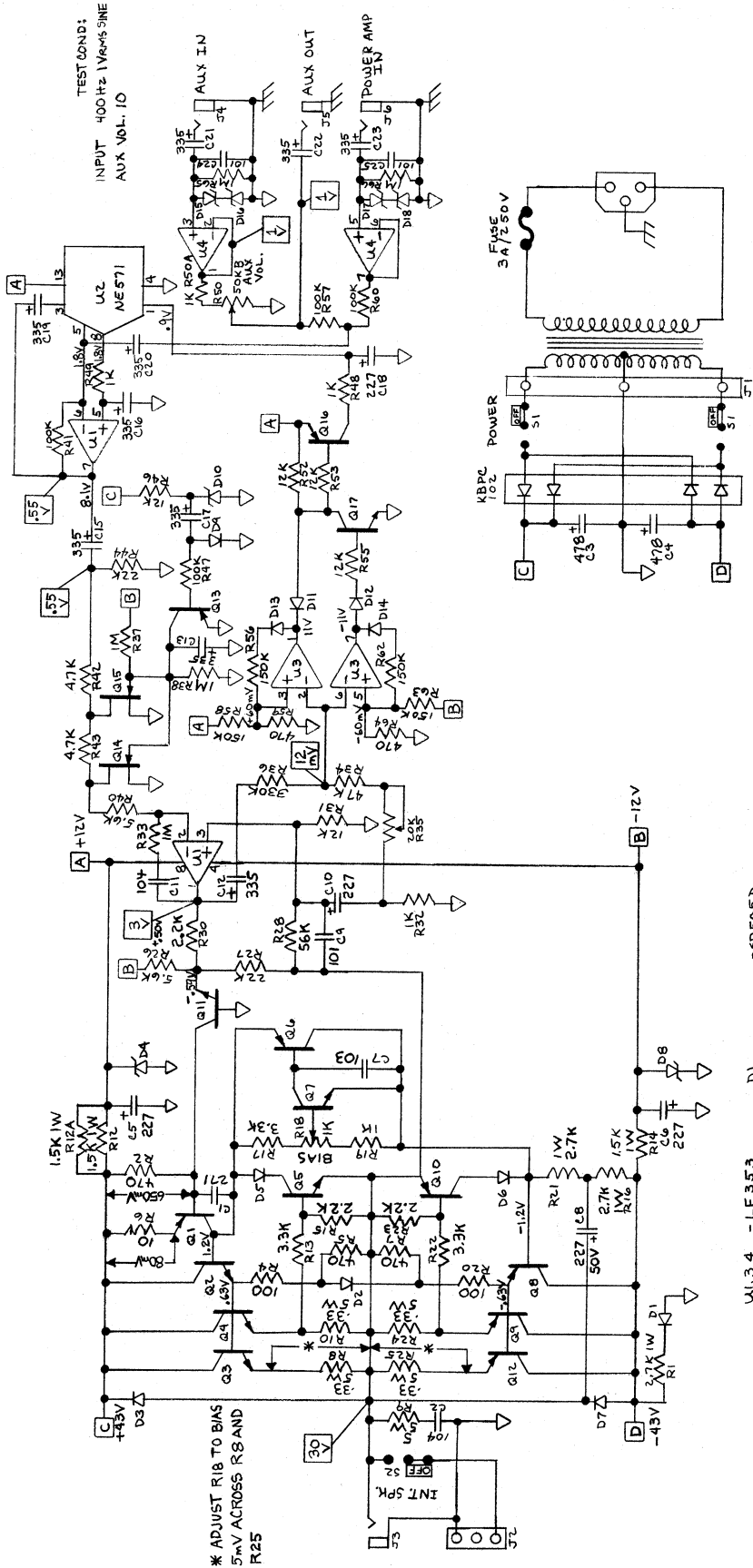
- R-37
- C-19
- G1,3,5,12 -MPS-A06
- G2,9 -MJE-15031
- G7 -MJE-15030
- G8 -MJ-15001
- G4,6,13 -MPS-A56
- G10 -MJ-15002
- G11,14 -TIP-31A
- U1 -LF351N
- U2 -KBPC102
- D1,2,3,4,5,6-IN 400 2
- D7,8 -IN 966



- MODELS
- 112LC 2.00RB
 - 212LC 2.00RG
 - 210LC 1.15BC

*BIAS ADJUST POT
SET FOR 10MV ACROSS
R21+R24.

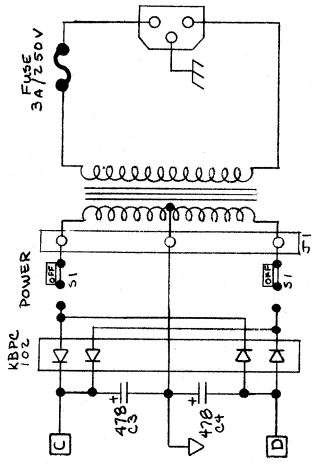
6-1-B1	GALLIEN-KRUEGER
SN/2163	POWER AMP 200RG/112LC
	60046C



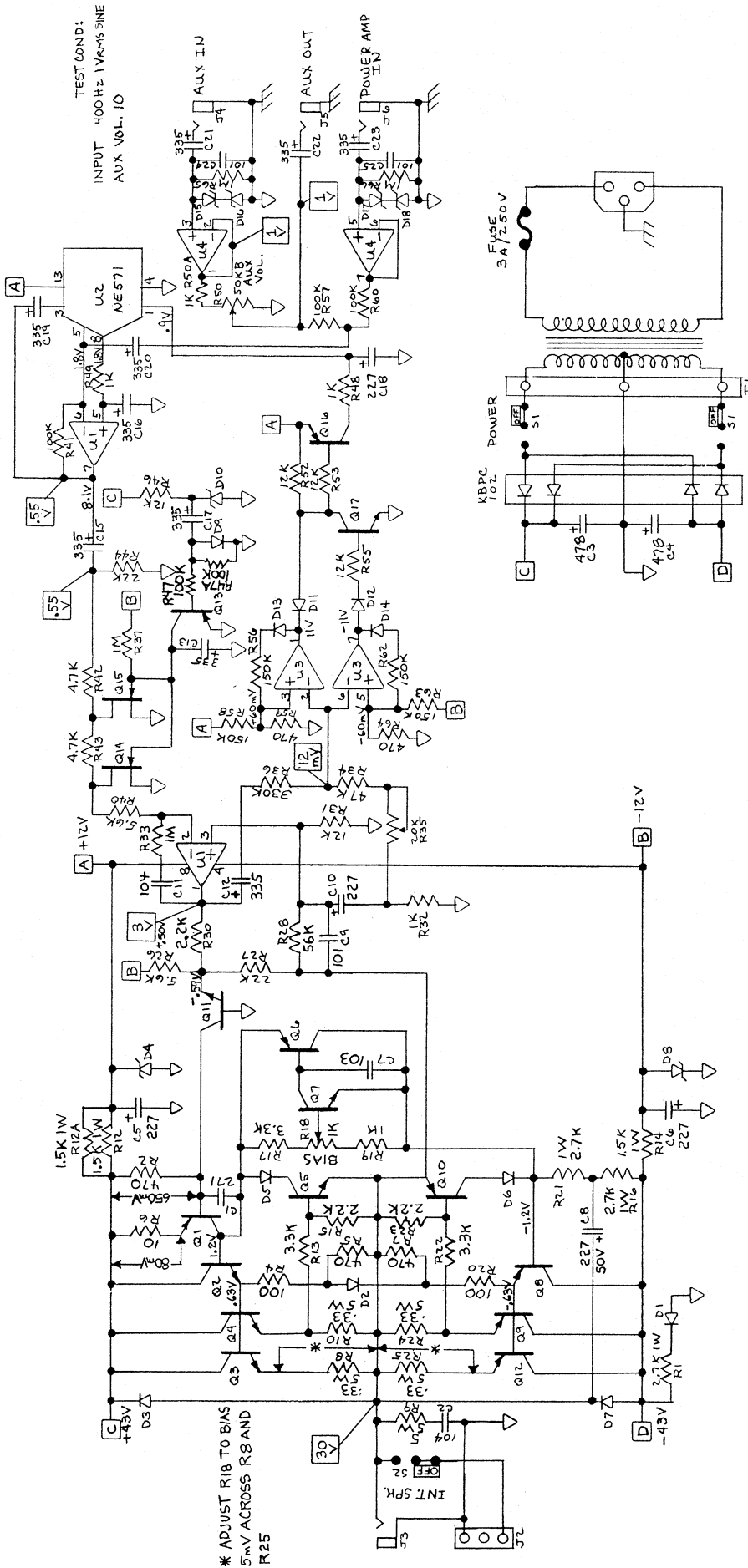
TEST COND:
INPUT 400 Hz 1Vrms SINE
AUX VOL. 10

* ADJUST R18 TO BIAS
5mV ACROSS R25
R25

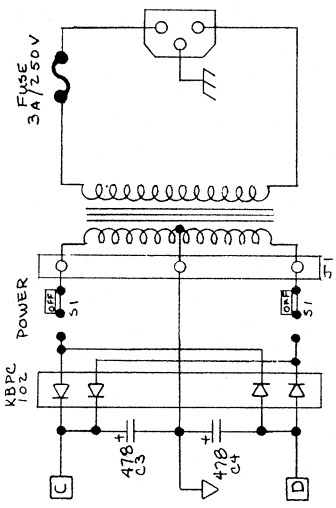
- U1,3,4 - LF353
- U2 - NE571
- Q1,8 - TIP 30C
- Q2 - TIP 29C
- Q3,4 - TIP 33C
- Q5,7,11,17 - MPS A06
- Q6,10,13,14 - MPS A56
- Q14,15 - J113
- D1 - 5R505D
- D2,3,5,6,7 - IN4002
- D4,8,15,16,17,18 - IN754
- D9,11,12,13,14 - IN914
- D10 - IN968B



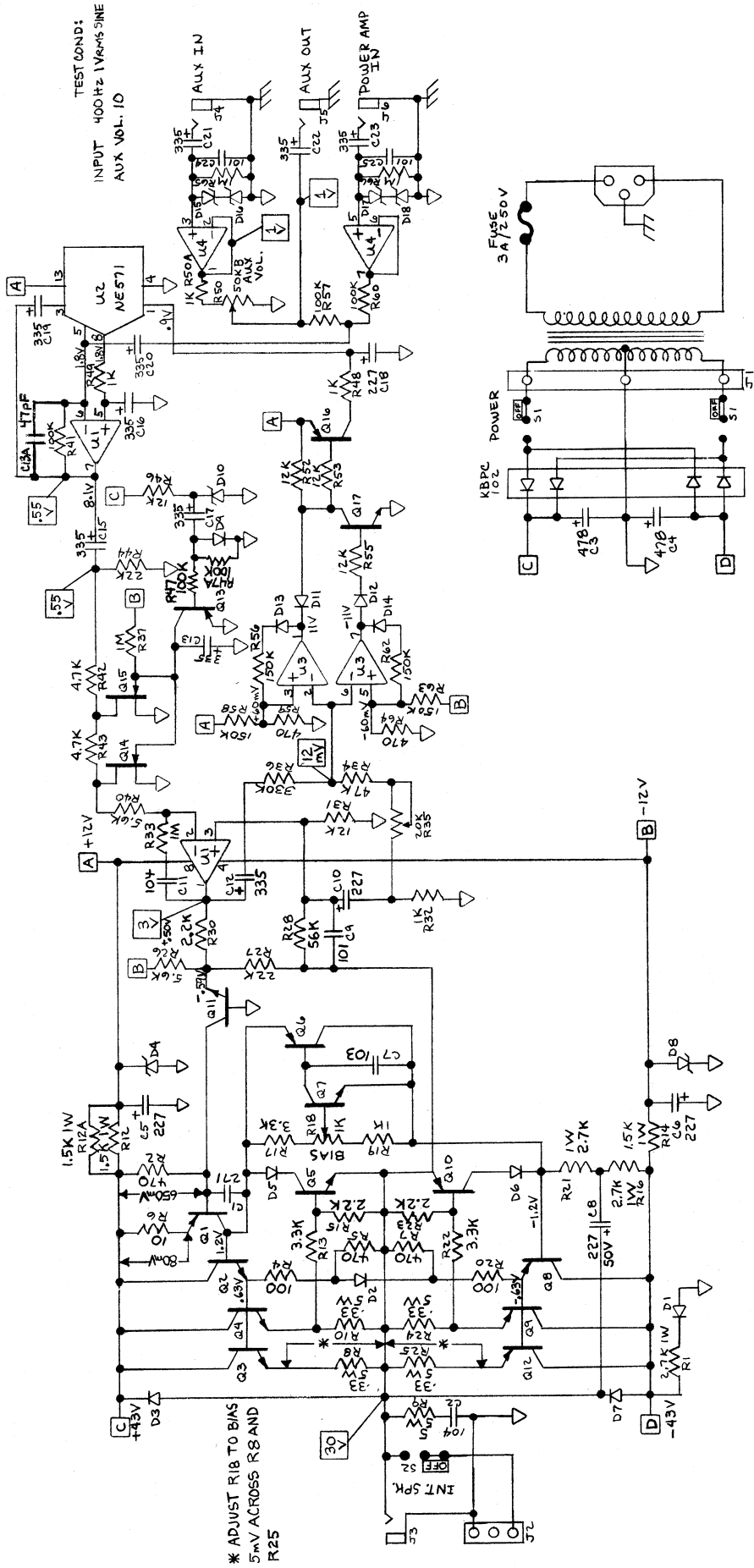
10-21-85	GALLIEN - KRUEGER
M. P. JOHNS	200MP
END	46854
	60053B



- U1,3,4 - LF 353
- U2 - NE 571
- Q1,8 - TIP 30C
- Q2 - TIP 29C
- Q3,4 - TIP 33C
- Q5,7,11,17 - MPS A06
- Q6,10,13,14 - MPS A56
- Q14,15 - 5T13
- Q9,12 - TIP 34C
- D1 - -SR505D
- D2,3,5,6,7 - -IN4002
- D4,8,15,16,17,18 - IN759
- D9,11,12,13,14 - IN914
- D10 - -IN468B



10-21-85	GALLIEN - KRUEGER
M. P. JOHNS	200MP
46855	49683
	60053B

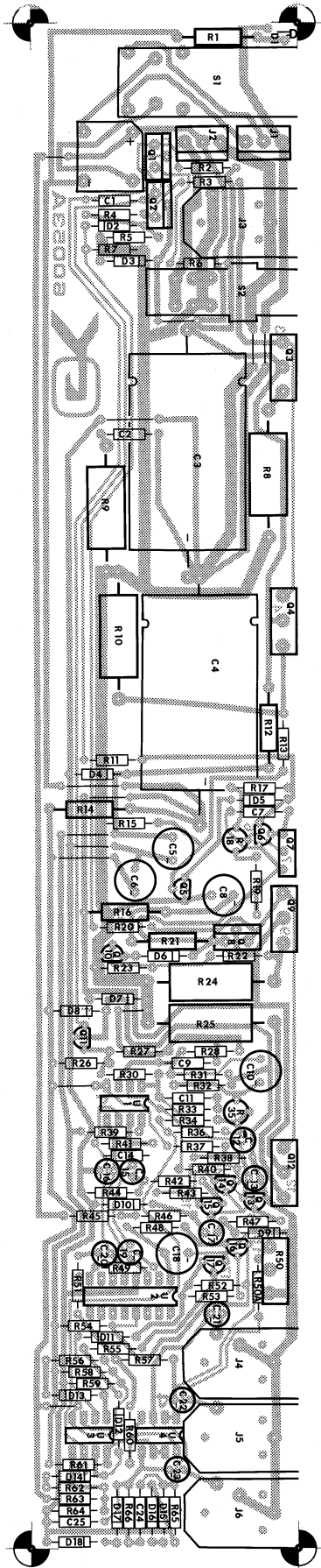


TEST COND:
INPUT 400HZ 1Vrms SINE
AUX VOL. 1.0

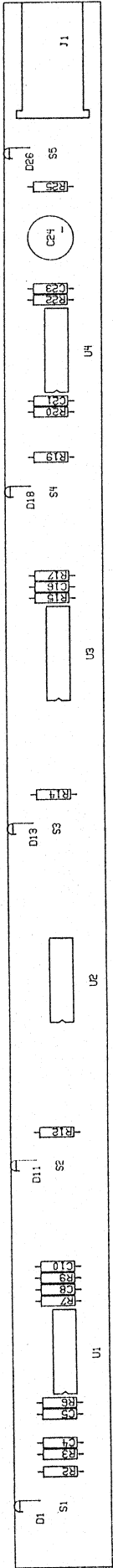
* ADJUST R18 TO BIAS
5mV ACROSS R8 AND
R25

- U1,3,4 - LF353
- U2 - NE571
- Q1,8 - TIP 30C
- Q2 - TIP 29C
- Q3,4 - TIP 33C
- Q5,7,11,17 - MPS A06
- Q6,10,13,14 - MPS A56
- Q14,15 - J113
- Q9,12 - TIP34C
- D1 - 5SR505D
- D2,3,5,6,7 - IN4002
- D4,8,15,16,17,18 - IN759
- D9,11,12,13,14 - IN914
- D10 - IN968B

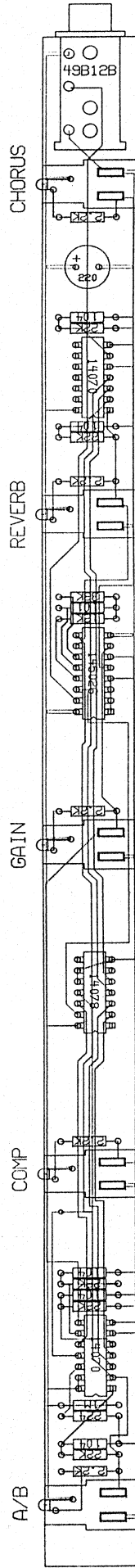
10-21-85	GALLIEN - KRUEGER
M. P. JOHNS	200MP
49684	60053B



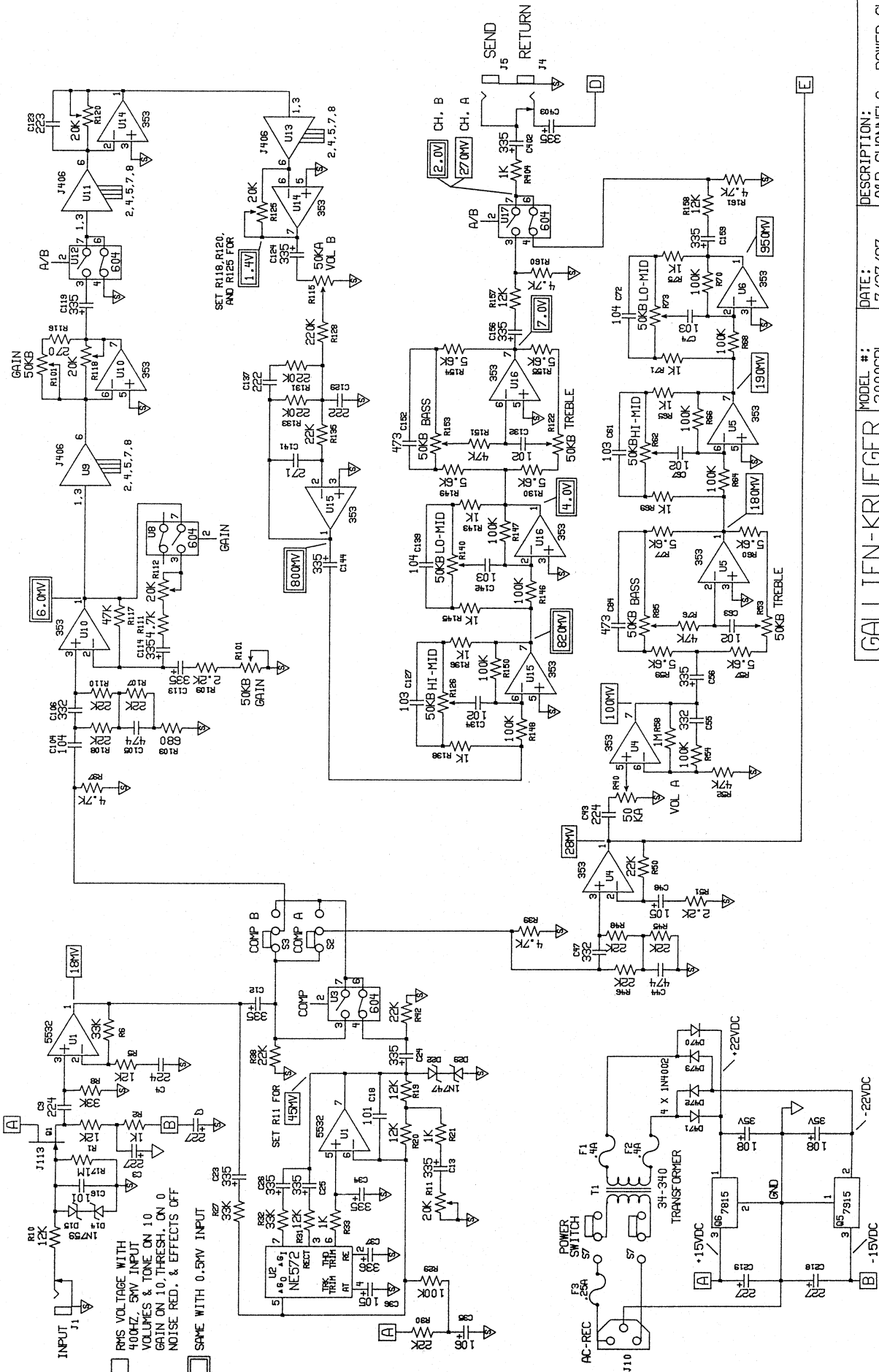
10/21/85 GALLIEN-KRUEGER
 200MP BOARD LAYOUT
 60053B



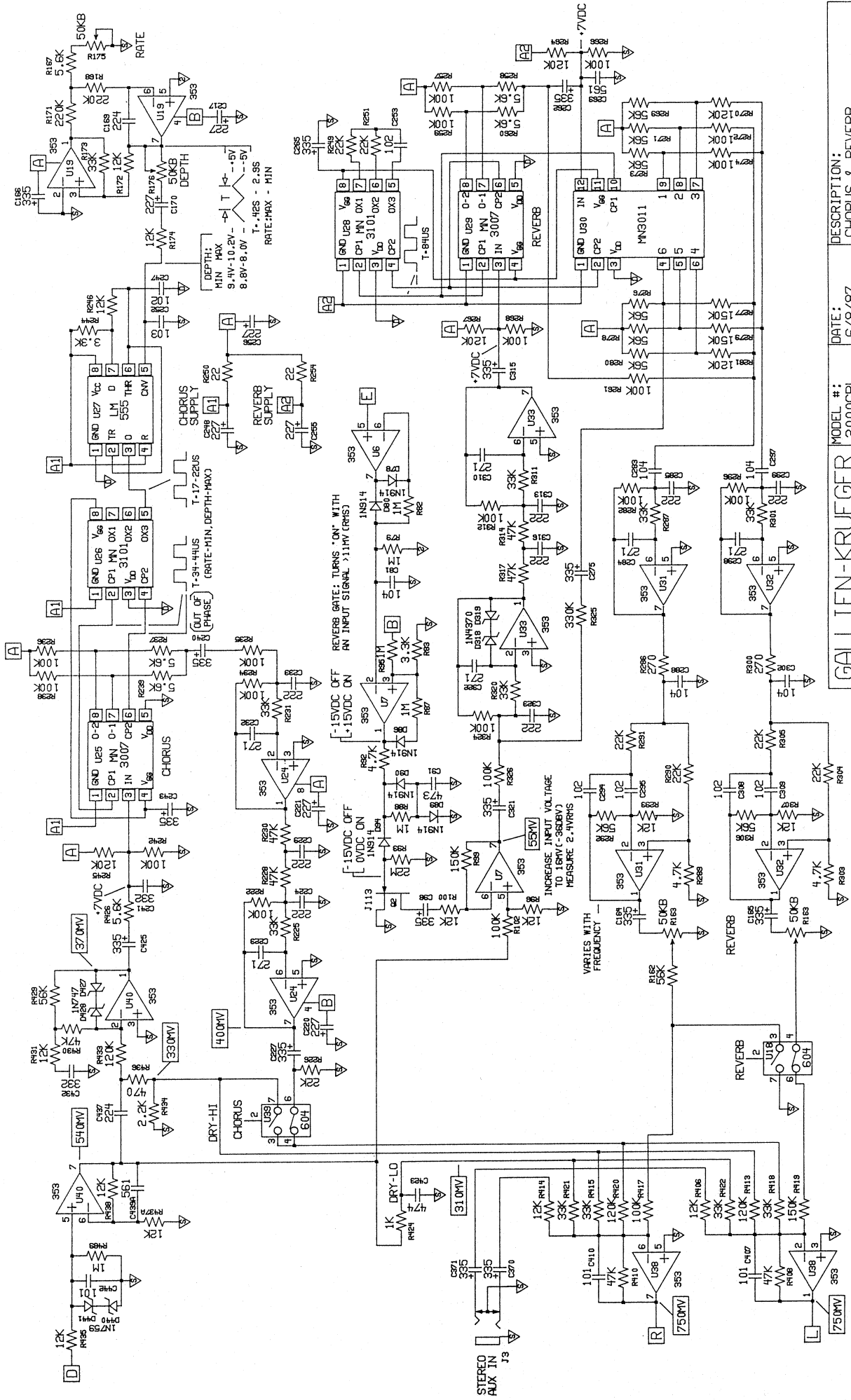
GALLIEN-KRUEGER	MODEL #:	DATE:	DESCRIPTION:
CIRCUIT BOARD ARTWORK	RF65	5/28/87	
	DESIGNED BY:	BOARD #:	REV#-DATE:
	M. JOHNS	60058A	FROM SN: TO SN:



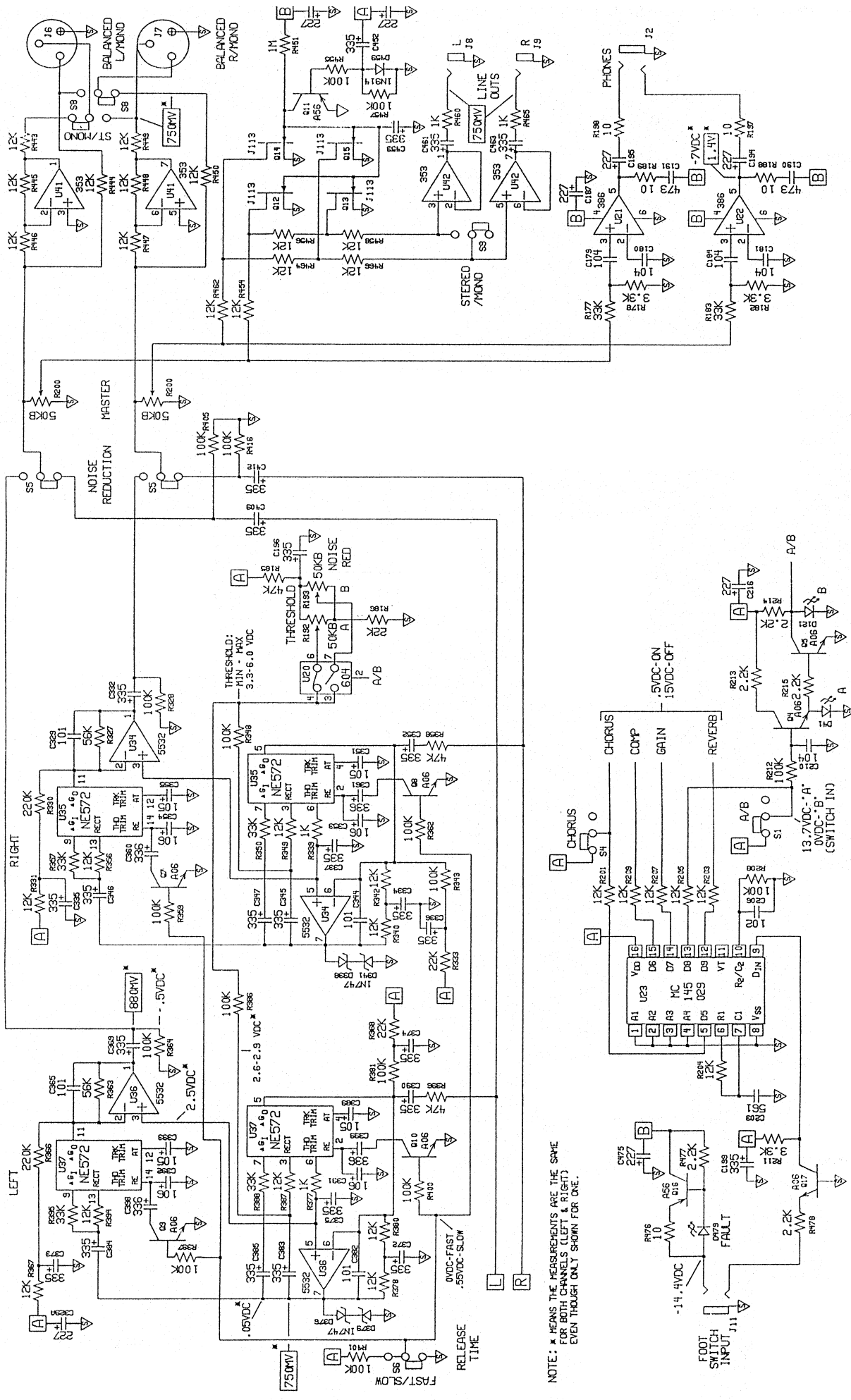
GALLIEN-KRUEGER	MODEL #:	DATE:	DESCRIPTION:
CIRCUIT BOARD ARTWORK	RF65	5/28/87	
	DESIGNED BY:	BOARD #:	REV#-DATE:
	M. JOHNS	60058A	FROM SN: TO SN:



GALLIEN-KRUEGER	MODEL #:	DATE:	DESCRIPTION:
SCHEMATIC PG: 1 OF: 3	2000CPL	7/27/87	A&B CHANNELS, POWER SUPPLY
	DESIGNED BY: M. JOHNS	REV#-DATE:	FROM SN: TO SN:
	600559A		



GALLIEN-KRUEGER		MODEL #:	DATE:	DESCRIPTION:
SCHEMATIC PG: 2 OF: 3		2000CPL	6/8/87	CHORUS & REVERB
		DESIGNED BY:	BOARD #:	REV#-DATE:
		M. JOHNS	60059A	FROM SN: TO SN:



NOTE: * MEANS THE MEASUREMENTS ARE THE SAME FOR BOTH CHANNELS (LEFT & RIGHT) EVEN THOUGH ONLY SHOWN FOR ONE.

MODEL #:	DATE:	DESCRIPTION:
2000CPL	7/27/87	NOISE REDUCTION & OUTPUTS
DESIGNED BY:	BOARD #:	REV#-DATE:
M. JOHNS	60059A	FROM SN:
SCHEMATIC PG: 3 OF 3		