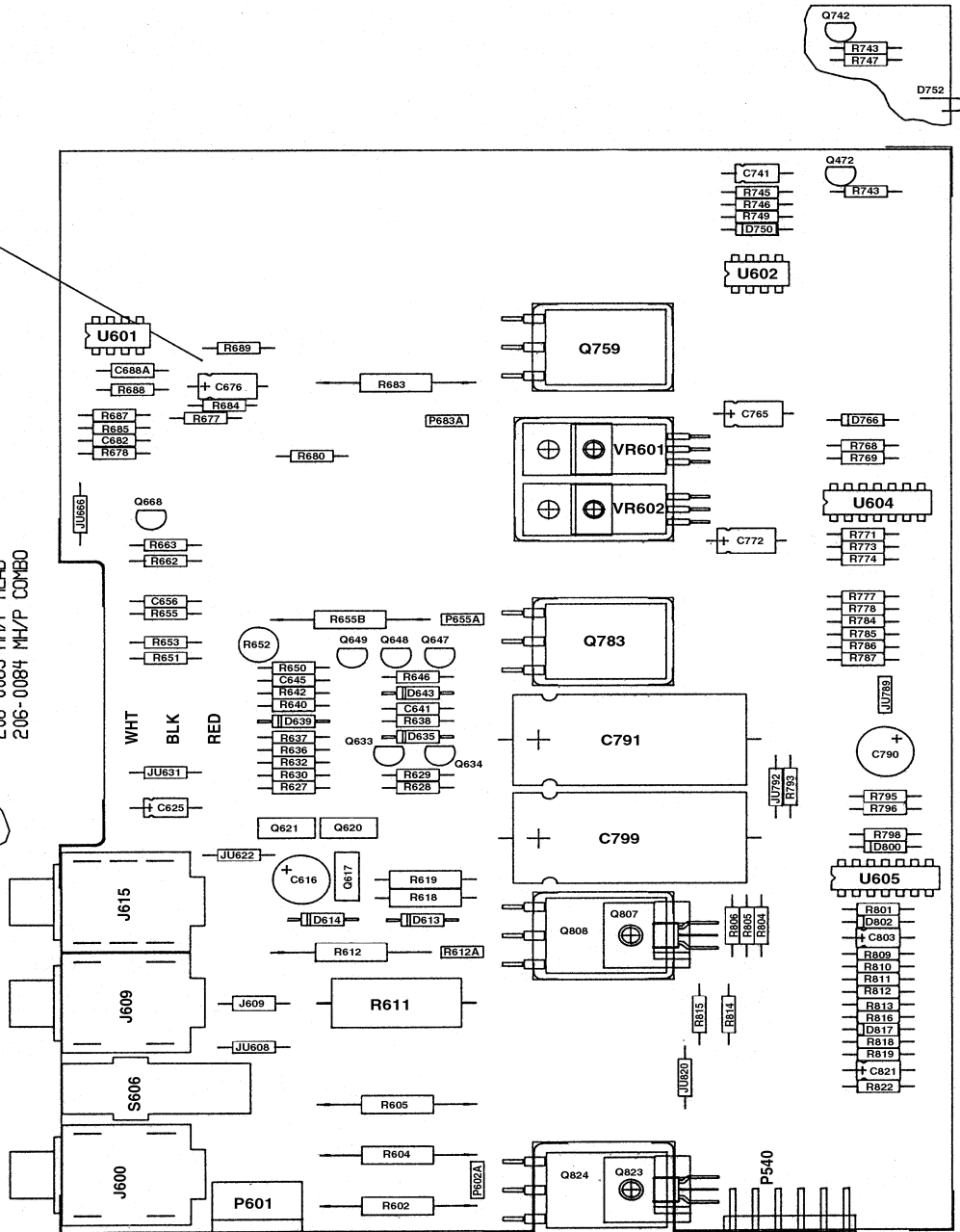


DIR. OUT GND LIFT INPUT -1.00B
GALLIEN-KRUEGER
 403-0061 REV C

GALLIEN-KRUEGER CIRCUIT BOARD ARTWORK	MODEL #:	DATE:	DESCRIPTION:
	MB-S PREAMP	1-8-91	STANDARD PREAMP
	DESIGNED BY:	BOARD #:(DBF)REV#-DATE:	FROM SN# TO SN:
	M.J.	403-0061 C 4 - 1/91	

THIS INFORMATION AND DESIGN DISCLOSED HEREIN WAS ORIGINATED BY AND IS THE PROPERTY OF GALLIEN-KRUEGER. GALLIEN-KRUEGER RESERVES ALL PATENT, PROPRIETARY, DESIGN, MANUFACTURING, REPRODUCTION, USE AND SALES RIGHTS THEREIN, AND TO ANY ARTICLE DISCLOSED THEREIN, EXCEPT TO THE EXTENT RIGHTS ARE EXPRESSLY GRANTED TO OTHERS.

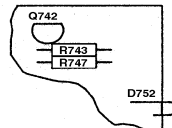
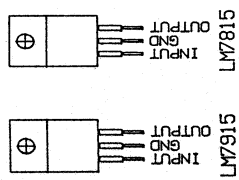
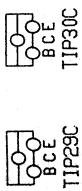
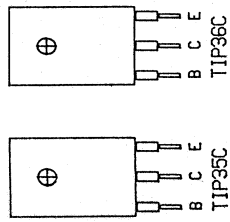
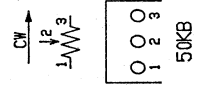
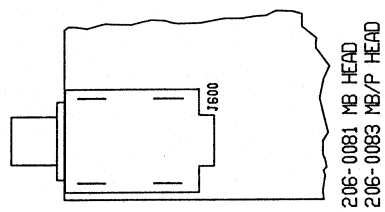


206-0083 MB/P HEAD
206-0084 MB/P COMBO

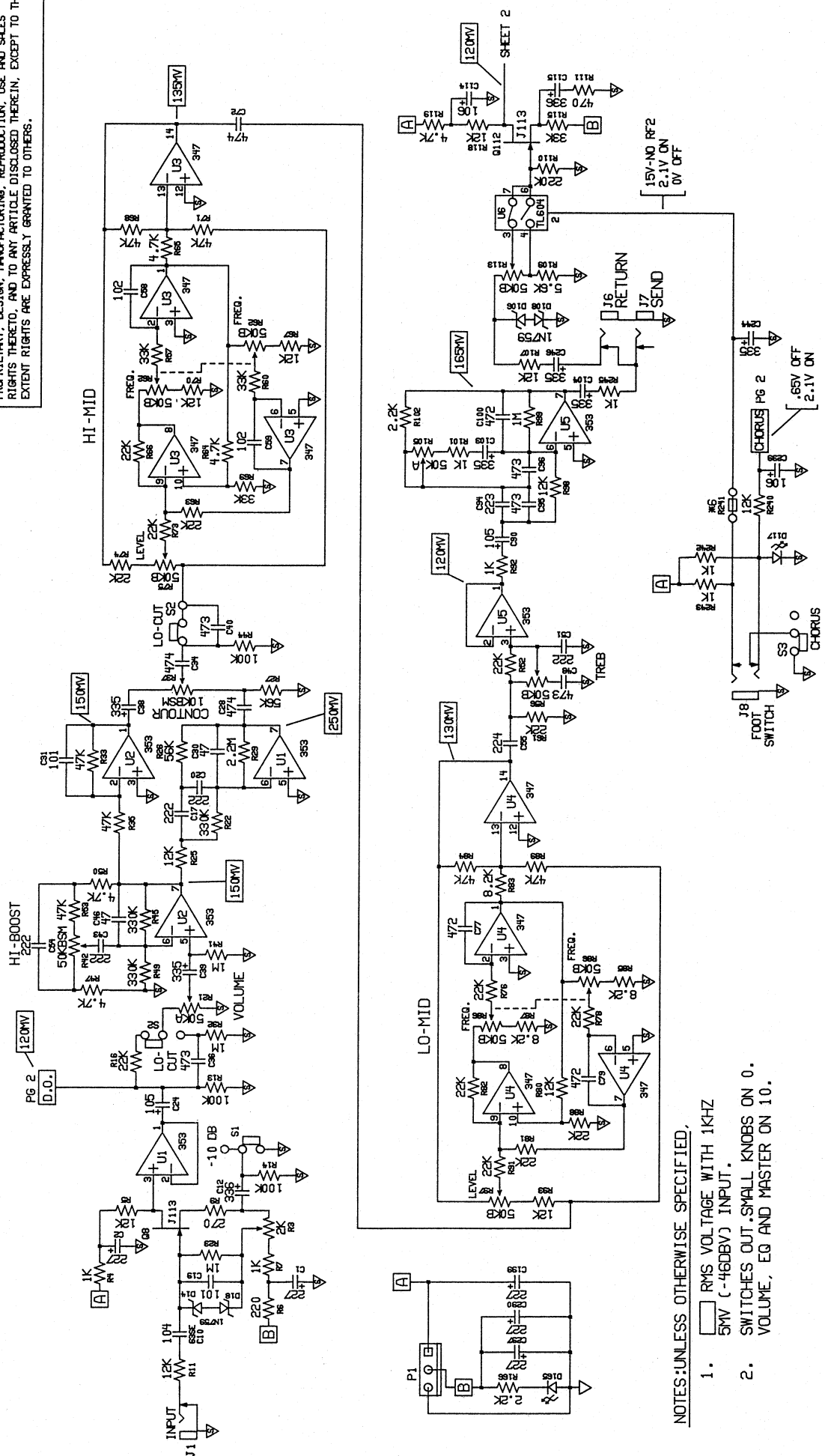
206-0082 MB COMBO

DESCRIPTION: POWER AMP, MONO HIGH DAMPING, 150W	
DATE: 1-31-90	MODEL #: MB PWR AMP
DESIGNED BY: AM/RG	DESIGNED BY: AM/RG
BOARD #: 206-0081D 0082D 0083D 0084D	REV#-DATE: FROM SN: TO SN:

DESCRIPTION: POWER AMP, MONO HIGH DAMPING, 150W	
PCO#	DATE
FIRST SN	



THIS INFORMATION AND DESIGN DISCLOSED HEREIN WAS ORIGINATED BY AND IS THE PROPERTY OF GALLIEN-KRUEGER. GALLIEN-KRUEGER RESERVES ALL PATENT, PROPRIETARY, DESIGN, MANUFACTURING, REPRODUCTION, USE AND SALES RIGHTS THEREON, AND TO ANY ARTICLE DISCLOSED THEREIN, EXCEPT TO THE EXTENT RIGHTS ARE EXPRESSLY GRANTED TO OTHERS.



NOTES: UNLESS OTHERWISE SPECIFIED,

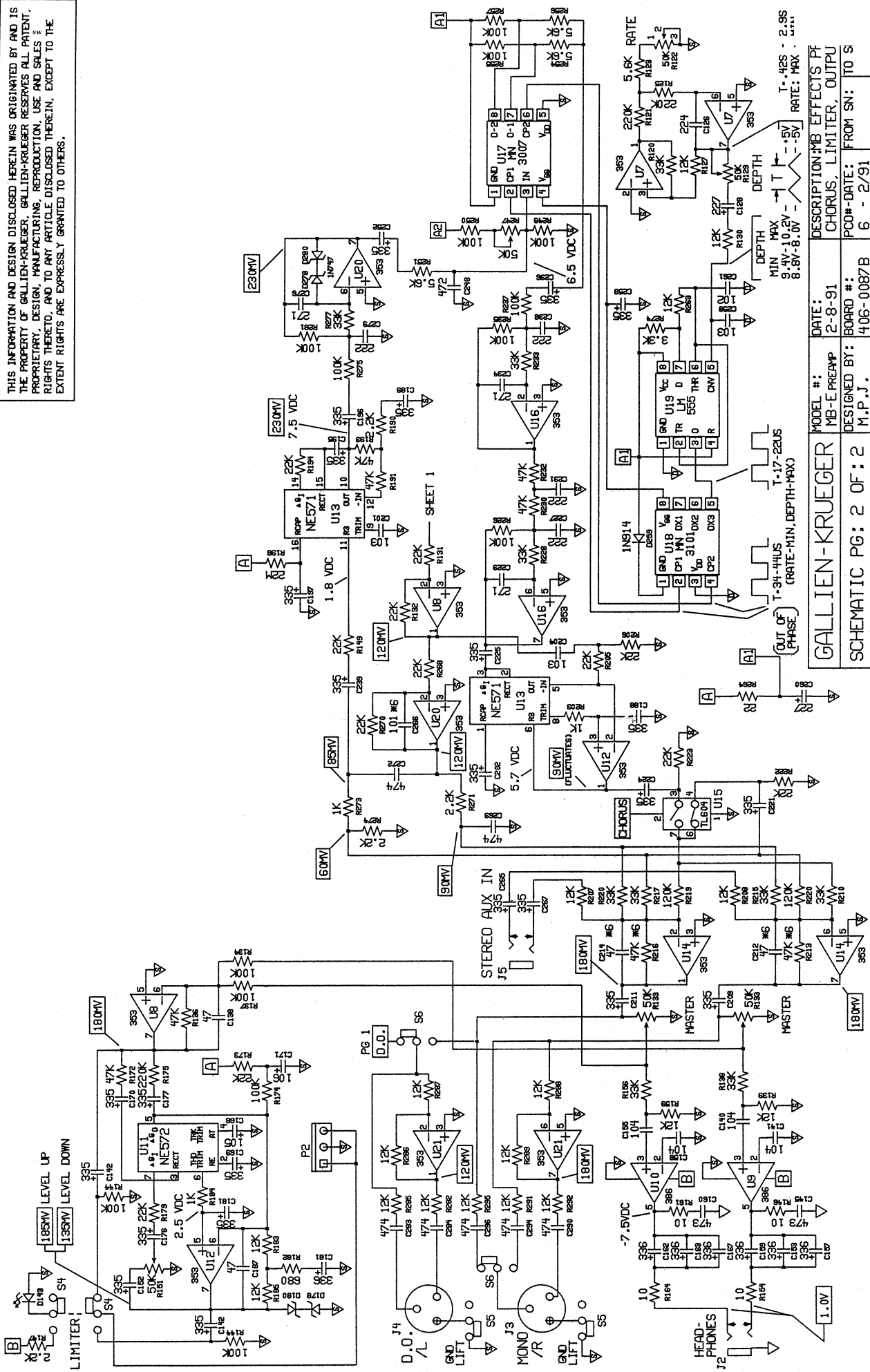
1. RMS VOLTAGE WITH 1KHZ 5MV (-46DBV) INPUT.
2. SWITCHES OUT, SMALL KNOBS ON 0. VOLUME, EQ AND MASTER ON 10.

PCO#	DATE	FIRST SN	PCO#	DATE	FIRST SN	PCO#	DATE	FIRST SN
6	2/91							

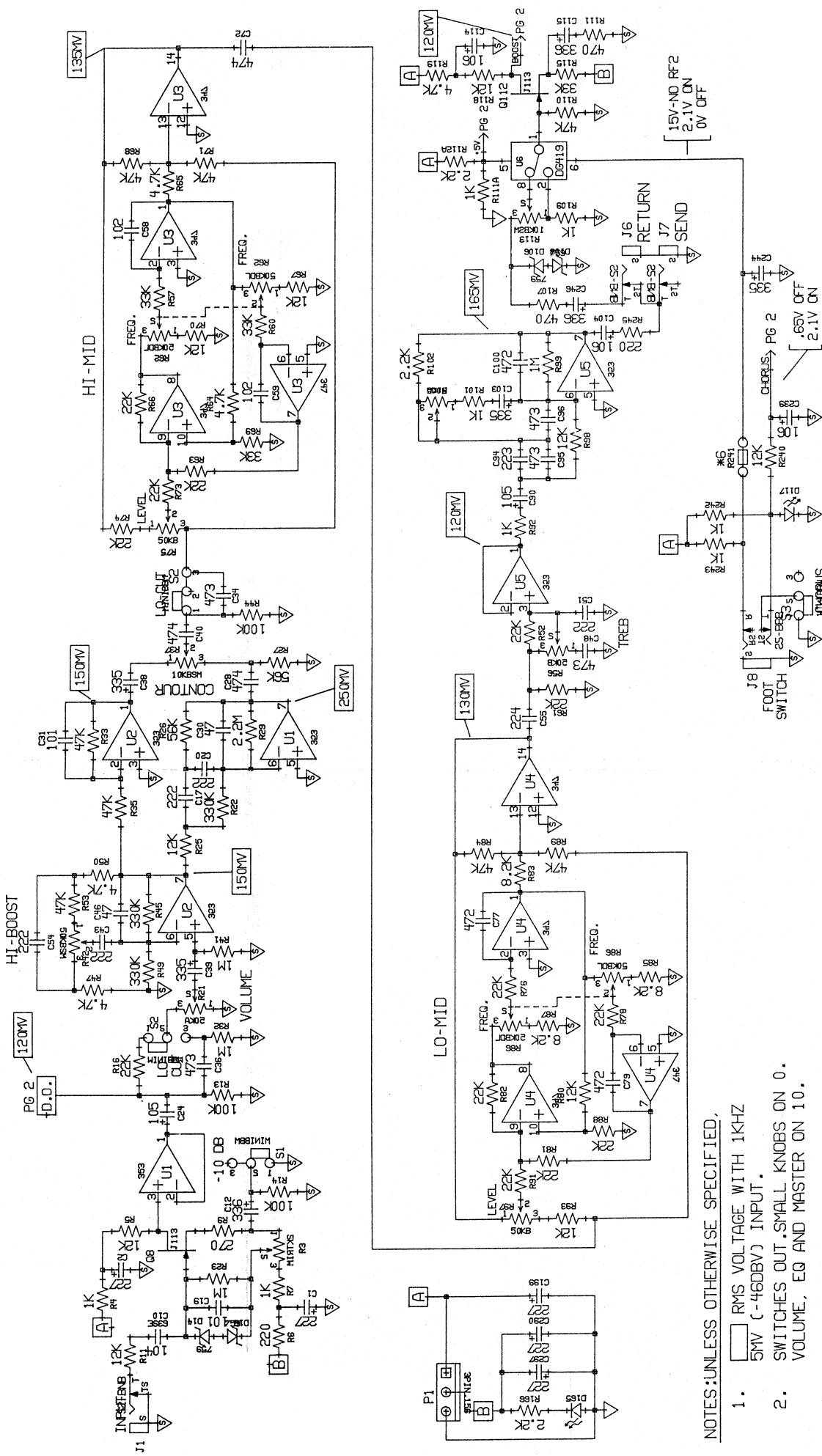
MODEL #:	DATE:	DESCRIPTION: MB EFFECTS PREAMP
MB-E PREAMP	2-8-91	INPUT, FILTERS, EQ, BOOST

DESIGNED BY:	BOARD #:	PCO#-DATE:	FROM SN#	TO SN:
M.P.J.	406-0087B	6 - 2/91		

THIS INFORMATION AND DESIGN DISCLOSED HEREIN WAS ORIGINATED BY AND IS THE PROPERTY OF GALLIEN-KRUEGER. GALLIEN-KRUEGER RESERVES ALL PATENT, PROPRIETARY, DESIGN, MANUFACTURING, REPRODUCTION, USE AND SALES RIGHTS THEREIN, AND TO ANY ARTICLE DISCLOSED THEREIN, EXCEPT TO THE EXTENT RIGHTS ARE EXPRESSLY GRANTED TO OTHERS.

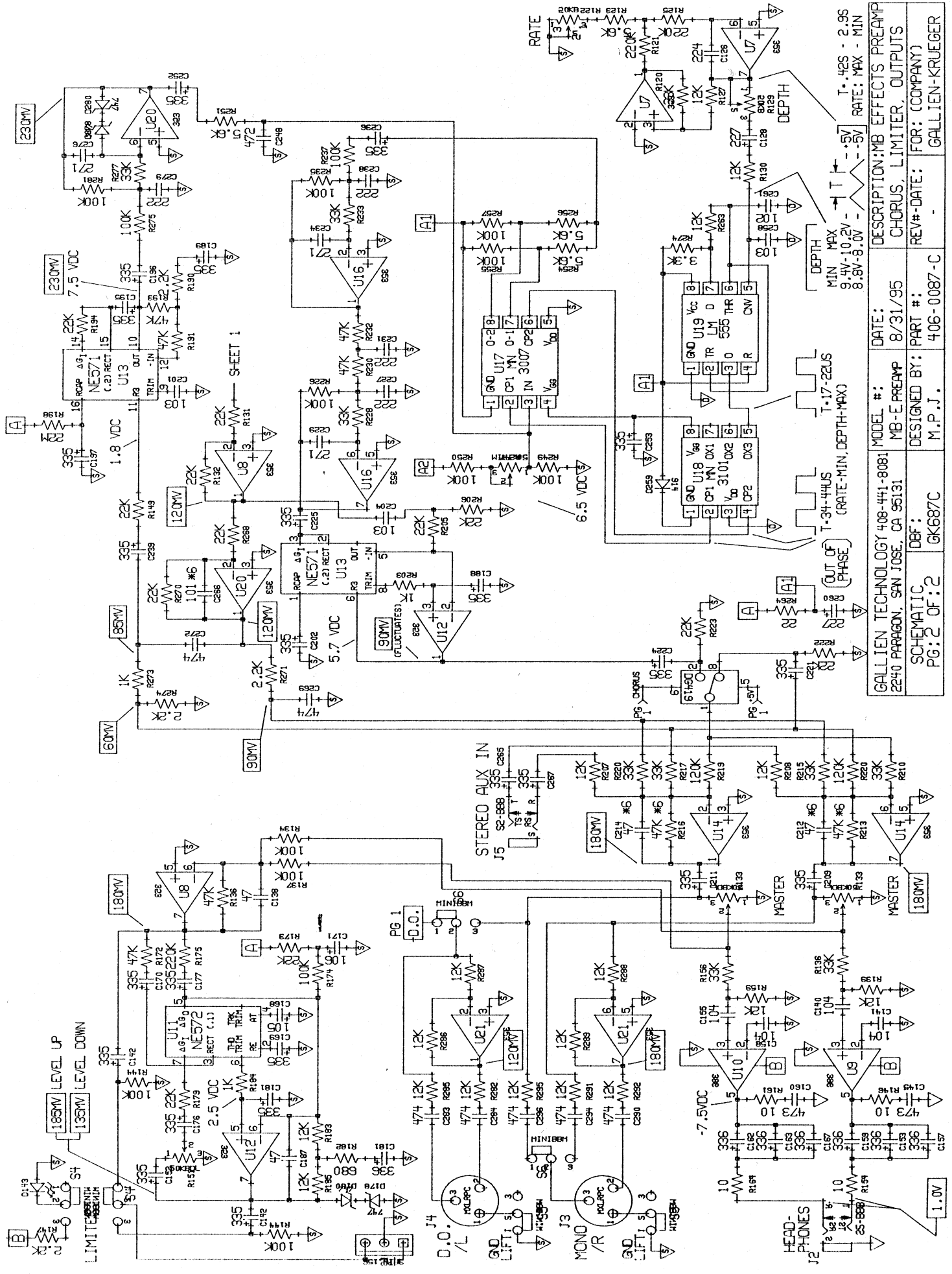


MODEL #:	DATE:	DESCRIPTION/MB EFFECTS PF
MB-E PREAMP	2-8-91	CHORUS, LIMITER, OUTPUT
DESIGNED BY:	BOARD #:	PCO#-DATE:
M.P.J.	406-0087B	FROM SN: IT0 S
SCHEMATIC PG: 2 OF 2		6 - 2/91



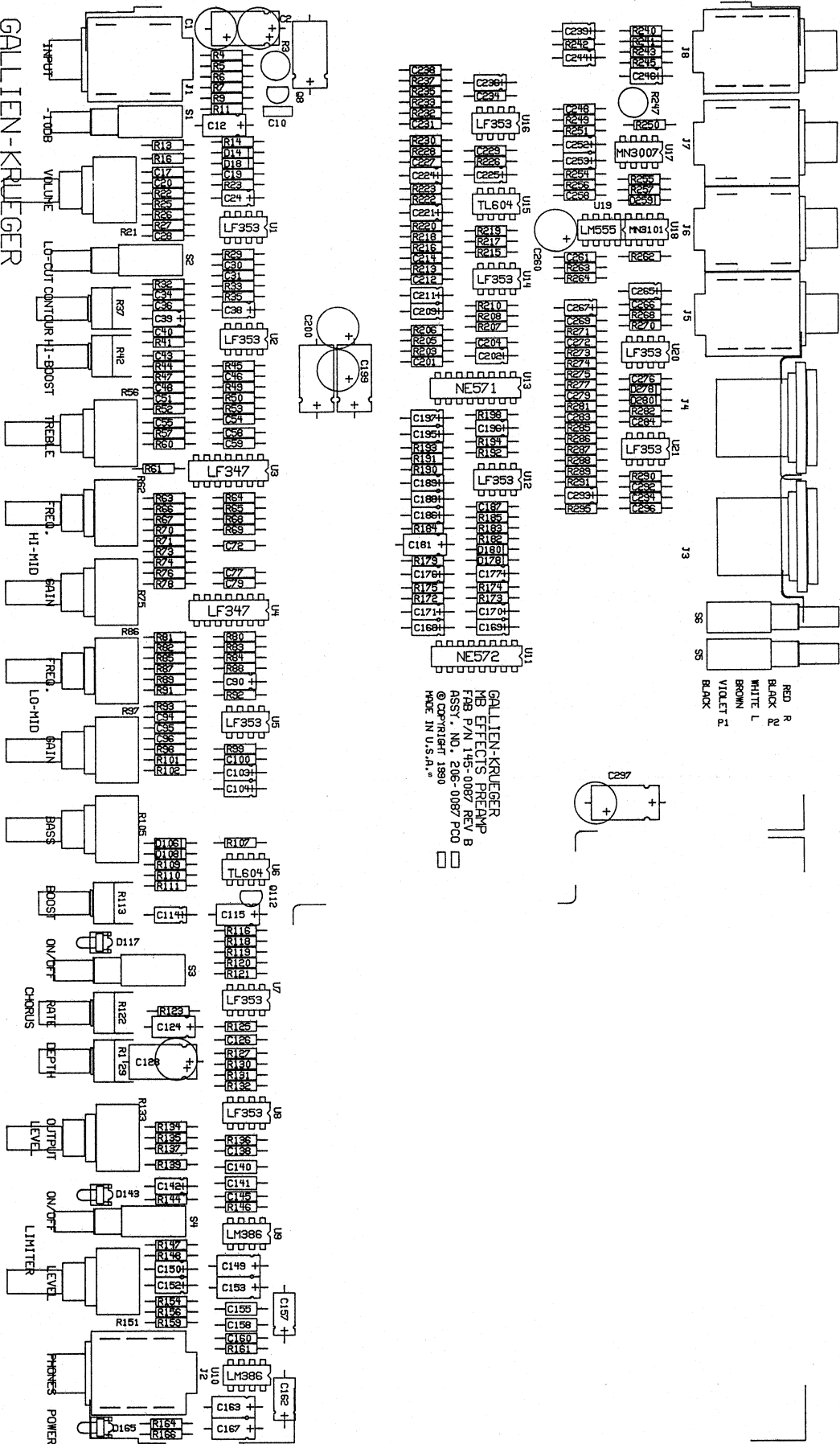
- NOTES: UNLESS OTHERWISE SPECIFIED,
- 1. RMS VOLTAGE WITH 1KHZ 5MV (-46DBV) INPUT.
 - 2. SWITCHES OUT SMALL KNOBS ON 0. VOLUME, EQ AND MASTER ON 10.

PCO#	DATE	MODEL #:	DATE:	DESCRIPTION: MB EFFECTS PREAMP
		MB-E PREAMP	8/31/95	INPUT, FILTERS, EQ, BOOST
		DESIGNED BY:	REV#: DATE	FOR: (COMPANY)
		M.P.J.	406-0087-C/D	GALLIEN-KRUEGER
		DBF:		
		GK687C		



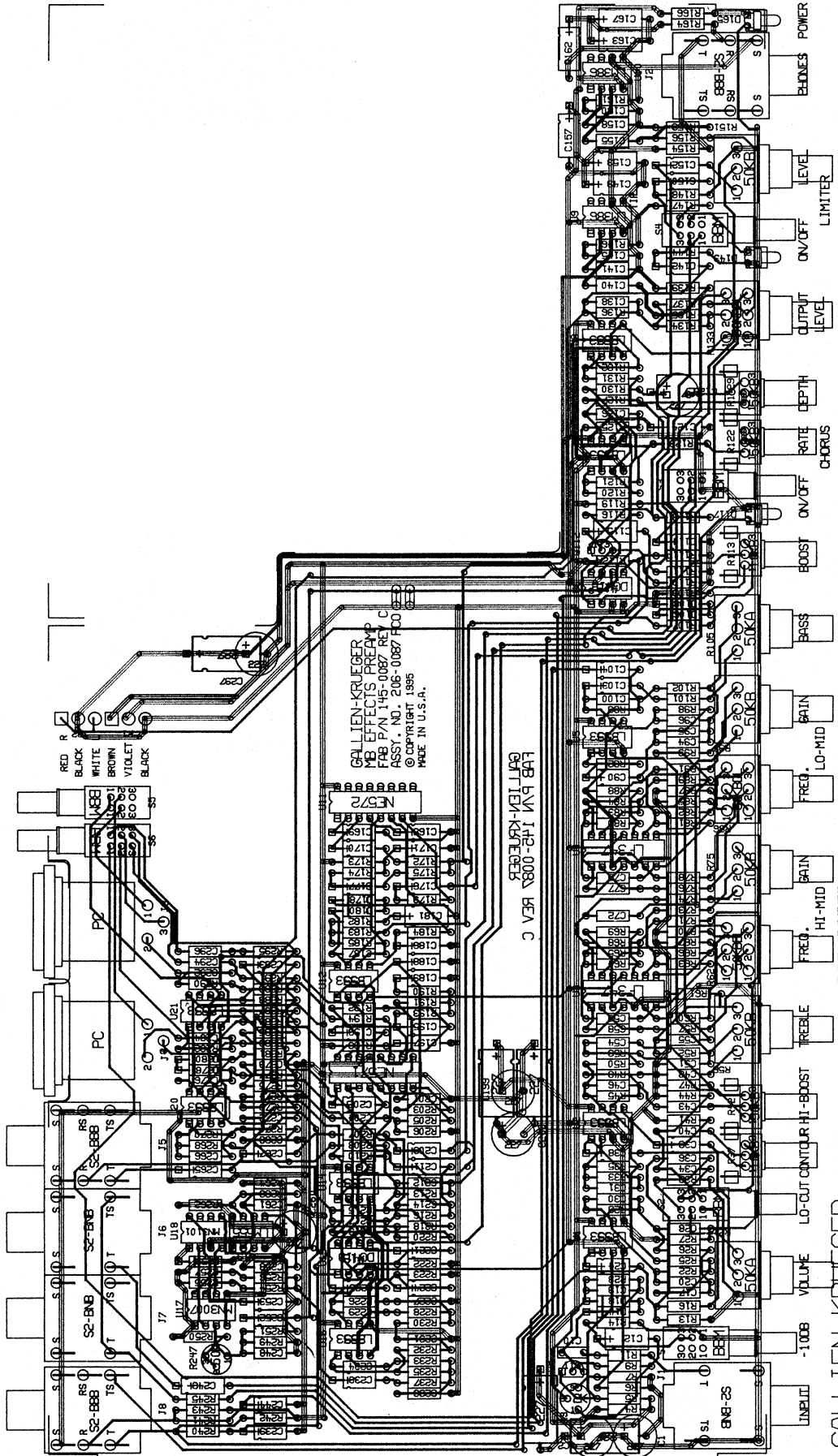
DESCRIPTION: MB EFFECTS' PREAMP CHORUS, LIMITER, OUTPUTS
DATE: 8/31/95
MODEL #: 408-441-8081
DESIGNED BY: M.P.J.
DBF: GK687C
REV#: 406-0087-C
FOR: (COMPANY)
GALLIEN-KRUEGER

GALLIEN-KRUEGER
403-8790 REV B



GALLIEN-KRUEGER		MODEL #:	DATE:	DESCRIPTION:
CIRCUIT BOARD ARTWORK		MR-E PREAMP	2-8-91	MICRO-BASS EFFECTS PREAMP
		DESIGNED BY:	BOARD #:	REV#-DATE:
		M.P.J.	50087B	6 - 2/91
			FROM SN:	TO SN:

GALLIEN-KRUEGER
M.B. EFFECTS PREAMP
P/N 145-0087 REV B
RSTT. NO. 206-0087 P.O.
© COPYRIGHT 1990
MADE IN U.S.A.



RED
BLACK
WHITE
BROWN
VIOLET
BLACK

GALLIEN-KRUEGER
MB EFFECTS PREAMP
FAB P/N 145-0087 REV C
ASSY. NO. 206-0087 F00
© copyright 1995
MADE IN U.S.A.

LAB P/N 145-0087 REV C
GALLIEN-KRUEGER

GALLIEN-KRUEGER
403-0087 REV C

BOARD 330J02
COMPONENT TRACE

MODEL #:	DATE:	DESCRIPTION:
MB-E. PREAMP	2/14/95	MICRO-BASS EFFECTS PREAMP
DESIGNED BY:	BOARD #:	REV#-DATE:
M.P.J.	403-0087-C	-
CIRCUIT BOARD ARTWORK:	DBF:	FOR: (COMPANY)
50087C		GALLIEN-KRUEGER

LINEOUT

VOLUME

LO-CUT CONTOR

HI-BOOST

TREBLE

FREQ.

HI-MID

BALN

FREQ.

LO-MID

BALN

BOOST

ON/OFF

RATE

DEPTH

CHORUS

OUTPUT

LEVEL

ON/OFF

LIMITER

LEVEL

POWER

50K

50K

50K

50K

50K

50K

50K

50K

50K

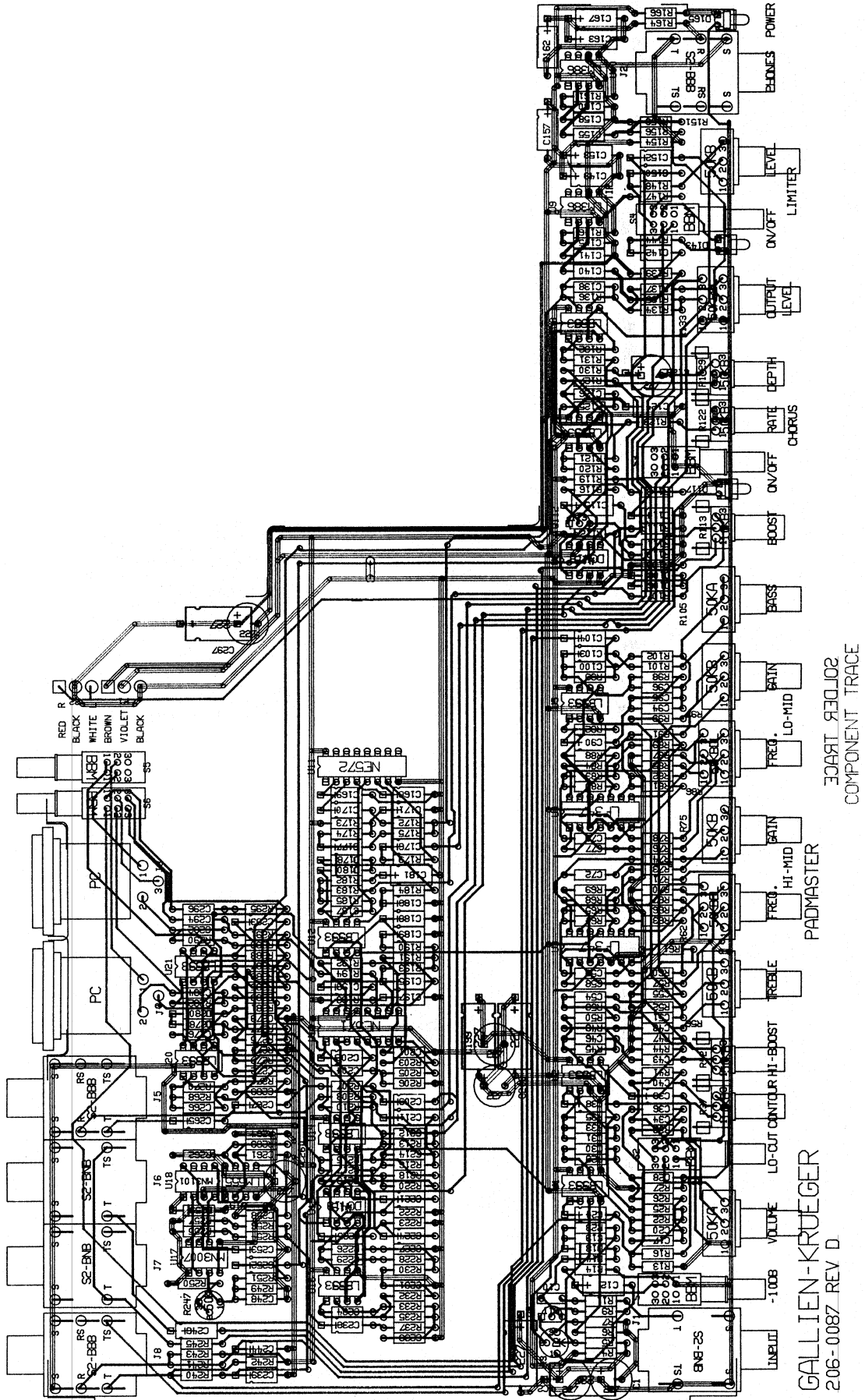
50K

50K

50K

50K

50K

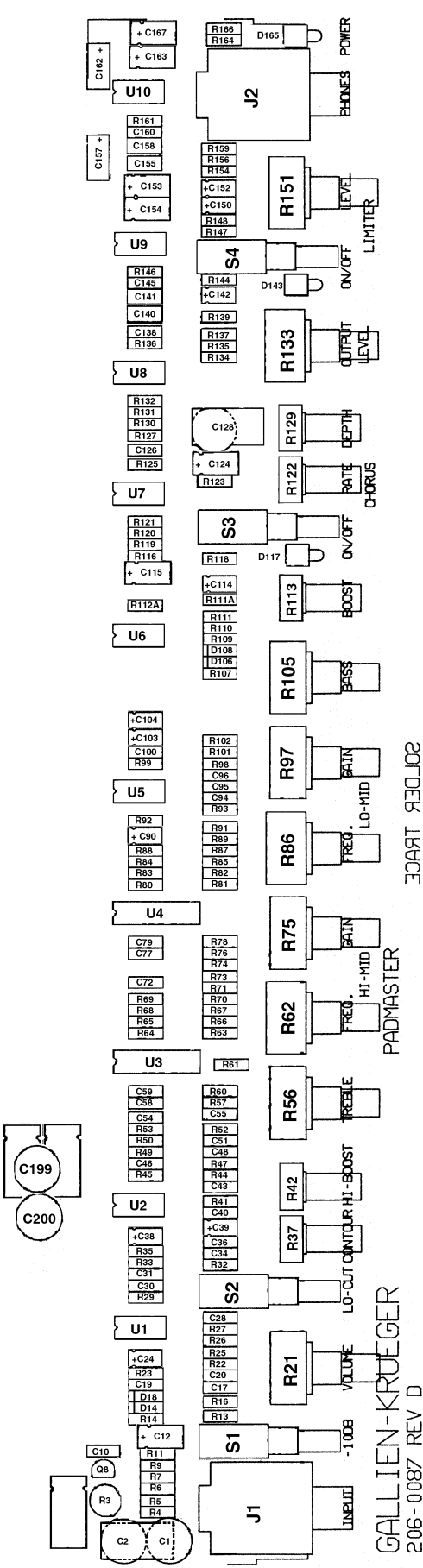
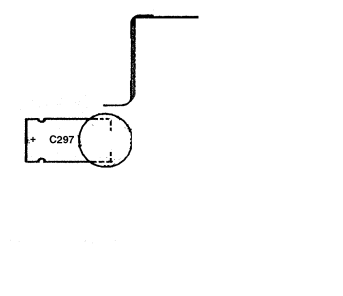
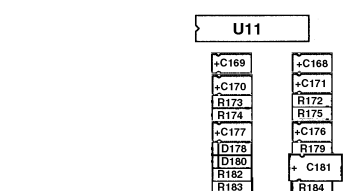
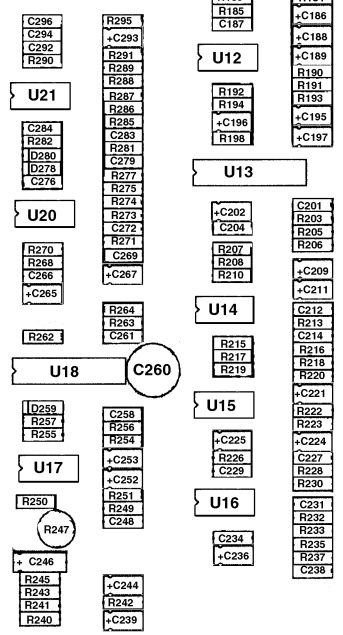
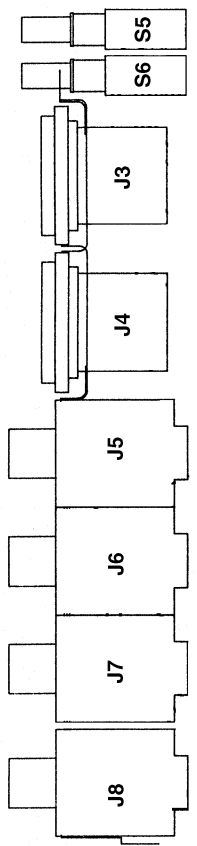


GALLIEN-KRUEGER
206-0087-REV D

BOARD TRACE
COMPONENT TRACE

GALLIEN TECHNOLOGY 408-441-8081 2240 PARAGON, SAN JOSE, CA 95131	MODEL #: MB-E PREAMP	DATE: 1-3-96	DESCRIPTION: MICRO-BASS EFFECTS PREAMP
CIRCUIT BOARD ARTWORK	DESIGNED BY: M.P.J.	BOARD #: 403-0087-D	REV#-DATE FOR: (COMPANY) GALLIEN-KRUEGER

- RED
 - BLACK
 - WHITE
 - BROWN
 - VIOLET
 - BLACK
- P2
- P1



GALLIEN-KRUEGER
206-0087 REV D

BOARD REV D
COMPONENT TRACE

DESCRIPTION: MICRO-BASS EFFECTS PREAMP	DATE: 1-3-96	MODEL #: MB-E PREAMP	DATE: 1-3-96
FOR: (COMPANY) GALLIEN-KRUEGER	REV#-DATE# -	DESIGNED BY: M.P.J.	BOARD #: 403-0087-D
CIRCUIT BOARD ARTWORK		DBF: GK587D	

GALLIEN-KRUEGER		PRODUCTION CHANGE ORDER		PCO#: 21			
DATE: 5/4/94		ASSEMBLY #: 303-0010 → 303-0011 ^{remarks}		MODEL#: Micro Bass			
ASSEMBLY DESCRIPTION: Micro Bass Combo - All Versions				PAGE 1 OF 1			
AFFECTS OPTIONS: <input checked="" type="checkbox"/> ALL <input type="checkbox"/> 100V <input type="checkbox"/> 120V <input type="checkbox"/> 220V <input type="checkbox"/> 240V <input type="checkbox"/> 50HZ <input type="checkbox"/> 60HZ							
TYPE OF CHANGE: <input type="checkbox"/> NECESSARY TO THE FUNCTION OF THE UNIT <input checked="" type="checkbox"/> IMPROVEMENT OR ADDITION TO THE UNIT <input type="checkbox"/> OTHER _____							
CHANGE TO BE IMPLEMENTED TO: <input checked="" type="checkbox"/> NEXT PRODUCTION RUN <input checked="" type="checkbox"/> ALL UNITS IN PRODUCTION <input type="checkbox"/> ALL UNITS IN STOCK <input type="checkbox"/> ALL UNITS BEING SERVICED <input type="checkbox"/> OTHER _____			REMARKS: Other Assy #'s affected: 303-0005 → -0006 only Combos, Heads unchanged 303-1010 → -1011 303-1005 → -1006 303-2010 → -2011 303-2005 → -2006				
BEGINNING SERIAL NUMBER AFFECTED:							
DESCRIPTION OF CHANGE: <input type="checkbox"/> SEE PCO SUPPLEMENTS <input type="checkbox"/> CONTINUED ON PCO SUPPLEMENT PAGE _____ change from a switching supply to a linear supply. This eliminates board 206-0071-E and replaces it with 206-0084-A. At the same time, the back will be modified with a series of holes to accept a linear transformer, and we will add a rubber piece of 1.5" D x 2.7" H to reduce cabinet vibrations. The power amp board, 206-0081-D gets modified to become a 206-0086-D. Also remove steel shield around power supply.							
REASON FOR CHANGE: To change to a more reliable linear power supply.							
PARTS ADDED			PARTS DELETED				
PART#	DESCRIPTION	QTY.	REF. DES.	PART#	DESCRIPTION	QTY.	REF. DES.
206-0084-A	MB pwr d.s+ bd.	1		206-0071-E	MB pwr supply	1	
206-0590-A	MB transformer	1		206-0081-D	MB Head p. or amp	1	
206-0086-D	MB Combo pwr amp	1					
	1.5" D x 2.7" H rubber spacer	1					
<i>See new BOM for other misc. components & hardware changes</i>							
<input type="checkbox"/> CONTINUED ON PAGE _____			<input type="checkbox"/> CONTINUED ON PAGE _____				
AFFECTED AREAS	DONE BY	DATE	AFFECTED AREAS (CONT)	DONE BY	DATE		
<input checked="" type="checkbox"/> CIRCUIT SCHEMATIC	mg		<input type="checkbox"/>				
<input checked="" type="checkbox"/> BILL OF MATERIAL	mg		<input type="checkbox"/>				
<input type="checkbox"/> AUTO INSERTER			<input type="checkbox"/>				
<input type="checkbox"/> SAMPLE CHANGE			DOCUMENT DIST. LIST	# COPIES			
<input checked="" type="checkbox"/> TEST PROCEDURE	mg		<input type="checkbox"/> GK USA				
<input type="checkbox"/> COMP. CONTROL FORM			<input type="checkbox"/> SERVICE CENTERS				
<input type="checkbox"/> FAB DRAWING			<input type="checkbox"/> GK EUROPE				
<input type="checkbox"/> PUNCH PROGRAM			<input type="checkbox"/> GK CAMPBELL				
<input type="checkbox"/> PUNCH SAMPLE			<input type="checkbox"/> ENGINEERING				
<input checked="" type="checkbox"/> ASSEMBLY PROCEDURES	mg		<input type="checkbox"/> FABRICATION				
<input type="checkbox"/> ARTWORK			<input type="checkbox"/> PRODUCTION				
<input type="checkbox"/> SILKSCREEN TEMPLATE			<input type="checkbox"/> OUTSIDE SUPPLIERS				
<input type="checkbox"/>			<input type="checkbox"/>				
DRAWING(S) SHOWING MODIFICATION ATTACHED: <input checked="" type="checkbox"/> NO <input type="checkbox"/> YES - SPECIFY:							
WRITTEN BY: Michael Johns		DEPT: Eng		DATE: 5/5/94			
REVIEWED/APPROVED BY:		DEPT:		DATE:			

GALLIEN-KRUEGER PRODUCTION CHANGE ORDER PCO#: 22

DATE: 5/5/94 ASSEMBLY #: 206-0081-D → 206-0086-D MODEL#: Micro Bass

ASSEMBLY DESCRIPTION: Micro Bass Head power amp → (Combo) PAGE 1 OF 1

AFFECTS OPTIONS: ALL 100V 120V 220V 240V 50HZ 60HZ

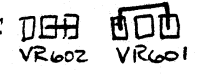
TYPE OF CHANGE:
 NECESSARY TO THE FUNCTION OF THE UNIT
 IMPROVEMENT OR ADDITION TO THE UNIT
 OTHER _____

CHANGE TO BE IMPLEMENTED TO:
 NEXT PRODUCTION RUN
 ALL UNITS IN PRODUCTION
 ALL UNITS IN STOCK
 ALL UNITS BEING SERVICED
 OTHER _____

REMARKS:
*This affects only the units being built as
 combos - heads stay the same. Adding a
 new number (206-0086-D) to system.*

BEGINNING SERIAL NUMBER AFFECTED:

DESCRIPTION OF CHANGE: SEE PCO SUPPLEMENTS CONTINUED ON PCO SUPPLEMENT PAGE _____

- Remove 104 cap going from gnd to chassis as well as the solder lug.
- Remove voltage regulators VR602 and VR601 as well as the plastic holders and #6 screws holding them.
- Wire across pads 2 & 3 from VR602 and pads 1 & 3 from VR601: 
- Remove R688 and C688A (1M & 105)

REASON FOR CHANGE:
*These changes are needed on the combo power amp board to make
 the unit work with the new linear supply.*

PARTS ADDED				PARTS DELETED			
PART#	DESCRIPTION	QTY.	REF. DES.	PART#	DESCRIPTION	QTY.	REF. DES.
					104 cap	1	??
					#4 solder lug	1	J
					105 cap	1	C688A
					1M res	1	R688
					LM7815	1	VR601
					LM7915	1	VR602 ^{more}
					T0220 holder	2	USEU
					#6 screw	2	J

CONTINUED ON PAGE _____ CONTINUED ON PAGE _____

AFFECTED AREAS	DONE BY	DATE	AFFECTED AREAS (CONT)	DONE BY	DATE
<input checked="" type="checkbox"/> CIRCUIT SCHEMATIC	mg		<input type="checkbox"/>		
<input checked="" type="checkbox"/> BILL OF MATERIAL	mg/RA		<input type="checkbox"/>		
<input checked="" type="checkbox"/> AUTO INSERTER			<input type="checkbox"/>		
<input checked="" type="checkbox"/> SAMPLE CHANGE			DOCUMENT DIST. LIST	# COPIES	
<input checked="" type="checkbox"/> TEST PROCEDURE			<input type="checkbox"/> GK USA		
<input type="checkbox"/> COMP. CONTROL FORM			<input type="checkbox"/> SERVICE CENTERS		
<input type="checkbox"/> FAB DRAWING			<input type="checkbox"/> GK EUROPE		
<input type="checkbox"/> PUNCH PROGRAM			<input type="checkbox"/> GK CAMPBELL		
<input type="checkbox"/> PUNCH SAMPLE			<input type="checkbox"/> ENGINEERING		
<input checked="" type="checkbox"/> ASSEMBLY PROCEDURES			<input type="checkbox"/> FABRICATION		
<input type="checkbox"/> ARTWORK			<input type="checkbox"/> PRODUCTION		
<input type="checkbox"/> SILKSCREEN TEMPLATE			<input type="checkbox"/> OUTSIDE SUPPLIERS		
<input type="checkbox"/>			<input type="checkbox"/>		

DRAWING(S) SHOWING MODIFICATION ATTACHED: NO YES - SPECIFY:

WRITTEN BY: *Mick...* DEPT: *Eng* DATE: 5/5/94

REVIEWED/APPROVED BY: *✓* DEPT: DATE: 7/28/99 SW

ENGINEERING CHANGE ORDER

CUSTOMER: Gallien Krueger

LEVEL: System

DATE: 3/3/95

DESC.: Micro Boss Power Dist. Board

Board

ORIGINATOR: M. Johnson

ASSY#: 206-0084-A

REV#: A

Fab

EFFECTIVE

PENDING

APPROVAL

INITIAL

DATE

Next production Run

All in Process

All in Stock

All being Serviced

Others:

Pending/Reject Reason:

Type of Change: Necessary

Improvement

Other:

Engineering

MJ

3/3/95

Material

Production

Fabrication

Marketing

Cost accounting

REASON FOR CHANGE:

Eliminate 2 Tabs & 2 Quick-Connects

AFFECTED AREA:

Schematic

Artwork

Bill of Material

Comp. Control Form

Assembly Drawing

Test Procedure

Fab Drawing

Silkscreen

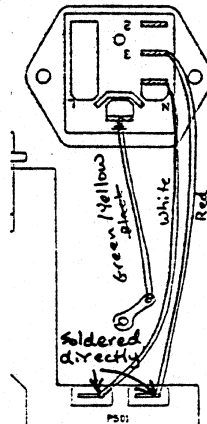
Punch Program

Continued on ECO supplement page _____

DESCRIPTION OF CHANGE:

Insert wires directly into board at location P501, white goes on left, red on right into holes that would be used for .250 quick connect tab.

also, change the color of the wire used for grounding. It should be green with a yellow stripe, if that is not available, use plain green.



Continued on ECO supplement page _____

TOTAL PARTS ADDED:

PART#	DESCRIPTION	QTY	REF.DES.

TOTAL PARTS DELETED:

PART#	DESCRIPTION	QTY	REF.DES.
092-0044	Quick-Conn. .250	2	(main assy)
092-0010	PC type .250 Tab	2	P501 (x2)

DISTRIBUTION:

Engineering

Material

Production

Fabrication

Others:

GALLIEN TECHNOLOGY

Tel: (408) 441-8081
Fax: (408) 441-8085

2240 Paragon Dr., San Jose, CA 95131

ECO# 30

ENGINEERING CHANGE ORDER

MODEL: MB150

TOMER: Gallien - Krueger
DESC: Micro Bass 150 ALL TYPES
ASSY# 303-1006, 1011, 0006, 0011 REV#

LEVEL: System
 Board
 Fab

DATE: 10-25-95
ORIGINATOR: J Benson

<input type="checkbox"/> EFFECTIVE	<input type="checkbox"/> PENDING	APPROVAL	INITIAL	DATE
<input checked="" type="checkbox"/> Next production Run	Pending/Reject Reason:	Engineering	<u>JKR</u>	<u>12/13/95</u>
<input type="checkbox"/> All in Process		Material		
<input type="checkbox"/> All in Stock	Type of Change: <input checked="" type="checkbox"/> Necessary <input type="checkbox"/> Improvement <input type="checkbox"/> Other:	Production		
<input type="checkbox"/> All being Serviced		Fabrication		
<input type="checkbox"/> Others:		Marketing		
		Cost accounting		

REASON FOR CHANGE:
Reduce Cabinet Vibrations

Continued on ECO supplement page _____

AFFECTED AREA:

Schematic

Artwork

Bill of Material JKR
11/27/95

Comp. Control Form

Assembly Drawing

Test Procedure

Fab Drawing

Silkscreen

Punch Program

DESCRIPTION OF CHANGE:
ADD RUBBER DAMPING BLOCK TO REAR PANEL THAT CONTACTS REAR OF SPEAKER. ASSEMBLE RUBBER FOOT TO AMATOM STANDOFF W 6-32 PHMS AND WASHER. SECURE STANDOFF TO MB150 BACK WITH 6-32 FHMS

Continued on ECO supplement page _____

TOTAL PARTS ADDED: 5				TOTAL PARTS DELETED:			
PART#	DESCRIPTION	QTY	REF.DES.	PART#	DESCRIPTION	QTY	REF.DES.
112-6361-0	SPACER, 2 1/4" HEX	1					
112-0061-0	B.1t 6-32 3/8 PHP	1					
112-7001-0	WASHER #6, FLAT	2 (4→6)					
100-0076-0	Foot, Rubber, Round	1 (4→5)					

DISTRIBUTION: Engineering Material Production Fabrication Others: Purchasing

ENGINEERING CHANGE ORDER

ECO#: 36

GALLIEN TECHNOLOGY
2240 Paragon Dr., San Jose, CA 95131

Tel: (408) 441-8081
Fax: (408) 441-8085

MODEL:
MB150S

CUSTOMER: Gallien-Krueger
DESC.: MB150S CE/Power Amp Mod 230V
ASSY#'s: 303-1006-0 Old Rev: 0
New Rev: 36

Level: System
 Board
 Fab

DATE: 12/15/98
ORIGINATOR:
Gallien
Checked by: _____

<input checked="" type="checkbox"/> EFFECTIVE	<input type="checkbox"/> PENDING	<input type="checkbox"/> RELATED ECO'S FOR:
<input checked="" type="checkbox"/> Next production Run	Pending/reject reason:	<input type="checkbox"/> Raw Board: _____
<input checked="" type="checkbox"/> All in Process		<input type="checkbox"/> Loaded Board: _____
<input checked="" type="checkbox"/> All in Stock	<input checked="" type="checkbox"/> Necessary change <input checked="" type="checkbox"/> Improvement	<input type="checkbox"/> Sheet Metal: _____
<input checked="" type="checkbox"/> All being serviced		<input type="checkbox"/> Heatsink: _____
<input type="checkbox"/>	<input type="checkbox"/>	<input type="checkbox"/> Main Assy: _____

Beginning Serial Number: E36150310 AFFECTED AREA: By: Date:

REASON FOR CHANGE:
Incorporate several board level ECO's to meet CE and improve overall reliability. To incorporate main asy level changes to reduce output transistor temp 30 Deg C improving reliability.

MB150S Preamp CE Mod, ECO 36
MB150 Power Supply CE Mod, ECO 38
MB150 Power Amp CE/Stability Mod, ECO 40
MB150 Power Amp Bias Mod, ECO 41

Continued on ECO Supplement Page

<input type="checkbox"/> Schematic	HF	12-23-98		
<input type="checkbox"/> Board Artwork				
<input checked="" type="checkbox"/> BOM				
<input type="checkbox"/> Reference Des.				
<input checked="" type="checkbox"/> Part Master File			HF	12-23-98
<input type="checkbox"/> Control Form				
<input checked="" type="checkbox"/> Assembly Dwg.				
<input type="checkbox"/> Test Procedure				
<input type="checkbox"/> Fab Drawing				
<input type="checkbox"/> Silkscreen				
<input type="checkbox"/> Punch Program				
<input type="checkbox"/> Auto Insert Pgm				
<input checked="" type="checkbox"/> Service Manual				

DESCRIPTION OF CHANGE:

Remove .833 of rubber insulator tape.
Add greased mica insulators to all outputs.
Add #4 split washers to all output mounting points.
Remove #4 flat washer from Q759. The shield 132-0540-0 serves the same purpose.

Delete 206-1061-D, and add 206-0061D
Delete 206-1084-A, and add 206-0084-A
Delete 206-1086-D, and add 206-0086-D

Gallien

TECHNOLOGY

Document Control

Released For Manufacturing

Date: 12 / 23 / 98

Issued To: QA

Void for production use if changed or copied. Valid only if this stamp is red.

Continued on ECO Supplement Page

DISTRIBUTION:

<input checked="" type="checkbox"/> Service Centers
<input checked="" type="checkbox"/> Engineering <i>RAD</i>
<input type="checkbox"/> Purchasing
<input checked="" type="checkbox"/> Main Assembly <i>MS</i>
<input type="checkbox"/> P.C. Assy <i>fan</i>
<input checked="" type="checkbox"/> Q.A.
<input type="checkbox"/> Fabrication
<input checked="" type="checkbox"/> Cost Accounting <i>✓</i>
<input checked="" type="checkbox"/> Shipping
<input checked="" type="checkbox"/> Test <i>Galley JD 1 Am</i>
<input type="checkbox"/> Receiving

PAGE 2 OF 2

Drawing(s) attached

TOTAL PARTS ADDED: 13 TOTAL PARTS DELETED: 5

Part #:	Description	Qty.	Ref. Designator	Part #:	Description	Qty.	Ref. Designator
105-0010-0	Mica insulator	4	On Q759,783,808 and Q824	105-0001-0	Rubber Ins Tape	0.833	
105-0004-0	TO-220 Mica Ins.	2	On Q528, Q534	111-7021-0	Washer #4 flat	1	On Q759
111-7011-0	#4 Split Washer	4	On Q759,783,808 and Q824				
206-0061-D	MBS Pre Amp	1		206-1061-D	MBS Pre Amp	1	
206-0084-A	MB150 Supply	1		206-1084-A	MB150 Supply	1	
206-0086-D	MB150 Pwr Amp	1		206-1086-D	MB150 Pwr Amp	1	

