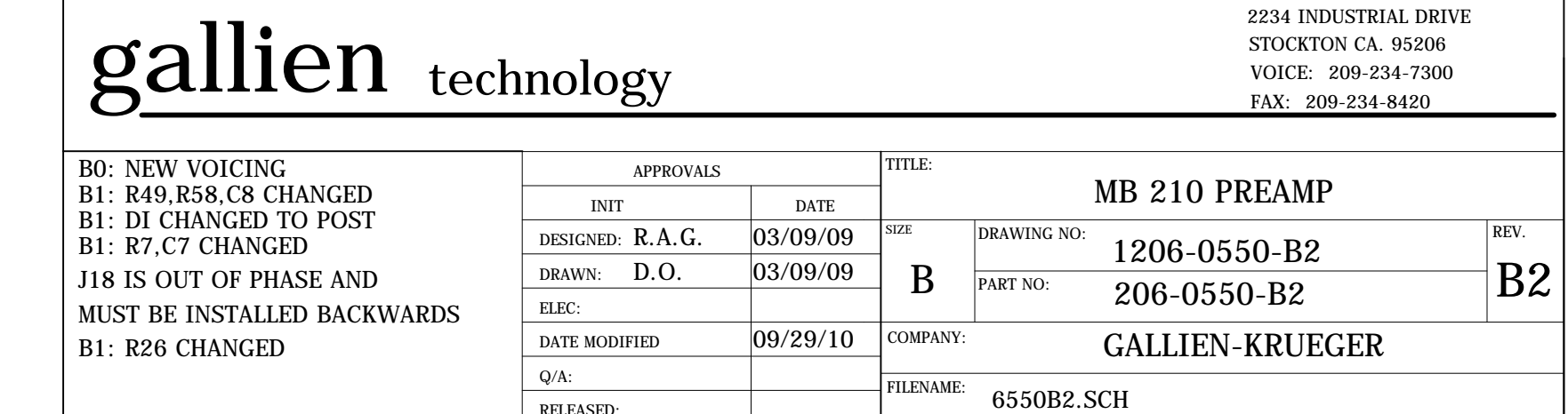
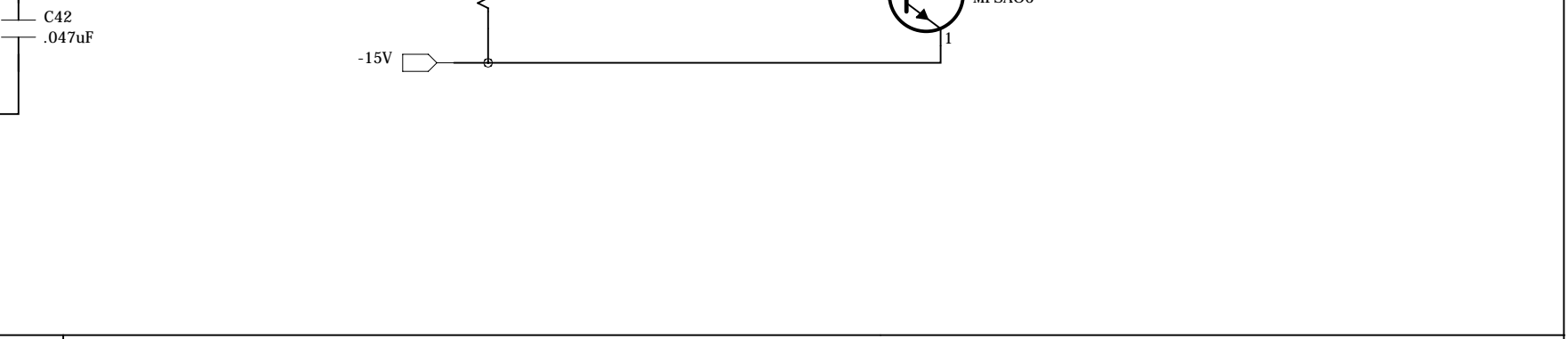
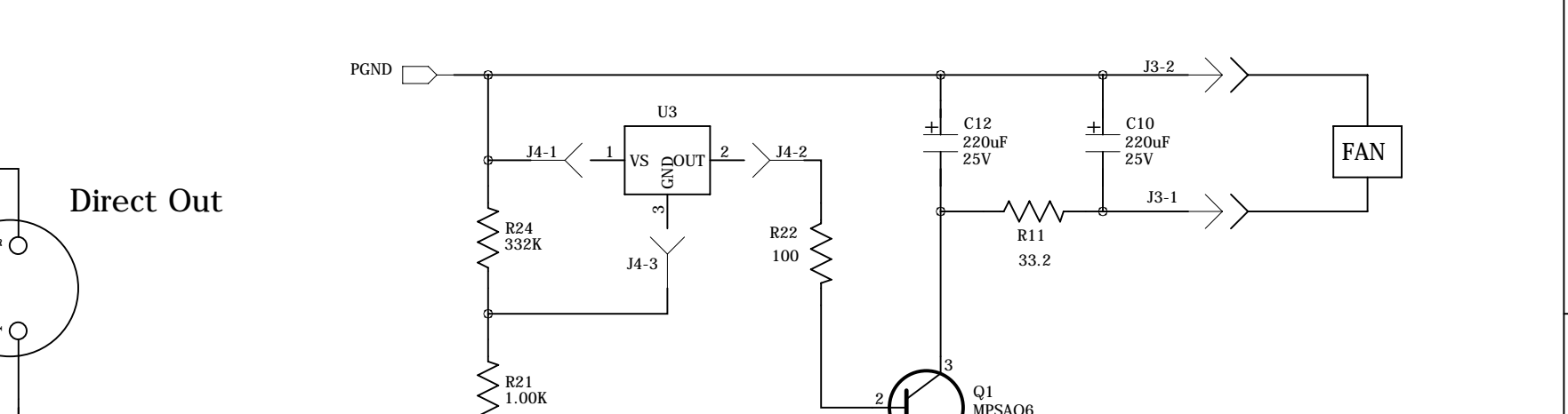
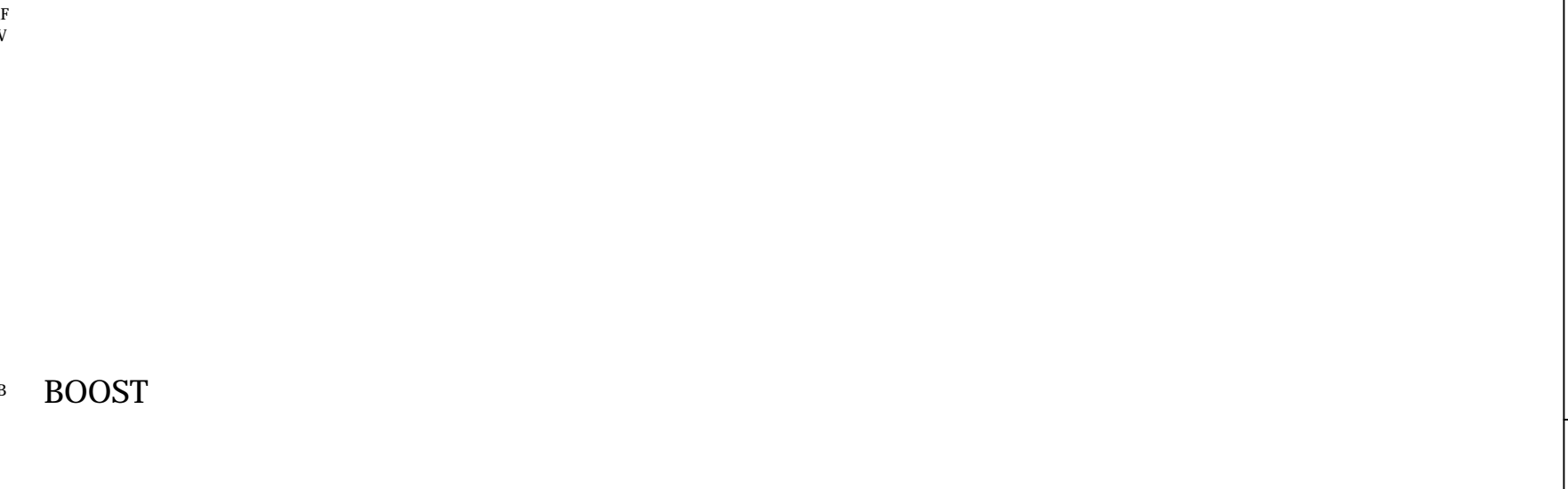
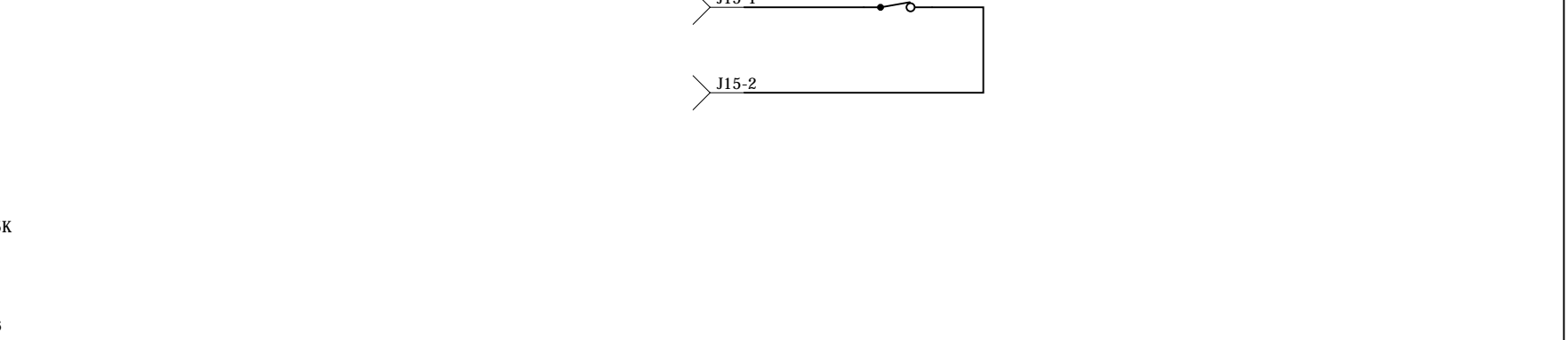
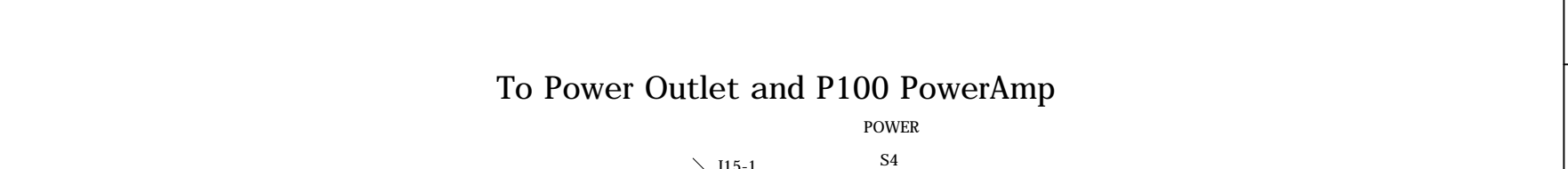
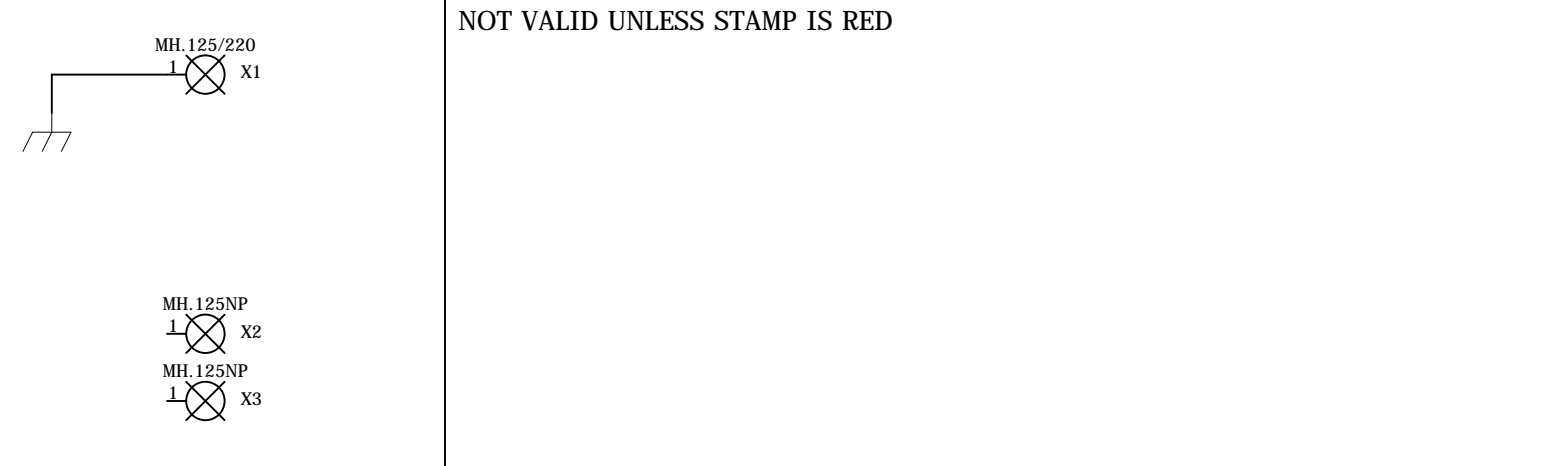
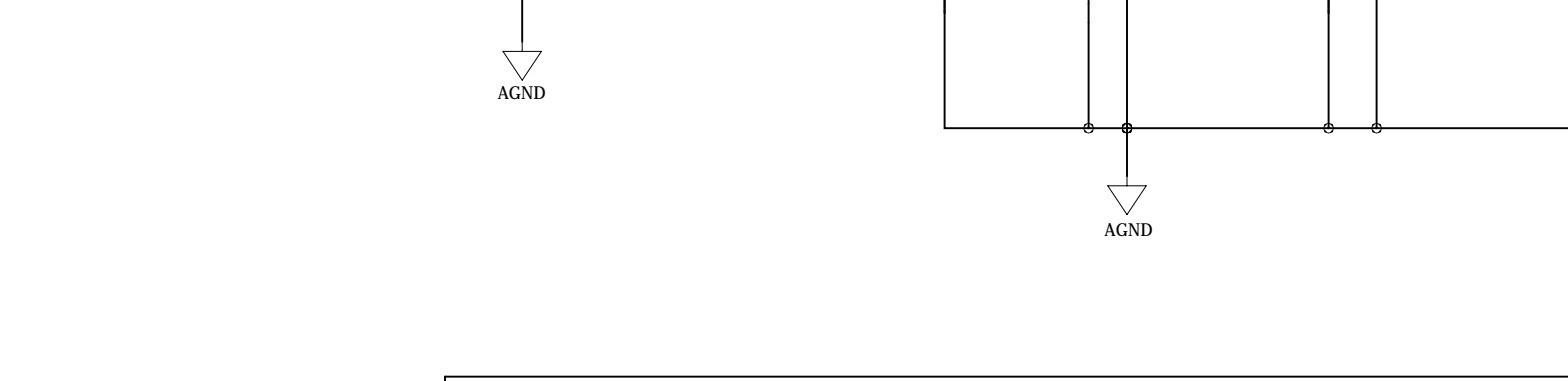
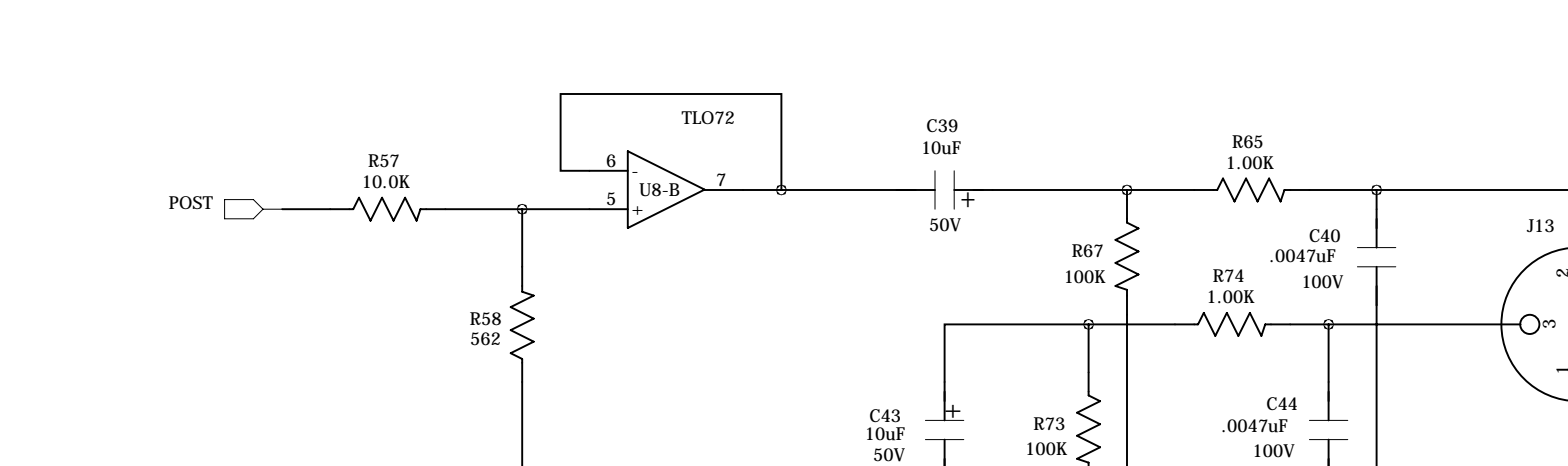
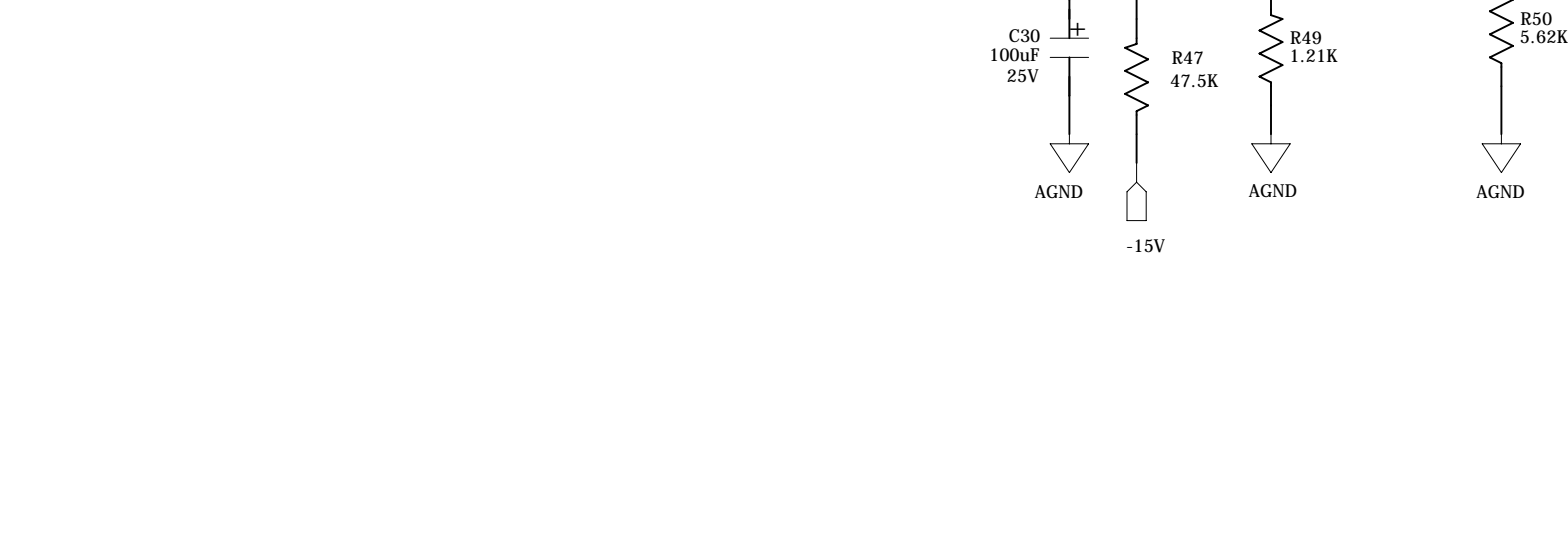
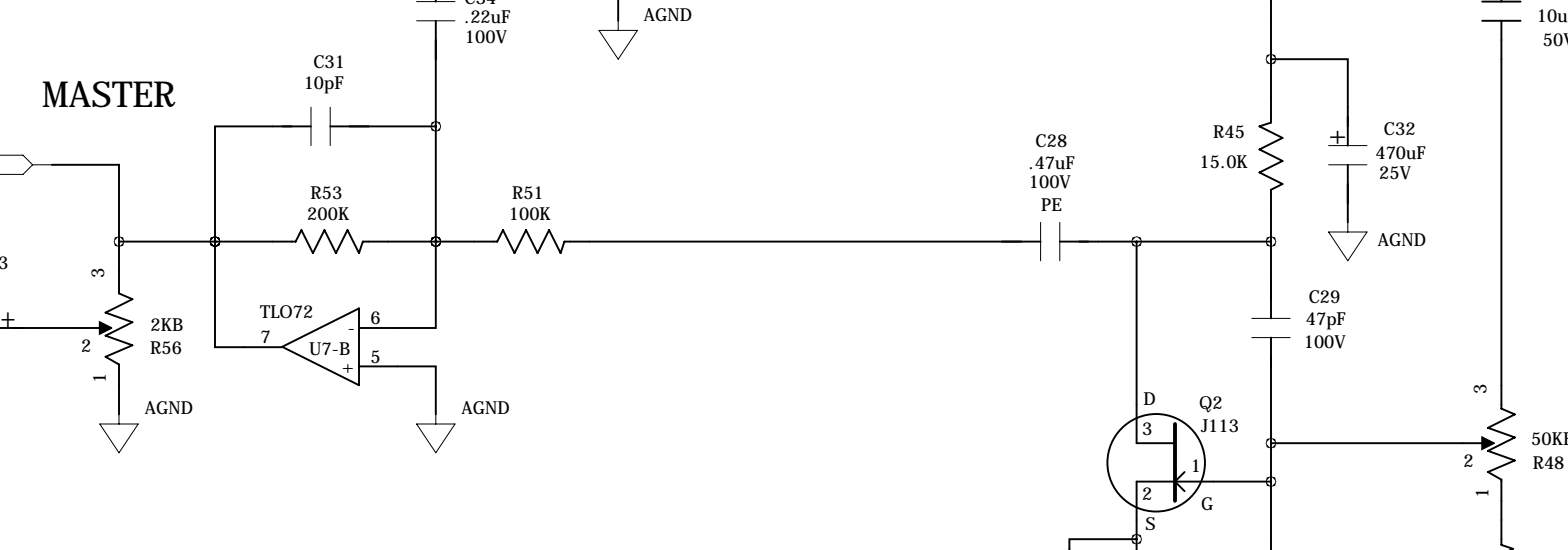
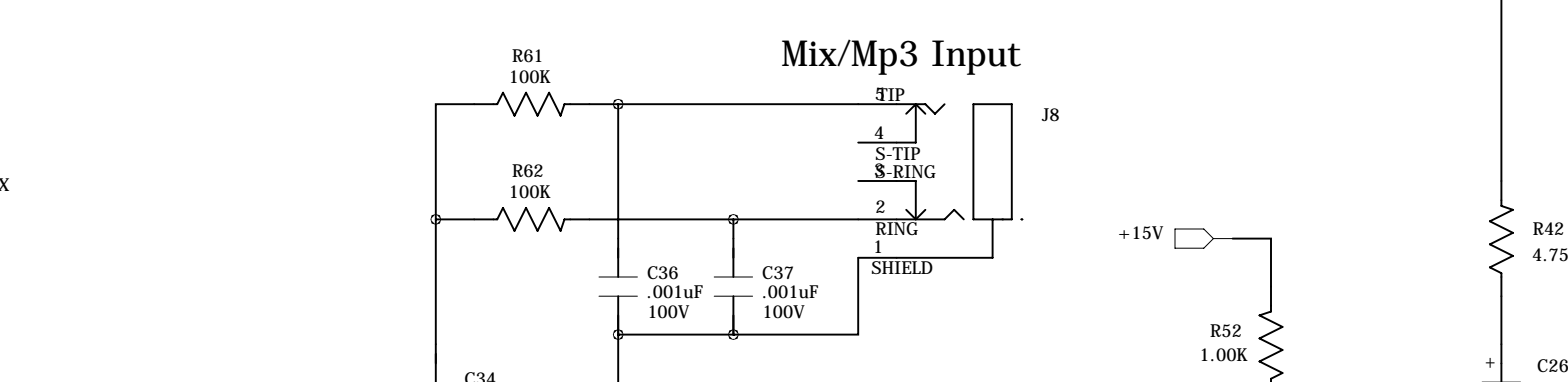
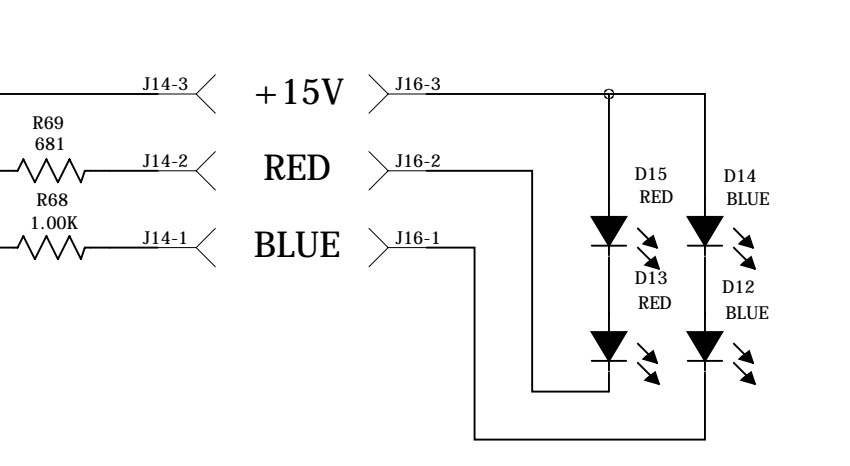
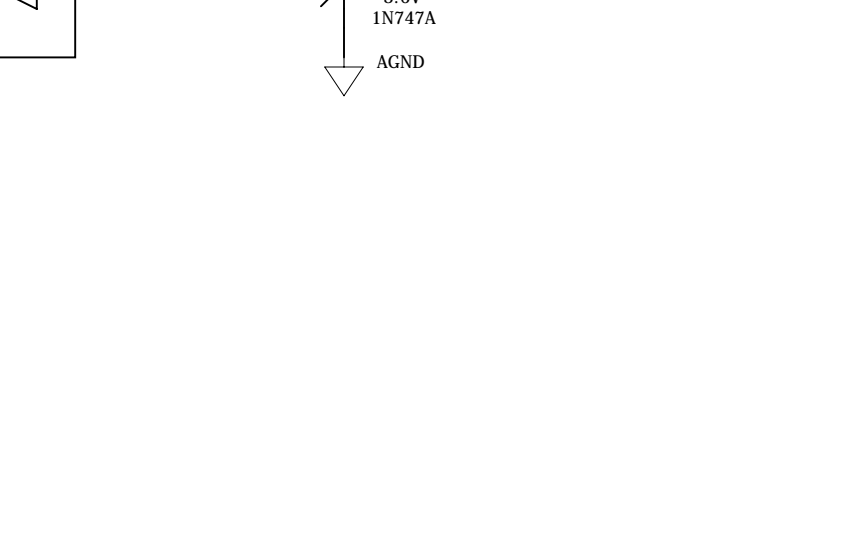
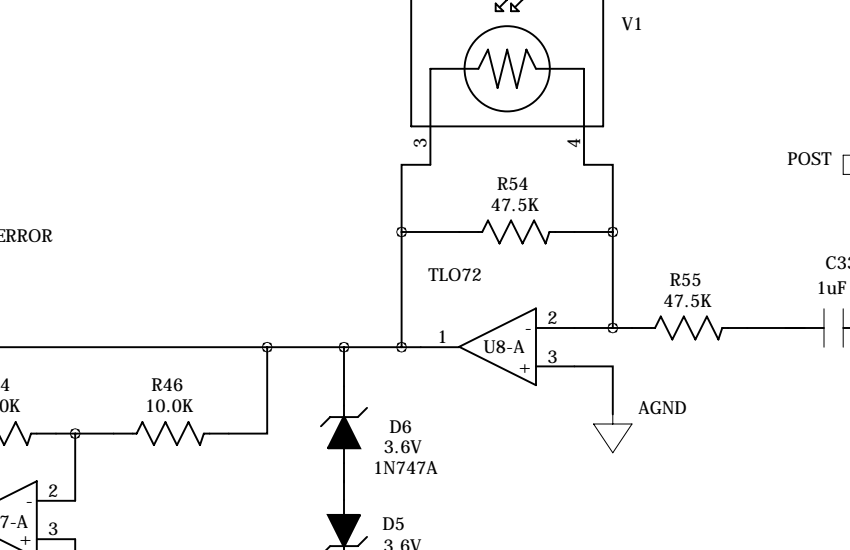
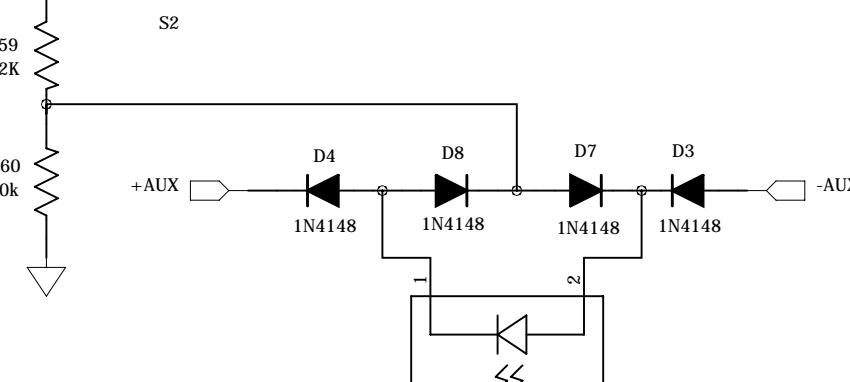
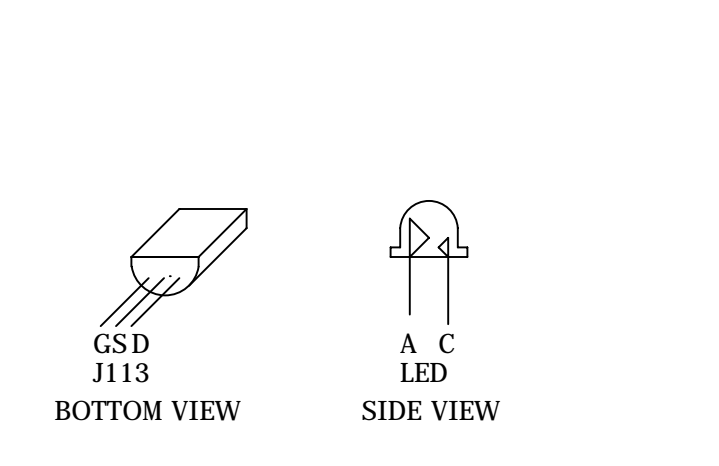
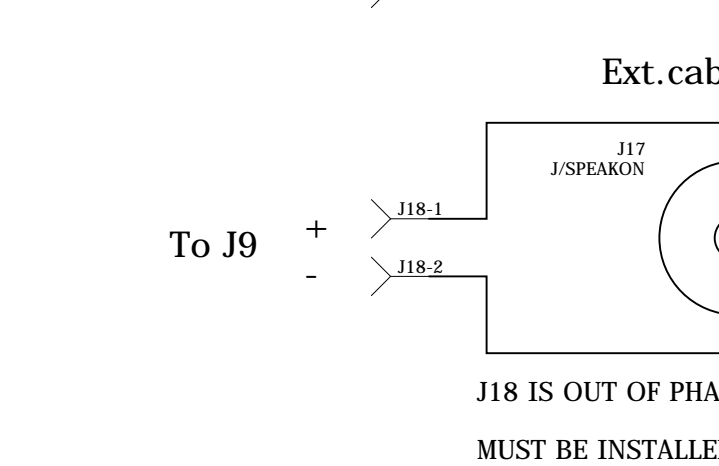
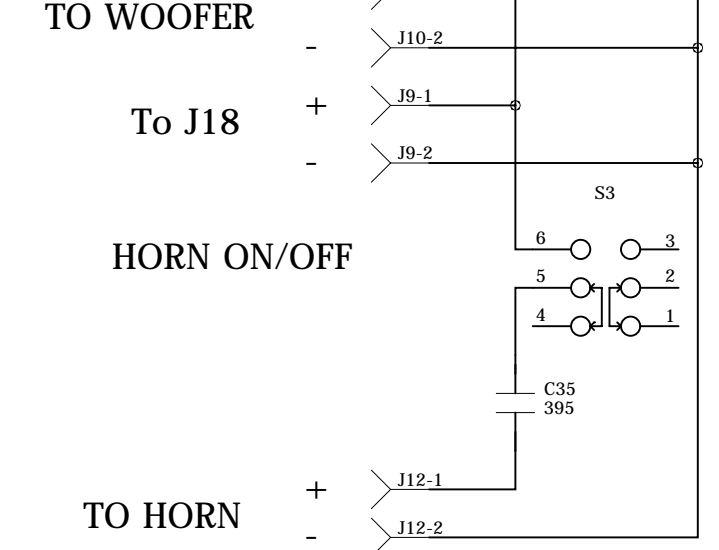
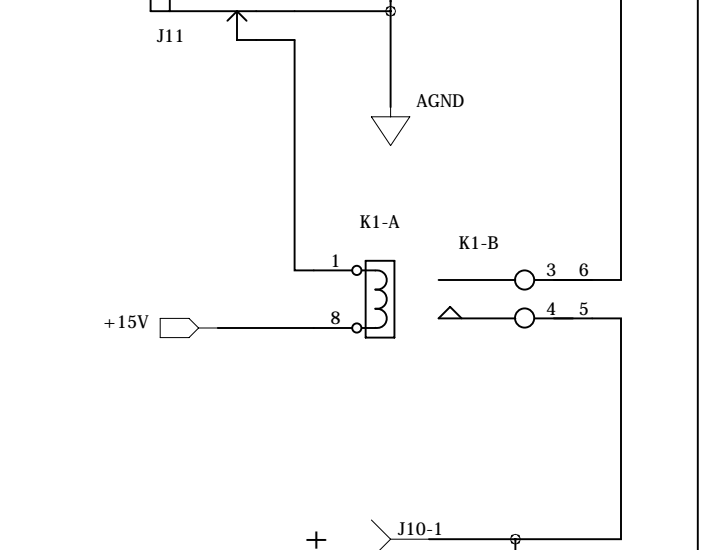
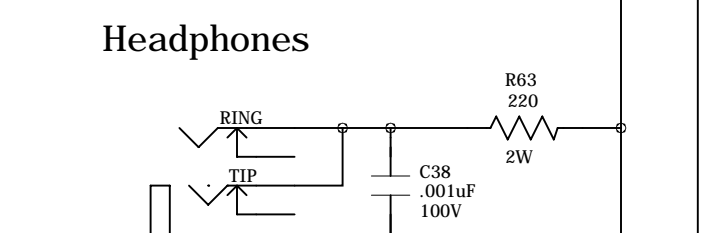
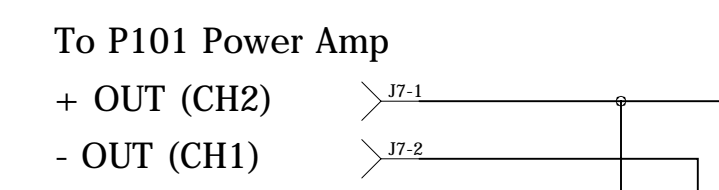
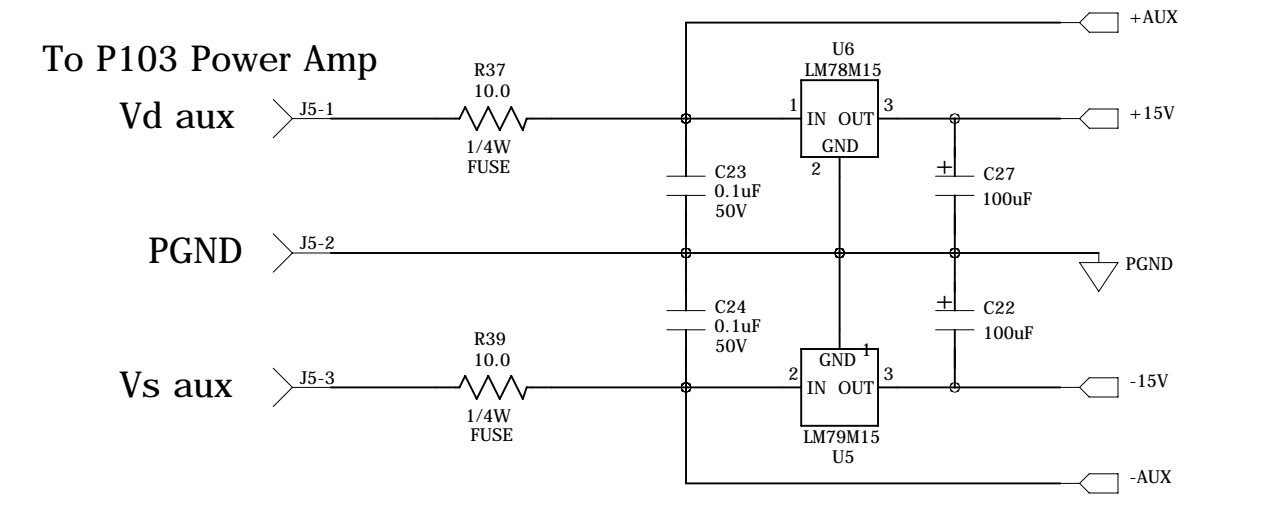
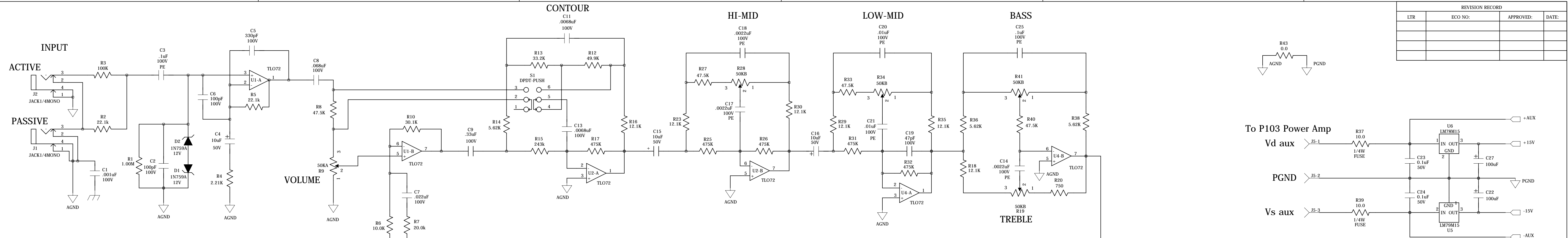


REVISION RECORD			
LTR	ECO NO.	APPROVED	DATE



NOT VALID UNLESS STAMP IS RED

**gallien technology**

2234 INDUSTRIAL DRIVE  
STOCKTON CA. 95206  
VOICE: 209-234-7300  
FAX: 209-234-8420

TITLE: **MB 210 PREAMP**

DESIGNED: R.A.G. 03/09/09  
DRAWN: D.O. 03/09/09  
DATE MODIFIED: 09/29/10  
RELEASED:

APPROVALS:

COMPANY: **GALLIEN-KRUEGER**

FILENAME: 6550B2.SCH

REV. **B2**

DRAWING NO: 1206-0550-B2  
PART NO: 206-0550-B2

BO: NEW VOICING  
B1: R49, R58, C8 CHANGED  
B1: D1 CHANGED TO POST  
B1: R7, C7 CHANGED  
J18 IS OUT OF PHASE AND MUST BE INSTALLED BACKWARDS  
B1: R26 CHANGED