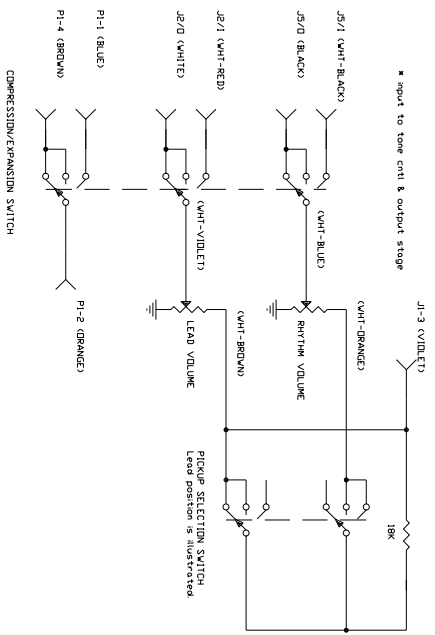


RD Artist switch wiring description:



NOTE:
 (1) Both compression and expansion effects are controlled by the same circuit.
 (2) P and J designations refer to plugs and jacks respectively.
 (3) P and J designations refer to mono and stereo connections for the specific plug/jack.
 (4) The green plug is connected to the ground signal.
 (5) The red plug is connected to the signal.
 (6) The blue plug is connected to the signal.
 (7) The brown plug is connected to the signal.