

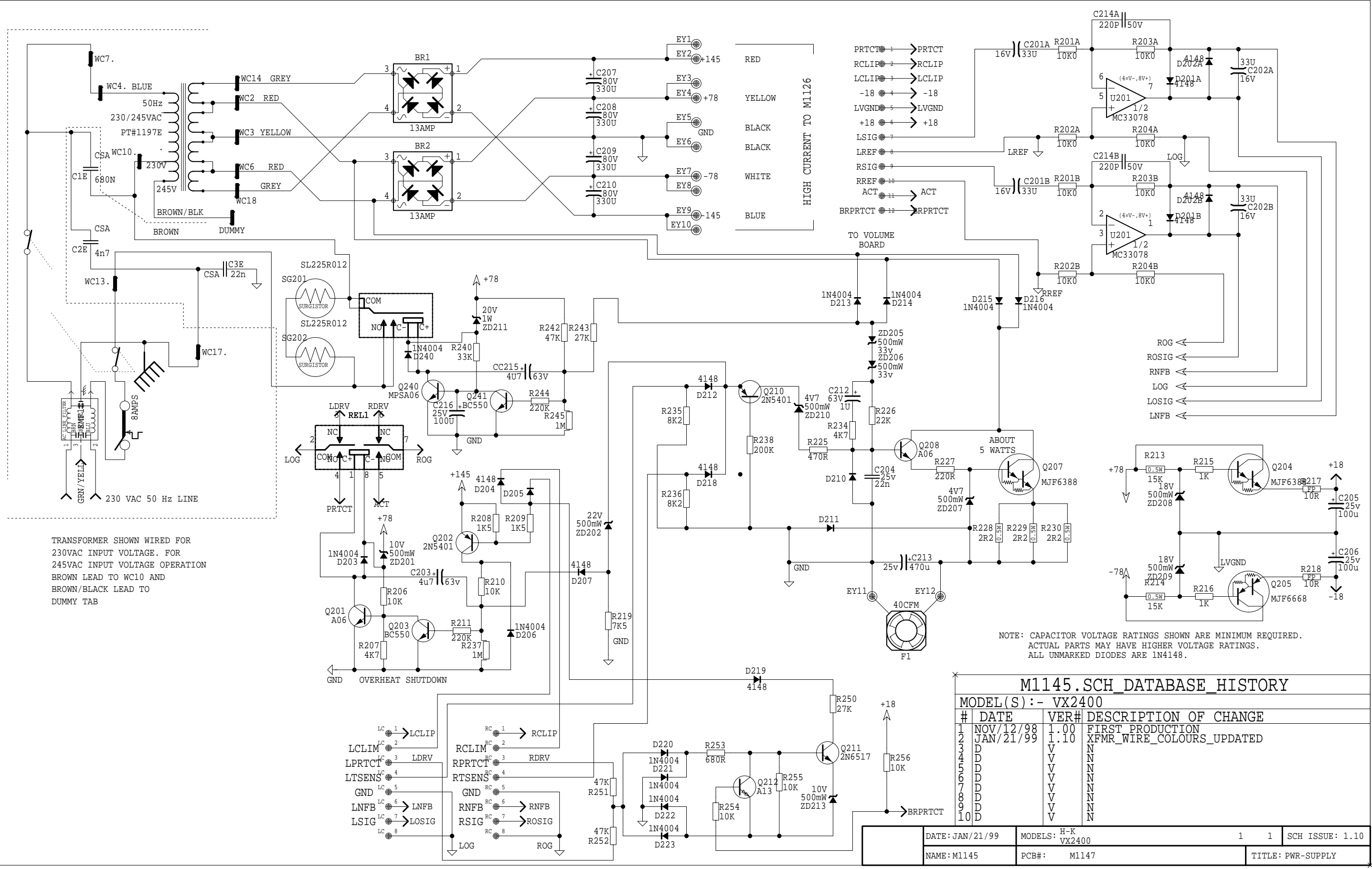
TRANSFORMER SHOWN WIRED FOR 230VAC INPUT VOLTAGE. FOR 245VAC INPUT VOLTAGE OPERATION REMOVE WHITE LEAD FROM EY3 AND ATTACH IT TO THE GREEN LEAD THEN SOLDER ORANGE LEAD TO EY3

NOTE: CAPACITOR VOLTAGE RATINGS SHOWN ARE MINIMUM REQUIRED. ACTUAL PARTS MAY HAVE HIGHER VOLTAGE RATINGS. ALL UNMARKED DIODES ARE 1N4148.

M1145.SCH_DATABASE_HISTORY

MODEL(S):- VX2400			
#	DATE	VER#	DESCRIPTION OF CHANGE
1	NOV/12/98	1.00	FIRST PRODUCTION
2		V	N
3		V	N
4		V	N
5		V	N
6		V	N
7		V	N
8		V	N
9		V	N
10		V	N

DATE: NOV/12/98	MODELS: H-K	1	1	SCH ISSUE: 1.00
NAME: M1145	PCB#: M1147			TITLE: PWR-SUPPLY

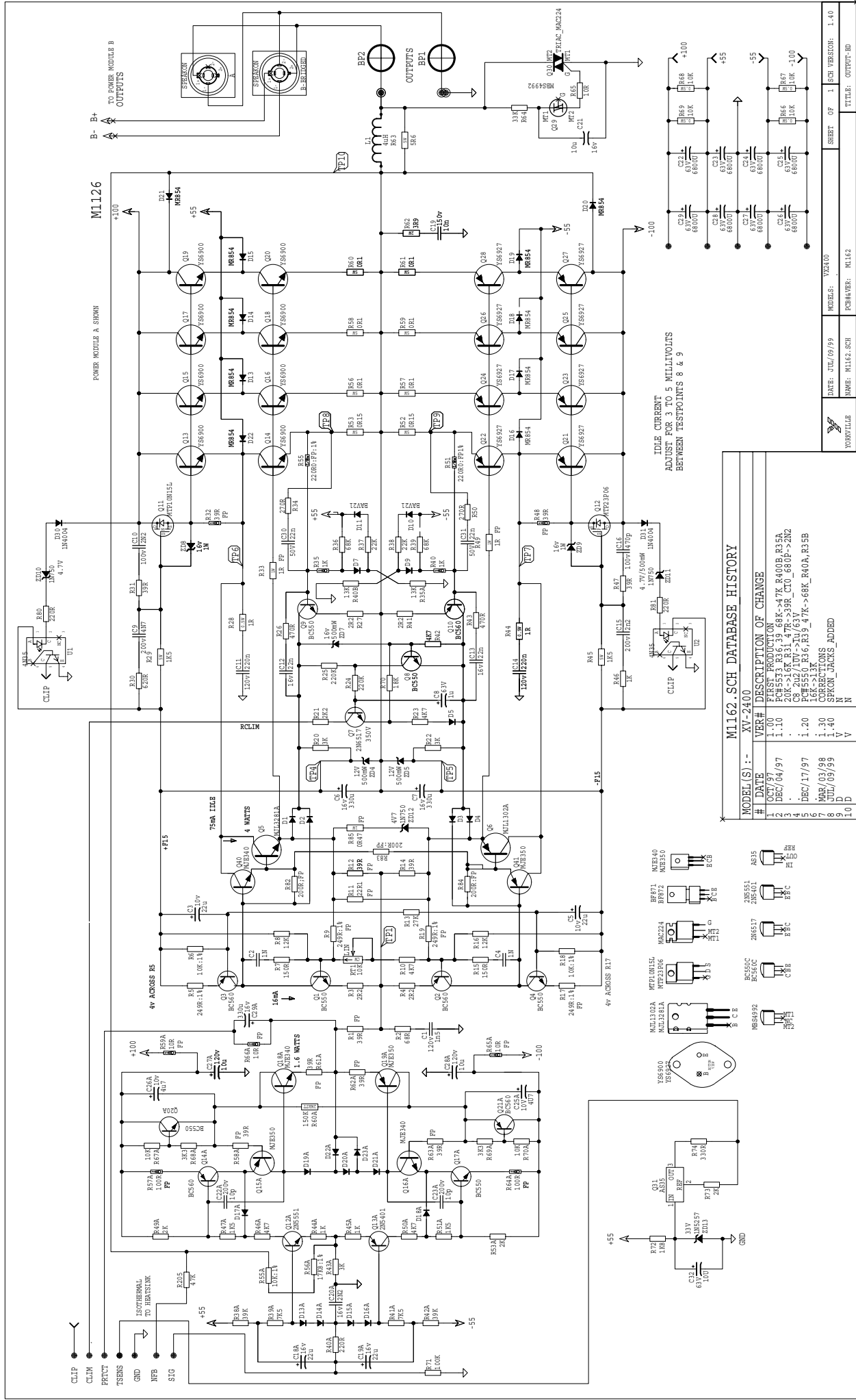


TRANSFORMER SHOWN WIRED FOR 230VAC INPUT VOLTAGE. FOR 245VAC INPUT VOLTAGE OPERATION BROWN LEAD TO WC10 AND BROWN/BLACK LEAD TO DUMMY TAB

NOTE: CAPACITOR VOLTAGE RATINGS SHOWN ARE MINIMUM REQUIRED. ACTUAL PARTS MAY HAVE HIGHER VOLTAGE RATINGS. ALL UNMARKED DIODES ARE 1N4148.

M1145.SCH_DATABASE_HISTORY			
MODEL(S) :- VX2400			
#	DATE	VER#	DESCRIPTION OF CHANGE
1	NOV/12/98	1.00	FIRST PRODUCTION
2	JAN/21/99	1.10	XFMR_WIRE_COLOURS_UPDATED
3	D	V	N
4	D	V	N
5	D	V	N
6	D	V	N
7	D	V	N
8	D	V	N
9	D	V	N
10	D	V	N

DATE: JAN/21/99	MODELS: H-K VX2400	1	1	SCH ISSUE: 1.10
NAME: M1145	PCB#: M1147	TITLE: PWR-SUPPLY		



MI126

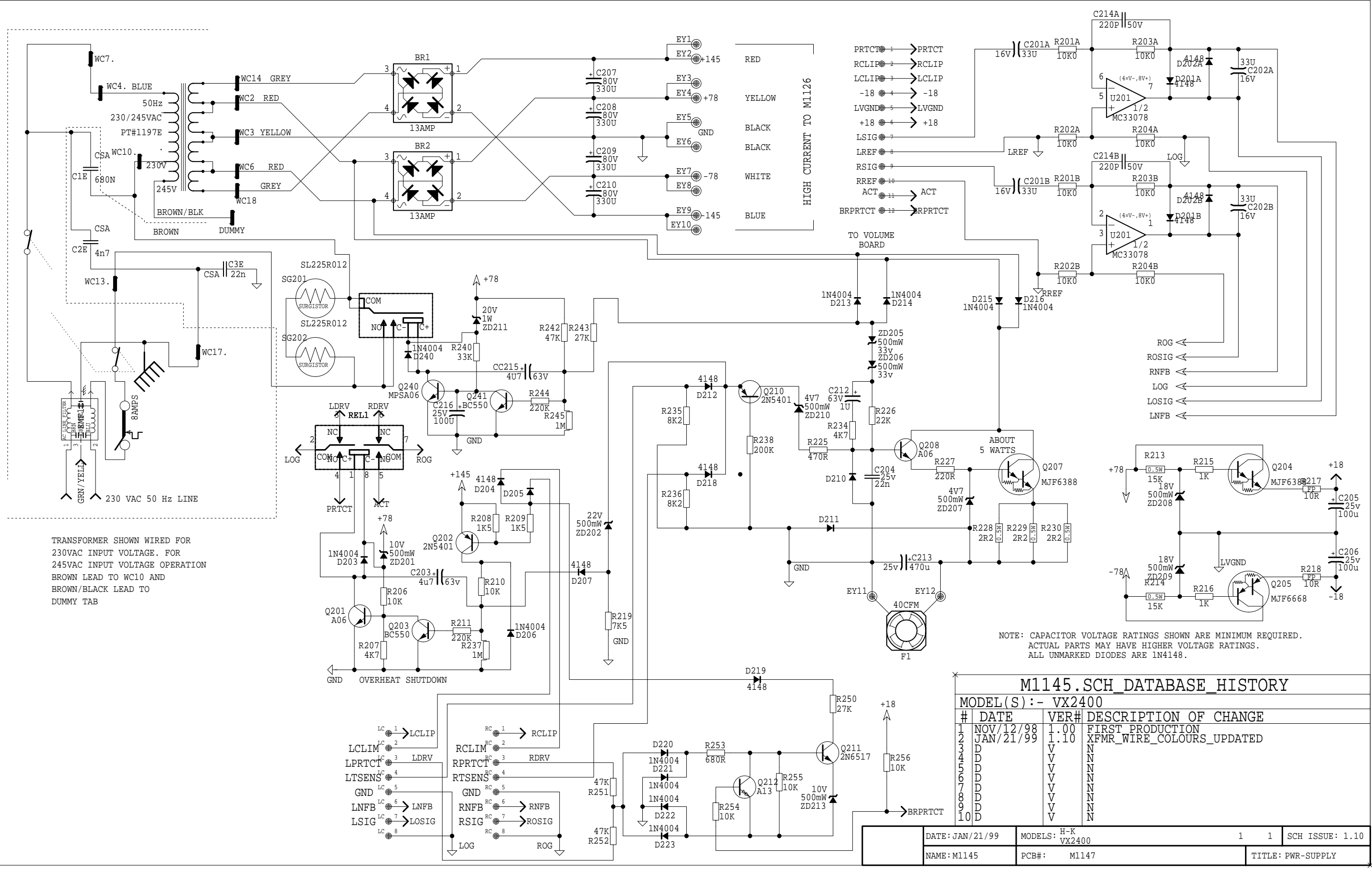
POWER MODULE AS SHOWN

B-24 TO POWER MODULE B OUTPUTS

IDLE CURRENT ADJUST FOR 3 TO 5 MILLIAMPS BETWEEN TESTPOINTS 8 & 9

M1162.SCH DATABASE HISTORY

MODEL(S)	DATE	VER#	DESCRIPTION OF CHANGE
XV-2400			
1	06/17/97	1.00	PCB5533 R36,39 68K->47K R400B,R35A
2	DEC/04/97	1.10	20K->10K R31,47R->35R,CTO_680P->2N2
3			CS_202/10V->10V/63V,16V->25V
4	DEC/17/97	1.20	16V->25V
5			16V->25V
6	MAR/03/98	1.30	CORRECTIONS
7	JUL/09/99	1.40	SPKON JACKS_ADDED
8			
9			
10			



TRANSFORMER SHOWN WIRED FOR 230VAC INPUT VOLTAGE. FOR 245VAC INPUT VOLTAGE OPERATION BROWN LEAD TO WC10 AND BROWN/BLACK LEAD TO DUMMY TAB

NOTE: CAPACITOR VOLTAGE RATINGS SHOWN ARE MINIMUM REQUIRED. ACTUAL PARTS MAY HAVE HIGHER VOLTAGE RATINGS. ALL UNMARKED DIODES ARE 1N4148.

M1145.SCH_DATABASE_HISTORY			
MODEL(S) :- VX2400			
#	DATE	VER#	DESCRIPTION OF CHANGE
1	NOV/12/98	1.00	FIRST PRODUCTION
2	JAN/21/99	1.10	XFMR_WIRE_COLOURS_UPDATED
3			
4			
5			
6			
7			
8			
9			
10			

DATE: JAN/21/99	MODELS: H-K VX2400	1	1	SCH ISSUE: 1.10
NAME: M1145	PCB#: M1147	TITLE: PWR-SUPPLY		