



# Service Documents

**Confidential, for authorized service technicians only!**  
**Do not disclose this information to or share these documents**  
**with third parties.**

**Vertraulich! Nur für autorisierte Servicetechniker!**  
**Nicht zur Weitergabe an Dritte freigegeben!**

## **Note!**

The components used in this product - particularly parts affecting safety as well as speakers and transformers - were developed and manufactured to certain specifications. Please use original spare parts only to ensure the product remains fully functional and safe.

## **Achtung!**

Die in diesem Produkt verwendeten Komponenten, insbesondere sicherheitsrelevante Teile, Lautsprecher und Transformatoren wurden nach spezifischen Vorgaben entwickelt und gefertigt. Bitte benutzen Sie ausschließlich Original-Ersatzteile – nur so ist die volle Funktionalität und Sicherheit gewährleistet.



### **TECHNICAL SERVICE:**

Stamer Musikanlagen GmbH • Magdeburger Str. 8 • 66606 St.Wendel • Germany  
Music & Sales P.E. GmbH • Leipziger Str. 3 • 66606 St.Wendel • Germany



## Directory

features			page:	3-7
drawing-numbers-example			page:	8
standard for single wire confection			page:	9
<u>HK2005-LUCAS Performer Satellite</u>			page:	10
exploded drawings:	complete	Rev.: A	page:	11-12
	front grille	Rev.: A	page:	13
	connector panel subassy.	Rev.: A	page:	14
	cabling	Rev.: A	page:	15-16
	crossover assembly	Rev.: A	page:	17-18
spare parts list		Rev.: A	page:	19-20
circuit diagrams	crossover	Rev.: A	page:	21
layout diagrams	crossover	Rev.: C	page:	22

## 1 L.U.C.A.S PERFORMER System Components

### Subwoofer

The L.U.C.A.S PERFORMER subwoofer's housing is split into two chambers. The front chamber serves as the speaker cabinet for the 15" direct-loaded loud-speaker, which has a power-handling capacity of 500 W RMS and a nominal impedance of 8 ohms. The active electronic circuitry, the power unit, controller and Class D power amps are housed in a separate compartment at the rear of the cabinet.

### Satellites

Satellites are loaded with a 8" HK Audio Custom speaker and a 1" compression driver with a 60° x 40° CD horn. They are rated for 200 W RMS power-handling capacity and a nominal impedance of 8 ohms.

The newly developed, integrated MonoTilt™ pole mount allows sound energy to be utilized with great efficiency. Troublesome ceiling reflections are minimized; the sound is clearer, tighter, and more focused.

Beyond that, the cabinet is stabilized at its center of gravity - no wobbling, tilting, or unintentional turning.

## 2 Transport

To transport the system, simply set the subwoofer on its casters and place the satellites onto the subwoofer with the foam-rubber grille side facing down. Secure the satellites, for example, using a locking strap. Use original HK Audio L.U.C.A.S PERFORMER protective covers to gear up your personal system for the rigors of the road. Amply padded and protected against moisture, your L.U.C.A.S PERFORMER is sure to deliver satisfying performance for a long time to come.

---

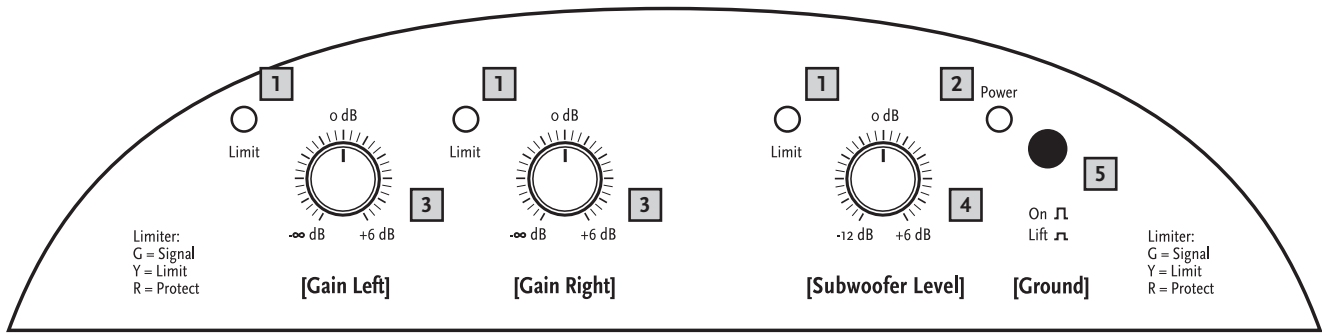
### More about Limiter LEDs

Dedicated LEDs, one each for the left and right signal path as well as for the subwoofer, display the limiter status for each of those paths.

What is this display telling me?

The green LED indicates that the input is receiving a signal. As long as the LED lights up green, the system is operating at low-to-medium levels, with plenty of headroom available for the power amps. The yellow LED may flash off and on, but it may not illuminate continuously.

If it does this, back off the volume on your mixer. Red indicates Protect status, that is, a malfunction or overload has occurred and the power amps have been muted as a precaution.



L.U.C.A.S PERFORMER -- user panel

### 3 Connections and Control Features

#### L.U.C.A.S PERFORMER Subwoofer

##### 1 Limiter LEDs

Much like rev counters, these LEDs indicate the active system's operating status. For more info, read the sidebar "More about Limiter LEDs."

##### 2 Power On LED

This LED lights up when the power switch (see rear panel) is set to On and the system is connected to a mains power supply.

##### 3 Gain Left/ Right

Operation: Turn the Gain knob all the way down (counterclockwise) before switching the system on. Ensure the system is connected to the satellites and all other connected components are on before powering it up. Be sure to switch on the connected mixer as well as all signal sources connected to it, for example, keyboards, amps, effects, and so forth.

After you power the system up, set the Gain knob to the 0 dBV or 12 o'clock setting. This is the preferred level if you have connected a mixer. (Note: If you connect a CD player or a keyboard directly to the system, you may not be able to achieve peak volume at this setting. If this is the case, twist the Gain knob to the far right.)

If you hear distortion or a saturated signal, first check the signal sources and, if possible, reduce the output signal level there. If you are unable to turn down the level of the signal sent to L.U.C.A.S PERFORMER at the signal source, adjust the input sensitivity using the Gain knobs. (see also Tips and Tricks—section 4).

##### 4 Subwoofer Level

Handling: When this knob is set to the 12 o'clock position, the subwoofer's and the satellite's respective volumes are matched, ensuring the proper balance between the subwoofer's bass output and the satellites' mid/high-range output. If desired, you can twist the Subwoofer Level knob to the left, i.e. counterclockwise, to cut the subwoofer's level by as much as -12 dB and to the right to boost it by as much as 6 dB.

##### 5 Ground

Ground lift button for separating the signal and chassis ground in the event of hum. To rid the system of low-frequency hum, press the Ground switch in. If this doesn't solve the problem, check all power and audio cables connected to L.U.C.A.S PERFORMER for damage, as well as all cables routing signals to the mixing console (see also Tips and Tricks in Section 4).

##### 6 Input Left bzw. Input Right (Combination XLR/1/4" jacks)

L.U.C.A.S PERFORMER is equipped with separate left and right channel inputs for connecting to a mixer. Connections: Connect the audio cables that route the signal coming from your mixer (master left/right, line out, or a similar circuit) to these balanced inputs using microphone cables equipped with XLR connectors. The XLR connectors' pin assignments must be as follows: 1= ground, 2= +, 3= -. You can also use a 1/4" Tip-Ring-Sleeve plug to route signals via balanced circuits. Unbalanced signals can be patched in via a mono plug.

##### 7 Through Left, Trough Right

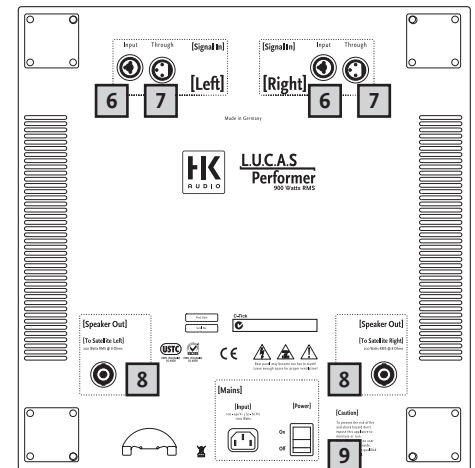
Connections: Parallel outputs for routing the line signal (left or right) to other systems, outboard components, monitor power amps, etc., via XLR cables.

##### 8 To Satellite Left and Right

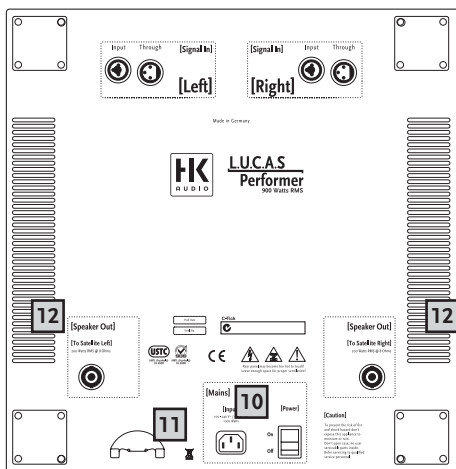
Connections: Connect these Speakon® outputs to the left and right L.U.C.A.S PERFORMER satellites using speaker cables equipped with Speakon® connectors. Note: Be sure to rotate the Speakon® connectors clockwise until they lock in place!

##### 9 Power Switch

Operation: On/off switch for the active system. The red Power On LED in the upper control panel lights up when the system is switched on. The active L.U.C.A.S PERFORMER system should always be switched on last after you power up all equipment connected to it, and should be switched off first before you switch off all the other equipment connected to it.



L.U.C.A.S PERFORMER - user panel rear



L.U.C.A.S PERFORMER - user panel rear

### 10 Mains Input

Connections: Use the factory-included mains cable (power cord) to connect from this socket to a wall receptacle.

### 11 Mains Cable Tab

Clamp the power cable into the tab to prevent it from being pulled out inadvertently.

### 12 Fans

These fans (on the side and back of the housing) keep the power amp modules cool. Always keep the fan and ventilation vents free of dirt and debris, and ensure they remain unobstructed so air can circulate freely.

## L.U.C.A.S PERFORMER Satellite

### Input

Connections: Connect the Speakon® inputs to the left and right L.U.C.A.S PERFORMER satellite outputs using speaker cables equipped with Speakon® connectors. Note: Be sure to twist the Speakon® connectors clockwise until they lock in place! You must first disengage the safety catch before you can unplug the connector. To do this, pull the bayonet catch towards the cord.

## 4 Tips and Tricks

- Do not expose electronic circuitry to moisture! When you set the system up outdoors, be sure to protect it against rain. Keep soft drinks, beer or any other liquids well away from the cabinets to protect their electronic components from short circuits.
- To ensure proper ventilation, make sure the subwoofer is placed a sufficient distance away from walls and isn't covered by curtains and the like. This is vital to keep the power amps cool.

- Ensure that the vents on the subwoofer's side panels are free of dirt and that the fan blades can rotate freely. Otherwise, electronic components may overheat and suffer damage.

- L.U.C.A.S PERFORMER takes care of delivering optimum sound—so provide it with optimum input signals! Noise such as hum is generally caused by defective cables, the wrong type of cables, or unbalanced signals being fed to the mixing console. Check all audio cables and mains cables.

- Avoid distortion! Not only is it unpleasant to your audience's ears, it also endangers your equipment. Make sure all components that are connected directly and indirectly to L.U.C.A.S PERFORMER have sufficient power ratings, and that they are not distorting from being driven at their respective limits. Provide a clean, undistorted signal to the system that won't require backing off the Gain knob to clean it up.

- Avoid ground loops! If, for example, you connect the mixer to one mains circuit/wall outlet, and L.U.C.A.S PERFORMER to another, you may encounter a ground loop. To prevent this problem, always connect the L.U.C.A.S PERFORMER system and the mixing console to the same electrical circuit (same phase!). If your equipment hums despite this precaution, the Ground Lift switch can be a great help.

**CAUTION: Never tape over the plug's ground terminal – this endangers lives!**

## 5 L.U.C.A.S PERFORMER Accessories

### HK AUDIO Speaker Add On Package

This is the complete L.U.C.A.S PERFORMER accessory kit consisting of two aluminum cabinet tripods, one gig bag, and two speaker cables.

### HK AUDIO Protective Covers for L.U.C.A.S PERFORMER

This set comprises one cover for the subwoofer and two covers for the satellites. Tear-resistant and water-repellant, these rugged covers are thickly padded to afford lasting protection for the L.U.C.A.S PERFORMER system during transport.

To learn more about Original HK AUDIO Accessories, talk to your HK AUDIO® dealer or visit [www.hkaudio.com](http://www.hkaudio.com).

## 6 Troubleshooting

### The Power On LED does not light up red after you switch the system on.

- 1 Check if the power cable is plugged into the Mains Input.
- 2 Check if the mains power supply is providing current.

### The Power On LED lights up, but there is no sound coming from the cabinets.

- 1 Check the cables connected to the Left and Right inputs.
- 2 Check if the signal sources (mixer, keyboard, CD player) are on.
- 3 Is the Gain knob turned up?
- 4 Check the speaker cables for damage.
- 5 Check if the "Speakon" connectors are fully engaged in their sockets (rotated to the right). They must be locked in place to establish an electrical connection.

### The subwoofer's low frequency output is too soft.

- 1 Check the setting of the Subwoofer Level knob.
- 2 Adjust this knob to set the volume of the subwoofer to the desired level.

### Sound seems distorted.

- 1 Check the LED displays on your mixer. They should not be constantly in the red. If necessary, reduce the volume at the mixer.
- 2 If the LED displays on your mixer are in the green, turn back L.U.C.A.S PERFORMER's Gain knob.
- 3 Watch the LEDs of the Limit Left, Limit Right and Limit Subwoofer displays on L.U.C.A.S PERFORMER's control panel. These may light up yellow, but only intermittently. Under no circumstances may they continuously illuminate yellow. If this is the case, turn the Gain down (knob counterclockwise).

### Annoying hum

- 1 Check the cables connecting the source of the audio signal to L.U.C.A.S PERFORMER. Replace any damaged cords.
- 2 If you cannot pinpoint the cause of the humming, press the Ground switch in. This should remedy the problem in most cases.

## 7 Technical Specifications

### L.U.C.A.S PERFORMER Subwoofer

Inputs/outputs:	
Line In:	XLR female, 1/4" combination jack (pin 1= ground; 2= +, 3= -)
Input:	Electronically balanced & floating
Input impedance:	47 k ohms
Sensitivity:	0 dBV (=1V)
Max. input level:	+ 20 dBu
Parallel out:	XLR male (pin 1= ground; 2=+, 3= -)
Speaker outputs:	Speakon® NL 4 (pin 1+= +, 1=- -)
Amplifiers:	
Subwoofer output:	1x 500 W RMS / Class D power amp
Satellites output:	2x 200 W RMS / Class D power amp
Protective circuits:	MultiBand limiter
Speakers:	
Woofers:	1x 15"
Subwoofer frequency response:	47 Hz -130 Hz, ± 3 dB 38 Hz -130 Hz, - 10 dB
SPL 1W / 1m:	101 dB (half space)
Max. SPL / 1m:	126 dB @ 10% THD (half space)
Weights and measures:	
Weight:	29,5 kg/ 64,9 lbs
Dimensions (WxHxD): without casters	47,5 cm x 47 cm x 58,5 cm 18-3/4" x 18-1/2" x 23"

### L.U.C.A.S PERFORMER Satellite

Inputs:	
Speaker input:	Speakon® NL 4 (pin 1+= +, 1=- -)
Speakers:	
Woofers:	1x 8"
Drivers:	1x 1"
Directivity:	60° x 40° CD horn
Overall nominal impedance:	8 ohms
Nominal power handling:	200 W RMS
SPL 1W / 1m:	102 dB (half space)
Max. SPL / 1m:	124 dB @ 10% THD (half space)
Frequency response: (via Controller)	130 Hz - 19 kHz, +/- 3 dB
Crossover frequency (passive):	2.4 kHz/ 12 dB / octave
Driver protection:	Dynamic protective circuit
Pole mount:	HK Audio MonoTilt™ 36 mm, -10°
Weights and measures:	
Weight:	7,2 kg/ 15,8 lbs.
Dimensions (WxHxD):	26 cm x 38,5 cm x 28,5 cm 10-1/8" x 15-1/8" x 11-1/4"

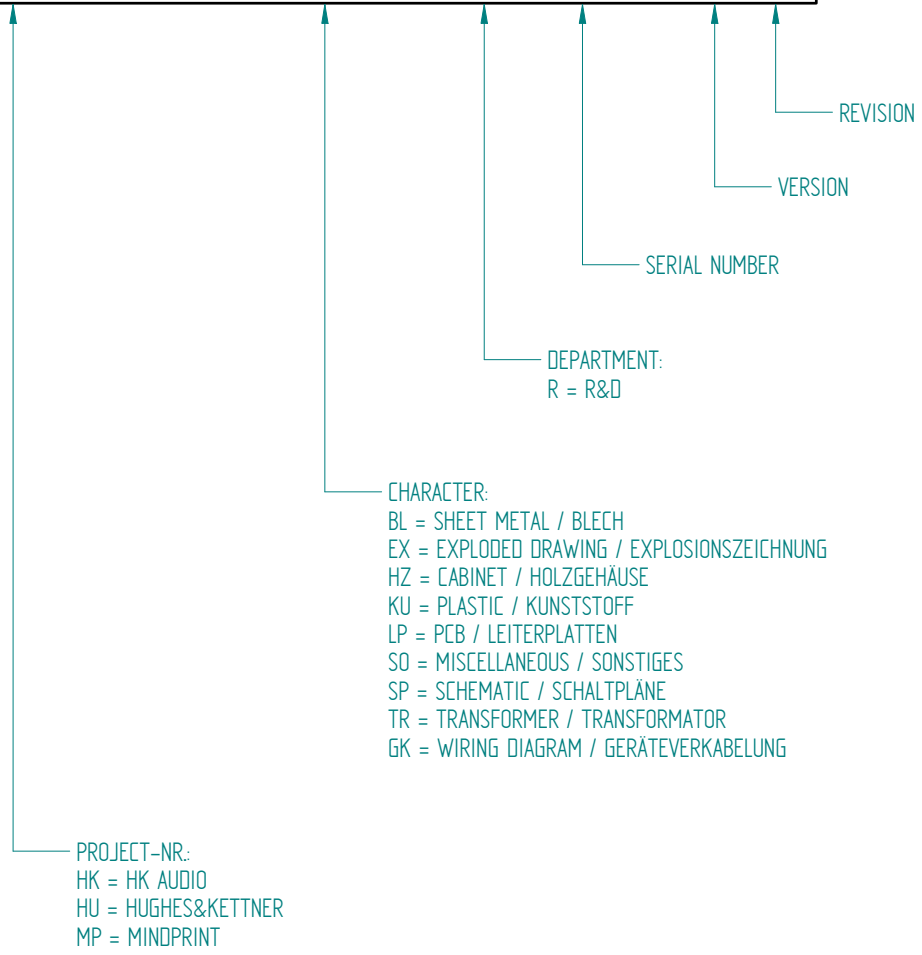
### General electrical data:

Protection class 1 (protectively earthed)

Max. current consumption:	4.4 A (220 – 240 V) • 8 A (110 – 120 V)
Max. power consumption:	1000 Watts
Mains voltage range:	+/- 10%
Ambient temperature range during operation:	-10° C to +35° C

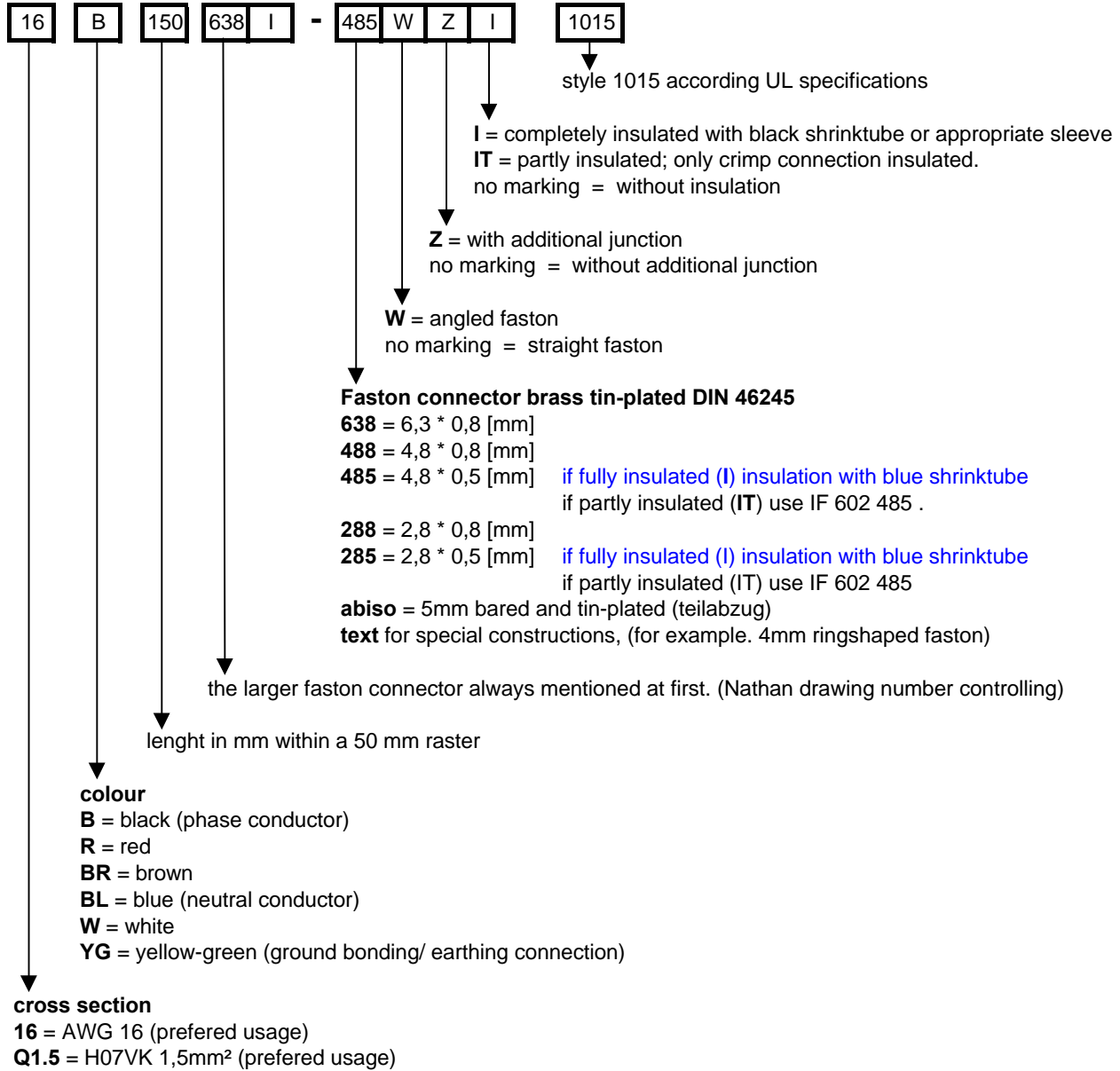
# DRAWING-NUMBERS EXAMPLE

HK0106-EX-R01-1A





## Standard for single wire confection.



wire designation:

**P + lfd Nr.** = AWG single wire black, red, blue, brown or white

**E + lfd Nr.** = AWG single wire green- yellow

**L + lfd Nr.** = twisted AWG double wire, length specification always in twisted condition

**FQL + lfd Nr.** = crossover wiring H07VK

**Regarding special wirings like wiring harness or similar, drawings will be prepared and appropriate drawing numbers will be stored in the article archive.**



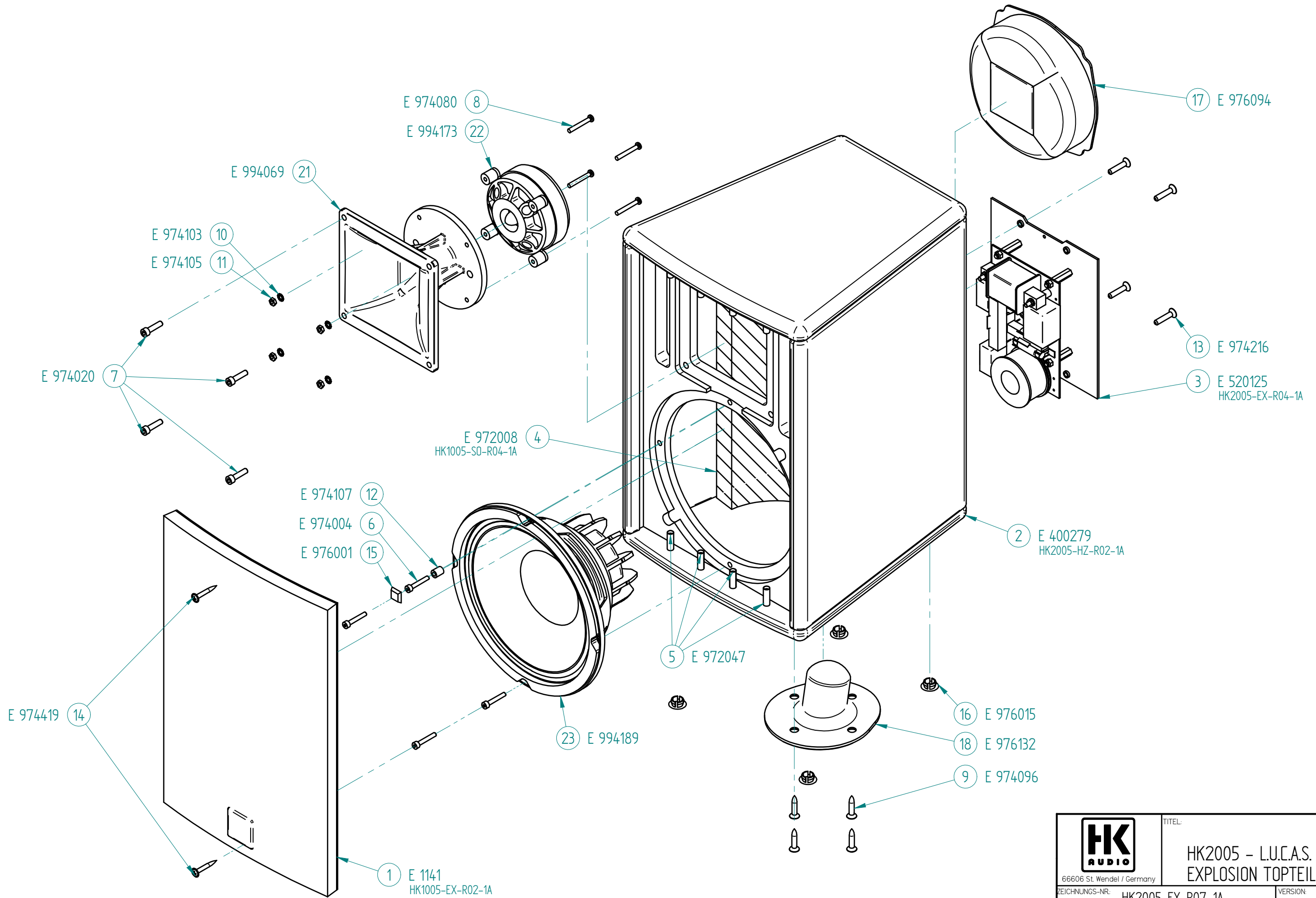
# Service Documents

**Confidential, for authorized service technicians only! Do not disclose this information to or share these documents with third parties.**




**TECHNICAL SERVICE:**

Stamer Musikanlagen GmbH • Magdeburger Str. 8 • 66606 St.Wendel • Germany  
Music & Sales P.E. GmbH • Leipziger Str. 3 • 66606 St.Wendel • Germany




INDEX	ÄNDERUNG	ZEICHNER

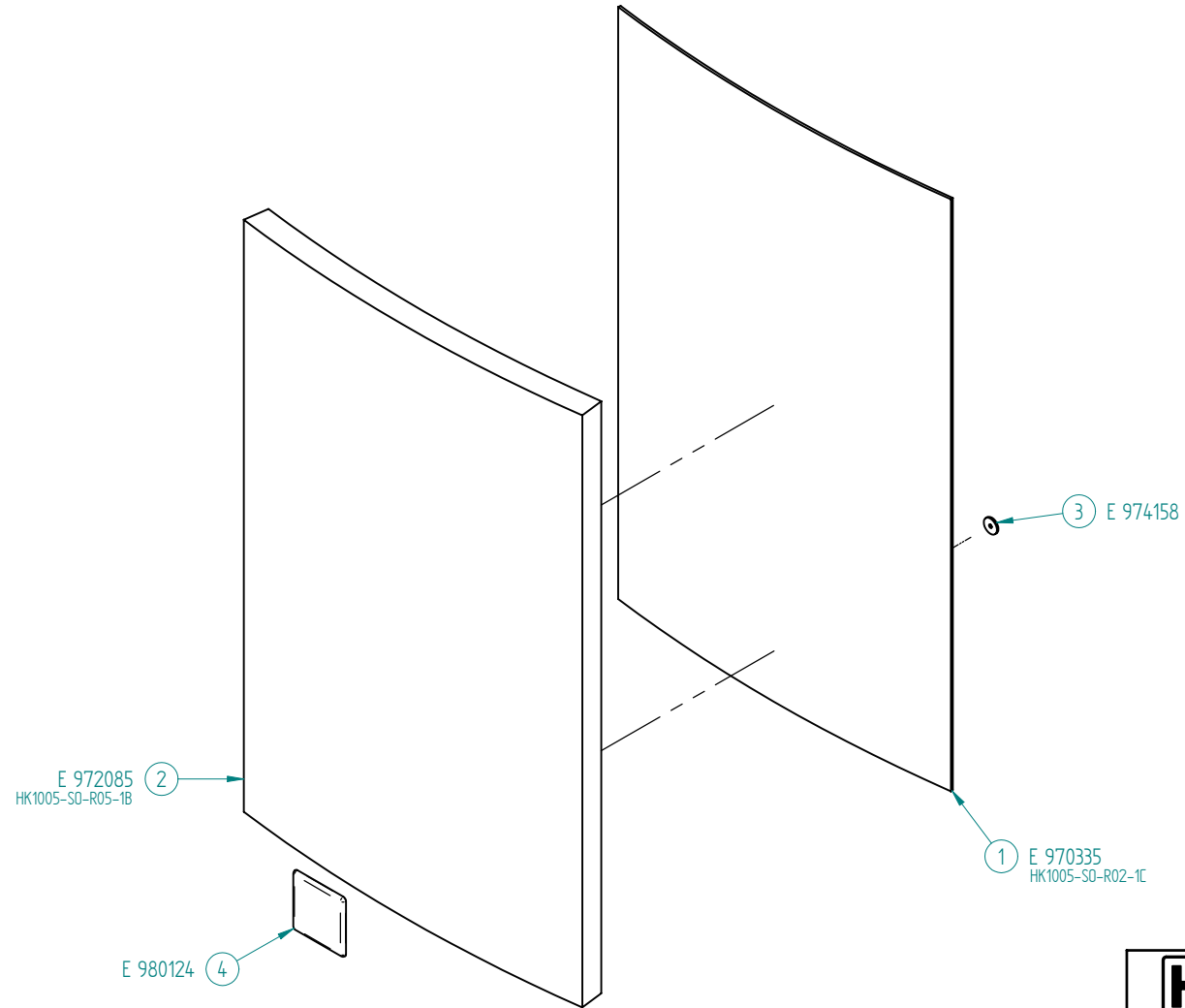
 66606 St. Wendel / Germany	TITEL: <b>HK2005 - L.U.C.A.S. Performer          EXPLOSION TOPTEIL</b>		
	ZEICHNUNGS-NR: HK2005-EX-R07-1A	VERSION: 1	REVISION: A
ERSTELLT VON: MICHAEL BOHLENDER	AM: 06.04.2006	BLATT: 1	
GEPRÜFT/ FREIGEgeben VON: MICHAEL BOHLENDER	AM: 06.04.2006	2 BLÄTTER	
WERKSTOFF:	OBERFLÄCHE: N/A		
DATEINAME: HK2005-EX-R07-1A-GESAMT-TOP			

Pos.	Artikel-Nr. 1	Artikel-Nr. 2	Artikel-Nr. 3	description	Titel	Menge
1	1141			Lucas Impact front grille assembly	Lucas Impact Frontgitterbaugruppe Bass	1
2	400279			Lucas Performer Top empty cabinet	40 Holzgeh.Lucas Performer Top	1
3	520125			52 crossover assembly Performer Sat	52 Freqw. Lucas Performer Top	1
4	972008			damping wool	Dämmwolle Hochbauschvlies	1
5	972047			PE-foam tube	PE-Schaumstoff-Röhrchen	8
6	974004			hexagon socket head cap screw, M4x25, zinc plated	Inbusschraube M4*25 vz	4
7	974020			hexagon socket head cap screw, M5x20, black	Inbusschraube M5x20sw	4
8	974080			cross recessed panhead screw, M4x30, zinc plated	Linsenschraube M4 x 30 vz	4
9	974096			ABC-Spax S, countersunk head, Pozidrive, 5x25, black	Spax Senkkopf, 5*25 sw	4
10	974103			toothed lock washer, D=4.3, AZ, zinc plated	Fächer-Scheibe az, 4,3 vz	4
11	974105			hexagon nut, class 8, M5, zinc plated	Sechskantmutter M4 vz	4
12	974107			plastic PCB spacer, 4.2x8x10, Polyamid black	Dist.Hülse PE 4,2*8*10 [mm]	1
13	974216			hexagon socket countersunk head screw, M5x25, black	Inbussenkschraube M5x25 sw	4
14	974419			ABC-Spax-S screws for backwall, 4x30, black	Rückwandschraube, 4*30 sw	2
15	976001			rubber foot square, self-adhesive, black	Gummifuss quadr. selbstkleb. sw	1
16	976015			plug AD=1705 PA, black	Lochstopfen AD=1705 PA-schwarz	4
17	976094			plastic dish 3403 HKBS! DART !	Griffschale 3403 HKBS! DART !	1
18	976132			tilt unit, 80°, MonoTilt (TM)	Ständerflansch 'Mono Tilt' 80°	1
19*	982037			sealing tape 2x6mm	Iso-Zell-Band fadenvers. 2*6mm	1,54 lfdm
20*	986016			foam glue, Alfa D 4572	Klebstoff Alfa D 4572	xxx
21	994069			horn VT 108 1" (Junghans)	Horn VT 108 1" (Junghans)	1
22	994173			SICA CD 83.26/380TW-80hms	SICA CD 83.26/380TW-80hms	1
23	994189			SICA LP 209.65/N220 T 8 Ohms	SICA LP 209.65/N220 T 8 Ohms	1


INDEX	ÄNDERUNG	ZEICHNER

		TITEL:	
		HK2005 - L.U.C.A.S. Performer EXPLOSION TOPTEIL	
66606 St. Wendel / Germany			
ZEICHNUNGS-NR:	HK2005-EX-R07-1A	VERSION:	1
ERSTELLT VON:	MICHAEL BOHLENDER	AM:	06.04.2006
GEPRÜFT/ FREIGEgeben VON:	MICHAEL BOHLENDER	AM:	06.04.2006
WERKSTOFF:		OBERFLÄCHE:	N/A
DATEINAME:	HK2005-EX-R07-1A-GESAMT-TOP		
		REVISION:	A
		BLATT:	2
			2 BLÄTTER

Pos.	Artikel-Nr. 1	Projekt	Titel	Menge
1	970335	front grille, stretched metal	Streckgitter	1
2	972085	acoustic foam anthracite 15mm	Akustikschaum Anthrazit 15mm	1
3	974158	snapon retaining ring (for logo)	Schnellbefestiger f. Logo	1
4	980124	logo 'HK'35*35	Logo 'HK'35*35	1

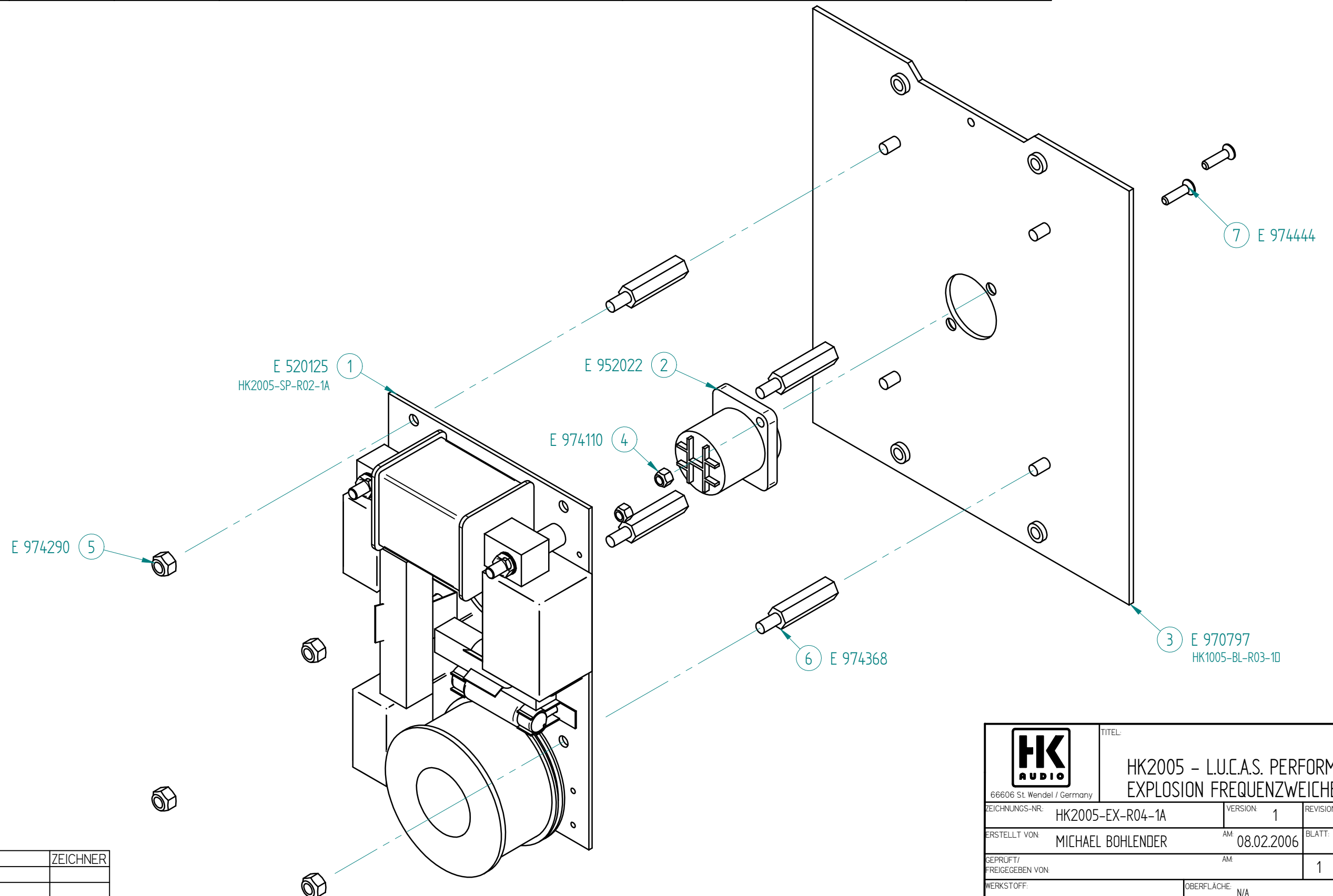


service-nr.: E1141


 66606 St. Wendel / Germany	TITEL:		
	HK1005 - IMPACT SATELLITE EXPLOSION FRONT GRILLE		
ZEICHNUNGS-NR.	HK1005-EX-R02-1A	VERSION	1
ERSTELLT VON	MICHAEL BOHLENDER	AM	06.04.2006
GEPRÜFT/ FREIGEgeben VON		AM	
WERKSTOFF:		OBERFLÄCHE:	N/A
DATEINAME:	HK1005-EX-R02-1A-FRONTGITTER_TOP		

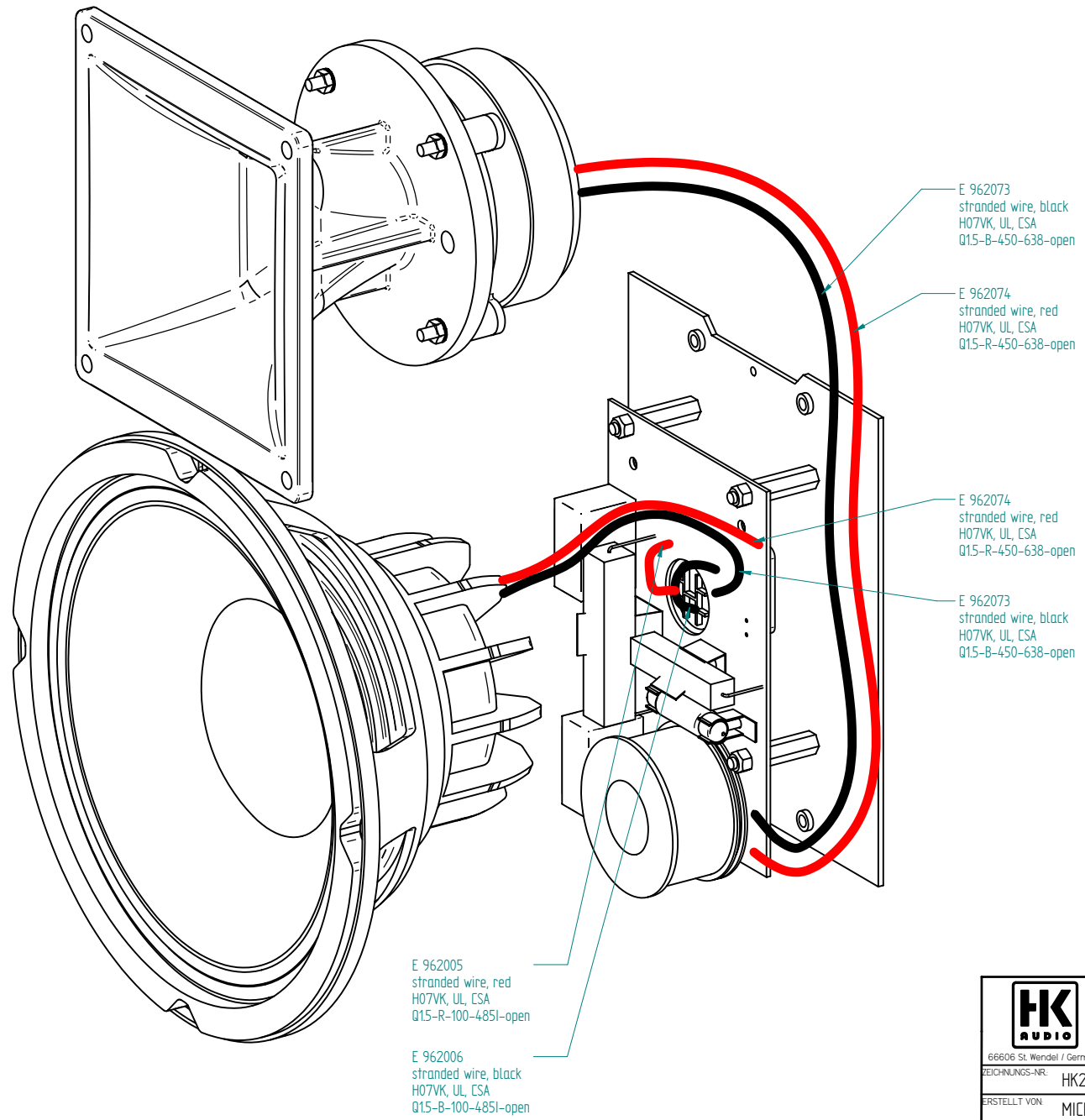
INDEX	ÄNDERUNG	ZEICHNER

Pos.	Artikel-Nr. 1	Artikel-Nr. 2	Artikel-Nr. 3	description	Titel	Menge
1	520125			52 crossover circuit PCB	52 Freqw. Lucas Performer Top	1
2	952022			speakon chassis connector, NL4MP	Speakonbuchse 4pol eckig	1
3	970797			Lucas Performer Top Connection Panel	Blech Anschl.pl.Lucas Performer Top	1
4	974110			self locking hexagon nut with plastic insert, M3, zinc plated	Stopmutter M3 vz	2
5	974290			self locking hexagon nut with plastic insert, M4, zinc plated	Stopmutter M4 vz	4
6	974368			hexagon PCB spacer, type B, M4x25, zinc plated	Dist. Bol. Innen/Außengew. M4*25 vz	4
7	974444			cross recessed raised countersunk screw, M3x12, black	Linsensenkschraube M3*12 sw	2




INDEX	ÄNDERUNG	ZEICHNER

		TITEL: <b>HK2005 - L.U.C.A.S. PERFORMER          EXPLOSION FREQUENZWEICHE</b>	
<small>66606 St. Wendel / Germany</small>		ZEICHNUNGS-NR: <b>HK2005-EX-R04-1A</b>	VERSION: <b>1</b> REVISION: <b>A</b>
ERSTELLT VON: <b>MICHAEL BOHLENDER</b>		AM: <b>08.02.2006</b>	BLATT: <b>1</b>
GEPRÜFT/ FREIGEgeben VON:		AM:	<b>1</b> BLÄTTER
WERKSTOFF:		OBERFLÄCHE: <b>N/A</b>	
DATEINAME: <b>HK2005-EX-R04-1A-ANSCHLUSSPLATTE</b>			




INDEX	ÄNDERUNG	ZEICHNER

 66606 St. Wendel / Germany	TITEL: <b>HK2005 - L.U.C.A.S. PERFORMER          SATELLITE WIRING DIAGRAM</b>		
	ZEICHNUNGS-NR. HK2005-GK-R02-1A	VERSION 1	REVISION A
ERSTELLT VON MICHAEL BOHLENDER	AM 10.02.2006	BLATT: 1	
GEPRÜFT/ FREIGEgeben VON MICHAEL BOHLENDER	AM 10.02.2006	2 BLÄTTER	
WERKSTOFF:	OBERFLÄCHE: N/A		
DATEINAME: HK2005-GK-R02-1A-VERKABELUNG-TOP			

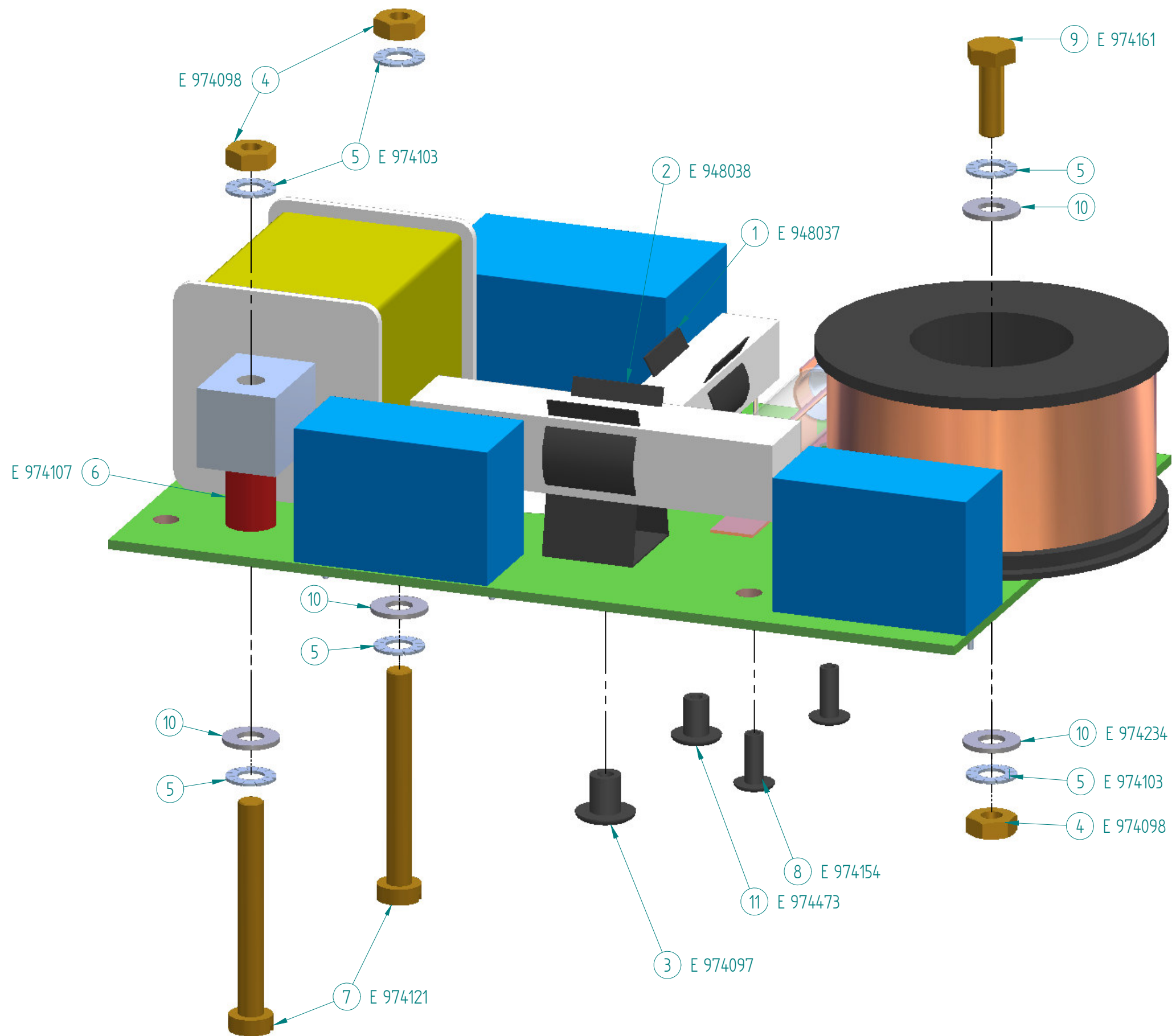
Pos.	Artikel-Nr. 1	Artikel-Nr. 2	Artikel-Nr. 3	description	Titel	Menge
1	962005			stranded wire Q1.5-R-100-485l-open	Litze Q1.5-R-100-485l-open	1
2	962006			stranded wire Q1.5-B-100-485l-open	Litze Q1.5-B-100-485l-open	1
3	962073			stranded wire Q1.5-B-450-638-open	Litze Q1.5-B-450-638-open	2
4	962074			stranded wire Q1.5-R-450-638-open	Litze Q1.5-R-450-638-open	2


INDEX	ÄNDERUNG	ZEICHNER

 66606 St. Wendel / Germany		TITEL:	
		HK2005 - L.U.C.A.S. PERFORMER SATELLITE WIRING DIAGRAM	
ZEICHNUNGS-NR.	HK2005-GK-R02-1A	VERSION	1
ERSTELLT VON	MICHAEL BOHLENDER	AM	10.02.2006
GEPRÜFT/ FREIGEgeben VON	MICHAEL BOHLENDER	AM	10.02.2006
WERKSTOFF:	OBERFLÄCHE: N/A		
DATEINAME:	HK2005-GK-R02-1A-VERKABELUNG-TOP		




ALL CAPACITORS GLUED WITH SILICONE  
RESISTORS FIXED IN SPRING WITH PU-GLUE



	TITEL:		
	HK2005 - L.U.C.A.S. PERFORMER EXPLOSION FREQUENZWEICHE		
66606 St. Wendel / Germany	ZEICHNUNGS-NR:	VERSION:	REVISION:
	HK2005-EX-R05-1B	1	B
ERSTELLT VON:	MICHAEL BOHLENDER	AM:	05.04.2006
			BLATT: 1
GEPRÜFT/ FREIGEgeben VON:	MICHAEL BOHLENDER	AM:	05.04.2006
			2 BLÄTTER
WERKSTOFF:	OBERFLÄCHE: N/A		
DATEINAME:	HK2005-EX-R05-1B-FREQUENZWEICHE		

Pos.	Artikel-Nr. 1	Artikel-Nr. 2	Artikel-Nr. 3	description	Titel	Menge
1	948037			retaining spring for axial power resistor	SI-Halter f. 10W Widerstand	1
2	948038			retaining spring for 20W axial power resistor	SI-Halter f. 20W Widerstand	1
3	974097			blind rivet alu/steel standard, 5.0x6.0	Blindniete Alu-FLARUKO 5,0*6,0	1
4	974098			hexagon nut, class 8, M5, brass	Sechskantmutter M4 ms	3
5	974103			toothed lock washer, D=4.3, AZ, zinc plated	Fächer-Scheibe az, 4,3 vz	6
6	974107			plastic PCB spacer, 4.2x8x10, Polyamid black	Dist.Hülse PE 4,2*8*10 [mm]	2
7	974121			slotted cheese head screw, M4x35, brass	Zylinderschraube M4*35 ms	2
8	974154			blind rivet steel standard, 3.0x8, black	Blindniete Stahl schw. 3,0*8	2
9	974161			hexagon head screw, M4x12, brass	Sechskantschraube, M 4*12 ms	1
10	974234			washer, form A, D=4.3mm, zinc plated	Unterleg-Scheibe 4,3 vz	4
11	974473			blind rivet alu/steel standard, 4.0x6.0	Blindniete Alu-FLARUKO 4,0*6,0	1
12*	988011			silicon glue, 310mltrs tube	Silicon transparent, 310ml Kartusche	xxx
13*	988165			1k polyurethane glue, 310mltrs. tube	Polyurethan 1-K Kleber, 310ml Kartusche	xxx

 66606 St. Wendel / Germany	TITEL:		
	HK2005 - L.U.C.A.S. PERFORMER EXPLOSION FREQUENZWEICHE		
ZEICHNUNGS-NR:	HK2005-EX-R05-1B	VERSION:	1
ERSTELLT VON:	MICHAEL BOHLENDER	AM:	05.04.2006
GEPRÜFT/ FREIGEgeben VON:	MICHAEL BOHLENDER	AM:	05.04.2006
WERKSTOFF:		OBERFLÄCHE:	N/A
DATEI-NAMEN:	HK2005-EX-R05-1B-FREQUENZWEICHE		

**HK2005-EX-R07-1A-SAT-COMPLETE**

Article No. 1 (230V)	Article No. 2 (117V)	Article No. 3 (100V)	Description	Bezeichnung	Quantity
E1141			Lucas Impact front grille assembly	Lucas Impact Frontgitterbaugruppe Bass	1
400279			Lucas Performer Top empty cabinet	40 Holzgeh.Lucas Performer Top	1
520125			52 crossover assembly Performer Sat	52 Freqw. Lucas Performer Top	1
972008			damping wool	Dämmwolle Hochbauschvlies	1
972047			PE-foam tube	PE-Schaumstoff-Röhrchen	8
974004			hexagon socket head cap screw, M4x25, zinc plated	Inbusschraube M4*25 vz	4
974020			hexagon socket head cap screw, M5x20, black	Inbusschraube M5x20sw	4
974080			cross recessed panhead screw, M4x30, zinc plated	Linsenschraube M4 x 30 vz	4
974096			ABC-Spax S, countersunk head, Pozidrive, 5x25, black	Spax Senkkopf, 5*25 sw	4
974103			toothed lock washer, D=4.3, AZ, zinc plated	Fächer-Scheibe az, 4,3 vz	4
974105			hexagon nut, class 8, M5, zinc plated	Sechskantmutter M4 vz	4
974107			plastic PCB spacer, 4.2x8x10, Polyamid black	Dist.Hülse PE 4,2*8*10 [mm]	1
974216			hexagon socket countersunk head screw, M5x25, black	Inbussenschraube M5x25 sw	4
974419			ABC-Spax-S screws for backwall, 4x30, black	Rückwandschraube, 4*30 sw	2
976001			rubber foot square, self-adhesive, black	Gummifuss quadr. selbstkleb. sw	1
976015			plug AD=1705 PA, black	Lochstopfen AD=1705 PA-schwarz	4
976094			plastic dish 3403 HKBS! DART !	Griffschale 3403 HKBS! DART !	1
976132			tilt unit, 80°, MonoTilt (TM)	Ständerflansch 'Mono Tilt' 80°	1
982037			sealing tape 2x6mm	Iso-Zell-Band fadenvers. 2*6mm	1,54 lfdm
986016			foam glue, Alfa D 4572	Klebstoff Alfa D 4572	xxx
994069			horn VT 108 1" (Junghans)	Horn VT 108 1" (Junghans)	1
994173			SICA CD 83.26/380TW-8Ohms	SICA CD 83.26/380TW-8Ohms	1
994189			SICA LP 209.65/N220 T 8 Ohms	SICA LP 209.65/N220 T 8 Ohms	1

**HK1005-EX-R02-1A-SAT-FRONT GRILLE**

Article No. 1 (230V)	Article No. 2 (117V)	Article No. 3 (100V)	Description	Bezeichnung	Quantity
970335			front grille, stretched metal	Streckgitter	1
972085			acoustic foam anthracite 15mm	Akustikschaum Anthrazit 15mm	1
974158			snapon retaining ring (for logo)	Schnellbefestiger f. Logo	1
980124			logo 'HK'35*35	Logo 'HK'35*35	1

**HK2005-EX-R04-1A-CONNECTOR PANEL SUBASSY.**

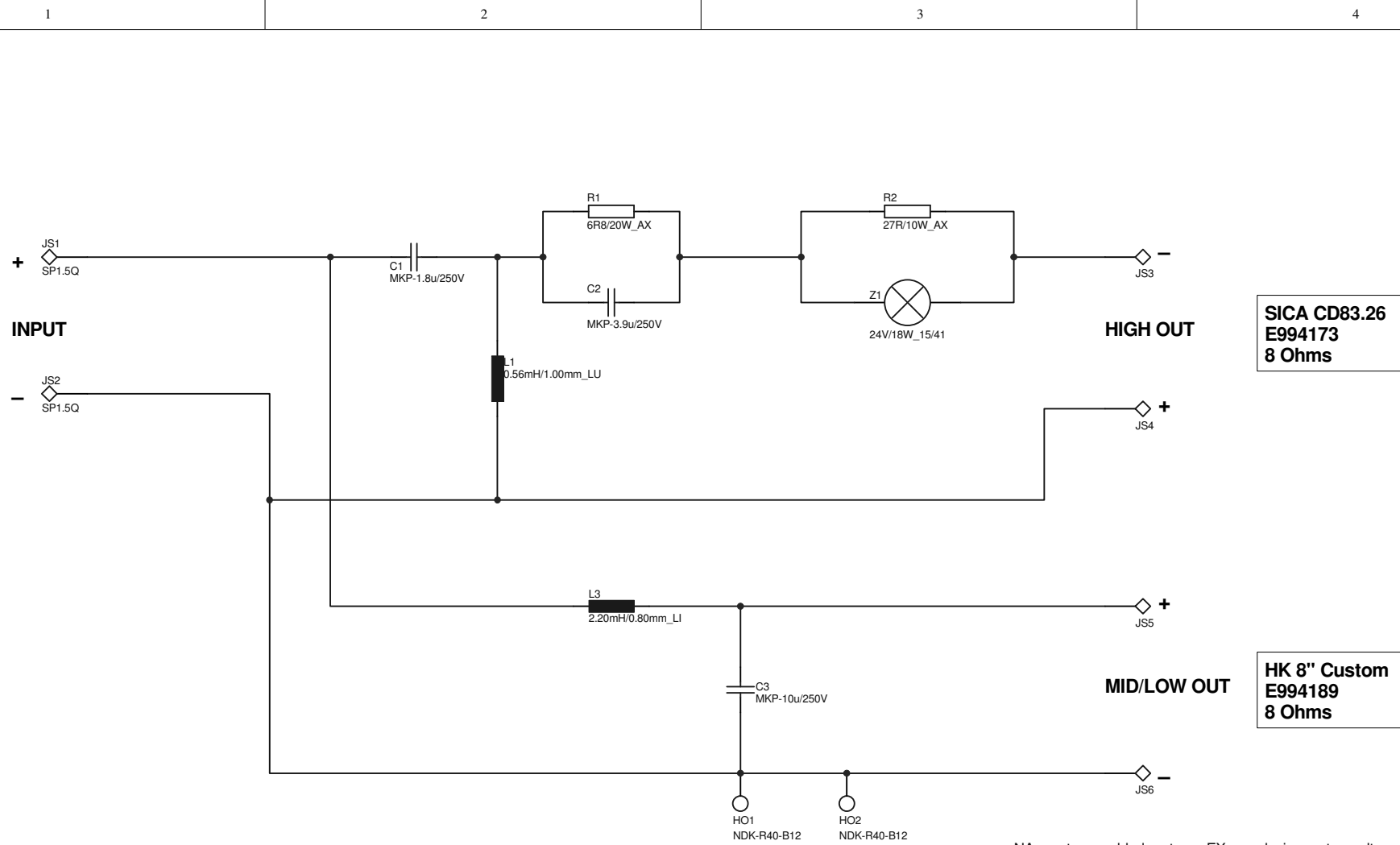
Article No. 1 (230V)	Article No. 2 (117V)	Article No. 3 (100V)	Description	Bezeichnung	Quantity
520125			52 crossover circuit PCB	52 Freqw. Lucas Performer Top	1
952022			speakon chassis connector, NL4MP	Speakonbuchse 4pol eckig	1
970797			Lucas Performer Top Connection Panel	Blech Anschl.pl.Lucas Performer Top	1
974110			self locking hexagon nut with plastic insert, M3, zinc plated	Stopmutter M3 vz	2
974290			self locking hexagon nut with plastic insert, M4, zinc plated	Stopmutter M4 vz	4
974368			hexagon PCB spacer, type B, M4x25, zinc plated	Dist. Bol Innen/Außengew. M4*25 vz	4
974444			cross recessed raised countersunk screw, M3x12, black	Linsensenkschraube M3*12 sw	2

**HK2005-GK-R02-1A-SAT-CABLING**

Article No. 1 (230V)	Article No. 2 (117V)	Article No. 3 (100V)	Description	Bezeichnung	Quantity
962005			stranded wire Q1.5-R-100-485I-open	Litze Q1.5-R-100-485I-open	1
962006			stranded wire Q1.5-B-100-485I-open	Litze Q1.5-B-100-485I-open	1
962073			stranded wire Q1.5-B-450-638-open	Litze Q1.5-B-450-638-open	2
962074			stranded wire Q1.5-R-450-638-open	Litze Q1.5-R-450-638-open	2

**HK2005-EX-R05-1B-CROSSOVER ASSEMBLY**


Article No. 1 (230V)	Article No. 2 (117V)	Article No. 3 (100V)	Description	Bezeichnung	Quantity
948037			retaining spring for axial power resistor	SI-Halter f. 10W Widerstand	1
948038			retaining spring for 20W axial power resistor	SI-Halter f. 20W Widerstand	1
974097			blind rivet alu/steel standard, 5.0x6.0	Blindniete Alu-FLARUKO 5,0*6,0	1
974098			hexagon nut, class 8, M5, brass	Sechskantmutter M4 ms	3
974103			toothed lock washer, D=4.3, AZ, zinc plated	Fächer-Scheibe az, 4,3 vz	6
974107			plastic PCB spacer, 4.2x8x10, Polyamid black	Dist.Hülse PE 4,2*8*10 [mm]	2
974121			slotted cheese head screw, M4x35, brass	Zylinderschraube M4*35 ms	2
974154			blind rivet steel standard, 3.0x8, black	Blindniete Stahl schw. 3,0*8	2
974161			hexagon head screw, M4x12, brass	Sechskantschraube, M 4*12 ms	1
974234			washer, form A, D=4.3mm, zinc plated	Unterleg-Scheibe 4,3 vz	4
974473			blind rivet alu/steel standard, 4.0x6.0	Blindniete Alu-FLARUKO 4,0*6,0	1
988011			silicon glue, 310mltrs tube	Silicon transparent, 310ml Kartusche	xxx
988165			1k polyurethane glue, 310mltrs. tube	Polyurethan 1-K Kleber, 310ml Kartusche	xxx



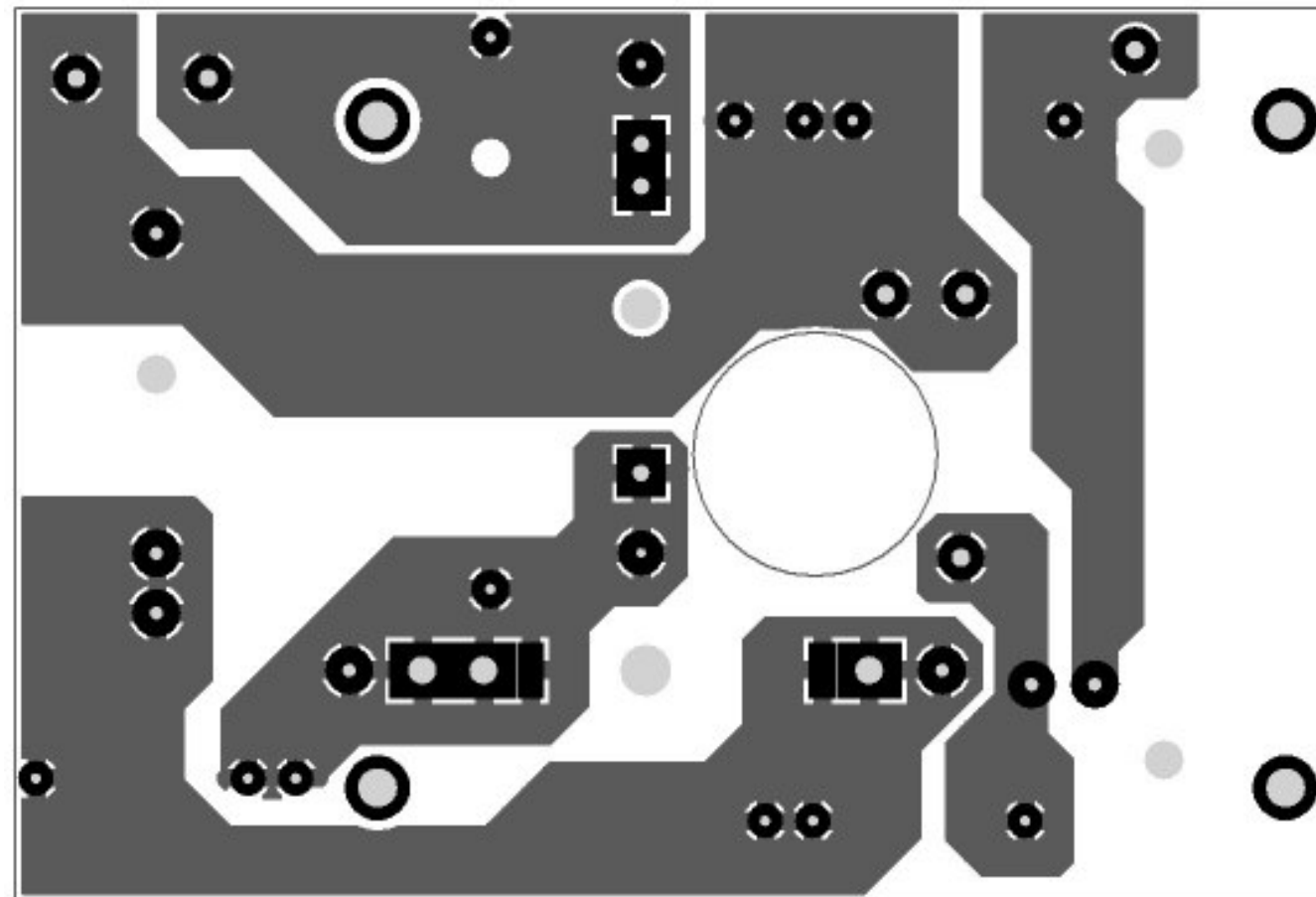
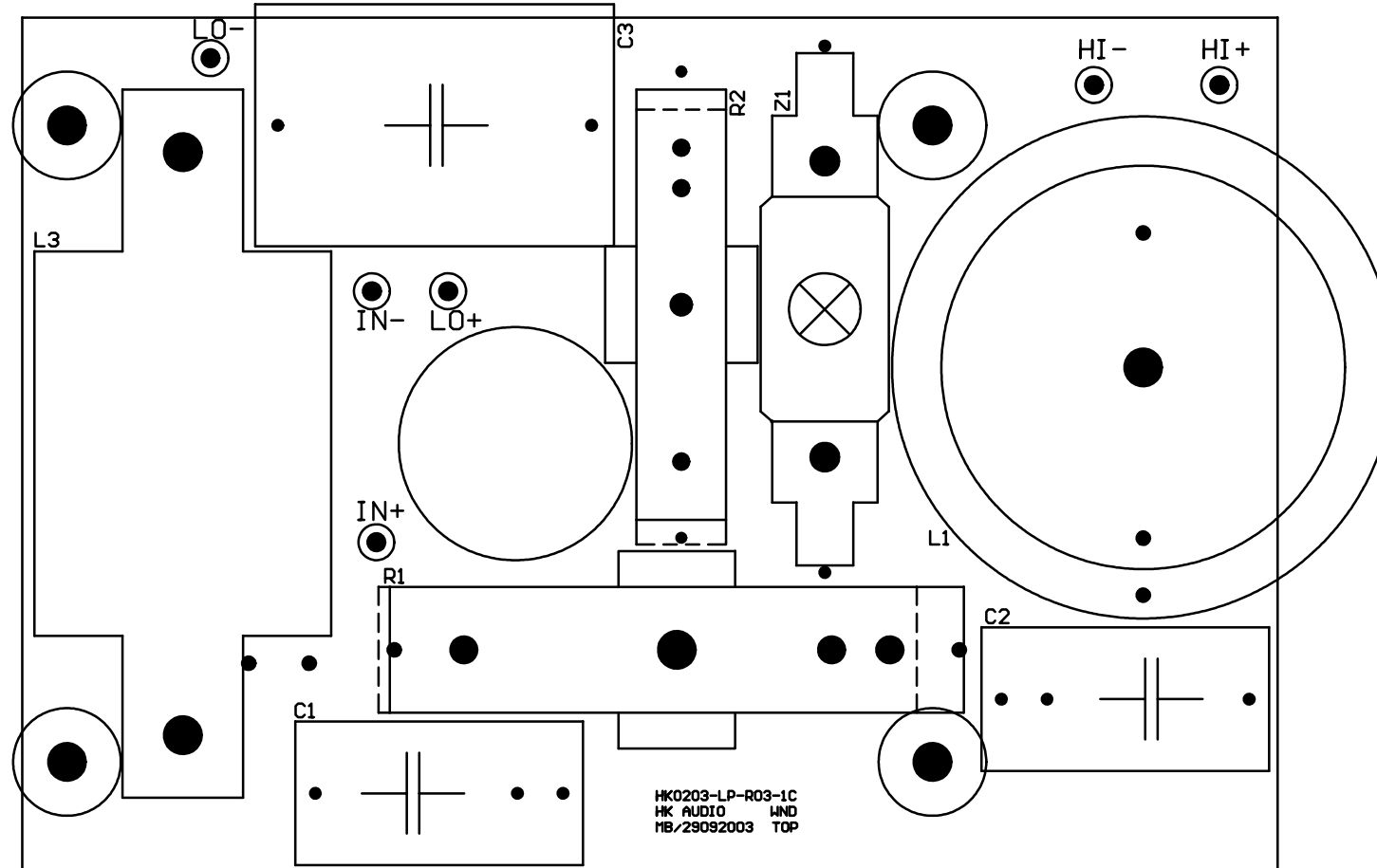
**SICA CD83.26**  
**E994173**  
**8 Ohms**

**HK 8" Custom**  
**E994189**  
**8 Ohms**


NA = not assembled part ----- EX = exclusive part, no alternative allowed  
 HT = high temperature part, assemble with distance from PCB

 66606 St. Wendel / Germany	Title: <b>HK2005 -- LUCAS Performer TOP Crossover Circuit</b>	
	Number: HK2005-SP-R02-1A	Version: 1
Drawn by: Michael Bohlender	Date: 03.02.2006	Page: 1
Checked by: Michael Bohlender	Date: 03.02.2006	1 Pages
PCB No.: HK0203-LP-R03-1C.pcb		
Filename: HK2005-SP-R02-1A-DTP-Schaltplan.sch		

All rights reserved. No part of this schematic may be reproduced, stored in a retrieval system, transmitted in any form or by any means, electronic, mechanical, photocopying, recording or otherwise, without the prior permission of the author.



INDEX	ÄNDERUNG	ZEICHNER

	TITEL:		
	HK2005 -- L.U.C.A.S. PERFORMER SATELLITE CROSSOVER PCB		
66606 St. Wendel / Germany			
ZEICHNUNGS-NR:	HK0203-LP-R03-1C	VERSION:	1
ERSTELLT VON:	MICHAEL BOHLENDER	AM:	27.06.2006
GEPRÜFT/ FREIGEgeben VON:	MICHAEL BOHLENDER	AM:	01.02.2006
WERKSTOFF:	FR4, single layer, 1,55mm	OBERFLÄCHE:	HAL, 70µm CU, bottom solder mask
DATEINAME:	HK0203-LP-R03-1C-Layout		
		REVISION:	A
		BLATT:	1
			1 BLÄTTER