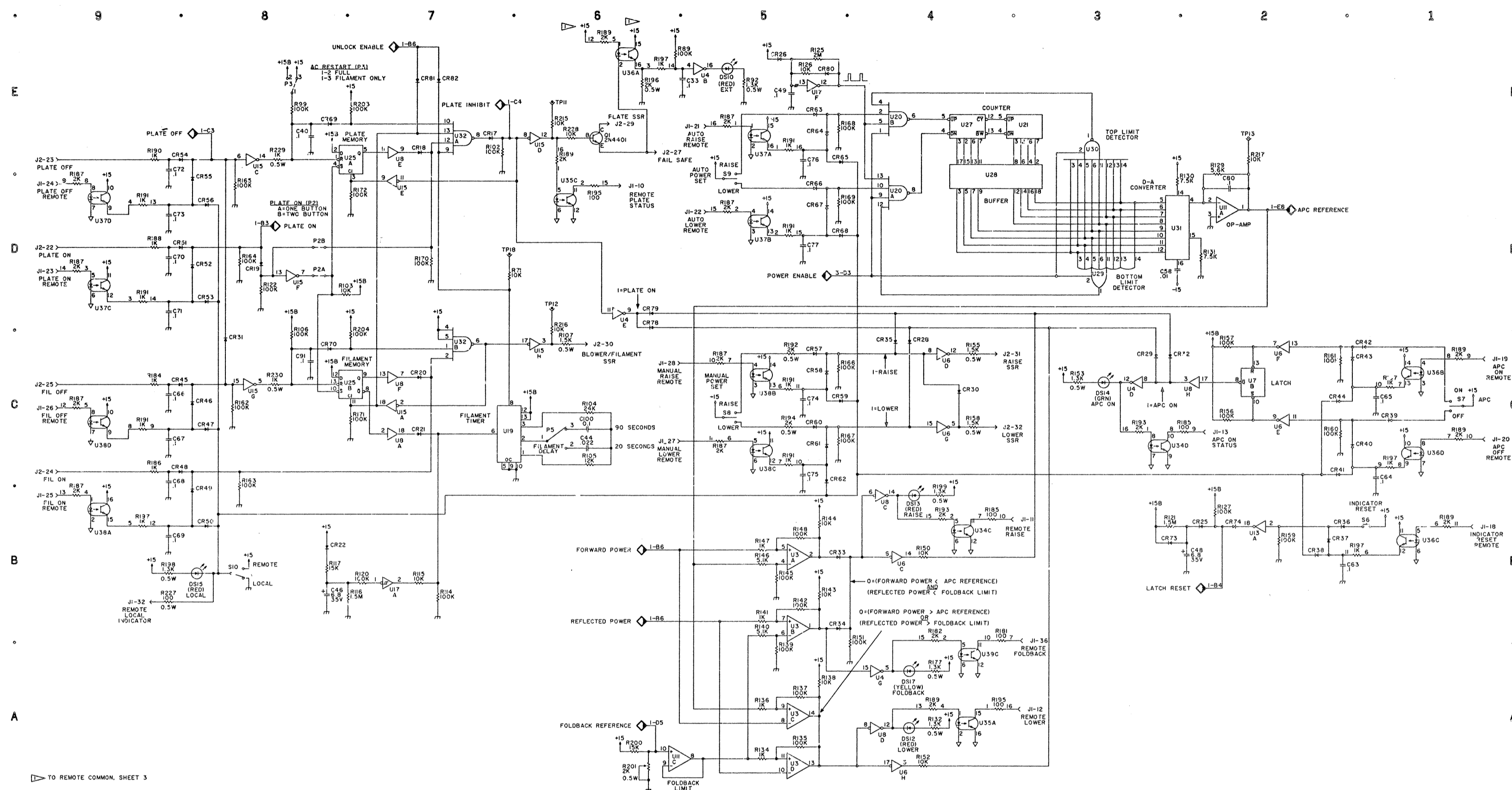


REFERENCE DOCUMENTS	
PC. BOARD	NET LIST
843 4979 009	NET.J96812.025

DWG. 839 7832 019					
LTR	DATE	REVISION	ESTM	ENG	ECN
F	7-2-89	REVISE 01	DFG		35271
J	9-27-91	ADD FILAMENT DELAY CKT	RLB		37259



▷ TO REMOTE COMMON SHEET 3

CAD-CAM FILED: SCH.ES.J97832.019

<b>TOL. UNLESS NOTED</b> INCHES: .X ± .030, .XX ± .015, .XXX ± .005 MILLIMETERS: .X ± .8, .XX ± .40, .XXX ± .100 ANGLES: ± 1° ALL DIMENSIONS UNLESS INDICATED OTHERWISE		
ALL DIM. IN INCHES UNLESS NOTED DR. BY D. GLOVER 3-88 CHKD. M.E. F.E. PROJ. ENG.		
THIS DOCUMENT CONTAINS PROPRIETARY DATA OF HARRIS CORPORATION. NO DISCLOSURE, REPRODUCTION, OR USE OF ANY PART THERE OF MAY BE MADE EXCEPT BY WRITTEN PERMISSION.		<b>TITLE</b> SCHEM, CONTROL PC BD
MFG. NEXT ASSY: 992-6619-002 USED ON: 992-7038-001		REF. DWG. SCALE FIN. DWG. NO. 839 7832 SHEET 2 OF 3 019