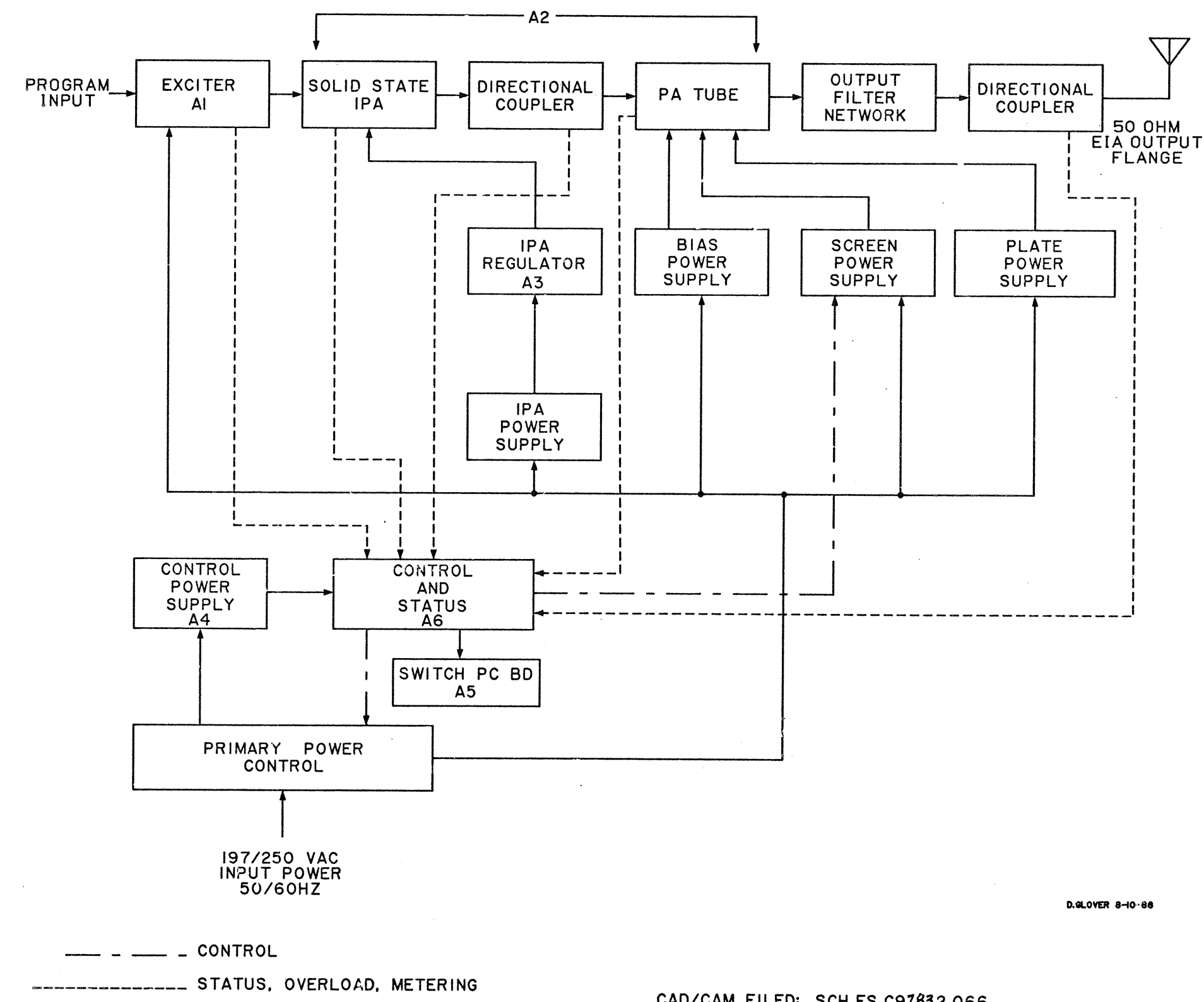


		DWG. NO. 839-7832-066			
LTR	DATE	REVISION	DFTM	ENG	ECN
A	4-90	REVISED TITLE BLOCK	SDW		35893

839-7832-066



D.GLOVER 8-10-88

CAD/CAM FILED: SCH.ES.C97832.066

TOL. UNLESS NOTED			
INCHES .X : .030 .XX : .015 .XXX : .005 ALL INDICATES 125 MICRO INCH.	MILLIMETERS .X : .8 .XX : .40 .XXX : .100 ALL INDICATES 3.175 MICRONS.		
ALL DIM. IN INCHES UNLESS NOTED		THIS DOCUMENT CONTAINS PROPRIETARY DATA OF HARRIS CORPORATION. NO DISCLOSURE, REPRODUCTION, OR USE OF ANY PART THERE OF MAY BE MADE EXCEPT BY WRITTEN PERMISSION.	
DR. BY D.GLOVER 8/16/88		TITLE	
CHKD. <i>[Signature]</i> 11/16/88		BLOCK DIAGRAM.	
M.E. <i>[Signature]</i> 11/16/88		HT 3.5/5/7/10FM	
E.E. <i>[Signature]</i> 11/16/88			
PROJ. ENG. <i>[Signature]</i> 11/16/88			
MFG. MFR. 11/17/88	REF. DWG.	SCALE	
NEXT ASSY.	MAT'L.	FIN.	DWG. NO.
USED ON		SHEET 1 OF 1	839-7832-066

839-7832 066