

OWNERS MANUAL

**THIS MANUAL COVERS MODEL NUMBER
DR103**

Distributed by Biacrown Ltd

Manufactured in England by the Audio Brothers

DR103 SPECIFICATION

Input line voltages : 100V, 117.5V, 225V, 250V a.c.

Power consumption : 330 Watts (maximum)

**Fuse ratings : Mains (100V, 117.5V) - 6.3A (T) slowblow
(225V, 250V) - 3.15A (T) slowblow
H.T. (100V, 117.5V) - 3.15A (T) slowblow
(225V, 250V) - 3.15A (T) slowblow**

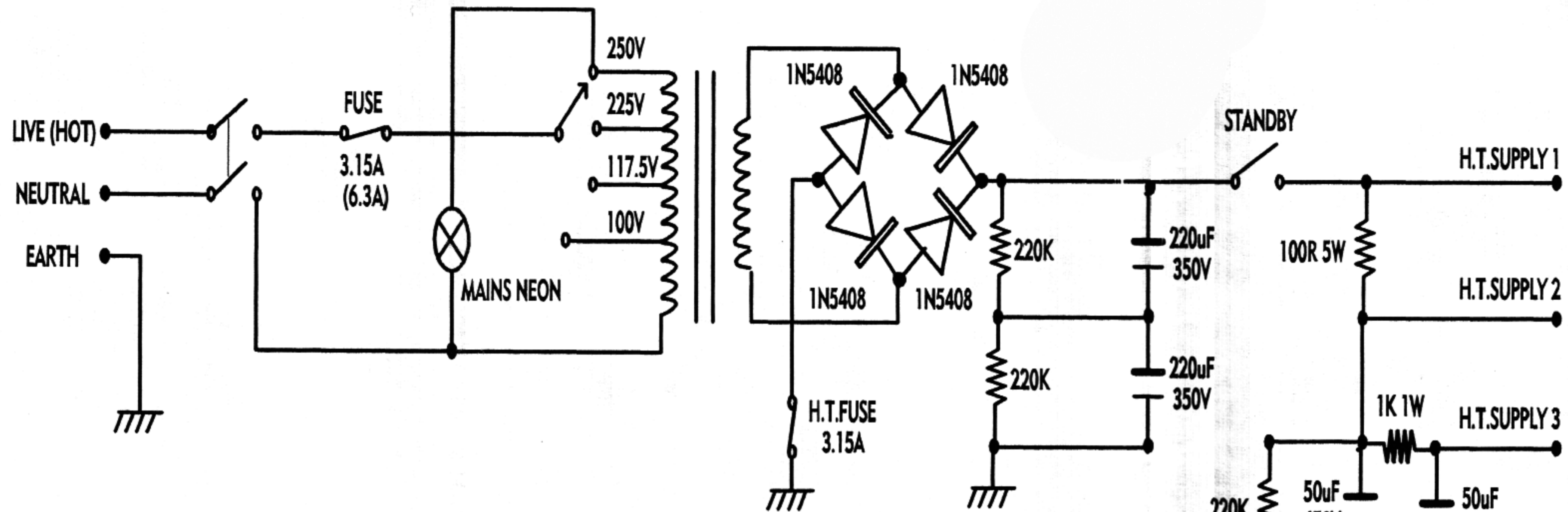
**Valve types : Output valves 4 x matched EL34 (6CA7)
Preamp valves V₁, V₂, V₃, 3 x ECC83 (12AX7)(7025)
Preamp valve V₄ 1 x ECC81 (12AT7)(6201)**

Output power : 100W RMS (min) into 8 Ohms

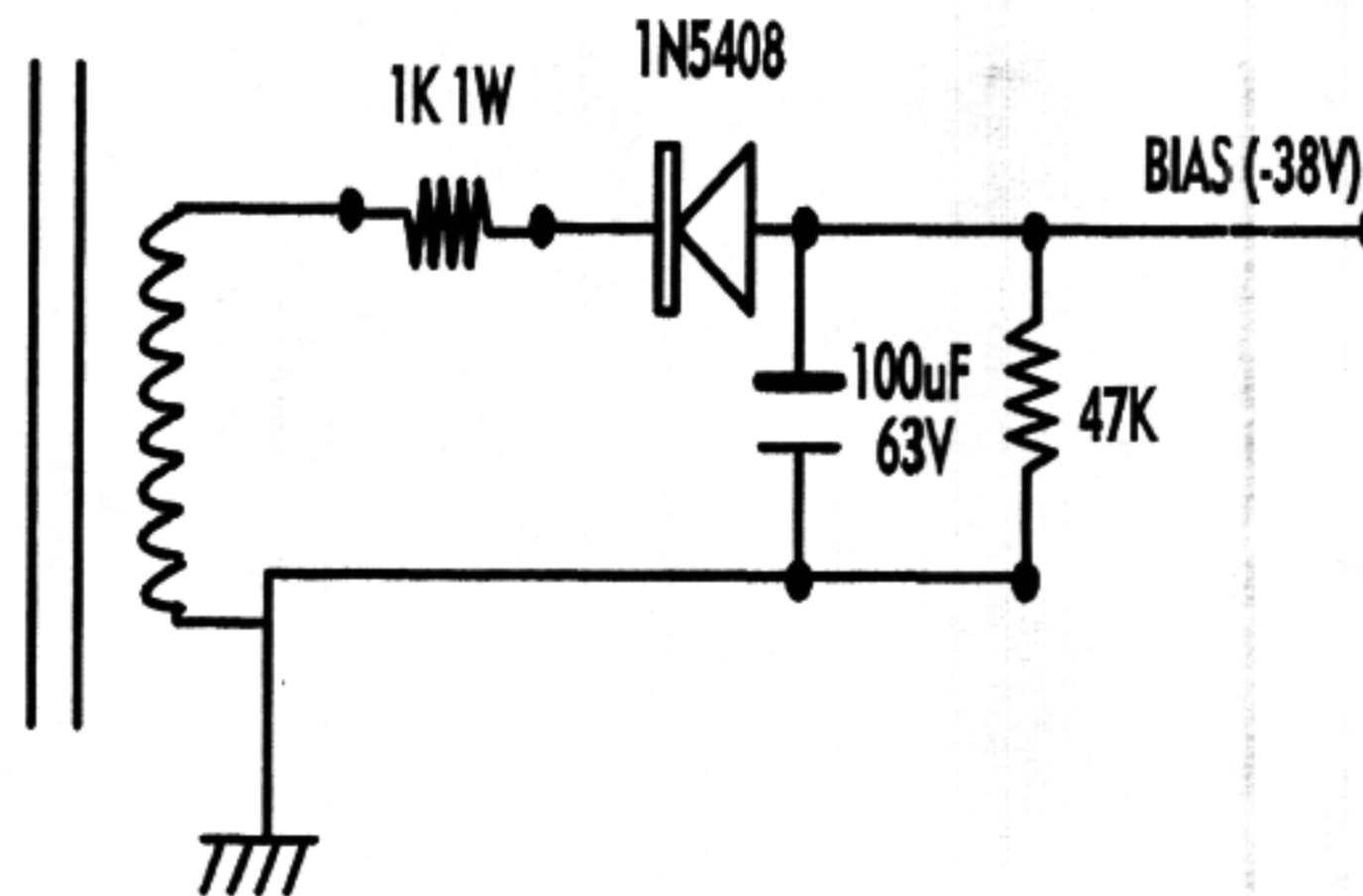
Loudspeaker input impedance : 4 Ohm, 8 Ohm, or 16 Ohm

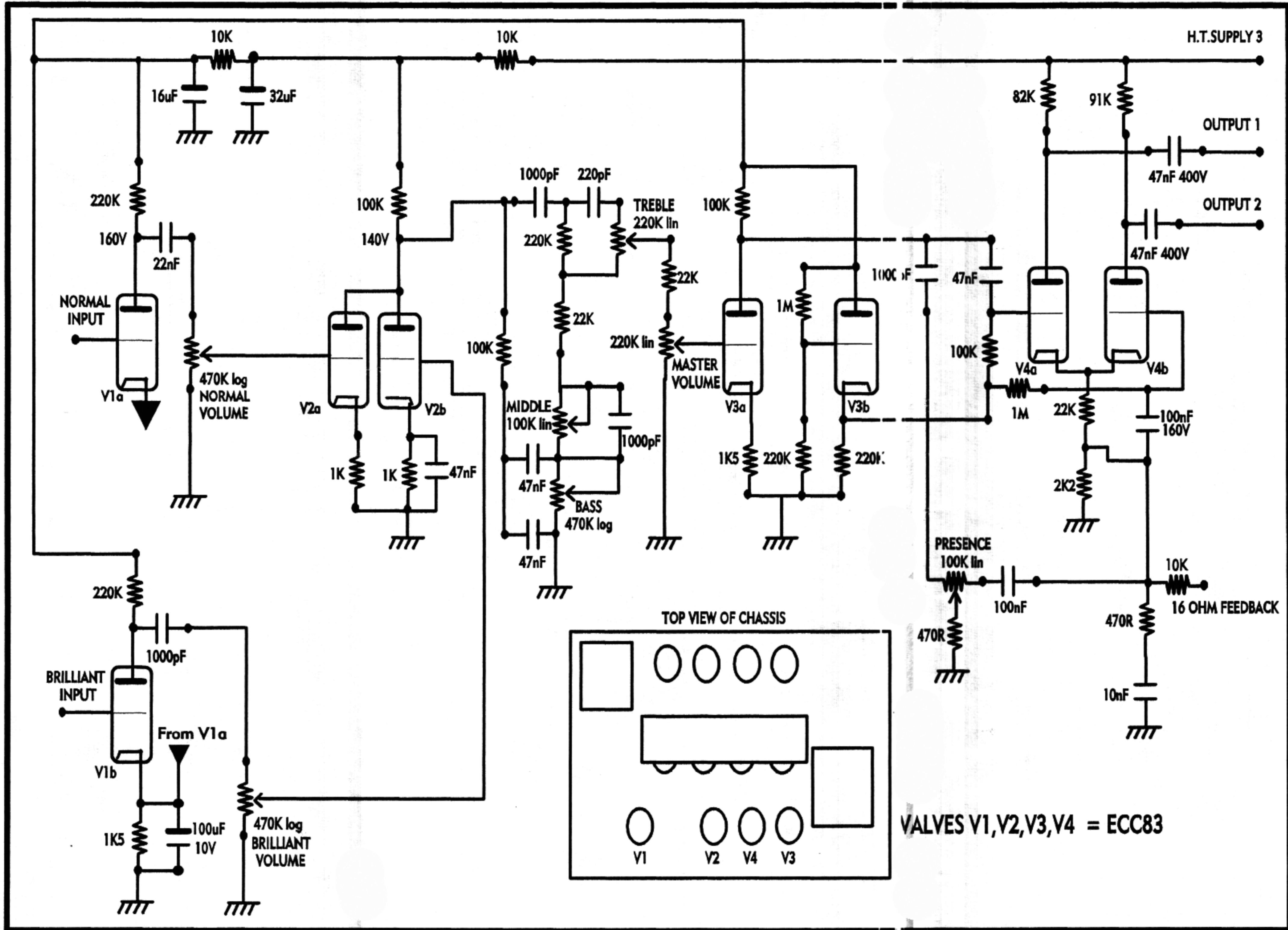
Dimensions : Width - 640mm Depth - 288mm Height - 269mm

Weight : 20.5Kgs



MAINS TRANSFORMER
TYPE TH7548/5



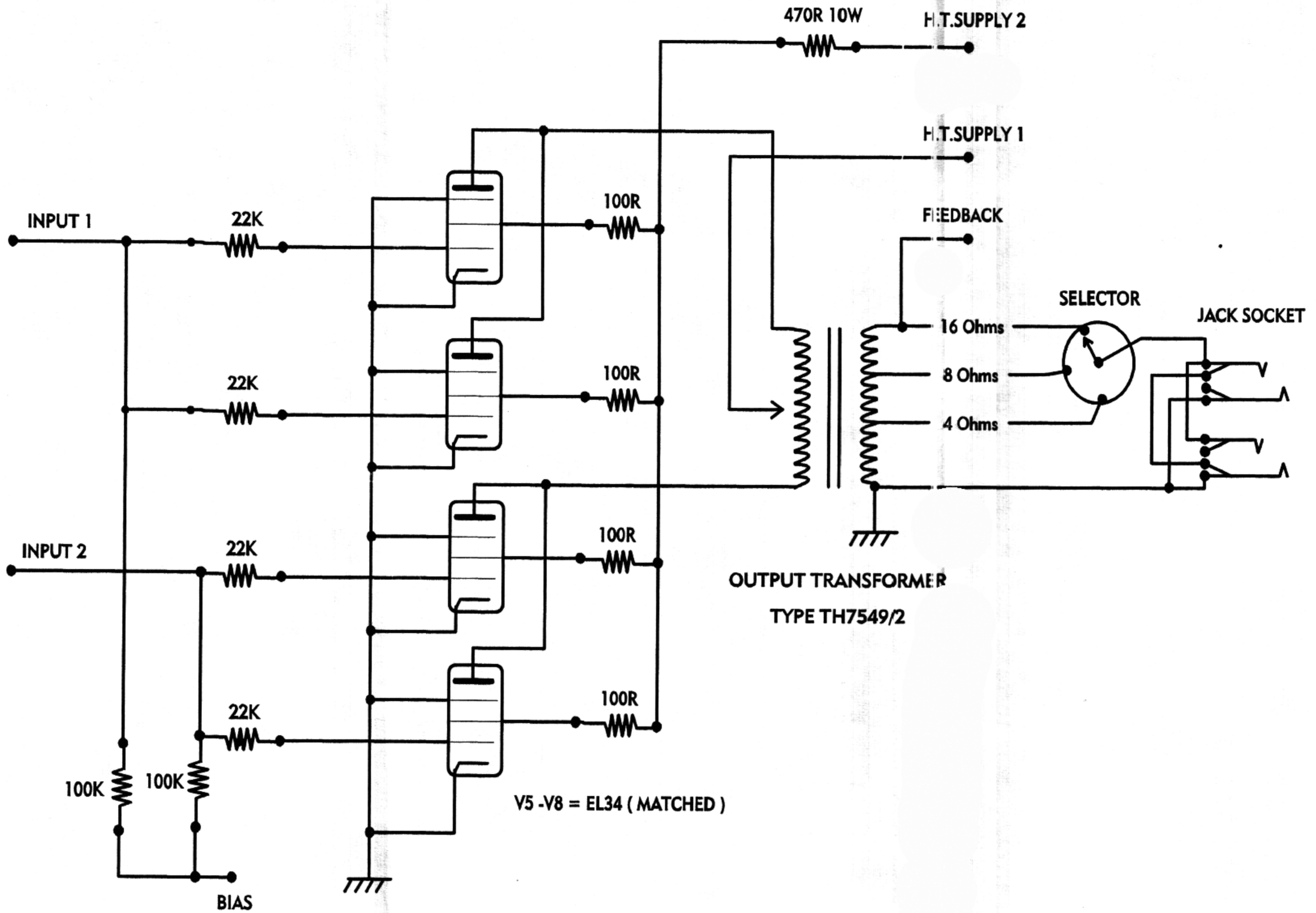


VALVES V1, V2, V3, V4 = ECC83

HIWATT DR103 PREAMPLIFIER CIRCUIT DIAGRAM

Drawn 19/05/95

Issue: 4. S/No. AB0309 Onwards



HIWATT DR103 OUTPUT STAGE CIRCUIT DIAGRAM

Drawn 25/04/94

Issue 1.