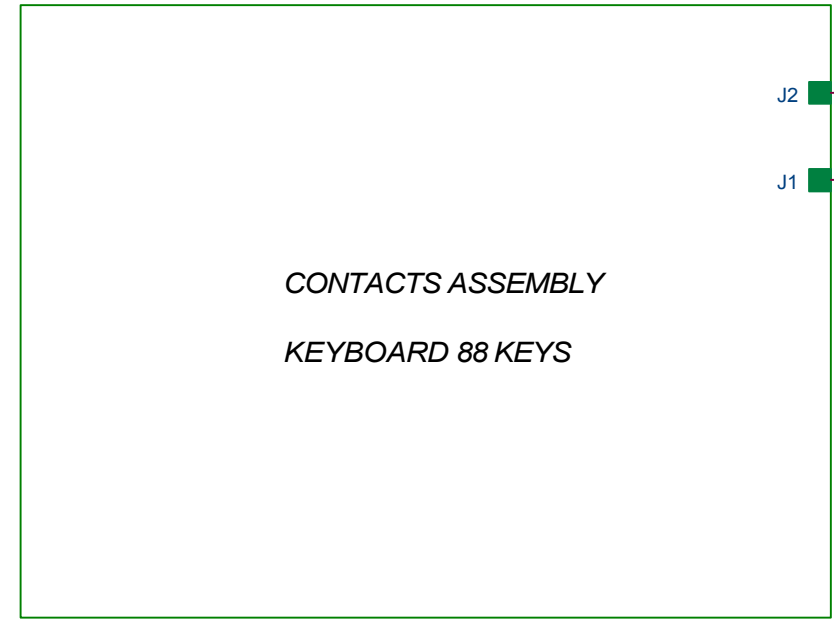


HOHNER

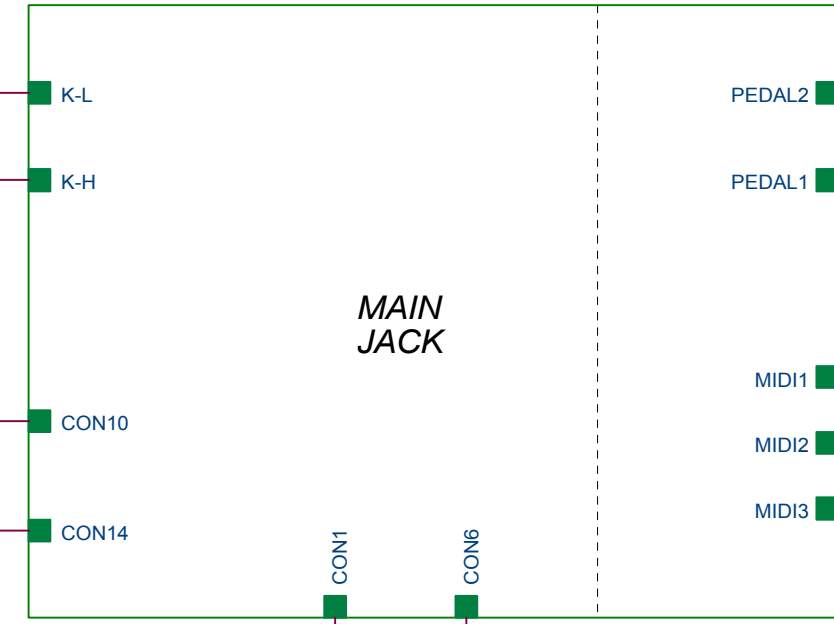
HDP 300

SCHEMATIC DIAGRAM

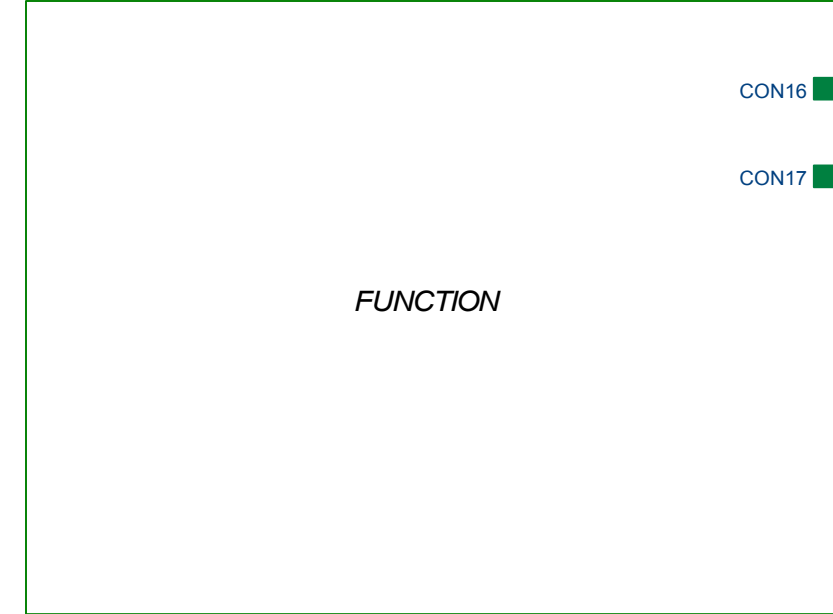
SHEET N. 2



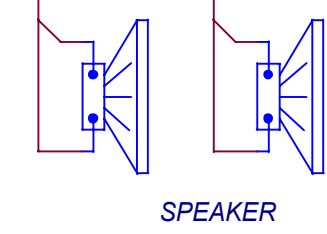
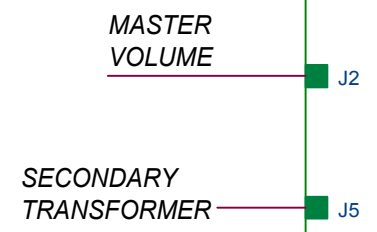
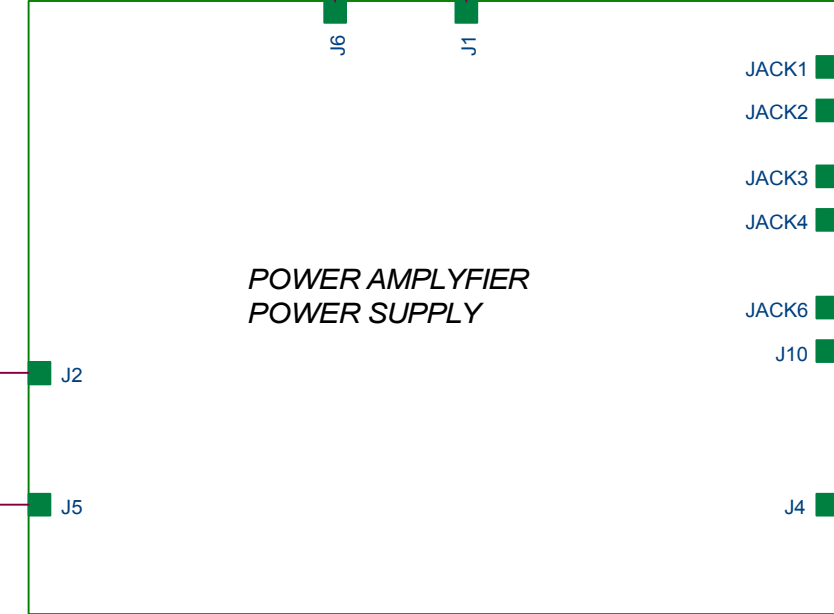
SHEET N. 5 - 6



SHEET N. 4

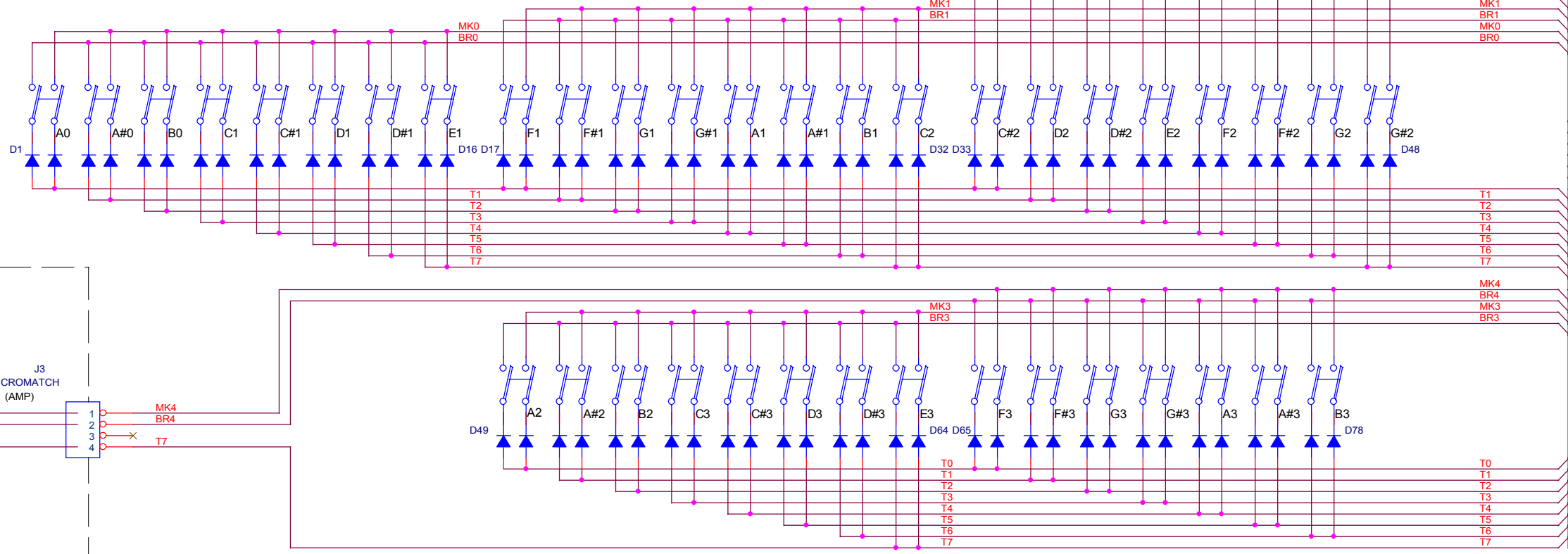


SHEET N. 3



HOHNER		Model	<i>HDP 300</i>
Size A	P.C.Board *	Object	BLOCK DIAGRAM
Date:	Thursday, December 23, 2004	Sheet	1 of 6

LEFT 39 KEYS



SEE K-L
SHEET N°6
MAIN

J1
MICROMATCH
(AMP)

SEE K-H
SHEET N°6
MAIN

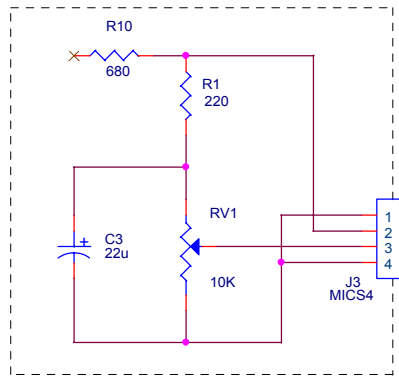
J2
MICROMATCH
(AMP)

J4
AMP
MICROMATCH

ALL DIODES ARE 1N4148

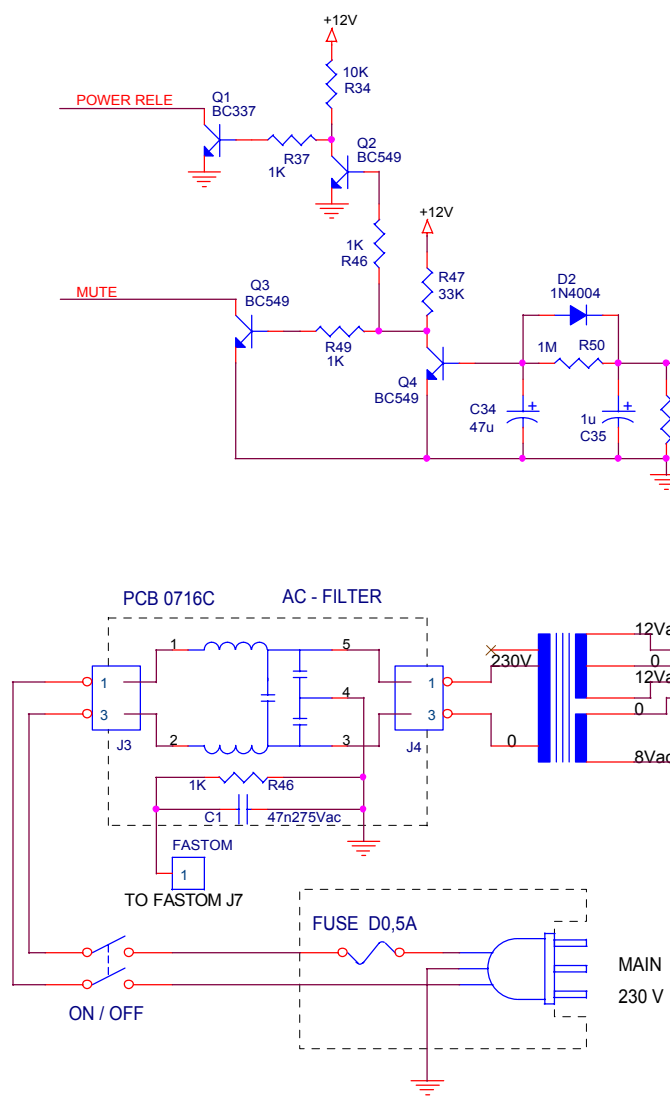
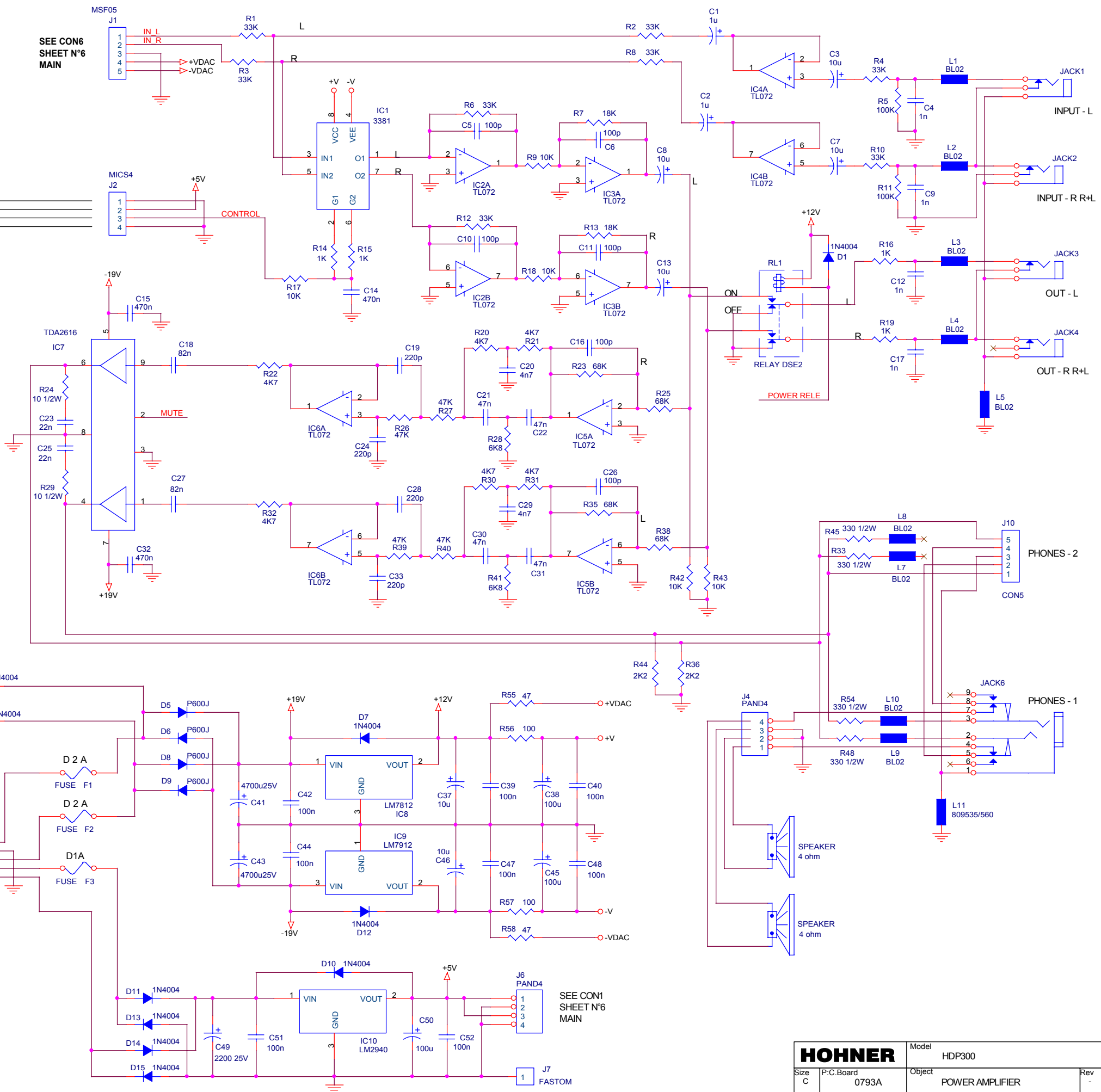
BR = 1° CONTATTO
MK = 2° CONTATTO

HOHNER		Model	HDP300
Size	P.C. Board	Object	CONTACTS ASSEMBLY KEYBOARDS 88 KEYS
C	FATAR-DF	Rev	-
Date:	Thursday, December 23, 2004	Sheet	2 of 6



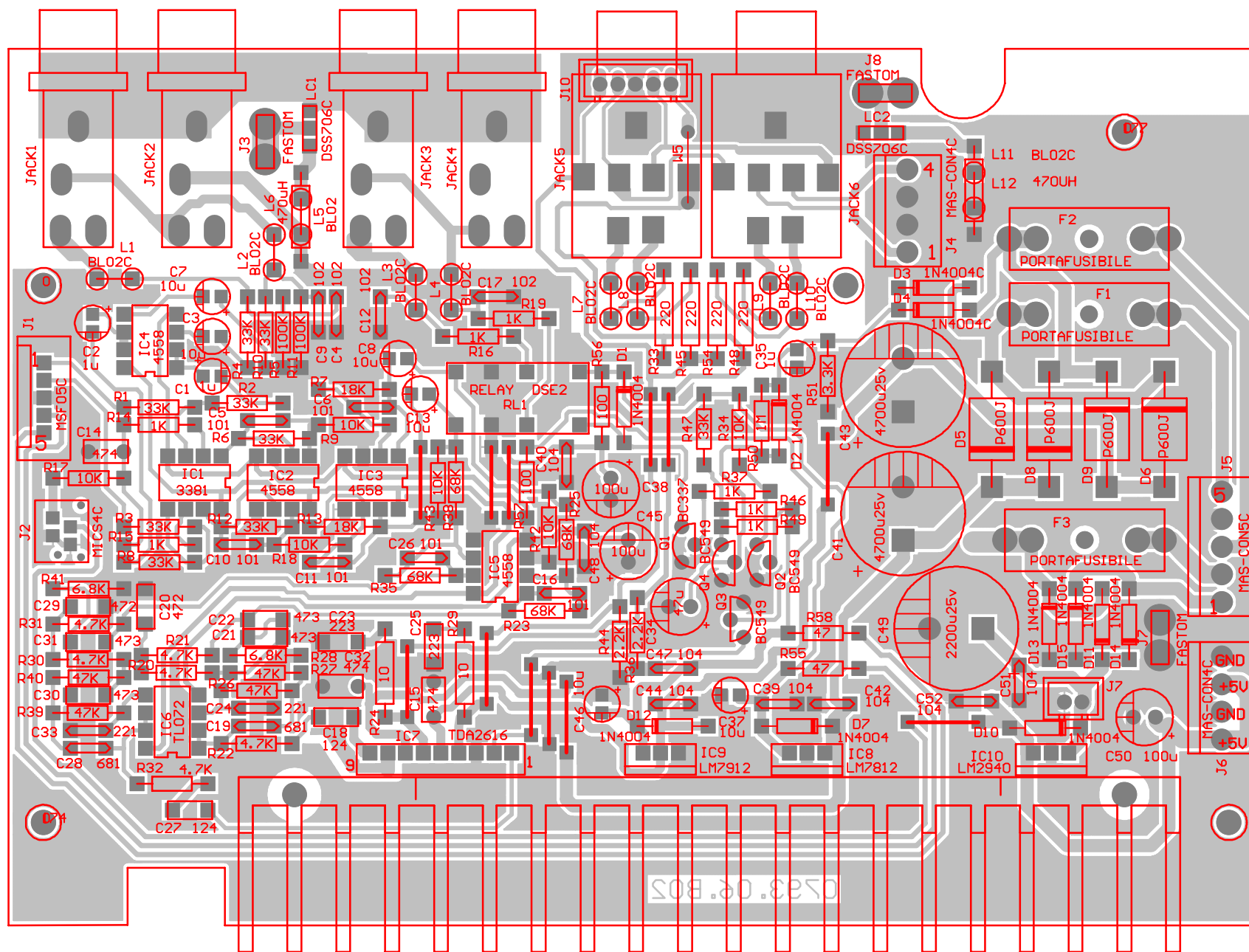
MASTER VOLUME

SEE CON6 SHEET N°6 MAIN

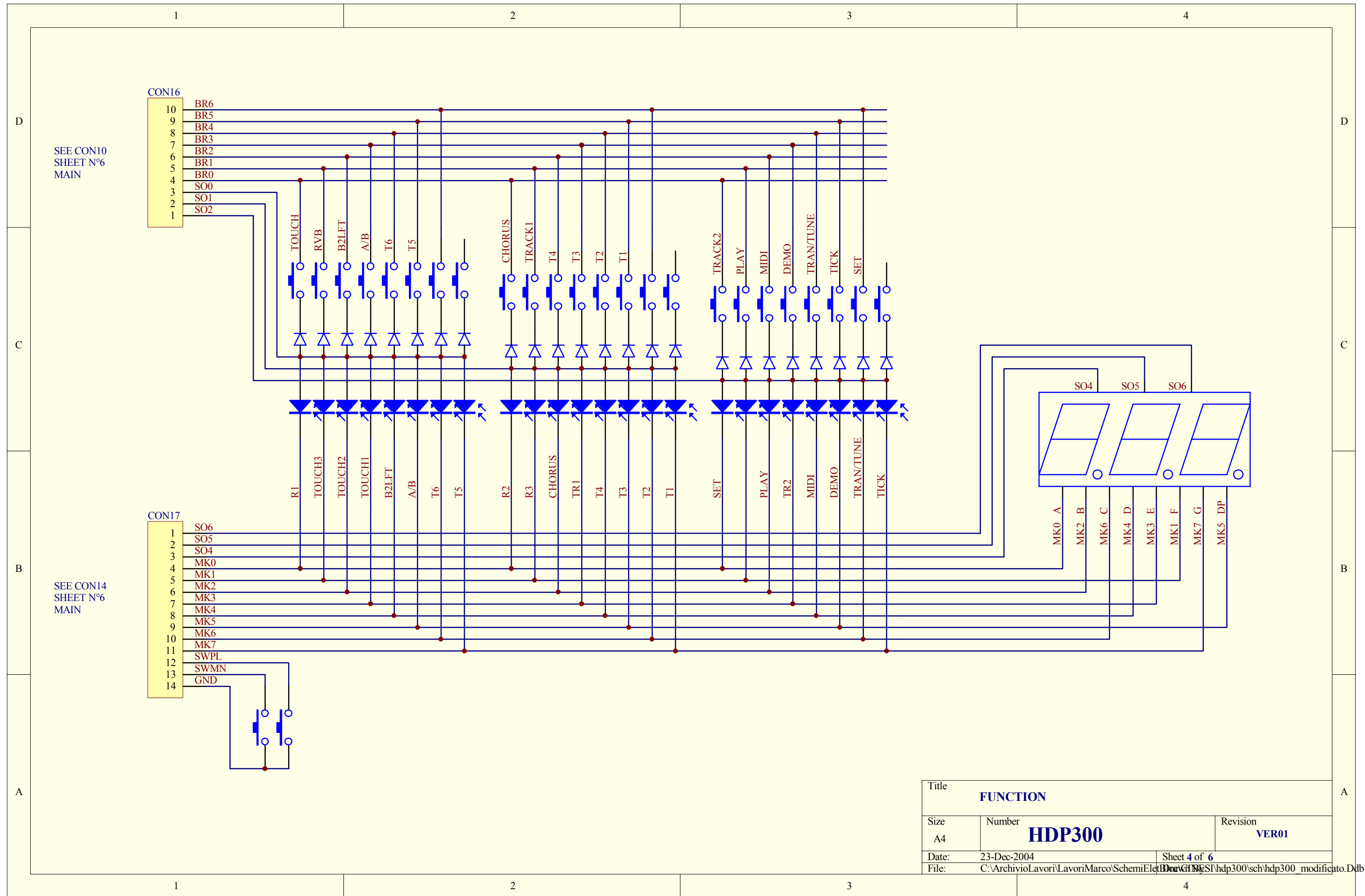


MAIN 230 V

HOHNER		Model	HDP300
Size C	P.C.Board	Object	POWER AMPLIFIER
	0793A		
Date:	Thursday, December 23, 2004	Sheet	2 of 6



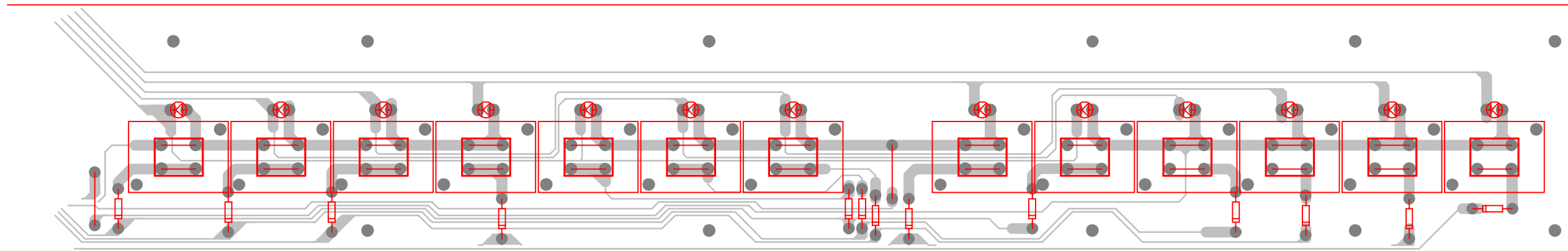
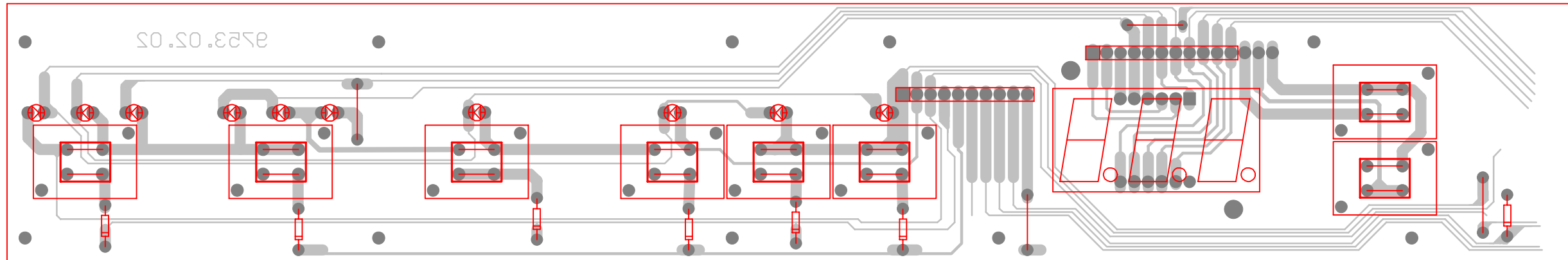
HOHNER	Object	P.C.Board
	Model	POWER AMPLIFIER
HDP 300		Rev. 03/01/05
		Sheet N. 3-A Of 6



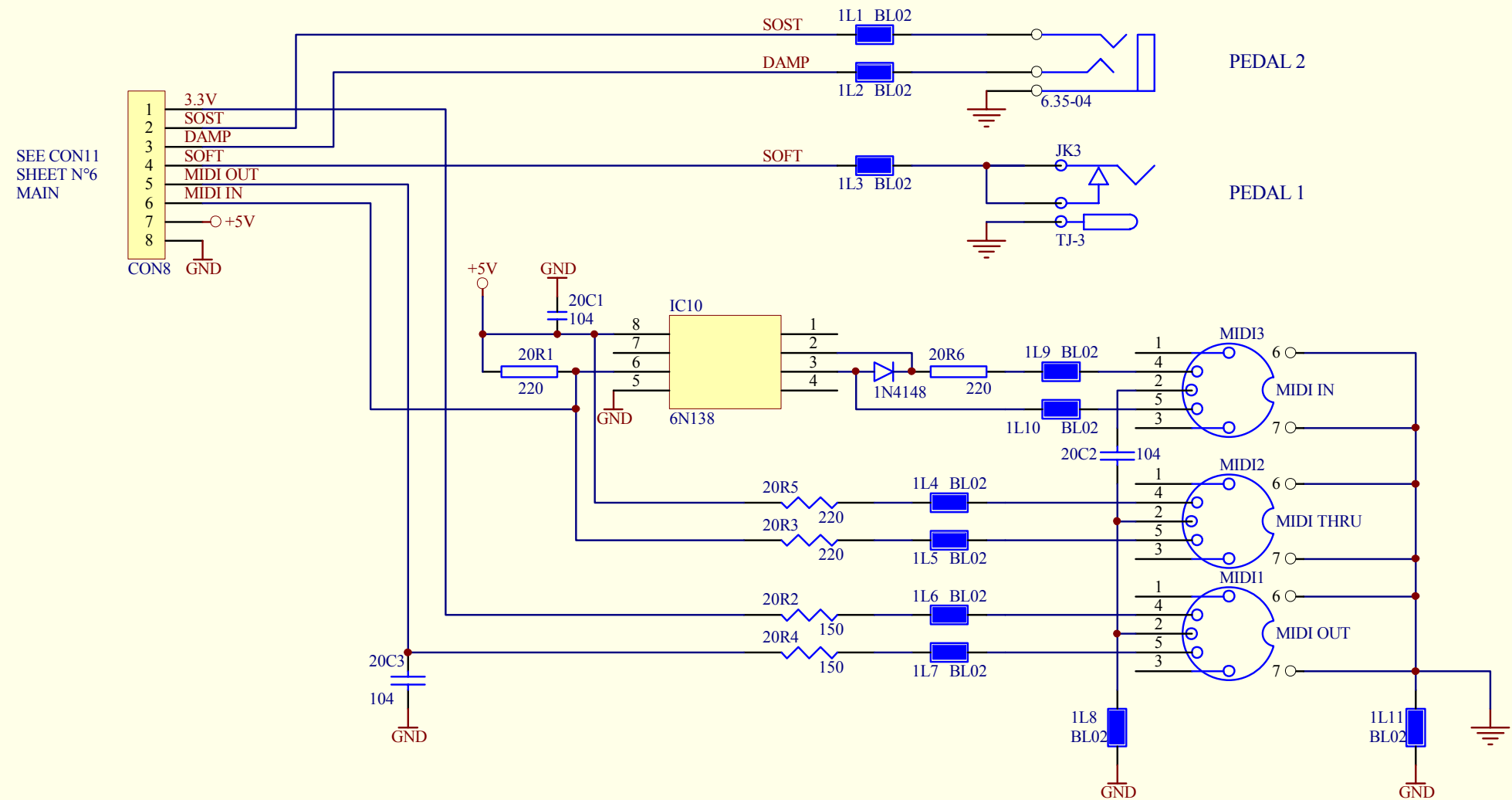
SEE CON10
SHEET N°6
MAIN

SEE CON14
SHEET N°6
MAIN

Title			FUNCTION		
Size	Number		Revision		
A4	HDP300		VER01		
Date:	23-Dec-2004		Sheet 4 of 6		
File:	C:\ArchivioLavori\Lavori\Marco\SchemiEletronici\HDP300\hdp300_modificato.Dtb				

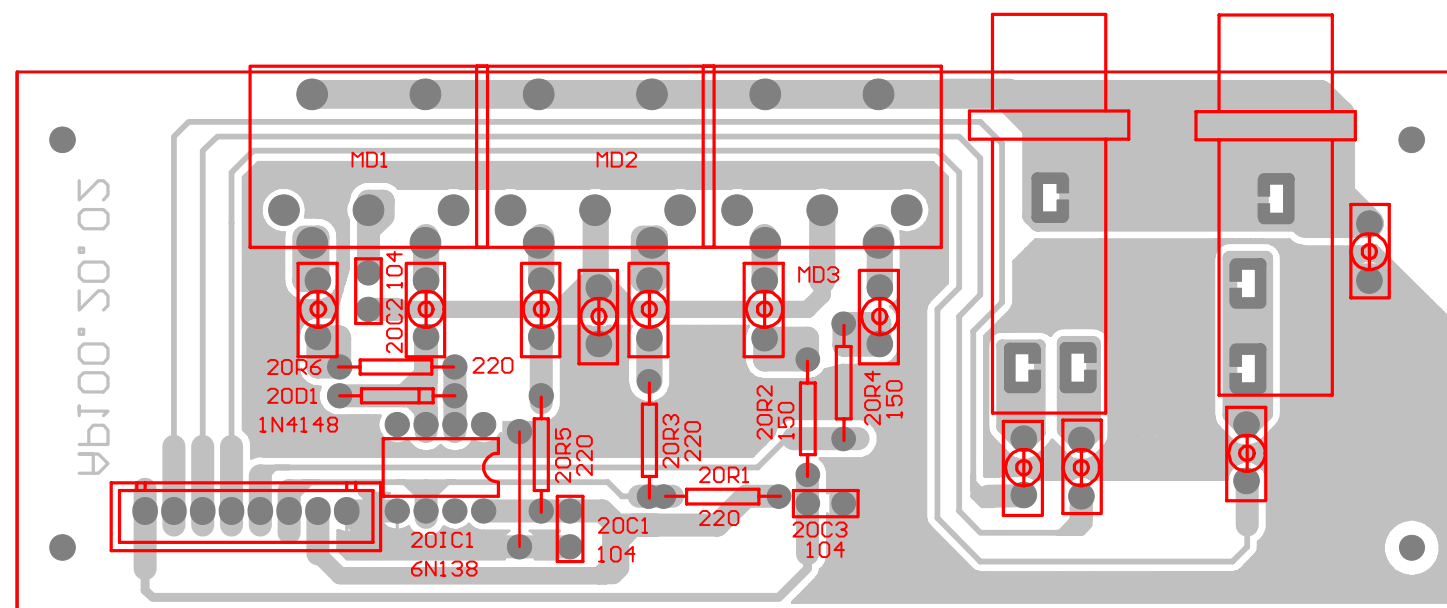


HOHNER	Object	P.C.Board	
		Model	Rev. 03/01/05
HDP 300	FUNC	Sheet N. 4-A	Of 6

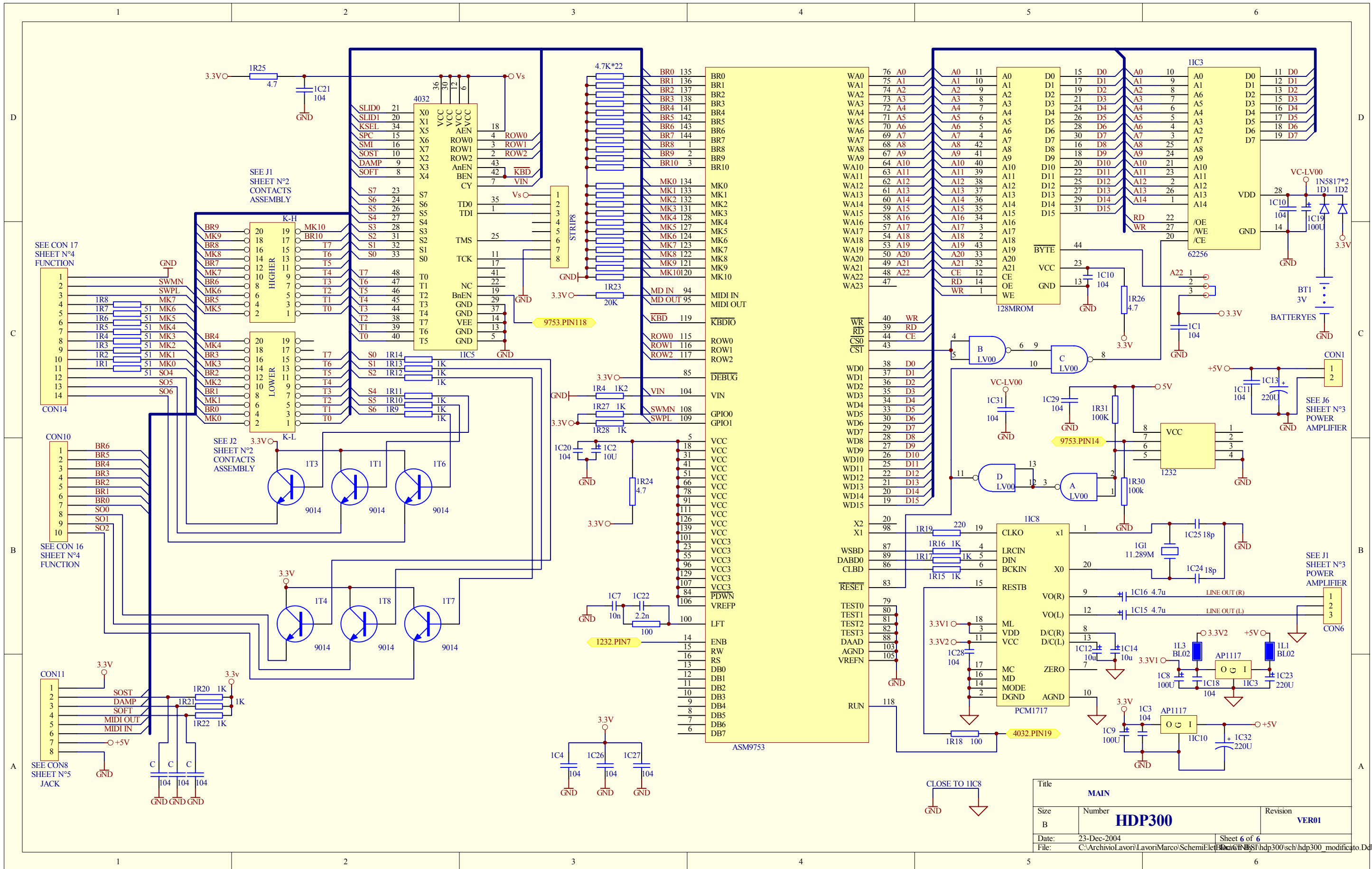


SEE CON11
SHEET N°6
MAIN

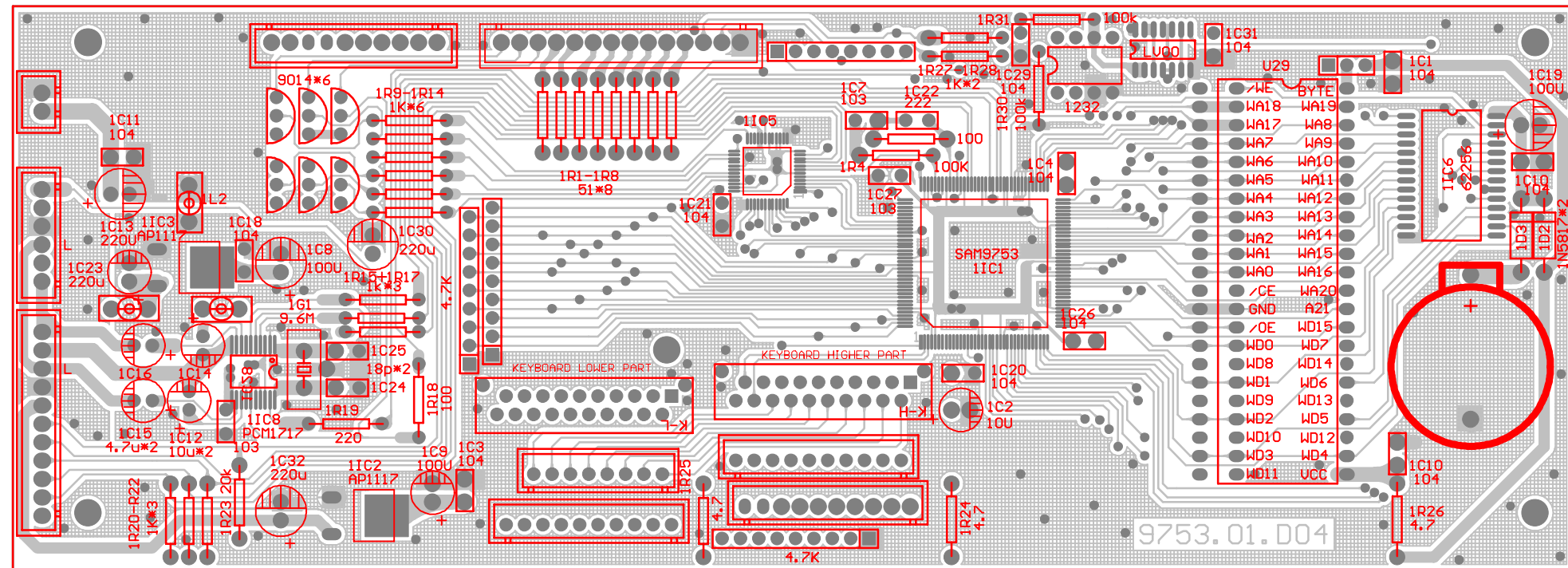
Title		
JACK		
Size	Number	Revision
A4	HDP300	VER01
Date:	23-Dec-2004	Sheet 5 of 6
File:	C:\ArchivioLavori\Lavori\Marco\SchemiElettronici\BNC\HDP300\sch\hdp300_modificato.Dtb	



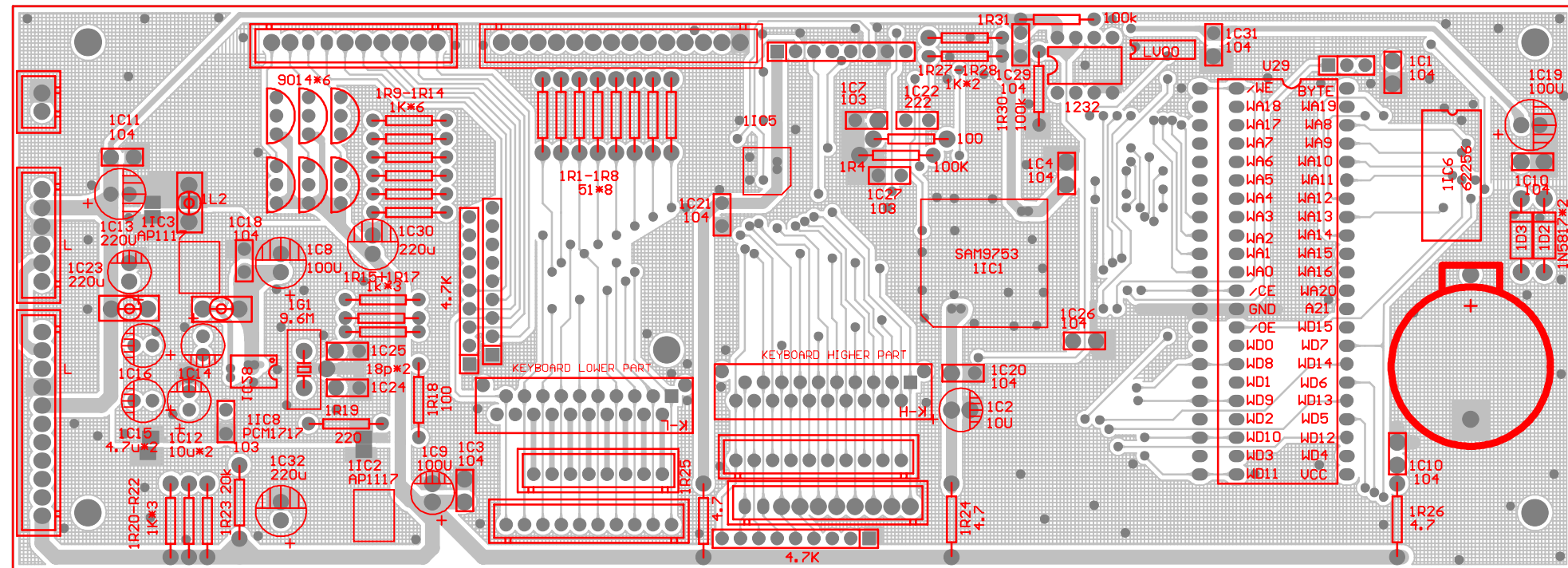
HOHNER	Object JACK	P.C. Board	
		Rev. 30/12/04	
Model HDP 300		Sheet N. 5-A	
		Of ----- 6	



Title			MAIN		
Size	Number	Revision			
B	HDP300	VER01			
Date:	23-Dec-2004	Sheet 6 of 6			
File:	C:\ArchivioLavori\Lavori\Marco\SchemiEletronici\HDP300\sch\hdp300_modificato.Dtb				



HOHNER	Object	P.C. Board
	Model	Rev. 30/12/04
HDP 300	MAIN	Sheet N. 6-A
		Of 6



HOHNER	Object	P.C. Board
	MAIN	Rev. 30/12/04
Model		Sheet N. 6-A
HDP 300		Of _____ 6