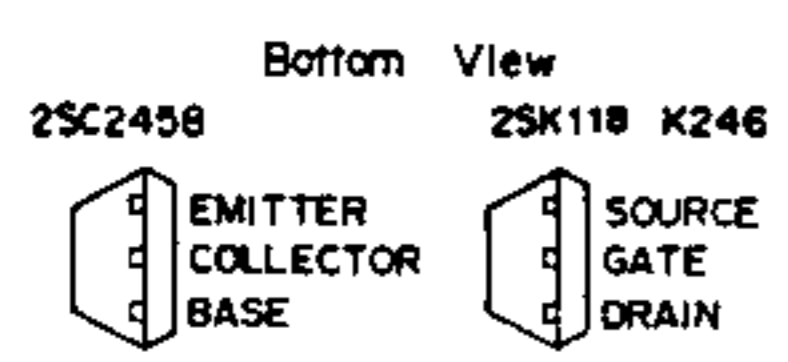
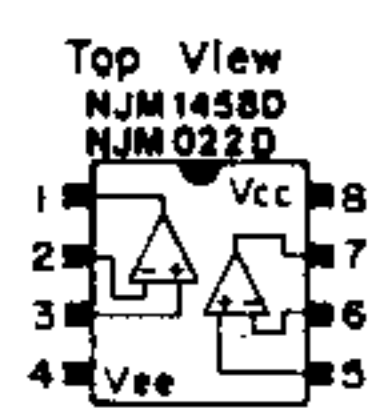
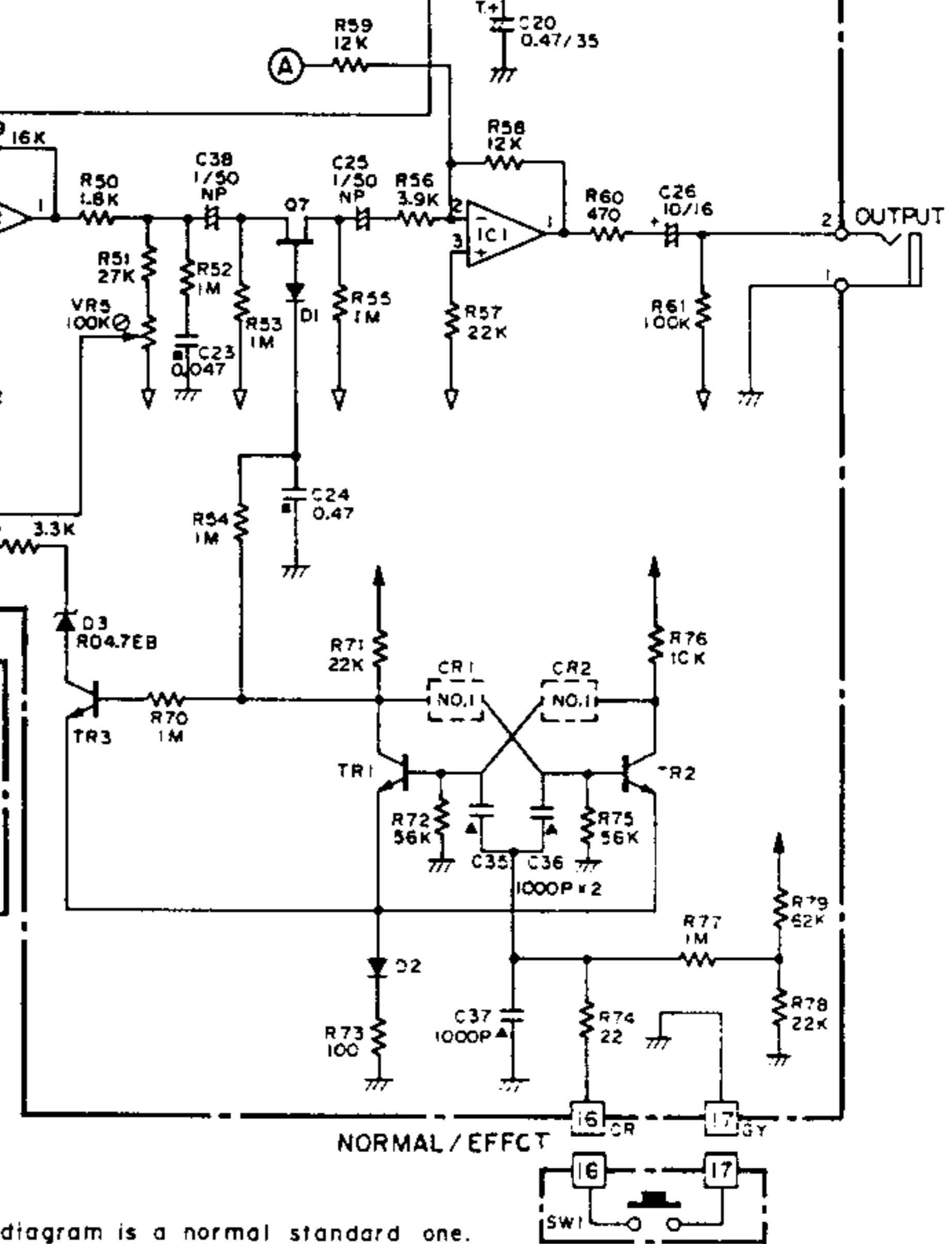
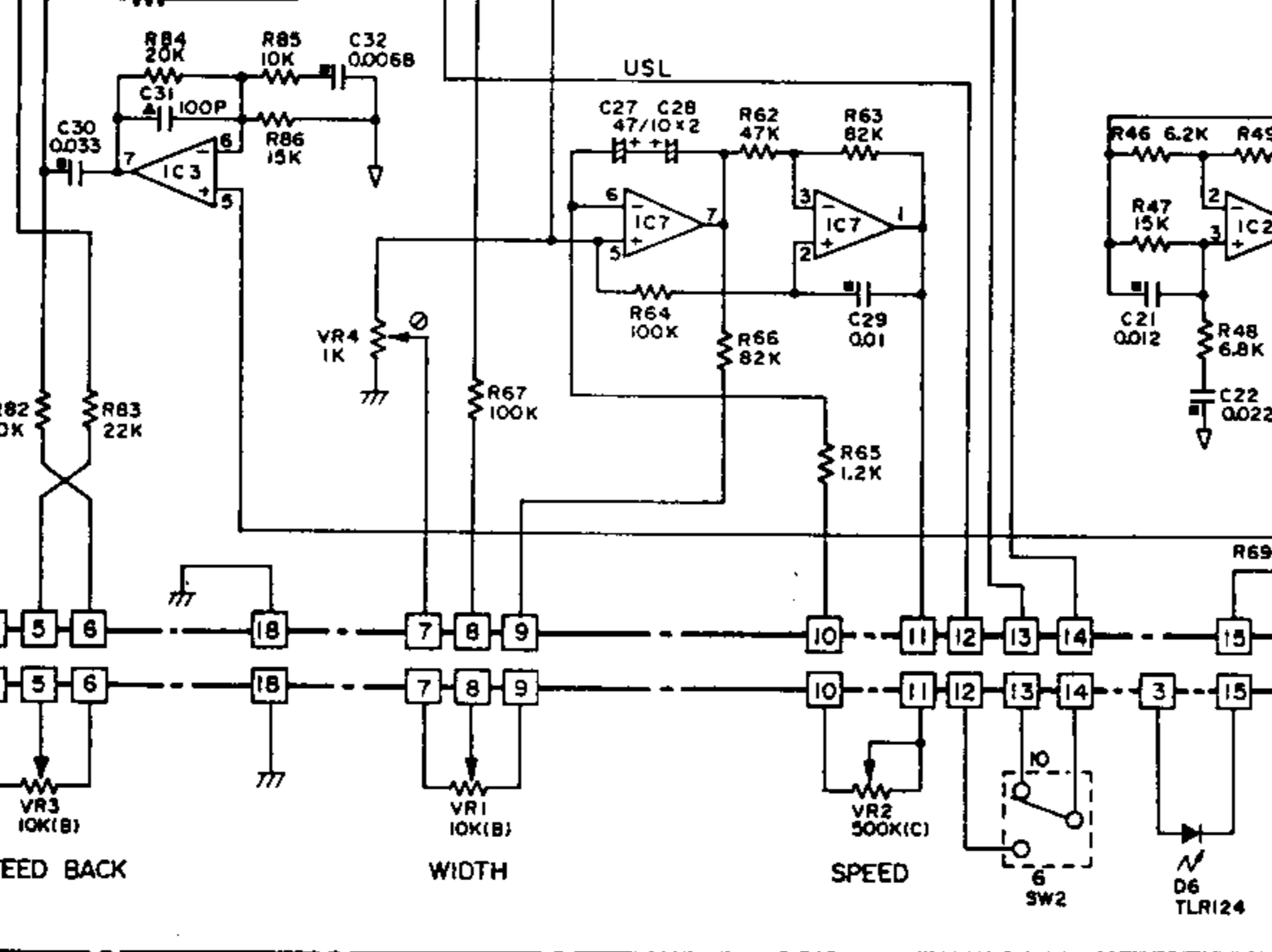
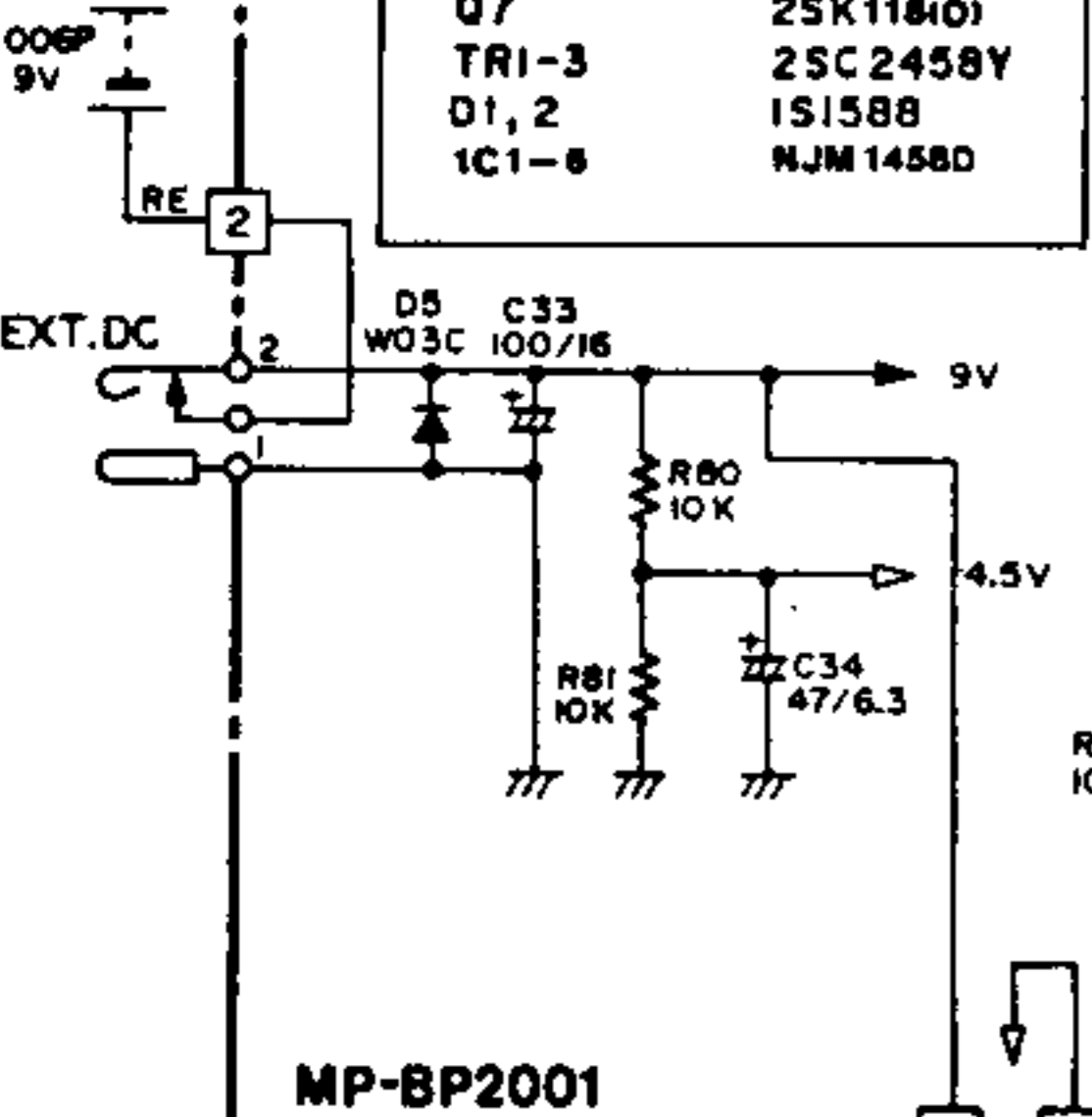


IC, TR, D List

IC7	NJM022D
Q1-6	2SK246GR
Q7	2SK118(O)
TR1-3	2SC2458Y
D1, 2	1S1588
IC1-6	NJM1458D



NOTES

- ▲ : CERAMIC capacitor. All ceramic capacitors are above 25V rating.
- : FILM capacitor. All film capacitors are above 50V rating.
- NP : NON POLAR capacitor.
- T : TANTALUM capacitor.

And all capacitors are ELECTROLYTIC capacitors, unless otherwise marked. Unless otherwise indicated:
Resistance in Ω, K=KΩ, M=MΩ Resistors. 1/4W ±5% rating
Capacitance in P=PF, μ=μF

CAUTION

This schematic diagram is a normal standard one. The parts rating and/or schematic diagram will be changed without notice.