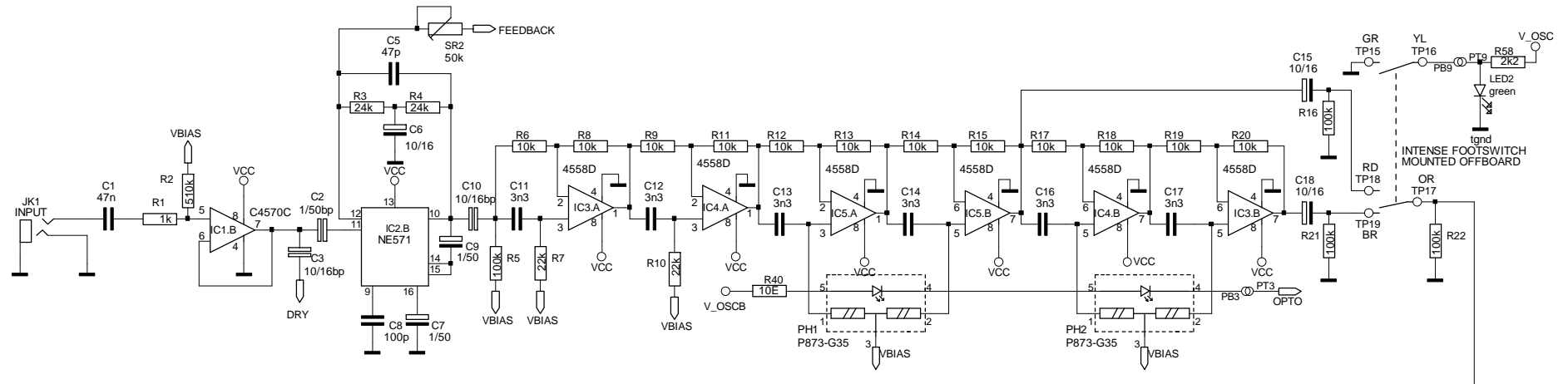
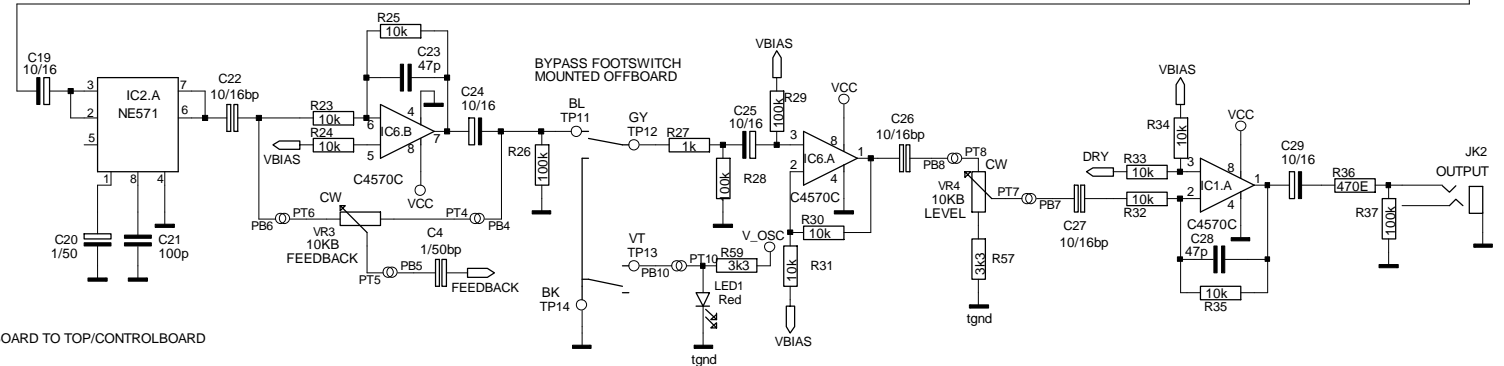


D



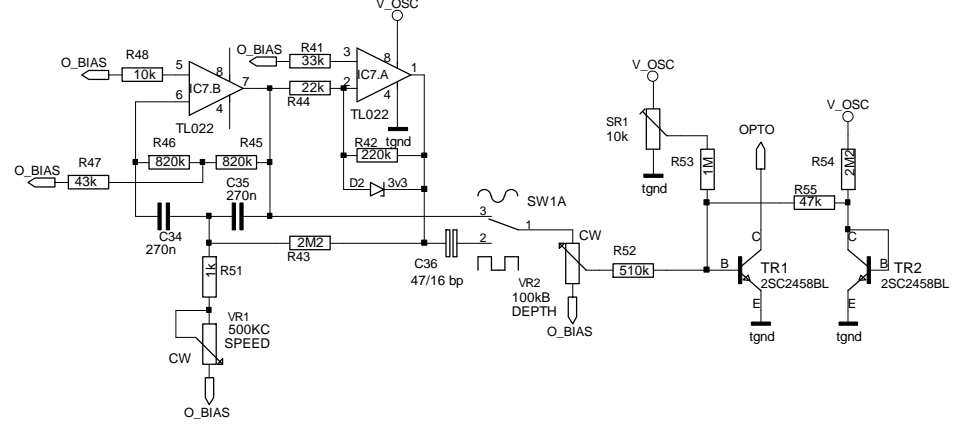
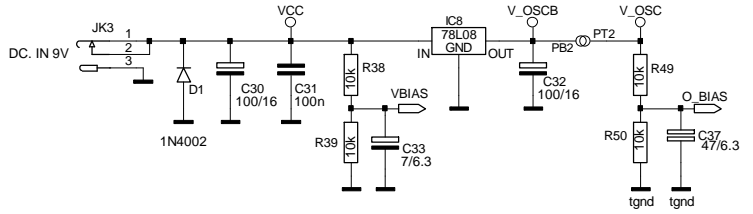
C



B

NOTES:

- * SYMBOL SHOWS CONNECTION FROM BOTTOMBOARD TO TOP/CONTROLBOARD
- * ALL DIODES ARE SMALL SIGNAL SILICON
- * ELECTROLYTICS WITH BP SUFFIX ARE BIPOLAR TYPES



A

Dirk Hendrik		
REV: C	DATE: 30 OCTOBER 2008	DRAWN: DIRK_HENDRIK
PROJECT: IBANEZ PH99		
COMPANY: ADDRESS: CITY: AMSTERDAM COUNTRY: HOLLAND		
INITIAL	26 FEBRUARY 2008	PAGE: 1 OF: 1

D

C

B

A