

MusicParts.Com

Technical Document Distribution

Brand:	Ibanez
Model	SDR1000
Product:	Stereo Digital Reverb
Description:	Service Manual

Musicparts Document Number: 45074	TechTips: No	Pages: 29	Dated: 1986
-----------------------------------	--------------	-----------	-------------

Hello,

Welcome to MusicParts.Com, Inc. your online resource for technical documents and service information. This PDF package may contain information, schematics, parts lists, images, engineering changes, previous versions, circuit descriptions, and many other unique features about the product you have chosen. This document was assembled from a variety of sources and is the result of our many years in the music repair business.

TECHTIPS: Unique to Musicparts documents are **TECHTIPS** located in critical areas on the schematics. They contain useful information about that area of the schematic such as common problems that we have found and recommended changes. Not all documents will have TechTips.

NOTE: Large original over-sized drawings will need to be taped together. We feel this is better than reducing them and losing fine details.

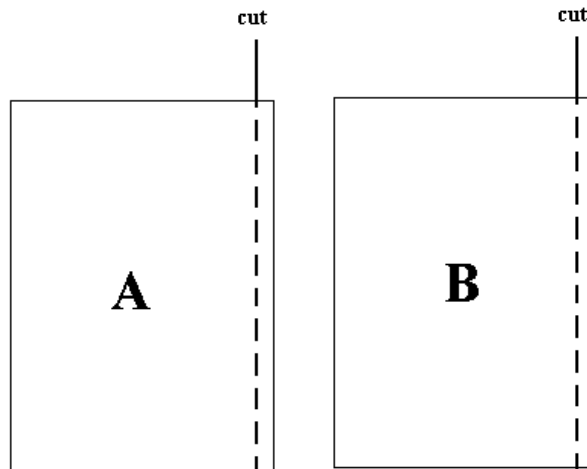
VIEWING: This document is utilizing PAGE-ON-DEMAND downloading. This will let you navigate to any page without waiting for the entire file to download.

PRINTING: For the best quality, we highly recommend that when the print dialog appears, please **make sure "SHRINK OVERSIZED PAGES " is checked.**, otherwise you may cut off the edge of the page. Also please stay online while printing this document to make sure you get all the pages.

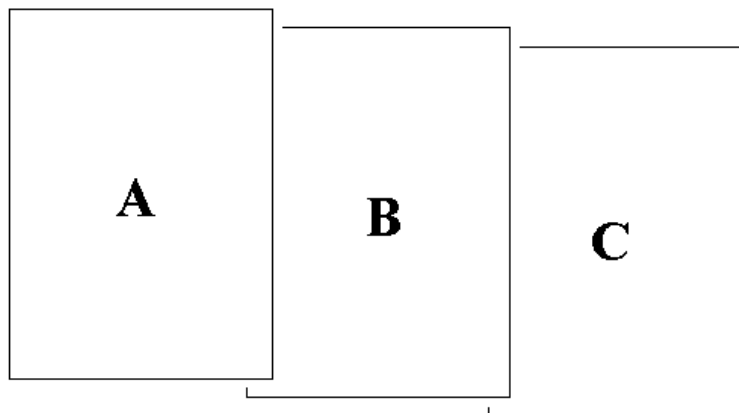
Visit us on the web at: <http://www.musicparts.com/>
Email us at: customerservice@musicparts.com

MusicParts.Com

Pasteup Guide



It's ok to slightly cut into the black print, as documents contain an intentional extended overlapping printed area.



Only one trim cut per page is needed, then overlay as shown and tape.




SERVICE MANUAL

STEREO DIGITAL REVERB SDR1000


SPECIFICATIONS

■ Factory Program	(ROM) 30
■ User Program	(RAM) 70
■ Parameters	REV. T/PRE-DELAY/E. REF. T/E. REF. LEV/RT. HIGH/ SIZE/GATE T/F. B. LEV/TAP/DEPTH/SPEED/EFF. LEV LOW/L. MID/H. MID/HIGH PROG. NO/MEMORY/MIDI CH
EQ	
MIDI	
■ Remote Control	
Memory Up	Phone Jack (FS1M)
Memory Down	Phone Jack (FS1M)
Effect ON/OFF	Phone Jack (FS1M)
Hold ON/OFF	Phone Jack (FS1M)
Remote	DIN 6P (IFC 60)
MIDI IN	DIN 5P
■ MIDI Remote Control	Program change OMNI ON/OFF
■ Displays	
FL	8 digit, 8 segment
LED	Input level indicator/Stereo 7 segment/Channel
LED	5 FUNCTION KEYS, 14 PARAMETER KEYS, and BYPASS
■ Level Control	Input level control/Stereo
Dry	Direct signal output level control
Effect	Processed signal output level control
■ BYPASS	ON/OFF (Power OFF: BYPASS ON)
■ Frequency Response	
Direct	20 – 20 kHz
Effect	20 – 10 kHz
■ Dynamic Range	More than 90 dB
■ Total Harmonic Distortion	Less than 0.03%
■ Digital Cording	16 bit linear PCM
■ Sampling Rate	26 kHz
■ Equalizer	
Low	100 Hz -12 ~ +12 dB
L. Mid	400 Hz -12 ~ +12 dB
H. Mid	1.6 kHz -12 ~ +12 dB
High	6.4 kHz -12 ~ +12 dB
■ Audio Input	Phone Jack x 2, RCA Pin Jack x 2
Input Level	-20, +4 dBv
Input Impedance	10 kohms
■ Audio Output	Phone Jack x 2, RCA Pin Jack x 2
Output Level	-20, +4 dBv
Output Impedance	600 ohms
■ Power	J Model; 50, 60 Hz 100 V AC US, CA Model; 60 Hz 120 V AC AE Model; 50, 60 Hz 220 V AC Other countries; 50, 60 Hz 240 V AC (220 V AC set by internal switch)
■ Power Consumption	J Model; 20 W Other countries; 28 W
■ Dimension	482 (W) x 44 (H) x 320 (D) mm
■ Weight	4.5 kg

SAFETY-RELATED COMPONENT WARNING!!

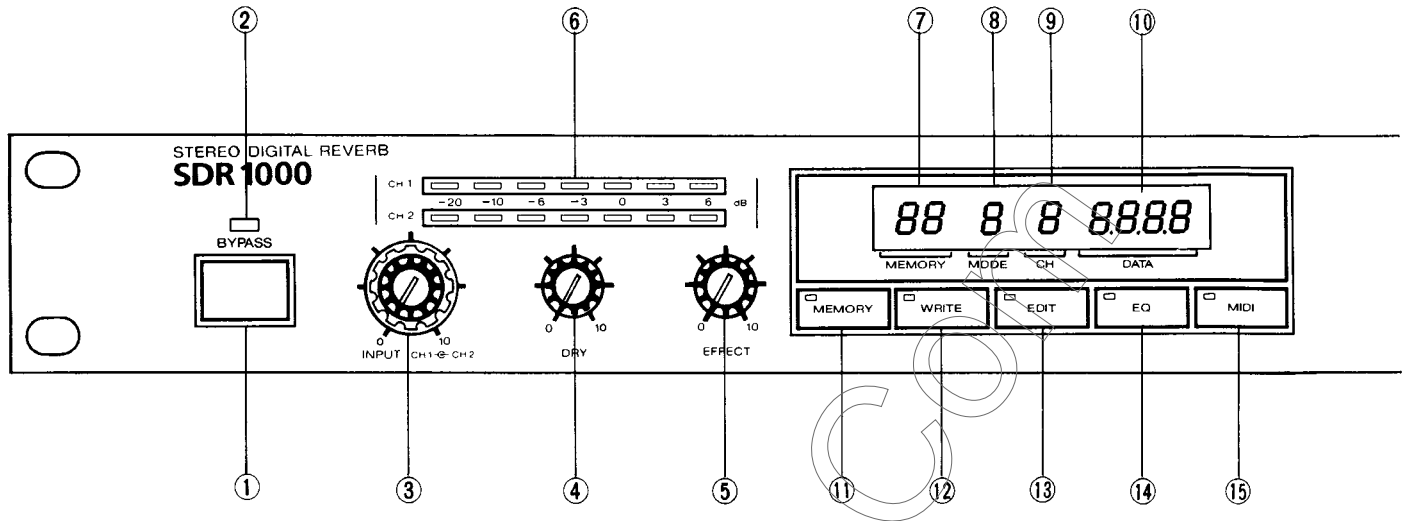
COMPONENTS IDENTIFIED BY SHADING AND MARK  ON THE SCHEMATIC DIAGRAMS AND IN THE PARTS LIST ARE CRITICAL TO SAFE OPERATION. REPLACE THESE COMPONENTS WITH IBANEZ PARTS WHOSE PART NUMBERS APPEAR AS SHOWN IN THIS MANUAL OR IN SUPPLEMENTS PUBLISHED BY IBANEZ.

ATTENTION AU COMPOSANT AYANT RAPPORT A LA SÉCURITÉ!

LES COMPOSANTS IDENTIFIÉS PAR UNE TRAME ET UNE MARQUE  SUR LES DIAGRAMMES SCHEMATIQUES ET LA LISTE DES PIÈCES SONT CRITIQUES POUR LA SÉCURITÉ DE FONCTIONNEMENT. NÉ REMPLACER CES COMPOSANTS QUE PAR DES PIÈCES IBANEZ DONT LES NUMÉROS SONT DONNÉS DANS CE MANUEL OU DANS LES SUPPLÉMENTS PUBLIÉS PAR IBANEZ.

OPERATIVE DESCRIPTIONS

a) Front Panel



① BYPASS SWITCH

This switch is used to turn the reverb effect on and off.

② BYPASS LED

This LED lights when the unit is in bypass (reverb effect off).

③ INPUT LEVEL

This controls the level of input signal going into the unit. It is a "concentric" control. That is, the knob is "split" into separate "outer" and "inner" sections. The outer knob controls the input level of Channel 1, and the inner knob controls the input level of Channel 2. For both knobs, clockwise rotations increase the input level. If you wish to adjust both channels at the same levels, match the markers on both knobs.

④ DRY LEVEL

This controls the amount of "dry", or unprocessed signal that appears in the output signal, when the reverb effect is on. Clockwise rotations increase the amount of dry signal. When the reverb effect is off, it has no effect on the output level. DRY LEVEL is used along with 5) EFFECT LEVEL to control the mix of dry and effect signals in the output signal.

⑤ EFFECT LEVEL

This controls the amount of "effect", or processed signal that appears in the output signal, when the reverb effect is on. Clockwise rotations increase the amount of effect signal. When the reverb effect is off, it has no effect on the output level. EFFECT LEVEL is used along with 4) DRY LEVEL to control the mix of dry and effect signals in the output signal.

⑥ INPUT LEVEL LEDS

These LEDs are used along with 3) INPUT LEVEL to adjust the optimum input level. The LEDs are labelled in "dB" levels, with "0 dB" representing the optimum input level. The procedure for setting the optimum input level is discussed in section 1-4. a. 3) of this manual.

⑦ MEMORY DISPLAY

These two digits indicate the SDR1000 memory location that has been recalled for playback, copying or editing. The 30 factory preset programs reside in locations "00" through "29". Note that these programs cannot be erased. The 70 user-preset programs reside in locations "30" through "99". These locations can be edited, copied and erased.

⑧ MODE DISPLAY

This single digit indicates which of the SDR1000's modes (reverb and delay effects) is being used in a particular memory location. The eight modes are numbered from "0" to "7".

⑨ CHANNEL DISPLAY

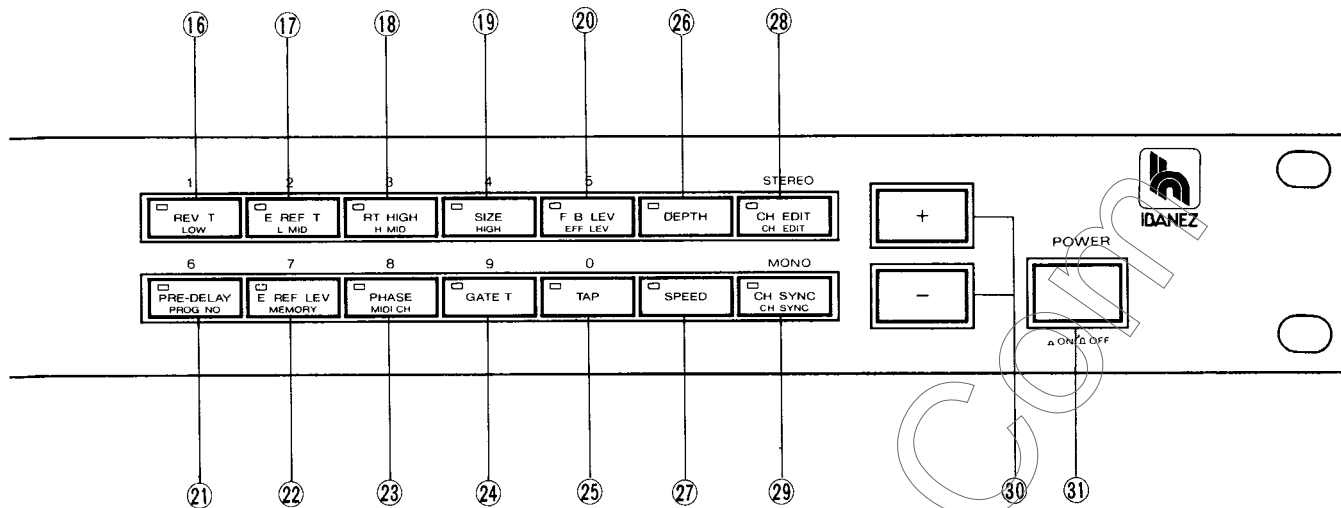
This single digit indicates the SDR1000 channel that is being edited in the "Parameter Edit" and "EQ Edit" functions. It also identifies multi-channel patches when they are recalled.

⑩ DATA DISPLAY

These four digits indicate various data depending on what operation the user is performing. When recalling and using various memory locations, these digits will indicate the "Reverb Time" set in that location. The other data displayed by these digits are discussed throughout section 1-4. of this manual.

⑪ MEMORY KEY

This key is used to call up a particular memory location for playback, copying or editing. The procedure for calling up memory locations is discussed in section 1-4. b. of this manual. When this key is used, or when an operation concerning this key is occurring, the key's LED will light.



12 WRITE KEY

This key is used to enter an edited program into memory, or to copy a program into another location. The "Program Copy" function are discussed in sections 1-4. c. and 1-4. d. of this manual. When this key is used, or when an operation concerning this key is occurring, the key's LED will light.

13 EDIT KEY

This key is used when it is desired to edit a parameter(s) in a program (in any memory location). The "Parameter Edit" function is discussed in section 1-4. c. of this manual. When this key is used (when the "Parameter Edit" function is used), the key's LED will light.

14 EQ KEY

This key is used when it is desired to edit the EQ (equalizer) settings of a particular program (in any memory location). The "EQ Edit" function is described in section 1-4. c. 4) of this manual. When this key is used (when the "EQ Edit" function is used), the key's LED will light.

15 MIDI KEY

This key is used when it is desired to enter or change the unit's MIDI channel or MIDI receiving mode. It is also used when a memory location is to be assigned to a MIDI patch number. For a discussion of the SDR-1000's MIDI operation refer to section 1-4. e. of this manual. When this key is used (when the "MIDI Edit" function is used) the key's LED will light.

16 REVERB TIME KEY

This key serves three purposes. It serves as the number "1" key for the "Memory Select" and "Program Copy" functions. In the "Parameter Edit" function this key calls up the "Reverb Time" parameter for editing. In the "EQ Edit" function this key calls up the "Low" band (100 Hz center frequency) EQ filter for editing.

17 EARLY REFLECTION TIME KEY

This key serves three purposes. It serves as the number "2" key for the "Memory Select" and "Program Copy" functions. In the "Parameter Edit" function this key calls up the "Early Reflection Time" parameter for editing. In the "EQ Edit" function this key calls up the "Low-Mid" band (400 Hz center frequency) EQ filter for editing.

18 REVERB TIME HIGH FREQUENCY KEY

This key serves three purposes. It serves as the number "3" key for the "Memory Select" and "Program Copy" functions. In the "Parameter Edit" function this key calls up the "Reverb Time High Frequency (attack time of the reverb high-frequency roll-off) parameter for editing. In the "EQ Edit" function this key calls up the "High-Mid" band (1.6 kHz center frequency) EQ filter for editing.

19 SIZE KEY

This key serves three purposes. It serves as the number "4" key for the "Memory Select" and "Program Copy" functions. In the "Parameter Edit" function this key calls up the "Size" (simulated hall/room/plate size) parameter for editing. In the "EQ EDIT" function this key calls up the "High" band (6.4 kHz center frequency) EQ filter for editing.

20 FEEDBACK LEVEL KEY

This key serves three purposes. It serves as the number "5" key for the "Memory Select" and "Program Copy" functions. In the "Parameter Edit" function this key calls up the "Feedback Level" parameter for editing. In the "EQ Edit" function this key calls up the "EQ Output Level" parameter for editing.

21 PRE-DELAY KEY

This key serves three purposes. It serves as the number "6" key for the "Memory Select" and "Program Copy" functions. In the "Parameter Edit" function this key calls up the "Pre-Delay Time" parameter for editing. In the "MIDI Edit" function this key is used to enter the MIDI patch number selection.

22 EARLY REFLECTION LEVEL KEY

This key serves three purposes. It serves as the number "7" key for the "Memory Select" and "Program Copy" functions. In the "Parameter Edit" function this key calls up the "Early Reflection Level" parameter for editing. For MIDI functions this key is used to assign a particular memory location to a particular MIDI patch number (for program selection by MIDI).

23 PHASE KEY

This key serves three purposes. It serves as the number "8" key for the "Memory Select" and "Program Copy" functions. In the "Parameter Edit" function this key inverts the phase of the "Early Reflection" and "Feedback" sound components. In the "MIDI Edit" function this key is used to assign the SDR1000 to a particular MIDI channel.

24 GATE TIME KEY

This key serves two purposes. It serves as the number "9" for the "Memory Select" and "Program Copy" functions. In the "Parameter Edit" function this key calls up the "Gate Time" parameter for editing.

25 TAP KEY

This key serves two purposes. It serves as the number "0" for the "Memory Select" and "Program Copy" functions. In the "Parameter Edit" function this key is used to select the number of taps (repeats) in the "Dual Delay" Mode only.

26 DEPTH KEY

In the "Parameter Edit" function this key calls up the "Auto-Pan Depth" parameter for editing in the "Auto-Pan" Mode only.

27 SPEED KEY

In the "Parameter Edit" function this key calls up the "Auto-Pan Speed" parameter for editing in the "Auto-Pan" Mode only.

28 CHANNEL EDIT KEY

This key serves two purposes. In the "Memory Select" function it is used to select "stereo" operation. In the "Parameter Edit" and "EQ Edit" functions this key is used to alternate editing between Channel 1 and Channel 2 (when each channel is to have different parameter settings). When both channels are to be set to identical parameter settings, this key is not used.

29 CHANNEL SYNC KEY

This key serves two purposes. In the "Memory Select" function it is used to select "mono" operation. In the "Parameter Edit" and "EQ Edit" functions this key is used to determine whether each channel will have different parameter settings or identical parameter settings.

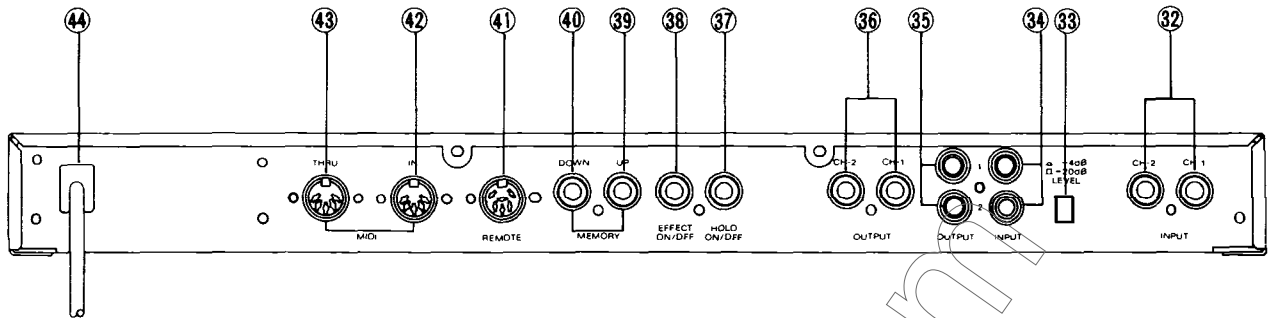
30 INCREMENT/DECREMENT KEYS

These keys serve two basic purposes. For "Memory Select" and "Program Copy" functions these keys are used to select the memory location number. In the "Parameter Edit", "EQ Edit" and "MIDI Edit" functions these keys are used to increase and decrease data settings. Pressing these keys once will cause the data to go up or down by one increment. Pressing and holding these keys will cause the data to increase or decrease more rapidly.

31 POWER SWITCH

This switch powers the unit up and down. When the unit is powered up the fluorescent display will light up indicating that power has been applied to the unit.

b) Rear Panel



32) PHONE INPUT JACKS

These jacks accept input via standard 1/4" mono phone plugs, such as those found on standard "guitar cords". These inputs accept unbalanced line-level or instrument-level signals. The rightmost jack accepts input for Channel 1, while the next jack to the left accepts input for Channel 2. When the SDR1000 is set for "mono" (single-channel) operation, the Channel 1 input should be used. Also, when these jacks are used, the inputs to 34) PIN INPUT JACKS are disconnected.

33) INPUT/OUTPUT LEVEL SWITCH

This switch selects between line-level input (averaging +4 dBv) operation and instrument-level input (averaging -20 dBv) operation. This switch should be set for the correct input level range before 3) INPUT LEVEL is adjusted.

34) PIN INPUT JACKS

These jacks accept input via standard RCA-type pin plugs, such as those found on "stereo system" cables. These inputs basically duplicate the function of 32) PHONE INPUT JACKS. The upper jack accepts input for Channel 1, while the lower jack accepts input for Channel 2. When the SDR1000 is set for "mono" operation, Channel 1 input should be used. When 32) PHONE INPUT JACKS are used, these inputs are disconnected.

35) PIN OUTPUT JACKS

These jacks accept standard RCA-type pin plugs, such as those found on "stereo system" cables. These outputs provide a mix of the "dry" and "effect" signals. When the SDR1000 is set for "stereo" operation, the upper jack provides the output from Channel 1 and the lower jack provides the output from Channel 2. When the SDR1000 is set for "mono" operation, Channel 1's output is used.

36) PHONE OUTPUT JACKS

These jacks accept standard 1/4" phone plugs, such as those found on standard "guitar cords". These outputs basically duplicate the function of 35) PIN OUTPUT JACKS. When the SDR1000 is set for "stereo" operation, the right jack provides the output from Channel 1 and the left jack provides the output from Channel 2. When the SDR1000 is set for "mono" operation, Channel 1's output is used.

37) HOLD JACK

This jack accepts input for remote control of the "Hold" feature, via standard 1/4" mono phone plugs. When this input is used with a footswitch or other controller, "Hold" is turned on or off. Use a momentary-type footswitch, such as the Ibanez FS1M. For information regarding the "Hold" feature, refer to section 1-4. g. of this manual.

38) EFFECT JACK

This jack accepts input for remote control of EFFECT ON/OFF, via standard 1/4" mono phone plugs. Operation of this jack duplicates the function of 1) ON/OFF SWITCH. When this input is used with a footswitch or other controller, the unit is taken in or out of EFFECT. Use a momentary-type footswitch, such as the Ibanez FS1M.

39) MEMORY UP JACK

This jack accepts input for remote incrementing (increasing by steps) of the memory location, via standard 1/4" mono phone plugs. When this input is used with a footswitch or other controller, the memory location is increased by one. When the footswitch is held down, the memory location increases more rapidly. Use a momentary-type footswitch, such as the Ibanez FS1M. For more information on this feature, refer to section 1-4. g. of this manual.

40) MEMORY DOWN JACK

This jack accepts input for remote decrementing (decreasing by steps) of the memory location, via standard 1/4" mono phone plugs. When this input is used with a footswitch or other controller, the memory location is decreased by one. When the footswitch is held down, the memory location decreases more rapidly. Use a momentary-type footswitch, such as the Ibanez FS1M.

41) REMOTE CONTROLLER JACK

This jack accepts input from the Ibanez IFC60 Intelligent Foot Controller, for remote selection of memory locations. This jack accepts standard 6-pin DIN plugs, as found on the cable supplied with the IFC60. For information about using the IFC60 with the SDR1000 refer to section 1-4. f. of this manual.

42) MIDI IN JACK

This jack accepts input from any MIDI controller, for MIDI-controlled selection of memory locations. This jack accepts standard 5-pin DIN plugs, as found on standard "MIDI" cables. For information about using MIDI for selection of program locations refer to section 1-4. e. of this manual.

43) MIDI THRU JACK

This jack transmits the MIDI information received at 42) MIDI IN JACK for MIDI control of other devices. This jack accepts standard 5-pin DIN plugs, as found on standard "MIDI" cables.

44) AC POWER CORD

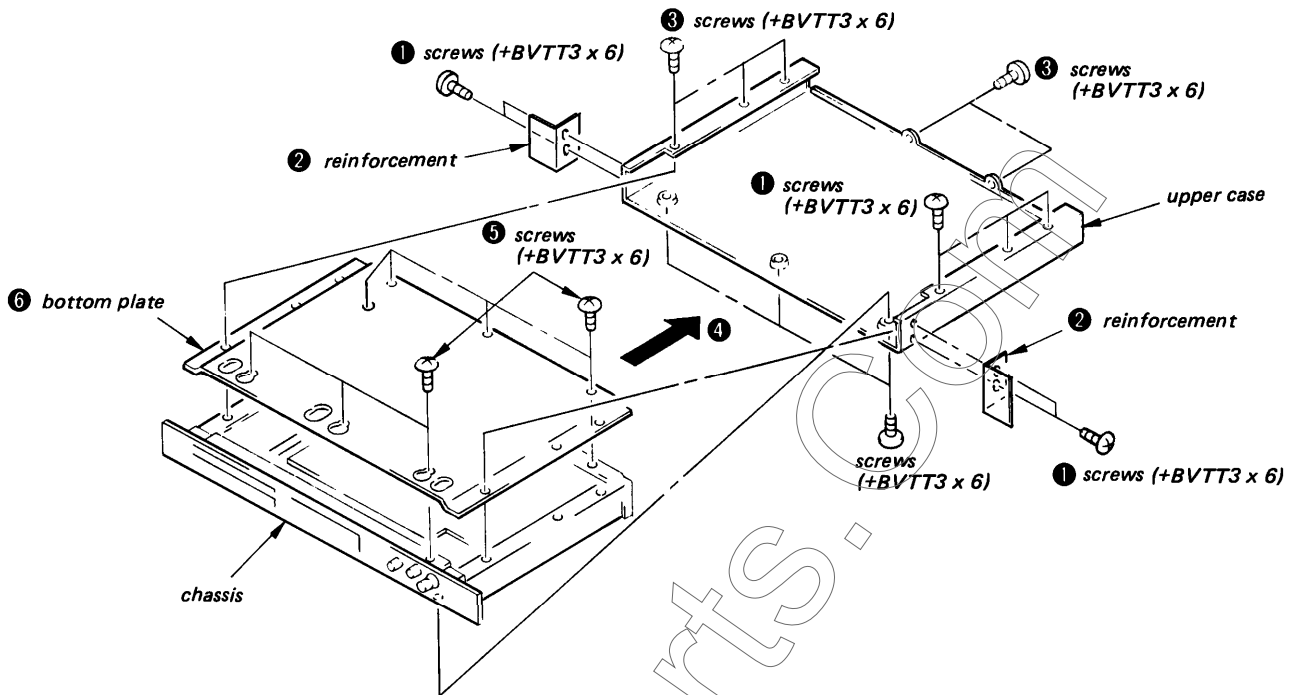
This cord connects the unit to a 120V (220-240V) AC outlet.

DISASSEMBLY

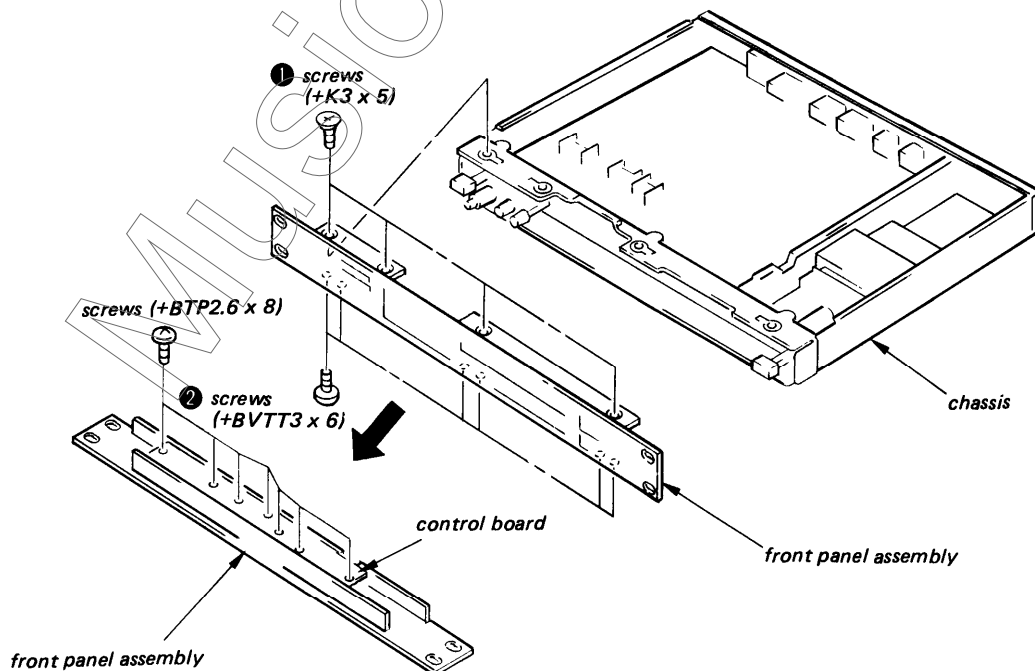
Note: Follow the disassembly procedure in the numerical order given.

UPPER CASE, BOTTOM PLATE

Place the set upside down.



FRONT PANEL ASSEMBLY, CONTROL BOARD



ADJUSTMENTS

DC Offset Adjustment

Perform this adjustment 30 minutes later since the power switch was on.

Setting:

1. Recall the MEMORY 23 (factory preset memory) and change its data using EDIT switch as follows:

E. REF. LEV (CH1, CH2) .992
TAP (CH1, CH2) 1
EFF. LEV (CH1, CH2) 1.000

PRE DELAY (CH1, CH2) 100

2. Write the data into the MEMORY 99 (or whichever 30 to 99; user programmable memories).
3. Change the data of the MEMORY 99 as follows:
EFF. LEV (CH1, CH2) .000
It is the reference DC 0 level **A**
4. Push the EDIT switch (EDIT LED blinks).
DC offset will occur **B**

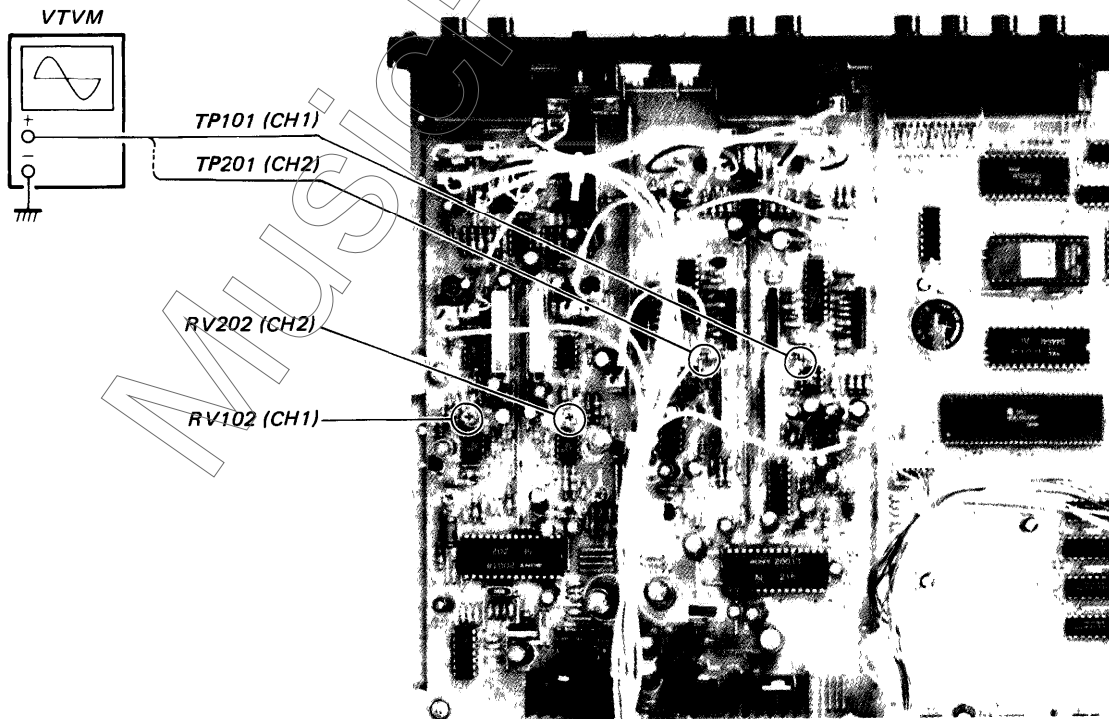
Procedure:

1. INPUT volume: MIN.
2. Connect the VTVM to TP101 (TP201).
3. Adjust RV102 (RV202) so that the value of **A** against **B** satisfies the specification.

Specification: +10 mV
-0 mV

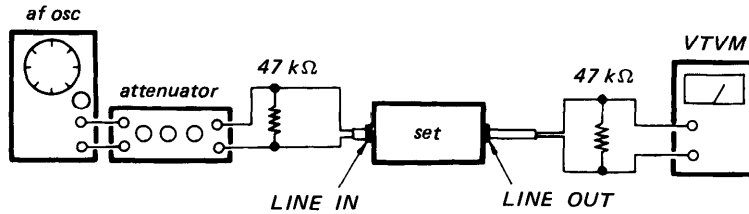
SERIAL NUMBER 60703001 AND LATER $\pm 5\text{mV}$

Adjustment Location: audio board



Distortion Adjustment

Setting:



1. INPUT volume: MAX.
EFFECT volume: MAX.
DRY volume: MIN.
LEVEL switch: +4 dB
2. Recall the MEMORY 23 and change its data using EDIT switch as follows.

TAP (CH1, CH2)	1
EFF. LEV (CH1, CH2)	1.000

Procedure:

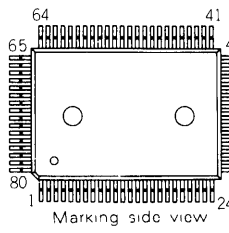
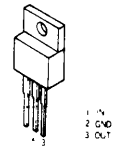

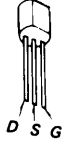
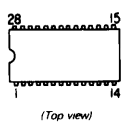
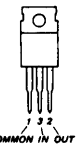

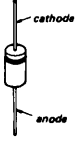
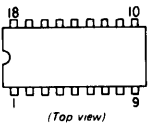
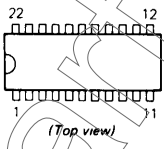
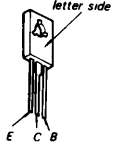
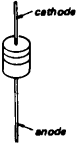
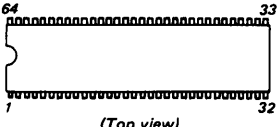
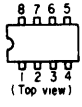
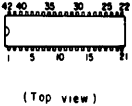

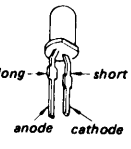
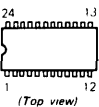
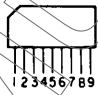


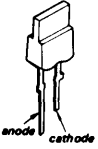
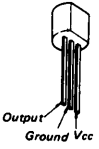
1. Input an 1 kHz signal and adjust the input level so that the output level is +17 dB.
2. Turn RV103 (RV203) fully clockwise.
3. Adjust it turning counterclockwise so that the distortion level is -80 dB.
4. Turn it counterclockwise 30 degrees more its position.

Adjustment Location: audio board

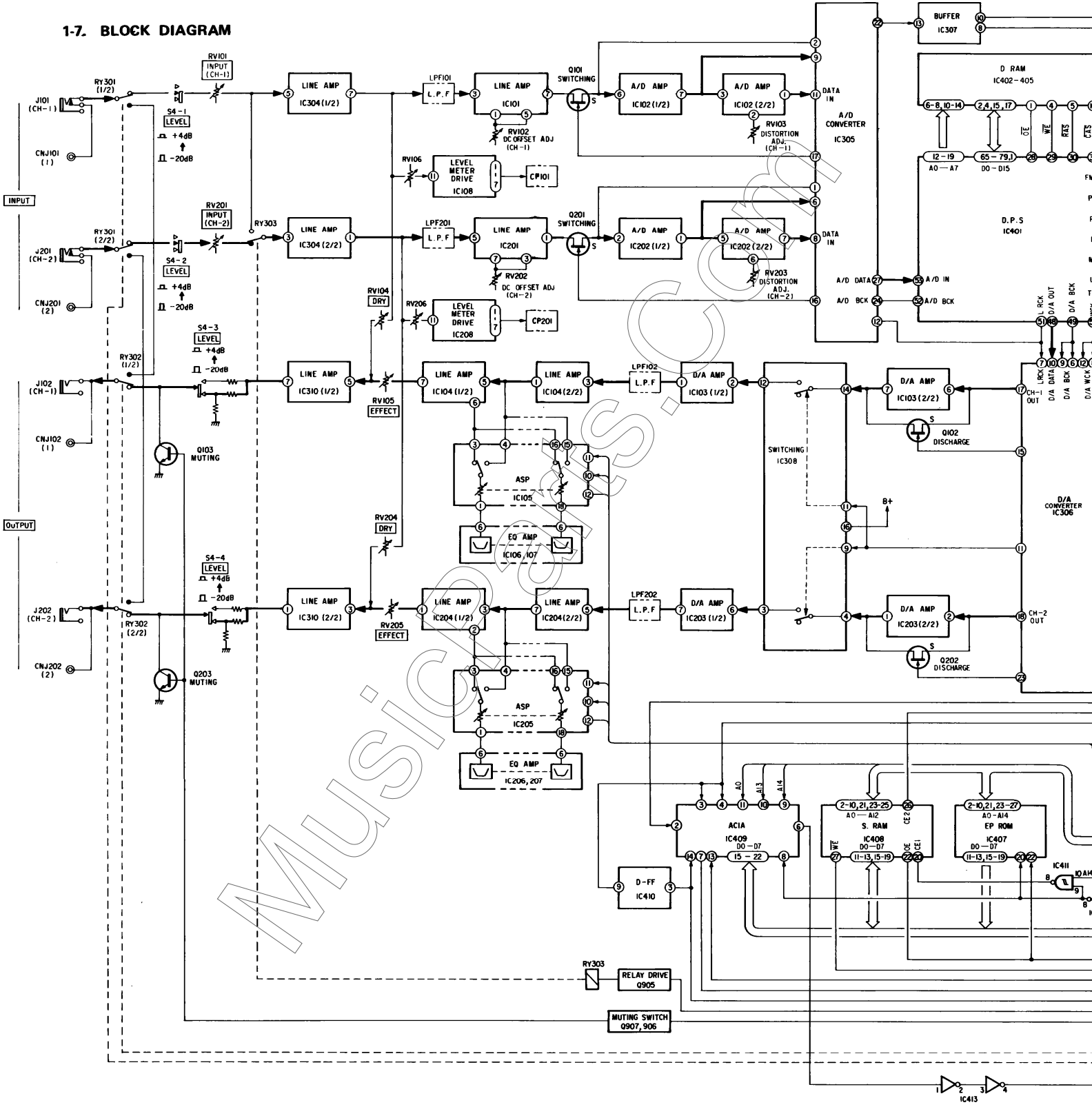
RV103 (CH1)

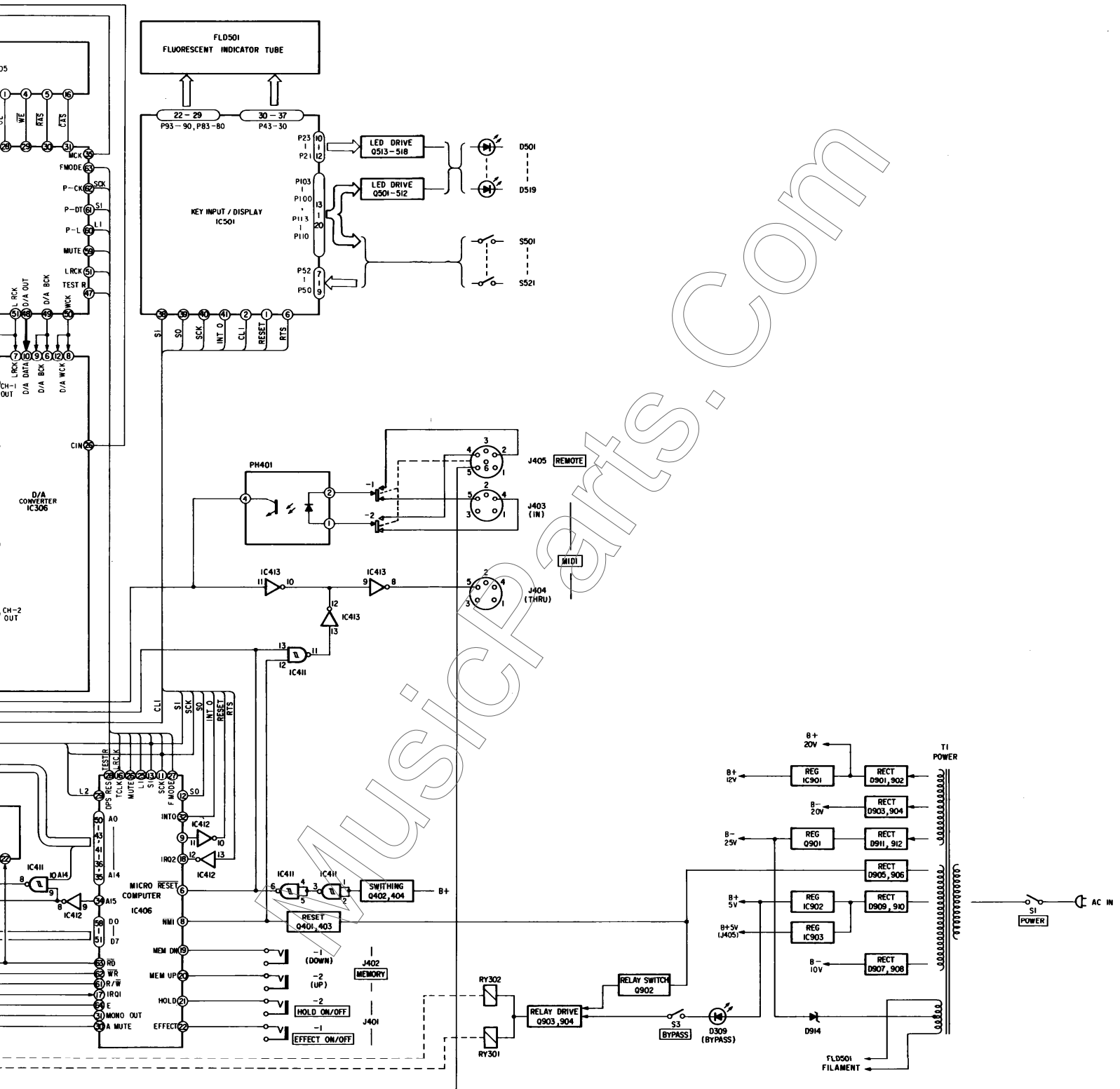
RV203 (CH2)

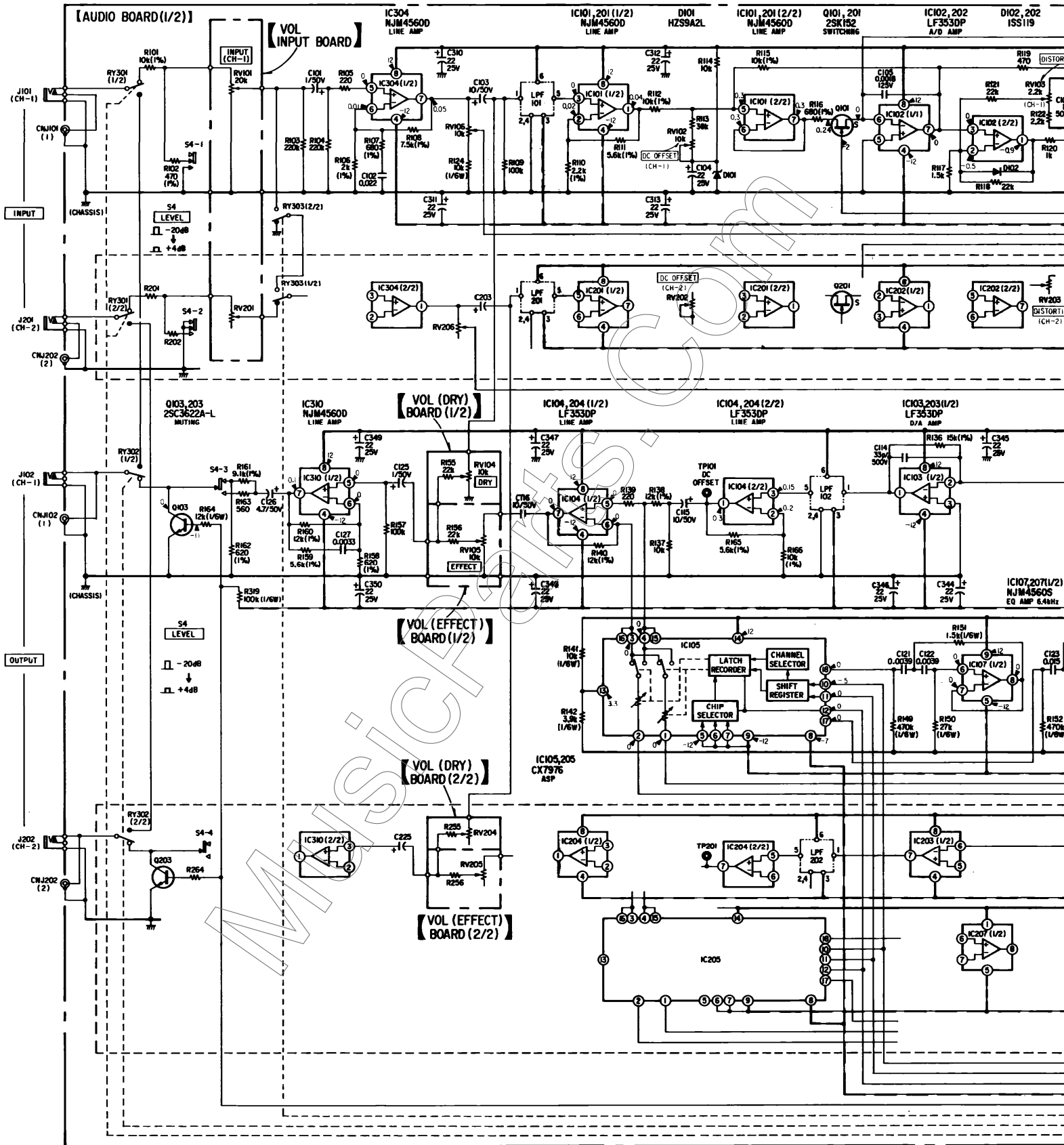
● Semiconductor Lead Layouts

<p>CXD1079Q</p>  <p>Marking side view</p>	<p>HD74HC04P HD74HC74P HD74HC132P MC74HC04N MC74HC74N MC74HC132N MC74HCU04N SN74HC04N SN74HC05N SN74HC74N TC74HC04P TC74HC74P TC74HC132P TC74HCU04P μPD74HC74C μPD74HC132C</p>	<p>NJM78M05A NJM78M12A μPC78M12H</p>  <p>1 IN 2 GND 3 OUT</p>	<p>2SA844 2SA933S 2SB864 2SC3622A-L 2SD1152</p>  <p>E C B</p>	<p>2SK152</p>  <p>D S G</p>
<p>CX20017 CX20018</p>  <p>(Top view)</p>	<p>1413121110 9 8 1 2 3 4 5 6 7 (Top view)</p>	<p>NJM79M05A</p>  <p>COMMON IN OUT</p>	<p>2SA1175</p>  <p>letter side E C B</p>	<p>10DF2 10E2N HZS6B3L HZS6C1L HZS7B3L HZS9A1L HZS9A2L HZS243L</p>  <p>cathode anode</p>
<p>CX7976 MB81464-10</p>  <p>(Top view)</p>	<p>IR2E02 μPD4053BC</p> <p>16151413121110 9 1 2 3 4 5 6 7 8 (Top view)</p>	<p>μPD27C256C μPD4464C</p>  <p>(Top view)</p>	<p>2SB731 2SD809</p>  <p>letter side E C B</p>	<p>1SS119 1SS133 1SS148 1SS202 1SS202-1 HZS9.1NB2 HZS9.1NT2</p>  <p>cathode anode</p>
<p>HD63B03XP</p>  <p>(Top view)</p>	<p>LF353DP NJM4560D</p>  <p>(Top view)</p>	<p>μPD7528C-036</p>  <p>(Top view)</p>	<p>2SB1014</p>  <p>E C B</p>	<p>SEL2210S-C</p>  <p>long short anode cathode</p>
<p>HD63B50P</p>  <p>(Top view)</p>	<p>NJM4560S</p>  <p>1 2 3 4 5 6 7 8 9</p>	<p>2SA1048 2SA1115 2SC2603F DTA114ES DTC114ES DTC144ES</p>  <p>E C B</p>	<p>2SK30A-O</p>  <p>S G D</p>	<p>TLR208</p>  <p>anode cathode</p>
<p>NJM78L05A</p>  <p>Output Ground Vcc</p>				

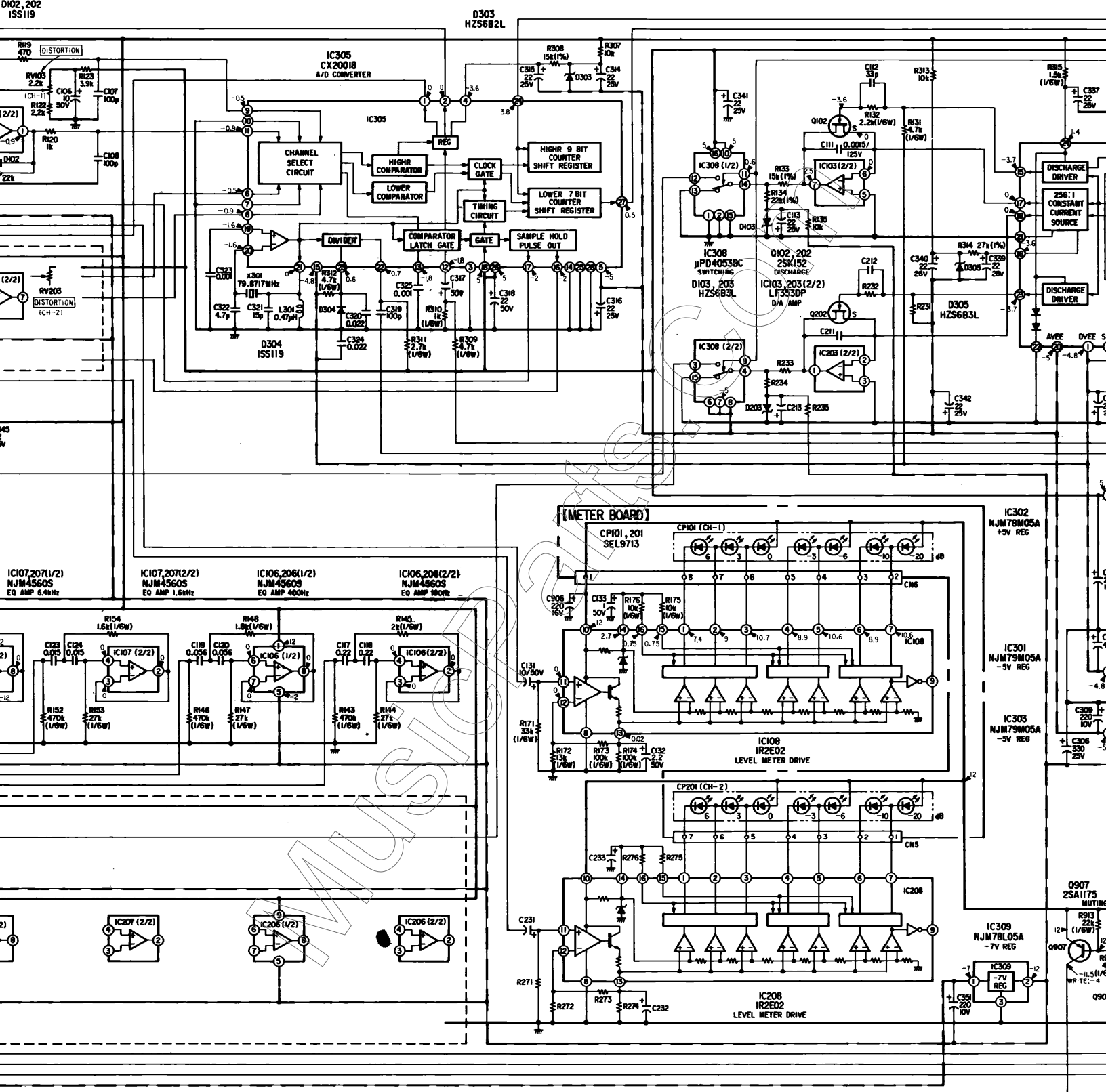
1-7. BLOCK DIAGRAM

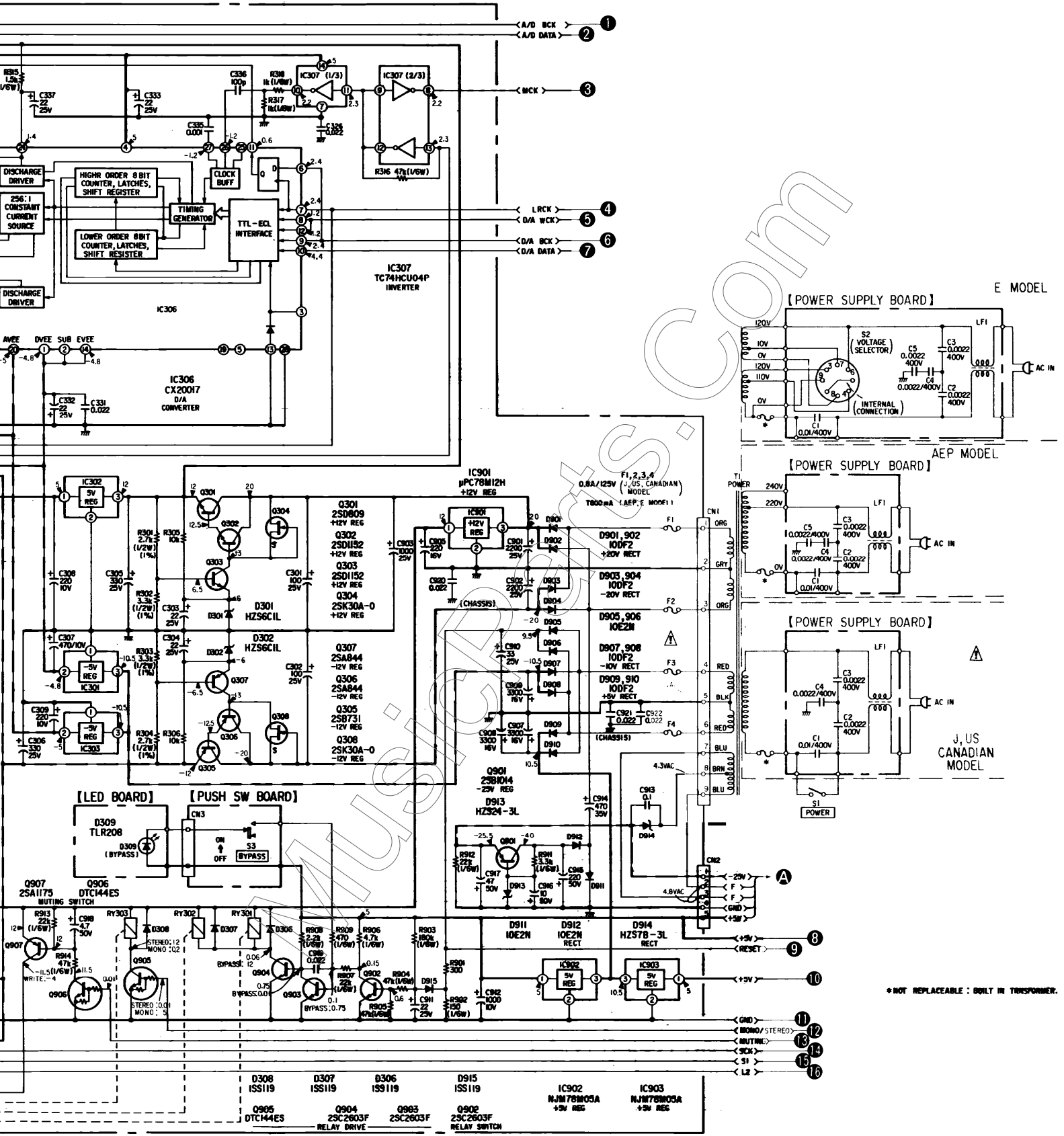






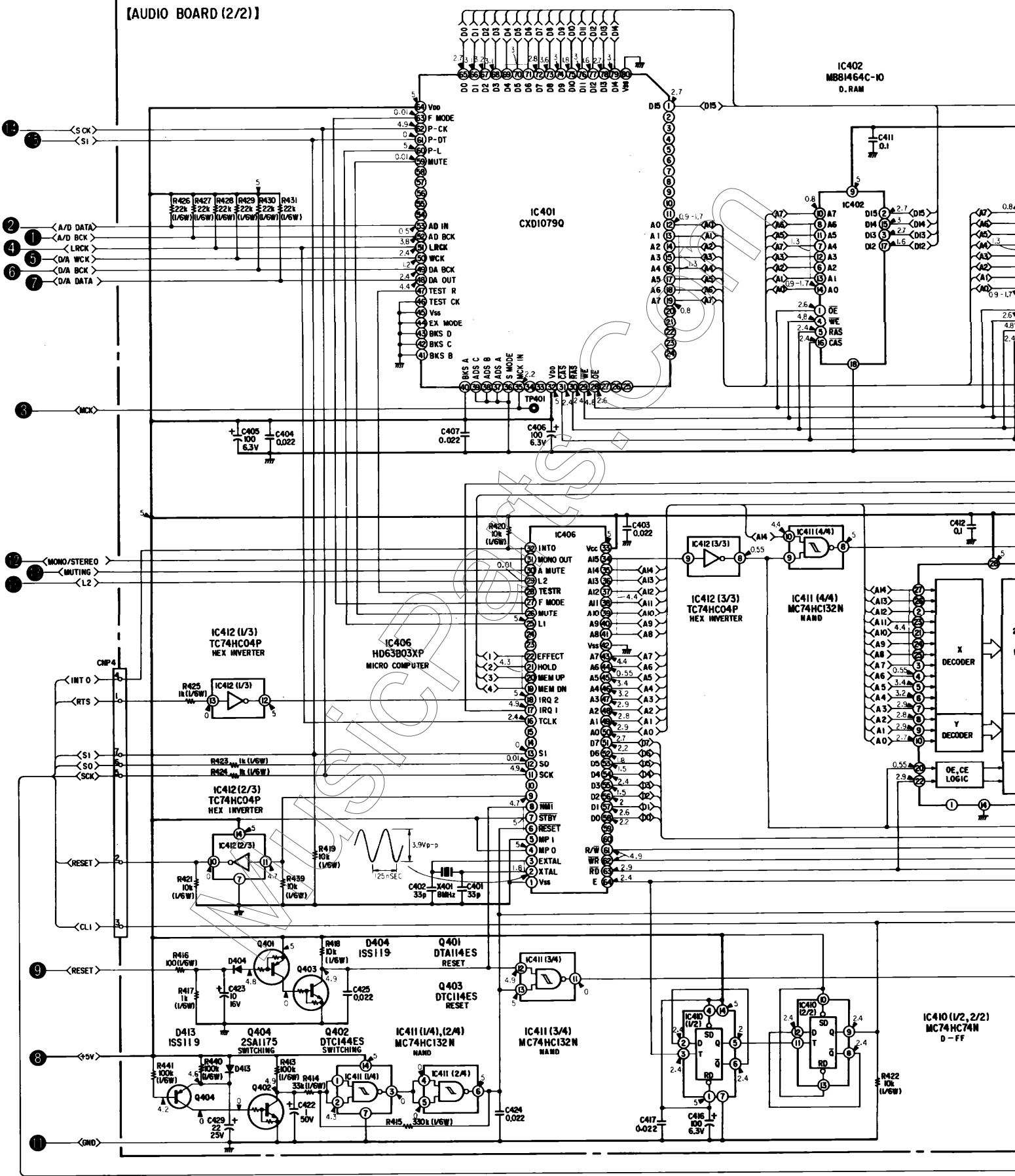
D102, 202
ISS119

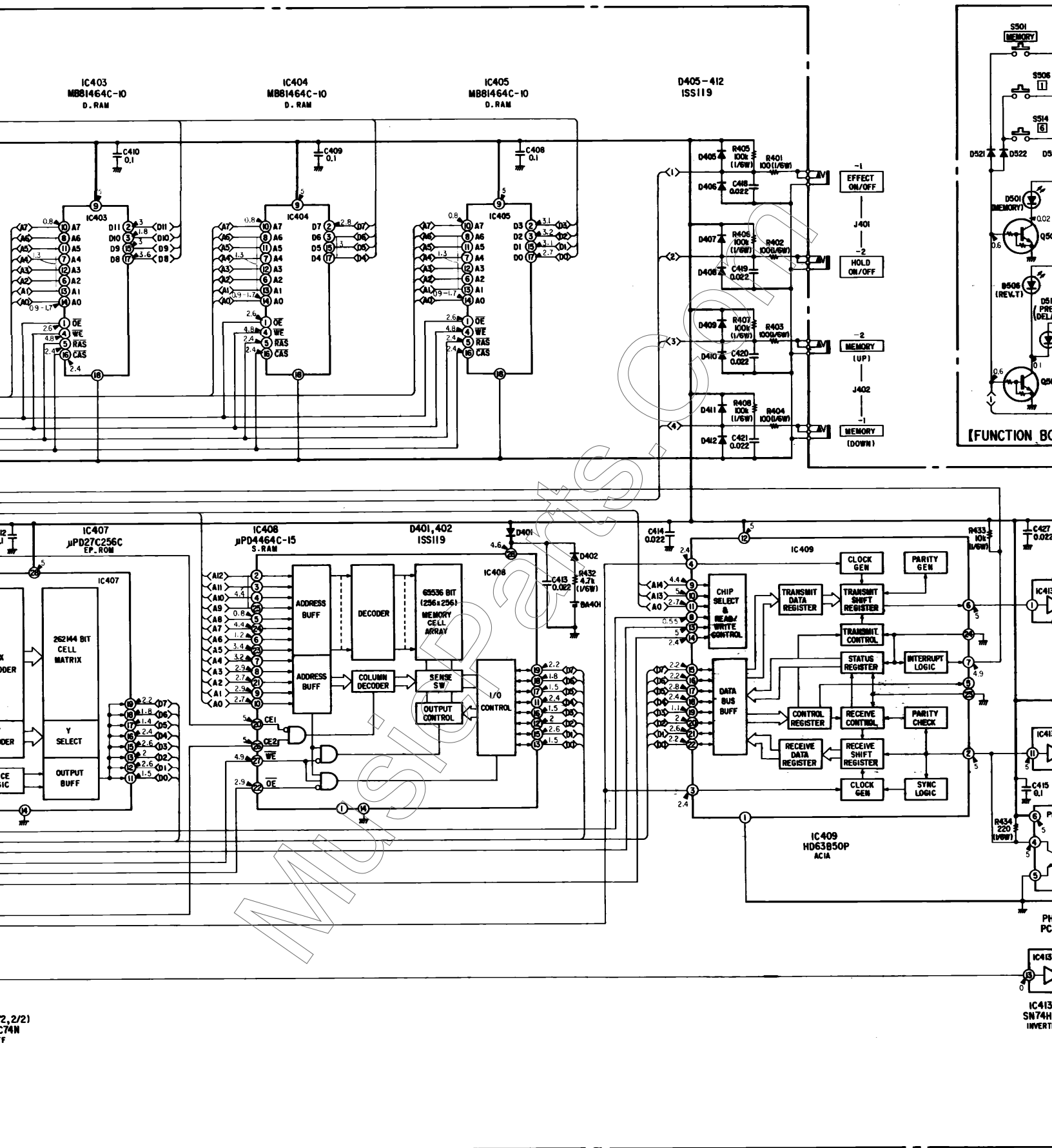


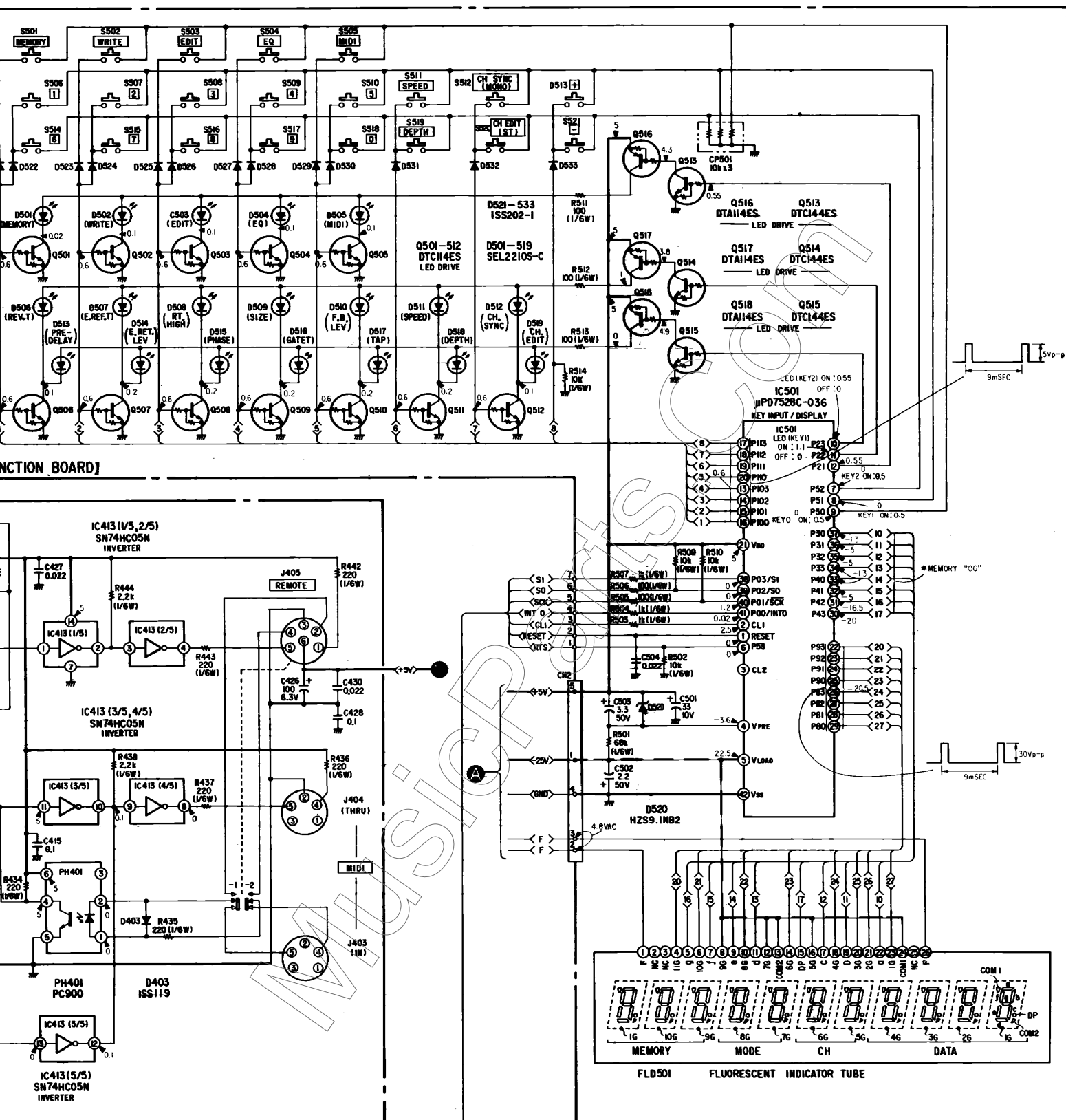


* NOT REPLACEABLE : BUILT IN TRANSFORMER.

[AUDIO BOARD (2/2)]







DIAGRAMS

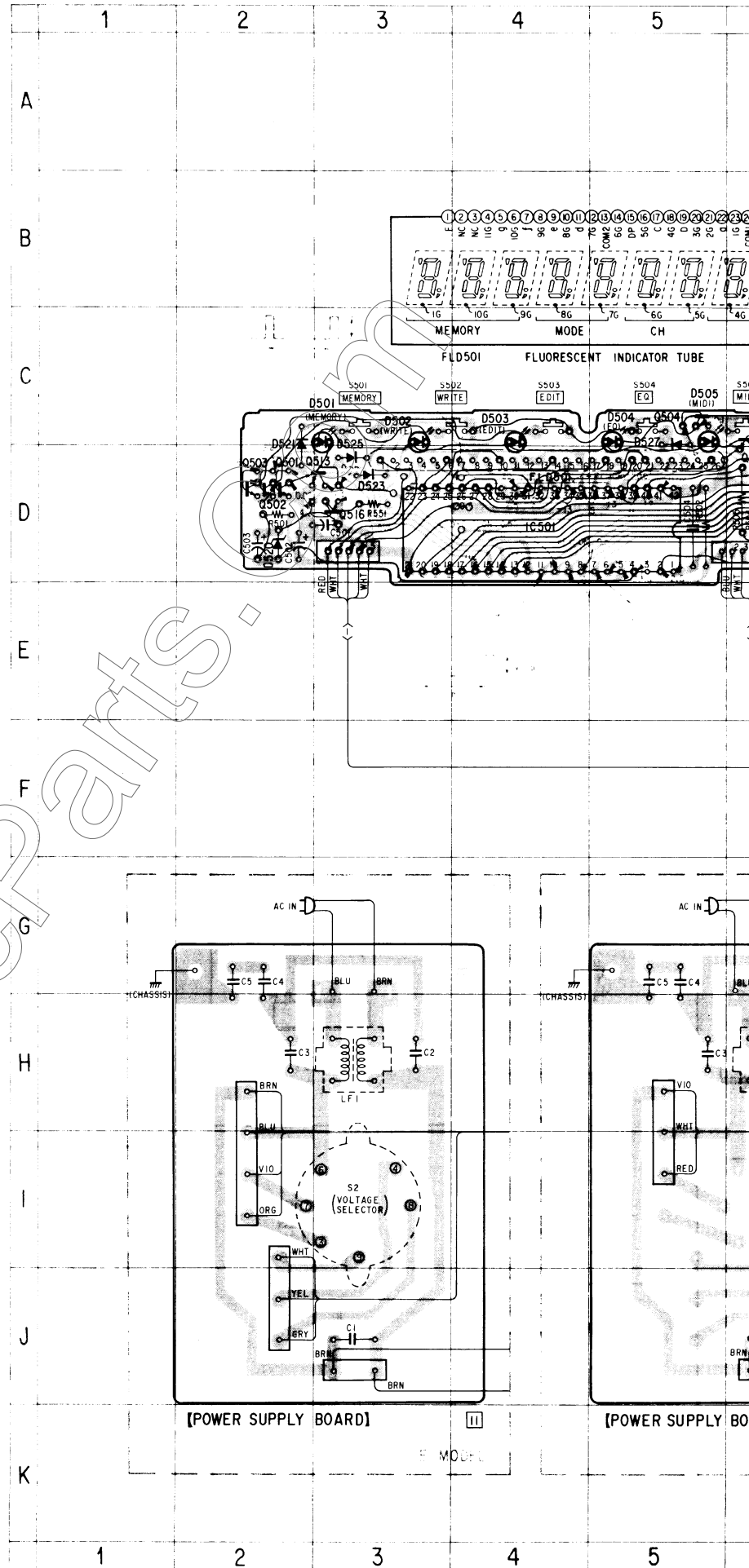
MOUNTING DIAGRAM — Conductor Side —

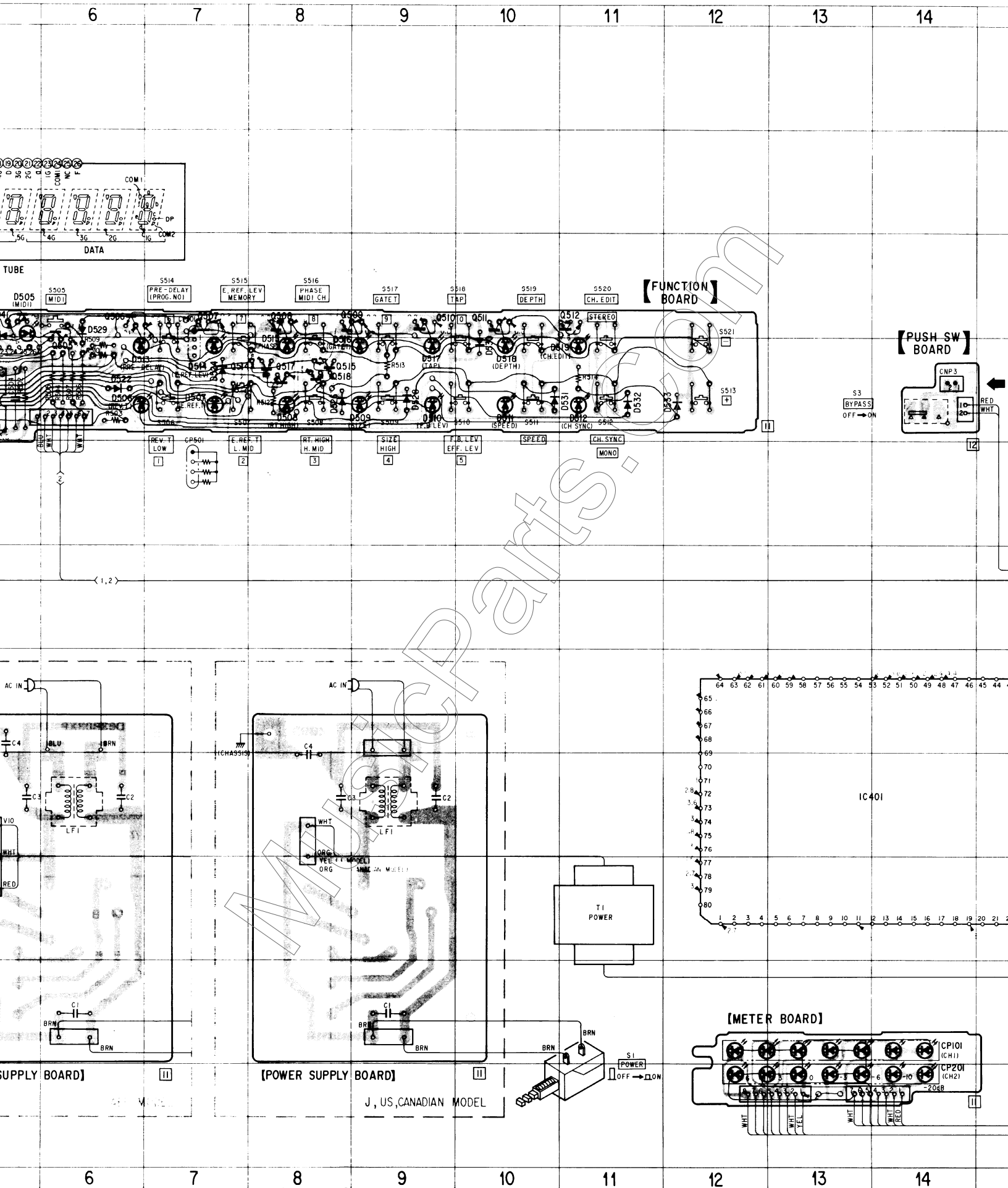
Note:

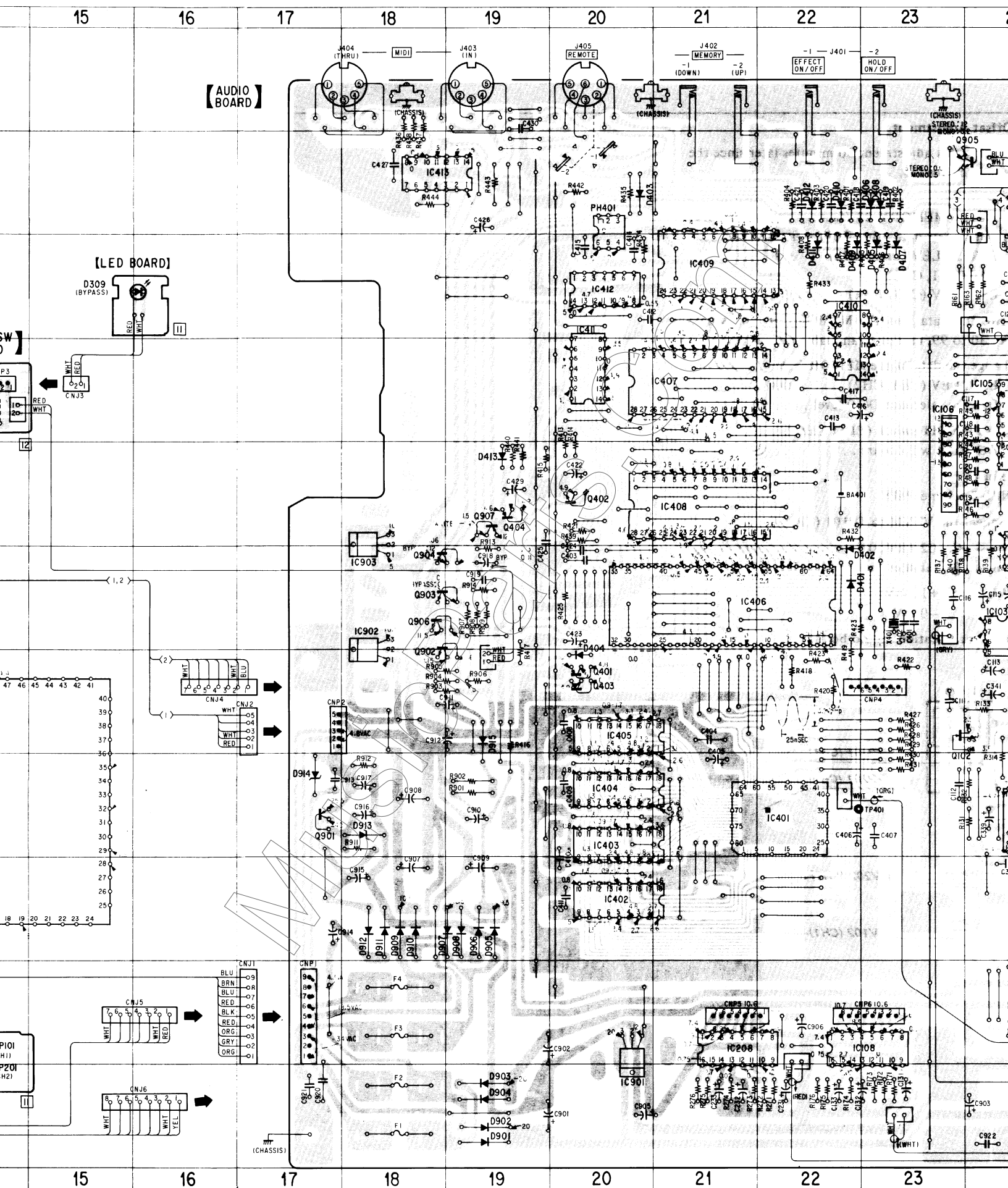
- ○ : parts extracted from the component side.
- ● : parts extracted from the conductor side.
- ■ : part mounted on the conductor side.
- ○ : Through hole.

● SEMICONDUCTOR LOCATION

Ref. No.	Location	Ref. No.	Location	Ref. No.	Location
D101	F-29	D533	D-12	PH401	B-20
D102	G-28	D901	K-19		
D103	G-24	D902	K-19	Q101	G-29
D201	F-27	D903	K-19	Q102	G-24
D202	G-28	D904	K-19	Q103	C-24
D203	G-25	D905	I-19	Q201	G-27
D301	I-27	D906	I-19	Q202	G-26
D302	I-26	D907	I-19	Q203	C-26
D303	G-27	D908	I-19	Q301	J-27
D304	H-27	D909	I-18	Q302	I-27
D305	H-24	D910	I-18	Q303	I-27
D306	C-28	D911	I-18	Q304	I-27
D307	B-25	D912	I-18	Q305	J-26
D308	B-28	D913	H-18	Q306	I-26
D309	C-16	D914	H-17	Q307	I-26
D401	F-22	D915	G-19	Q308	I-26
D402	F-22			Q401	G-20
D403	B-20	IC101	E-29	Q402	E-20
D404	G-20	IC102	F-29	Q403	G-20
D405	C-23	IC103	F-24	Q404	E-19
D406	B-23	IC104	F-24	Q501	D-2
D407	C-23	IC105	D-24	Q502	D-2
D408	B-23	IC106	E-23	Q503	D-2
D409	C-22	IC107	E-25	Q504	C-5
D410	B-22	IC108	J-23	Q505	D-6
D411	C-22	IC201	E-27	Q506	C-6
D412	B-22	IC202	F-27	Q507	C-7
D413	E-19	IC203	F-26	Q508	C-8
D501	C-3	IC204	F-26	Q509	C-9
D502	C-3	IC205	D-26	Q510	C-9
D503	C-4	IC206	E-25	Q511	C-10
D504	C-5	IC207	E-26	Q512	C-11
D505	C-5	IC208	J-21	Q513	D-3
D506	D-6	IC301	J-24	Q514	D-8
D507	D-7	IC302	I-28	Q515	D-8
D508	D-8	IC303	I-26	Q516	D-3
D509	D-9	IC304	D-28	Q517	D-8
D510	D-9	IC305	H-28	Q518	D-8
D511	D-10	IC306	H-25	Q901	H-17
D512	D-11	IC307	I-29	Q902	G-18
D513	D-6	IC308	G-25	Q903	F-19
D514	D-7	IC309	D-25	Q904	F-19
D515	D-8	IC310	C-25	Q905	B-23
D516	D-9	IC401	H-22	Q906	F-18
D517	D-9	IC402	I-20	Q907	E-19
D518	D-10	IC403	H-20		
D519	D-11	IC404	H-20		
D520	D-2	IC405	G-20		
D521	C-2	IC406	F-21		
D522	D-6	IC407	D-21		
D523	D-3	IC408	E-21		
D524	D-7	IC409	C-21		
D525	D-3	IC410	D-22		
D526	D-8	IC411	D-20		
D527	C-5	IC412	C-20		
D528	D-9	IC413	B-18		
D529	C-6	IC501	D-4		
D530	D-10	IC901	J-20		
D531	D-10	IC902	F-18		
D532	D-11	IC903	E-18		







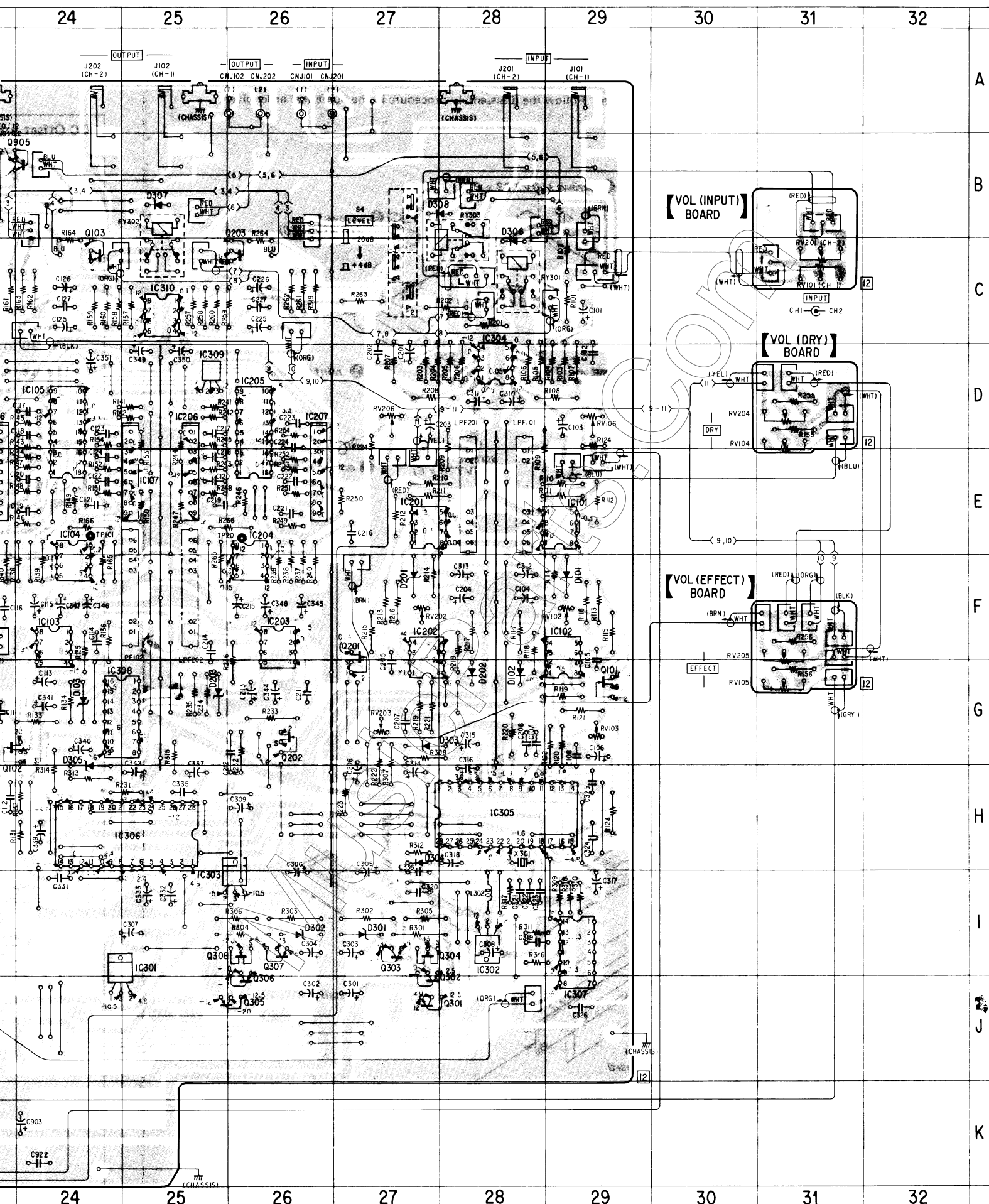


Fig. 21 of 29

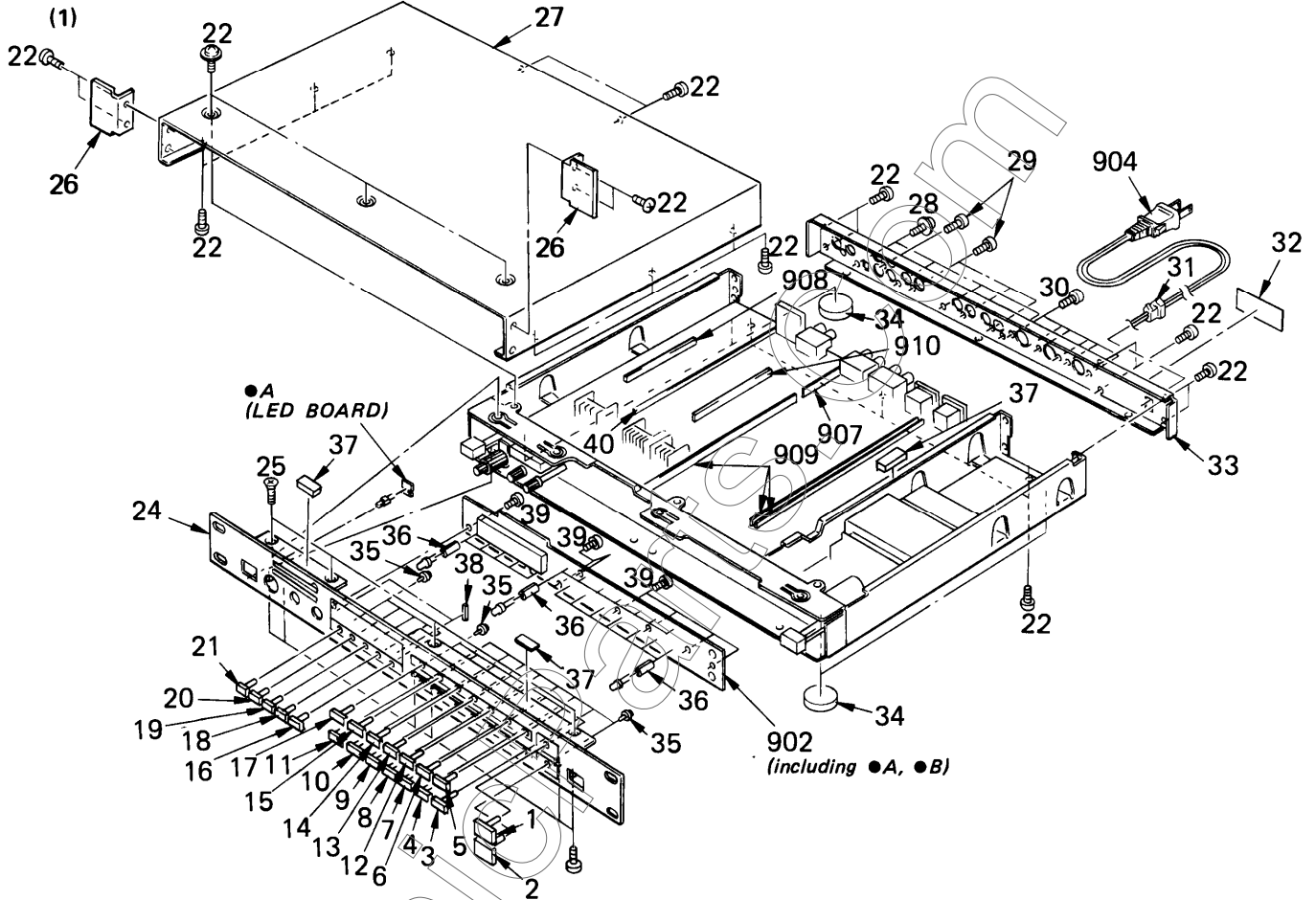
EXPLODED VIEWS AND PARTS LIST

NOTE:

- The mechanical parts with no reference number in the exploded views are not supplied
- Items marked " * " are not stocked since they are seldom required for routine service. Some delay should be anticipated when ordering these items.
- The construction parts of an assembled part are indicated with a collation number on the remark column.

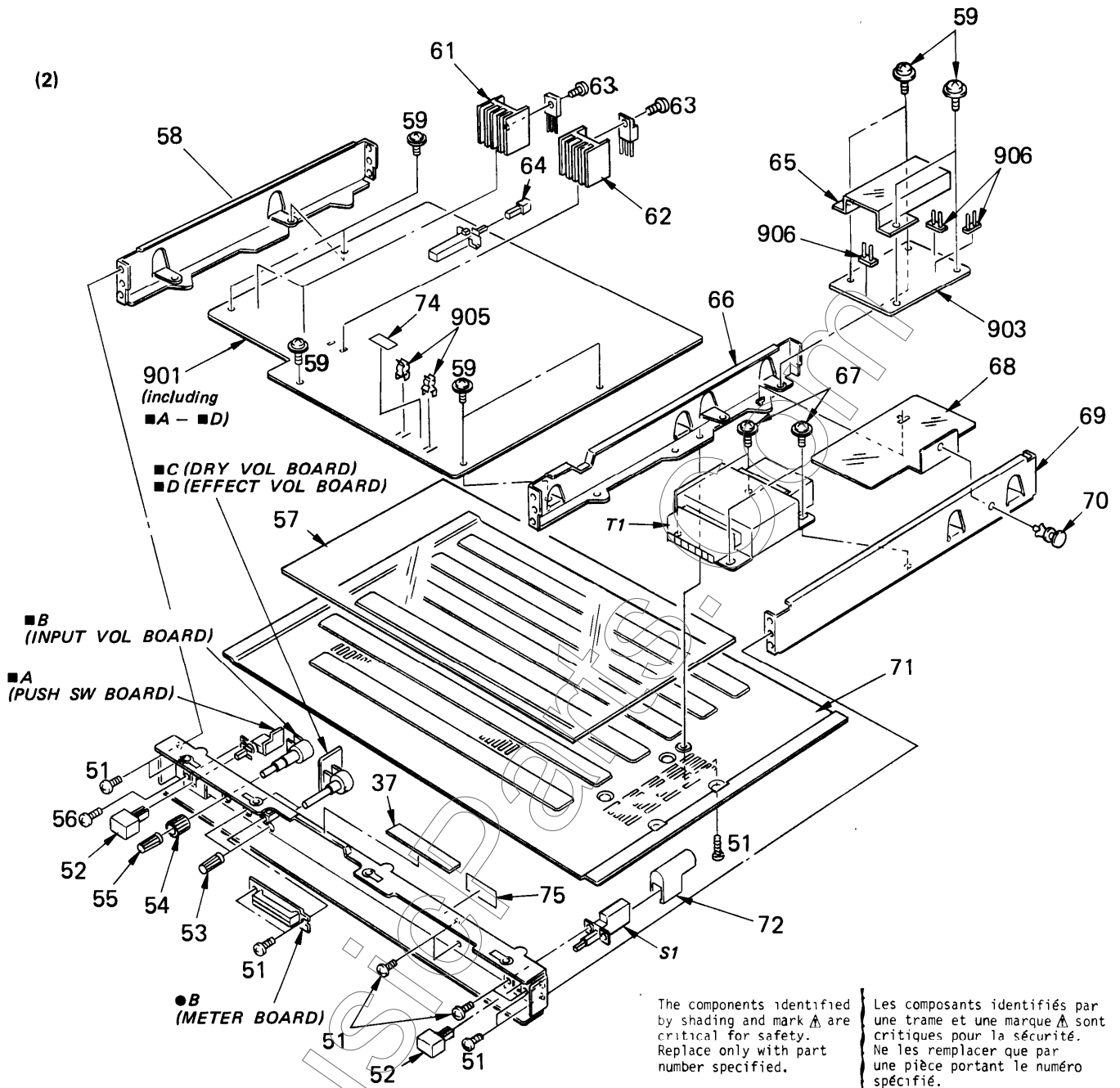
The components identified by shading and mark **▲** are critical for safety. Replace only with part number specified.

Les composants identifiés par une trame et une marque **▲** sont critiques pour la sécurité. Ne les remplacer que par une pièce portant le numéro spécifié.



No.	Part No.	Description	Remarks	No.	Part No.	Description	Remarks
1	4-916-306-01	BUTTON (B), CONTROL (+)		28	3-701-467-00	SCREW, LOCK	
2	4-916-306-11	BUTTON (B), CONTROL (-)		29	7-685-146-19	SCREW +BTP 3X8 TYPE2 N-S	
3	X-4916-319-1	BUTTON (A) ASSY, CONTROL (CH.SYNC)		30	7-682-548-09	SCREW +B 3X8	
4	X-4916-318-1	BUTTON (A) ASSY, CONTROL (SPEED)		31	3-703-244-11	(AE,E3).....BUSHING (2104), CORD	
5	X-4916-317-1	BUTTON (A) ASSY, CONTROL (CH.EDIT)			3-703-571-11	(J,US,CA)...BUSHING (S)(4516), CORD	
6	X-4916-316-1	BUTTON (A) ASSY, CONTROL (DEPTH)		32	*4-916-317-01	(US,CA)...LABEL, MODEL NUMBER	
7	X-4916-315-1	BUTTON (A) ASSY, CONTROL (TAP)			*4-916-321-01	(J).....LABEL, MODEL NUMBER	
8	X-4916-314-1	BUTTON (A) ASSY, CONTROL (GATE T)			*4-916-322-01	(E3).....LABEL, MODEL NUMBER	
9	X-4916-313-1	BUTTON (A) ASSY, CONTROL (PHASE)			*4-916-323-01	(AE).....LABEL, MODEL NUMBER	
10	X-4916-312-1	BUTTON (A) ASSY, CONTROL (E.REF.LEV)		33	4-916-316-02	PLATE, JACK	
11	X-4916-311-1	BUTTON (A) ASSY, CONTROL (PRE DELAY)		34	*4-907-980-01	FOOT	
12	X-4916-310-1	BUTTON (A) ASSY, CONTROL (F.B.LEV)		35	4-905-417-01	STOPPER, KNOB	
13	X-4916-309-1	BUTTON (A) ASSY, CONTROL (SIZE)		36	4-911-676-01	SPACER, LED	
14	X-4916-308-1	BUTTON (A) ASSY, CONTROL (RT.HIGH)		37	*3-846-067-11	SPACER	
15	X-4916-307-1	BUTTON (A) ASSY, CONTROL (E.REF.T)		38	*3-671-888-00	CUSHION (B), BUTTON	
16	X-4916-306-1	BUTTON (A) ASSY, CONTROL (REV.T)		39	7-685-134-19	SCREW +BTP 2.6X8 TYPE2 N-S	
17	X-4916-305-1	BUTTON (A) ASSY, CONTROL (MIDI)		40	*3-311-617-01	REINFORCEMENT, PCB	
18	X-4916-304-1	BUTTON (A) ASSY, CONTROL (EQ)		902	*A-4410-293-A	MOUNTED PCB, CONTROL	
19	X-4916-303-1	BUTTON (A) ASSY, CONTROL (EDIT)		904	▲ 1-534-817-XX	(AE,E3)....CORD, POWER	
20	X-4916-302-1	BUTTON (A) ASSY, CONTROL (WRITE)			▲ 1-551-825-31	(J).....CORD, POWER	
21	X-4916-301-1	BUTTON (A) ASSY, CONTROL (MEMORY)			▲ 1-558-091-11	(US,CA)....CORD, POWER	
22	7-685-751-09	SCREW +BVTT 3X6 (S)		907	*1-560-242-11	BUS BAR 3P	
24	X-4910-320-1	PANEL ASSY, FRONT		908	*1-560-242-31	BUS BAR 5P	
25	7-682-246-09	SCREW +K 3X5		909	*1-560-242-41	BUS BAR 11P	
26	*4-916-305-01	REINFORCEMENT		910	*1-560-242-71	BUS BAR 6P	
27	4-916-319-01	CASE					

(2)



No.	Part No.	Description	Remarks	No.	Part No.	Description	Remarks
51	7-685-751-09	SCREW +BVTT 3X6 (S)		68	*4-916-303-01	SHEET, INSULATING	
52	4-879-487-51	PUSH BUTTON		69	*4-916-312-01	CHASSIS (RIGHT), SIDE	
53	4-906-511-61	KNOB (SMALL), ROTARY		70	*3-531-576-51	RIVET	
54	4-904-320-11	KNOB, SELECTOR		71	*4-916-320-01	PLATE, BOTTOM	
55	4-906-511-51	KNOB (SMALL), ROTARY		72	*3-575-524-00	COVER, POWER SWITCH	
56	7-621-775-20	SCREW +B 2.6X5		73	*4-916-315-02	CHASSIS, FRONT	
57	*4-916-327-01	SHEET, INSULATING		74	*3-701-948-13	(AE,E3)...LABEL, FUSE	
58	*4-916-311-01	CHASSIS (LEFT), SIDE		75	*3-703-044-26	(US,CA)...LABEL, FUSE CAUTION	
59	3-703-249-01	SCREW, S TIGHT, +PTTWH 3X6		901	*A-4335-612-A	MOUNTED PCB, AUDIO	
60	*4-916-318-01	PLATE, GROUND		903	*1-619-424-12	PC BOARD, POWER	
61	*4-363-146-00	HEAT SINK, V. OUT		905	1-533-162-00	HOLDER, FUSE	
62	*4-363-146-11	HEAT SINK, V. OUT		906	*1-535-139-00	BASE POST 19MM (10MM PITCH) 2P	
63	2-259-121-00	SCREW, TR		S1	Δ 1-553-318-00	SWITCH, PUSH (AC POWER)(1 KEY)	
64	3-311-509-00	PUSH BUTTON		T1	Δ 1-448-591-11	(AE).....TRANSFORMER, POWER	
65	*4-916-304-01	CASE, INSULATING		T1	Δ 1-448-592-11	(E3).....TRANSFORMER, POWER	
66	*4-916-313-02	CHASSIS, CENTER		T1	Δ 1-448-593-11	(US,CA)...TRANSFORMER, POWER	
67	7-682-947-01	SCREW +PSW 3X6		T1	Δ 1-448-594-11	(J).....TRANSFORMER, POWER	

ELECTRICAL PARTS LIST

NOTE

Items marked " * " are not stocked since they are seldom required for routine service. Some delay should be anticipated when ordering these items.

If there are two or more same circuits in a set such as a stereophonic machine, only typical circuit parts may be indicated and capacitors and resistors in other same circuits may be omitted.

CAPACITORS:
MF:µF, PF:µµF.

RESISTORS
All resistors are in ohms.
F : nonflammable

COILS
MMH : mH, UH : µH

SEMICONDUCTORS
In each case, U : µ, for example:
UA...: µA..., UPA...: µPA..., UPC...: µPC,
UPD...: µPD...

The components identified by shading and mark **Δ** are critical for safety. Replace only with part number specified.

Les composants identifiés par une trame et une marque **Δ** sont critiques pour la sécurité. Ne les remplacer que par une pièce portant le numéro spécifié.

ELECTRICAL PARTS

Ref.No.	Part No.	Description				
901	*A-4335-612-A	MOUNTED PCB, AUDIO				
902	*A-4410-293-A	MOUNTED PCB, CONTROL				
903	*1-619-424-12	PC BOARD, POWER				
904	Δ .1-534-817-XX	(AE,E3)...CORD, POWER				
	Δ .1-551-825-31	(J).....CORD, POWER				
	Δ .1-558-091-11	(US,CA)...CORD, POWER				
905	1-533-162-00	HOLDER, FUSE				
906	*1-535-139-00	BASE POST 19MM (10MM PITCH) 2P				
907	*1-560-242-11	BUS BAR 3P				
908	*1-560-242-31	BUS BAR 5P				
909	*1-560-242-41	BUS BAR 11P				
910	*1-560-242-71	BUS BAR 6P				
911	*1-564-498-11	PIN, CONNECTOR 5P				
912	*1-564-500-11	PIN, CONNECTOR 7P				
BA401	1-528-120-00	BATTERY, LITHIUM (CR-2025)				
C1	Δ .1-161-744-00	CERAMIC	0.01MF	20%	400V	
C2	Δ .1-161-742-00	CERAMIC	0.0022MF	20%	400V	
C3	Δ .1-161-742-00	CERAMIC	0.0022MF	20%	400V	
C4	Δ .1-161-742-00	CERAMIC	0.0022MF	20%	400V	
C5	Δ .1-161-742-00	(AE,E3)...CERAMIC	0.0022MF	20%	400V	
C101	1-123-380-00	ELECT	1MF	20%	50V	
C102	1-136-157-00	FILM	0.022MF	5%	50V	
C103	1-123-356-00	ELECT	10MF	20%	50V	
C104	1-123-330-00	ELECT	22MF	20%	25V	
C105	1-104-255-11	POLYSTYRENE	0.0018MF	5%	125V	
C106	1-123-356-00	ELECT	10MF	20%	50V	
C107	1-162-282-31	CERAMIC	100PF	10%	50V	
C108	1-162-282-31	CERAMIC	100PF	10%	50V	
C111	1-104-228-00	POLYSTYRENE	0.0015MF	5%	125V	
C112	1-162-211-31	CERAMIC	33PF	5%	50V	
C113	1-123-330-00	ELECT	22MF	20%	25V	
C114	1-107-159-00	MICA	33PF	5%	500V	
C115	1-123-356-00	ELECT	10MF	20%	50V	
C116	1-124-186-00	ELECT	10MF	20%	50V	
C117	1-136-169-00	FILM	0.22MF	5%	50V	
C118	1-136-169-00	FILM	0.22MF	5%	50V	
C119	1-136-162-00	FILM	0.056MF	5%	50V	
C120	1-136-162-00	FILM	0.056MF	5%	50V	
C121	1-110-202-00	MYLAR	0.0039MF	5%	50V	
C122	1-110-202-00	MYLAR	0.0039MF	5%	50V	
C123	1-136-155-00	FILM	0.015MF	5%	50V	
C124	1-136-155-00	FILM	0.015MF	5%	50V	
C125	1-123-380-00	ELECT	1MF	20%	50V	
C126	1-123-369-00	ELECT	4.7MF	20%	50V	
C127	1-110-201-00	MYLAR	0.0033MF	5%	50V	
C131	1-124-907-00	ELECT	10MF	20%	50V	

ELECTRICAL PARTS

Ref.No.	Part No.	Description				
C132	1-124-904-00	ELECT	2.2MF	20%	50V	
C133	1-124-903-00	ELECT	1MF	20%	50V	
C201	1-123-380-00	ELECT	1MF	20%	50V	
C202	1-136-157-00	FILM	0.022MF	5%	50V	
C203	1-123-356-00	ELECT	10MF	20%	50V	
C204	1-123-330-00	ELECT	22MF	20%	25V	
C205	1-104-255-11	POLYSTYRENE	0.0018MF	5%	125V	
C206	1-123-356-00	ELECT	10MF	20%	50V	
C207	1-162-282-31	CERAMIC	100PF	10%	50V	
C208	1-162-282-31	CERAMIC	100PF	10%	50V	
C211	1-104-228-00	POLYSTYRENE	0.0015MF	5%	125V	
C212	1-162-211-31	CERAMIC	33PF	5%	50V	
C213	1-123-330-00	ELECT	22MF	20%	25V	
C214	1-107-159-00	MICA	33PF	5%	500V	
C215	1-123-356-00	ELECT	10MF	20%	50V	
C216	1-124-186-00	ELECT	10MF	20%	50V	
C217	1-136-169-00	FILM	0.22MF	5%	50V	
C218	1-136-169-00	FILM	0.22MF	5%	50V	
C219	1-136-162-00	FILM	0.056MF	5%	50V	
C220	1-136-162-00	FILM	0.056MF	5%	50V	
C221	1-110-202-00	MYLAR	0.0039MF	5%	50V	
C222	1-110-202-00	MYLAR	0.0039MF	5%	50V	
C223	1-136-155-00	FILM	0.015MF	5%	50V	
C224	1-136-155-00	FILM	0.015MF	5%	50V	
C225	1-123-380-00	ELECT	1MF	20%	50V	
C226	1-123-369-00	ELECT	4.7MF	20%	50V	
C227	1-110-201-00	MYLAR	0.0033MF	5%	50V	
C231	1-124-907-00	ELECT	10MF	20%	50V	
C232	1-124-904-00	ELECT	2.2MF	20%	50V	
C233	1-124-903-00	ELECT	1MF	20%	50V	
C301	1-123-333-00	ELECT	100MF	20%	25V	
C302	1-123-333-00	ELECT	100MF	20%	25V	
C303	1-123-330-00	ELECT	22MF	20%	25V	
C304	1-123-330-00	ELECT	22MF	20%	25V	
C305	1-124-700-11	ELECT	33MF	20%	25V	
C306	1-124-700-11	ELECT	33MF	20%	25V	
C307	1-123-310-00	ELECT	470MF	20%	10V	
C308	1-123-308-00	ELECT	220MF	20%	10V	
C309	1-123-308-00	ELECT	220MF	20%	10V	
C310	1-123-330-00	ELECT	22MF	20%	25V	
C311	1-123-330-00	ELECT	22MF	20%	25V	
C312	1-123-330-00	ELECT	22MF	20%	25V	
C313	1-123-330-00	ELECT	22MF	20%	25V	
C314	1-123-330-00	ELECT	22MF	20%	25V	
C315	1-123-330-00	ELECT	22MF	20%	25V	

ELECTRICAL PARTS

Ref.No.	Part No.	Description			
C316	1-123-330-00	ELECT	22MF	20%	25V
C317	1-123-380-00	ELECT	1MF	20%	50V
C318	1-123-330-00	ELECT	22MF	20%	25V
C319	1-162-282-31	CERAMIC	100PF	10%	50V
C320	1-162-596-00	CERAMIC	0.022MF		25V
C321	1-162-203-31	CERAMIC	15PF	5%	50V
C322	1-162-195-31	CERAMIC	4.7PF	10%	50V
C323	1-162-294-31	CERAMIC	0.001MF	10%	50V
C324	1-162-596-00	CERAMIC	0.022MF		25V
C325	1-162-294-31	CERAMIC	0.001MF	10%	50V
C326	1-162-596-00	CERAMIC	0.022MF		25V
C331	1-162-596-00	CERAMIC	0.022MF		25V
C332	1-123-330-00	ELECT	22MF	20%	25V
C333	1-123-330-00	ELECT	22MF	20%	25V
C335	1-162-294-31	CERAMIC	0.001MF	10%	50V
C336	1-162-282-31	CERAMIC	100PF	10%	50V
C337	1-123-330-00	ELECT	22MF	20%	25V
C339	1-123-330-00	ELECT	22MF	20%	25V
C340	1-123-330-00	ELECT	22MF	20%	25V
C341	1-123-330-00	ELECT	22MF	20%	25V
C342	1-123-330-00	ELECT	22MF	20%	25V
C344	1-123-330-00	ELECT	22MF	20%	25V
C345	1-123-330-00	ELECT	22MF	20%	25V
C346	1-123-330-00	ELECT	22MF	20%	25V
C347	1-123-330-00	ELECT	22MF	20%	25V
C348	1-123-330-00	ELECT	22MF	20%	25V
C349	1-123-330-00	ELECT	22MF	20%	25V
C350	1-123-330-00	ELECT	22MF	20%	25V
C351	1-123-308-00	ELECT	220MF	20%	10V
C401	1-162-211-31	CERAMIC	33PF	5%	50V
C402	1-162-211-31	CERAMIC	33PF	5%	50V
C403	1-162-596-00	CERAMIC	0.022MF		25V
C404	1-162-596-00	CERAMIC	0.022MF		25V
C405	1-124-468-11	ELECT	100MF	20%	6.3V
C406	1-124-468-11	ELECT	100MF	20%	6.3V
C407	1-162-596-00	CERAMIC	0.022MF		25V
C408	1-162-561-11	CERAMIC	0.1MF		16V
C409	1-162-561-11	CERAMIC	0.1MF		16V
C410	1-162-561-11	CERAMIC	0.1MF		16V
C411	1-162-561-11	CERAMIC	0.1MF		16V
C412	1-162-561-11	CERAMIC	0.1MF		16V
C413	1-162-596-00	CERAMIC	0.022MF		25V
C414	1-162-596-00	CERAMIC	0.022MF		25V
C415	1-162-561-11	CERAMIC	0.1MF		16V
C416	1-124-468-11	ELECT	100MF	20%	6.3V
C417	1-162-596-00	CERAMIC	0.022MF		25V
C418	1-162-596-00	CERAMIC	0.022MF		25V
C419	1-162-596-00	CERAMIC	0.022MF		25V
C420	1-162-596-00	CERAMIC	0.022MF		25V
C421	1-162-596-00	CERAMIC	0.022MF		25V
C422	1-124-903-00	ELECT	1MF	20%	50V
C423	1-124-907-00	ELECT	10MF	20%	50V
C424	1-162-596-00	CERAMIC	0.022MF		25V
C425	1-162-596-00	CERAMIC	0.022MF		25V
C426	1-124-468-11	ELECT	100MF	20%	6.3V
C427	1-162-596-00	CERAMIC	0.022MF		25V
C428	1-162-561-11	CERAMIC	0.1MF		16V

ELECTRICAL PARTS

Ref.No.	Part No.	Description			
C429	1-124-481-11	ELECT	22MF	20%	25V
C430	1-162-596-00	CERAMIC	0.022MF		25V
C501	1-123-645-00	ELECT	33MF	20%	10V
C502	1-123-612-00	ELECT	2.2MF	20%	50V
C503	1-123-613-00	ELECT	3.3MF	20%	50V
C504	1-162-596-00	CERAMIC	0.022MF		25V
C901	1-124-563-11	ELECT	2200MF	20%	25V
C902	1-124-563-11	ELECT	2200MF	20%	25V
C903	1-124-557-11	ELECT	1000MF	20%	25V
C905	1-123-321-00	ELECT	220MF	20%	16V
C906	1-123-321-00	ELECT	220MF	20%	16V
C907	1-124-897-11	ELECT	3300MF	20%	16V
C908	1-124-897-11	ELECT	3300MF	20%	16V
C909	1-124-897-11	ELECT	3300MF	20%	16V
C910	1-123-343-00	ELECT	33MF	20%	25V
C911	1-124-481-11	ELECT	22MF	20%	25V
C912	1-124-473-11	ELECT	1000MF	20%	10V
C913	1-136-165-00	FILM	0.1MF	5%	50V
C914	1-124-900-51	ELECT	470MF	20%	35V
C915	1-124-911-51	ELECT	220MF	20%	50V
C916	1-124-907-00	ELECT	10MF	20%	50V
C917	1-124-910-91	ELECT	47MF	20%	50V
C918	1-124-927-11	ELECT	4.7MF	20%	50V
C919	1-162-596-00	CERAMIC	0.022MF		25V
C920	1-162-596-00	CERAMIC	0.022MF		25V
C921	1-162-596-00	CERAMIC	0.022MF		25V
C922	1-162-596-00	CERAMIC	0.022MF		25V
CNJ101	1-507-908-11	JACK, PIN 4P			
CNJ102	1-507-908-11	JACK, PIN 4P			
CNJ201	1-507-908-11	JACK, PIN 4P			
CNJ202	1-507-908-11	JACK, PIN 4P			
CNP1	*1-560-339-00	PIN, CONNECTOR 9P			
CNP2	*1-564-339-00	PIN, CONNECTOR 5P			
CNP3	*1-564-495-11	PIN, CONNECTOR 2P			
CNP4	*1-564-341-11	PIN, CONNECTOR 7P			
CNP5	*1-564-341-11	PIN, CONNECTOR 7P			
CNP6	*1-564-342-11	PIN, CONNECTOR 8P			
CP101	1-807-492-11	DIODE (LED BLOCK)			
CP201	1-807-492-11	DIODE (LED BLOCK)			
CP501	1-232-154-00	COMPOSITION CIRCUIT BLOCK			
D101	8-719-933-54	DIODE HZS9A2L			
D102	8-719-911-19	DIODE 1SS119			
D103	8-719-933-38	DIODE HZS6B3L			
D201	8-719-933-53	DIODE HZS9A2L			
D202	8-719-911-19	DIODE 1SS119			
D203	8-719-933-38	DIODE HZS6B3L			
D301	8-719-933-39	DIODE HZS6C1L			
D302	8-719-933-39	DIODE HZS6C1L			
D303	8-719-933-38	DIODE HZS6B3L			
D304	8-719-911-19	DIODE 1SS119			
D305	8-719-933-38	DIODE HZS6B3L			
D306	8-719-911-19	DIODE 1SS119			
D307	8-719-911-19	DIODE 1SS119			
D308	8-719-911-19	DIODE 1SS119			
D309	8-719-802-08	DIODE TLR208			
D401	8-719-911-19	DIODE 1SS119			
D402	8-719-911-19	DIODE 1SS119			
D403	8-719-911-19	DIODE 1SS119			

ELECTRICAL PARTS

Ref.No.	Part No.	Description
D404	8-719-911-19	DIODE 1SS119
D405	8-719-911-19	DIODE 1SS119
D406	8-719-911-19	DIODE 1SS119
D407	8-719-911-19	DIODE 1SS119
D408	8-719-911-19	DIODE 1SS119
D409	8-719-911-19	DIODE 1SS119
D410	8-719-911-19	DIODE 1SS119
D411	8-719-911-19	DIODE 1SS119
D412	8-719-911-19	DIODE 1SS119
D413	8-719-911-19	DIODE 1SS119
D501	8-719-301-38	DIODE SEL2210S-C
D502	8-719-301-38	DIODE SEL2210S-C
D503	8-719-301-38	DIODE SEL2210S-C
D504	8-719-301-38	DIODE SEL2210S-C
D505	8-719-301-38	DIODE SEL2210S-C
D506	8-719-301-38	DIODE SEL2210S-C
D507	8-719-301-38	DIODE SEL2210S-C
D508	8-719-301-38	DIODE SEL2210S-C
D509	8-719-301-38	DIODE SEL2210S-C
D510	8-719-301-38	DIODE SEL2210S-C
D511	8-719-301-38	DIODE SEL2210S-C
D512	8-719-301-38	DIODE SEL2210S-C
D513	8-719-301-38	DIODE SEL2210S-C
D514	8-719-301-38	DIODE SEL2210S-C
D515	8-719-301-38	DIODE SEL2210S-C
D516	8-719-301-38	DIODE SEL2210S-C
D517	8-719-301-38	DIODE SEL2210S-C
D518	8-719-301-38	DIODE SEL2210S-C
D519	8-719-301-38	DIODE SEL2210S-C
D520	8-719-929-15	DIODE HZS9.1N82
D521	8-719-107-94	DIODE 1SS202-1
D522	8-719-107-94	DIODE 1SS202-1
D523	8-719-107-94	DIODE 1SS202-1
D524	8-719-107-94	DIODE 1SS202-1
D525	8-719-107-94	DIODE 1SS202-1
D526	8-719-107-94	DIODE 1SS202-1
D527	8-719-107-94	DIODE 1SS202-1
D528	8-719-107-94	DIODE 1SS202-1
D529	8-719-107-94	DIODE 1SS202-1
D530	8-719-107-94	DIODE 1SS202-1
D531	8-719-107-94	DIODE 1SS202-1
D532	8-719-107-94	DIODE 1SS202-1
D533	8-719-107-94	DIODE 1SS202-1
D901	8-719-210-12	DIODE 10DF2
D902	8-719-210-12	DIODE 10DF2
D903	8-719-210-12	DIODE 10DF2
D904	8-719-210-12	DIODE 10DF2
D905	8-719-200-77	DIODE 10E2N
D906	8-719-200-77	DIODE 10E2N
D907	8-719-210-12	DIODE 10DF2
D908	8-719-210-12	DIODE 10DF2
D909	8-719-210-12	DIODE 10DF2
D910	8-719-210-12	DIODE 10DF2
D911	8-719-200-77	DIODE 10E2N
D912	8-719-200-77	DIODE 10E2N
D913	8-719-934-15	DIODE HZS24-3L
D914	8-719-933-48	DIODE HZS7B3L
D915	8-719-911-19	DIODE 1SS119

The components identified by shading and mark **A** are critical for safety. Replace only with part number specified.

Les composants identifiés par une trame et une marque **A** sont critiques pour la sécurité. Ne les remplacer que par une pièce portant le numéro spécifié.

ELECTRICAL PARTS

Ref.No.	Part No.	Description
F1-F4A	1-532-215-11	(AE, E3)..... FUSE, TIME-LAG 0.8A 250V
F1-F4A	1-532-739-11	(J, US, CA)..... FUSE, GLASS TUBE 0.8A 125V
FLD501	1-519-397-11	INDICATOR TUBE, FLUORESCENT
IC101	8-759-745-60	IC NJM4560D
IC102	8-759-910-75	IC LF353DP
IC103	8-759-910-75	IC LF353DP
IC104	8-759-910-75	IC LF353DP
IC105	8-759-909-98	IC CX-7976
IC106	8-759-700-40	IC NJM4560S
IC107	8-759-700-40	IC NJM4560S
IC108	8-759-912-79	IC IR2E02
IC201	8-759-745-60	IC NJM4560D
IC202	8-759-910-75	IC LF353DP
IC203	8-759-910-75	IC LF353DP
IC204	8-759-910-75	IC LF353DP
IC205	8-759-909-98	IC CX-7976
IC206	8-759-700-40	IC NJM4560S
IC207	8-759-700-40	IC NJM4560S
IC208	8-759-912-79	IC IR2E02
IC301	8-759-700-20	IC NJM79M05A
IC302	8-759-700-11	IC NJM78M05A
IC303	8-759-700-20	IC NJM79M05A
IC304	8-759-745-60	IC NJM4560D
IC305	8-752-001-80	IC CX20018
IC306	8-752-001-70	IC CX20017
IC307	8-759-202-13	IC TC74HC04P
IC308	8-759-140-53	IC UPD4053BC
IC309	8-759-708-05	IC NJM78L05A
IC310	8-759-745-60	IC NJM4560D
IC401	8-759-927-77	IC CXD1079Q
IC402	8-759-929-47	IC M881464-10
IC403	8-759-929-47	IC M881464-10
IC404	8-759-929-47	IC M881464-10
IC405	8-759-929-47	IC M881464-10
IC406	8-759-303-78	IC HD63803XP
IC407	8-759-108-85	IC UPD27C256C-SDR1000
IC408	8-759-102-95	IC UPD4464C-15
IC409	8-759-303-74	IC HD63850P
IC410	8-759-000-99	IC MC74HC74C
IC411	8-759-001-00	IC MC74HC132N
IC412	8-759-202-74	IC TC74HC04P
IC413	8-759-916-15	IC SN74HC05N
IC501	8-759-108-75	IC UPD7528C-036
IC901	8-759-170-12	IC UPC78M12H
IC902	8-759-700-11	IC NJM78M05A
IC903	8-759-700-11	IC NJM78M05A
J101	1-563-363-11	JACK, LARGE TYPE 2P
J102	1-563-363-11	JACK, LARGE TYPE 2P
J201	1-563-363-11	JACK, LARGE TYPE 2P
J202	1-563-363-11	JACK, LARGE TYPE 2P
J401	1-563-363-11	JACK, LARGE TYPE 2P
J402	1-563-363-11	JACK, LARGE TYPE 2P
J403	1-563-169-11	CONNECTOR, DIN 5P
J404	1-563-169-11	CONNECTOR, DIN 5P
J405	1-563-369-11	CONNECTOR, DIN 6P
L301	1-408-902-21	MICRO INDUCTOR 0.47UH
LF1	1-421-340-00	LINE FILTER

ELECTRICAL PARTS

Ref.No.	Part No.	Description			
LPF101	1-464-664-11	FILTER UNIT, LOW PASS			
LPF102	1-464-664-11	FILTER UNIT, LOW PASS			
LPF201	1-464-664-11	FILTER UNIT, LOW PASS			
LPF202	1-464-664-11	FILTER UNIT, LOW PASS			
PH401	8-719-938-71	PC900			
Q101	8-769-162-00	TRANSISTOR 2SK152			
Q102	8-769-162-00	TRANSISTOR 2SK152			
Q103	8-729-107-98	TRANSISTOR 2SC3622A-L			
Q201	8-769-162-00	TRANSISTOR 2SK152			
Q202	8-769-162-00	TRANSISTOR 2SK152			
Q203	8-729-107-98	TRANSISTOR 2SC3622A-L			
Q301	8-729-180-93	TRANSISTOR 2SD809			
Q302	8-729-315-22	TRANSISTOR 2SD1152			
Q303	8-729-315-22	TRANSISTOR 2SD1152			
Q304	8-729-203-02	TRANSISTOR 2SK30A-0			
Q305	8-729-173-13	TRANSISTOR 2SB731			
Q306	8-729-384-48	TRANSISTOR 2SA844			
Q307	8-729-384-48	TRANSISTOR 2SA844			
Q308	8-729-203-02	TRANSISTOR 2SK30A-0			
Q401	8-729-900-61	TRANSISTOR DTA114ES			
Q402	8-729-900-89	TRANSISTOR DTC114ES			
Q403	8-729-900-80	TRANSISTOR DTC114ES			
Q404	8-729-117-54	TRANSISTOR 2SA1175			
Q501	8-729-900-80	TRANSISTOR DTC114ES			
Q502	8-729-900-80	TRANSISTOR DTC114ES			
Q503	8-729-900-80	TRANSISTOR DTC114ES			
Q504	8-729-900-80	TRANSISTOR DTC114ES			
Q505	8-729-900-80	TRANSISTOR DTC114ES			
Q506	8-729-900-80	TRANSISTOR DTC114ES			
Q507	8-729-900-80	TRANSISTOR DTC114ES			
Q508	8-729-900-80	TRANSISTOR DTC114ES			
Q509	8-729-900-80	TRANSISTOR DTC114ES			
Q510	8-729-900-80	TRANSISTOR DTC114ES			
Q511	8-729-900-80	TRANSISTOR DTC114ES			
Q512	8-729-900-80	TRANSISTOR DTC114ES			
Q513	8-729-900-89	TRANSISTOR DTC114ES			
Q514	8-729-900-89	TRANSISTOR DTC114ES			
Q515	8-729-900-89	TRANSISTOR DTC114ES			
Q516	8-729-900-61	TRANSISTOR DTA114ES			
Q517	8-729-900-61	TRANSISTOR DTA114ES			
Q518	8-729-900-61	TRANSISTOR DTA114ES			
Q901	8-729-802-22	TRANSISTOR 2SB1014			
Q902	8-729-606-33	TRANSISTOR 2SC2603-F			
Q903	8-729-606-33	TRANSISTOR 2SC2603-F			
Q904	8-729-606-33	TRANSISTOR 2SC2603-F			
Q905	8-729-900-89	TRANSISTOR DTC114ES			
Q906	8-729-900-89	TRANSISTOR DTC114ES			
Q907	8-729-117-54	TRANSISTOR 2SA1175			
R101	1-249-947-11	CARBON	10K	1%	1/4W
R102	1-249-915-11	CARBON	470	1%	1/4W
R103	1-249-608-91	CARBON	220K		1/4W
R104	1-249-608-91	CARBON	220K		1/4W
R105	1-247-704-11	CARBON	220		1/4W
R106	1-249-930-91	CARBON	2K	1%	1/4W
R107	1-249-919-11	CARBON	680	1%	1/4W
R108	1-249-944-91	CARBON	7.5K	1%	1/4W
R109	1-249-469-11	CARBON	100K		1/4W

ELECTRICAL PARTS

Ref.No.	Part No.	Description			
R110	1-247-717-11	CARBON	2.2K	1%	1/4W
R111	1-249-941-91	CARBON	5.6K	1%	1/4W
R112	1-249-947-11	CARBON	10K	1%	1/4W
R113	1-249-589-11	CARBON	36K		1/4W
R114	1-249-429-11	CARBON	10K		1/6W
R115	1-249-947-11	CARBON	10K	1%	1/4W
R116	1-249-919-11	CARBON	680	1%	1/4W
R117	1-249-556-11	CARBON	1.5K		1/4W
R118	1-247-163-00	CARBON	22K		1/4W
R119	1-247-708-11	CARBON	470		1/4W
R120	1-247-713-11	CARBON	1K		1/4W
R121	1-247-163-00	CARBON	22K		1/4W
R122	1-247-717-11	CARBON	2.2K		1/4W
R123	1-247-145-00	CARBON	3.9K		1/4W
R124	1-249-429-11	CARBON	10K	5%	1/6W
R131	1-249-425-11	CARBON	4.7K	5%	1/6W
R132	1-249-421-11	CARBON	2.2K	5%	1/6W
R133	1-249-951-11	CARBON	15K	1%	1/4W
R134	1-247-193-00	CARBON	22K	1%	1/4W
R135	1-247-725-11	CARBON	10K		1/4W
R136	1-249-951-11	CARBON	15K	1%	1/4W
R137	1-247-725-11	CARBON	10K		1/4W
R138	1-249-949-91	CARBON	12K	1%	1/4W
R139	1-247-704-11	CARBON	220		1/4W
R140	1-249-949-91	CARBON	12K	1%	1/4W
R141	1-249-429-11	CARBON	10K	5%	1/6W
R142	1-247-845-00	CARBON	3.9K	5%	1/6W
R143	1-247-895-00	CARBON	470K	5%	1/6W
R144	1-249-434-11	CARBON	27K	5%	1/6W
R145	1-247-838-00	CARBON	2K	5%	1/6W
R146	1-247-895-00	CARBON	470K	5%	1/6W
R147	1-249-434-11	CARBON	27K	5%	1/6W
R148	1-247-837-00	CARBON	1.8K	5%	1/6W
R149	1-247-895-00	CARBON	470K	5%	1/6W
R150	1-249-434-11	CARBON	27K	5%	1/6W
R151	1-249-419-11	CARBON	1.5K	5%	1/6W
R152	1-247-895-00	CARBON	470K	5%	1/6W
R153	1-249-434-11	CARBON	27K	5%	1/6W
R154	1-247-836-00	CARBON	1.6K	5%	1/6W
R155	1-247-163-00	CARBON	22K		1/4W
R156	1-247-163-00	CARBON	22K		1/4W
R157	1-249-469-11	CARBON	100K		1/4W
R158	1-249-918-91	CARBON	620	1%	1/4W
R159	1-249-941-91	CARBON	5.6K	1%	1/4W
R160	1-249-949-91	CARBON	12K	1%	1/4W
R161	1-249-946-91	CARBON	9.1K	1%	1/4W
R162	1-249-918-91	CARBON	620	1%	1/4W
R163	1-247-125-00	CARBON	560		1/4W
R164	1-247-857-00	CARBON	12K	5%	1/6W
R165	1-249-941-91	CARBON	5.6K	1%	1/4W
R166	1-249-947-11	CARBON	10K	1%	1/4W
R171	1-249-435-11	CARBON	33K	5%	1/6W
R172	1-247-858-00	CARBON	13K	5%	1/6W
R173	1-249-441-11	CARBON	100K	5%	1/6W
R174	1-249-441-11	CARBON	100K	5%	1/6W
R175	1-249-429-11	CARBON	10K	5%	1/6W
R176	1-249-429-11	CARBON	10K	5%	1/6W

ELECTRICAL PARTS

Ref.No.	Part No.	Description			
R201	1-249-947-11	CARBON	10K	1%	1/4W
R202	1-249-915-11	CARBON	470	1%	1/4W
R203	1-249-608-91	CARBON	220K		1/4W
R204	1-249-608-91	CARBON	220K		1/4W
R205	1-247-704-11	CARBON	220		1/4W
R206	1-249-930-91	CARBON	2K	1%	1/4W
R207	1-249-919-11	CARBON	680	1%	1/4W
R208	1-249-944-91	CARBON	7.5K	1%	1/4W
R209	1-249-469-11	CARBON	100K		1/4W
R210	1-247-717-11	CARBON	2.2K	1%	1/4W
R211	1-249-941-91	CARBON	5.6K	1%	1/4W
R212	1-249-947-11	CARBON	10K	1%	1/4W
R213	1-249-589-11	CARBON	36K		1/4W
R214	1-249-429-11	CARBON	10K		1/6W
R215	1-249-947-11	CARBON	10K	1%	1/4W
R216	1-249-919-11	CARBON	680	1%	1/4W
R217	1-249-556-11	CARBON	1.5K		1/4W
R218	1-247-163-00	CARBON	22K		1/4W
R219	1-247-708-11	CARBON	470		1/4W
R220	1-247-713-11	CARBON	1K		1/4W
R221	1-247-163-00	CARBON	22K		1/4W
R222	1-247-717-11	CARBON	2.2K		1/4W
R223	1-247-145-00	CARBON	3.9K		1/4W
R224	1-249-429-11	CARBON	10K	5%	1/6W
R231	1-249-425-11	CARBON	4.7K	5%	1/6W
R232	1-249-421-11	CARBON	2.2K	5%	1/6W
R233	1-249-951-11	CARBON	15K	1%	1/4W
R234	1-247-193-00	CARBON	22K	1%	1/4W
R235	1-247-725-11	CARBON	10K		1/4W
R236	1-249-951-11	CARBON	15K	1%	1/4W
R237	1-247-725-11	CARBON	10K		1/4W
R238	1-249-949-91	CARBON	12K	1%	1/4W
R239	1-247-704-11	CARBON	220		1/4W
R240	1-249-949-91	CARBON	12K	1%	1/4W
R241	1-249-429-11	CARBON	10K	5%	1/6W
R242	1-247-845-00	CARBON	3.9K	5%	1/6W
R243	1-247-895-00	CARBON	470K	5%	1/6W
R244	1-249-434-11	CARBON	27K	5%	1/6W
R245	1-247-838-00	CARBON	2K	5%	1/6W
R246	1-247-895-00	CARBON	470K	5%	1/6W
R248	1-247-837-00	CARBON	1.8K	5%	1/6W
R249	1-247-895-00	CARBON	470K	5%	1/6W
R251	1-249-419-11	CARBON	1.5K	5%	1/6W
R252	1-247-895-00	CARBON	470K	5%	1/6W
R254	1-247-836-00	CARBON	1.6K	5%	1/6W
R255	1-247-163-00	CARBON	22K		1/4W
R256	1-247-163-00	CARBON	22K		1/4W
R257	1-249-469-11	CARBON	100K		1/4W
R258	1-249-918-91	CARBON	620	1%	1/4W
R259	1-249-941-91	CARBON	5.6K	1%	1/4W
R260	1-249-949-91	CARBON	12K	1%	1/4W
R261	1-249-946-91	CARBON	9.1K	1%	1/4W
R262	1-249-918-91	CARBON	620	1%	1/4W
R263	1-247-125-00	CARBON	560		1/4W
R264	1-247-857-00	CARBON	12K	5%	1/6W
R265	1-249-941-91	CARBON	5.6K	1%	1/4W
R266	1-249-947-11	CARBON	10K	1%	1/4W
R271	1-249-435-11	CARBON	33K	5%	1/6W

ELECTRICAL PARTS

Ref.No.	Part No.	Description			
R272	1-247-858-00	CARBON	13K	5%	1/6W
R273	1-249-441-11	CARBON	100K	5%	1/6W
R274	1-249-441-11	CARBON	100K	5%	1/6W
R275	1-249-429-11	CARBON	10K	5%	1/6W
R276	1-249-429-11	CARBON	10K	5%	1/6W
R301	1-249-812-91	CARBON	2.7K	1%	1/2W
R302	1-249-814-91	CARBON	3.3K	1%	1/2W
R303	1-249-814-91	CARBON	3.3K	1%	1/2W
R304	1-249-812-91	CARBON	2.7K	1%	1/2W
R305	1-247-725-11	CARBON	10K		1/4W
R306	1-247-725-11	CARBON	10K		1/4W
R307	1-247-725-11	CARBON	10K		1/4W
R308	1-249-951-11	CARBON	15K	1%	1/4W
R309	1-249-425-11	CARBON	4.7K	5%	1/6W
R310	1-249-417-11	CARBON	1K	5%	1/6W
R311	1-249-422-11	CARBON	2.7K	5%	1/6W
R312	1-249-425-11	CARBON	4.7K	5%	1/6W
R313	1-247-725-11	CARBON	10K		1/4W
R314	1-249-957-91	CARBON	27K	1%	1/4W
R315	1-249-419-11	CARBON	1.5K	5%	1/6W
R316	1-249-437-11	CARBON	47K	5%	1/6W
R317	1-249-417-11	CARBON	1K	5%	1/6W
R318	1-249-417-11	CARBON	1K	5%	1/6W
R319	1-249-441-11	CARBON	100K	5%	1/6W
R401	1-249-405-11	CARBON	100	5%	1/6W
R402	1-249-405-11	CARBON	100	5%	1/6W
R403	1-249-405-11	CARBON	100	5%	1/6W
R404	1-249-405-11	CARBON	100	5%	1/6W
R405	1-249-441-11	CARBON	100K	5%	1/6W
R406	1-249-441-11	CARBON	100K	5%	1/6W
R407	1-249-441-11	CARBON	100K	5%	1/6W
R408	1-249-441-11	CARBON	100K	5%	1/6W
R413	1-249-441-11	CARBON	100K	5%	1/6W
R414	1-249-435-11	CARBON	33K	5%	1/6W
R415	1-247-891-00	CARBON	330K	5%	1/6W
R416	1-249-405-11	CARBON	100	5%	1/6W
R417	1-249-417-11	CARBON	1K	5%	1/6W
R418	1-249-429-11	CARBON	10K	5%	1/6W
R419	1-249-429-11	CARBON	10K	5%	1/6W
R420	1-249-429-11	CARBON	10K	5%	1/6W
R421	1-249-429-11	CARBON	10K	5%	1/6W
R422	1-249-429-11	CARBON	10K	5%	1/6W
R423	1-249-417-11	CARBON	1K	5%	1/6W
R424	1-249-417-11	CARBON	1K	5%	1/6W
R425	1-249-417-11	CARBON	1K	5%	1/6W
R426	1-249-433-11	CARBON	22K	5%	1/6W
R427	1-249-433-11	CARBON	22K	5%	1/6W
R428	1-249-433-11	CARBON	22K	5%	1/6W
R429	1-249-433-11	CARBON	22K	5%	1/6W
R430	1-249-433-11	CARBON	22K	5%	1/6W
R431	1-249-433-11	CARBON	22K	5%	1/6W
R432	1-249-425-11	CARBON	4.7K	5%	1/6W
R433	1-249-429-11	CARBON	10K	5%	1/6W
R434	1-247-815-00	CARBON	220	5%	1/6W
R435	1-247-815-00	CARBON	220	5%	1/6W
R436	1-247-815-00	CARBON	220	5%	1/6W
R437	1-247-815-00	CARBON	220	5%	1/6W
R438	1-249-421-11	CARBON	2.2K	5%	1/6W

ELECTRICAL PARTS

Ref.No.	Part No.	Description			
R439	1-249-429-11	CARBON	10K	5%	1/6W
R440	1-249-441-11	CARBON	100K	5%	1/6W
R441	1-249-441-11	CARBON	100K	5%	1/6W
R442	1-247-815-00	CARBON	220	5%	1/6W
R443	1-247-815-00	CARBON	220	5%	1/6W
R444	1-249-421-11	CARBON	2.2K	5%	1/6W
R501	1-247-875-00	CARBON	68K	5%	1/6W
R502	1-249-429-11	CARBON	10K	5%	1/6W
R503	1-249-417-11	CARBON	1K	5%	1/6W
R504	1-249-417-11	CARBON	1K	5%	1/6W
R505	1-249-405-11	CARBON	100	5%	1/6W
R506	1-249-405-11	CARBON	100	5%	1/6W
R507	1-249-417-11	CARBON	1K	5%	1/6W
R509	1-249-429-11	CARBON	10K	5%	1/6W
R510	1-249-429-11	CARBON	10K	5%	1/6W
R511	1-249-405-11	CARBON	100	5%	1/6W
R512	1-249-405-11	CARBON	100	5%	1/6W
R513	1-249-405-11	CARBON	100	5%	1/6W
R514	1-249-429-11	CARBON	10K	5%	1/6W
R523	1-249-434-11	CARBON	27K	5%	1/6W
R901	1-247-118-00	CARBON	300	5%	1/4W
R902	1-247-811-00	CARBON	150	5%	1/6W
R903	1-247-885-00	CARBON	180K	5%	1/6W
R904	1-249-437-11	CARBON	47K	5%	1/6W
R905	1-249-437-11	CARBON	47K	5%	1/6W
R906	1-249-425-11	CARBON	4.7K	5%	1/6W
R907	1-249-433-11	CARBON	22K	5%	1/6W
R908	1-249-421-11	CARBON	2.2K	5%	1/6W
R909	1-247-823-00	CARBON	470	5%	1/6W
R911	1-247-843-00	CARBON	3.3K	5%	1/6W
R912	1-249-433-11	CARBON	22K	5%	1/6W
R913	1-249-433-11	CARBON	22K	5%	1/6W
R914	1-249-437-11	CARBON	47K	5%	1/6W
RV101	1-237-292-11	RES, VAR, CARBON 20K/20K			
*RV102	1-230-523-11	(UP TO SERIAL NUMBER , 04,011)RES, ADJ, METAL GLAZE 10K			
*RV102	1-224-252-XX	(SERIAL NUMBER , 04,012 AND LATER)RES, ADJ, METAL GLAZE 10K			
RV103	1-230-521-11	RES, ADJ, METAL GLAZE 2.2K			
RV104	1-237-306-11	RES, VAR, CARBON 10K/10K			
RV105	1-237-306-11	RES, VAR, CARBON 10K/10K			
RV106	1-228-994-00	RES, ADJ, CARBON 10K			
RV201	1-237-292-11	RES, VAR, CARBON 20K/20K			
*RV202	1-230-523-11	(UP TO SERIAL NUMBER , 04,011)RES, ADJ, METAL GLAZE 10K			
*RV202	1-224-252-XX	(SERIAL NUMBER , 04,012 AND LATER)RES, ADJ, METAL GLAZE 10K			
RV203	1-230-521-11	RES, ADJ, METAL GLAZE 2.2K			
RV204	1-237-306-11	RES, VAR, CARBON 10K/10K			
RV205	1-237-306-11	RES, VAR, CARBON 10K/10K			
RV206	1-228-994-00	RES, ADJ, CARBON 10K			

● * : selected to yield optimum performance.

ELECTRICAL PARTS

Ref.No.	Part No.	Description
RY301	1-515-519-00	RELAY
RY302	1-515-519-00	RELAY
RY303	1-515-519-00	RELAY
S1	A 1-553-318-00	SWITCH, PUSH (AC POWER)(1-KEY)
S2	A 1-526-576-51	(E3)...SELECTOR, POWER VOLTAGE
S3	1-552-571-00	SWITCH, PUSH (BYPASS)
S4	1-553-963-00	SWITCH, PUSH (1 KEY)(LEVEL)
S501	1-554-813-11	SWITCH, KEY BOARD (MEMORY)
S502	1-554-813-11	SWITCH, KEY BOARD (WRITE)
S503	1-554-813-11	SWITCH, KEY BOARD (EDIT)
S504	1-554-813-11	SWITCH, KEY BOARD (EQ)
S505	1-554-813-11	SWITCH, KEY BOARD (MIDI)
S506	1-554-303-21	SWITCH, KEY BOARD (REV.T.LOW)
S507	1-554-303-21	SWITCH, KEY BOARD (E.REF.T)
S508	1-554-303-21	SWITCH, KEY BOARD (RT.HIGH)
S509	1-554-303-21	SWITCH, KEY BOARD (SIZE)
S510	1-554-303-21	SWITCH, KEY BOARD (F.B.LEV)
S511	1-554-303-21	SWITCH, KEY BOARD (SPEED)
S512	1-554-303-21	SWITCH, KEY BOARD (CH.SYNC)
S513	1-554-303-21	SWITCH, KEY BOARD (+)
S514	1-554-303-21	SWITCH, KEY BOARD (PRE-DELAY)
S515	1-554-303-21	SWITCH, KEY BOARD (E.REF.LEV)
S516	1-554-303-21	SWITCH, KEY BOARD (PHASE)
S517	1-554-303-21	SWITCH, KEY BOARD (GATE T)
S518	1-554-303-21	SWITCH, KEY BOARD (TAP)
S519	1-554-303-21	SWITCH, KEY BOARD (DEPTH)
S520	1-554-303-21	SWITCH, KEY BOARD (CH.EDIT)
S521	1-554-303-21	SWITCH, KEY BOARD (-)
T1	A 1-448-591-11	(AE).....TRANSFORMER, POWER
T1	A 1-448-592-11	(E3).....TRANSFORMER, POWER
T1	A 1-448-593-11	(US,CA)...TRANSFORMER, POWER
T1	A 1-448-594-11	(J).....TRANSFORMER, POWER
X301	1-567-709-11	OSCILLATOR, CRYSTAL
X401	1-567-132-00	VIBLATOR, CERAMIC

ACCESSORY & PACKING MATERIAL

Part No.	Description
3-701-630-00	BAG, POLYETHYLENE
3-765-463-01	(J).....MANUAL, INSTRUCTION
3-765-463-11	(US,CA,AE,E3)...MANUAL, INSTRUCTION
3-765-463-21	(CA,AE,E3).....MANUAL, INSTRUCTION
4-916-325-01	SHEET, PROTECTION
4-916-326-01	INDIVIDUAL CARTON
4-916-328-01	CUSHION (RIGHT)
4-916-329-01	CUSHION (LEFT)

The components identified by shading and mark ~~A~~ are critical for safety. Replace only with part number specified.

Les composants identifiés par une trame et une marque ~~A~~ sont critiques pour la sécurité. Ne les remplacer que par une pièce portant le numéro spécifié.