



# 1270P MONITOR

p/n 071-1271-000 (120V)

# SERVICE MANUAL



## CONTENTS:

- Notices
- Specifications
- Service notes
- Parts lists:
  - PCB assembly
  - Chassis (input) assembly
  - Cab (baffle) assembly
  - End item
- Schematics/drawings

1270P MONITOR  
(This is the name for warranty claims)

# SERVICE MANUAL

MARCH 2000

## IMPORTANT NOTICE:

The information contained herein is CONFIDENTIAL and PROPRIETARY to Fender Musical Instruments Corp. It is disclosed solely for use by qualified technicians for purposes of equipment maintenance and service. It is not to be disclosed to others without the expressed permission of Fender Musical Instruments Co. All specifications subject to change without notice.

For warranty repair service, only Fender specified part numbers are to be used. It is recommended they also be used for post-warranty maintenance and repair.

Parts marked with an asterisk (\*) indicate the required use of that specific part. This is necessary for RELIABILITY and SAFETY requirements. **DO NOT USE A SUBSTITUTE!**

A coded naming convention is used in the description of certain parts. The codes and what they mean are as follows:

### CAPACITOR CODES

CAP AE = Aluminum Electrolytic  
CAP CA = Ceramic Axial  
CAP CD = Ceramic Disk  
CAP MPF = Metalized Polyester Film  
CAP MY = Mylar  
CAP PFF = Polyester Film/Foil

### RESISTOR CODES

RES CC = Carbon Comp  
RES CF = Carbon Film  
RES FP = Flame Proof  
RES MF = Metal Film  
RES WW = Wire Wound

### HARDWARE CODES

BLX = Black Oxide  
CR = Chrome Plated  
HWH = Hex Washer Head  
M = Machine Screw  
NI = Nickel Plated  
OHP = Oval Head Phillips  
PB = Particle Board  
PHP = Pan Head Phillips  
PHPS = Pan Head Phillips Sems  
SMA = Sheet Metal "A" Point  
SMB = Sheet Metal "B" Point  
SS = Stainless Steel  
TF = Thread Forming  
ZI = Zinc Plated

## 1270P MONITOR

# SPECIFICATIONS

<b>Product Release No.:</b>	PR 435 <i>(This is not a model number)</i>	
<b>Part Number:</b>	71-1271-000 (120V, 60Hz) 71-1271-040 (230V, 50Hz)	71-1271-060 (230V, 50Hz) Eur 71-1271-030 (240V, 50Hz) Aust
<b>Power Requirement:</b>	360W	
<b>Power Output:</b>	100W, THD <0.5% (bi-amped)	
<b>Inputs:</b>	XLR Balanced, mic-level ( <b>Mic</b> input supplied w/full-time 15V phantom pwr); 1/4" TRS balanced, line-level ( <b>LINE</b> input); 1/4" TS unbalanced, line level ( <b>AMP IN</b> input)	
<b>Outputs:</b>	1/4" TS unbalanced, line-level ( <b>LINE OUT</b> output)	
<b>Frequency Response:</b>	110Hz - 20k	
<b>Maximum Output SPL at 1M:</b>	109dB (continuous)    115dB (peak)	
<b>Input Sensitivity:</b>	<b>Line:</b> 100mV RMS, -20dBV and <b>Mic:</b> 10mV RMS, -40dBV <b>Amp In:</b> 1V RMS, 0dBV ( <b>LEVEL @</b> max for all three inputs)	
<b>Tone Control:</b>	+/- 10 dB @ 12kHz	
<b>Low Freq. Driver:</b>	10" (25.4 cm), 4Ω with 2" (5.1 cm) Voice Coil (p/n 0055911000)	
<b>High Freq. Driver:</b>	Coaxial Piezo Compression Driver, 1.5" Diaphragm (p/n 0055741000)	
<b>Maximum Output:</b>	115dB (Continuous), 121dB (peak @ 1 Meter)	
<b>Crossover Freq:</b>	2.2kHz	
<b>Dimensions:</b>	Height: 13 3/8"	(34 cm)
	Width: 13 3/8"	(34 cm)
	Depth: 9 1/8"	(23.2 cm)
<b>Weight:</b>	22 lbs.	(10 kg)

*Product specifications are subject to change without notice*

1270P MONITOR  
**SERVICE NOTES**

**Disassembly For Servicing**

**Accessing power amp:**

Remove four (4) screws securing the metal grille, remove grille; remove two (2) screws securing the heatsink, the wires are sufficiently long to allow removal of the power amp PCB assembly

**Accessing input assembly:**

Remove four (4) screws securing the input plate, the plate/PCB assembly may be removed through the opening (note: it may be necessary to clip one or two wire ties in order to accomplish this).

**Transformer replacement:**

In the event it becomes necessary to access or replace the power transformer, the wooden baffle will have to be removed; this can be accomplished by first removing the grille, removing twelve (12) screws around the perimeter of the baffle, then removing the baffle. The transformer is mounted to the baffle with three (3) screws (Note: the input assembly will have to be removed in order to disconnect the transformer leads).

**Speaker Replacement:**

Remove four (4) screws securing the metal grille, remove the grille; remove four (4) screws securing the speaker, remove speaker. The speaker is comprised of a low-frequency driver and a high-frequency driver. Each is separately replaceable. To remove the high-frequency driver, unscrew it from the rear of the low-frequency driver. Take care not to lose the gasket which is inside the threaded hole.

**PARTS LIST**

*NOTE: SHADED ITEMS ARE FOR REFERENCE ONLY*

**PRINTED CIRCUIT BOARD ASSEMBLY**

<b>QTY</b>	<b>PART #</b>	<b>DESCRIPTION</b>	<b>REFERENCE DESIGNATION</b>
1	0028458003	CAP AE RDL 1uF 50V 20%	C9
2	0028459003	CAP AE RDL 2.2uF 50V 20%	C5-6
2	0028463003	CAP AE RDL 10uF 50V 20%	C25-26
7	0028467003	CAP AE RDL 22uF 50V 20%	C10 C12 C14-16 C23 C35
2	0028471003	CAP AE RDL 47uF 50V 20%	C3-4
2	0028474003	CAP AE RDL 100uF 25V 20%	C17-18
3	0028479003	CAP AE RDL 220uF 25V 20%	C40-42
2	0056479000	CAP AE RDL 2200uF 25V LOPROFIL	C46-47
2	0031756000	CAP AE RDL 4700uF 50V +100%-20%	C50-51

1270P MONITOR  
PRINTED CIRCUIT BOARD ASSEMBLY (cont)

QTY	PART #	DESCRIPTION	REFERENCE DESIGNATION
1	0051414003	CAP CD 5pF 500V 5%	C11
4	0051405003	CAP CD 120pF 500V 5%	C1-2 C7-8
8	0034788003	CAP CR .1uF 50V 20% .2" LS	C21-22 C24 C27-28 C33 C38-39
3	0027260003	CAP MPF .0039uF 100V 10%	C19-20 C30
2	0027263003	CAP MPF .0082uF 100V 10%	C13 C29
1	0047165000	CAP MPF .01uF 250VAC 20%	C43
1	0027265003	CAP MPF .015uF 100V 10%	C31
4	0052003003	CAP MPF .1uF 250V 10%	C44-45 C48-49
2	0027283003	CAP MPF .33uF 63V 10%	C32 C34
2	0030935003	CAP PFF RDL .0018uF 50V 5%	C36-37
2	0031266000	CONTROL RTRY 50k B TAPER	R14 R16
6	0064089001	DIODE 1N4003	D8-9 D12-15
1	0006260001	DIODE 1N4448 SIGNAL	D1
4	0020534000	DIODE 1N5402 RECTIFIER 200V C&F	D16-19
2	0025821001	DIODE HV FDH400 SWITCHING LL	D4-5
2	0056476060	DIODE MUR420 FAST RECOVERY 200V	D2-3
2	0027329001	DIODE ZEN 1N5228B 3.9V 5% LL	D6-7
2	0028119060	DIODE ZEN 1N5353B 16V 5W 5%	D10-11
8	0025802000	FSTN TAB MALE .250x.032 PCB MT	P1-7 P9
2	0051094003	FUSE CLIP PCB 5mm (EXPT)	F1
2	0027416000	HDR .1 CTR 8 CKT SQ PIN	P8 P8A
1	0041905000	SPACER RND .120X.187X.865	AT D20
2	0051198000	IC OP AMP DUAL BA4560N SIP	U1-2
1	0051934000	IC POWER AMP TDA2050V 32W	U3
1	0055879000	IC POWER AMP TDA7294V 100W	U4
2	0055922000	INDUCTOR AIR CORE AXL 1.0uH	L1-2
2	0051006000	JACK 1/4 PCB DUAL TIP MONO	J3-4
1	0051007000	JACK 1/4 PCB STEREO W/ SWITCH	J2
1	0030755000	LED GREEN T-1 3mm DIFFUSED	D20
1	0055914000	PCB FAB 1270P	
3	0025818001	RES CF 1/4W 5% 4.7ohm LL	R32 R34 R38
2	0024937001	RES CF 1/4W 5% 10ohm LL	R33 R49
2	0024952001	RES CF 1/4W 5% 100ohm LL	R20 R53
6	0024957001	RES CF 1/4W 5% 270ohm LL	R35 R37 R41 R44-45 R47
1	0029341001	RES CF 1/4W 5% 360ohm LL	R30
1	0024965001	RES CF 1/4W 5% 1k LL	R26
3	0024972001	RES CF 1/4W 5% 2.7k LL	R24 R42-43
1	0028034001	RES CF 1/4W 5% 5.1k LL	R13
1	0024979001	RES CF 1/4W 5% 6.8k LL	R39
1	0024981001	RES CF 1/4W 5% 10k LL	R23
1	0029002001	RES CF 1/4W 5% 11k LL	R11
1	0029539001	RES CF 1/4W 5% 13k LL	R15
2	0024985001	RES CF 1/4W 5% 15k LL	R29 R31
3	0029006001	RES CF 1/4W 5% 20k LL	R22 R46 R48
1	0024987001	RES CF 1/4W 5% 22k LL	R27
1	0028863001	RES CF 1/4W 5% 24k LL	R12
1	0028865001	RES CF 1/4W 5% 30k LL	R21
1	0024991001	RES CF 1/4W 5% 39k LL	R36
1	0028956001	RES CF 1/4W 5% 43k LL	R25
1	0028153001	RES CF 1/4W 5% 75k LL	R10

1270P MONITOR  
**PRINTED CIRCUIT BOARD ASSEMBLY (cont)**

<b>QTY</b>	<b>PART #</b>	<b>DESCRIPTION</b>	<b>REFERENCE DESIGNATION</b>
4	0024997001	RES CF 1/4W 5% 100k LL	R9 R17-19
4	0031819001	RES MF 1/4W 1% 1.82k LL	R1-4
4	0031818001	RES MF 1/4W 1% 18.2k LL	R5-8
1	0015718001	RES MF 1/4W 1% 1.00k LL	R40
1	0030737001	RES CF 1/2W 5% 5.6ohm LL	R28
1	0037169001	RES CF 1/2W 5% 1.8k LL	R50
2	0039189000	RES WW BT 7W 10% 390ohm	R51-52
1	0050573000	XLR CONNECTOR FEMALE GOLD	J1
3	0025751003	XSTR NPN 2SC2362K/2SC2389STPS	Q3 Q6 Q8
1	0028114000	XSTR NPN TIP142 TO-218AC	Q1
3	0025752003	XSTR PNP 2SA1038STPS	Q4-5 Q7
1	0028115000	XSTR PNP TIP147 TO-218AC	Q2

**INPUT (CHASSIS) ASSEMBLY**

<b>QTY</b>	<b>PART #</b>	<b>DESCRIPTION</b>	<b>REFERENCE DESIGNATION</b>
1	0055728000	PCB ASSY 1270 CROSSOVER	
1	0055715000	PLATE INPUT 1270 MONITOR	
2	0021956000	JACK PHONE OPEN CIRCUIT 11	
4	0025804000	STANDOFF 6-32x1/2 RND AL	
8	0031184000	SCRW M6-32x1/4 PHPS BLX ITLW	
2	0016436000	WSHR LCK INTL 3/8x.687x.035 NI	
2	0031153000	WSHR FLAT 3/8x.614 NI	
2	0016352000	NUT HEX 3/8-32x3/32 TK NI	

**BAFFLE (CAB) ASSEMBLY**

<b>QTY</b>	<b>PART #</b>	<b>DESCRIPTION</b>	<b>REFERENCE DESIGNATION</b>
1.18	0047792000	PLYWOOD BALTIC BIRCH 5/8" SF	
0.174	0040046000	CARPET BLACK SY	
4	0021972000	NUT T 10-32x3/4 STR 3 PRNG BLX	

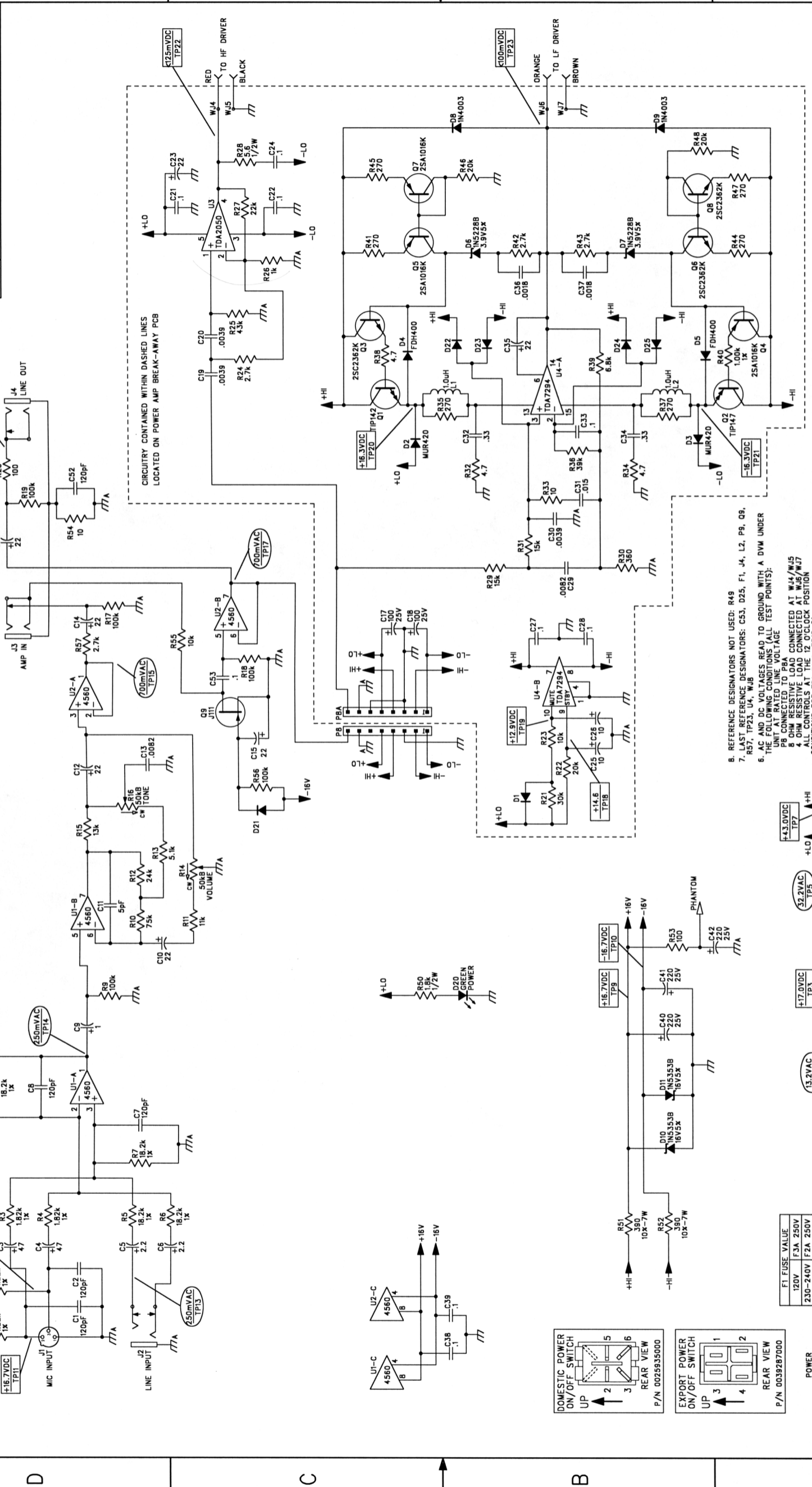
**END ITEM ASSEMBLY**

<b>QTY</b>	<b>PART #</b>	<b>DESCRIPTION</b>	<b>REFERENCE DESIGNATION</b>
1	0055598000	BAFFLEBOARD ASSY 1270 MONITOR	
1	0055376000	CABINET 1270 MONITOR	
1	0055740000	SPKR 10" 8 OHM COAXIAL	
1	0055741000	DRIVER HORN PIEZO	
1	0055742000	GASKET HORN THROAT	
1	0055743000	INPUT ASSY 1270 MONITOR	
1	0051494000	POLY DAMPING	
1	0055618000	GRILLE 1270 MONITOR	
1	0055744000	LOGO ELLIPTICAL RED "F"	
2	0055732000	PUSH NUT 1/8" POST	
4	0029677000	SCRW SMA 6x1 THP BLX	

1270P MONITOR  
END ITEM ASSEMBLY (cont)

<b>QTY</b>	<b>PART #</b>	<b>DESCRIPTION</b>	<b>REFERENCE DESIGNATION</b>
21	0024052000	SCRW SMA 6-x5/8 PHP BLX	
4	0026553000	SCRW M 8-32x3/8 PHP BLX	
1	0055746000	BAR HANDLE PLASTIC	
4	0055733000	SCRW M 8-32x1/2 OHP BLX	
4	0026577000	SCRW M 10-32x1 PHP BLX	
8	0022004000	NUT KEPS #8-32 ZINC	
1	0055722000	U-CHANNEL RUBBER	
9	0055748000	RUBBER FOOT 1/2" DIA	
4	0055734000	RUBBER FOOT 3/4" DIA	

REVISIONS			
REV.	DESCRIPTION	DATE	APPROVED
A	PR435	10-JAN-00	E M M
B	EC 2482	20-APR-00	E M M
C	EC 2502	06-JUN-00	E M M



**Fender MUSICAL INSTRUMENTS**  
Corona, CA U.S.A.

TITLE: SERVICE DIAGRAM, COMBINED (schematic)  
1270P

CHECKED BY: *B. Best*  
DATE: *07-JUN-99*

APPROVED BY: *[Signature]*  
DATE: *07-JUN-00*

DRAWN: E. MILLER ENGR: E. MILLER  
SIZE: C DRAWING NUMBER: **0055916000** REV: **C**

DATABASE FILE: Z435S.SCH RELEASE DATE: 10-JAN-00 SHEET: 1 OF 2

THIS DOCUMENT CONTAINS INFORMATION OF A PROPRIETARY NATURE TO FENDER MUSICAL INSTRUMENTS AND IS SUBMITTED TO YOU IN CONFIDENCE AND SHALL NOT BE DISCLOSED OR TRANSMITTED TO OTHERS WITHOUT AUTHORIZATION FROM FENDER MUSICAL INSTRUMENTS.

CONDITIONS FOR TPI-TP17:  
1. SINEWAVE INPUT TO J2 (TPI3 VALID FOR INPUT TO J2)  
2. 250mV RMS SINEWAVE INPUT TO J1 (TPI1 AC VALID FOR INPUT TO J1)  
3. CONDITIONS FOR TP22:  
ADJUST A 5kHz SINEWAVE INPUT TO J3 TO VERIFY OUTPUT OF 12.5W RMS AT LESS THAN 0.5% THD+N INTO 8 OHMS  
4. CONDITIONS FOR TP23:  
ADJUST A 5kHz SINEWAVE INPUT TO J3 TO VERIFY OUTPUT OF 90W RMS AT LESS THAN 0.5% THD+N INTO 4 OHMS  
5. THIS SCHEMATIC IS FOR PCB FABRICATION P/N 0055914000 AND PCB ASSEMBLY P/N 0055915000.

CONDITIONS FOR TPI-TP17:  
1. SINEWAVE INPUT TO J2 (TPI3 VALID FOR INPUT TO J2)  
2. 250mV RMS SINEWAVE INPUT TO J1 (TPI1 AC VALID FOR INPUT TO J1)  
3. CONDITIONS FOR TP22:  
ADJUST A 5kHz SINEWAVE INPUT TO J3 TO VERIFY OUTPUT OF 12.5W RMS AT LESS THAN 0.5% THD+N INTO 8 OHMS  
4. CONDITIONS FOR TP23:  
ADJUST A 5kHz SINEWAVE INPUT TO J3 TO VERIFY OUTPUT OF 90W RMS AT LESS THAN 0.5% THD+N INTO 4 OHMS  
5. THIS SCHEMATIC IS FOR PCB FABRICATION P/N 0055914000 AND PCB ASSEMBLY P/N 0055915000.

8. REFERENCE DESIGNATORS NOT USED: R49  
9. LAST REFERENCE DESIGNATORS: C53, D25, F1, J4, L2, P8, Q8, R57, TP23, U4, WJ8  
10. AC AND DC VOLTAGES READ TO GROUND WITH A DVM UNDER THE FOLLOWING CONDITIONS (ALL TEST POINTS):  
UNIT AT RATED LINE VOLTAGE  
PB CONNECTED TO PBA  
8 OHM RESISTIVE LOAD CONNECTED AT WJ4/WJ5  
ALL CONTROLS AT THE 12 O'CLOCK POSITION  
NO INPUT SIGNAL

NOTES: (UNLESS OTHERWISE NOTED)

1. ALL POLARIZED CAPACITORS IN  $\mu$ F, 20K OR BETTER; 50V MINIMUM. (POWER SUPPLY BYPASS CAPACITORS ARE 20K).  
2. ALL UNPOLARIZED CAPACITORS IN  $\mu$ F, 10K OR BETTER; 50V MINIMUM.  
3. ALL RESISTORS IN OHMS, 5K: 1/4W.

POWER TRANSFORMER  
DOMESTIC P/N: 0055867000  
EXPORT P/N: 0055868000

F1 FUSE VALUE  
120V F3A 250V  
230-240V F2A 250V

DOMESTIC POWER ON/OFF SWITCH  
UP 2 3 5 6  
REAR VIEW  
P/N 0025935000

EXPORT POWER ON/OFF SWITCH  
UP 1 2  
REAR VIEW  
P/N 0039287000

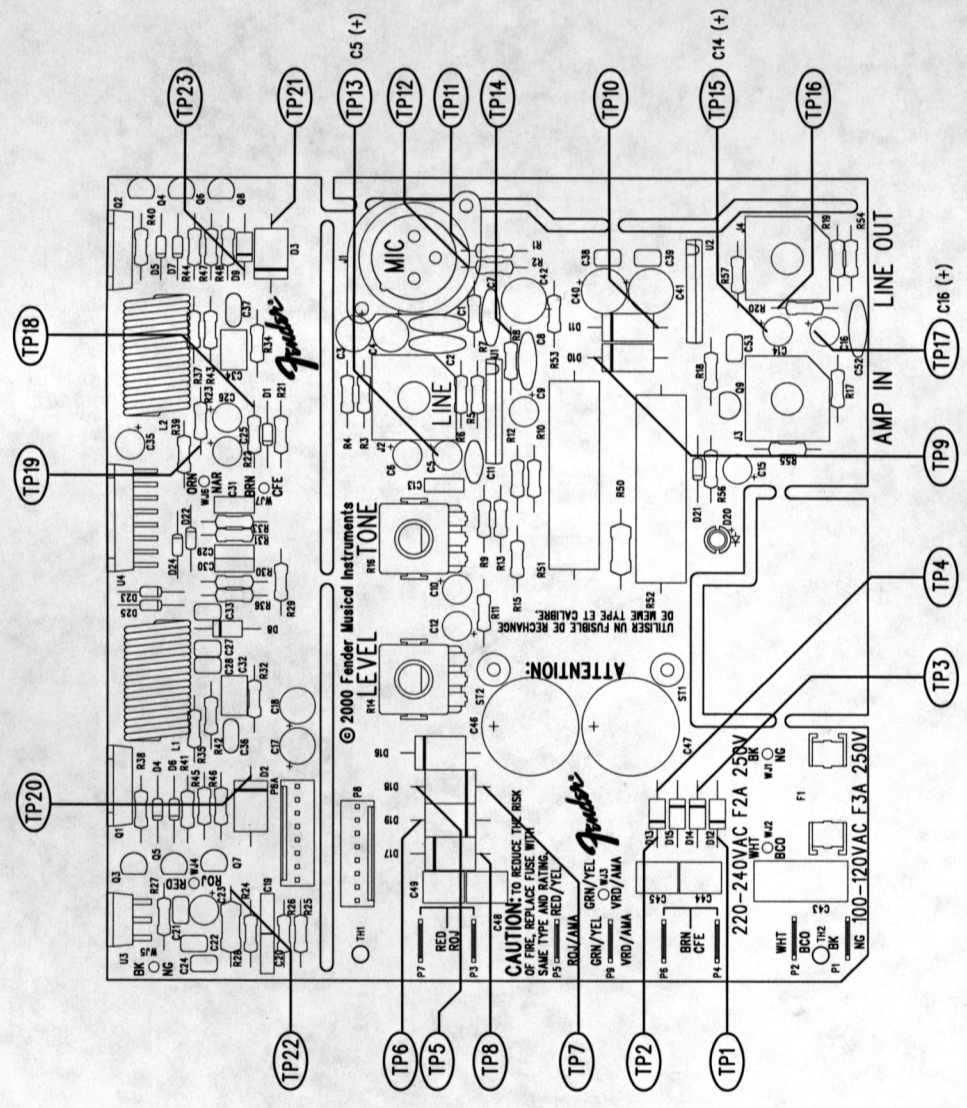
POWER SWITCH  
BLK 6/(2) 5/(1)  
DOMESTIC/(EXPORT)  
WHT



1 2 3 4 5 6 7 8

D C B A

REVISIONS			
REV.	DESCRIPTION	DATE	APPROVED
A	PR 435	10-JAN-00	E M M
B	EC 2482	20-APR-00	E M M
C	EC 2502	06-JUN-00	E M M



FILM/DWG: SERVICE DIAGRAM  
 DATABASE: Z435P.PCB DATE: 07-JUN-00

THIS DOCUMENT CONTAINS INFORMATION OF A PROPRIETARY NATURE TO FENDER MUSICAL INSTRUMENTS AND IS SUBMITTED TO YOU IN CONFIDENCE AND SHALL NOT BE DISCLOSED OR TRANSMITTED TO OTHERS WITHOUT AUTHORIZATION FROM FENDER MUSICAL INSTRUMENTS.

CHECKED BY: *[Signature]*  
 DATE: 07-JUN-00

APPROVED BY: *[Signature]*  
 DATE: 07-JUN-00

DRAWN: E. MILLER ENGR: E. MILLER  
 DATABASE FILE: Z435P.PCB

MUSICAL INSTRUMENTS  
 Corona, CA U.S.A.

TITLE: SERVICE DIAGRAM, COMBINED (PCB assy)  
 1270P

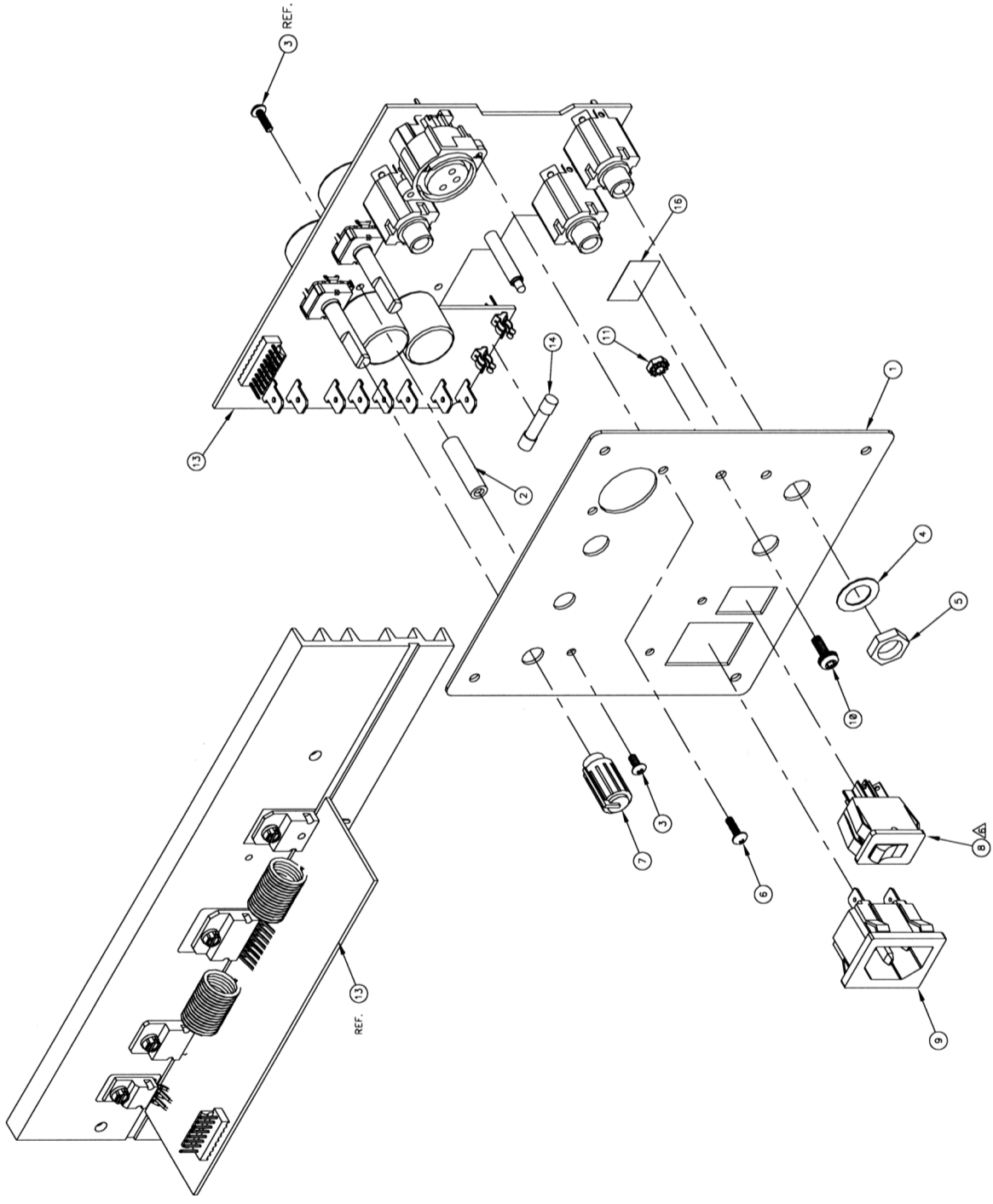
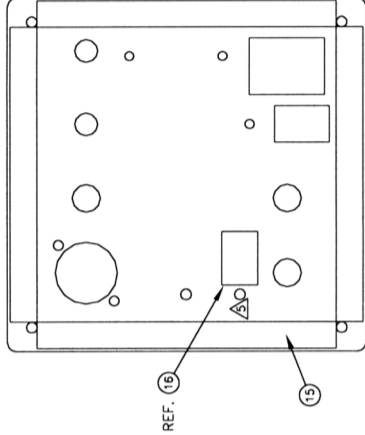
SIZE: C DRAWING NUMBER: 0055916000 REV: C  
 RELEASE DATE: 10-JAN-00 SHEET 2 OF 2

2. PB CONNECTED TO P8A.  
 1. SEE SHEET 1 FOR TEST CONDITIONS AND TEST POINT VALUES.  
 NOTES: (UNLESS OTHERWISE NOTED)

1 2 3 4 5 6 7 8

D C B A

REV	IC NUMBER	BY	DATE
A	PR 435	CHC	7/10/2000
B	EC 2482 - REMOVE NOTE 5 THRU 16.	BW	5/16/2000
C	EC 2502 - CHC DON'T P/N FOR FUSE	BW	5/22/2000



- ▲ SEE SERVICE DIAGRAM P/N 0055916000 FOR SWITCH ORIENTATION.
  - ▲ CONNECT IEC GROUND TO LOWER GROUND SCREW.
  - 4. COPYRIGHT - 2000 - FENDER MUSICAL INSTRUMENTS CORP.
  - 3. - 3 - SAMPLES OF FIRST PARTS MUST BE APPROVED BY FENDER R&D BEFORE STARTING PRODUCTION.
  - 2. ALL DIMENSIONS ARE IN INCHES.
  - 1. DO NOT SCALE DRAWING.
- NOTES: UNLESS OTHERWISE NOTED

(N.S.) = NOT SHOWN

16	1	0013020000	LABEL GROUNDING SEMKO
15	1.3 FT	0055875000	TAPE POLYURETHANE 3/8X3/16THK
14	1	SEE MATRIX	FUSE
13	1	0055915000	PCB ASSY 1270P
12	1	0055920000	WIRESET CHASSIS 1270P (N.S.)
11	2	0059393000	NUT 6-32 HEX EXT LOCK
10	2	9904101500	SCRW M 6-32X3/8 PHPS BLX ILLW
9	1	0054642000	CONNECTOR IEC SNAP IN
8	1	SEE MATRIX	SWITCH
7	2	0041836000	KNOB CTL DBL GRY/BLACK
6	2	0051155000	SCRW SMB #4X3/8 PHP BLX
5	3	0016352000	NUT HEX 3/8-32X3/32 TK NI
4	3	0031153000	WSHR FLAT 3/8X.614 NI
3	4	0014172000	SCREW M 4-40X1/4 PHP BLX
2	2	0040533000	STANDOFF 4-40X.937
1	1	0055919000	PLATE INPUT 1270P

ENGINEER MILLER  
 DRAWN GOOLER  
 DATE 12/20/99

TITLE CHASSIS ASSEMBLY 1270P

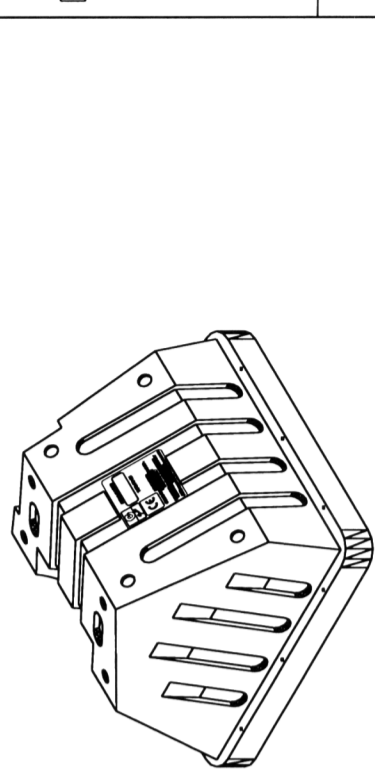
FENDER  
 FENDER MUSICAL INSTRUMENTS CORP.  
 CORONA, CALIFORNIA U.S.A.

SHEET 1/1  
 SCALE N/A  
 DRAWING NUMBER 0056370000  
 REV. C

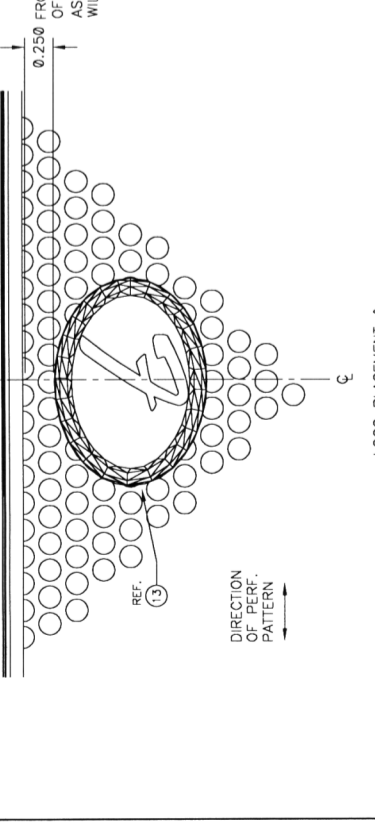
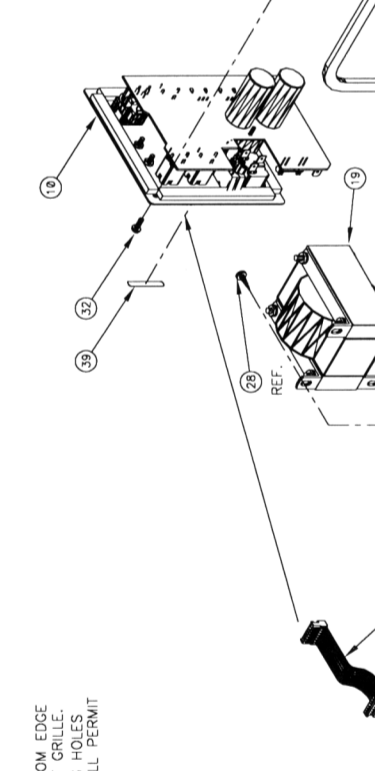
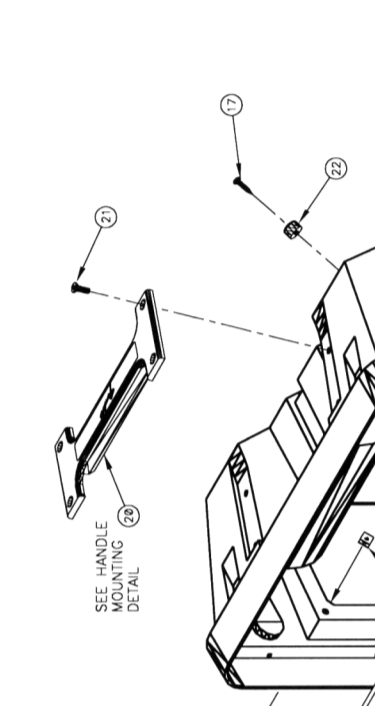
1	0048386000	0020794000
2	0025935000	0039287000
3	1270P	1270P
4	230V/240V	230V/240V
5	0056370000	0056371000

THIS DOCUMENT CONTAINS INFORMATION OF A PROPRIETARY NATURE TO FENDER MUSICAL INSTRUMENTS CORP. IT IS TO BE KEPT CONFIDENTIAL AND NOT BE DISCLOSED OR TRANSMITTED TO OTHERS WITHOUT AUTHORIZATION FROM FENDER MUSICAL INSTRUMENTS CORP.

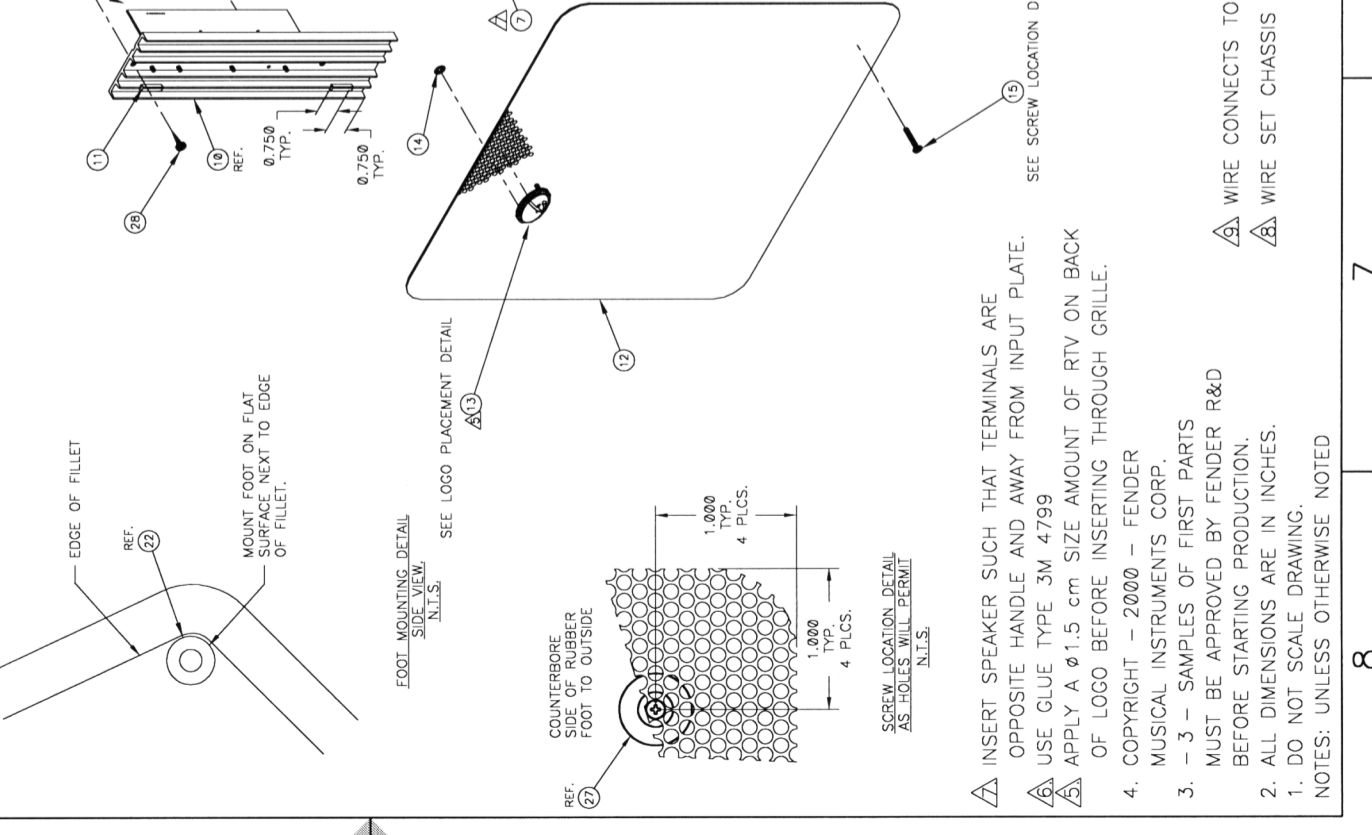
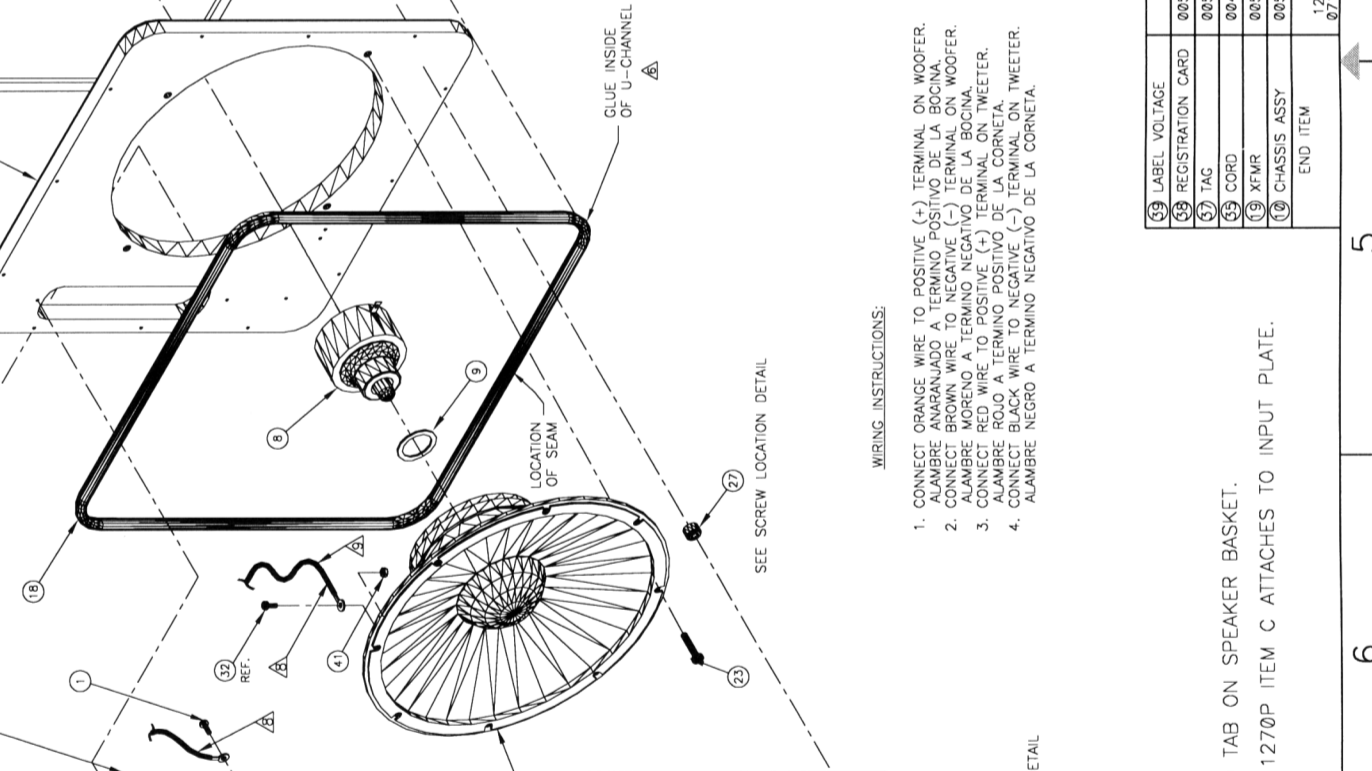
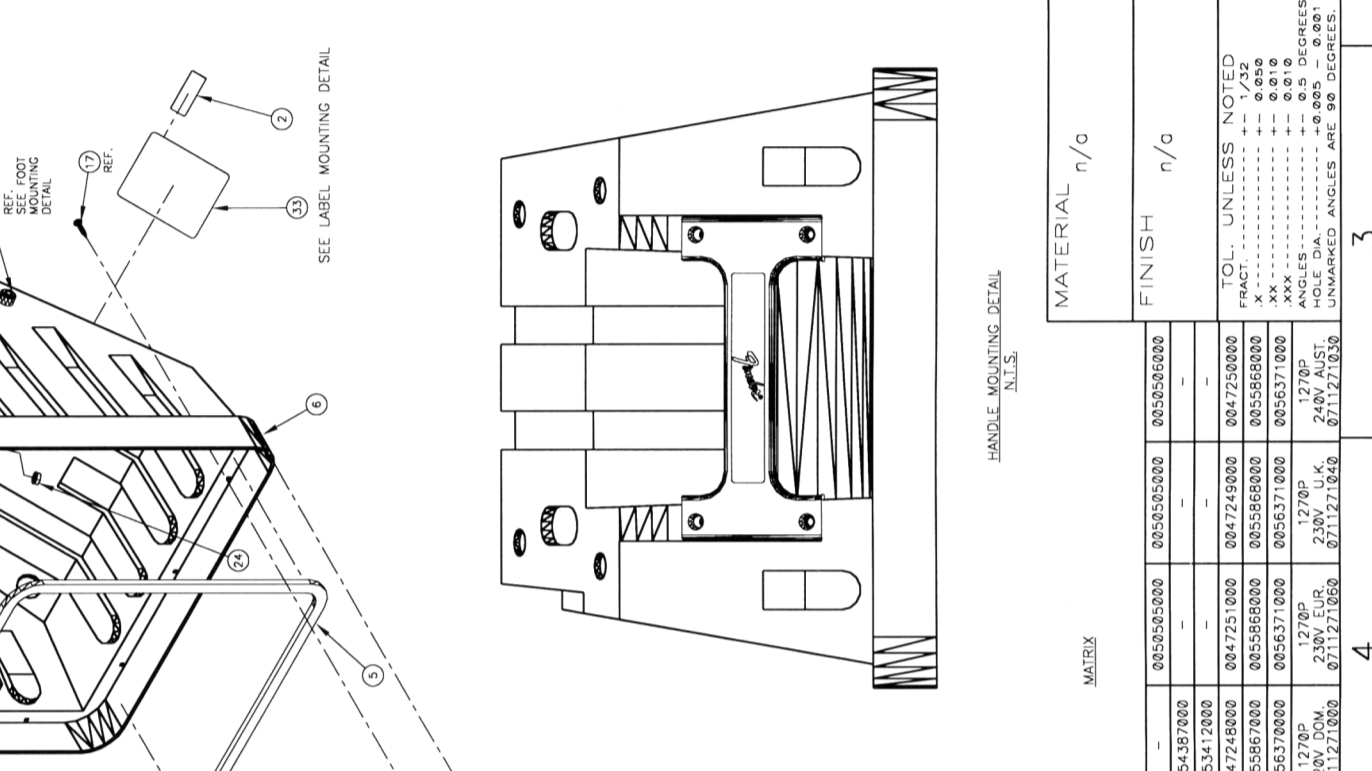
REV	DESCRIPTION	DATE
A	PR 435	1/10/2000
B	SC 2482 - ADD NUTS #9 THRU 42, BW	5/15/2000
C	SC 2502 - DEL POLY DAMPING, ADD RUBBER EXTR.	6/22/2000



41 1 0059393000 NUT 6-32 HEX EXT LOCK  
 40 1 0053454000 STICKER BUMPER FEND SINCE 1946 (N.S.)  
 39 1 SEE MATRIX LABEL VOLTAGE  
 38 1 SEE MATRIX REGISTRATION CARD (N.S.)  
 37 1 SEE MATRIX TAG (N.S.)  
 36 1 9903311400 BAG JIFFY #1 7-1/4x12 (N.S.)  
 35 1 SEE MATRIX CORD (N.S.)  
 34 1 0055874000 INSERT CORRUGATED (N.S.)  
 33 1 0055818000 LABEL SAFETY 1270P  
 32 5 9904101500 SCRW M 6-32x3/8 PHPS BLX ILW  
 31 4 0055912000 CLIP 6-32 U FASTNER  
 30 1 0049018000 CABLE RIBBON 8 CKT 8" DUAL HDR  
 29 1 0055916000 SVC DIAGRAM COMB 1270P (N.S.)  
 28 5 9904101110 SCREW PB 8x5/8 PHP BLX  
 27 4 0055734000 RUBBER FOOT 3/4" DIA.  
 26 1 9903320000 BAG POLY ZIP 10x13 2M (N.S.)  
 25 1 0055913000 MANUAL OWNERS 1270P (N.S.)  
 24 4 0022004000 NUT KEPS #8-32 ZINC  
 23 4 0026577000 SCRW M 10-32x1 PHP BLX  
 22 9 0055748000 RUBBER FOOT 1/2" DIA.  
 21 4 0055733000 SCRW M 8-32x1/2 OHP BLX  
 20 1 0055746000 BAR HANDLE PLASTIC  
 19 1 SEE MATRIX XFMR  
 18 1 0055722000 U-CHANNEL RUBBER  
 17 21 0024052000 SCRW SMA 6-x5/8 PHP BLX  
 16 1 0055908000 BAFFLEBOARD ASSY 1270P  
 15 4 0029677000 SCRW SMA 6x1 THP BLX  
 14 2 0055732000 PUSH NUT 1/8" POST  
 13 1 0055744000 LOGO ELLIPTICAL RED  
 12 1 0055618000 GRILLE 1270 MONITOR  
 11 0.125" 0057067000 RUBBER EXTRUSION SILICONE BLACK  
 10 1 SEE MATRIX CHASSIS ASSY  
 9 1 0055742000 GASKET HORN THROAT  
 8 1 0055741000 DRIVER HORN PIEZO  
 7 1 0055911000 SPKR 10" 4 OHM COAXIAL  
 6 1 0056514000 CABINET 1270P  
 5 4.2FT 0055875000 TAPE POLYURETHANE 3/8X3/16THK  
 4 1 0055739000 CARTON 1270 MONITOR (N.S.)  
 3 1 0055738000 BAG POLY 24x24 .002 (N.S.)  
 2 1 0029816000 LABEL SERIAL MEXICO  
 1 1 0056970000 SCRW 4-40x3/8 HHWS BLX .1" HD



41	1	0059393000	NUT 6-32 HEX EXT LOCK
40	1	0053454000	STICKER BUMPER FEND SINCE 1946 (N.S.)
39	1	SEE MATRIX	LABEL VOLTAGE
38	1	SEE MATRIX	REGISTRATION CARD (N.S.)
37	1	SEE MATRIX	TAG (N.S.)
36	1	9903311400	BAG JIFFY #1 7-1/4x12 (N.S.)
35	1	SEE MATRIX	CORD (N.S.)
34	1	0055874000	INSERT CORRUGATED (N.S.)
33	1	0055818000	LABEL SAFETY 1270P
32	5	9904101500	SCRW M 6-32x3/8 PHPS BLX ILW
31	4	0055912000	CLIP 6-32 U FASTNER
30	1	0049018000	CABLE RIBBON 8 CKT 8" DUAL HDR
29	1	0055916000	SVC DIAGRAM COMB 1270P (N.S.)
28	5	9904101110	SCREW PB 8x5/8 PHP BLX
27	4	0055734000	RUBBER FOOT 3/4" DIA.
26	1	9903320000	BAG POLY ZIP 10x13 2M (N.S.)
25	1	0055913000	MANUAL OWNERS 1270P (N.S.)
24	4	0022004000	NUT KEPS #8-32 ZINC
23	4	0026577000	SCRW M 10-32x1 PHP BLX
22	9	0055748000	RUBBER FOOT 1/2" DIA.
21	4	0055733000	SCRW M 8-32x1/2 OHP BLX
20	1	0055746000	BAR HANDLE PLASTIC
19	1	SEE MATRIX	XFMR
18	1	0055722000	U-CHANNEL RUBBER
17	21	0024052000	SCRW SMA 6-x5/8 PHP BLX
16	1	0055908000	BAFFLEBOARD ASSY 1270P
15	4	0029677000	SCRW SMA 6x1 THP BLX
14	2	0055732000	PUSH NUT 1/8" POST
13	1	0055744000	LOGO ELLIPTICAL RED
12	1	0055618000	GRILLE 1270 MONITOR
11	0.125"	0057067000	RUBBER EXTRUSION SILICONE BLACK
10	1	SEE MATRIX	CHASSIS ASSY
9	1	0055742000	GASKET HORN THROAT
8	1	0055741000	DRIVER HORN PIEZO
7	1	0055911000	SPKR 10" 4 OHM COAXIAL
6	1	0056514000	CABINET 1270P
5	4.2FT	0055875000	TAPE POLYURETHANE 3/8X3/16THK
4	1	0055739000	CARTON 1270 MONITOR (N.S.)
3	1	0055738000	BAG POLY 24x24 .002 (N.S.)
2	1	0029816000	LABEL SERIAL MEXICO
1	1	0056970000	SCRW 4-40x3/8 HHWS BLX .1" HD



ENGINEER	MILLER
DRAWN	GOOLER
DATE	12/27/99
BY	GOOLER
CHECKED	GOOLER
DATE	12/27/99
APPROVED	GOOLER
DATE	12/27/99
SCALE	N/A
DRAWING NUMBER	0711271000
REV.	C

TITLE	END ITEM, ASSEMBLY
SHEET	1/1
SCALE	N/A
DRAWING NUMBER	0711271000
REV.	C

MATERIAL	n/a
FINISH	n/a
0050505000	0050505000
0054387000	0054387000
0053412000	0053412000
0047251000	0047251000
0055868000	0055868000
0056371000	0056371000
1270P	1270P
230V EUR	230V U.K.
0711271000	0711271000

1. INSERT SPEAKER SUCH THAT TERMINALS ARE OPPOSITE HANDLE AND AWAY FROM INPUT PLATE.
2. USE GLUE TYPE 3M 4799
3. APPLY A 0.15 cm SIZE AMOUNT OF RTV ON BACK OF LOGO BEFORE INSERTING THROUGH GRILLE.
4. COPYRIGHT - 2000 - FENDER MUSICAL INSTRUMENTS CORP.
3. - 3 - SAMPLES OF FIRST PARTS MUST BE APPROVED BY FENDER R&D BEFORE STARTING PRODUCTION.
2. ALL DIMENSIONS ARE IN INCHES.
1. DO NOT SCALE DRAWING.
- NOTES: UNLESS OTHERWISE NOTED