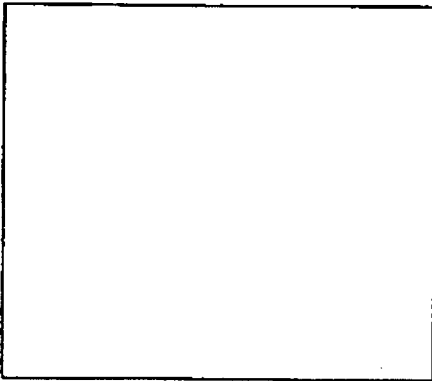
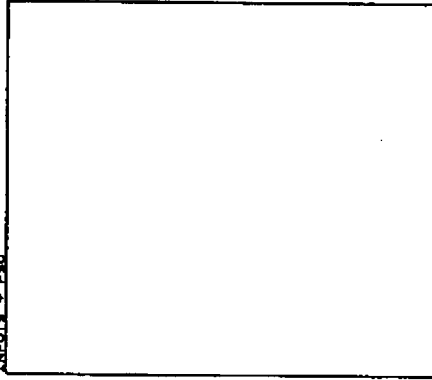


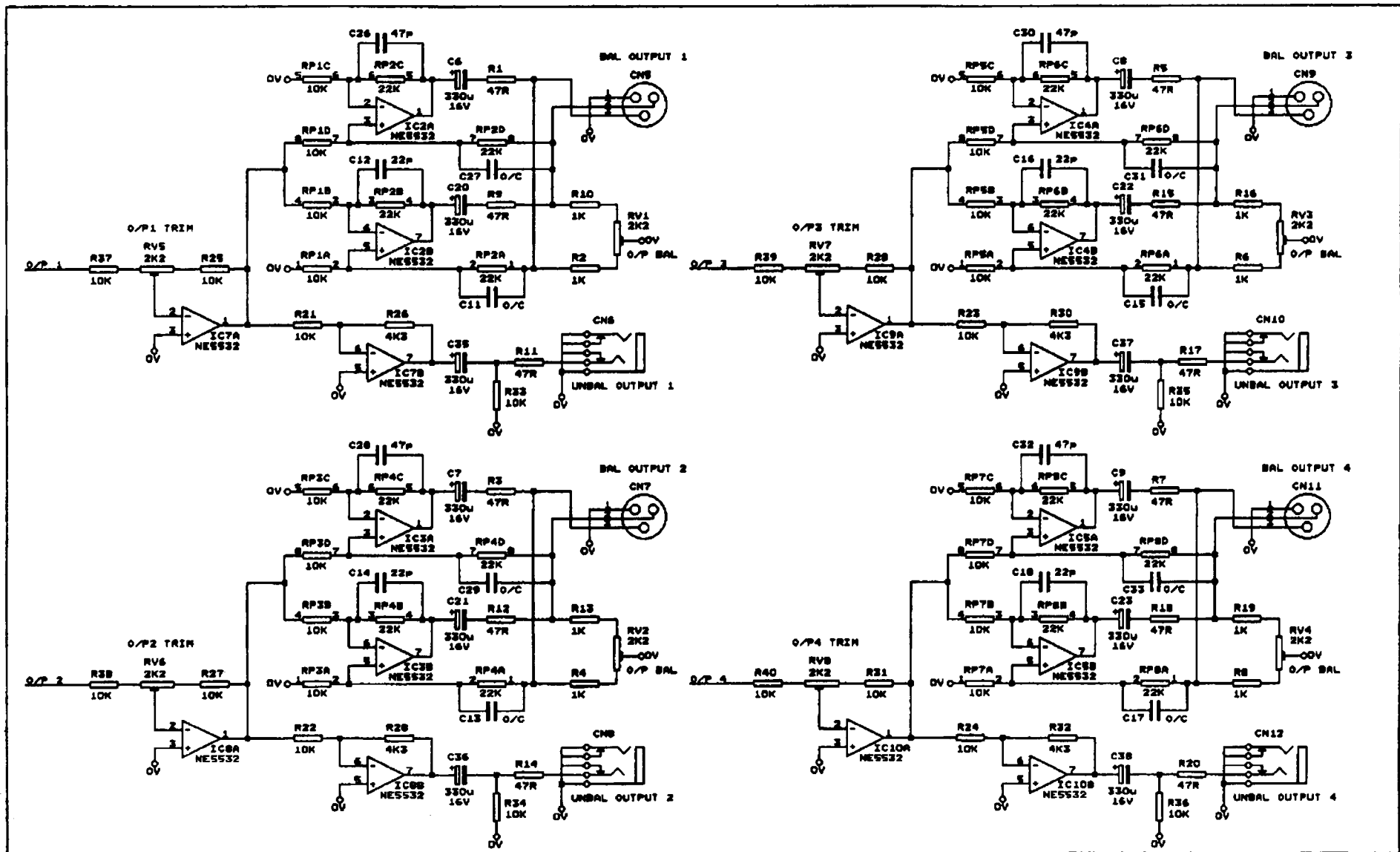
OUTPUTS



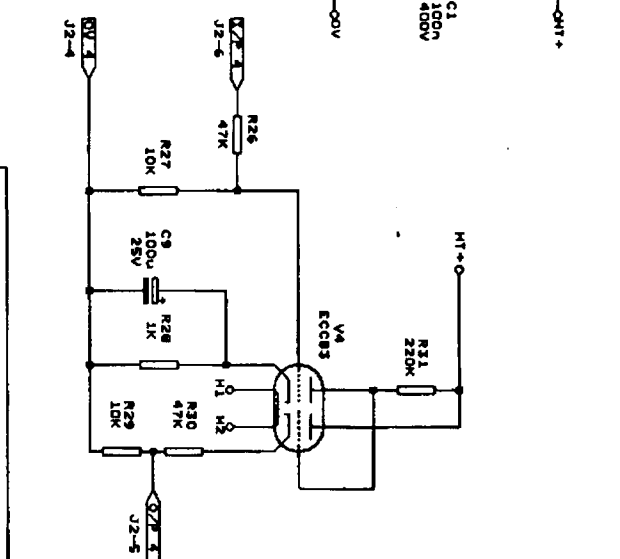
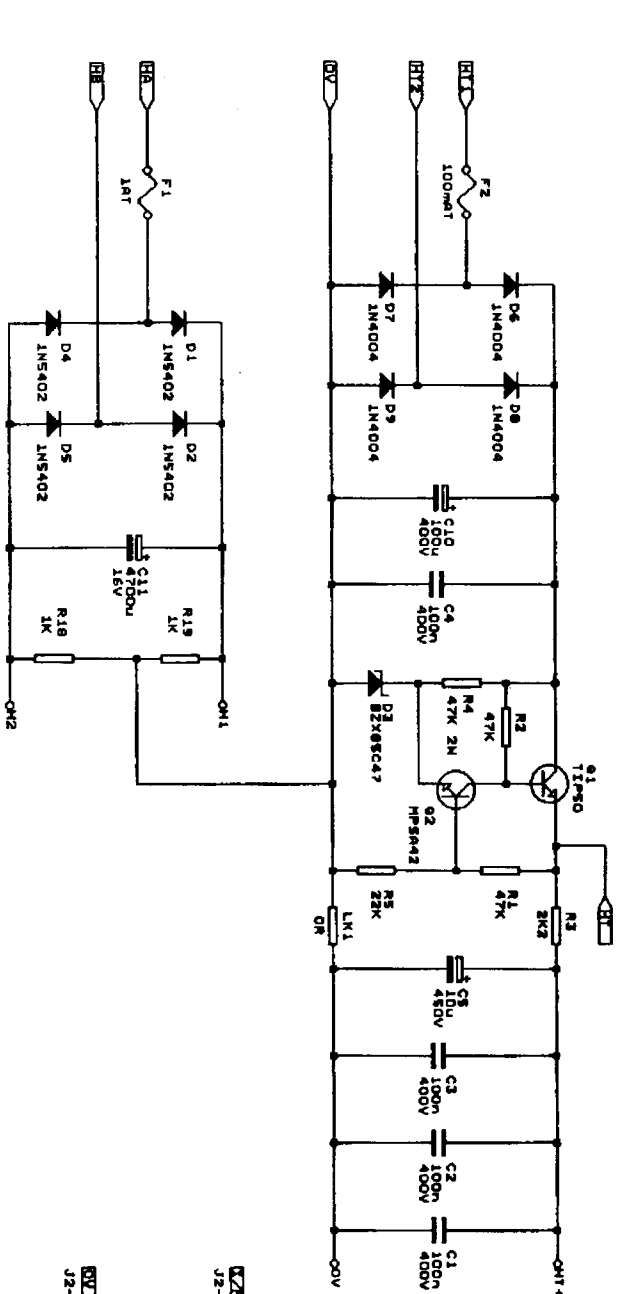
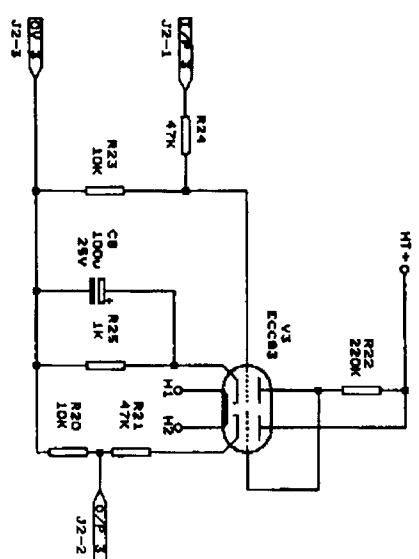
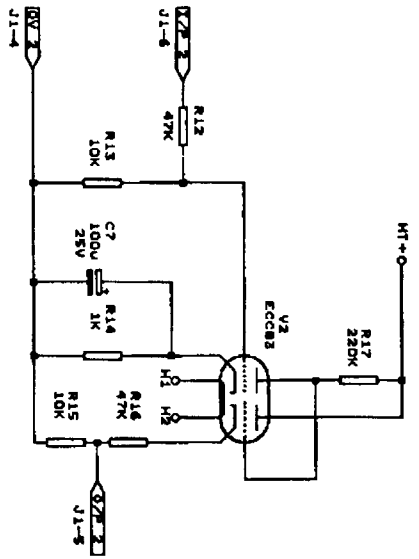
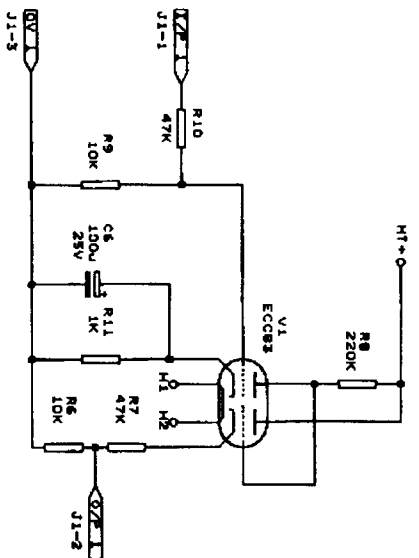
RESULTS + PSU



TL Audio	
COPYRIGHT 1996	
Title	2001/3001 I/O PCB
Size Document Number	CD128
REV	1
Date	FEBRUARY 11, 1996 Sheet 1 of 3

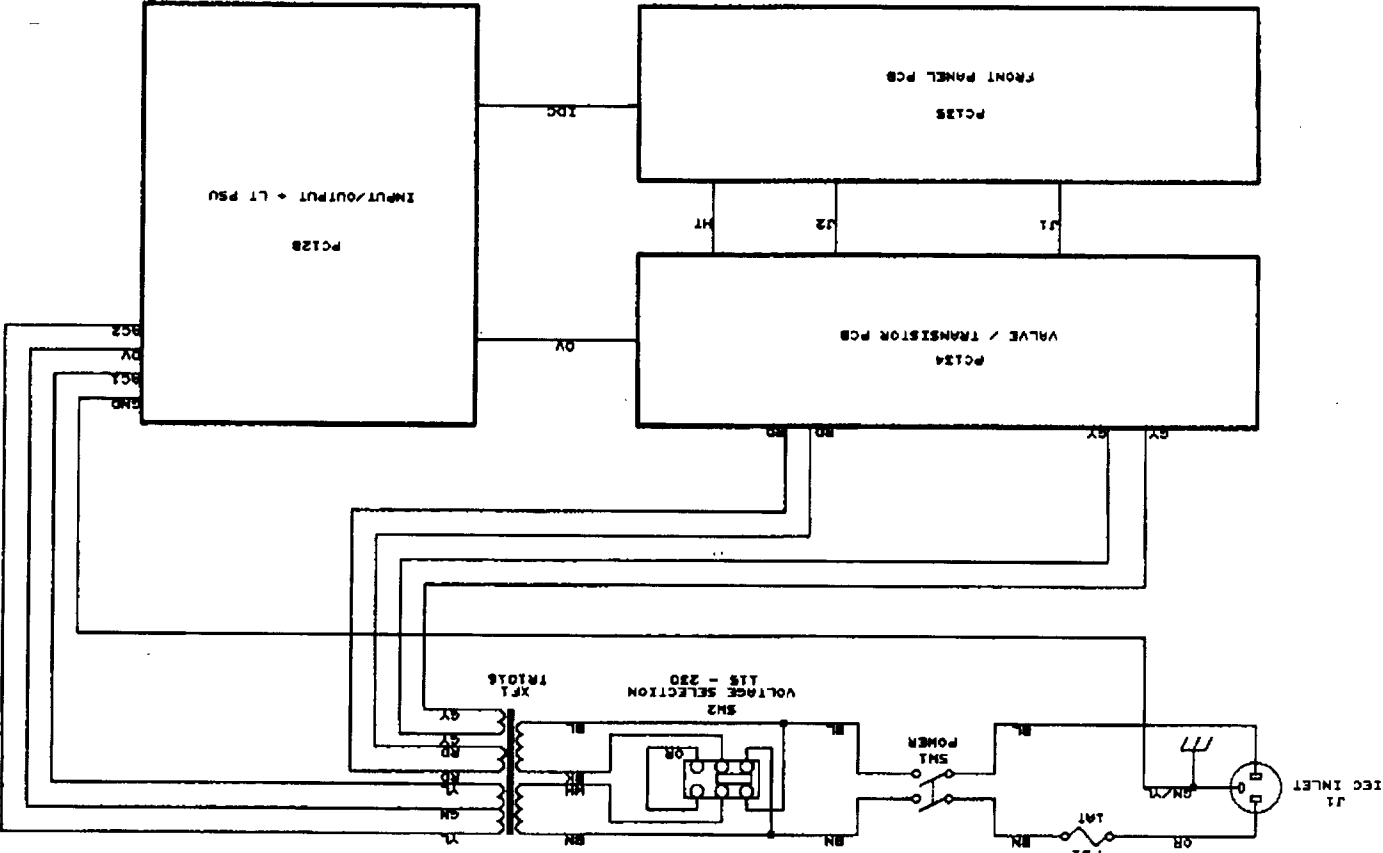


TL Audio	
COPYRIGHT 1995	
Title IN-PA2 I/O PCB	
Size Document Number	REV
B CD1128	1
Date: February 11, 1995	Sheet 2 of 3

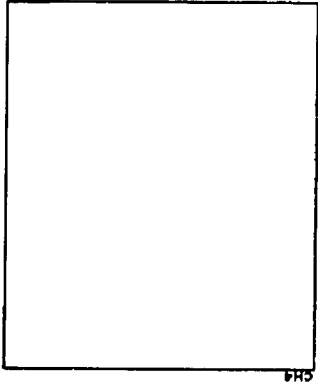
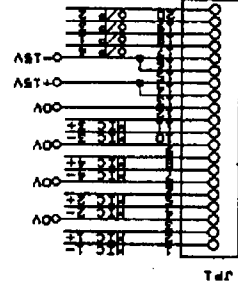
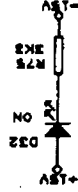
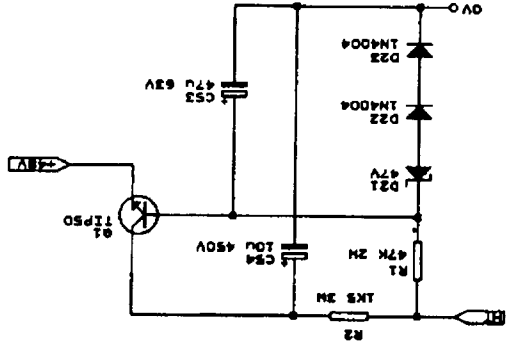


TITLE TL Audio
 INDICO SERIES VALVE BUFFER
 DATE: FEBRUARY 11, 1955 SHEET 1 OF 1

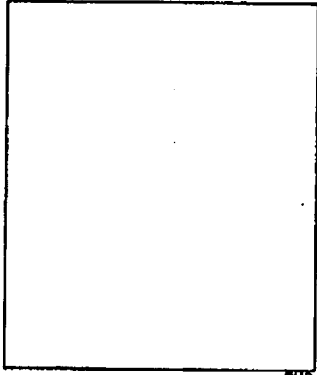
Title: TL Audio
 Copyright: 1996
 Size Document Number: PA 2001 INDIGO PRE-AMPLIFIER
 REV: 1
 B: CD1142
 Date: March 15, 1996 Sheet 1 of 1



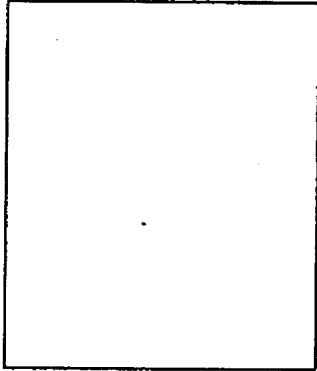
T. L. Audio
 COPYRIGHT 1995
 P42001 MIC PRE-AMP
 Revision 1
 Date: March 25, 1995
 5



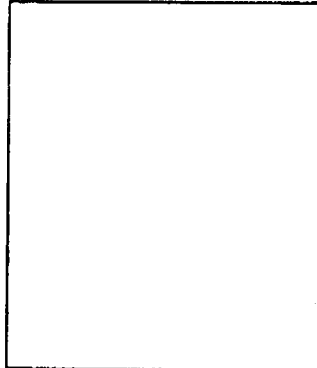
CH4



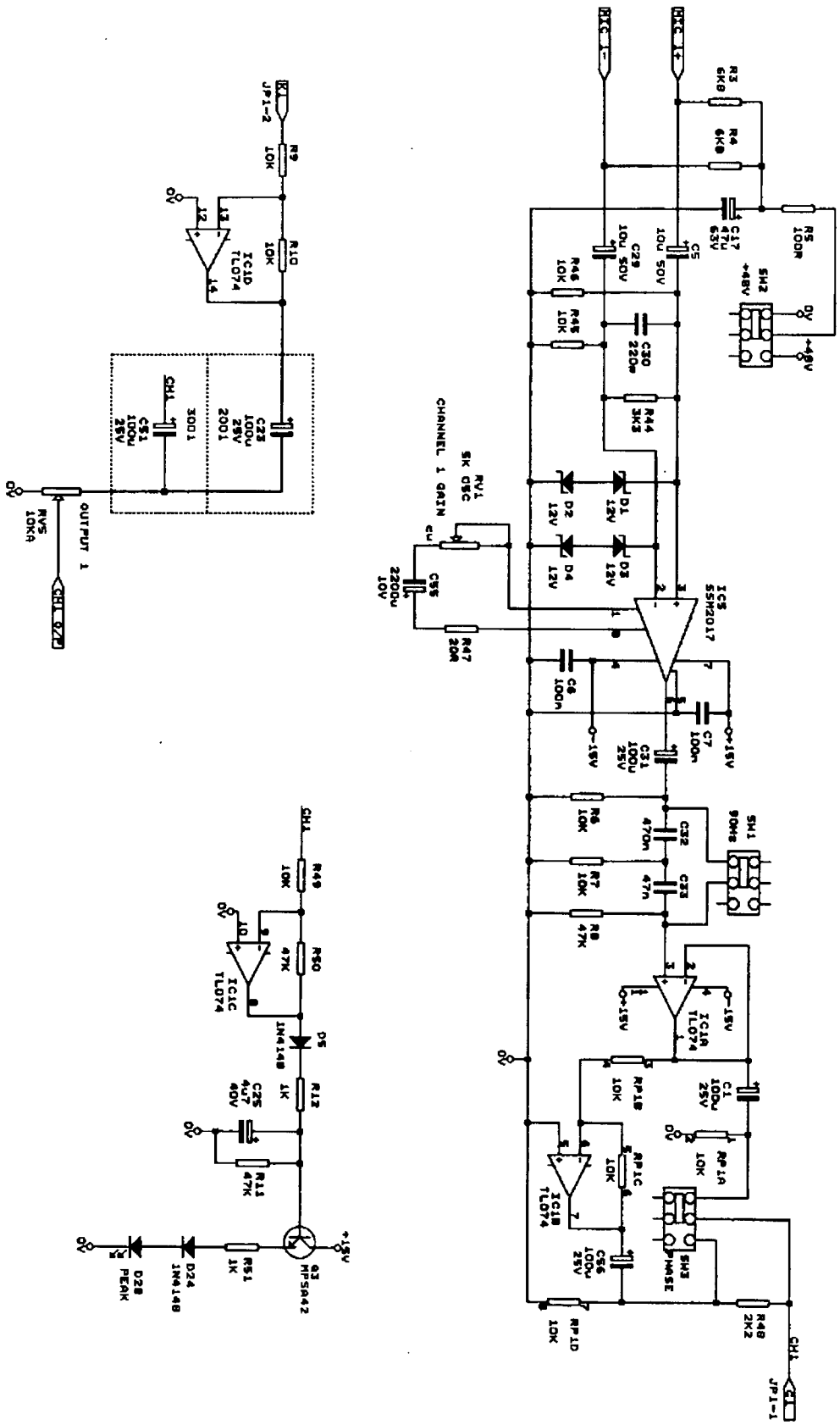
CH3

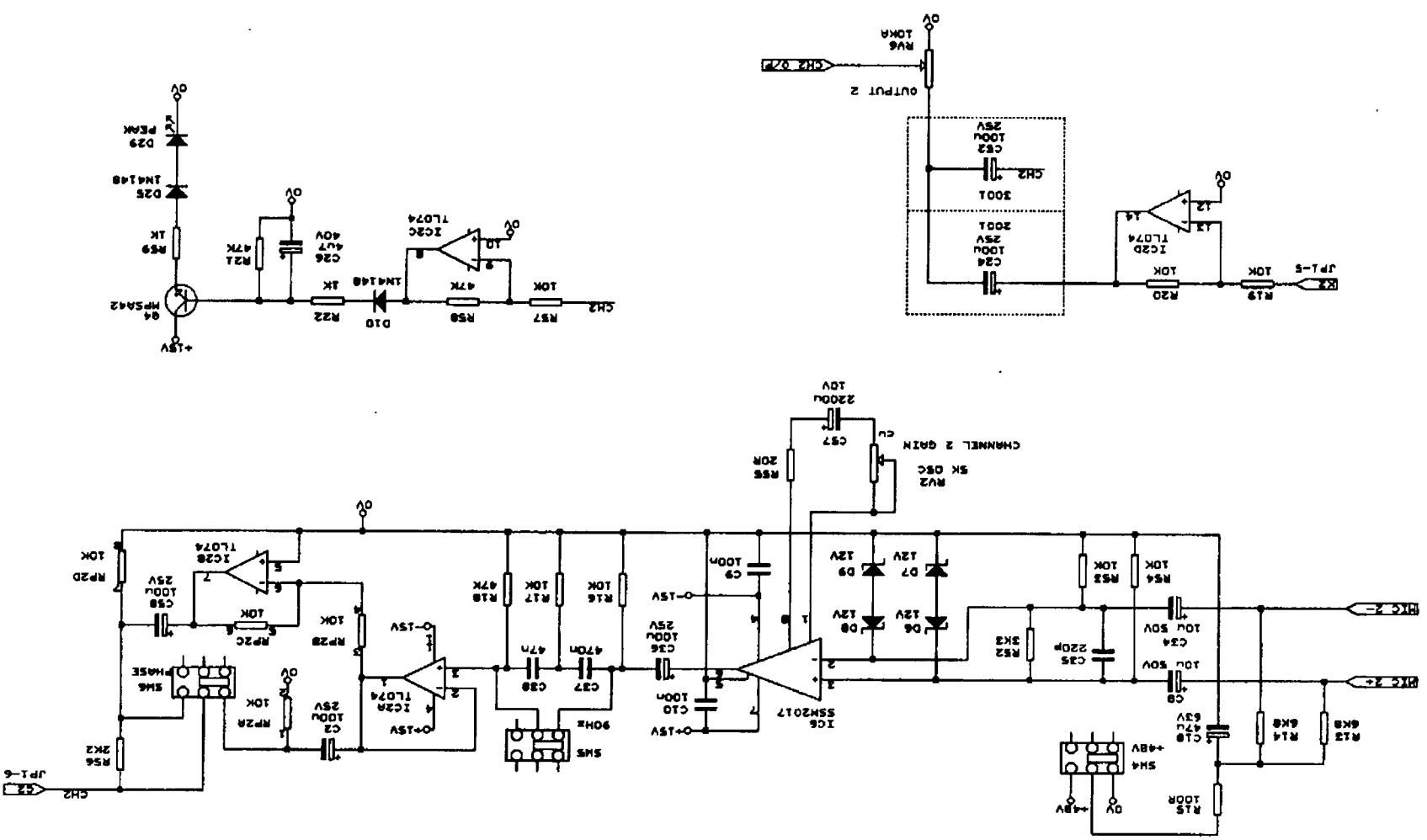


CH2

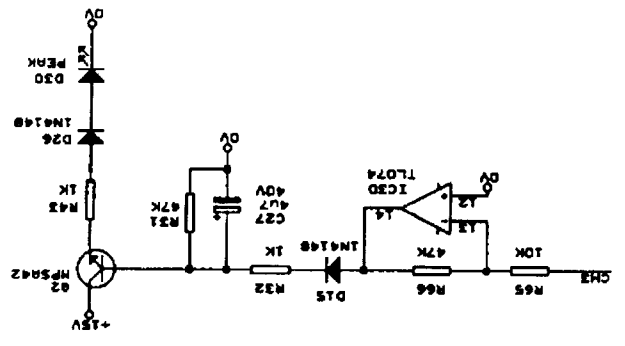
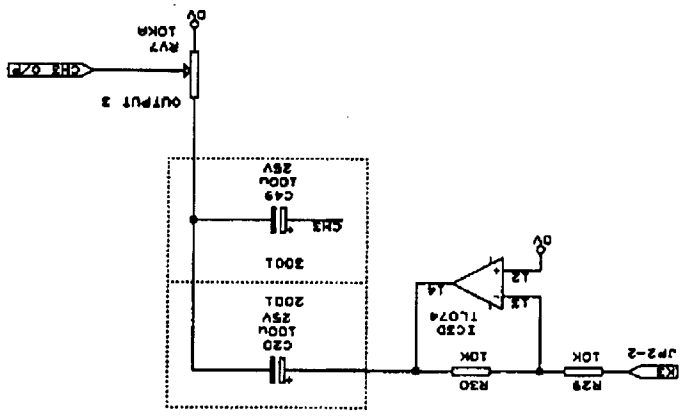
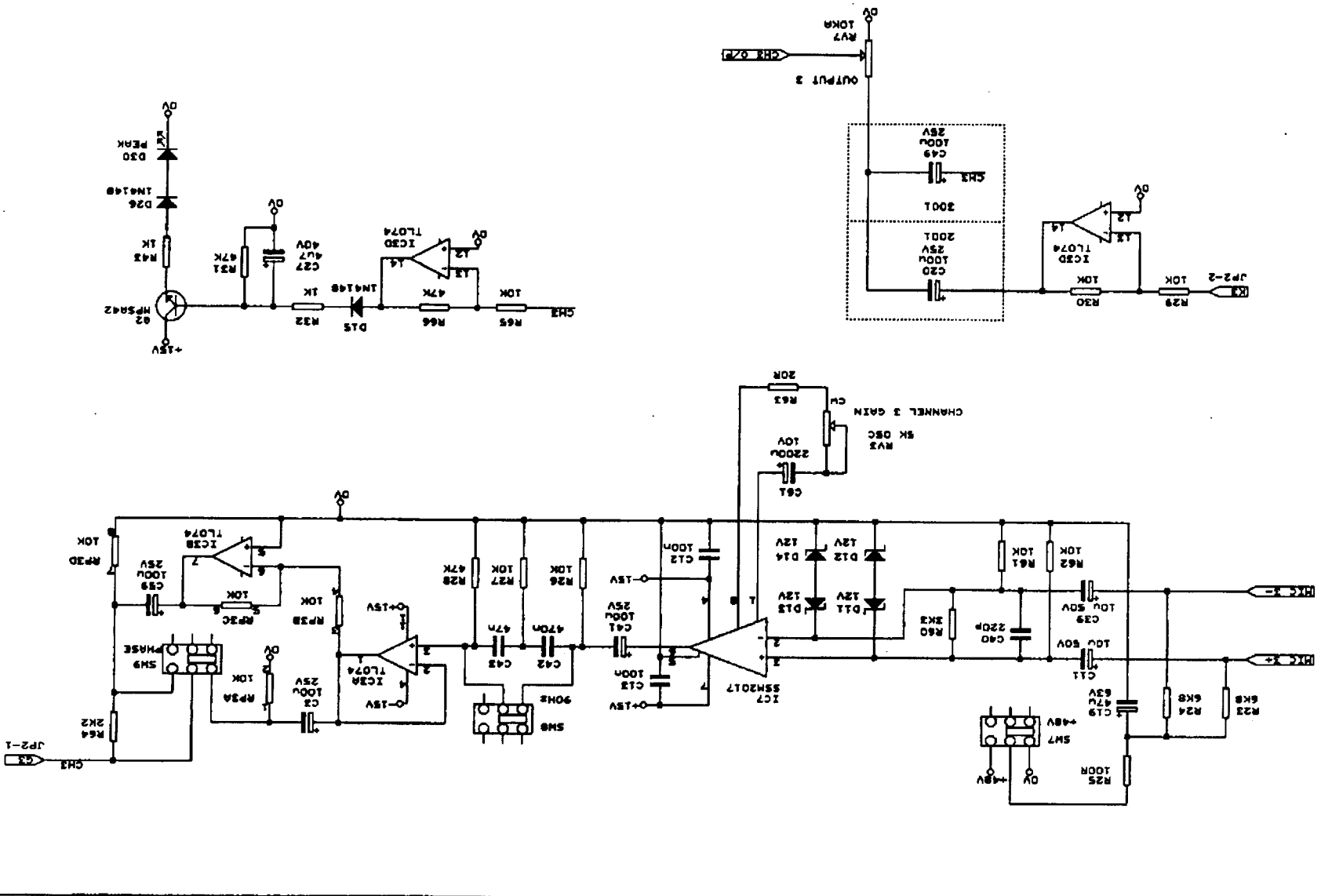


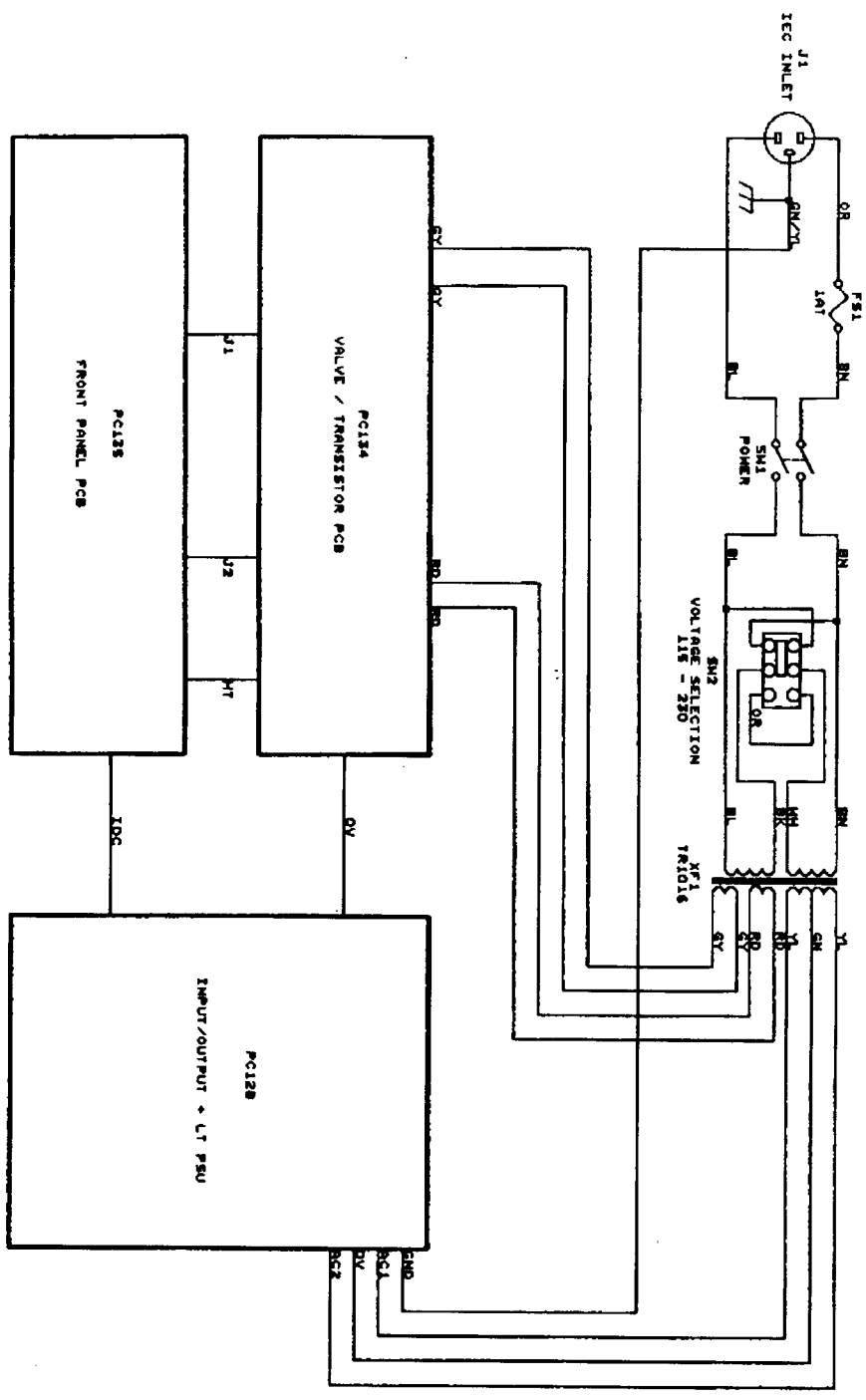
CH1





TITLE
 P2201 MIC PRE-AMP
 REV
 1
 8
 CD1135
 5
 DATE: March 15, 1986
 1 L AUDIO
 COPYRIGHT 1985





IL Audio	
Copyright 1996	
Title	PA 2001 INDIGO PRE-AMPLIFIER
Size Document Number	CD1142
REV	1
Date:	March 15, 1995 Sheet 1 of 1