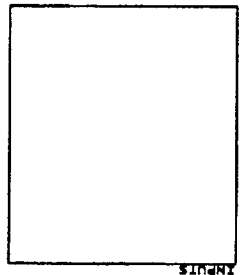
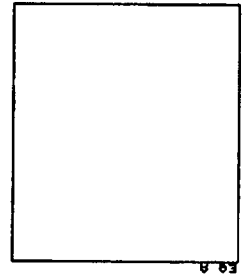
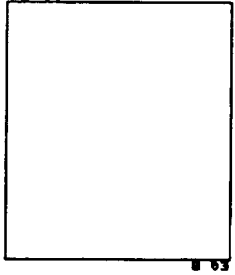
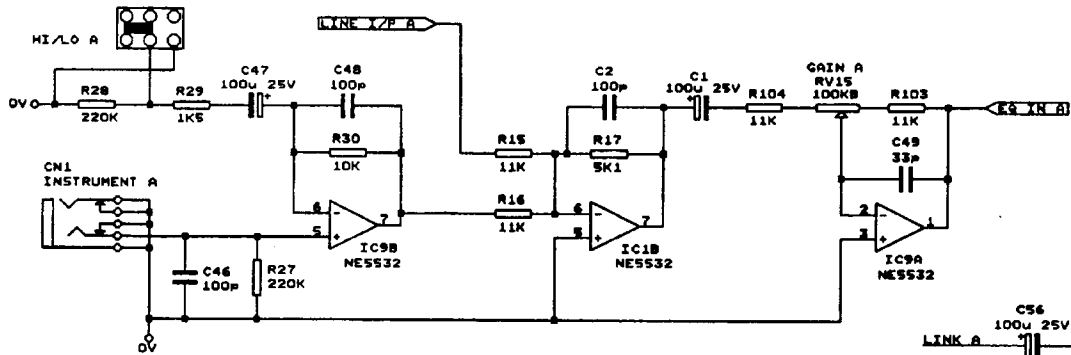


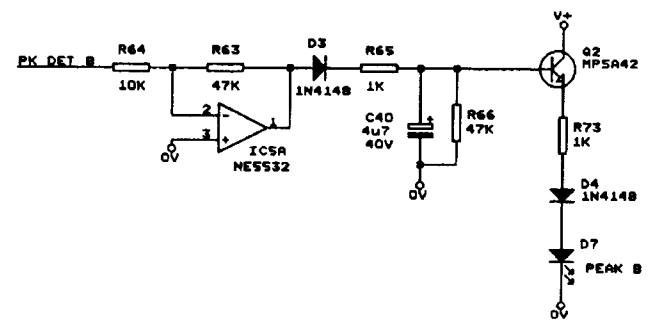
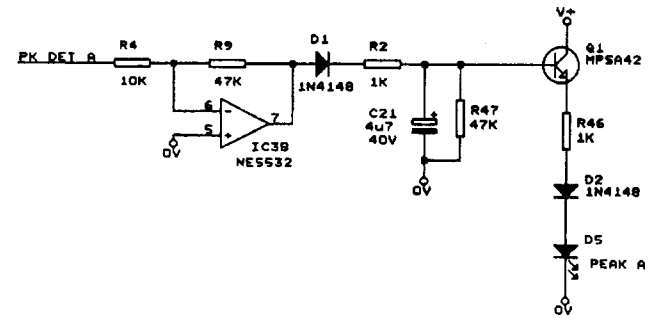
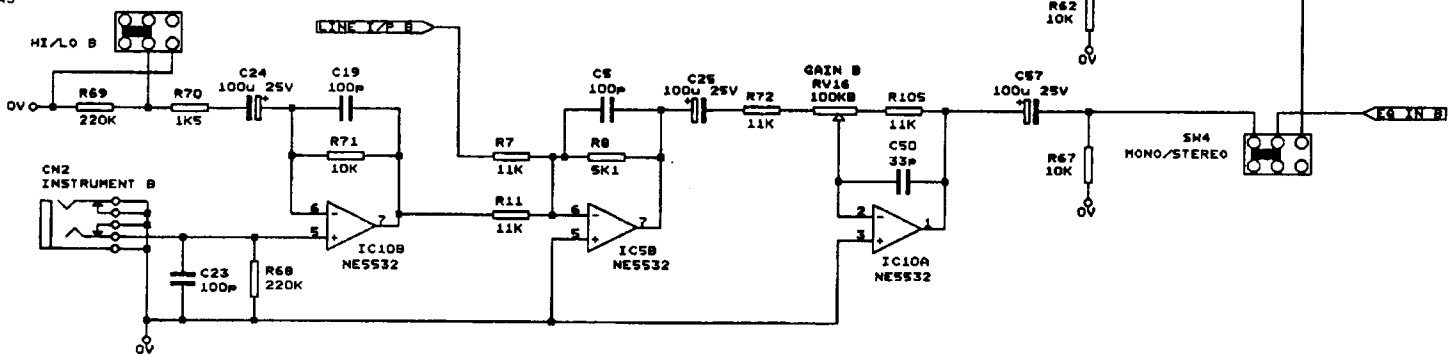
TL Audio  
COPYRIGHT 1996  
TITLE  
2012/2012 PARAMETRIC EQUALISER  
REV  
Size Document Number  
8 CD1137  
1  
Date: February 11, 1996 Sheet 1 of 4



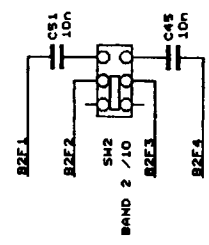
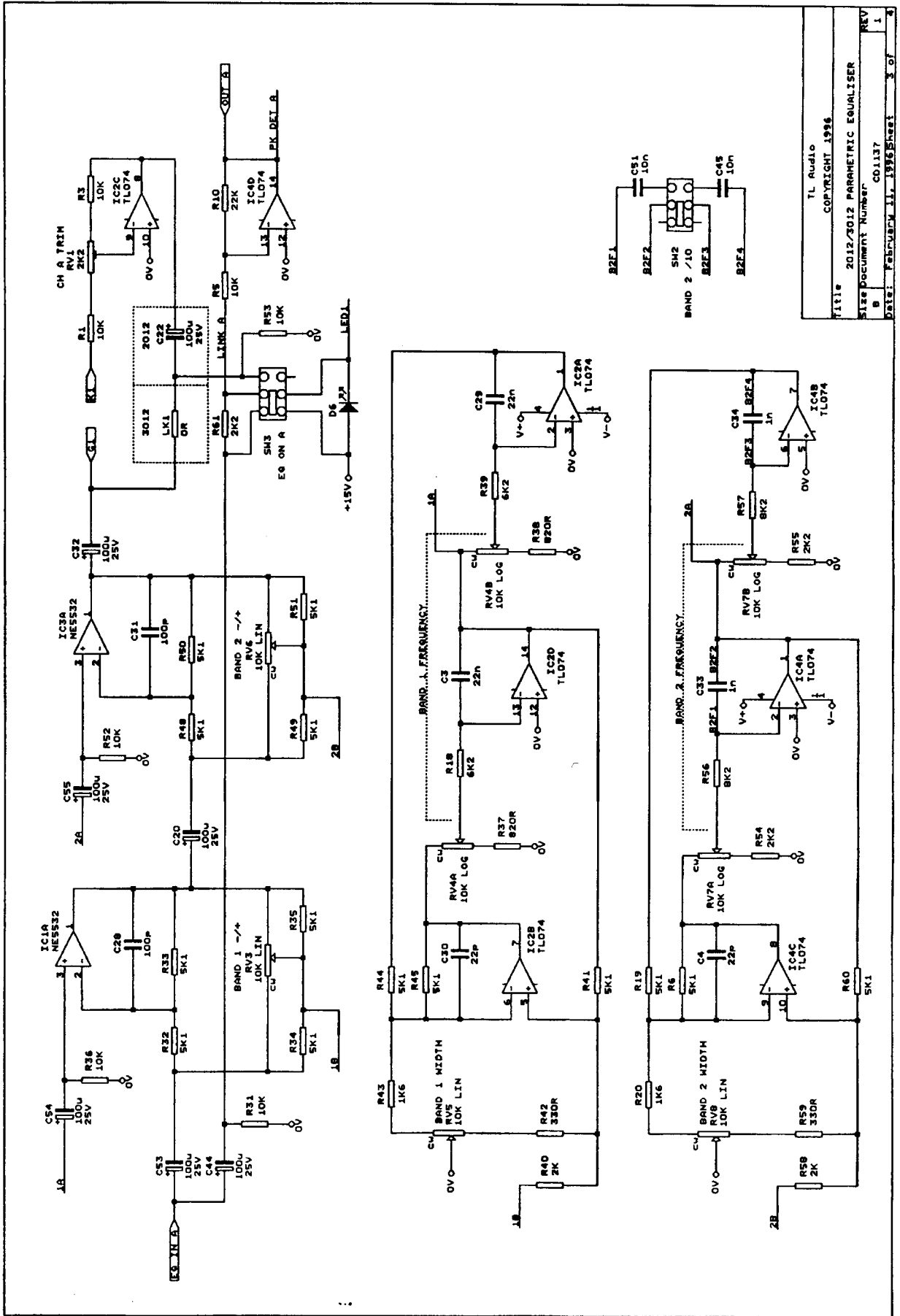
SW7



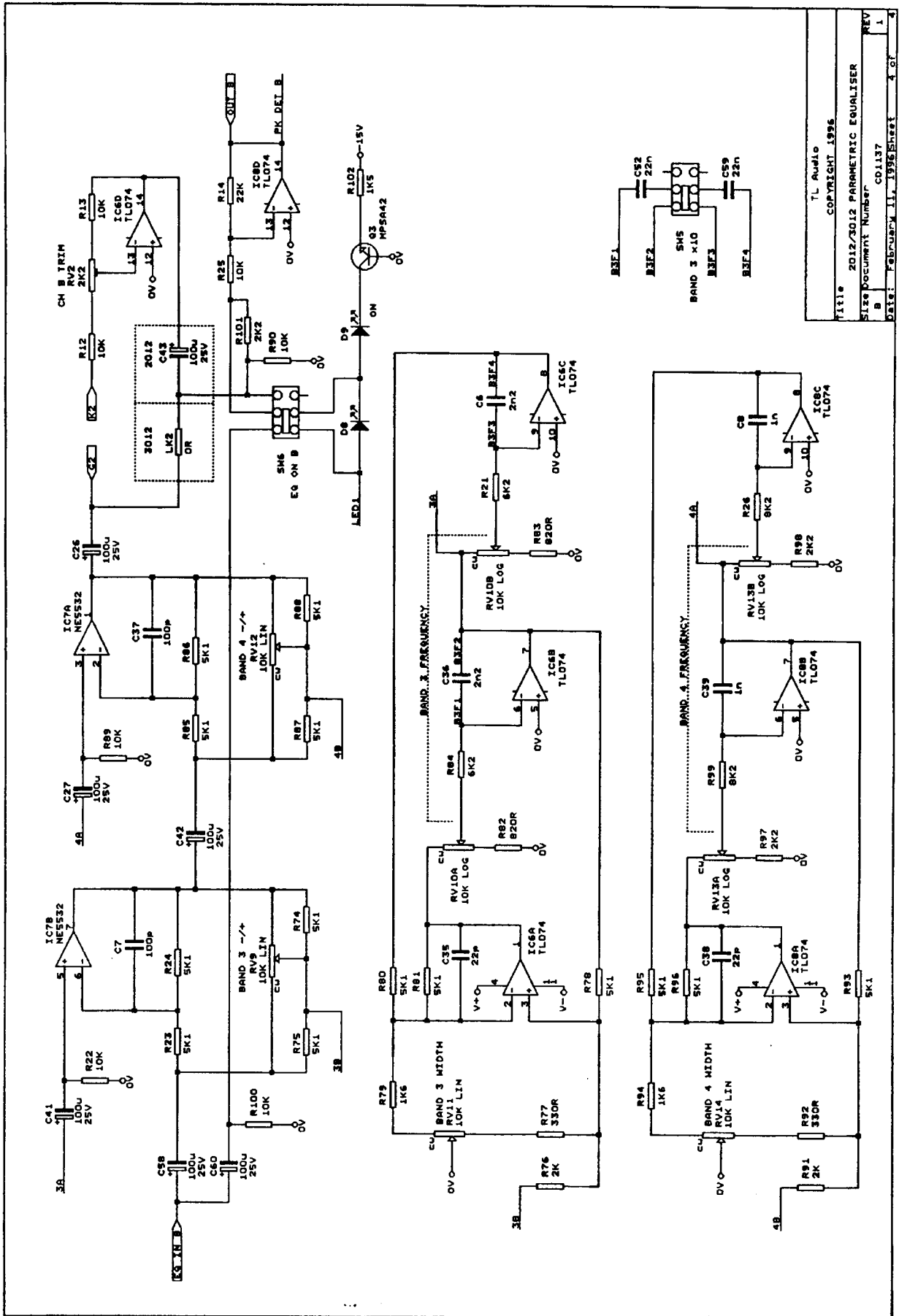
SW3



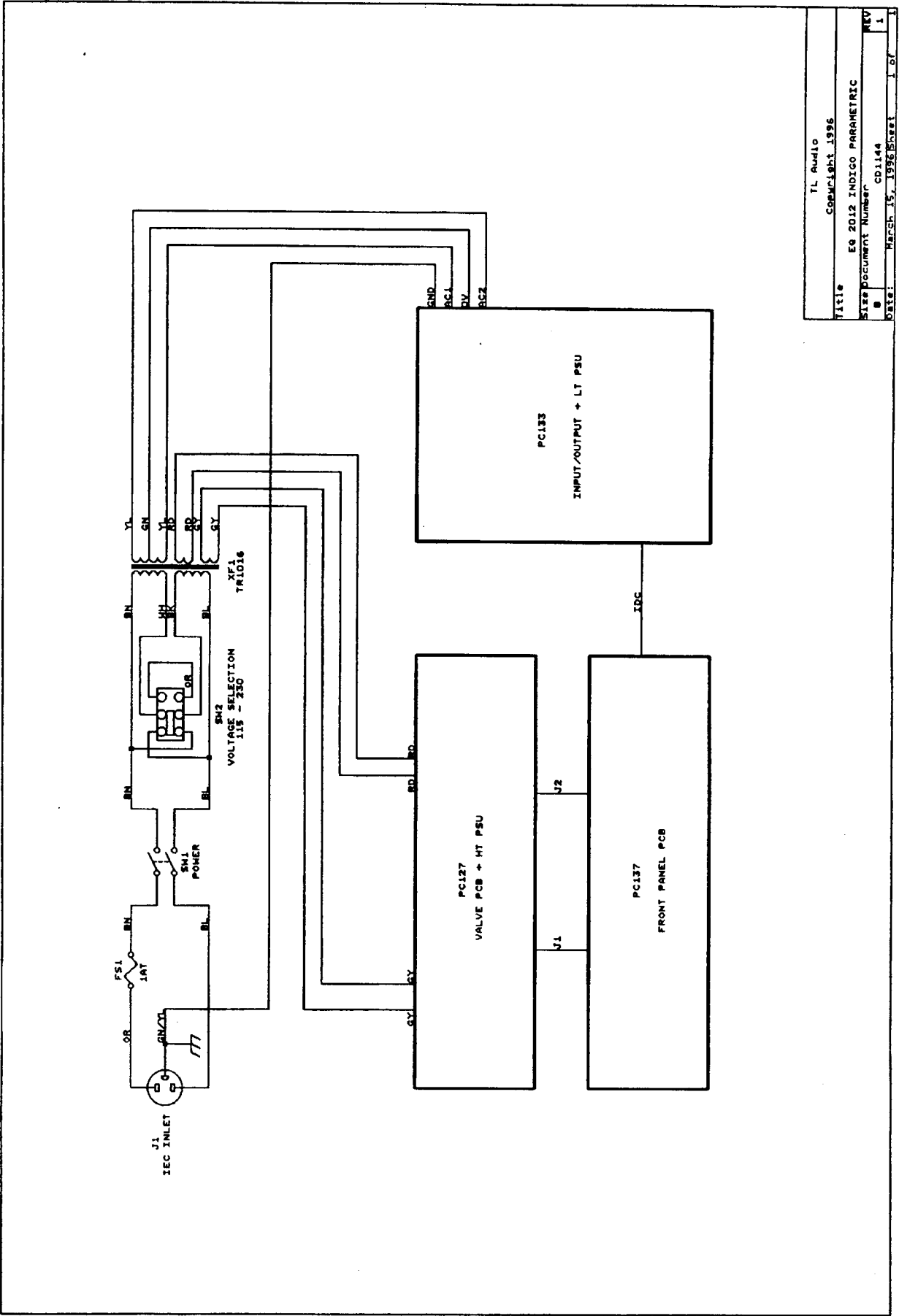
T L Audio COPYRIGHT 1996	
Title 2012/3012 PARAMETRIC EQUALISER	
Size Document Number	REV
B CD1137	1
Date: February 11, 1996	Sheet 2 of 4



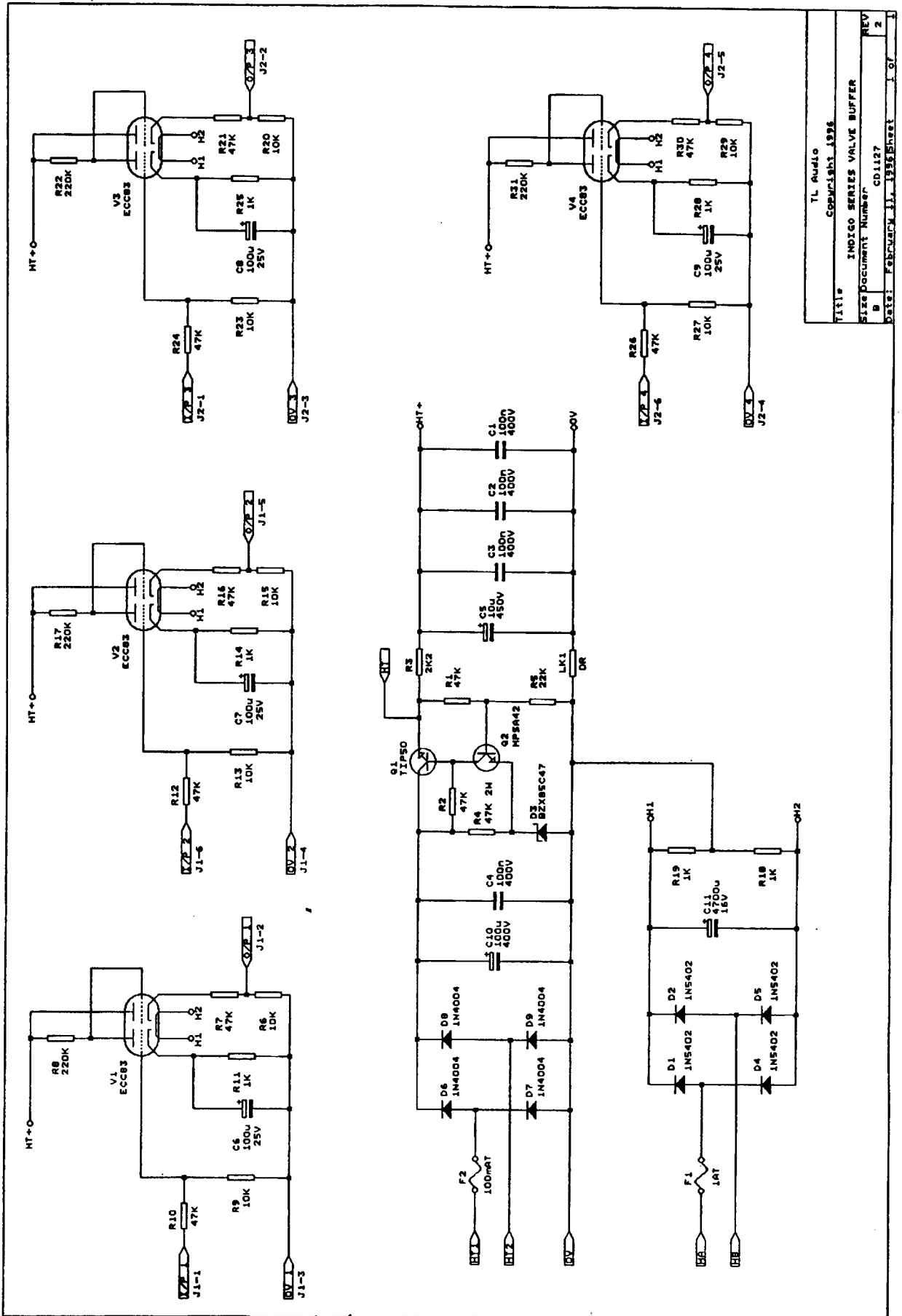
TL Audio  
 COPYRIGHT 1996  
 Title 2012/2012 PARAMETRIC EQUALISER  
 Sizer Document Number 011137  
 Date FEBRUARY 11, 1995 Sheet 3 of 4



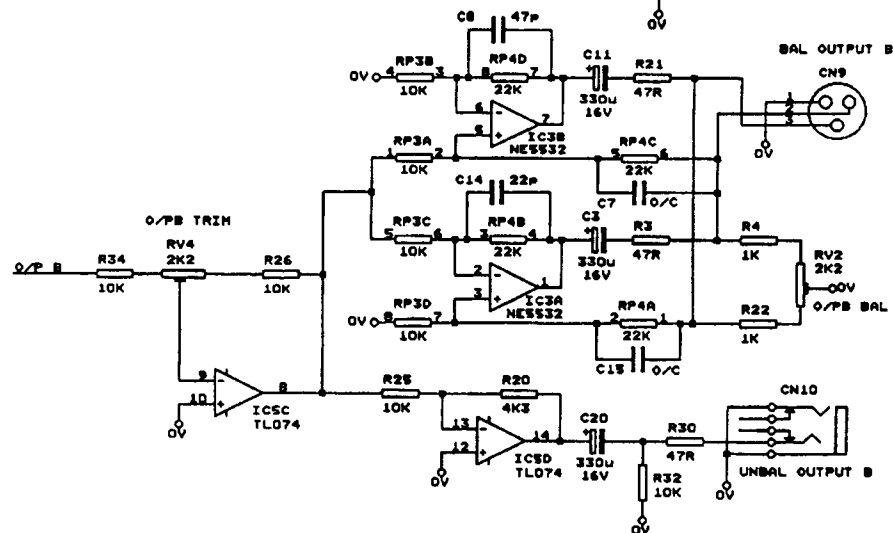
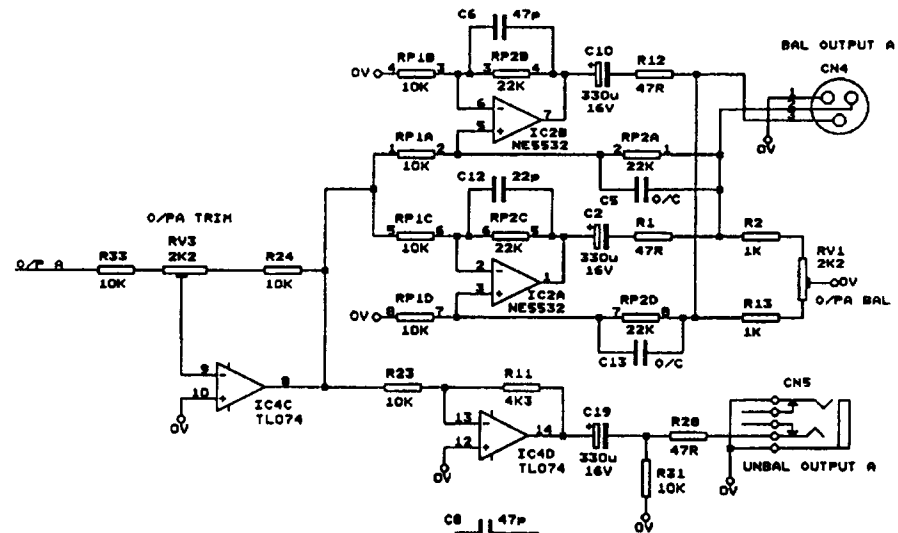
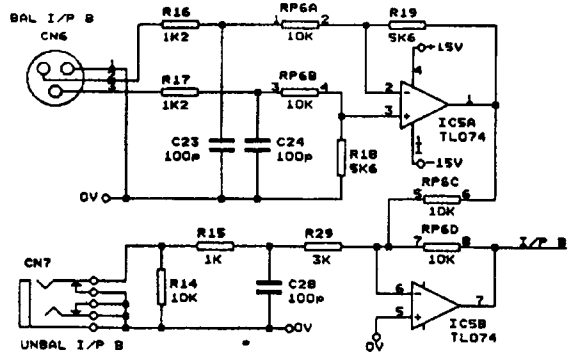
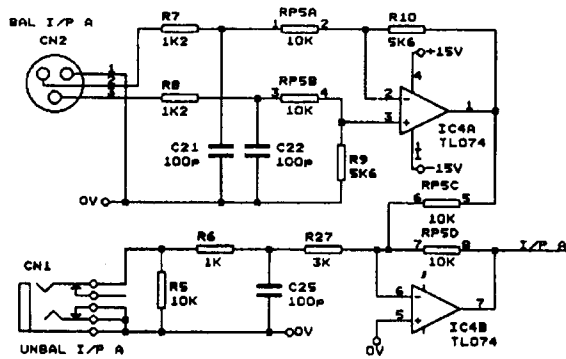
Title TL Audio  
 Copyright 1996  
 Title 2012/3012 PARAMETRIC EQUALISER  
 Size Document Number CD1137  
 B 1  
 Date: February 11, 1996 Sheet 4 of 4



TL Audio	
Copyright 1996	
Title	EQ 2012 INDIGO PARAMETRIC
Size/Document Number	CD1144
REV	1
Date:	March 15, 1996 Sheet 1 of 1

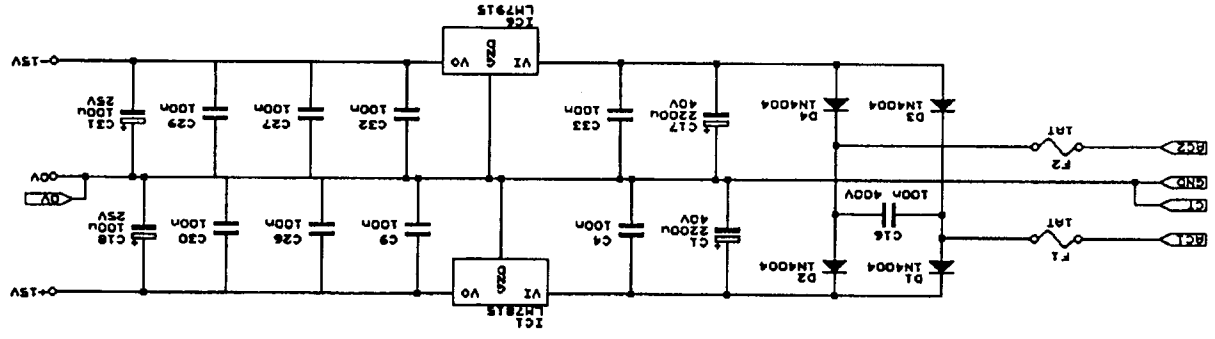
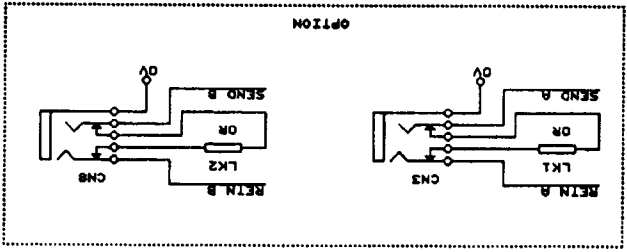
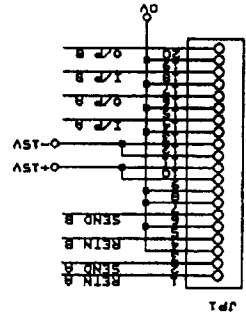


TL Audio  
Copyright 1996  
Title: INDIGO SERIES VALVE BUFFER  
Size Document Number: CD1127  
REV: B  
Date: February 11, 1996 Sheet 1 of 2



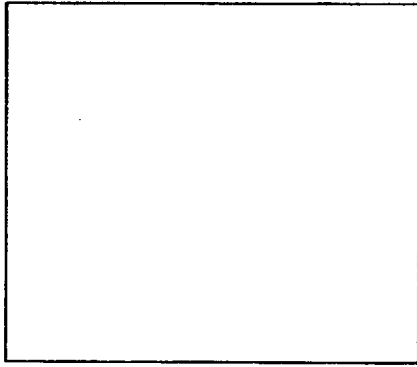
TL Audio	
COPYRIGHT 1996	
Title	STANDARD I/O PCB
Size Document Number	CD1133
Date: February 11, 1996	Sheet 3 of 3

REV	1	DATE: February 11, 1996 Sheet 2 of 3
SIZE	Document Number	CD1133
TITLE	STANDARD I/O PCB	
	COPYRIGHT 1996	TL AUDIO

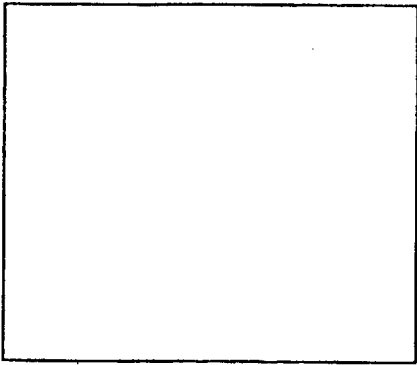




INPUTS + OUTPUTS



PAU + ASPECTS



TL Audio

COPYRIGHT 1996

FILE

STANDARD I/O PCB

Serial Document Number

B 01133

Date: FEBRUARY 11, 1996

1 of 3

REV

1

3