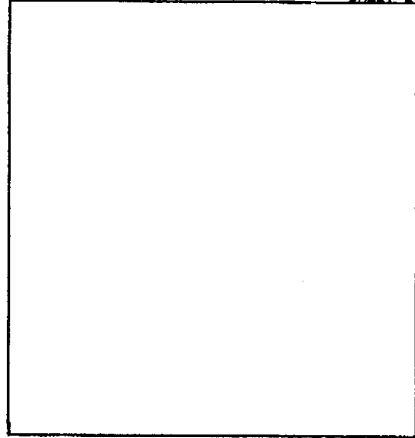
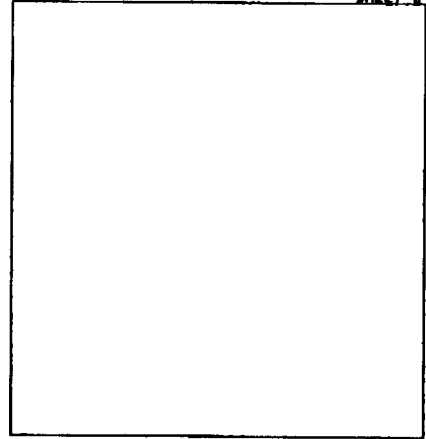


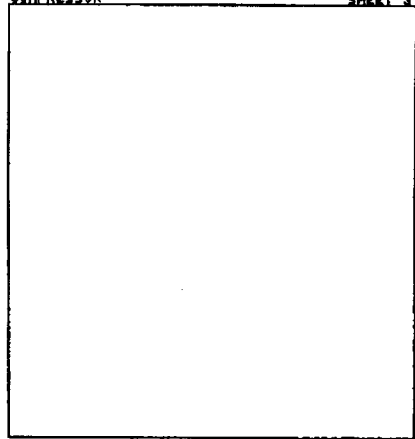
NIC INPUT SHEET 2



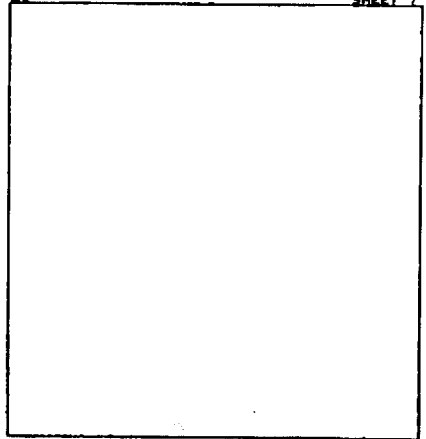
METERS SHEET 6



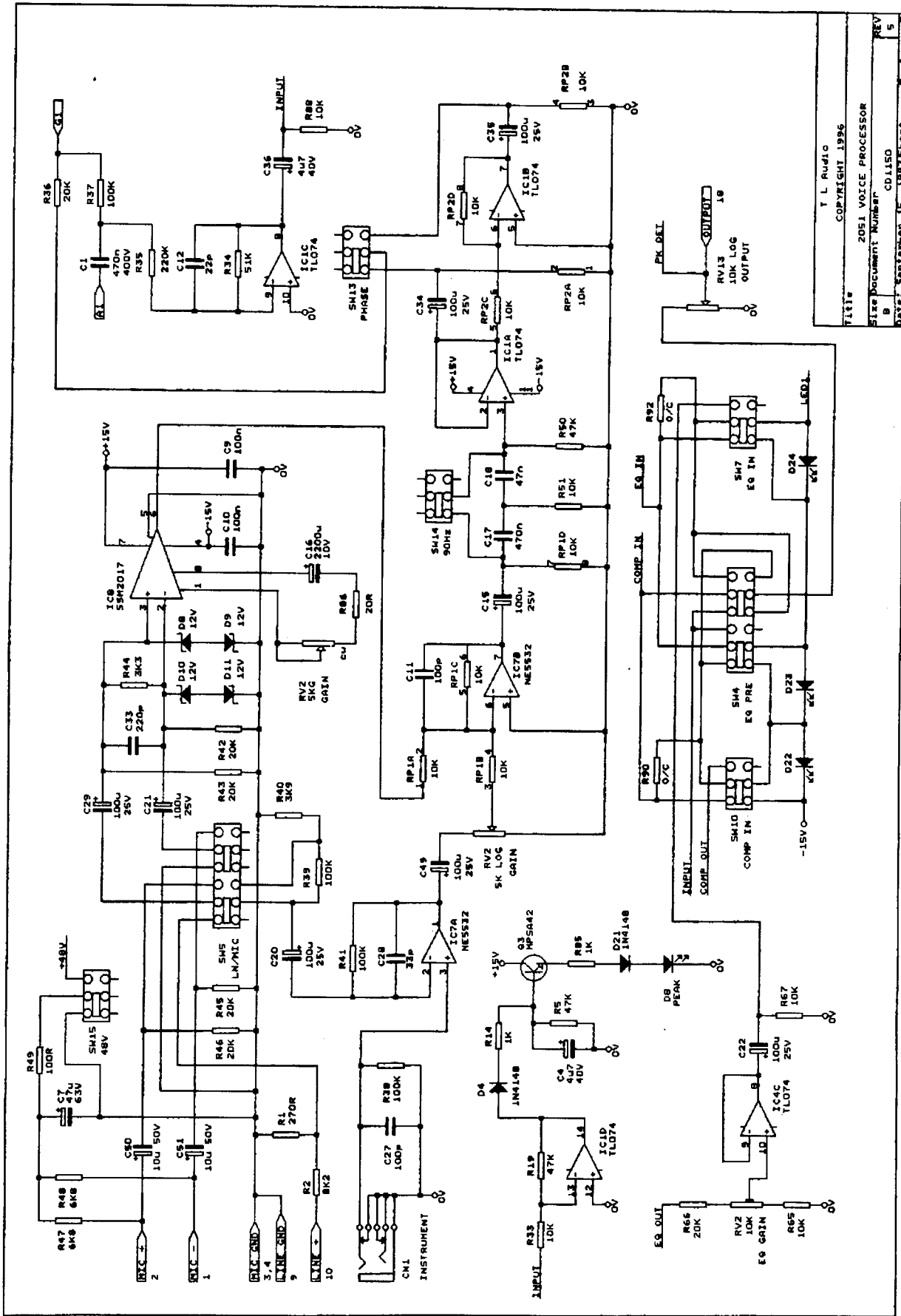
COMPRESSOR SHEET 3



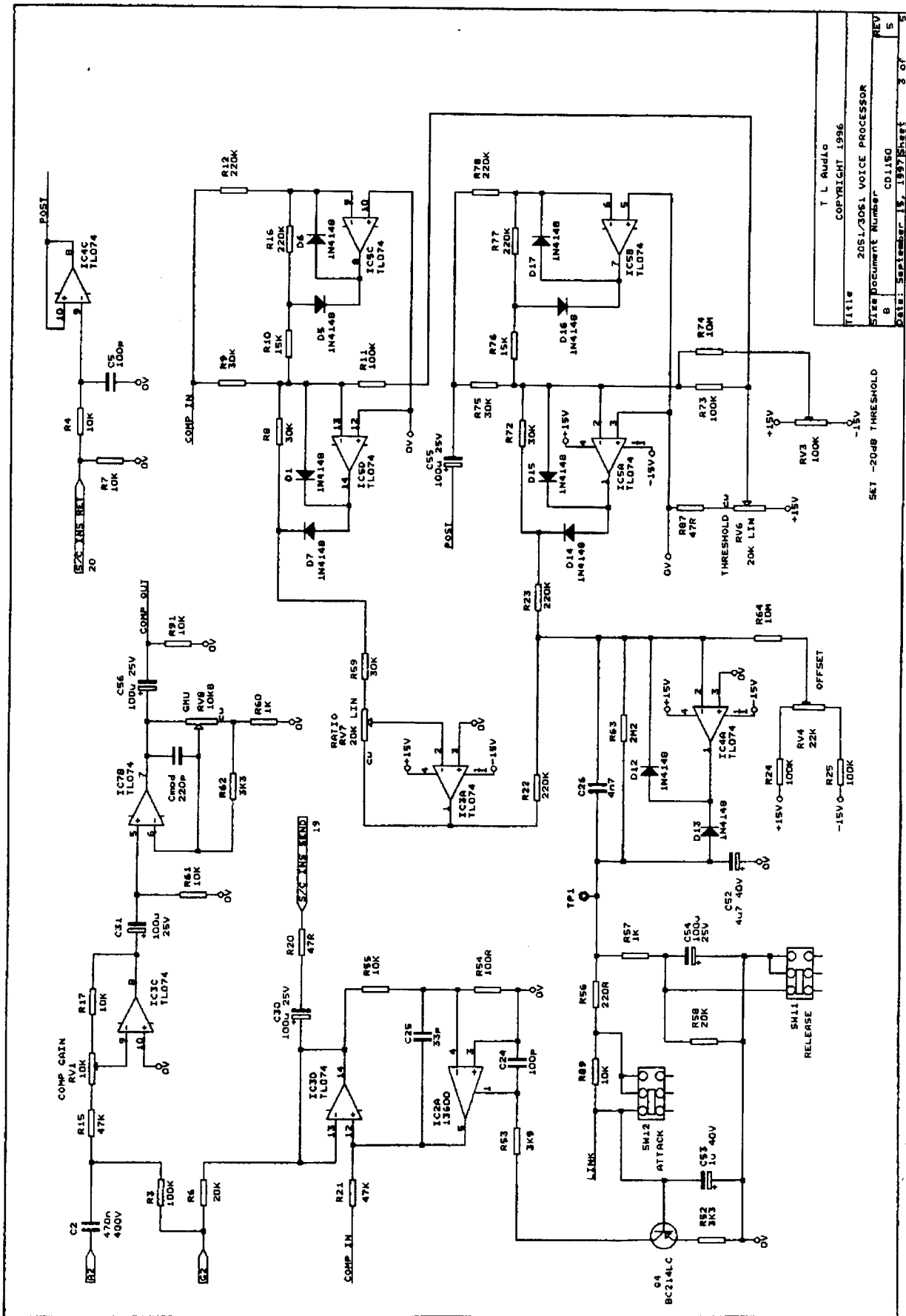
EQ SHEET 7

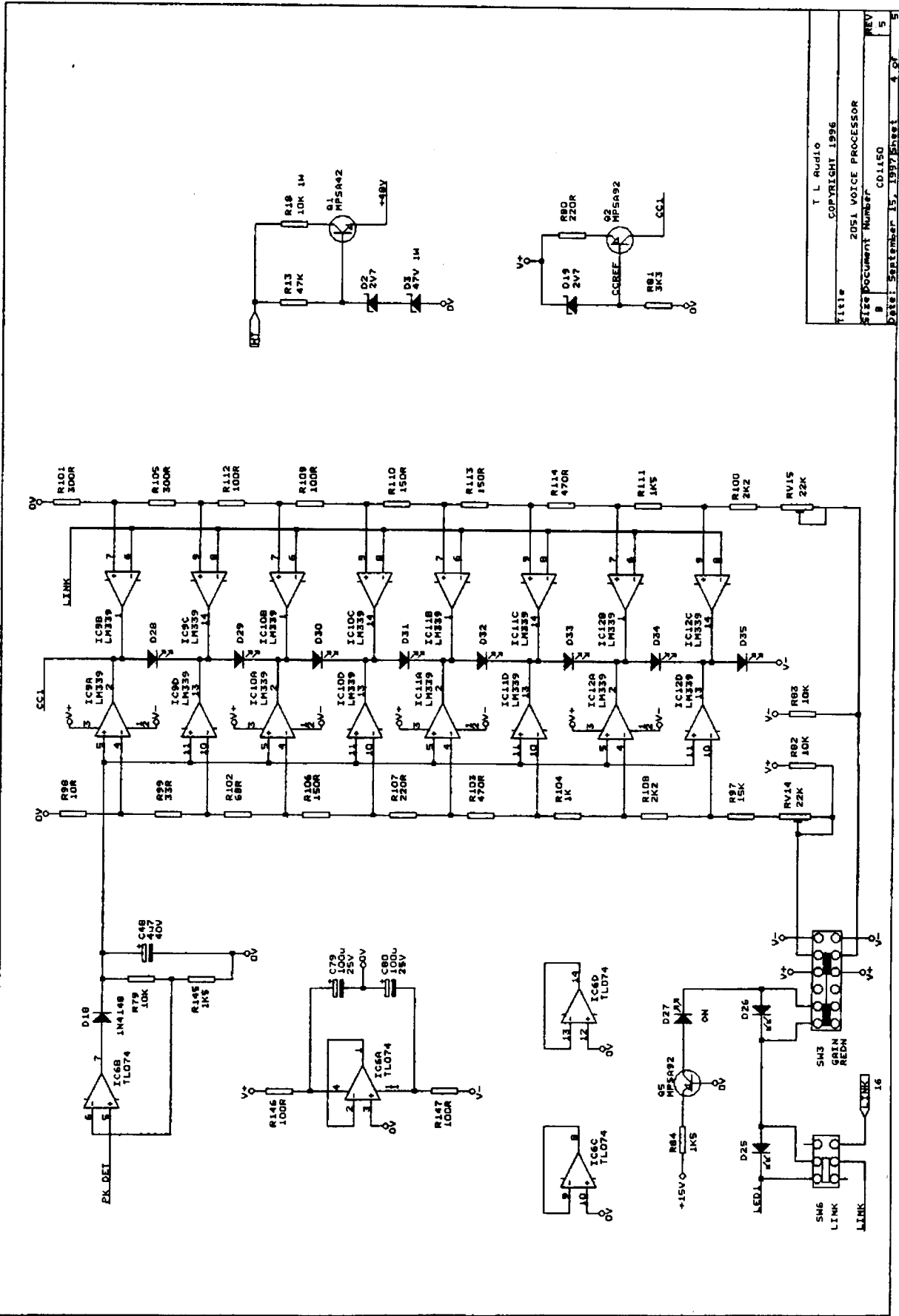


T L Audio	
COPYRIGHT 1997	
Title 2051 VOICE CHANNEL	
Size Document Number	REV
0 CD1150	5
Date: September 15, 1997	Sheet 1 of 5

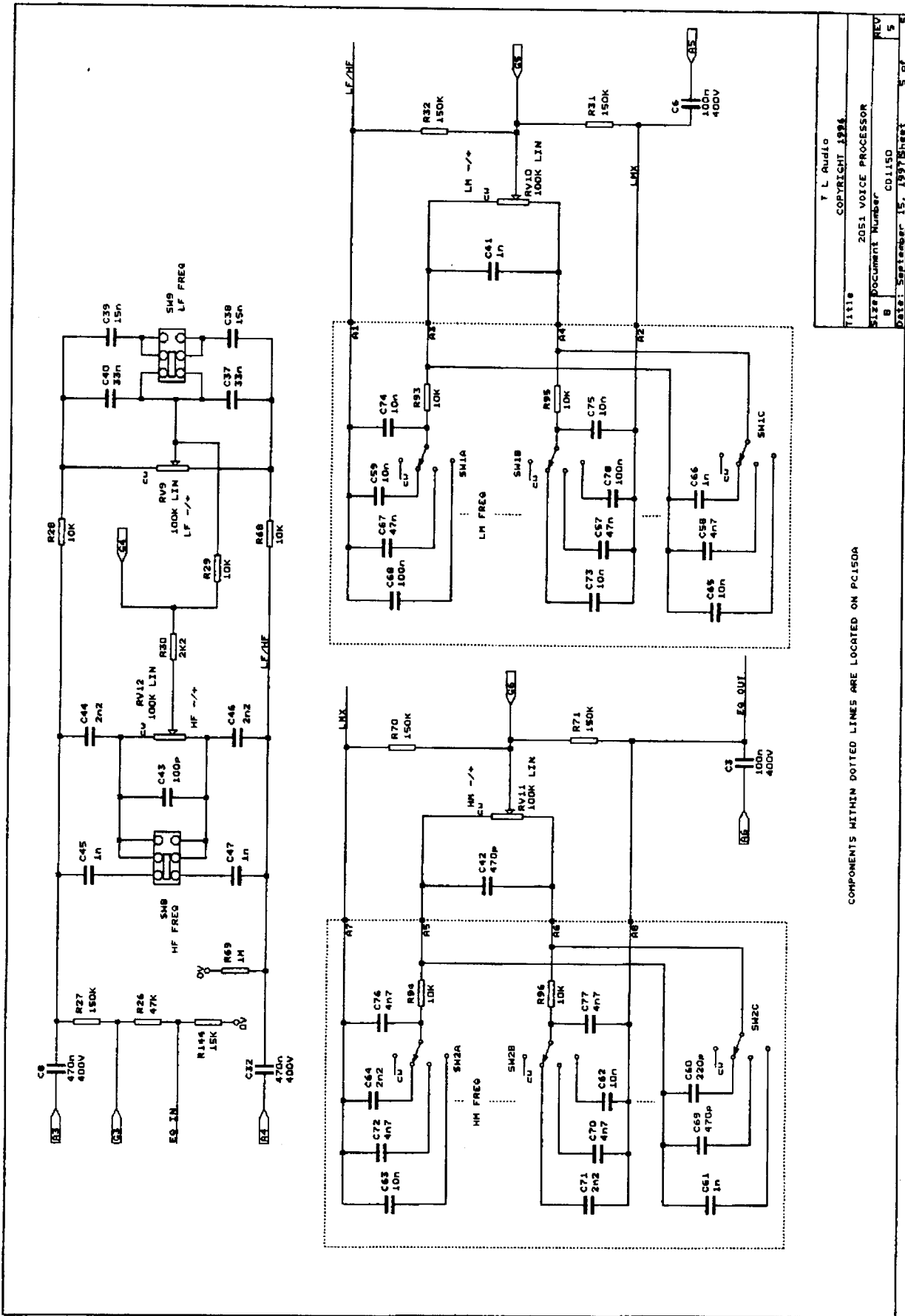


Title T L Audio
 Copyright 1996
 2051 Voice Processor
 File Document Number CD1150
 REV 5
 DATE SEPTEMBER 15, 1997
 2 OF 5





T L Audio
 COPYRIGHT 1996
 TITLE 2051 VOICE PROCESSOR
 SIZE DOCUMENT NUMBER COL150
 REV 5
 DATE SEPTEMBER 15, 1997 Sheet 4 of 5



COMPONENTS WITHIN DOTTED LINES ARE LOCATED ON PC150A

T L Audio	
COPYRIGHT 1986	
TITLE 2051 VOICE PROCESSOR	
Size Document Number	CD1150
REV	5
Date	September 15, 1987
Page	5 of 5