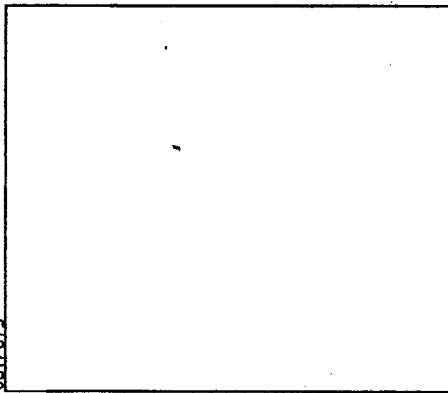


**CRIMSON PA 3001
SCHEMATICS**

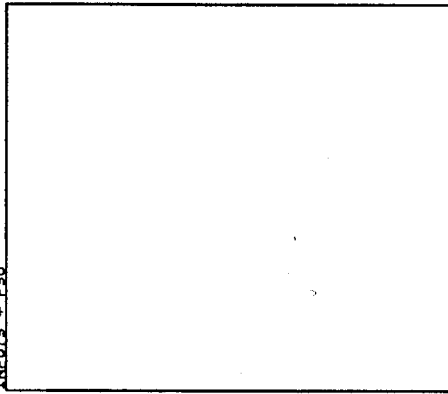
SET COMPRISES:

**CD1146
CD1135
CD1128
CD1127**

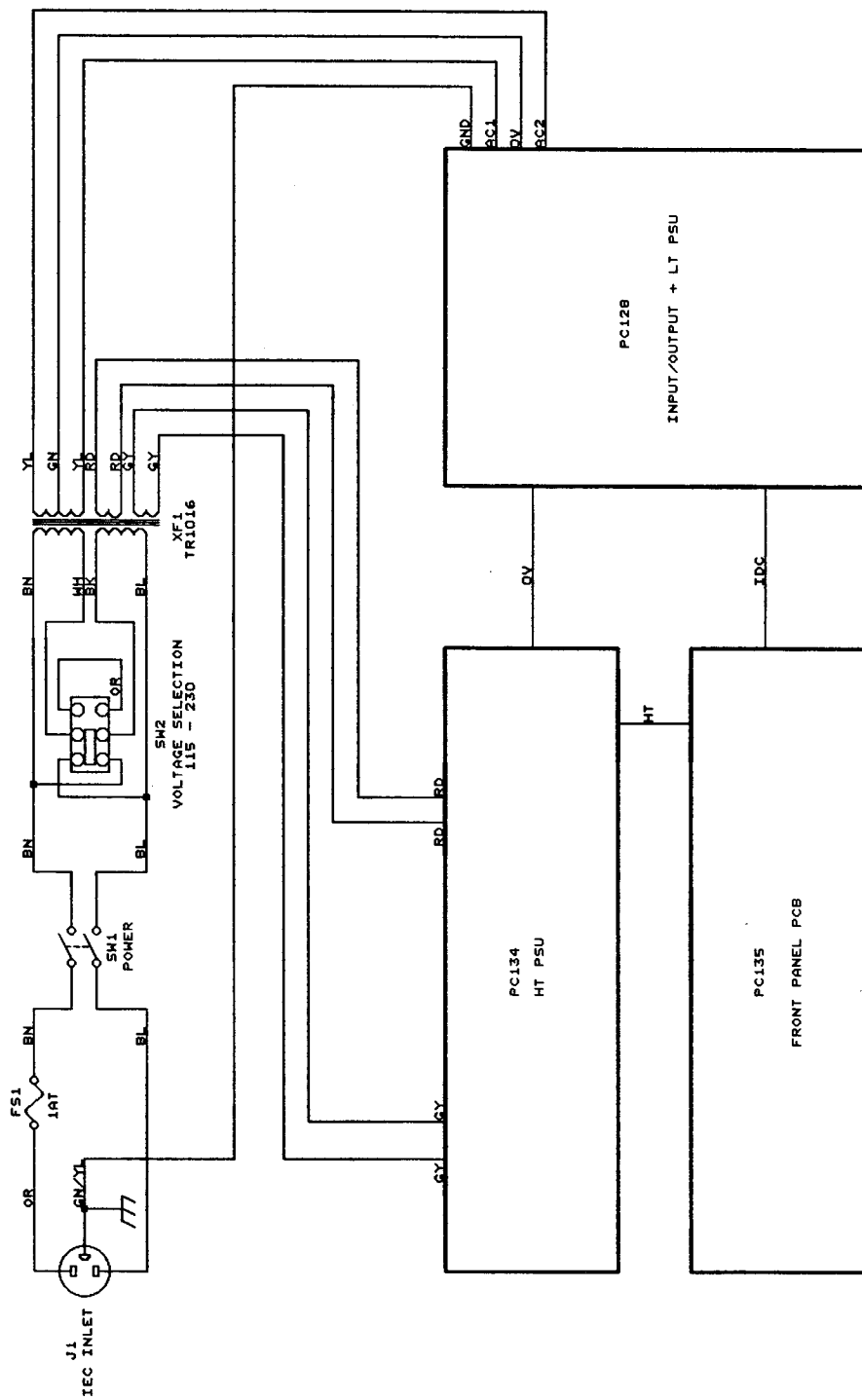
OUTPUTS



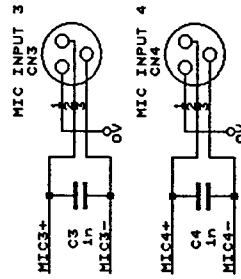
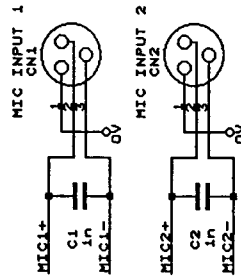
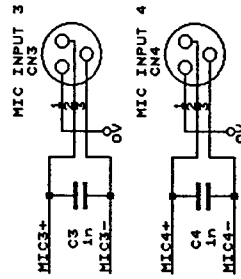
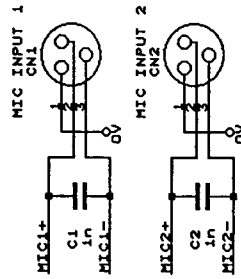
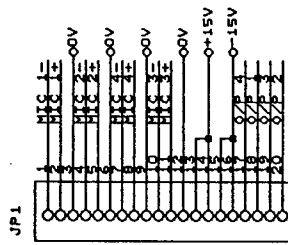
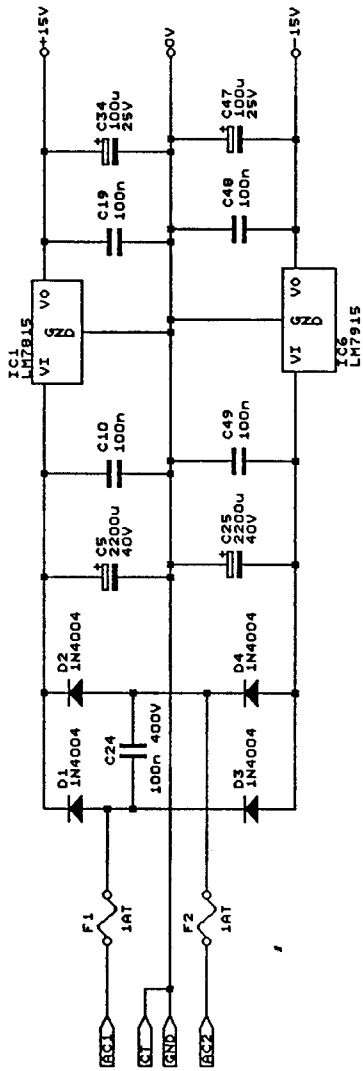
INPUTS + PSU



TL Audio	
COPYRIGHT 1996	
Title	2001/3001 I/O PCB
Size/Document Number	CD1128
B	REV 1
Date: FEBRUARY 11, 1996	Sheet 1 of 3



Title		TL Audio	
Copyright		Copyright 1996	
Part Number		PA 3001 CRIMSON PRE-AMPLIFIER	
Size	Document Number	CD1146	REV
B			1
Date:	March 15, 1996	Sheet	1 of 1



Title		TL Audio
Copyright		COPYRIGHT 1996
Size		2001/3001 I/O PCB
Document Number		CD1128
REV		
B		
Date:	February 11, 1996	Sheet 3 of 3