

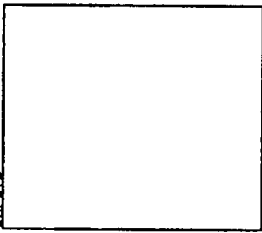
PC139
FRONT PANEL PCB

PC133
INPUT/OUTPUT + LT PSU

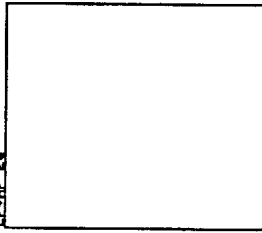
JDC

Title		TL Audio
Copyright		Copyright 1995
Part Number		EQ 3011 CRINSON EQUALIZER
Revision		REV 1
Date		March 15, 1995
Page		1 of 1

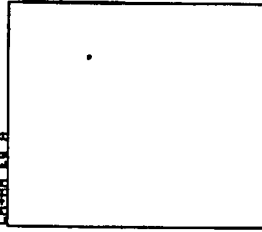
INPUT



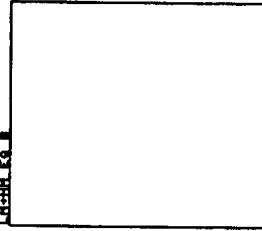
LF-HF EQ



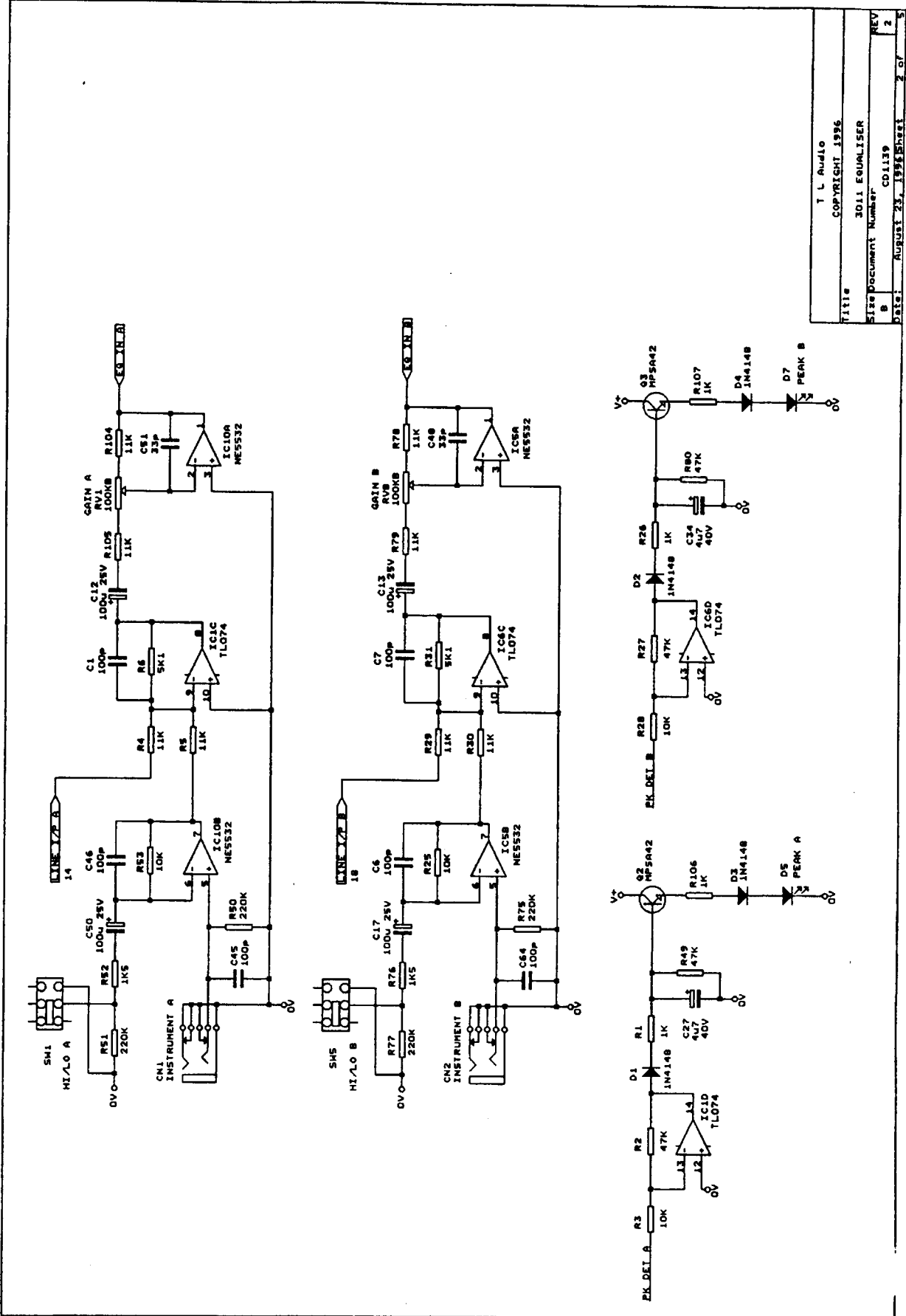
LM-HM EQ A



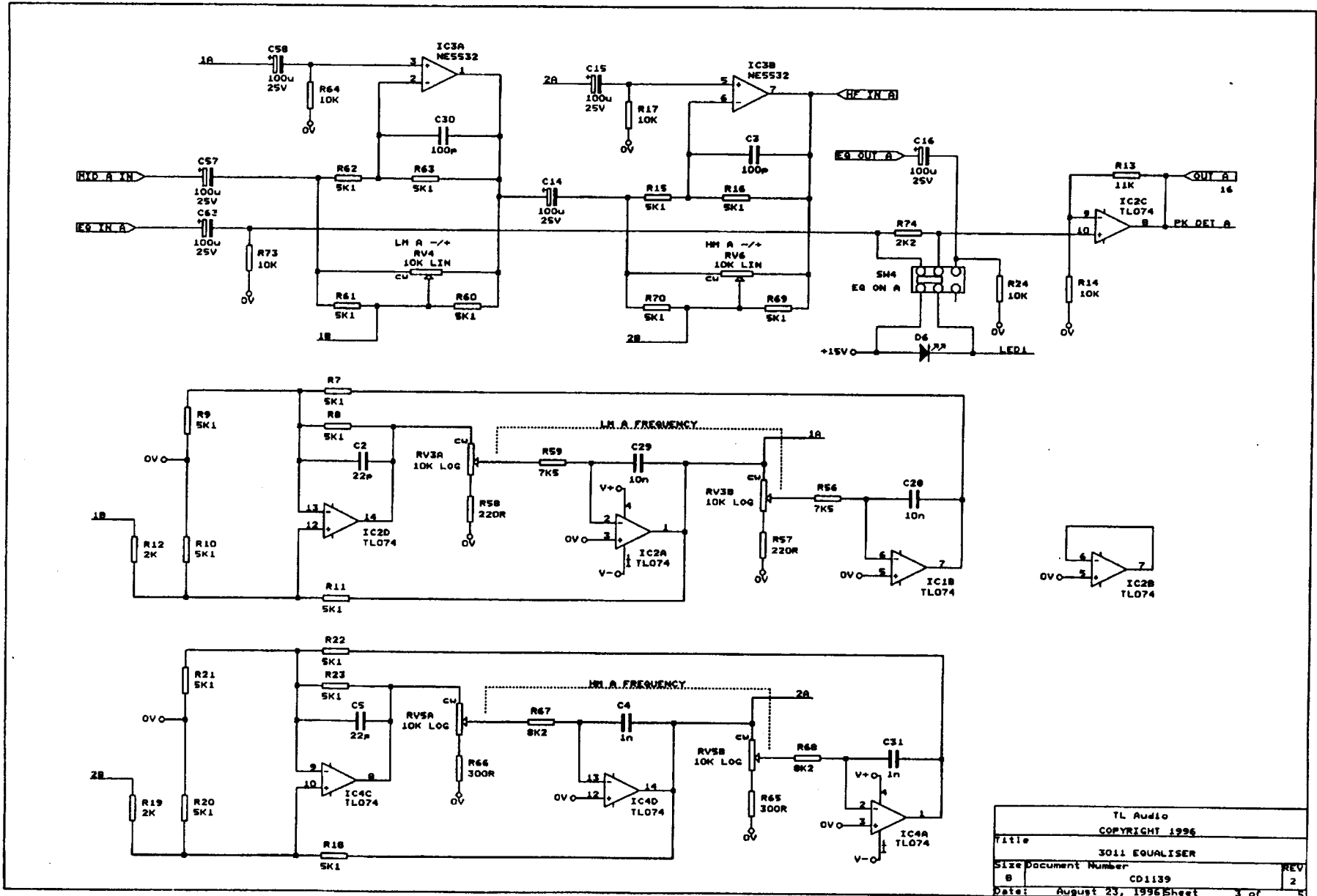
LM-HM EQ B



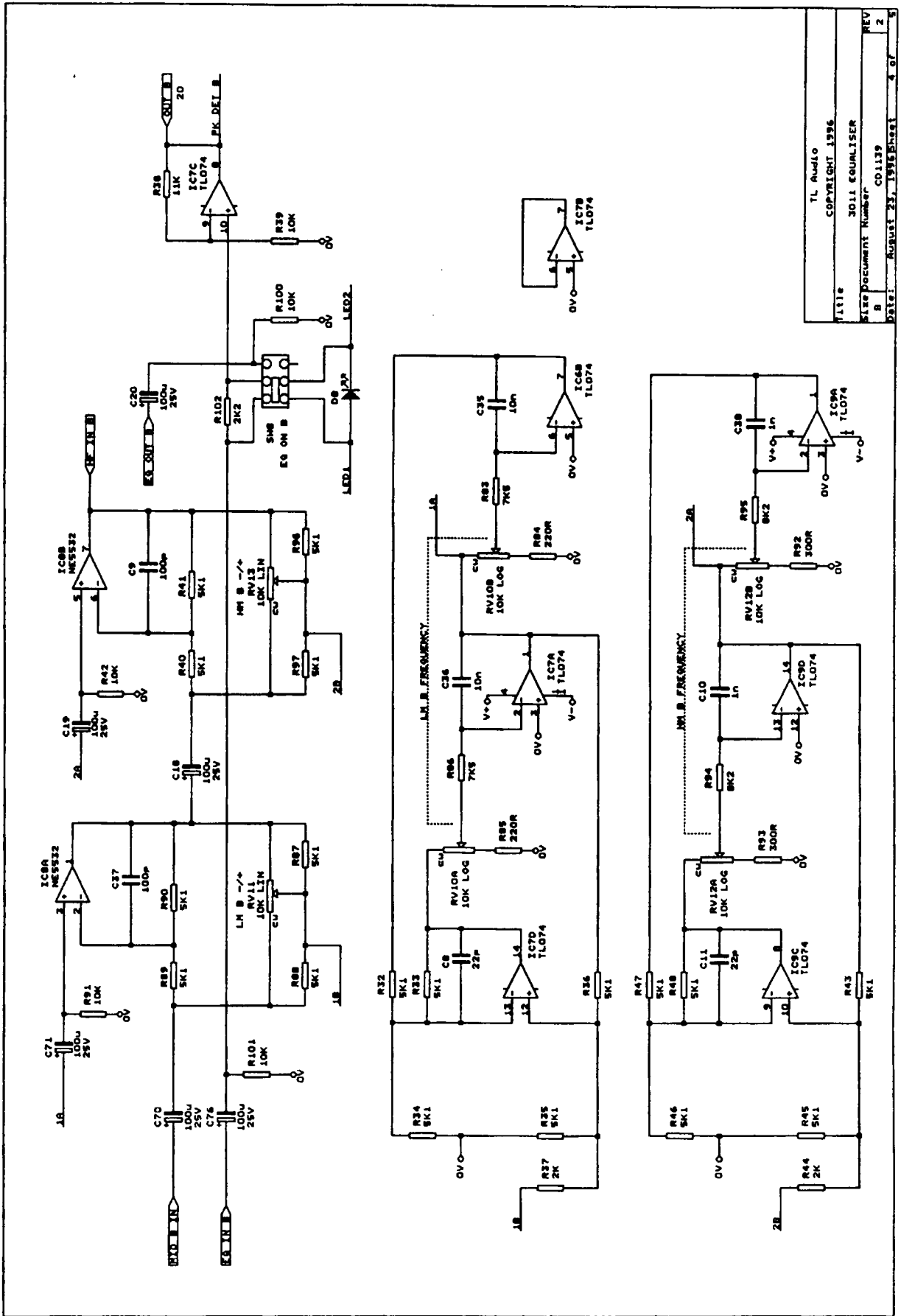
TL Audio
COPYRIGHT 1996
Title 3011 EQUALISER
Size Document Number CD1139 REV 2
Date: JULY 11, 1995 Sheet 1 of 5



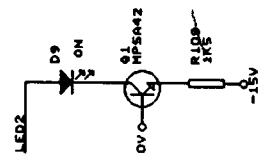
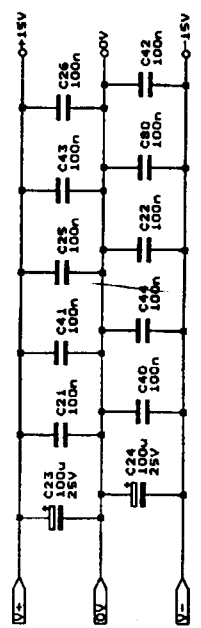
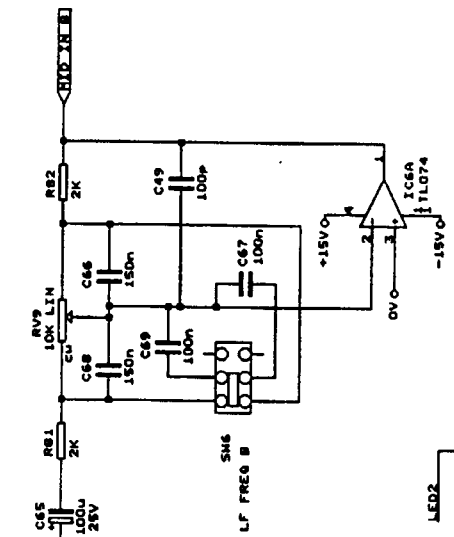
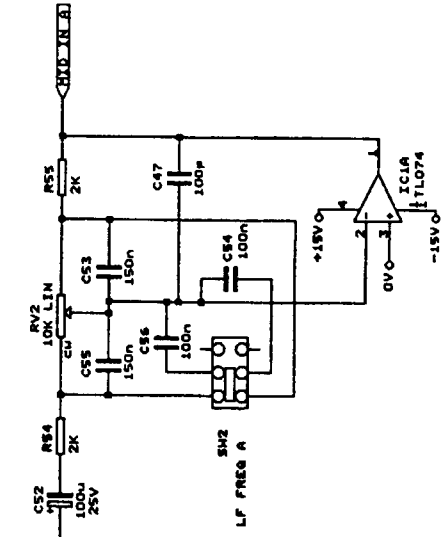
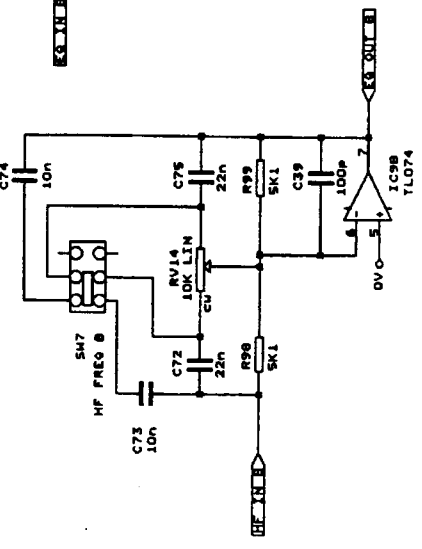
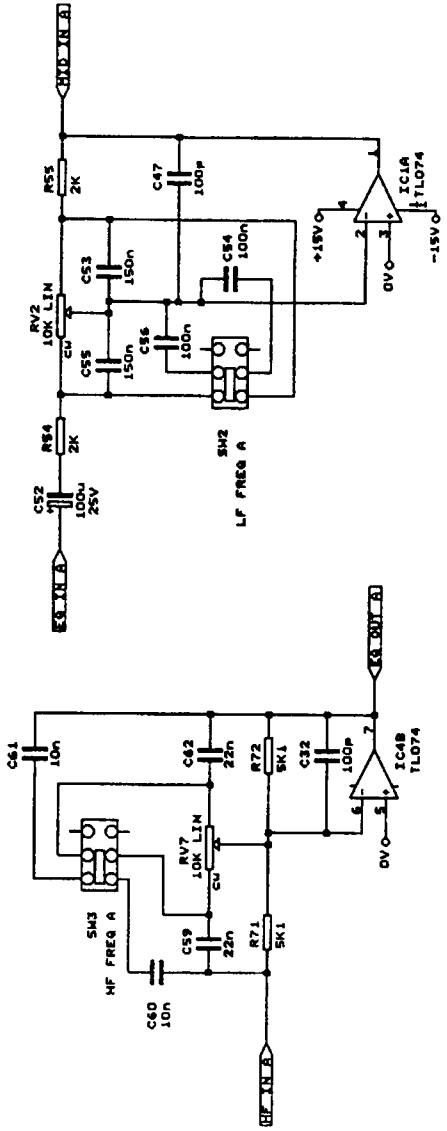
TITLE	T L Audio
DATE	AUGUST 23, 1995
SIZE	3011 EQUALISER
REV	001139
REV	2
REV	2
REV	5



TL Audio	
COPYRIGHT 1996	
3011 EQUALISER	
Size	document Number
B	CD1139
Date:	August 23, 1996 Sheet 3 of 5



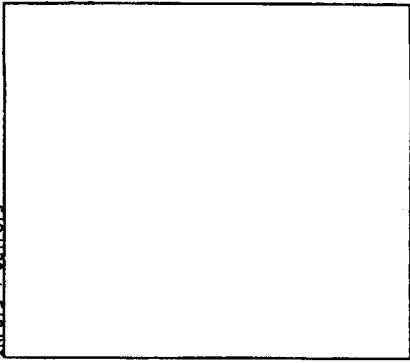
Title	TL Audio
Size Document Number	3011 EQUALISER
REV	2
DATE	AUGUST 23, 1978/MSZ
	4 of 5



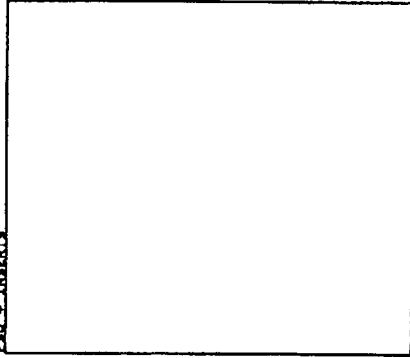
R103

TL Audio	
COPYRIGHT 1996	
3011 EQUALISER	
SHEET	Document Number CD1139
REV	2
DATE:	August 23, 1996 Sheet 5 of 5

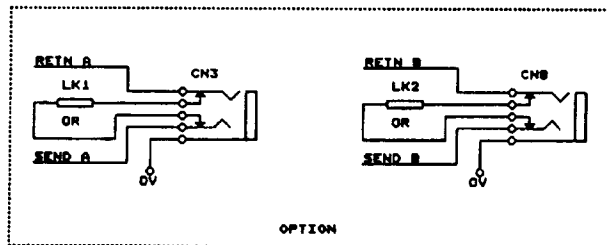
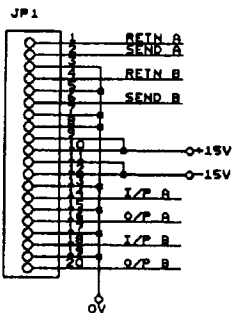
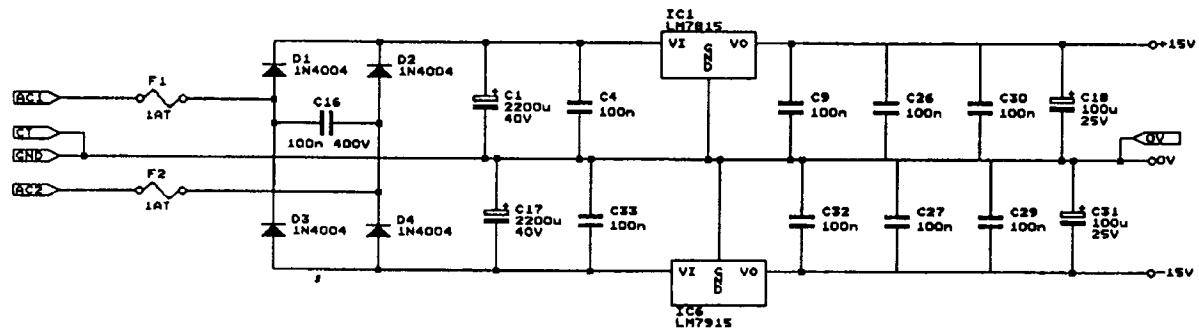
INPUTS + OUTPUTS



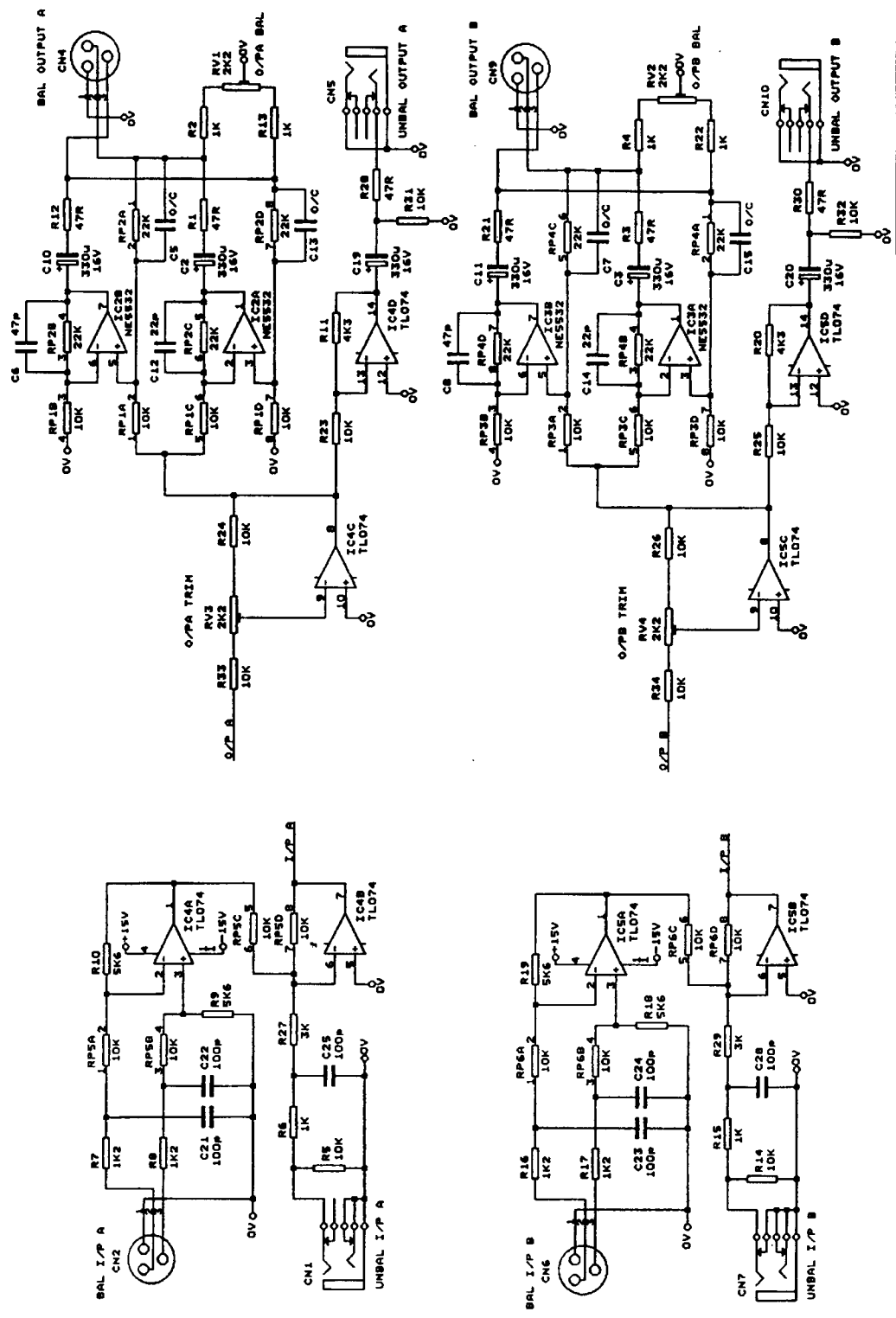
PSU + INSERTS



TL Audio
COPYRIGHT 1986
STANDARD I/O PCB
Size Document Number 01123
REV 1
DATE: FEBRUARY 11, 1986 Sheet 1 of 3



TL Audio	
COPYRIGHT 1996	
Title STANDARD I/O PCB	
Size Document Number	REV
8 CD1133	1
Date: February 11, 1996 Sheet 2 of 3	



REV	1
Size	Document Number
CD133	
DATE:	FEBRUARY 11, 1986
TL Audio	
COPYRIGHT 1986	
STANDARD I/O PCB	