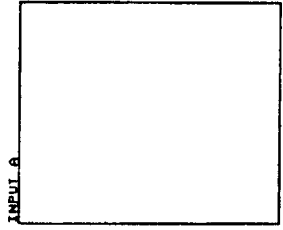
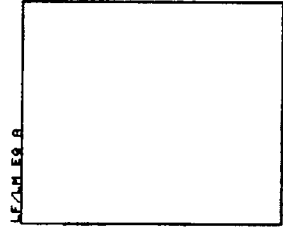


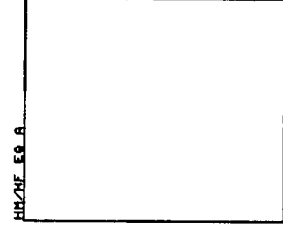
INPUT\_A



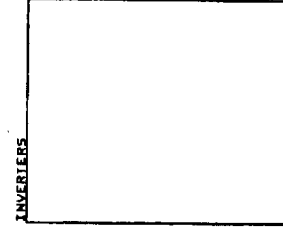
LEAF EQ A



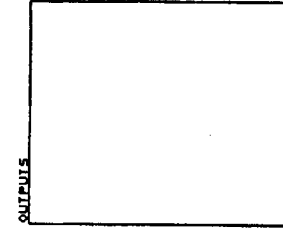
HM/AF EQ A



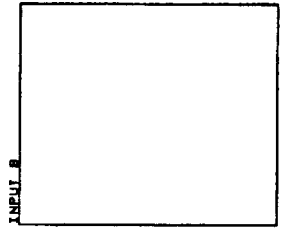
INVERTERS



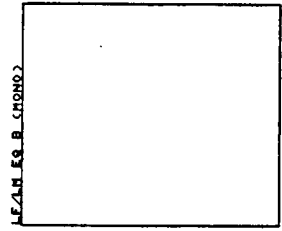
OUTPUTS



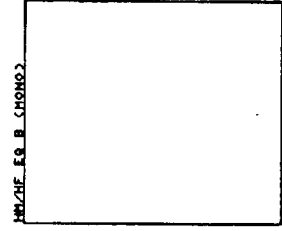
INPUT\_B



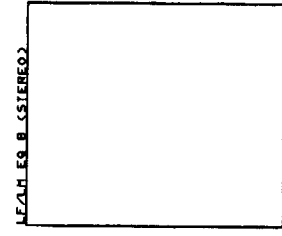
LEAF EQ B (MONO)



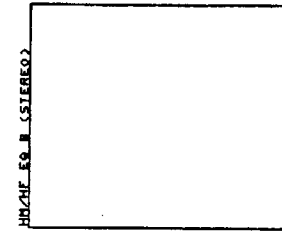
HM/AF EQ B (MONO)



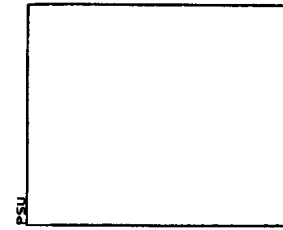
LEAF EQ B (STEREO)



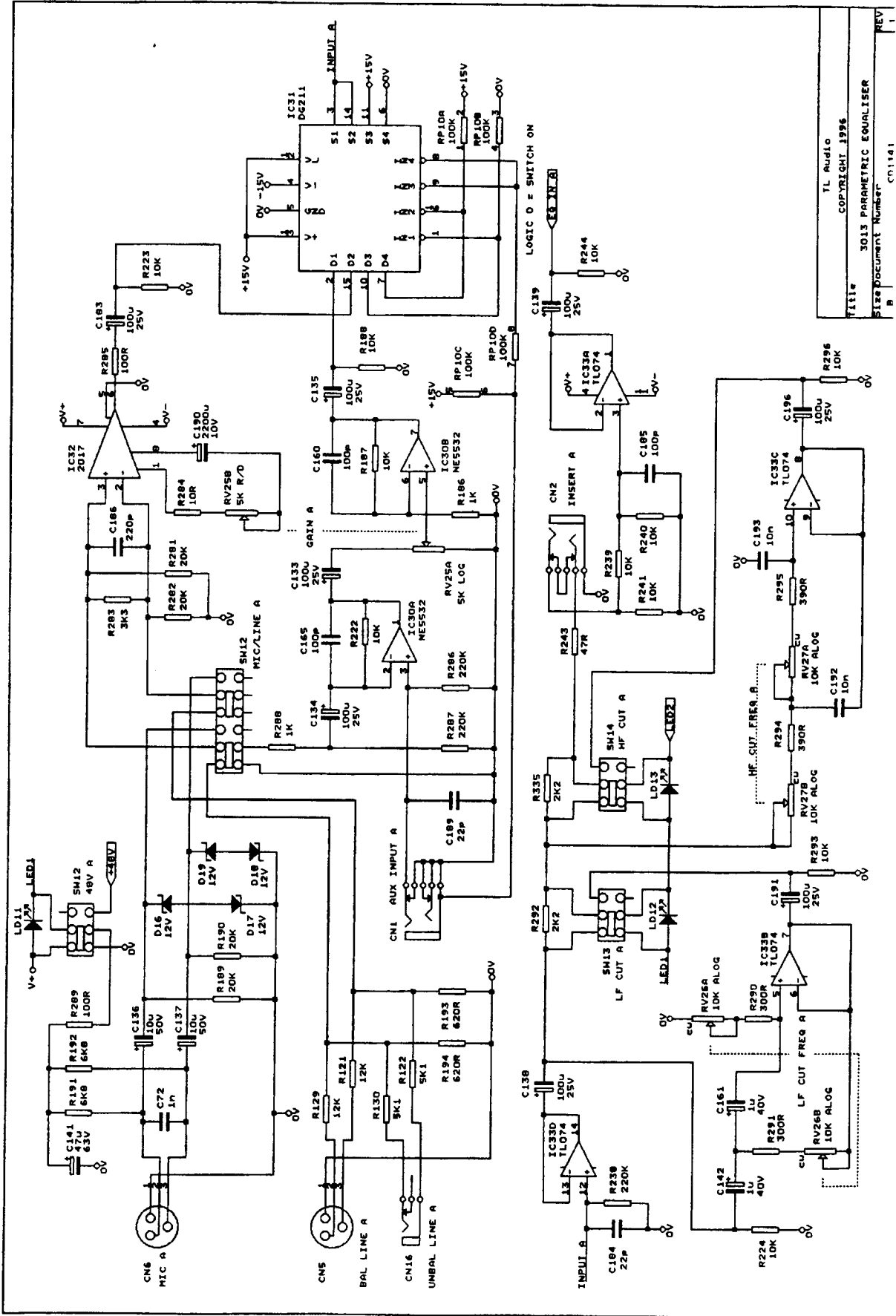
HM/AF EQ B (STEREO)



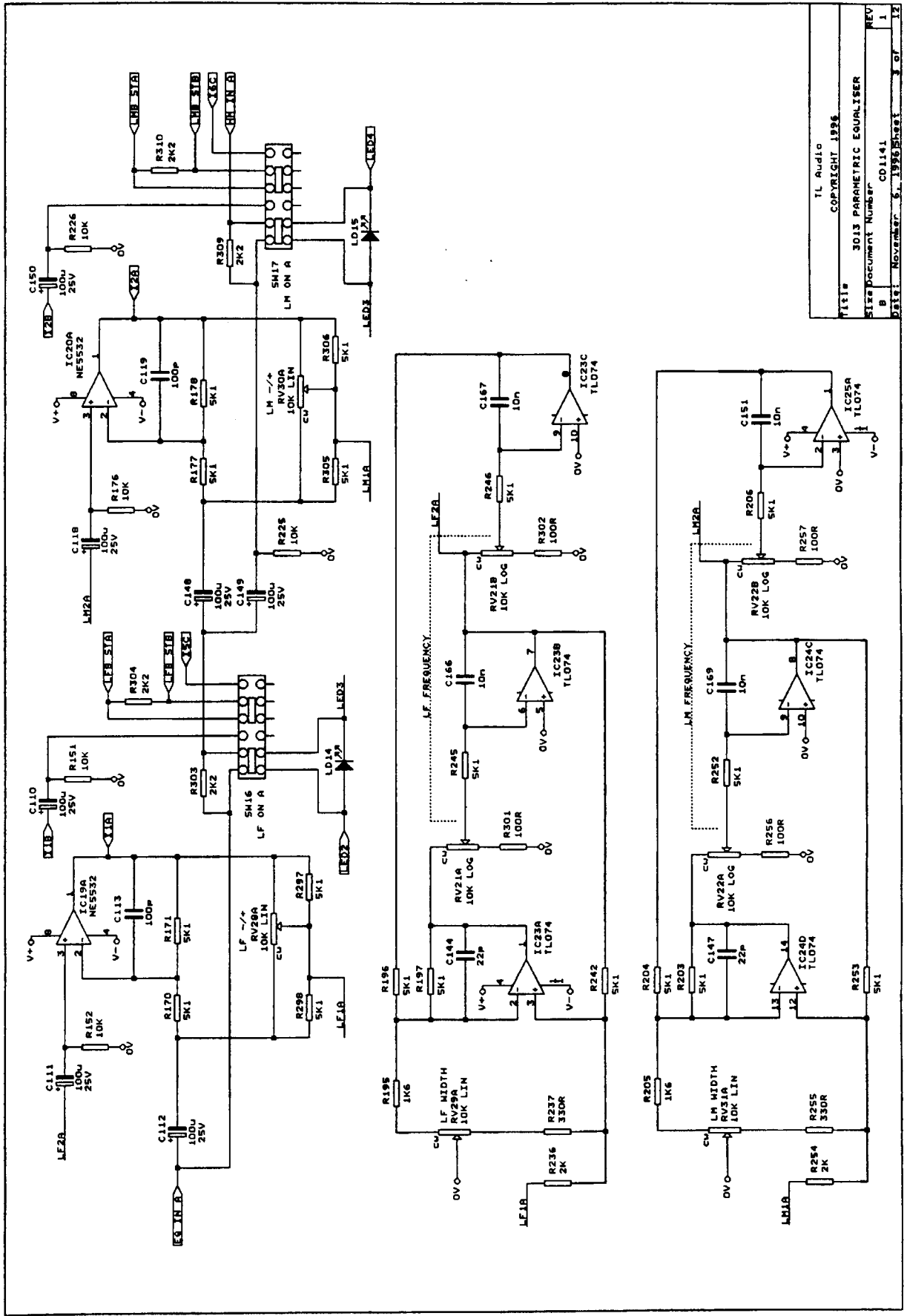
PSU



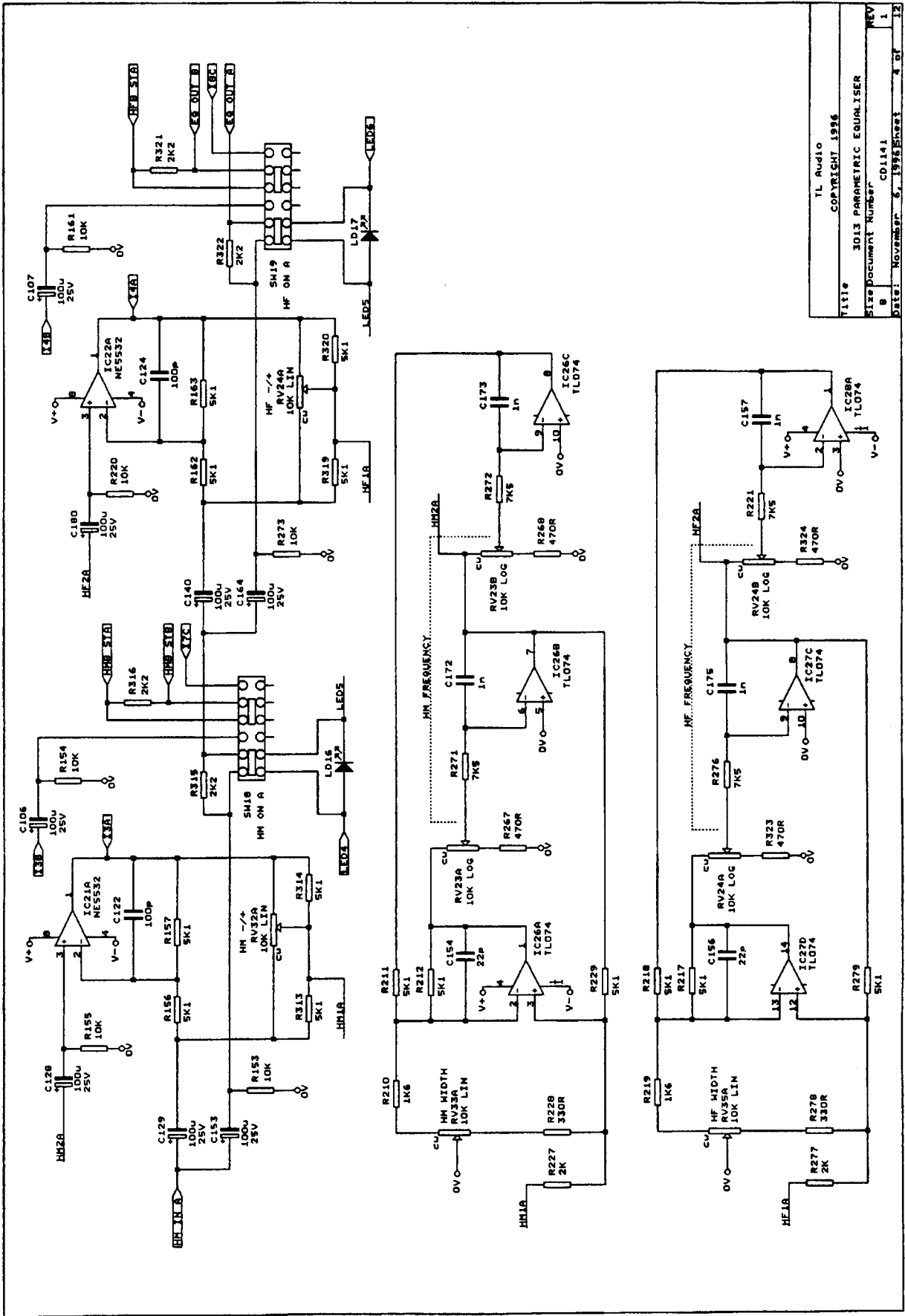
TL Audio  
 COPYRIGHT 1996  
 Title 3013 PARAMETRIC EQUALISER  
 Size Document Number CD1141  
 B REV 1  
 Date: November 6, 1995 EHW:1 1 of 12



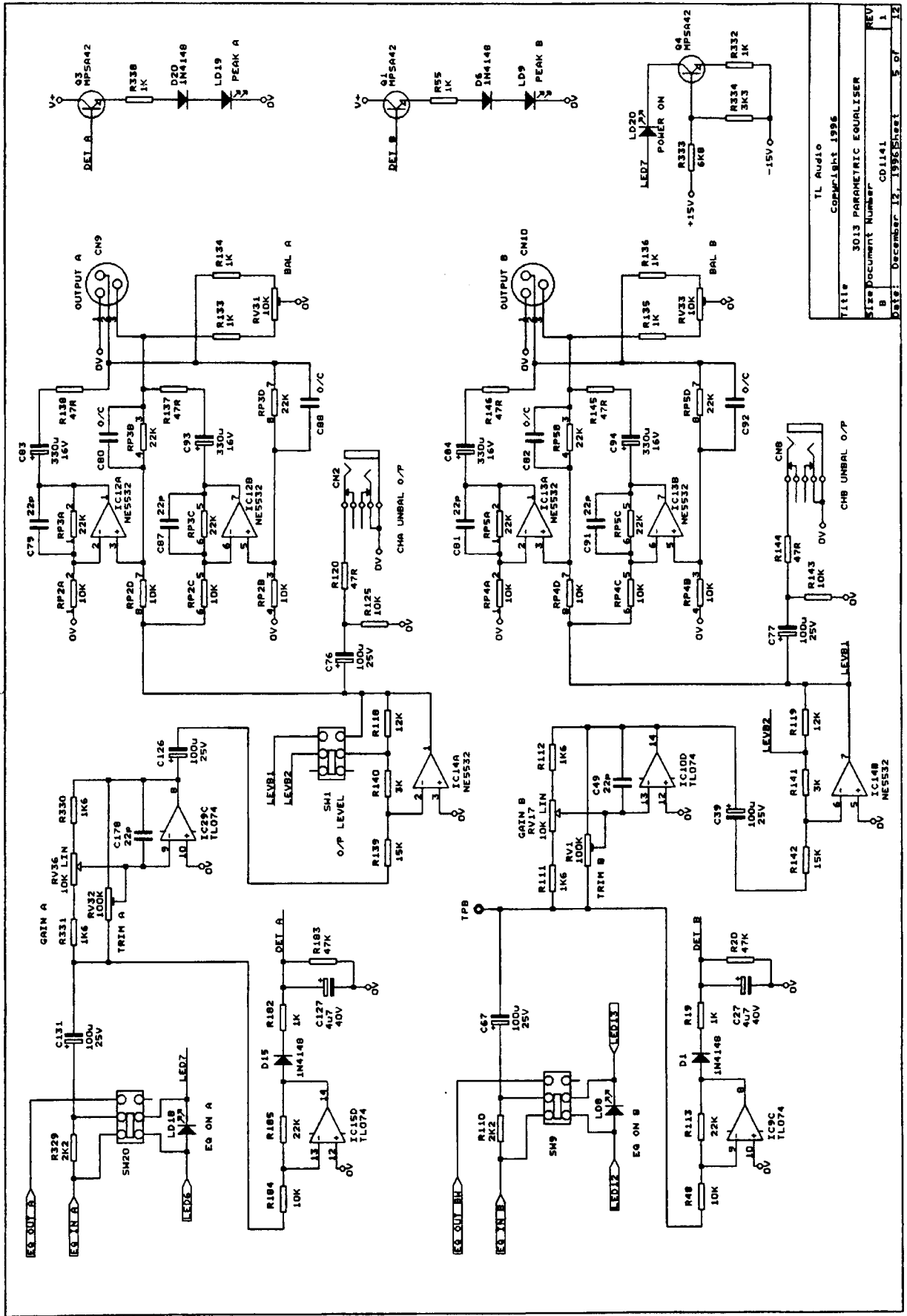
REV 1  
 TL Audio  
 COPYRIGHT 1996  
 3013 PARAMETRIC EQUALISER  
 Size Document Number C01141



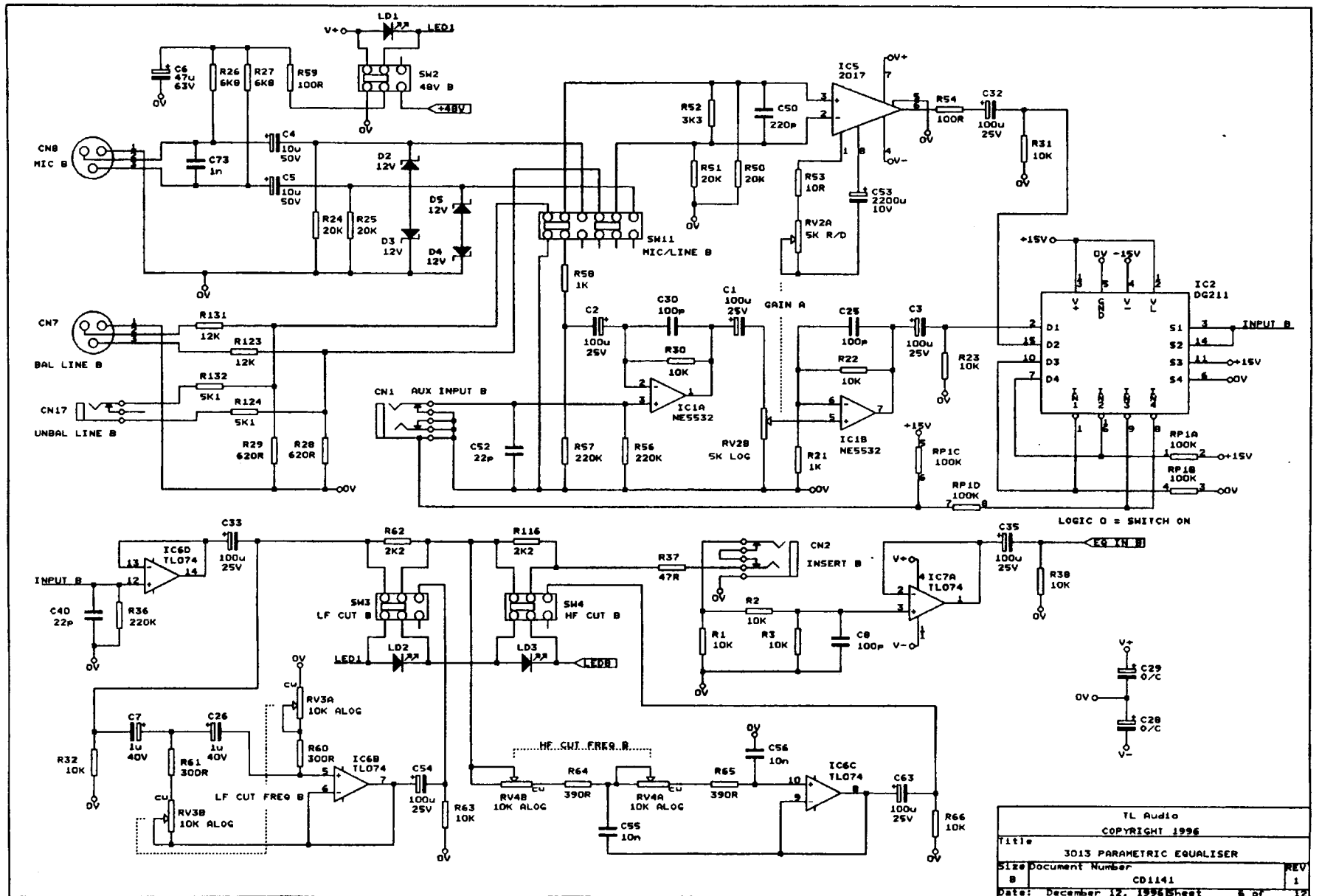
TL Audio  
 COPYRIGHT 1986  
 3D13 PARAMETRIC EQUALISER  
 Size Document Number C01141  
 B  
 Date: November 6, 1986 Sheet 3 of 12



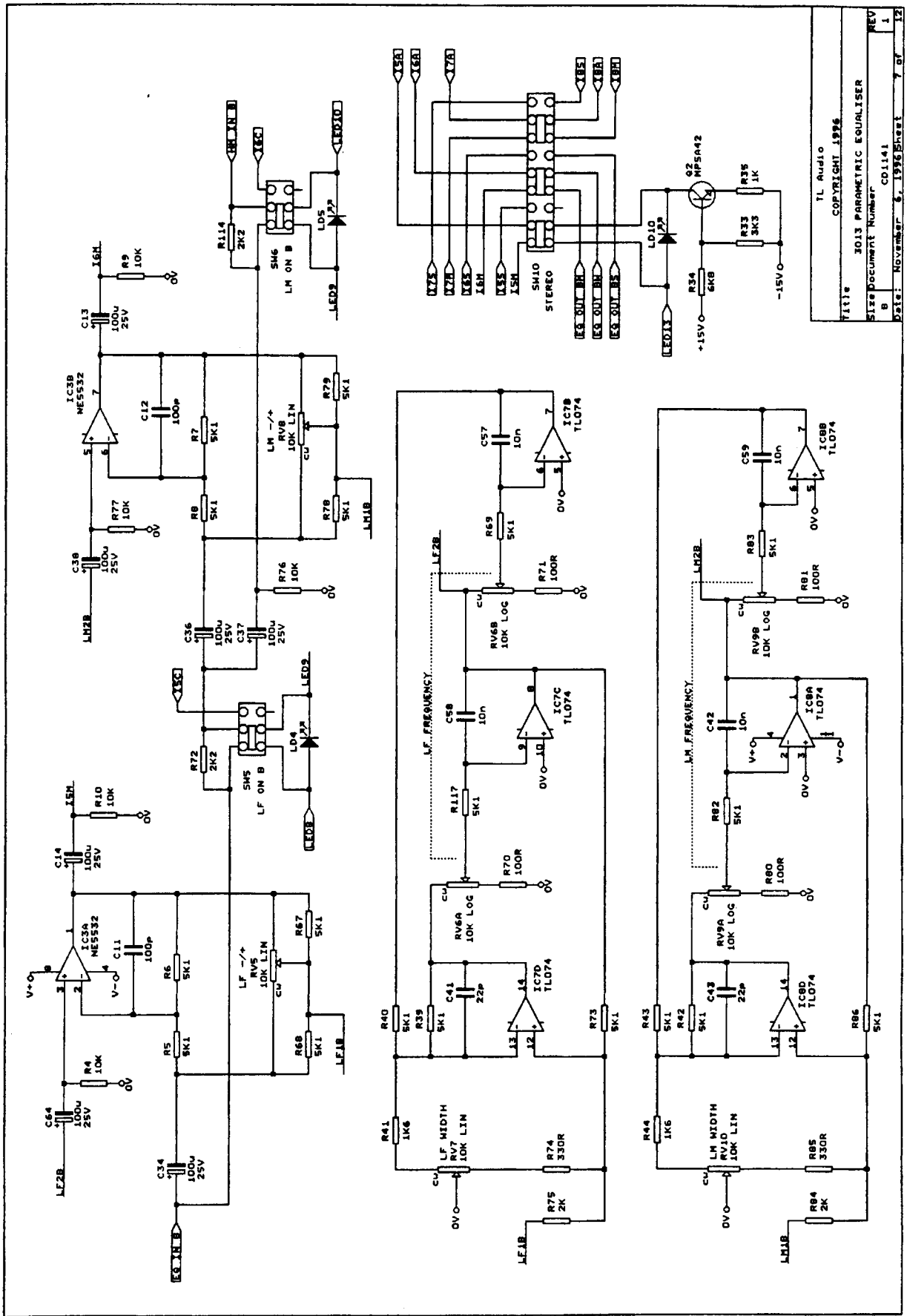
TL Audio  
 COPYRIGHT 1996  
 3013 PARAMETRIC EQUALISER  
 Size Document Number CD1141  
 REV 1  
 Date: November 5, 1996 Sheet 4 of 12



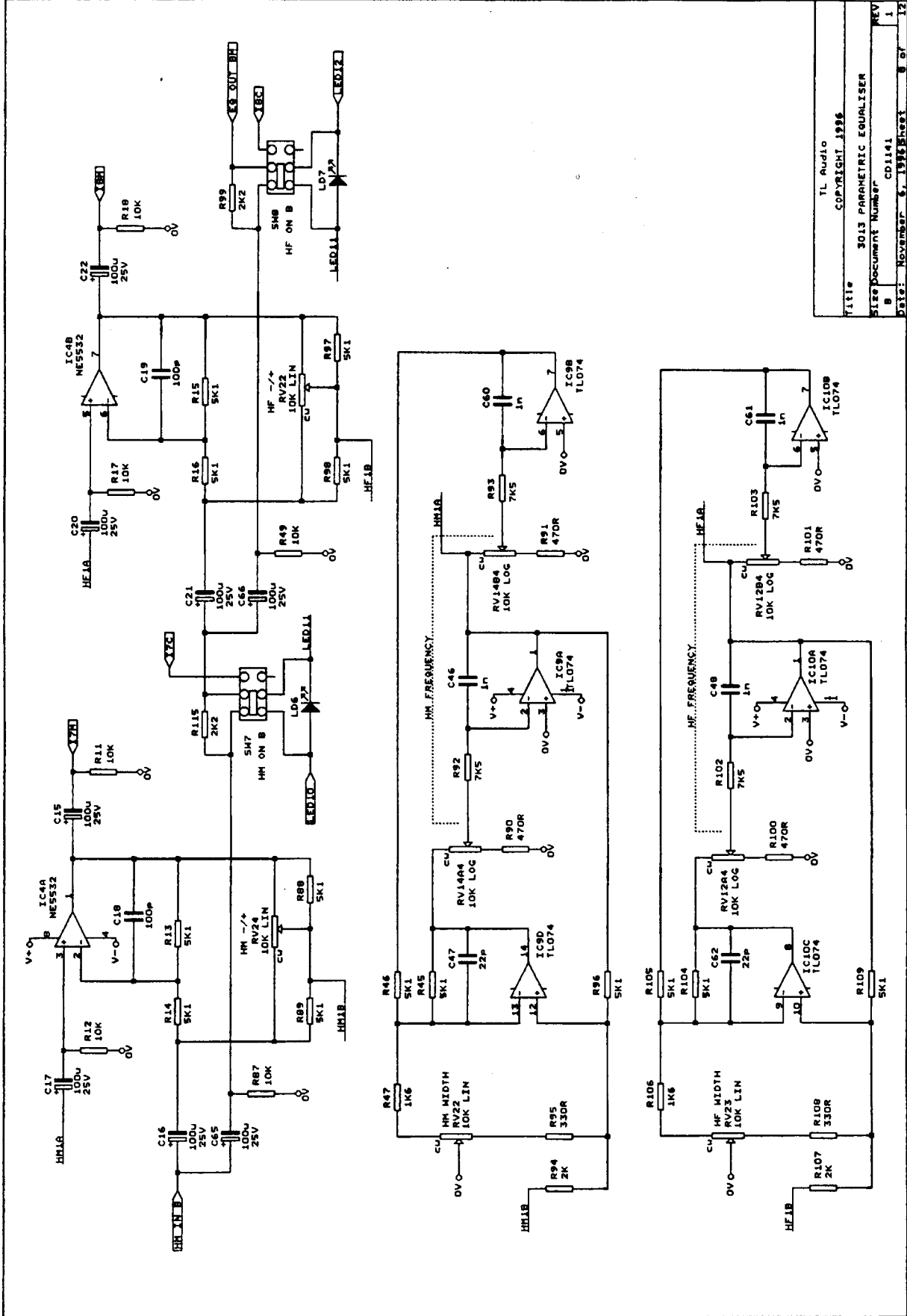
FILE	TL Audio
SIZE	COMPLIB1 1996
REV	3013 PARAMETRIC EQUALISER
REV	B
REV	3013 PARAMETRIC EQUALISER
REV	CD1141
REV	1
REV	1
DATE	December 12, 1996
REV	5 OF 12



TL Audio	
COPYRIGHT 1996	
Title 3013 PARAMETRIC EQUALISER	
Size Document Number	REV
B CD1141	1
Date: December 12, 1996	Sheet 6 of 12



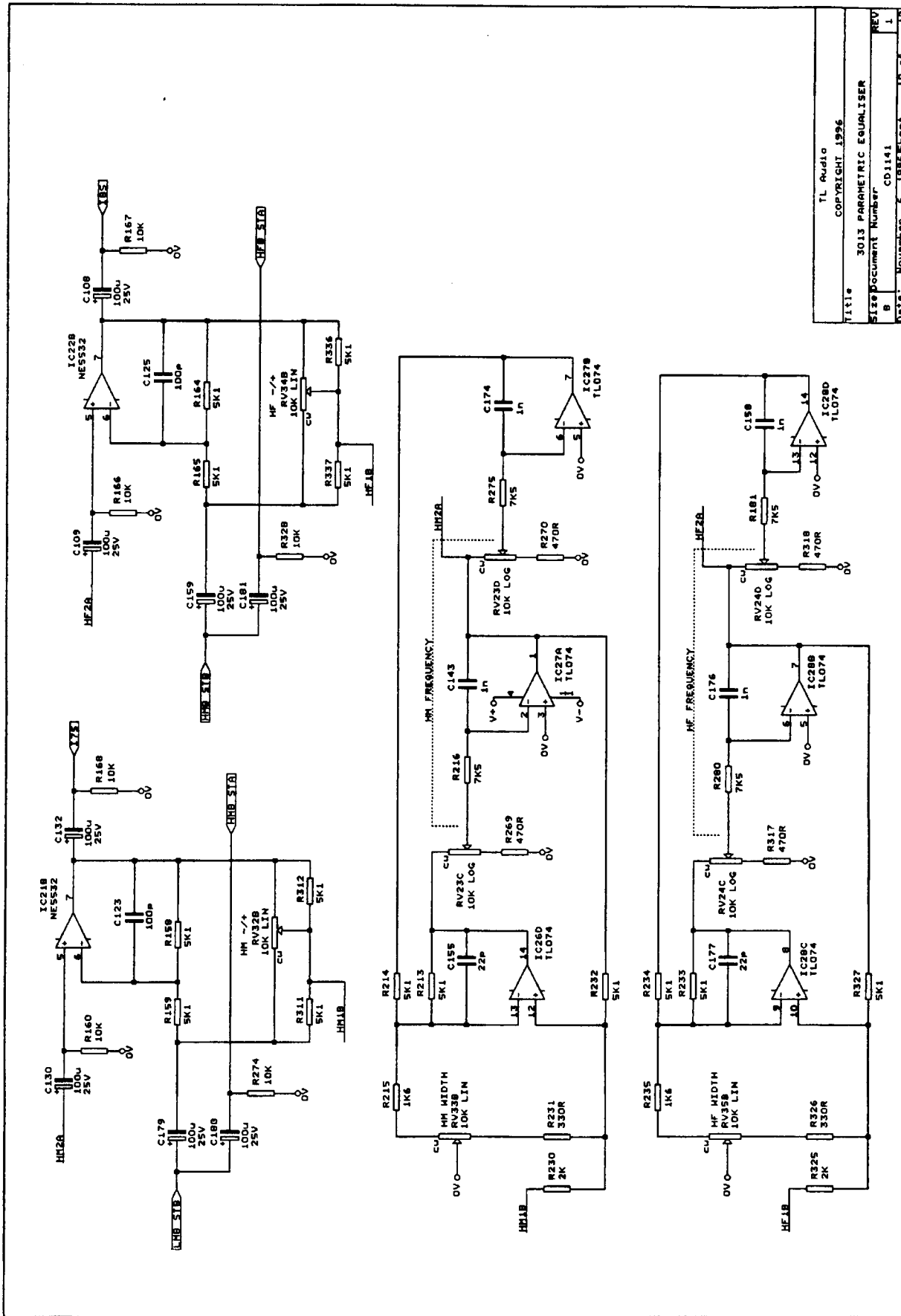
Title TL Audio  
 Copyright 1996  
 3013 PARAMETRIC EQUALISER  
 Size Document Number CD1141  
 8  
 Date: November 6, 1996 Sheet 7 of 12



Title: TL Audio  
 COPYRIGHT 1986  
 3013 PARAMETRIC EQUALISER  
 Size Document Number: CD1141  
 B 1  
 Date: November 8, 1986 Sheet 8 of 12

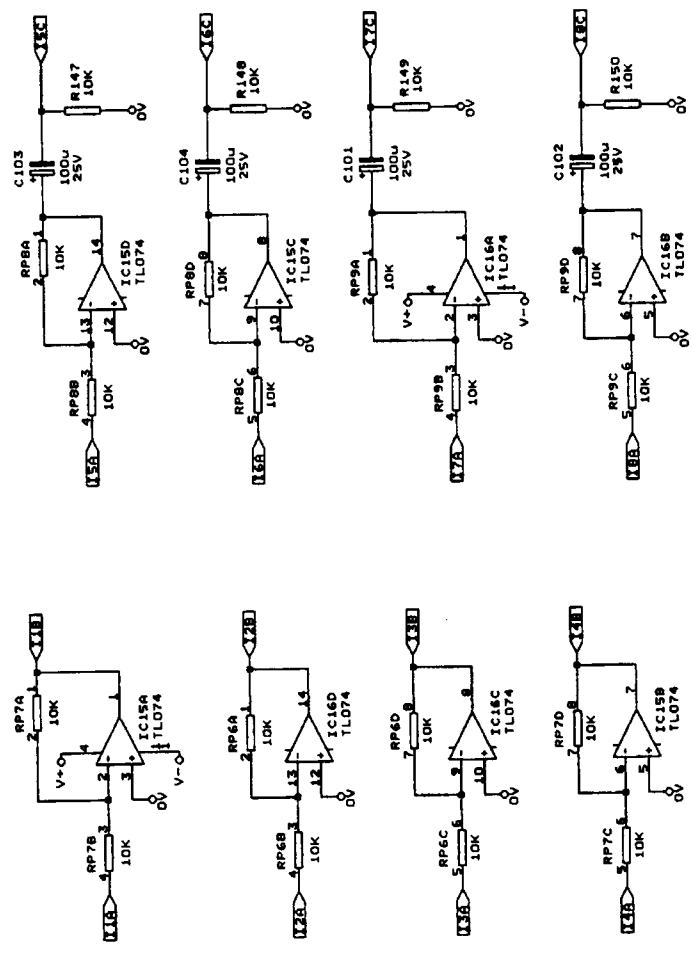






Title TL Audio  
 COPYRIGHT 1996  
 30.13 PARAMETRIC EQUALISER  
 Size Document Number CD1141  
 B  
 Date: November 6, 1995 Sheet 10 of 12





TL Audio	
Copyright 1986	
Title	30.13 PARAMETRIC EQUALISER
Size	Document Number
REV	01141
Date	November 6, 1986
Sheet	12 of 12